

Miele

Operating and installation instructions



Cooker hood DA 3360

To avoid the risk of accidents or damage to this appliance, it is **essential** to read these instructions before it is installed and used for the first time.

en - GB

M.-Nr. 09 190 840

Contents

Caring for the environment	3
Warning and Safety instructions	4
Guide to the appliance / Operation	10
Description of the functions	12
Cleaning and care	13
Housing	13
Grease filter	14
Fitting and replacing the charcoal filters	16
Changing a halogen lamp	17
After Sales Service	18
Appliance dimensions	19
Installation	20
Installation accessories	20
Positioning the appliance in the wall housing unit	23
Attaching the lightshield	26
Weight of a lightshield matching existing furniture	26
Aligning the deflector plate	27
Fitting the grease filter	27
Vent ducting	28
Setting up for recirculation mode	29
Electrical connection	29
Connection for air extraction	30
Condensate trap	31
Silencer	32
Electrical connection	33
Technical data	34

Disposal of the packing material

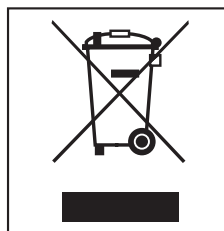
The packaging is designed to protect the appliance from damage during transportation. The packaging materials used are selected from materials which are environmentally friendly for disposal, and should be recycled.

Recycling packaging reduces the use of raw materials in the manufacturing process and also reduces the amount of waste in landfill sites.

Packaging e.g. cling film, polystyrene and plastic wrappings must be kept out of the reach of babies and young children. Danger of suffocation!

Disposal of your old appliance

Electrical and electronic appliances often contain valuable materials. They also contain materials which, if handled or disposed of incorrectly, could be potentially hazardous to human health and to the environment. They are, however, essential for the correct functioning of your appliance. Please do not therefore dispose of it with your household waste.



Please dispose of it at your local community waste collection / recycling centre or contact your dealer for advice. Ensure that it presents no danger to children while being stored for disposal.

Warning and Safety instructions

This appliance complies with all relevant local and national safety requirements. Inappropriate use can, however, lead to personal injury and damage to property.

To avoid the risk of accidents and damage to the appliance, please read these instructions carefully before using it for the first time. They contain important information on the safety, installation, use and maintenance of the appliance.

Keep these instructions in a safe place and ensure that all users are familiar with the contents. Pass them on to any future owner of the appliance.

Correct application

► This appliance is intended for use in domestic households and in similar working and residential environments such as:

- Shops
- Offices and showrooms

and by residents in establishments such as:

- Hostels and guest houses.

► It must only be used as a domestic appliance to extract vapours and remove odours from cooking.

► Any other usage is not supported by the manufacturer and could be dangerous. Miele cannot be held liable for damage resulting from incorrect or improper use or operation.

► The cooker hood is not intended for outdoor use.

► This appliance can only be used by people with reduced physical, sensory or mental capabilities, or lack of experience or knowledge, if they are supervised whilst using it or have been shown how to use it in a safe way and understand the hazards involved.

Safety with children

► This appliance is not a toy! To prevent the risk of injury do not let children play with the appliance or its controls.

► Children under 8 years of age must be kept away from the cooker hood unless they are constantly supervised.

► Children 8 years and older may use the cooker hood only if they have been shown how to use it in a safe way and understand the hazards involved.

► Please be aware that on cooker hoods with halogen lighting, the lamps will get very hot during use and remain hot for some time after switching off. To safeguard against burning, keep children well away from the lamps at all times.

Technical safety

► Before installation, check the cooker hood for visible signs of damage. Under no circumstances should you use a damaged appliance. It could be dangerous.

► Before connecting the appliance to the mains supply, make sure that the voltage and frequency details given on the data plate correspond with the household electricity supply, otherwise the appliance could be damaged. Consult a qualified electrician if in any doubt.

► The electrical safety of this appliance can only be guaranteed when correctly earthed. It is most important that this basic safety requirement is observed and tested regularly, and where there is any doubt, the household wiring system should be inspected by a qualified electrician. The manufacturer cannot be held liable for the consequences of an inadequate earthing system (e.g. electric shock).

► For safety reasons, this appliance may only be used when it has been fully installed.

► Only open the housing as described in the instructions given in the installation sheet and in the Cleaning and care section of this booklet. Under no circumstances should any other parts of the housing be opened. Tampering with electrical connections or components and mechanical parts is highly dangerous to the user, and can cause operational faults.

► Installation, maintenance and repairs may only be carried out by a Miele authorised person in accordance with current national and local safety regulations.

Repairs and other work by unqualified persons could be dangerous. The manufacturer cannot be held liable for unauthorised work.

► Faulty components must only be replaced by genuine Miele original parts. The manufacturer can only guarantee the safety of the appliance when Miele replacement parts are used.

► During installation, maintenance and repair work, the appliance must be disconnected from the mains electricity supply.

Warning and Safety instructions

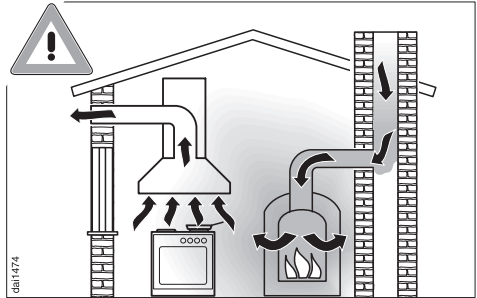
▶ Do not connect the appliance to the mains electricity supply by a multi-socket adapter or an extension lead. These do not guarantee the required safety of the appliance (e.g. danger of overheating).

▶ This appliance must not be used in a non-stationary location (e.g. on a ship).

▶ In areas which may be subject to infestation by cockroaches or other vermin, pay particular attention to keeping the appliance and its surroundings in a clean condition at all times. Any damage which may be caused by cockroaches or other vermin will not be covered by the guarantee.

Using at the same time as other heating appliances that depend on the air from the room

Warning - danger of toxic fumes



▶ Great care should be taken when using the cooker hood at the same time and in the same room or area of the house as another heating appliance which depends on the air in the room. Such appliances include gas, oil, wood or coal-fired boilers and heaters, continuous flow or other water heaters, gas hobs, cookers or ovens which draw air in from the room and duct exhaust gases out through a chimney or extraction ducting.

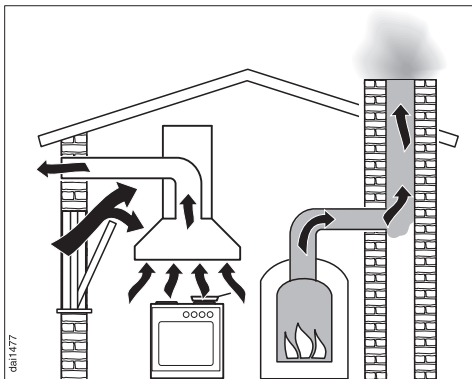
When used in extraction mode, the appliance draws air in from the room in which it is installed **and** from neighbouring rooms.

If there is insufficient air, an underpressure will occur. The heating appliance may be starved of oxygen, impairing combustion.


Harmful gases could be drawn out of the chimney or extraction ducting back into the room, with potentially fatal consequences.

Warning and Safety instructions

In order to ensure safe operation, and to prevent gases given off by the heating appliances from being drawn back into the room when the cooker hood and the heater are in operation simultaneously, an underpressure of 0.04 mbar (4 pa) is the maximum permissible in the room.



Ventilation can be maintained by air inlets which must not be blocked, in windows, doors and outside wall vents, or by other technical measures, such as ensuring that the cooker hood can only be switched on when the heating appliance is switched off or vice versa. A ventilation brick alone is not generally sufficient to ensure safe ventilation.

 The overall ventilation condition of the dwelling must be taken into account. If in any doubt, the advice of a competent builder or, for gas, a qualified gas fitter (GasSafe registered in the UK) must be sought.

If the hood is being operated in recirculation mode, the above restrictions do not apply.

Warning and Safety instructions

Correct use

▶ Do not use an open flame beneath the cooker hood. To avoid the danger of fire, do not flambé or grill over an open flame.

When switched on, the cooker hood could draw flames into the filter. Fat particles drawn into the cooker hood present a fire hazard.

▶ When using the cooker hood over a gas hob, ensure that any burners in use are always covered by a pan. Switch the cooking zone off when a pan is removed, even for a short time.

Regulate the flame so that it does not burn up the sides of the pan.

Do not allow the pans to overheat excessively (e.g. when using a wok).

The cooker hood can become damaged when exposed to excessive heat.

▶ Always switch the cooker hood on when a cooking zone is in use, otherwise condensation may collect in the hood, which could cause corrosion.

▶ When cooking with oil or fat, chip pans and deep fat fryers etc, do not leave the pans unattended. Never leave an open grill unattended when grilling. Overheated oil and fat can ignite and could set the cooker hood on fire.

▶ Do not use the cooker hood without the filters in place. This way you will avoid the risk of grease and dirt getting into the appliance and hindering its smooth operation.

▶ The filters should be regularly cleaned or changed as appropriate. Saturated filters are a fire hazard. See "Cleaning and care".

▶ The cooker hood can get very hot during cooking due to heat rising from the hob.

Do not touch the housing or the grease filters until the cooker hood has cooled down.

▶ Do not use a steam-cleaner to clean this appliance. Steam could reach electrical components and cause a short circuit.

Correct installation

▶ Refer to the cooker or hob manufacturer's instructions as to whether a cooker hood may be operated above the cooker/hob.

▶ The minimum safety distances between the top of the cooker or hob and the bottom of the cooker hood given in the "Appliance dimensions" section of this booklet must be maintained, unless the hob manufacturer states that a greater safety distance is required.

If more than one cooking appliance is fitted beneath the cooker hood, and they have different minimum safety distances to the cooker hood, select the greater distance.

▶ Follow the cooker or hob manufacturer's instructions on the use of flammable materials over the cooker/hob when installing a wood or laminate lightshield onto the cooker hood.

▶ Safety regulations prohibit the fitting of a cooker hood over solid fuel stoves.

▶ All ducting, pipework and fittings must be of non-flammable material. These can be obtained from the Miele Spare Parts department or from builders' merchants.

▶ The appliance must not be connected to a chimney or vent flue which is in use. Neither should it be connected to ducting which ventilates rooms with fireplaces.

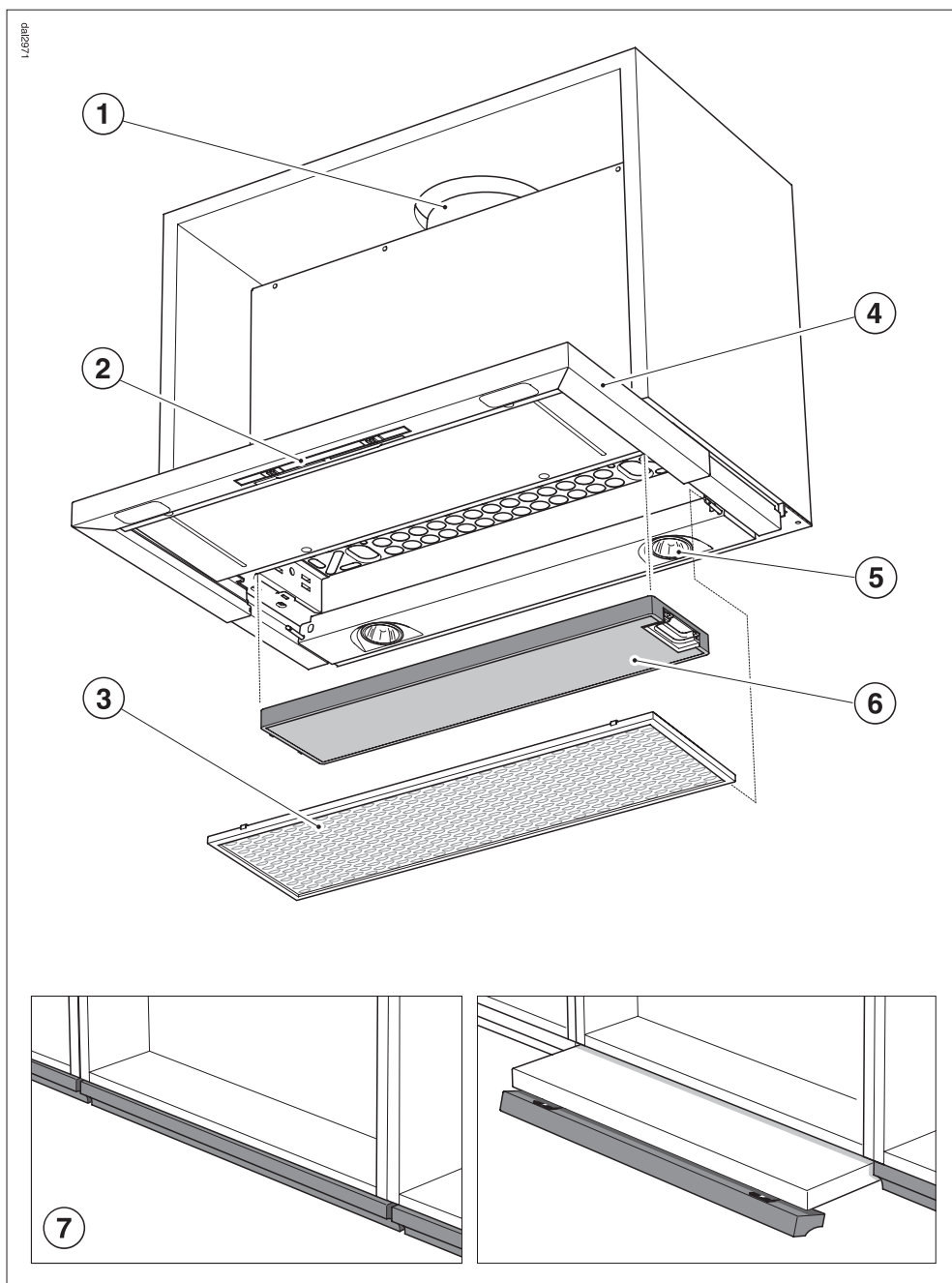
▶ If exhaust air is to be extracted into a chimney or ventilation duct no longer used for other purposes, seek professional advice.

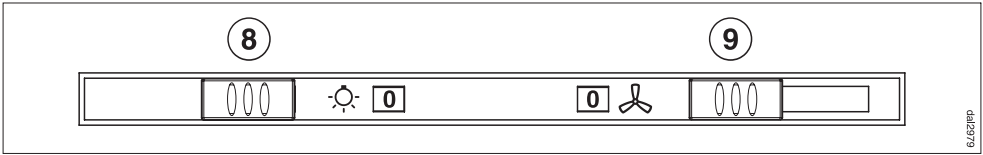
Accessories

▶ Only use genuine Miele spare parts and accessories with this appliance. If spare parts or accessories from other manufacturers are used, this will invalidate the guarantee, and Miele cannot accept liability.

The manufacturer cannot be held liable for damage caused by non-compliance with these Warning and Safety instructions.

Guide to the appliance / Operation





① Exhaust socket

Ø 150 mm

② Controls

③ Grease filter

④ Pull-out deflector plate

⑤ Hob lighting

⑥ Charcoal filter

(extra accessory available to order for recirculation mode)

⑦ Drop-down front panel

A lightshield to match your kitchen furniture may be fitted instead of this panel.

⑧ Hob lighting switch

The hob lighting can be switched on and off independently of the fan.

⑨ Fan switch

- To switch the fan on, pull out the deflector plate.
- Set the sliding switch for the fan to the required power level.

Depending on the intensity of the cooking vapours, levels "1" to "3" are usually sufficient for normal cooking.

For short periods of strong vapours and cooking odours, e.g. whilst searing meat, select the **Intensive setting "IS"**. Pull the deflector plate out to its full extent to gain maximum extraction whilst avoiding excessive noise levels.

It is advisable to run the fan for a few minutes after cooking has finished to neutralise any lingering odours in the air, whether you are using air extraction or recirculation mode.

To switch the fan off

- Set the fan switch to position "0".
- or
- Push the deflector plate back in. The next time the deflector plate is pulled out the cooker hood will operate at the power level it was previously at.

Description of the functions

The cooker hood works with

. . . air extraction:

The air is drawn in, cleaned by the grease filter and then directed outside.

If the on-site ventilation system does not have a **non-return flap**, then the non-return flap supplied with the appliance must be fitted in the exhaust socket in the motor unit.

Having a non-return flap fitted in the ducting ensures that air, once ducted to the outside, cannot get back into the room again.

The flap is closed when the cooker hood is switched off.

When the cooker hood is switched on, the non-return flap opens for the cooking vapours to be blown directly outside.


. . . air recirculation:


(air recirculation conversion kit required)

The air is drawn in and cleaned first by the grease filter and then by a **charcoal filter**. The cleaned air is then recirculated back into the kitchen.

Charcoal filters are available to order through your Dealer / Chartered Agent or the Miele Spare Parts Department or via the internet at www.miele-shop.com. (See back cover for contact details and "Technical Data" for model number).

Before using the cooker hood in recirculation mode, ensure that the charcoal filter is in place; see "Cleaning and care".

 Before any cleaning or maintenance work is carried out, disconnect the cooker hood from the mains supply.

 Exercise caution when changing halogen lamps. They get very hot during use and remain hot for some time after being switched off. The hot lamps are also susceptible to damage from damp cleaning. Wait a few minutes after switching off before commencing cleaning.

Housing

General

The surfaces and controls are susceptible to scratches and abrasion. Please observe the following cleaning instructions.

- All external surfaces and controls can be cleaned using a Miele E-Cloth or with warm water and a little washing-up liquid applied with a well wrung-out soft sponge or cloth.
- Wipe the surfaces dry using a soft cloth.

Do not use too much water when cleaning the controls. Water could penetrate into the electronics and cause damage.

Avoid:

- cleaning agents containing soda, acids, chlorides or solvents,
- abrasive cleaning agents, e.g. powder cleaners or cream cleaners and abrasive sponges, as well as pot scourers or sponges which have been used previously with abrasive cleaning agents. These will damage the surface material.

Important for appliances with stainless steel housing

(This information does not apply to the controls).

Stainless steel surfaces can be cleaned using the Miele E-Cloth or with a suitable, non-abrasive, proprietary cleaning agent for stainless steel, following the manufacturer's instructions on the packaging.

To help prevent re-soiling, Miele conditioning agent for stainless steel can also be used. Follow the instructions on the packaging.

Cleaning and care

Controls

The controls may suffer discolouration or damage if soiling is left on them for too long. Remove soiling straight away.


Observe the General notes on cleaning earlier in this section.

Do not use stainless steel cleaning agent on the controls.

Grease filter

The re-usable metal grease filter in the appliance removes solid particles from the kitchen vapours (grease, dust, etc) preventing soiling of the cooker hood.

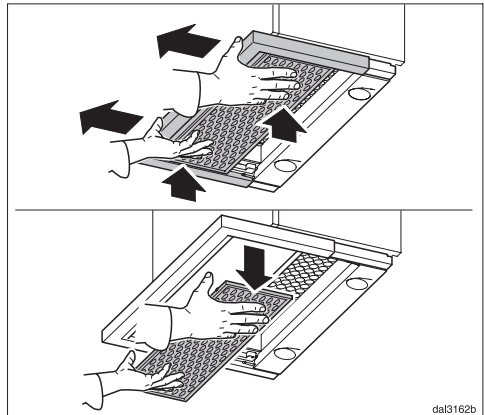
To avoid a build-up of fat, it should be cleaned every 3-4 weeks on average, but sooner if necessary.

 An oversaturated filter is a fire hazard.



When removing the grease filter do not tilt it downwards at an angle.

- Push the deflector plate in.



- Then grip the front of the deflector plate and hold the grease filter securely. Whilst holding the grease filter pull the deflector plate out as illustrated above.
- Then lower the filter downwards and off.

To avoid damaging the filter or the hob below, make sure you hold the filter securely at all times when handling it.

- Switch off the fan.

Cleaning the grease filter by hand

- Clean the filter with a soft nylon brush in a mild solution of hot water and a little washing-up liquid.

Do not use "neat" washing-up liquid.

Do not use:

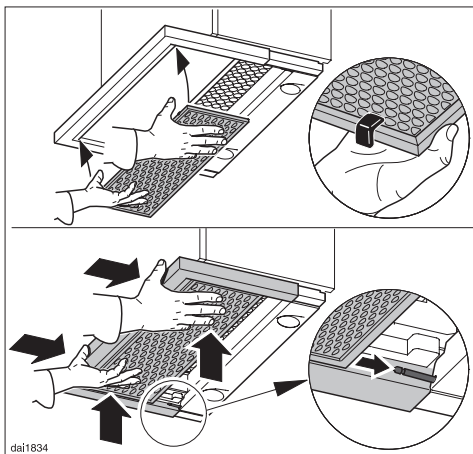
- cleaning agents containing descaling agents,
- powder cleaners, cream cleaners or abrasive all-purpose cleaners.
- oven sprays.

Cleaning the grease filter in the dishwasher

- Place the filter as upright as possible in the lower basket, with the short sides upright. Make sure that the spray arm can move freely.
- Select a programme with a maximum temperature of 65° C. If a Miele dishwasher is being used, select the Sensor wash programme.
- Use a mild dishwasher detergent.

Depending on dishwasher detergent used, cleaning the filters in a dishwasher can cause permanent discolouration to the surface. However, this will not affect the functioning of the filters in any way.

- After cleaning, leave the filter to dry for a while on an absorbent surface before putting it back in place.
- When removing the filter for cleaning, also clean off any residues of oil or fat from the now accessible housing to prevent the risk of these catching fire.



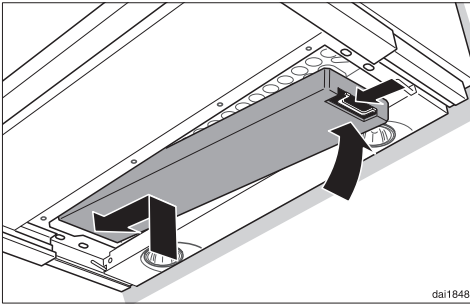
- When putting it back, make sure that the **red plastic guides** are at the front and facing upwards.
- Fit the grease filter in the front of the deflector plate, press it upwards and push it in together with the deflector plate. It will slide onto the fixing pins at the back. Finally, push the grease filter back a little more.

Cleaning and care

Fitting and replacing the charcoal filters

If the cooker hood is connected for recirculation, a charcoal filter (optional accessory) must be inserted in addition to the grease filter.

This is designed to absorb cooking smells.



It is fitted in the canopy above the grease filter.

Replacement charcoal filters can be obtained from your dealer, Miele or via the internet at www.miele-shop.com. See back cover for contact details, and "Technical data" for type and reference number.


Follow the instructions supplied with the charcoal filter when fitting it.

Replace the charcoal filter at least every six months or more frequently if necessary.

Used charcoal filters can be disposed of with the normal household waste.

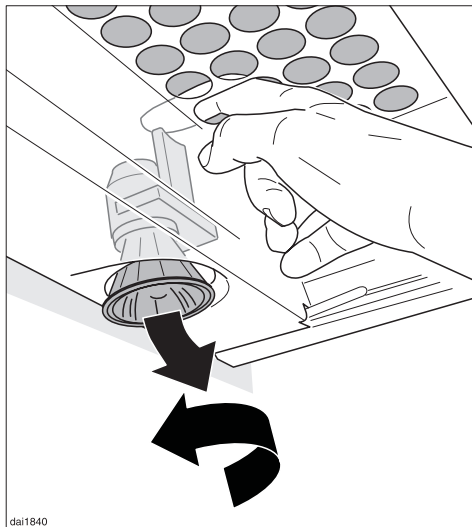
Changing a halogen lamp

- Pull out the deflector plate, and remove the grease filter as described earlier.
- Switch off the fan and the lighting.

 Exercise caution when changing halogen lamps. They get very hot during use, and remain hot for some time after being switched off. Do not touch the surface directly when changing a lamp, as grease particles from your fingers will adhere to the surface and damage it. Please follow the manufacturer's instructions.

- Remove the charcoal filter if the cooker hood is being used in recirculation mode.

Before any cleaning or maintenance work, disconnect the cooker hood from the mains supply.



- Push down the lighting unit slightly via the opening in the safety panel.
- The halogen lamp is now accessible to be unscrewed anti-clockwise.
- Replace it with a new halogen lamp (specification: GU/GZ 10, 230 V, 50 W). Screw the lamp into the socket and push it upwards. Please follow the manufacturer's instructions.
- Replace the grease filter and, if being used in recirculation mode, the charcoal filter.

After Sales Service

In the event of a fault which you cannot correct yourself, or if the appliance is under guarantee, please contact:

- Your Miele Dealer / Chartered Agent
- or
- The Miele Service Department (see back cover for address).

When contacting your Dealer or Miele, please quote the model and serial number of your appliance. These are shown on the data plate which is visible when the grease filter is removed.

For the U.K.: Please note that telephone calls may be monitored and recorded for training purposes.

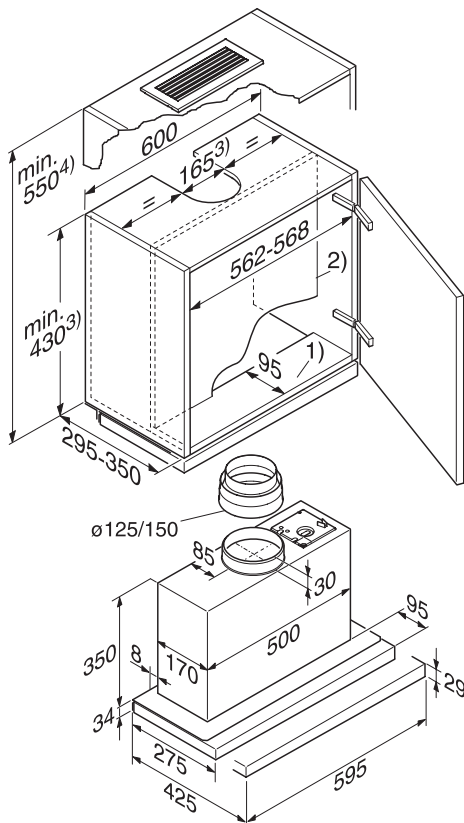
N.B. A call-out charge will be applied for service visits where the problem could have been resolved as described in these instructions.

Guarantee

For information on the appliance guarantee specific to your country please contact Miele. See back cover for contact details.

In the U.K. your appliance is guaranteed for 2 years from the date of purchase. However, you must activate your cover by calling 0845 365 6640 or registering online at www.miele.co.uk

Appliance dimensions



4) Recirculation mode requires installation kit DUU 151.

Safety distance between hob and cooker hood

The following distance must be maintained between the top of the cooker/hob and the bottom of the cooker hood unless a greater distance is specified by the manufacturer of the cooker or hob:

above electric hobs and cookers
450 mm
above electric barbecue grilles and deep fat fryers
650 mm
above gas hobs and cookers
650 mm

If this cooker hood is installed above a Miele Wok CS 1028 CombiSet appliance, a minimum safety distance of 760 mm must be maintained between the burner and the lower edge of the cooker hood.

See "Warning and Safety instructions" for further information.

1) The front section of the wall housing unit must be fitted with a shelf to the depth of the partition wall.

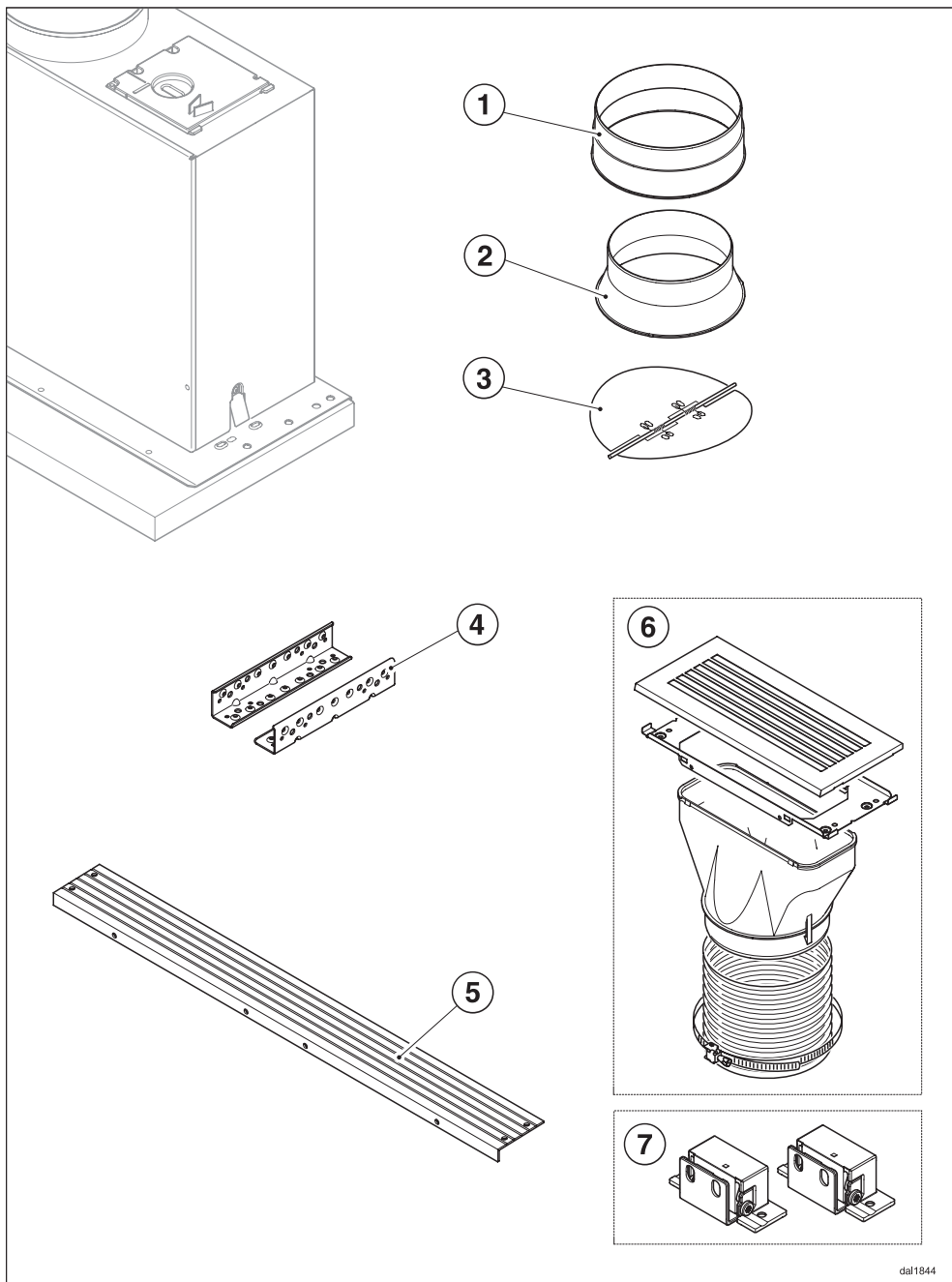
If the appliance is fitted further back, e.g. to accommodate a front panel, then the shelf depth should be correspondingly deeper.

2) The partition wall in the wall unit must be removable.

3) In extraction mode: when measuring for the height of the wall housing unit and the cut-out, account must be taken of any accessories fitted, e.g. a silencer.

Installation

Installation accessories



dal1844

- ① **1 exhaust socket**
for exhaust ducting \varnothing 150 mm.
- ② **1 reducing collar**
for \varnothing 125 mm exhaust ducting.
- ③ **1 non-return flap**
for fitting into the exhaust socket (for air extraction mode only).
- ④ **2 brackets**
to support the appliance in the wall unit.
- ⑤ **1 spacer strip**
to conceal the gap between the rear of the appliance and the wall.
- ⑥ **Conversion kit for recirculation mode**
contains exhaust grille and flexible aluminium hose with clips (this is not included, but is available as an optional extra - see Technical Data).
- ⑦ **DML 400 installation kit**
(optional accessory)
contains hinging and screws for fixing a lightshield to match kitchen furniture (lightshield not supplied with cooker hood)



12 screws 4 x 15 mm

for securing the cooker hood into the wall unit.



8 screws M4 x 12 mm

for securing the cooker hood to the brackets.

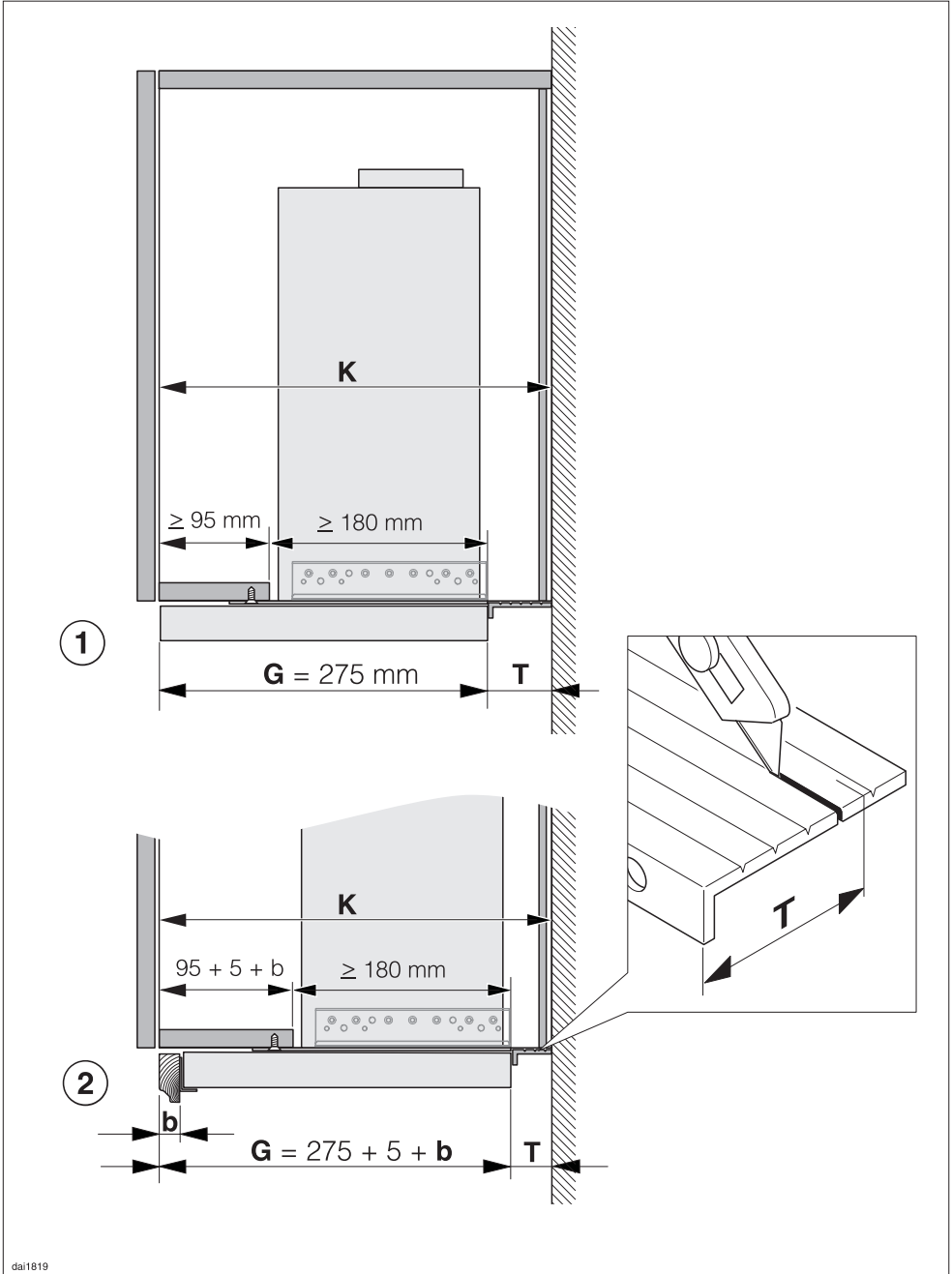
4 of the screws can be used instead of the plastic rivets to secure the spacer strip.



4 plastic rivets

for securing the spacer strip to the back of the appliance.

Installation



Positioning the appliance in the wall housing unit

To position the appliance correctly, cut the spacer strip to required depth **T**, and then attach it to the back of the appliance.

T = Depth of carcass **K** minus depth of appliance **G**

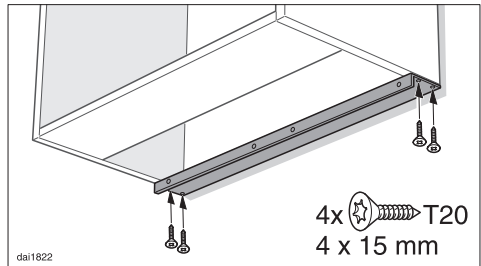
- Example ① shows the installation without a front panel fitted and with the front edge of the deflector plate flush with the front edge of the furniture housing unit. This installation needs a shelf of at least 95 mm deep.
- Example ② shows the installation with a front panel to match the kitchen furniture. This installation requires dimension **b** for the front panel plus 5 mm for the DML 400 fixing kit to be added to the shelf dimension (95 mm + 5 mm + dimension **b**).

The remaining installation gap must be at least 180 mm in depth.

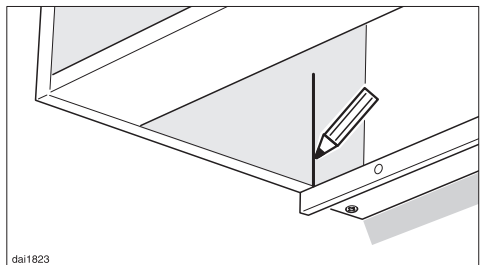
If it is less than 180 mm, position the appliance further back, and reduce measurement **T** accordingly.

The position of the deflector plate can be adjusted in depth by a maximum of 35 mm at the front.

- Cut the spacer strip supplied to measurement **T**. Score along the groove for the **smaller** measurement as shown, and remove the surplus.

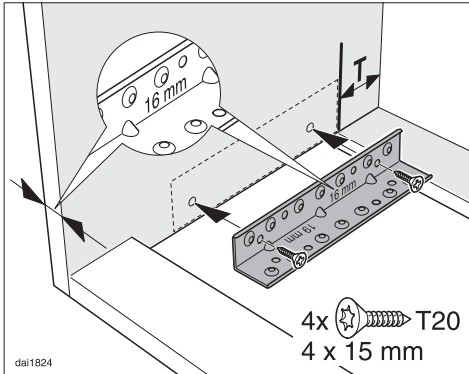


- Screw the spacer strip underneath the housing unit sides, flush with the rear wall.

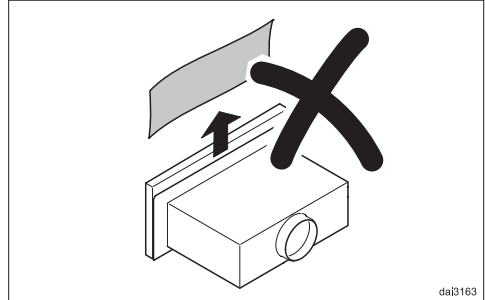


- Draw a vertical line up both inside walls of the housing from the front of the spacer strip.

Installation

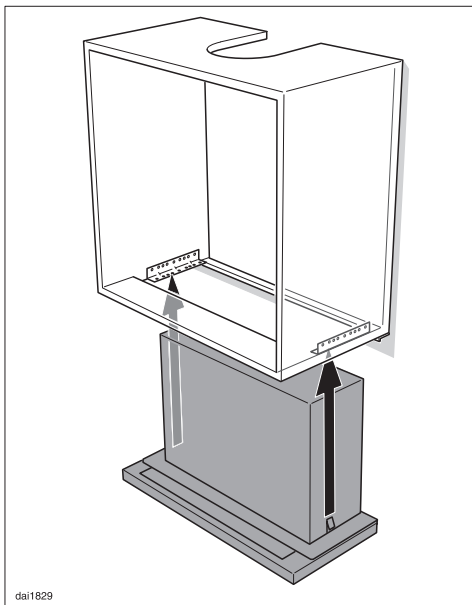


- Screw the brackets onto the right and left inside walls of the housing unit as shown. The back edge of the brackets should align with the vertical line drawn up from the front of the spacer strip, and the lower edge aligned with the lower edge of the housing unit side wall. The brackets are designed for 16 and 19 mm thick carcass sides. Orientate the bracket so that the vertical depth matches the thickness of the panel, as shown.

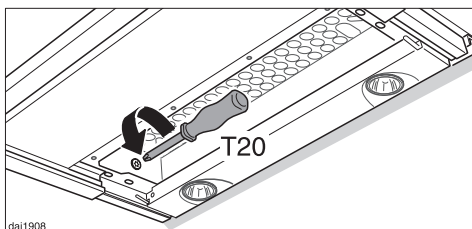


Do not remove the protective film between the deflector plate and the casing until the hood has been placed in the housing unit.

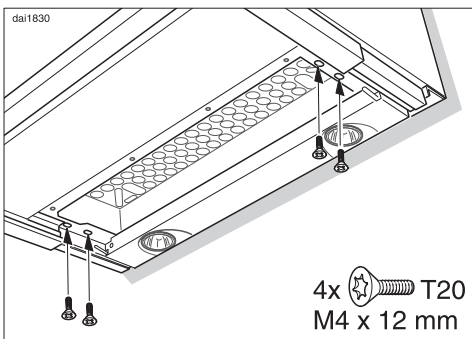
- Installation of the cooker hood is carried out without the grease filter fitted in position. If the grease filter has already been fitted, then remove it as follows before installing the cooker hood (see “Cleaning and care”).



- Lift the appliance up into the housing from below until it engages in the brackets.

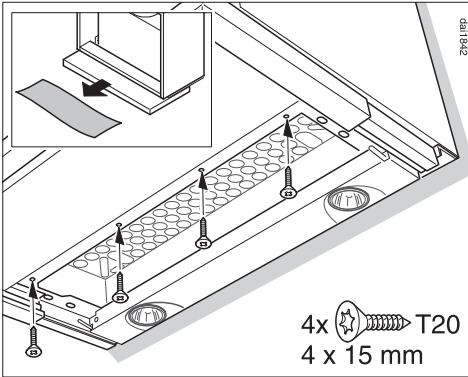


Note for dismantling the cooker hood: Undoing the screws on the left and right inside the housing releases the spring mounts, allowing the appliance to be removed from the unit.



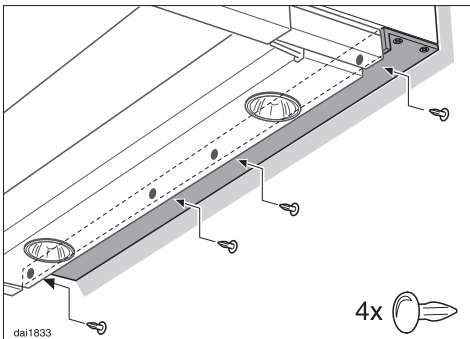
- Push the cooker hood back against the spacer strip.
- Pull out the deflector plate.
- Secure the appliance to the brackets using two screws on each side.

Installation



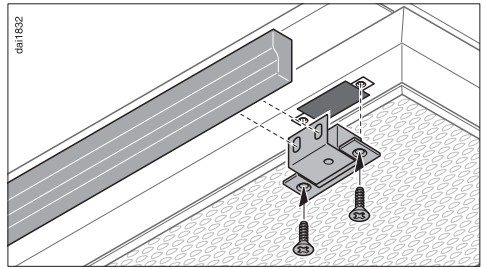
- Remove the protective film between the deflector plate and the casing.
- Secure the front of the appliance to the floor of the housing unit from below using 4 screws.

To avoid damaging the deflector plate when it is pulled out, care should be taken to screw the fixing screws in straight, and to ensure that the screwheads are countersunk.



- Secure the spacer strip to the back of the appliance from behind using 4 plastic rivets as shown.

Attaching the lightshield



- Attach the lightshield (if using).

A DML 400 installation kit, available as an optional accessory, is required for this.

Follow the installation instructions supplied.

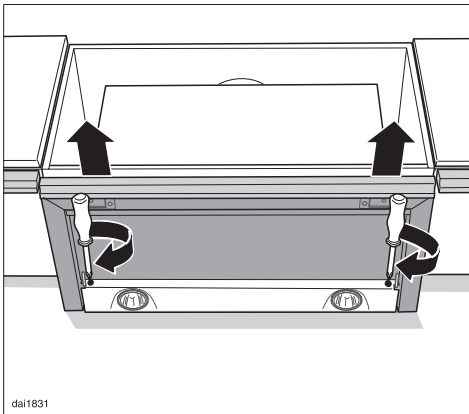
Weight of a lightshield matching existing furniture

The lightshield must not exceed 1300 g in weight.

This applies to lightshields with a depth of up to 30 mm.

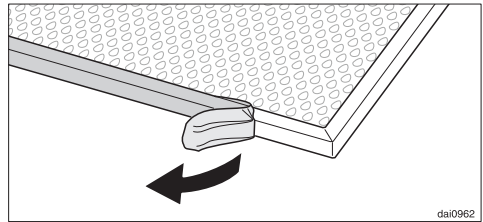
For larger or heavier lightshields, the weight must be reduced by e.g. machining it away at the back.

Aligning the deflector plate



- The position of the deflector plate can be brought forward by up to 35 mm using the adjusting screws on either side of the deflector plate. Align the deflector plate to the front of the kitchen furniture units on either side.

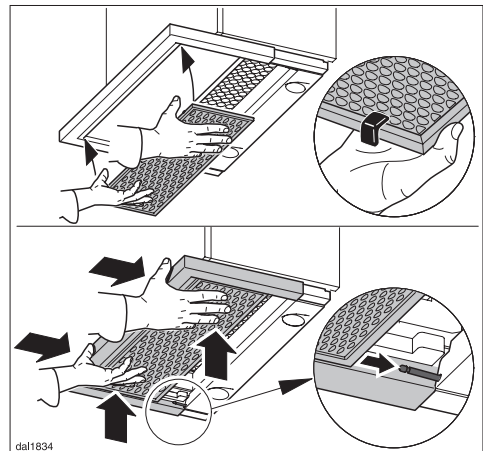
Fitting the grease filter



- Remove the protective strip around the edge of the grease filter.

Fit the grease filter.

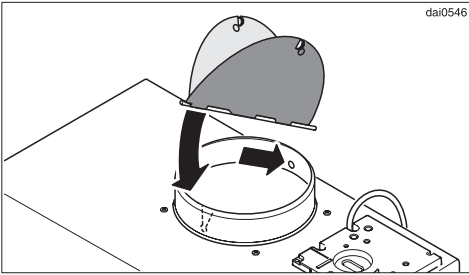
- To do this, pull the deflector plate out.



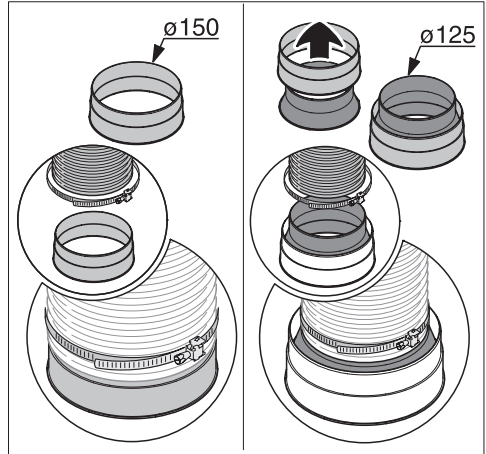
- Turn the grease filter so that the **red plastic guides** are at the front and facing upwards.
- Fit the grease filter in the front of the deflector plate, press it upwards and push it in together with the deflector plate. It will slide onto the fixing pins at the back. Finally, push the grease filter back a little more.

Installation

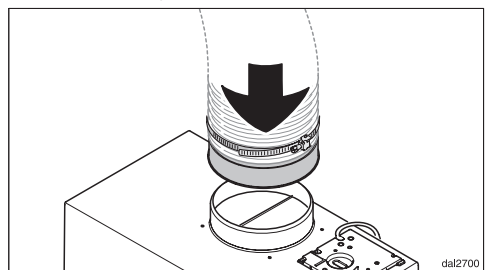
Vent ducting



- If the on-site ventilation system does not have a **non-return flap**, then the non-return flap supplied with the appliance must be fitted in the exhaust socket in the motor unit.



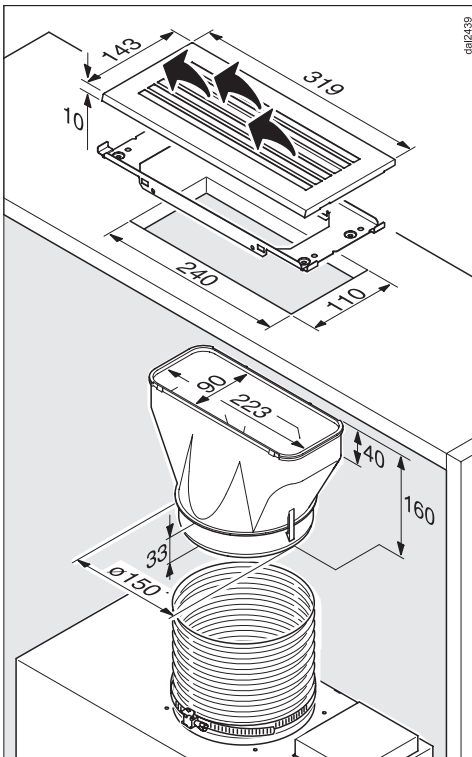
- When using $\text{Ø } 150$ mm ducting, secure the exhaust socket supplied to the exhaust ducting with hose clips.
- If using $\text{Ø } 125$ mm ducting, fit the reducing collar into the exhaust socket, and secure the exhaust ducting to the reducing collar with a hose clip. (See "Connection for air extraction").



- Place the exhaust ducting on the fan connection for the cooker hood.
- See "Connection for air extraction" for further instructions on fitting the ducting.

Setting up for recirculation mode

If site conditions are not suitable for the cooker hood to be used with air extraction, the appliance must be set up for recirculation.



For this, conversion kit DUU 151 (available from your Miele dealer or the Miele Spare Parts Department) is required.

You will also need a charcoal filter (see "Technical data").

- Fit the conversion kit as described in the installation instructions supplied with the kit.
- Make sure that the slats in the exhaust grille point towards the centre of the room and not towards a wall or the ceiling.

A non-return flap is not used in recirculation mode.

- Fit the charcoal filter (see "Cleaning and care").

Electrical connection

Refer to the notes in "Electrical connection" and "Warning and Safety instructions" before connecting to the electricity supply.

- Connect the appliance to the electricity supply.

Connection for air extraction

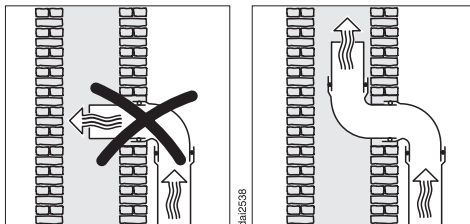
Important: To avoid the danger of toxic fumes, please observe the Warning and Safety instructions. This is especially crucial when using the cooker hood at the same time as another heating appliance which relies on air from the same room. The cooker hood should be installed according to local and national building regulations. Seek approval from the building inspector where necessary.

- Only use smooth pipes or flexible hoses made from non-flammable materials for the extraction ducting.

To achieve the greatest possible air extraction with the lowest noise level, please note the following:

- To ensure efficient air extraction, the diameter of the exhaust ducting should not be less than 150 mm.
- If flat ducting is being used, the cross-sectional area must not be smaller than the cross-sectional area of the exhaust connection.
- All ducting, pipework and fittings must be of non-flammable materials.
- The exhaust ducting should be as short and straight as possible.
- Only use wide radius bends.
- The exhaust ducting should not be kinked or compressed.
- Ensure that all connections are strong and airtight.

- Where ducting is horizontal, it must be laid to slope away at at least 1 cm per metre. This is to ensure that condensate cannot drain back into the cooker hood.
- If the exhaust air is to be ducted into the open air, the installation of a telescopic wall vent or roof vent (available as an optional accessory) is recommended.



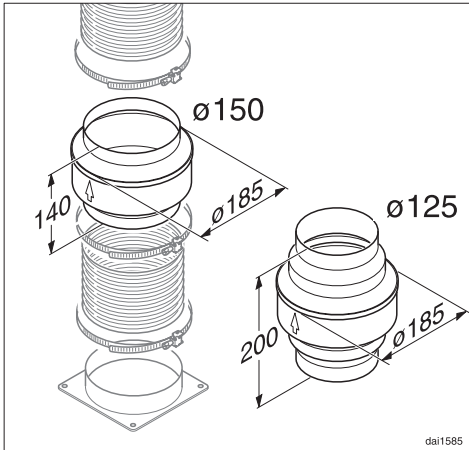
- If the exhaust air is to be ducted into a vent flue, the ducting must be directed in the flow direction of the flue.

Important:

If the exhaust ducting is to run through rooms, ceiling space etc. where there may be great variations in temperature between the different areas, the problem of condensation will need to be addressed. The exhaust ducting will need to be suitably insulated.

Condensate trap

(optional accessory)



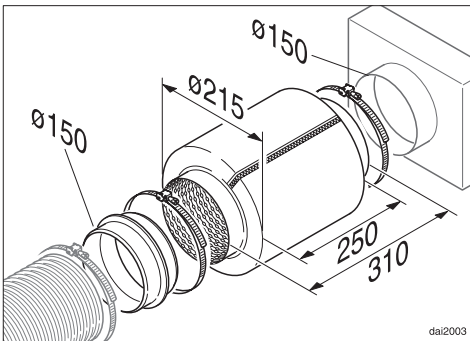
In addition to insulating the exhaust ducting, we recommend that a suitable condensate trap is also installed to collect and evaporate any condensate which may occur. Condensate traps are available for $\varnothing 125$ mm or $\varnothing 150$ mm ducting.

When installing a condensate trap, ensure that it is positioned vertically and if possible directly above the exhaust connection. The arrow on the housing indicates the direction of air-flow.

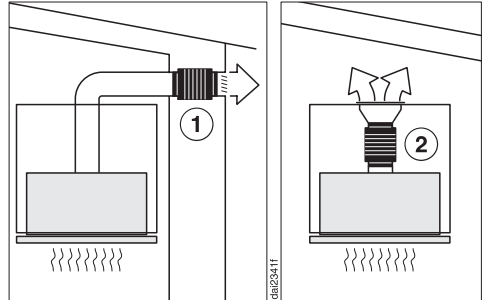
Connection for air extraction

Silencer

(optional accessory)



To achieve even further reductions in noise levels, a special silencer can be fitted in the ducting system.



...with air extraction:

The silencer not only reduces noise from the fan, but also sounds from outside (e.g. traffic noise). For this reason the silencer must be positioned as close as possible to where the ducting leaves the building ①.

...in recirculation mode:

The silencer needs to be positioned between the fan and the exhaust grille ②. Ensure there is adequate space for fitting it.

In all modes of operation, the most effective noise reductions are achieved if two silencers are fitted in the system.

All electrical work should be undertaken by a suitably qualified and competent person in strict accordance with current national and local safety regulations (BS 7671 in the UK).

Installation, repairs and other work by unqualified persons could be dangerous, for which the manufacturer cannot be held liable.

Ensure power is not supplied to the appliance until after installation or repair work has been carried out.

Do not connect the appliance to the mains electricity supply by an extension lead. These do not guarantee the required safety of the appliance.

The connection data is given on the data plate. This is visible when the grease filters have been removed. Ensure that this data matches the household mains supply.

Connection of this appliance should be made via a suitable isolator or a double pole fused spur connection unit which complies with national and local safety regulations and the On-Off switch should be easily accessible after the appliance has been built in. When switched off there must be an all-pole contact gap of 3 mm in the switch (including switch, fuses and relays according to EN 60335).

If the switch is not accessible after installation (depending on country), an additional means of disconnection must be provided for all poles.

For extra safety it is advisable to protect the appliance with a suitable residual current device (RCD). Contact a qualified electrician for advice.

Important

This appliance is supplied for connection to an a.c. 230 V single phase 50 Hz supply.

The wires in the mains lead are coloured in accordance with the following code:

Green/yellow	= earth
Blue	= neutral
Brown	= live

**WARNING:
THIS APPLIANCE MUST BE
EARTHED**

Technical data

Connected load 210 W
Fan motor 110 W
Hob lighting 2 x 50 W
Voltage 230 V
Frequency ~ 50 Hz
Fuse rating U.K. 3 A
Fuse rating (IRL). 10 A
AUS, NZ:
Plug rating 10 A
Test marks Electrical safety
. C-Tick Mark
Electrically suppressed
according to AS/NZS 1044
Electrical cable length 1.5 m
Weight. 12 kg

**Optional accessories for
recirculation mode:**
- Conversion Kit DUU 151
- Miele charcoal filter DKF 13-1

Fan performance

Extraction power according to EN
61591

Extraction system ø 150 mm:

Level I 150 m³/h
Level II 240 m³/h
Level III 320 m³/h
Intensive Setting 430 m³/h

Recirculation with charcoal filter:

Level I 80 m³/h
Level II 150 m³/h
Level III 200 m³/h
Intensive Setting 300 m³/h

United Kingdom

Miele Co. Ltd.
Fairacres, Marcham Road
Abingdon, Oxon, OX14 1TW
Tel: 0845 365 0555, Fax: 0845 365 0777
Customer Contact Centre Tel: 0845 365 6600
E-mail: info@miele.co.uk
Internet: www.miele.co.uk

Australia

Miele Australia Pty. Ltd.
ABN 96 005 635 398
1 Gilbert Park Drive, Knoxfield, VIC 3180
Tel: 1300 464 353, Fax: (03) 9764 7149
Internet: www.miele.com.au

China

Miele (Shanghai) Trading Ltd.
1-3 Floor, No. 82 Shi Men Yi Road
Jing' an District
200040 Shanghai, PRC
Tel: +86 21 6157 3500, Fax: +86 21 6157 3511
E-mail: mieleshanghai@cn.miele.com
Internet: www.miele.cn

Miele (Hong Kong) Limited

41/F - 4101, Manhattan Place
23 Wang Tai Road
Kowloon Bay
Hong Kong
Tel: (852) 2610 1331, Fax: (852) 2610 1013
Email: mielehk@miele.com.hk

India

Miele India Pvt. Ltd.
Ground Floor, Copia Corporate Suites
Plot No. 9, Jasola
New Delhi - 110025
Tel: 011-46 900 000, Fax: 011-46 900 001
E-mail: customercare@miele.in, Internet: www.miele.in

Ireland

Miele Ireland Ltd.
2024 Bianconi Avenue
Citywest Business Campus, Dublin 24
Tel: (01) 461 07 10, Fax: (01) 461 07 97
E-Mail: info@miele.ie, Internet: www.miele.ie

Manufacturer: Miele & Cie. KG

Carl-Miele-Straße 29, 33332 Gütersloh, Germany

Miele

Malaysia

Miele Sdn Bhd
Suite 12-2, Level 12
Menara SapuraKencana Petroleum
Solaris Dutamas No. 1, Jalan Dutamas 1
50480 Kuala Lumpur, Malaysia
Phone: +603-6209-0288
Fax: +603-6205-3768

New Zealand

Miele New Zealand Limited
Unit L, 10-20 Sylvia Park Road
Mt. Wellington, 1060, Auckland, NZ
Tel: 0800 264 353, Fax: 0800 463 453
Internet: www.miele.co.nz

Singapore

Miele Southeast Asia
Miele Pte. Ltd.
163 Penang Road
04 - 02/03 Winsland House II
Singapore 238463
Tel: +65 6735 1191, Fax: +65 6735 1161
E-Mail: infosea@miele.com.sg
Internet: www.miele.sg

South Africa

Miele (Pty) Ltd
63 Peter Place, Bryanston 2194
P.O. Box 69434, Bryanston 2021
Tel: (011) 875 9000, Fax: (011) 875 9035
E-mail: info@miele.co.za
Internet: www.miele.co.za

United Arab Emirates

Miele Appliances Ltd.
P.O. Box 11 47 82
Gold & Diamond Park
Sheikh Zayed Road
Building 6 / Offices Nos. 6-214 to 6-220
Dubai
Tel: +971-4-341 84 44
Fax: +971-4-341 88 52
E-Mail: info@miele.ae, Internet: www.miele.ae

Free Manuals Download Website

<http://myh66.com>

<http://usermanuals.us>

<http://www.somanuals.com>

<http://www.4manuals.cc>

<http://www.manual-lib.com>

<http://www.404manual.com>

<http://www.luxmanual.com>

<http://aubethermostatmanual.com>

Golf course search by state

<http://golfingnear.com>

Email search by domain

<http://emailbydomain.com>

Auto manuals search

<http://auto.somanuals.com>

TV manuals search

<http://tv.somanuals.com>