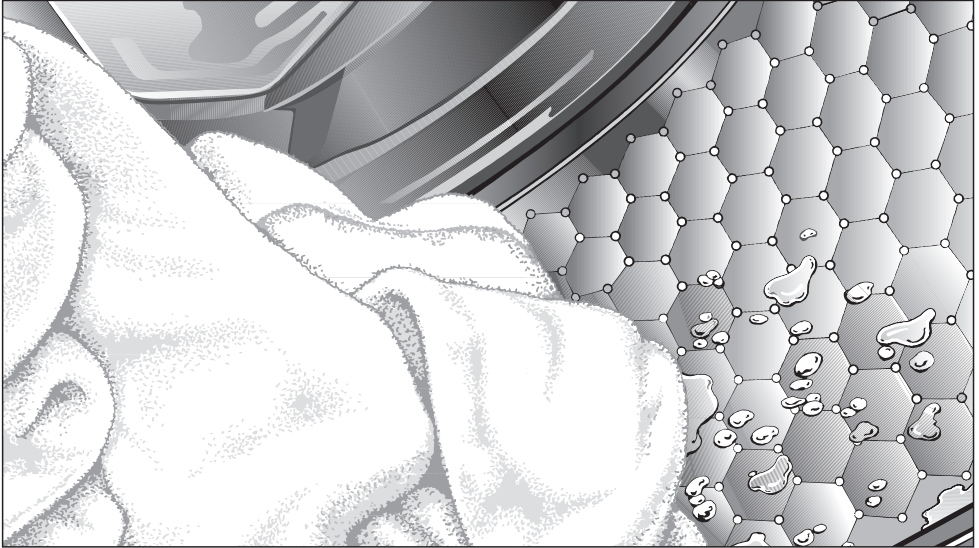


Operating instructions



for Washing machine W 2859i WPM SUPERTRONIC


To avoid the risk of accidents or damage to the machine it is **essential** to read these instructions before it is installed and used for the first time.

en - GB

M.-Nr. 09 088 750



Contents

Caring for our environment	6
Warning and Safety instructions	7
Operating the washing machine.	11
Control panel	11
Selector sensors	12
Optional programme packages.	13
Structure of the main menu	14
Miele@home	16
Before using for the first time	17
Calibrating the load sensor to zero	20
Washing environmentally and economically	21
1. Prepare the laundry	22
2. Select a programme.	23
Select a temperature / spin speed	23
Select an Extra option(s).	24
Stains	24
Start at / Finish at	25
Safety lock	26
3. Load the laundry	27
4. Add detergent.	28
5. Start the programme	29
Starting a programme.	29
Cancelling a programme	29
Interrupting a programme.	29
Adding or removing laundry after a programme has started	30
6. Programme end - unload the drum	31
Extra options	32
Favourite programmes	34

Spinning	36
Final spin speed	36
Rinse and interim spin	36
To omit the final spin (Rinse hold)	36
To omit the spin between rinses and the final spin	36
Programme chart	37
Garment care label symbols	41
Programme sequence	42
Detergent	44
The correct detergent	44
Water softeners	46
Washing with several components	46
Fabric conditioners and liquid starch	47
Automatic dispensing of fabric conditioner or liquid starch to laundry at the end of a programme	47
Adding fabric conditioner or starch separately	47
Colour run and dye removers/dyes	47
Cleaning and care	48
Cleaning the drum (Hygiene info)	48
External casing and fascia panel	48
Cleaning the detergent dispenser drawer	48
Cleaning the filter in the water inlet	50
Problem solving guide	51
The programme does not start	51
The following fault messages appear in the display and the programme stops. .	52
The following fault messages appear in the display at the end of the programme .	53
Problems with the load size indicator	54
General problems	55
An unsatisfactory wash result	56
The drum door cannot be opened by pressing the  button	57
Opening the drum door in the event of a blocked drain outlet and/or power failure	58

Contents

After sales service	61
Future updates (PC)	61
Appliance guarantee	61
Optional spare parts and accessories	61
Installation and connection	62
Front view	62
Rear view	63
Installation surface	64
Installing the washing machine	64
Removing the transit fittings	64
Re-fitting the transit bars	66
Levelling the machine	67
Screwing out and adjusting the feet	67
Building under a continuous worktop / in a kitchen run	68
Matching the fascia panel to the height of adjacent drawer fronts	69
Spacer bars	69
Removing the spacer bars	69
Fitting the front panel	70
Front panel dimensions	70
Fitting the front panel	70
Fitting a door front panel made by another manufacturer	71
Preparing the front panel	71
Preparing the fixing points	72
Fitting a plinth facing	73
The Miele water protection system	74
Connection to the water supply	75
Connection to the drainage system	76
Electrical connection U.K.	77
Consumption data	78
Notes for test institutes:	78
Technical data	79

Settings menu 	80
To open the Settings menu	80
To select a setting	80
Language 	80
Time	80
Gentle action	80
Longer pre-wash for Cottons	81
Suds cooling	81
Code	81
Temperature unit	82
Buzzer	82
Keypad tone	82
Brightness	82
Contrast	82
Display / keypad illumination	83
Memory	83
Anti-crease	83
Load sensor zero setting	83
To come out of the Settings menu	83
Optional accessories	84
CareCollection	84

Caring for our environment

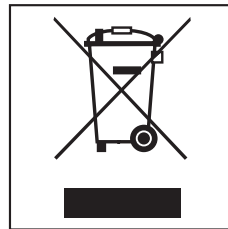
Disposal of the packing material

The transport and protective packing has been selected from materials which are environmentally friendly for disposal and should be recycled.

Ensure that any plastic wrappings, bags etc. are disposed of safely and kept out of the reach of babies and young children. Danger of suffocation!

Disposal of your old machine

Electrical and electronic machines often contain materials which, if handled or disposed of incorrectly, could be potentially hazardous to human health and to the environment. They are, however, essential for the correct functioning of your machine. Please do not therefore dispose of it with your household waste.



Please dispose of it at your local community waste collection / recycling centre or contact your Dealer for advice. Ensure that it presents no danger to children while being stored for disposal.

Warning and Safety instructions

This washing machine conforms to current safety requirements. Inappropriate use can, however, lead to personal injury and damage to property.

To avoid the risk of accidents and damage to the washing machine, please read these instructions carefully before using it for the first time. They contain important information on its installation, safety, use and maintenance.

Keep these instructions in a safe place and ensure that new users are familiar with the content. Pass them on to any future owner.

► It must only be used as a domestic appliance to wash items which are specified by the manufacturer as being washable on the care label. Any other usage is not supported by the manufacturer and could be dangerous. Miele cannot be held liable for damage resulting from incorrect or improper use or operation of the washing machine.

► This washing machine is not intended for use by persons (including children) with reduced physical, sensory or mental capabilities, or lack of experience and knowledge, unless they are supervised whilst using it or have been shown how to use it by a person responsible for their safety.

Correct application

► This washing machine is not designed for commercial use. It is intended for use in domestic households and in similar working and residential environments such as:

- Shops
 - Offices and showrooms
- and by residents in establishments such as
- Hostels and guest houses

► This washing machine is not intended for outdoor use.

Safety with children

► Keep children away from the washing machine at all times. It is not a toy! To avoid the risk of injury do not allow children to play on or near it or to play with its controls. Supervise children whilst you are using it.

► Older children may only use the washing machine if its operation has been clearly explained to them and they are able to use it safely, recognising the dangers of misuse.

Warning and Safety instructions

Technical safety

► Before setting up the washing machine, check it for any externally visible damage.

Do not install or use a damaged washing machine.

► Before connecting the washing machine, ensure that the connection data on the data plate (voltage and connected load) match the mains electricity supply. If in any doubt, consult a qualified electrician.

► The electrical safety of this washing machine can only be guaranteed when continuity is complete between it and an effective earthing system which complies with current local and national safety regulations. It is most important that this basic safety requirement is present and regularly tested, and where there is any doubt the household wiring system should be inspected by a qualified electrician. The manufacturer cannot be held liable for the consequences of an inadequate earthing system (e.g. electric shock).

► Do not connect the washing machine to the mains electricity supply by an extension lead. Extension leads do not guarantee the required safety of the appliance (e.g. danger of overheating).

► Faulty components must only be replaced by genuine Miele original spare parts. Only when these parts are fitted can the safety standards of the machine be guaranteed.

► Unauthorised repairs could result in unforeseen dangers for the user, for which Miele cannot accept liability. Repairs should only be undertaken by a Miele approved service technician. Ensure current is not supplied to the machine until after maintenance or repair work has been carried out.

► If the connection cable is faulty it must only be replaced by a Miele approved service technician to protect the user from danger.

► In the event of a fault or for cleaning purposes, the washing machine is only completely isolated from the electricity supply when:

- it is switched off at the wall socket and the plug is withdrawn, or
 - it is switched off at the mains, or
 - the mains fuse is disconnected, or the screw-out fuse is removed (in countries where this is applicable).
- The Miele "Water protection system" protects from water damage provided the following conditions have been met:
- the machine is correctly plumbed in and connected to the electricity supply.
 - if a fault has been identified, the machine must be examined by a competent person before further use, and repaired if necessary.

► In countries where there are areas which may be subject to infestation by cockroaches or other vermin, pay particular attention to keeping the machine and its surroundings in a clean condition at all times. Any damage which may be caused by cockroaches or other vermin will not be covered by the guarantee.

Warning and Safety instructions

- ▶ This appliance must not be used in a non-stationary location (e.g. on a ship).
- ▶ Do not make any alterations to the washing machine, unless authorised to do so by Miele.

Correct use

- ▶ Do not install your washing machine in rooms where temperatures below freezing may occur. Frozen hoses may burst or split. The reliability of the electronic control unit may be impaired at temperatures below freezing point.
- ▶ Before using the washing machine for the first time, check that the transit bars at the rear of the machine have been removed (see section on "Installation and connection"). During spinning, a transit bar which is still in place may result in damage to both the machine and adjacent furniture or appliances.

- ▶ Turn off the stopcock if the machine is to be left for any length of time (e.g. holiday), especially if there is no floor drain (gully) in the immediate vicinity.
- ▶ Flooding danger.
If hooking the drain hose into a wash basin, check that the water can drain off quickly enough to prevent the sink from overflowing. Make sure the drain hose is secure, so that the force of the water flowing out of the hose does not dislodge it.
- ▶ Take care to ensure that foreign objects (e.g. nails, pins, coins, paper clips) do not find their way into the machine with the laundry. These may damage components of the machine (e.g. suds container, drum), which in turn can result in damage to the laundry.

Warning and Safety instructions

▶ If the correct amount of detergent is dispensed, the machine should not need to be descaled. If, however, you do wish to descale the machine only use proprietary non-corrosive descaling agents and strictly observe the instructions on the packaging. A special descaling agent is available to order from the Miele Spare Parts Department or via the internet on www.miele-shop.com.

▶ Textiles which have been pre-treated with solvent based cleaning agents must be thoroughly rinsed in clean water before being washed in the machine.

▶ Never use solvent based cleaning agents, e.g. those containing benzene, in this machine, as this may result in damage to component parts and create toxic fumes. Such agents also pose a fire and explosion hazard.

▶ Never use solvent based cleaning agents, e.g. those containing benzene, to clean the outside surfaces of this machine. They can cause damage to plastic surfaces.

▶ Only use dyes specified by the manufacturer as being suitable for use in a domestic washing machine. Always observe the manufacturer's instructions carefully.

▶ Colour run and dye removers contain sulphur compounds which can cause damage such as corrosion. Do not use these products in this machine.

▶ If detergent comes into contact with the eyes, rinse them thoroughly with lukewarm water immediately. If swallowed, seek medical assistance immediately and retain the packaging or label for reference. Those with skin problems or sensitive skin should avoid their skin coming into contact with detergent.

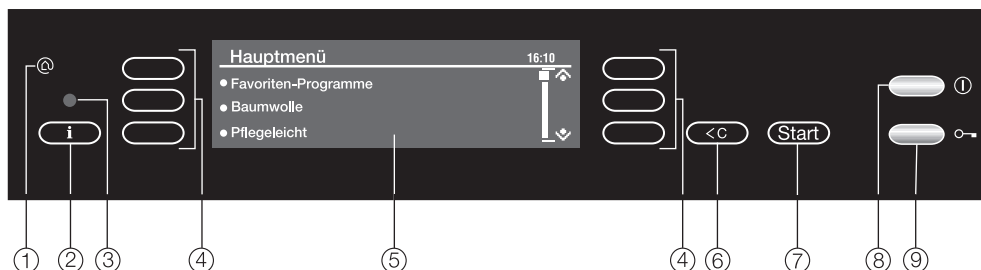
▶ Only remove laundry from the washing machine once the drum has stopped turning. Reaching into a moving drum is extremely dangerous and could result in injury.

Accessories

▶ Accessory parts may only be fitted when expressly approved by Miele. If other parts are used, guarantee, performance and product liability claims will be invalidated.

Miele cannot be held liable for damage caused by non-compliance with these Warning and Safety instructions.

Control panel



① Miele@home

Symbol for Miele@home enabled appliance

② Information sensor **i**

The sensor lights up when information about the menu in the display is available.

③ Service interface

This is used by service technicians to run diagnostic checks on your machine, or to update programming data in the future.

④ Selector sensors

A sensor is active when it is lit up. See next page for more information.

⑤ Display

For showing:

- the functions selected
- the programme sequence
- information
- fault messages

⑥ Clear sensor <C

- For returning to the previous menu.
- For returning to the main menu when touched twice.
- For deleting the values set previously.
- For cancelling the wash programme.

⑦ Start sensor

The wash programme selected is started by touching this sensor when it is illuminated green.

⑧ ⓘ button

For switching the washing machine on and off.

To save energy, the washing machine will switch itself off automatically 15 minutes after the end of the programme/anti-crease phase or after being switched on, if no other selection is made.

⑨ 🔒 button

For opening the door.

Operating the washing machine

Selector sensors

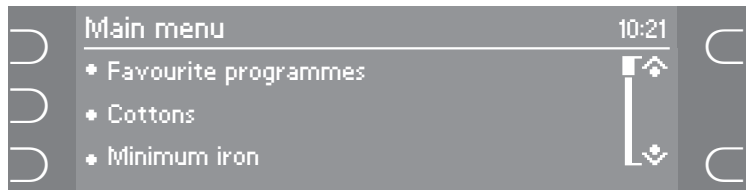
The selector sensors are on the left and right of the display. They light up when they are active. The selector sensors are used for the following:

Selecting an option

A dot (•) next to an option indicates that it can be selected. The selector sensor on the left is active when the dot (•) is in front of the word, the selector sensor on the right is active when the dot (•) is behind the word or symbol.

Scrolling through the menus

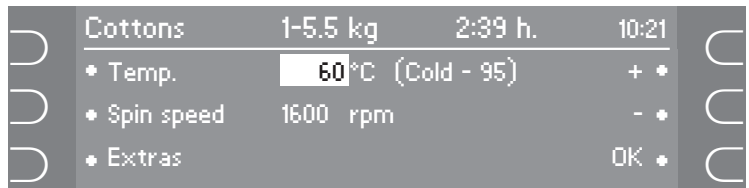
If the menu lists more options than are visible in the display, a scroll bar will appear on the right to show the position in the list:



The sensors on the right can be used to scroll up or down the list. Each touch of the sensor will move the list up or down one line.

A dotted line will appear under the last option in the list.

Changing a value in the display



Use the sensors on the right to increase (+) or decrease (-) the value highlighted (60). The altered value must then be confirmed with the lower right sensor **OK**.

Operating the washing machine

Favourite programmes

You can save up to ten of your own customised wash programmes under names of your choice.

Washing tips

These help you find the correct wash programme. You are guided step by step so that you can select the best programme for the fabrics and garments you want to wash. You can alter the recommended temperature, extra options selected and the spin speed.

Settings menu









The *Settings* menu is used to alter the washing machine's electronics to suit different requirements. See "Settings menu" for more details.

Information sensor **i**

The Information sensor **i** will light up if information about an option is available. Touch the sensor if you want to read the information.

Programme sequence display

Symbols in the display show which section of the programme has been reached.

Symbol	Programme sequence
	Pre-wash
	Soak
	Main wash
	Rinses
	Rinse hold
	Drain
	Spin
	Anti-crease/Finish

Optional programme packages

Various optional programme packages are available to buy.

These programme packages are downloaded to the washing machine's electronics by a service technician. Please refer to the "Programme package" booklet supplied for more information.

Operating the washing machine

Structure of the main menu

Favourite programmes

- Favourite programmes
- Create
- Change
- Delete

Cottons

- **Minimum iron**
- **Delicates**
-
-
- Temp.
- Spin speed
- Extras*
- Stains
- Start at
- Finish at
- Safety lock
- Load / Detergent

Washing tips

- Cottons*
- Delicates*
- Cotton + synthetic*
- Woollens *
- Silks *
- Microfibre*
- Linen*

* This option has further sub-menus.

Settings ▾

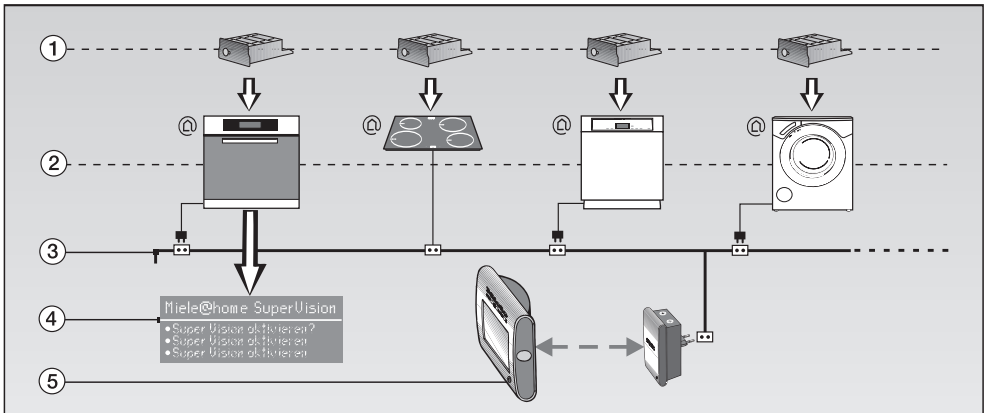
- Language ▾
- Time*
- Gentle action
- Longer pre-wash for Cottons
- Suds cooling
- Code
- Temperature unit
- Buzzer
- Keypad tone
- Brightness
- Contrast
- Display / keypad illumination
- Memory
- Anti-crease
- Load sensor zero setting
- Miele@home**
- Remote control**

* This option has further sub-menus.

** Appears if the washing machine has been fitted with the optional communication module.

Miele@home

Miele@home enabled appliances send information via the household wiring network ③ to the master appliance ④ / ⑤ about the operational status of the appliances, as well as information about the progress of the programme.



This washing machine is communication enabled and can be linked into the Miele@home system via a communication module ① (optional accessory).

Information is displayed via:

- The SuperVision appliance ④
The status of other appliances in the system can be shown in the display of the SuperVision appliance.
- InfoControl XIC 2100 ⑤
Information transmitted from the appliances can be displayed acoustically and optically in a mobile master unit in the vicinity of the house.

You can use both the SuperVision appliance and the InfoControl unit at the same time.

Optional accessories required

- Communication module XKM 2000
- Mobile master unit InfoControl XIC 2100 (if not using a SuperVision appliance as a master appliance)

Both of these are supplied with their own installation and operating instructions.

The home of the future

The Miele@home system is capable of expansion. In the future, communication enabled appliances will be able to be operated via a PC or a mobile phone.

Before using for the first time

Before using the machine for the first time ensure that it is correctly installed and connected. See "Installation and connection". Also check that the drain filter is securely tightened to prevent the risk of leaks during use. See "Installation and connection".

This washing machine has undergone a complete functional test at the factory and there will be some residual water in the drum from this process.

Preparing the washing machine for use is done in six stages. The washing machine guides you automatically through steps

1. to 5.

1. Welcome screen

- Switch the machine on with the **ⓘ** button.

The welcome screen will appear in the display for 3 seconds. The display for setting the language will then appear.

The welcome screen will appear in the display every time the washing machine is switched on until a programme lasting longer than 1 hour has been completed.

2. Set the language

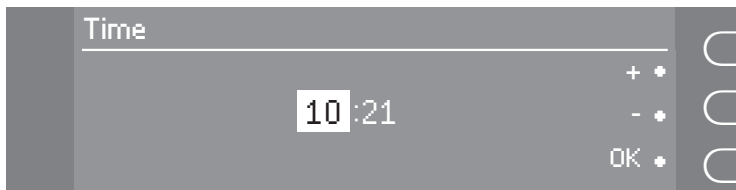


- Select the language you want.
- The sensors on the right can be used to scroll up or down the list.
- Confirm the language you have selected with **OK**.

Before using for the first time

3. Set the time of day (if required)

Enter the time of day.




- Use **+** and **-** to set the hour.
- Confirm with **OK**. Then set the minutes and confirm with **OK**.

4. Miele@home message

This communication enabled washing machine can transmit programme data through the power lines to the Miele@home system.

- Confirm the message with **OK**.

5. Reminder to remove transport bars

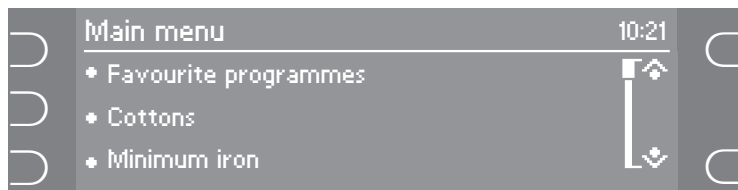
 To avoid the risk of damage, the transport bars must be removed before the machine is used for the first time. See "Installation and connection" for instructions on how to do this.

- After removing the transport bars (if this has not already been done by your fitter) confirm with **OK**.

6. Run your first programme

The washing machine has a sensor which measures the amount of laundry in the drum. This determines the amount of detergent required which appears as a recommendation in the display. To enable the load size sensor to function correctly, you must first run a *Cottons 60°C* programme without any laundry and without detergent.

- Open the stopcock.




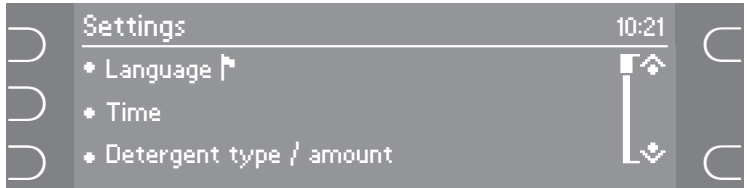
- Select *Cottons*. The sub-menu for cottons will appear.
- Touch the green illuminated *Start* sensor.

The machine is set up and ready for use once this programme has finished.

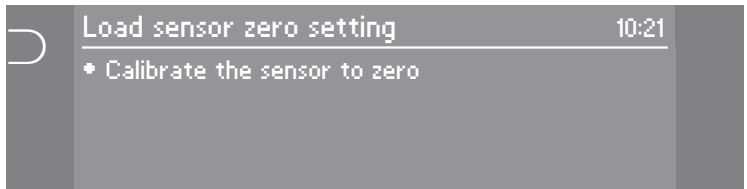
Calibrating the load sensor to zero

Before you can use the washing machine, the load sensor has to be calibrated to zero as you would with bathroom scales.

- Open the drum door. The display will change to show the main menu again.
- Select the *Settings*  menu.



- Scroll up the display until the *Load sensor zero setting* option appears.
- Select this option.



- Touch the sensor.

The load sensor will be calibrated to zero.

Switch off the washing machine.

Washing environmentally and economically

Energy and water consumption

- Water consumption and energy usage are determined by the size of the load.
To make the most out of your machine, load the maximum dry load for the programme you are using.
- When smaller amounts of laundry are washed, the automatic load recognition system will reduce the amount of water, time and energy used. This may mean that the time left shown in the display is adjusted during the course of the wash programme.
- Use the *Express 20* programme for small loads.
- Modern detergents make it possible to wash at lower temperatures (e.g. 20°C). Washing using lower temperature settings will save energy.
- To maintain the hygiene of the washing machine carry out a hot wash (60°C or above) using powder detergent at regular intervals. The **Hygiene info** message will appear in the display to remind you to carry out a hot wash.

Detergent

- Do not exceed the amounts of detergent recommended by the manufacturer on the packaging.
- Adjust the dosage to the degree of soiling of the laundry.

Choosing the correct Extra option (Short, Soak, Pre-wash)

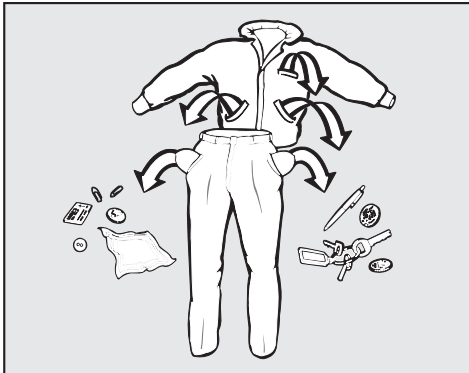
Select:

- A wash programme together with the *Short* extra option for light soiling where there are no obvious marks.
- A wash programme without any extra options for normal to heavy soiling with visible staining.
- A wash programme together with the *Soak* extra option for heavily soiled laundry.
- The *Pre-wash* extra option for laundry with large amounts of dirt (e.g. dust, sand).


When drying with a tumble dryer

Selecting the highest possible spin speed for the wash programme will save energy when drying in a tumble dryer afterwards.

1. Prepare the laundry



- Empty all pockets.

 Foreign objects (e.g. nails, coins, paper clips, etc.) can cause damage to textiles and to components in the machine.

Sorting laundry


- Sort the laundry by colour and by care label. Most garments have a textile care label in the collar or side seam.


Dark textiles often contain excess dye and should be washed separately several times before being included in a mixed load. Always wash whites and coloureds separately.

Removing marks

- Badly soiled areas, stains etc. should be cleaned as soon as possible, preferably whilst still fresh. Spillages should be carefully dabbed off using a soft, colourfast cloth. Do not rub.


Badly soiled areas can be pre-treated with liquid detergent, stain removers etc. first, following the manufacturer's instructions.

 If you use a solvent-based cleaning agent (e.g. one containing benzene) to pre-treat a stain, make sure that any plastic parts (e.g. buttons) are protected, and that the cleaning agent is rinsed off before washing the garment in the machine.

 Do not use solvent-based cleaning agents in this machine.

General tips

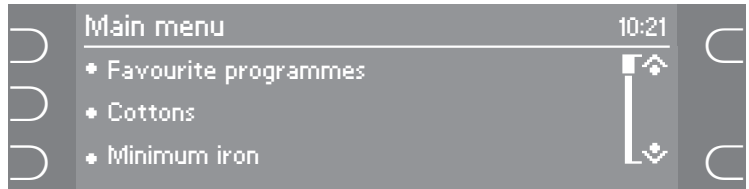
- Curtains: Remove lead weights first or place in a laundry bag.
- Underwiring and collar stiffeners: Any loose wiring in bras, shirt collar stiffeners, etc. should be removed or sewn in.
- Close any zips, fasten hooks and eyes etc before washing.
- Fasten duvet covers, pillow cases etc. to prevent small items from being rolled up inside them.

Do not wash any items in this machine which are specified by the manufacturer as **not washable** on the care label ( symbol).

2. Select a programme

Switch the washing machine on with the button

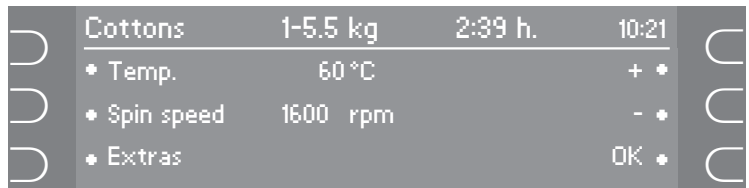
The drum lighting will come on and the main menu will appear in the display.



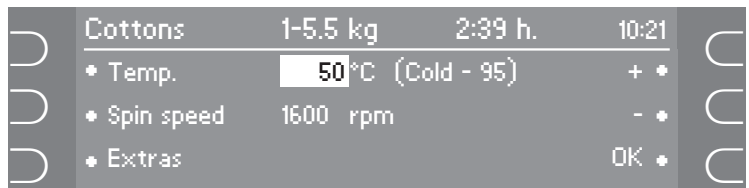
- Select the programme you want.

Select a temperature / spin speed

Each programme has a pre-set temperature and spin speed. You can change these within the given limit for the programme selected.



- Select the appropriate option.

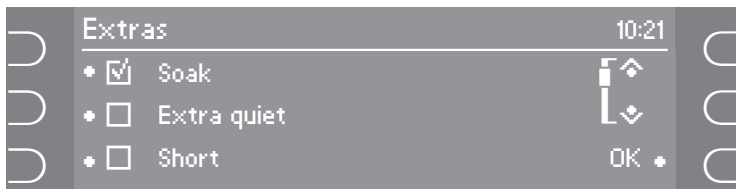


- Use **+** and **-** to change the pre-set value. The given limit appears in brackets.
- Confirm the value you have set with **OK**.

2. Select a programme

Select an Extra option(s)

- Select *Extras* from the menu. See "Extra options" for more information.



- Select the Extra you require.

You can select several extra options. If an extra option is selected there will be a tick next to it.

Stains

There is a choice of various types of stains for achieving the optimum wash result with stain removal. Extra options will be added to the wash programme automatically, depending on the type of stain selected. With some stains, a tip about pre-treating the stain will appear in the display.

- Select the *Stains* option.



- Select the stain you want to treat.

You can select a maximum of three stains with each wash programme.

If the "Short" extra option was selected previously, it will be deselected automatically.

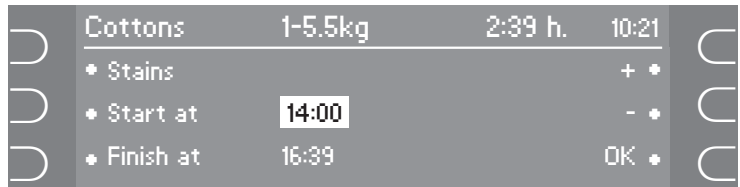
2. Select a programme

Start at / Finish at

You can set the start (Start at) or the end (Finish at) time of a programme.

The start and end time can be set in steps of 15 minutes. You can delay the programme start time or the programme end time up to a maximum of 24 hours. With the first 15 minute step the time will be adjusted to the next quarter of an hour.

- Select the *Start at* or the *Finish at* option.



- Use **+** and **-** to select the time you want for *Start at* or *Finish at*. Confirm the time you have selected with **OK**.

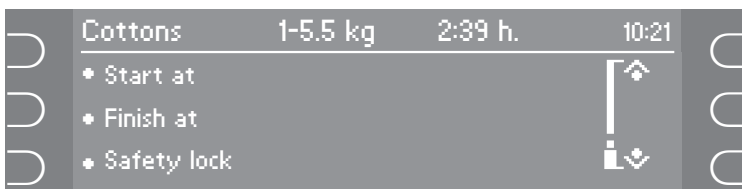
The actual load size can only be determined accurately by the machine once the programme has started. The programme end time may, therefore, be a bit later or earlier than first indicated.

2. Select a programme

Safety lock

The safety lock prevents the machine from being opened and/or the programme altered or cancelled during a wash programme.

Activating the safety lock before the start of a programme



- Select the *Safety lock* option.
- Select the *On* option and confirm with **OK**.

The safety lock will now be activated at the start of the programme. It is deactivated automatically at the end of the programme.

Activating the safety lock once the programme has started



- Select the *Change* option. The display will change to show the wash programme menu again. In this menu, you can activate the safety lock as described above.

Deactivating the safety lock

Proceed as for activating the safety lock.

3. Load the laundry

Load / Detergent

- Press the  button to open the drum door.

The *Load / Detergent* sub-menu will appear.

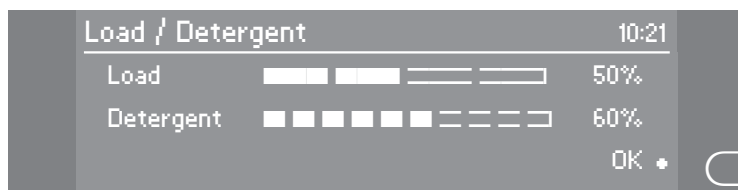
The washing machine has a sensor which measures the amount of laundry placed in the drum. The display shows the percentage of the maximum load which has been placed in the drum. The maximum load will depend on the programme chosen.

In addition to the load size percentage, the amount of detergent required is also shown as a % figure.

The load is shown in the display in 25% steps. Loads of less than 25% or an empty drum are shown as <25%. *Drum overloaded* will appear if too much laundry is placed in the drum.

- Unfold the laundry and load loosely into the drum. Mixing both large and small items gives better wash results and also helps distribute the load evenly during spinning.

The load size will appear in the display.



The most efficient use of energy and water is achieved when a full load is washed. However, do not overload as this causes creases and reduces cleaning efficiency.

Make sure that no items are caught between the drum door and seal.

- Shut the door with a gentle swing.

4. Add detergent

The percentage amounts in the display will help you to add the correct percentage amount of detergent recommended by the manufacturer.

The percentage shown relates to the amount of detergent recommended by the manufacturer on the packaging.

- 50%** = Add half the amount recommended
- 60%** = Add slightly more than half the amount recommended
- 75%** = Add three quarters of the amount recommended
- 100%** = Add the full amount of detergent recommended

Take the level of soiling and water hardness into account.

It is important to dispense the correct amount, because

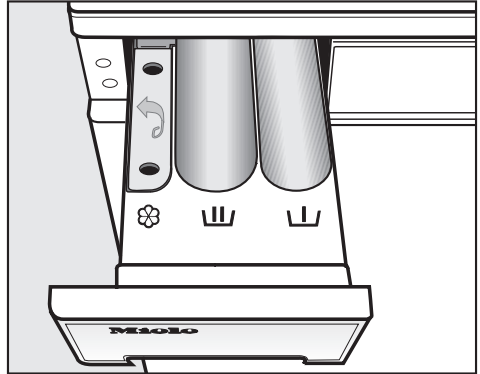
Too little detergent results in:

- Laundry not getting properly clean and with time it may become grey and hard to the touch.
- Greasy particles clinging to laundry.
- Limescale deposits on the heater elements.

Too much detergent results in:



- Excessive foam which causes a low level of agitation and poor wash, rinse and spin results.

- High water consumption (an additional rinse cycle will automatically switch in).
- A burden to the environment.



- Pull out the detergent drawer and add detergent to the compartments as follows:



Detergent for the pre-wash (divide the total recommended amount as follows: add $\frac{1}{3}$ to compartment  and $\frac{2}{3}$ to compartment )



Detergent for the main wash, including Soak if selected



Fabric conditioners and liquid starch

- Close the detergent drawer.

See "Detergent" for further information.

5. Start the programme

Starting a programme

- Touch the green illuminated *Start* sensor.



During the first six minutes after the start of the programme, the estimated programme duration (Time left) shown in the display can change. The washing machine measures the absorbency rate of the laundry which means the programme duration can be longer or shorter.

Once a programme has started successfully you can do the following:

Cancelling a programme

- Touch the <C sensor.



- Select *Cancel*.

The suds will be pumped away.

Interrupting a programme

- Switch the machine off with the ⓐ button.

To continue with the same programme:

- Switch the machine back on with the ⓐ button.

5. Start the programme

Changing a programme

Within the first five minutes


- You can change the temperature
- You can select or deselect the *Short*, *Water plus*, *Extra quiet* and *Extra rinse* extra options.

Up until the final spin begins

- You can change the spin speed
- You can select or deselect the *Rinse hold* extra option

Touch the sensor next to *Change* and alter the setting you want to change.

Adding or removing laundry after a programme has started

- Press the  button to open the drum door.
- Add or remove items.
- Close the drum door.

The programme will continue automatically.


Please note:

Once a programme has started the machine cannot recognise any adjustment to the load.

For this reason, if laundry is added or removed after the start of a programme, the machine will always complete the programme cycle assuming a full load which can lead to a change in the programme duration shown in the display.

The door cannot be opened if:

- the suds temperature is above **55°C**.
- the water is above a certain level.
- the programme has reached the *Final spin* stage.

If you press the  button when the above conditions are present, the following will appear in the display:

 Door locked


6. Programme end - unload the drum


After the programme has finished, the following will appear alternately in the display:

Anti-crease

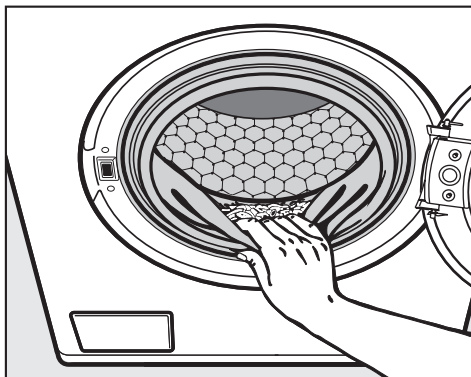
and

Programme finished. Unload the drum, before switching off

- Press the  button to open the drum door.
- Remove the laundry.

The washing machine will switch off automatically 15 minutes after the end of the anti-crease phase. You will need to press the  button to switch it back on again.


Check that all items have been removed from the drum. Items left in the drum could discolour other items in the next wash or become discoloured themselves.



- Check the folds in the door seal for any small articles, e.g. buttons, which might be lodged there.

Important

Always remove the laundry before switching the machine off. This is important to ensure that the load size indicator works correctly.

- Switch the machine off with the  button.
- Close the drum door. Otherwise there is the danger of objects being placed inadvertently in the drum. If these remained unnoticed and were washed in the next load, they could damage the laundry.

Extra options

Soak

For heavily soiled and stained items with protein stains (e.g. blood, fats and oils, cocoa).

A duration of between 30 minutes and 6 hours can be chosen in 30 minute increments for the soak process.

Extra quiet

If using your washing machine during quiet periods, you can reduce the noise levels even more.

If the *Extra quiet* extra option is selected, the machine will activate the *Rinse hold* extra option and not spin. The programme duration is longer.

To deactivate Rinse hold

- Call up the *Extras* sub-menu and deactivate the *Rinse hold* extra option.

The following will appear in the display:

Tip: Select "Start at" or "Finish at" so that the final spin will take place when it will not disturb you

Short

For light to normal soiling with no visible staining.

The duration of the main wash is reduced.

Rinse hold

The laundry will not be spun and will remain suspended in the final rinse water. This reduces creasing if the laundry is not going to be removed from the drum immediately after the end of the programme. See "Spinning" for more details.

Pre-wash

For laundry with large amounts of dirt e.g. dust, sand.



Water plus

The water level in the main wash and the rinses will be increased.

Extra rinse

An additional rinse cycle is carried out to achieve a better rinse result.

The following extra options can be selected in addition to the programme:

	Soak	Extra quiet	Short	Rinse hold	Pre-wash	Water plus	Extra rinse
Cottons	*	*	*	*	*	*	*
Minimum iron	*	*	*	*	*	*	*
Delicates	*	*	*	*	*		
Automatic plus		*		*			
Dark garments	*	*	*	*	*		
Shirts	*	*	*	*	*	*	*
Denim	*	*	*	*	*		
Express 20		*	* ¹⁾	*		*	*
Woollens 		*		*			
Silks 		*		*		*	*
Sportswear	*	*	*	*	*	*	*
Trainers				*	* ²⁾		
Outerwear	*	*	*	*	*	*	*
Hygiene	*	*		*	*	*	*
First wash		*		*		*	*
Proofing		*		*			
Curtains		*		*	* ²⁾	*	*
Pillows		*		*		*	*
Soft toys		*		*			
Starch		*		*			
Separate rinse		*		*			

¹⁾ = The extra option is activated automatically as part of the programme but can be deselected.

²⁾ = The extra option is activated automatically as part of the programme and cannot be deselected

Favourite programmes

You can save up to ten wash programmes with the settings you have selected for them under names of your choice. The name can have up to 12 characters.

The favourite programmes which have been set are stored alphabetically.



To save a favourite programme

There are two ways of saving a wash programme as a favourite.

1. If when selecting a programme you altered the temperature, spin speed and/or selection of Extra options: Select *Save as*.
2. Open the *Favorite programmes* menu and select *Create*. You can then select a wash programme in the usual way.

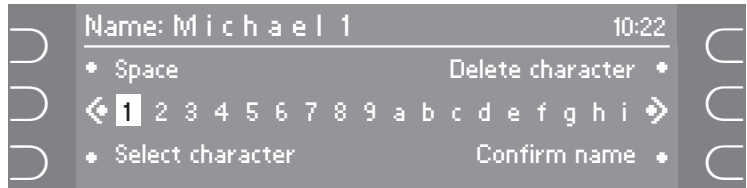
To enter a name for a favourite programme



- Select the first character and confirm this with *Select character*. Use the  and  sensors to scroll to the left or right to select the rest of the characters.

After the first letter in upper case has been entered the display will change automatically to display letters in lower case. After a space has been entered the display will revert to upper case again.

To save a name for a favourite programme



- Select *Confirm name*.

To select a favourite programme

- Call up the *Favorite programmes* menu. The saved programmes will appear in alphabetical order.
- Select the favourite programme you want.
- Touch the green illuminated *Start* sensor. The programme will begin.

You can change the pre-set parameters (temperature, spin speed, extra options ...).

To change a favourite programme

- Select the *Change* option.
- Select the favourite programme you wish to change.
- Make any changes to the parameters (e.g. temperature, spin speed) and save these with *Confirm name*.

The altered parameters will be active the next time the favourite programme is started.

To delete a favourite programme

- Select the *Delete* option.
- Select the favourite programme you wish to delete.
- Confirm the deletion.

If you have already saved ten favourite programmes then you will have to delete one of them before you can save a new programme.

Spinning

Final spin speed

Programme	rpm
Cottons	1600
Minimum iron	1200
Delicates	600
Automatic plus	1200
Dark garments	1200
Shirts	600
Denim	900
Express 20	1600
Woollens 	1200
Silks 	600
Sportswear	1200
Trainers	1000
Outerwear	800
Hygiene	1600
First wash	1200
Proofing	1000
Curtains	600
Pillows	1200
Soft toys	900
Starch	1600
Separate rinse	1600
Drain	–
Spin	1600

You can reduce the final spin speed. However, you cannot select a final spin speed higher than that shown in the chart above as this is the maximum suitable for the programme.

Rinse and interim spin

There is a spin after the main wash and between the rinses. A reduction in the final spin speed will also reduce the interim spin speed. If a spin speed of less than 700 rpm is selected for a *Cottons* programme, an additional rinse is introduced.



To omit the final spin (Rinse hold)

- Select the *Rinse hold* extra option.

– To start the final spin:

Touch the *Start* sensor to begin the final spin.

– To end the programme:

Press the  button. The water will drain away. Press the  button again to open the door.

To omit the spin between rinses and the final spin

- Set the spin speed to **0**.


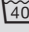
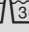




The laundry is not spun after the final rinse. The water will drain away and the machine will go straight into the anti-crease stage. With some programmes an additional rinse is introduced if this setting is selected.

Programme chart

Please refer to the separate booklet for information on programmes available as additional programme packages.

Cottons		cold to 95°C	Max. load 5.5 kg
Use for	Cotton, linen or cotton mix fabrics, e.g. table linen, towelling, underwear, T-shirts etc.		
Note	<ul style="list-style-type: none"> – Selecting the 60°C wash temperature will give the performance of a Cottons 60°C programme, however for energy saving and environmental protection reasons the actual wash temperature reached will be lower. – Where higher levels of hygiene are required please select a temperature of 75°C or above or use the <i>Hygiene</i> programme. 		
Note for test institutes:			
Short programme: 2.75 kg load and <i>Short</i> extra option			
Minimum iron		cold to 60°C	Max. load 3.0 kg
Use for	Synthetic, mixed fibre and easy care cotton. If fabrics have a high proportion of man-made fibres it is advisable to programme the machine for "Gentle action". See "Programmable functions".		
Note	Reduce the spin speed for fabrics which crease easily.		
Delicates		cold to 60°C	Max. load 1.5 kg
Use for	For delicate garments made of synthetic fibre, mixed fibre, rayon and easy care cotton.		
Note	Deselect the spin by setting the spin speed to 0 for items which crease easily.		
Automatic plus		cold to 40°C	Max. load 4.5 kg
Use for	Mixed loads of garments suitable for the <i>Cottons</i> and <i>Minimum iron</i> programmes. Sort according to colour.		
Notes	The wash parameters (e.g. water level, wash rhythm and spin speed) are adjusted automatically in this programme to ensure the best possible care and wash result for each item.		

Programme chart

Dark garments		cold to 40°C	Max. load 3.0 kg
Use for	Black and dark garments made from cotton or mixed fibre.		
Note	Wash inside out.		
Shirts		cold to 60°C	Max. load 1.5 kg
Notes	<ul style="list-style-type: none"> – Pre-treat collars and cuffs if necessary. – Wash silk garments in the <i>Silks</i>  programme. 		
Denim		cold to 60°C	Max. load 2.5 kg
Notes	<ul style="list-style-type: none"> – Wash denim inside out. – Denim often contains excess dye and may run during the first few washes. Wash light and dark coloured items separately. 		
Express 20   *		cold to 40°C	Max. load 2.5 kg
Use for	Cotton and minimum iron garments that have hardly been worn or are only very lightly soiled.		
Notes	The Short extra option will be activated automatically.		
Woollens    *		cold to 40°C	Max. load 2.0 kg
Use for	Machine-washable or hand-washable wool or wool blend fabrics. If the care label does not specify a temperature, wash using the cold setting.		
Note	Reduce the spin speed for items which crease easily.		
Silks 		cold to 30°C	Max. load 1.0 kg
Use for	Silks and other handwashable fabrics with no wool content.		
Note	Place tights, bras etc. in a washing bag.		

* Please note that the "buckets" represent garment care label symbols. See "Garment care label symbols".

Programme chart

Sportswear		cold to 60°C	Max. load 2.0 kg
Use for	Sportswear such as singlets and leggings as well as microfibre and fleece garments.		
Note	<ul style="list-style-type: none"> – Do not use fabric conditioner. – Observe the manufacturer's care label. 		
Trainers		cold to 40°C	Max. 2 pairs of shoes
Use for	Sports shoes only (do not use for leather shoes)		
Notes	<ul style="list-style-type: none"> – Observe the manufacturer's care label. – Remove coarse soiling with a brush before washing. – Fasten any velco fasteners. – Do not use fabric conditioner. – A pre-rinse without detergent is carried out automatically to remove loose dirt. – Use a drying basket if drying in a tumble dryer. 		
Outerwear		cold to 40°C	Max. load 2.0 kg
Use for	Outerwear made from membrane fabrics such as Gore-Tex®, SYMPATEX®, WINDSTOPPER® etc.		
Note	<ul style="list-style-type: none"> – Zip up jackets before washing. – Do not use fabric conditioner. – If wished these garments can also be re-proofed using the <i>Proofing</i> programme. Proofing should not be done every the garment is washed! 		
Hygiene		30°C bis 95°C	Max. load 5.5 kg
Use for	Cotton and linen fabrics which have been in direct contact with the skin, e.g. underwear, nappies, towelling, bed linen, pillow and mattress covers or where high standards of hygiene are required.		
Notes	<ul style="list-style-type: none"> – For optimum hygiene results select a temperature of 60°C or above. – Observe the manufacturer's care label. 		

Programme chart

First wash		cold to 40°C	Max. load 3.0 kg
Use for	New items made of cotton, towelling and polyester fabric.		
Note	Use this programme to wash any manufacturing residues out of new items.		
Proofing		40°C	Max. load 2.0 kg
Use for	Treating microfibre fabrics, skiwear, and table linen made from mainly synthetic fibres with a water and stain resistant finish.		
Notes	<ul style="list-style-type: none"> – The items should be freshly laundered and spun or dried before proofing. – For best results, the items should be heat-treated afterwards, either in a tumble dryer or by ironing. 		
Curtains		cold to 40°C	Max. load 1.0 kg
Use for	Curtains, including net curtains, specified as machine-washable by the manufacturer.		
Notes	<ul style="list-style-type: none"> – A pre-rinse without detergent is carried out automatically to remove dust. – For curtains which crease easily, reduce the final spin speed or deselect the spin. – Remove weights from curtains. 		
Pillows		cold to 95°C	2 pillows (40 x 80 cm) or 1 pillow (80 x 80 cm)
Use for	Synthetic filled washable pillows		
Note	Please observe the instructions on the wash care label.		

Programme chart

Soft toys		cold to 40°C	Max. load 1.0 kg
Use for	Soft toys, specified as machine-washable by the manufacturer.		
Note	Do not wash soft toys stuffed with straw.		
Starch			Max. load 5.5 kg
Use for	For starching table cloths, serviettes and workwear		
Notes	<ul style="list-style-type: none">– Reduce the spin speed for fabrics which crease easily.– The laundry should be washed but not treated with fabric conditioner.		
Separate rinse			Max. load 5.5 kg
Use for	For rinsing handwashed items.		
Note	– Reduce the spin speed for fabrics which crease easily.		
Drain			
For draining water from the machine.			
Spin			
Note	Make sure you select the appropriate spin speed.		

Programme sequence

	Main wash		Rinses		Spinning	
	Water level	Wash rhythm	Water level	Rinses	Interim spin	Final spin
Cottons		Ⓐ		2-4 ¹⁾²⁾	✓	✓
Minimum iron		Ⓒ		2-3 ³⁾	✓	✓
Delicates		Ⓓ		3	–	✓
Automatic plus		Ⓐ Ⓑ Ⓒ		2-3 ³⁾	✓	✓
Dark garments		Ⓑ		3-4 ³⁾	✓	✓
Shirts		Ⓒ		2	–	✓
Denim		Ⓒ		3	–	✓
Express 20		Ⓑ		1-3 ³⁾	✓	✓
Woollens		Ⓕ		2	✓	✓
Silks		Ⓕ		2	–	✓
Sportswear		Ⓒ		2-3 ³⁾	✓	✓
Trainers ⁶⁾		Ⓔ		2	–	✓
Outerwear		Ⓓ		3	✓ ⁴⁾	✓
Hygiene		Ⓑ		3-4 ²⁾	✓	✓
First wash		Ⓑ		2-3 ³⁾	✓	✓
Proofing		Ⓓ	–	–	–	✓
Curtains ⁶⁾		Ⓓ		3	–	✓
Pillows		Ⓓ		3	–	✓
Soft toys		Ⓒ		3	✓	✓
Starch		Ⓒ	–	–	–	✓
Separate rinse	–	–		2	–	✓
Please see next page for description of the symbols						

 = Low water level

 = Medium water level

 = High water level

(A) = Intensive rhythm

(B) = Normal rhythm

(C) = Gentle rhythm

(D) = Sensitive rhythm

(E) = Ultra sensitive rhythm

(F) = Handwash rhythm

This machine has fully electronic controls with automatic load recognition. It takes in the right amount of water required for the programme depending on the amount of laundry and its absorbency rate. This means that programme cycles and durations can vary.

The programme sequences outlined in the chart are based on the basic programme with a full load. Extra options which can be selected have not been taken into account.


The display shows the stage the programme has reached.

Special features in the programme sequences:






Anti-crease:




At the end of every programme, with the exception of the Woollens programme, the drum continues to turn at intervals for up to 30 minutes to help prevent creasing.





The door can be opened and laundry removed at any time during the anti-crease phase.





- 1) A second rinse is carried out when a temperature between 60°C and 95°C has been selected. A third rinse is carried out when a temperature below 60°C is selected.
- 2) A third or fourth rinse is carried out if:
 - there is too much foam in the drum
 - a spin speed lower than 700 rpm has been selected
 - The spin speed has been deselected.
- 3) A third rinse is carried out if:
 - The spin has been deselected.
- 4) In the *Outerwear* programme, laundry is only spun after the main wash.
- 5) Run-up to spin: A run-up to spin is carried out before the wash process begins, to deflate down-filled items. Subsequent water intake for the main wash is through compartment .
- 6) Pre-rinse: A pre-rinse without detergent is carried out automatically to remove dust.




Garment care label symbols

Washing	
The figure quoted in the bucket is the maximum temperature the garment can be washed at. The number of bars under the symbol indicates the level of agitation permitted.	
	No bar under the symbol: = normal agitation
	One bar under the symbol: = reduced agitation
	Two bars under the symbol: = much reduced agitation
	Hand wash (if no temperature is specified use the lowest temperature or cold)
	Do not wash

Drying	
The number of dots indicates the drying temperature	
	Normal temperature
	Low temperature
	Do not tumble dry

Ironing	
The number of dots indicates the ironing temperature	
	Hot iron (max sole plate temp. approx. 200°C)
	Medium hot iron (max sole plate temp. approx. 150°C)
	Cool iron (max sole plate temp. approx. 110°C). Do not steam iron garments carrying this symbol.
	Do not iron

Professional cleaning	
	Dry clean only. The letters indicate the type of cleaning agent required.
	
	Professional Wet Clean only
	Do not dry clean

Bleaching	
	Any oxidising bleaching agent can be used
	Only use an oxygen based bleach or a non-chlorine bleach
	Do not bleach

The correct detergent



All modern detergents produced for automatic washing machines are suitable.

Use dispensing aids, e.g. balls, if these are supplied with the detergent. Tablets are suitable for full loads, but note that it may be impractical to reduce tablets for smaller loads. Some tablets do not dissolve as rapidly as others, and may not be suitable for programmes with short durations.

Do not use biological detergents on silk as the enzymes may damage the silk. Instructions for use and recommended dosage amounts are given on the detergent packaging.

See "Optional accessories" at the end of this booklet for details of Miele branded care products including detergents and fabric conditioner.

1) Liquid detergent


For programmes with a pre-wash you will need to purchase a special container from the Miele Spare Parts Department which sits in the main wash compartment . Add liquid detergent to this container for the main wash and to compartment  for the pre-wash

2) Use powder detergent



* Specialist detergent

Detergent designed specifically for the wash programme or type of fabric.

** Only use proofing agents containing fluorochemical compounds which are stated by the manufacturer as being "suitable for use on membrane textiles".

Do not use proofing agents which contain paraffin. Add proofing agents to compartment .

Detergent

	Universal detergent	Detergent for coloureds	Detergent for delicates	Specialist detergent*	Proofing agent**	Fabric conditioner
Cottons	X	X	–	–	–	X
Minimum iron	X	X	–	–	–	X
Delicates	X	X	X	–	–	X
Automatic plus	X	X	–	–	–	X
Dark garments ¹⁾	X	X	X	–	–	X
Shirts	X	X	–	–	–	X
Denim ¹⁾	X	X	X	–	–	X
Express 20 ¹⁾	X	X	–	–	–	X
Woolens 	–	–	–	X	–	X
Silks 	–	–	–	X	–	X
Sportswear ¹⁾	X	X	–	X	–	–
Trainers ¹⁾	–	X	–	–	–	–
Outerwear	–	–	X	X	–	–
Hygiene ²⁾	X	–	–	–	–	X
First wash	X	X	–	–	–	X
Proofing	–	–	–	–	X	–
Curtains ²⁾	X	X	–	X	–	–
Pillows ¹⁾	X	X	X	X	–	–
Soft toys ¹⁾	–	X	X	–	–	X
Starch	–	–	–	X	–	–
Separate rinse	–	–	–	–	–	X

The right amount to dispense will depend on the following:

- The soiling level of the load
 - Lightly soiled
No visible dirt or stains. Possibly slight body odour.
 - Normally soiled
Visibly dirty and/or just a few slight stains.
 - Heavily soiled
Visible dirt and stains and/or dried on soiling.
- The quantity of the laundry (add the recommended amount of detergent)
- The water hardness level.
Check with your local water supplier if you do not know the hardness level in your area.


Water softeners

A water softener can be used to cut down on the use of detergents in hard water areas. Dispense according to the amount specified on the packaging. First add detergent and then the water softener.

Miele branded water softening tablets are available from the Miele Spare Parts Department or via the internet on www.miele-shop.com.

Use a quantity of detergent as for soft water.

Washing with several components

If you wash using several components (e.g. special application detergents), we recommend always dispensing the agents into compartment  in the following order:

1. Detergent
2. Water softeners
3. Stain remover

This way the agents are distributed more evenly.

Detergent

Fabric conditioners and liquid starch

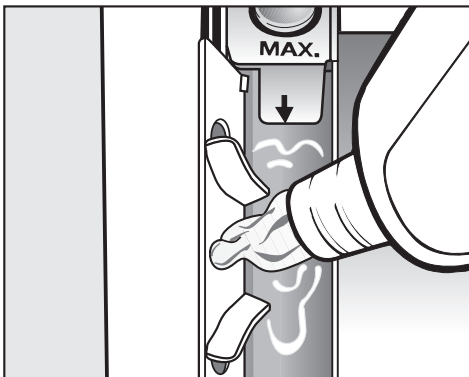
Fabric conditioners

Make garments soft to handle and help prevent static cling when tumble drying.

Starch

Stiffens and gives body to items of laundry, e.g. shirts, tablecloths and bed linen.

Automatic dispensing of fabric conditioner or liquid starch to laundry at the end of a programme



- Add the fabric conditioner or liquid starch to compartment ⌘. **Do not exceed the maximum level mark.**

It will be dispensed automatically in the last rinse. At the end of the programme a small amount of water remains in the fabric conditioner compartment ⌘.

If starching frequently, thoroughly clean the dispenser compartment, especially the siphon tube and fabric conditioner channel, regularly. See "Cleaning the detergent dispenser drawer". Do not use powder starch formulations or viscous liquid starch in the ⌘ compartment as it will clog up.

Adding fabric conditioner or starch separately

- Dispense in accordance with manufacturer's instructions on the packaging.
- Dispense liquids into the ⌘ compartment and powder or viscous formulations into the ▤ compartment.
- Select the *Starch* programme.
- Select a spin speed or the *Rinse hold* extra option.
- Touch the *Start* sensor.

Colour run and dye removers/dyes

- Do not use colour run or dye removers in this machine.
- Dyes suitable for use in domestic washing machines can be used. However, please note that the salt used in the dyeing process can cause corrosion to stainless steel components in the machine if you dye frequently. Follow the manufacturer's instructions carefully.

A range of Miele branded CareCollection products are available to order from Miele. See "Optional accessories".

Cleaning the drum (Hygiene info)

Washing at low temperatures and/or using liquid detergent can cause bacteria and unpleasant smells to build up in the machine. In order to clean the drum and also to prevent unpleasant smells building up, run a *Cottons 75°C* programme with powder detergent once a month or when the **Hygiene info** message appears in the display.

External casing and fascia panel

⚠ Disconnect the machine from the mains electricity supply and withdraw the plug from the socket before cleaning the machine.

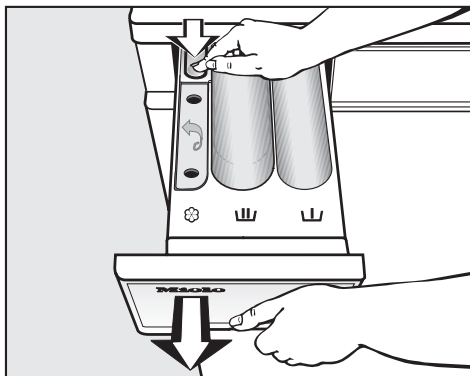
⚠ The machine must not be hosed down.

- Clean the casing with a mild non-abrasive cleaning agent or soap and water using a well wrung-out cloth. Wipe dry with a soft cloth.
- Stainless steel surfaces can be cleaned with a proprietary stainless steel cleaning agent, following the manufacturer's instructions on the packaging.

⚠ Do not use solvents, abrasive cleaners, glass cleaners or multi-purpose cleaning agents. These might damage plastic surfaces and other components because of the chemicals they contain.

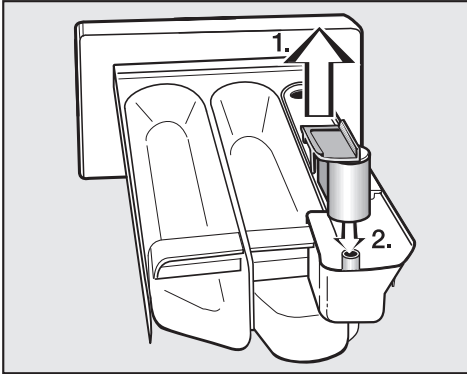
Cleaning the detergent dispenser drawer

The pre-wash and main wash compartments of the detergent dispensing drawer are self-cleaning. For hygiene reasons, clean the entire drawer at regular intervals.

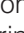


- Pull out the detergent dispenser drawer until a resistance is felt. Press down the release catch and at the same time pull the drawer right out of the machine.
- Clean the drawer with warm water.

Cleaning and care

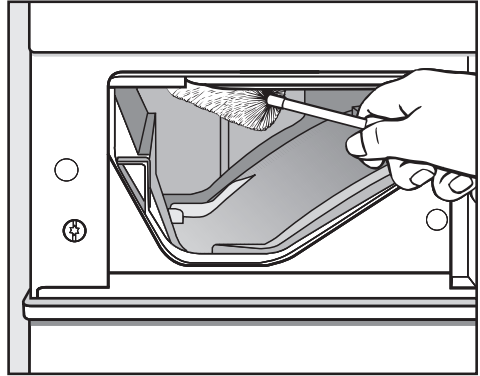


■ Clean the siphon.

1. Remove the siphon from compartment  and rinse under warm running water. Clean the siphon tube in the same way.
2. Replace the siphon.

If starching frequently, thoroughly clean the siphon and siphon tube regularly. A build-up of starch will cause them to get clogged.

Cleaning the detergent dispenser drawer housing



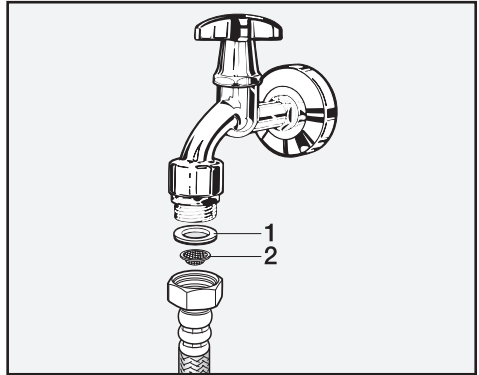
- Use a bottle brush to remove detergent residues and limescale from the jets inside the detergent dispenser drawer housing.

Cleaning the filter in the water inlet

The washing machine has a filter to protect the water inlet valve.

The accessible filter in the union in the open end of the inlet hose should be checked every six months, or more often if there are frequent interruptions to the external water supply.

- First turn off the stopcock.
- Unscrew the threaded union connecting the free end of the inlet hose to the stopcock.




- Remove the rubber seal **1** from the spigot nut.
- Hold the free end of the inlet hose upside down. The plastic filter **2** will fall out.
- Clean the plastic filter.
- Put the filter and seal back in the reverse order and reconnect the hose.

Turn on the stopcock and check the connection is watertight. If water drips out, tighten the connection.

Never forget to put the filter back in place after cleaning.

Problem solving guide





With the help of the following notes, minor faults in the performance of this machine, some of which may result from incorrect operation, can be put right without contacting the Service Department.

 Repair work to electrical appliances should only be carried out by a suitably qualified person in strict accordance with current local and national safety regulations. Repairs and other work by unqualified persons could be dangerous. The manufacturer cannot be held liable for unauthorised work.

The programme does not start

Problem	Possible cause	Remedy
The display remains dark.	There is no power to the machine.	Check whether <ul style="list-style-type: none">– the mains plug is plugged in and switched on.– the fuse or circuit breaker has tripped.
You are asked to enter a code.	Access via a code has been activated.	Enter the code and confirm the entry. Deactivate the code if you do not wish this message to appear in the display the next time the machine is switched on.
The display and the sensors are not lit up and the <i>Start</i> sensor is flashing.	To save energy the display and sensor illumination switches off automatically.	Touch the <i>Start</i> sensor briefly. The display and sensors will light up.

The following fault messages appear in the display and the programme stops

Fault message		Possible cause	Remedy ¹⁾
	Water inlet fault	The water inlet is blocked or restricted.	Check whether <ul style="list-style-type: none"> – the stopcock is opened properly. – the inlet hose is kinked. – the water pressure is too low.
	Drain fault	<ul style="list-style-type: none"> – The water outlet is blocked or restricted. – The drain hose has been fixed too high. 	<ul style="list-style-type: none"> – Clean the drain filter and the drain pump. – The maximum delivery head is 1 m.
	Waterproof system has reacted	The water protection system has reacted.	<ul style="list-style-type: none"> – Close the stopcock. – Call the Service Department.
	Technical fault F xxxx	There is a fault.	Start the programme again. If the fault message appears again, contact the Service Department.

¹⁾ To switch off the fault indicator: Switch the machine off with the ⓐ button.



Problem solving guide


The following fault messages appear in the display at the end of the programme

Fault message	Possible cause	Remedy
Check detergent	Excessive foam has built up during washing.	Use less detergent next time and follow the manufacturer's instructions on dosage given on the packaging.
Hygiene information.	A programme using a temperature above 60°C has not been run for a long time.	In order to prevent bacteria and unpleasant smells building up in the machine, run a <i>Cottons 75°C</i> programme using powder detergent.




Problems with the load size indicator		
Problem	Possible cause	Remedy
The display indicates a load of <25% or no load size is indicated when the drum is full.	There was already laundry in the drum when the washing machine was switched on. This has decalibrated the sensor from the zero setting.	<ul style="list-style-type: none"> ■ To recalibrate the sensor to the zero setting: <ul style="list-style-type: none"> – Remove the laundry from the drum and leave the door <u>open</u>. – Switch off the washing machine. – Switch on the washing machine. – In the <i>Settings</i> menu select <i>Load sensor zero setting</i>. – Activate the option. <p>The sensor will be recalibrated to the zero setting.</p>
The display indicates a load of 25%, 50%, 75% or 100% when the drum is empty.	The load size sensor has been decalibrated from the zero setting.	Rotate the drum once. If the display still indicates a load of 25% , 50% , 75% or 100% , recalibrate the sensor to zero again (see above section).

Problem solving guide

General problems		
Problem	Possible cause	Remedy
The machine shakes during the spin cycle.	The machine feet are not level.	Level the machine (see "Installation and connection").
The laundry has not been spun properly and is still wet.	The machine detected an imbalance during the final spin and reduced the spin speed automatically.	Include both large and small items in the load as this will give better distribution.
The laundry has not been spun satisfactorily.	The spin speed selected was too low.	Select a higher spin speed next time.
The pump makes strange noises.	This is not a fault! These noises occur at the end of a pump sequence as a normal part of the operation.	
There is a lot of detergent residue in the detergent drawer.	The water pressure is too low.	<ul style="list-style-type: none"> – Clean the water inlet filter. – Select Water plus.
	Powder detergent used with water softeners can be sticky.	Add washing powder and then add the water softener.
Fabric conditioner is not completely dispensed or too much water remains in the  compartment.	The siphon tube is not correctly positioned, or is clogged up.	Clean the siphon, (see "Cleaning and care - Cleaning the detergent dispenser drawer").
The display is in a different language.	A different language has been selected in <i>Settings Language</i>  .	Set the language you want. The flag symbol will guide you.
When laundry is dry it feels hard to the touch.	Too vigorous wash action.	Programme in gentle action and more water.
	Not enough detergent used.	Increase detergent dose to prevent limescale build up in laundry.
	No fabric conditioner used.	Use fabric conditioner in last rinse.

An unsatisfactory wash result		
Problem	Possible cause	Remedy
Liquid detergent does not give the required result.	Liquid detergents usually contain no bleaching agents. They do not remove fruit, coffee and tea stains.	<ul style="list-style-type: none"> – Use a general purpose detergent containing a bleaching agent. – Pour stain removers into compartment  of the dispenser drawer and liquid detergent into a dispenser ball. – Never put stain removers and liquid detergent together in the dispenser drawer.
Grey, greasy particles cling to washed laundry.	Insufficient amounts of detergent were used to break down the particles of grease in heavily soiled laundry.	<ul style="list-style-type: none"> – Use more detergent. – Before washing the next load run a <i>Cottons 75°C</i> programme with powder detergent but without a load.
A stale smell is in the drum and on laundry.	Low temperature washing.	<ul style="list-style-type: none"> – Before washing the next load run a <i>Cottons 75°C</i> programme with powder detergent but without a load.
White residues which look like powder detergent are seen on dark textiles after washing.	The detergent contained compounds (zeolites) to aid water softening which are not soluble in water. They have ended up on the laundry.	<ul style="list-style-type: none"> – Try and brush off the residues with a soft brush once the laundry is dry. – Wash dark textiles using a detergent which contains no zeolites. Liquid detergents usually contain no zeolites. – Use the <i>Dark garments</i> programme.
Clothes are coming out creased.	The machine was overloaded.	<ul style="list-style-type: none"> – Reduce quantity of clothes in drum.
	The wrong programme was used.	<ul style="list-style-type: none"> – Check care labels and the programme chart. – Use easy iron conditioners.

Problem solving guide


The drum door cannot be opened by pressing the  button	
Possible cause	Remedy
The machine is not connected to the electricity supply and/or is not switched on.	Insert the plug in the socket and switch on and / or switch the machine on with the  button.
The safety lock has been activated.	Deactivate the safety lock as described in "Select a programme - Safety lock".
Access via a code has been activated.	Deactivate the code as described in "Settings menu".
Power cut.	Open the drum door as described in the next section.
The door was not correctly engaged.	Press hard against the lock side of the drum door and then press the  button.
There is still water in the drum and the machine is unable to drain.	Clean the drain filter and drain pump as described in the next section.
The door will not open after the <i>Steam care</i> or <i>Freshen up</i> programme has finished.	The <i>Steam care</i> or <i>Freshen up</i> programme has been started several times one after the other. The steam has caused the temperature in the drum to rise above 55°C and the door will not open to prevent the risk of burning. Wait a few minutes until the temperature in the drum has decreased.
For safety reasons the drum door cannot be opened if the suds temperature is higher than 55°C.	

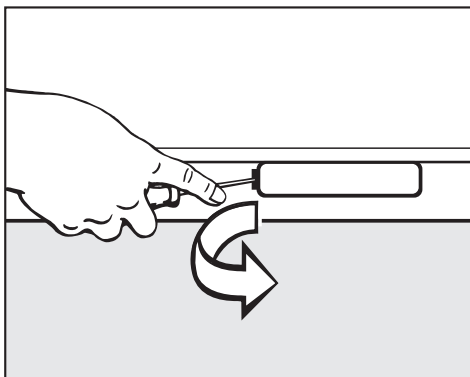
Opening the drum door in the event of a blocked drain outlet and/or power failure

- Switch the washing machine off.

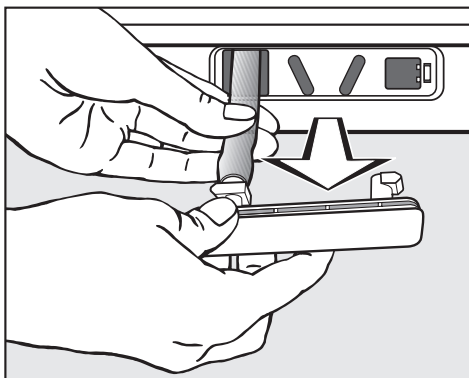
1. Drain the machine

If the drain outlet is blocked, **(up to 25 litres)** of water will be retained in the machine.

 Caution: if laundry has been washed at a high temperature, water draining out of the machine will still be hot. Danger of scalding!




- Use a screwdriver to open the flap in the machine plinth.
- Pull the flap and the drain hose attached to it out of the machine.
- Point the drain hose into a suitable container.



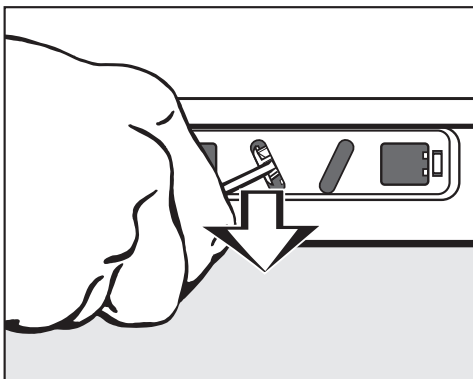
- Remove the stopper.
- Once the flow of water ceases, replace the stopper in the end of the hose.

Problem solving guide

2. Open the drum door

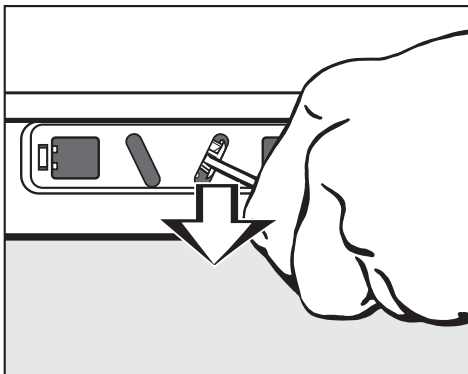
 Always make sure that the drum is stationary before reaching into the machine to remove laundry. Reaching into a moving drum is extremely dangerous.

Door hinged right



- Use a screwdriver to push the emergency door latch downwards (see illustration). The drum door will open.

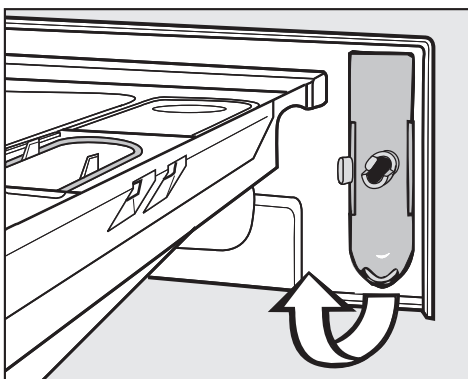
Door hinged left



- Use a screwdriver to push the emergency door latch downwards (see illustration). The drum door will open.

3. Clean the drain filter

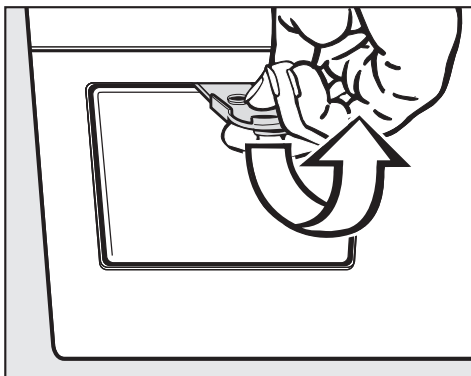
There is a lever behind the detergent drawer fascia panel.



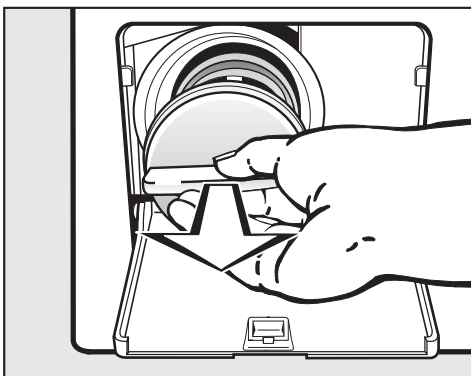
- Remove the lever.

Problem solving guide

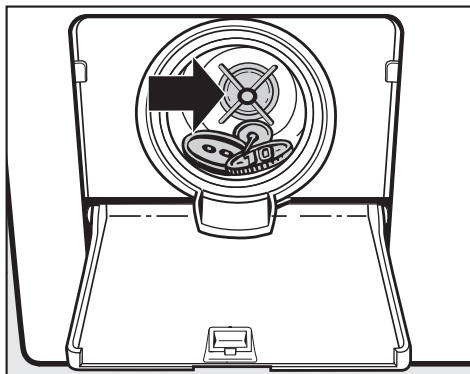
The drain filter access flap is visible when the drum door is open.




- Use the lever to open the access flap.



- Unscrew the drain filter completely.



- Check that the impeller can turn easily. Remove any foreign objects (e.g. buttons, coins, etc.) and fluff. Then clean the drain filter and the drain filter housing.
- Put the drain filter back in place and secure.

 Make sure the drain filter is securely tightened. Otherwise there is a risk of water leakage during use.

To avoid loss of detergent, pour approx. 2 litres of water into the detergent dispenser drawer after cleaning the drain filter. Excess water will be pumped out automatically before the next wash programme.

After sales service

In the event of any faults which you cannot remedy yourself, please contact:

- your Miele Dealer or
- Miele (see back cover for contact details).

When contacting your Dealer or Miele, please quote the model and serial number of your machine, both of which are shown on the data plate visible above the porthole glass when the door is open.

N.B. A call-out charge will be applied for service visits where the problem could have been resolved as described in these instructions.

Future updates (PC)

The indicator light marked PC is the interface used by Miele service technicians during servicing work for testing purposes and for updating the machine's programme data.

Appliance guarantee

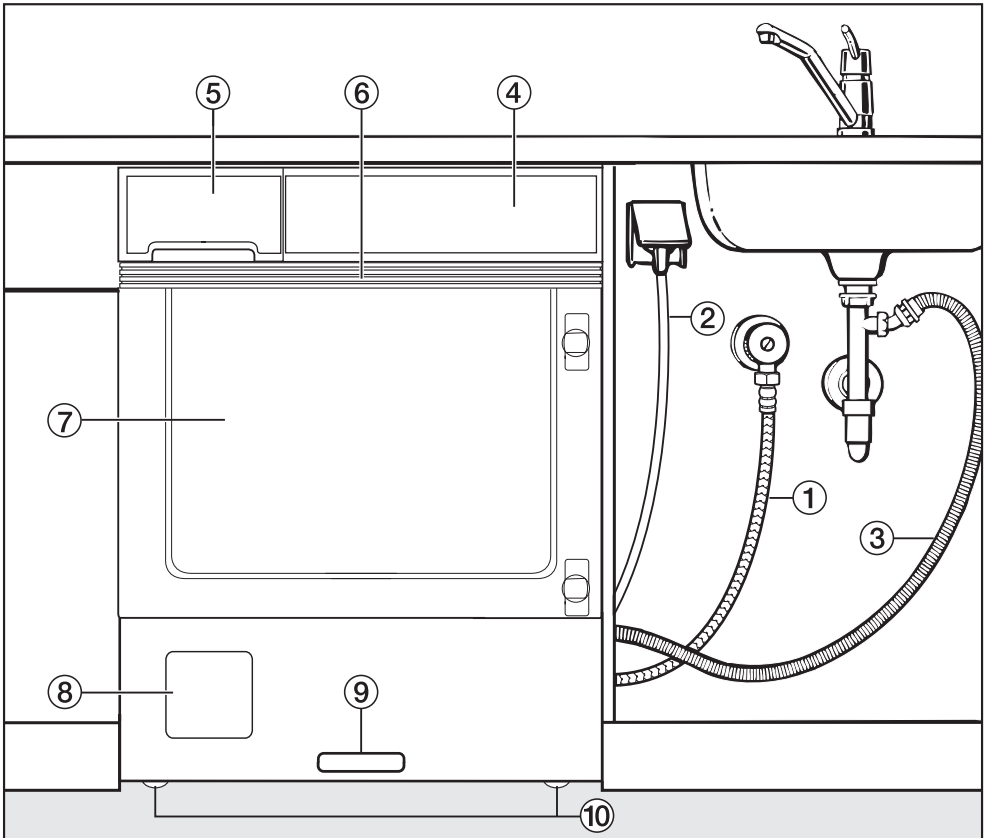
Please see the guarantee card supplied with your machine.

Optional spare parts and accessories

Optional spare parts and accessories for this washing machine are available from your Miele Dealer, the Miele Spare Parts Department or via the internet at www.miele-shop.com.

Please note that telephone calls may be monitored and recorded for training purposes.

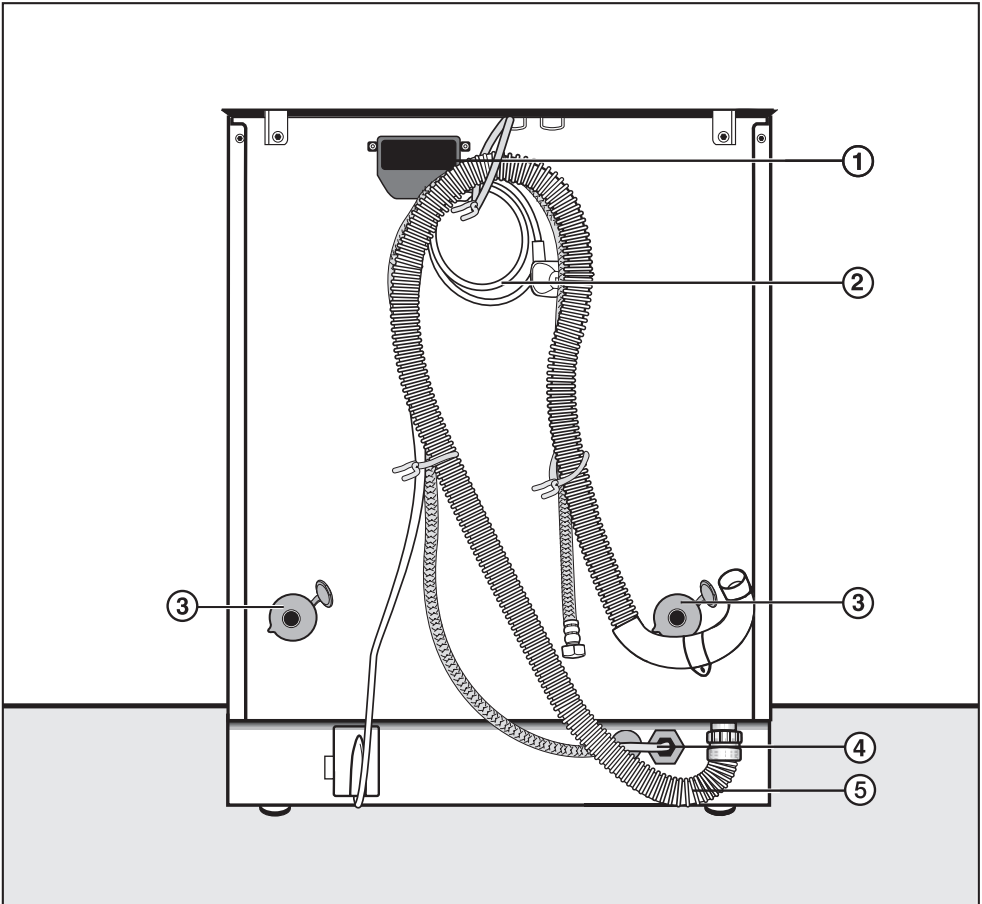
Front view



- ① Flexible stainless steel braided inlet pressure hose
- ② Electricity supply cable
- ③ Drain hose with flexible / detachable swivel elbow
- ④ Control panel
- ⑤ Detergent dispenser drawer
- ⑥ Adapter strip
- ⑦ Drum door
- ⑧ Access to drain filter and the pump
- ⑨ Access panel to the emergency door release and drainage
- ⑩ Four height adjustable screw feet

Installation and connection

Rear view



① Slot for Miele@home communication module

② Electrical connection

③ Safety cap for transit bars

④ Inlet hose (with flexible, waterproof metallic outer sleeve)

⑤ Drain hose

Installation surface

A concrete floor is the most suitable installation surface for a washing machine, being far less prone to vibration during the spin cycle than wooden floorboards or a carpeted surface.

Please note the following points:

- The machine must be level and securely positioned.
- To avoid vibrations during spinning, the machine should not be installed on soft floor coverings.

If installing on a wooden joist floor:

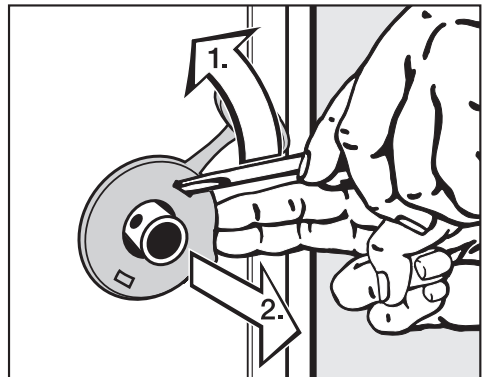
- We recommend the use of a plywood base (at least 59x52x3cm). The base should span several joists and be bolted to the joists and not only to the floorboards. Check for the presence of pipes and cables first.
- If possible, install the machine in a corner as this is usually the most stable part of the floor.
- If the machine is installed on a raised plinth, it has to be secured against slippage during spin using retaining clips (available from the Miele Spare Parts Dept). Otherwise there is a danger of the machine moving and falling off the plinth.

Installing the washing machine

To manoeuvre the machine out of its packing case to its installation site, hold it by the rear feet and by the handle recesses at the front.

⚠ Ensure that the machine feet and the floor are dry to prevent the machine from slipping during the spin cycle.

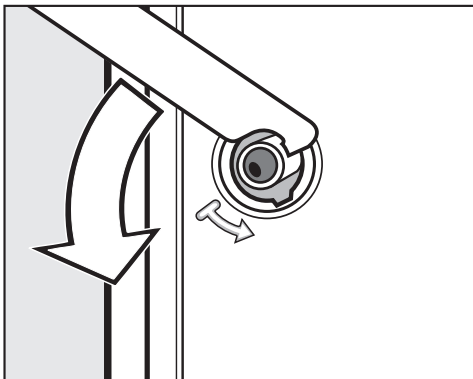
Removing the transit fittings



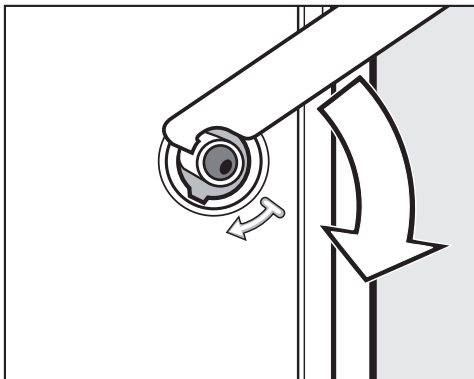
- To remove the left and right covers

1. Use a screwdriver to prise out the cover as illustrated.
2. Pull the cover forwards to remove.

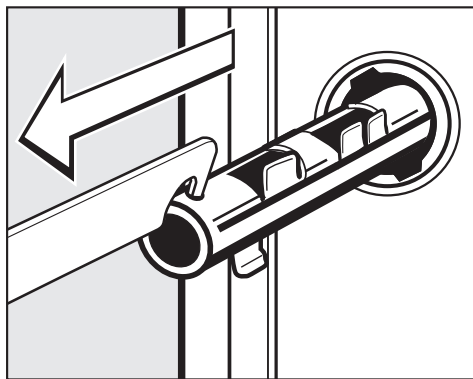
Installation and connection



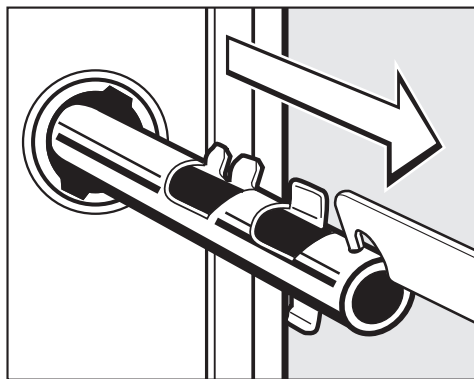
- Using the spanner supplied turn the left-hand transit bar 90°, then




- Turn the right-hand transit bar 90°, then

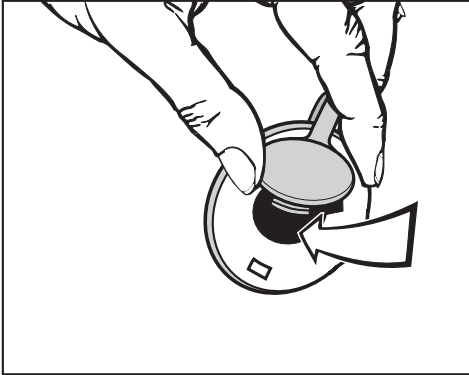


- withdraw the transit bar.




- withdraw the transit bar.

 To avoid the risk of injury the holes for the transit bars must be covered after the transit bars have been removed.



- Fit the covers onto the two holes. Then plug the holes as shown with the caps.

 The washing machine must not be moved without the transit bars in place.

Store them in a safe place for future use. They must be re-fitted if the machine is to be moved again (e.g. when moving house).

Re-fitting the transit bars

Re-fitting is carried out by reversing the procedure.

Installation and connection

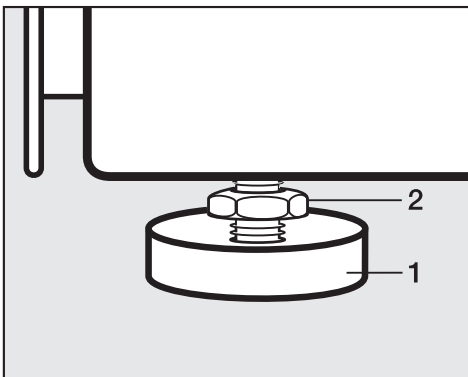
Levelling the machine

The machine must stand perfectly level on all four feet to ensure safe and proper operation.

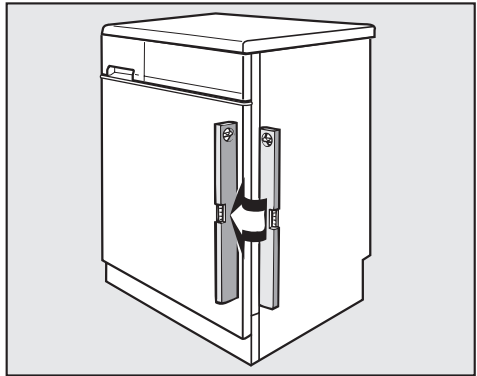
Incorrect installation may increase electricity and water consumption and may cause the machine to move about.

Screwing out and adjusting the feet


The four adjustable screw feet are used to level the machine. All four feet are screwed in when the machine is delivered.



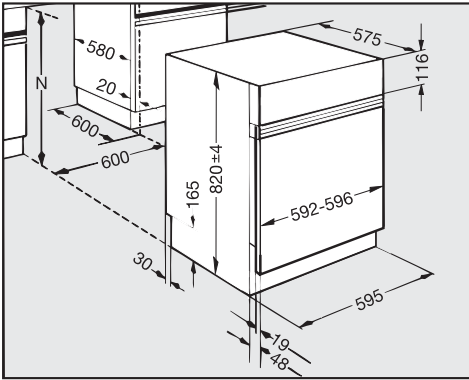
- Using the spanner supplied turn counter nut **2** in a clockwise direction. Then turn counter nut **2** together with foot **1** to unscrew.



- Use a spirit level to check the machine is standing level.
- Hold foot **1** securely with a pipe wrench. Turn counter nut **2** again using the spanner supplied until it sits firmly up against the housing.

 All four counter nuts must be firmly up against the housing. Please also check this for the feet which did not need adjustment. Otherwise there is the danger of the machine moving about.

Building under a continuous worktop / in a kitchen run

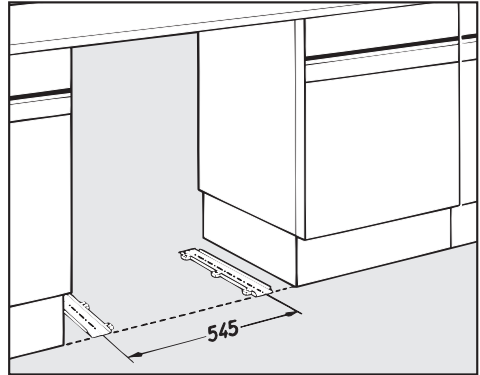


N = Niche height (820 - 930 mm)

This machine is specially designed for installation under a continuous worktop run in a fitted kitchen.

It is supplied with a cover plate, instead of a lid, which is necessary to ensure electrical safety and must not be removed.

The washing machine must not be used without the front panel in place.



- The slides* can be used to protect the floor from damage when the machine is pushed into position or taken out for servicing.
- Connections for electricity, water and drainage should be installed in such a way that they remain accessible when the machine is in place.

With niche heights of:

Niche height (mm)	Accessory
820	None required
from 830 - 840	Fit longer screw feet* (Set to approx. 40 mm)
from 870 -885	Use one raising kit*
from 915 -930	Use two raising kits*

* accessory available to order

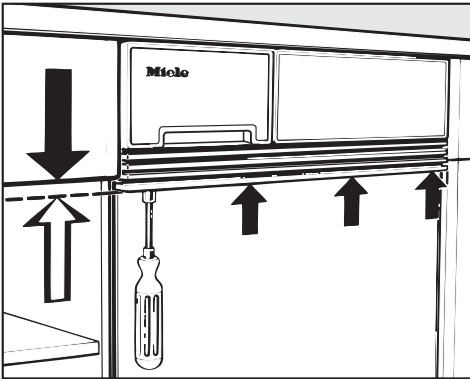
If the kitchen run has a continuous furniture plinth in place, a gap must be made for the washing machine.

Installation and connection

Matching the fascia panel to the height of adjacent drawer fronts

Spacer bars

The fascia panel can be aligned with the drawer fronts by adjusting the spacer bars.



- Using a socket spanner, turn clockwise or anti-clockwise until the required height is reached.

If necessary individual bars can be removed or more added.

- To do this, use the socket spanner to loosen the nuts.

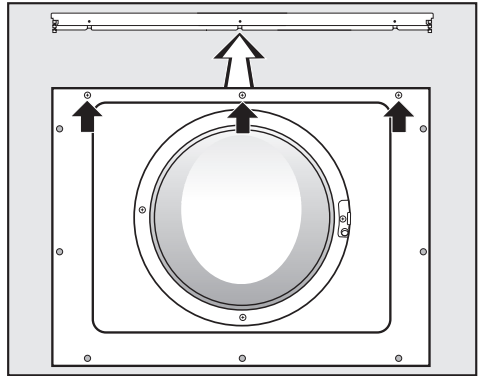
An adapter kit with spacer bars and longer screws can be ordered as an optional accessory. This can be used to add spacer bars from below up to a maximum of 25 mm.

After fitting the bars, cut or pinch off any excess length from the screws.

Removing the spacer bars

All the spacer bars can be removed if the upper edge of the front panel needs to be flush with the upper edge of the machine front directly underneath the fascia panel. See "Fitting a front panel made by another manufacturer".

- Open the door.



- Unscrew and remove the 3 screws (see arrows).
- Remove all the spacer bars.

The 3 holes which are now free should be used to screw the front panel to the machine front later on.

Fitting the front panel

The machine front can be fitted with a door panel to match other kitchen units.

If fitted in a Miele kitchen, the door panel can be ordered pre-drilled with the necessary fixing holes as an optional accessory.

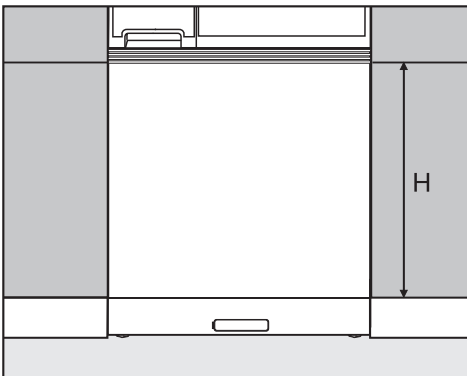
If fitted in a non-Miele kitchen, a suitable panel will have to be drilled to suit by a qualified kitchen fitter. See "Fitting a door front panel made by another manufacturer" for details on preparing and drilling the fixing holes.

Front panel dimensions

Width: 592 - 596 mm

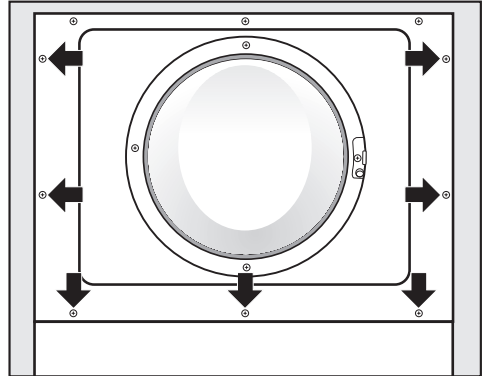
Thickness: 17 to 19 mm (corresponding to the thickness of the adjacent unit door front panels)

Height: The height of the door front panel corresponds to the door height (**H**) of the adjacent units.



Fitting the front panel

- Open the door.
- Hold the front panel in the correct position in front of the machine door.



- Screw the front panel to the machine door.

If all the spacer bars have been removed:

You can also make use of the 3 holes at the top of the door plate to screw the front panel to the door plate.

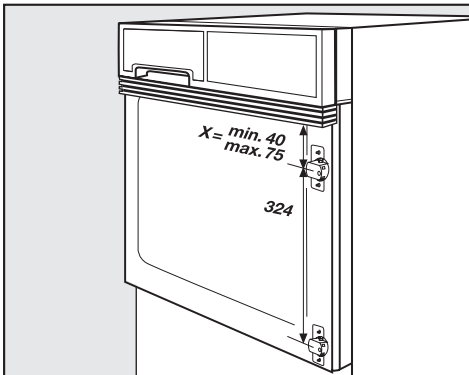
Installation and connection

Fitting a door front panel made by another manufacturer

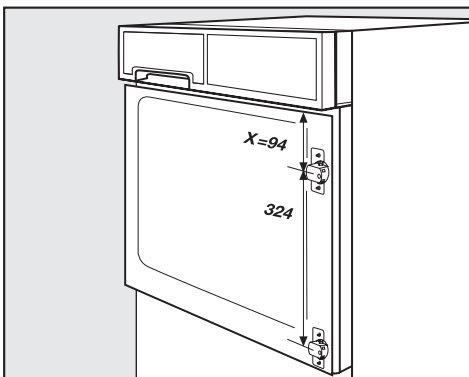
Preparing the front panel

① Measure distance **X** for drilling the hinge holes.

– with spacer bars:



– without spacer bars:



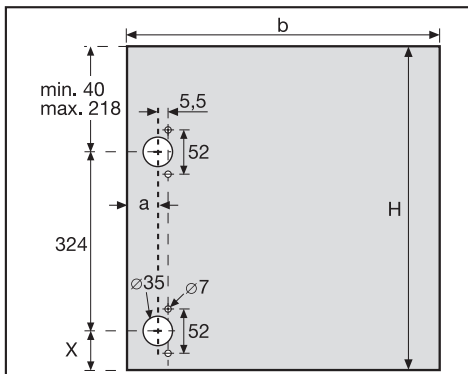
(the front panel must be correspondingly higher)

② Mark the two hinge holes and the four smaller holes as shown in the diagram.

Depending on country this machine is supplied either left or right hand hinged.

For left hand hinging only:

– front panel shown decor side face down, upper edge at the bottom:



if width (**b**) increases, measurement **a** must also be increased

b = 592 mm → **a** = 21.5 mm

b = 593 mm → **a** = 22.0 mm

b = 594 mm → **a** = 22.5 mm

b = 595 mm → **a** = 23.0 mm

b = 596 mm → **a** = 23.5 mm

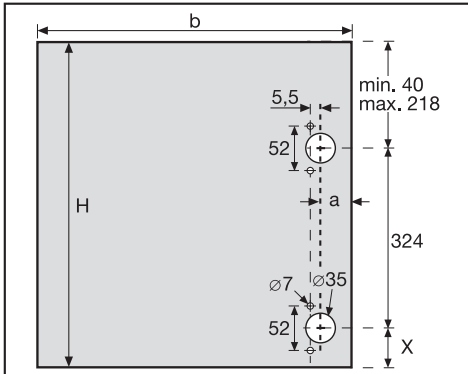
The height **H** of the door front panel corresponds to the door height of the adjacent units.

Installation and connection

For right hand hinging only

– front panel shown decor side face down, upper edge at the bottom:

if width (**b**) increases, measurement **a** must also be increased



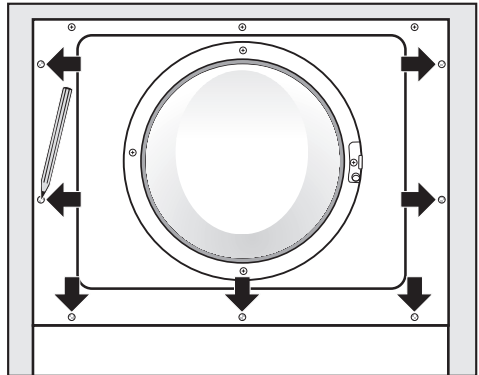
- b** = 592 mm → **a** = 21.5 mm
- b** = 593 mm → **a** = 22.0 mm
- b** = 594 mm → **a** = 22.5 mm
- b** = 595 mm → **a** = 23.0 mm
- b** = 596 mm → **a** = 23.5 mm

The height **H** of the door front panel corresponds to the door height of the adjacent units.

- 3 Drill the two hinge holes (\varnothing 35 mm/ 15.5 mm deep) in the back of the front panel.
- 4 Next, drill the four smaller holes (\varnothing 7 mm/10 mm deep) in the back of the front panel.
- 5 Shorten the front panel from the bottom to height **H**.

Preparing the fixing points

- 6 Hold the pre-drilled front panel in the correct position in front of the machine door.



- 7 Mark the fixing points on the back of the front panel through the holes in the machine door plate (see arrows in the illustration).
- 8 Remove the front panel.
- 9 Now drill holes (\varnothing 2.5 mm/10 mm deep) in the back of the front panel.

Installation and connection

Fitting a plinth facing

The gap between the lower edge of the washing machine plinth and the floor can be closed up using a suitable kitchen furniture plinth facing.

The washing machine plinth has a special groove in which a plinth facing can be fitted.

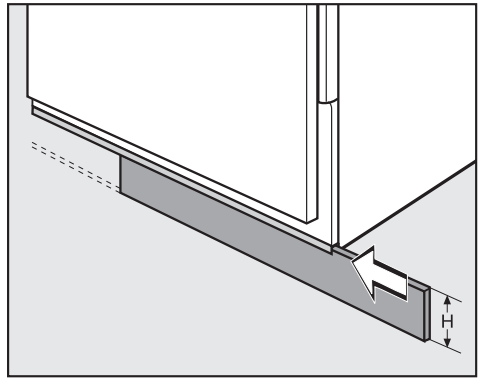
Plinth facing dimensions

Length: 592 - 596 mm

Thickness: 8 mm

Height (H): The plinth facing height must be calculated after aligning the height of the machine with the screw feet or after fitting the raising kit(s).

Installation



- Calculate height (**H**) from the floor up into the groove (on the underside of the washing machine).
- Cut the plinth facing to size.
- Slide it into the groove.

Useful tip:

If the machine is fitted on a raising kit, you can use double-sided adhesive tape on the back of the plinth facing to secure it to the raising kit.

The Miele water protection system

The Miele water protection system protects the washing machine from water damage.

The system consists of three main components:

- 1) the inlet hose
- 2) the electronic unit and the washing machine housing
- 3) the drain hose

1) Inlet hose

- The inlet hose can withstand pressure of more than 14,000 kPa
- The inlet hose has a protective sleeve which is made from metal to protect the hose from damage.

2) Electronic unit and washing machine housing

- Sump

Any leaking water is collected in a sump in the base of the appliance. A float switches off the safety valves, preventing any more water flowing into the machine and water in the suds container is pumped away.

- Overflow protection

This prevents the washing machine taking in too much water. If the water level exceeds a certain level, the drain pump switches in and pumps the excess water away.

3) Drain hose

The drain hose is protected by a ventilation system which prevents the washing machine from being emptied completely.


Installation and connection

Connection to the water supply

The machine should be connected to a mains water supply in accordance with local and national safety regulations. The German authorities do not require it to have a non-return valve as the washing machine has been designed to comply with DIN regulations.

The machine is designed to operate with a flow pressure of between 100 kPa and 1,000 kPa. If it is higher than 1,000 kPa it is essential to fit a reducer valve.

Connection to the mains water supply should incorporate a mains stopcock with $\frac{3}{4}$ " thread. The stopcock should be fitted by a qualified plumber.

 The connection point is subject to mains water pressure. Turn on the stopcock slowly and check for leaks. Correct the position of the washer and union if appropriate.

The washing machine is **not** suitable for connection to a hot water supply.

The dirt filter in the union at the open end of the inlet hose must not be removed.

Extension hose

A 1.5 metre long (metal) extension hose is available from your Miele dealer or the Miele Spare Parts Department as an optional extra.

This hose is tested to withstand pressures of up to 14,000 kPa and can be used as a flexible extension to the water supply.

Maintenance and care

Only use a genuine Miele flexible stainless steel braided pressure hose should you ever need a replacement or extension. These are tested to withstand pressure of at least 14,000 kPa.

Connection to the drainage system

The machine drains via a drain pump with a delivery head of 1 metre*. The drain hose must not be kinked as this restricts drainage. The swivel elbow at the end of the hose can be turned in either direction, or can be detached if required, with a sharp twist and pull.

If required, the drain hose can be extended to a length of 5 m. The necessary parts can be purchased from the Miele Spare Parts Department or your Miele dealer.

* For a delivery head of more than 1 m (up to a max. of 1.8 m) a replacement drain pump will need to be fitted. Please contact the Miele Spare Parts Department or your Miele Dealer.

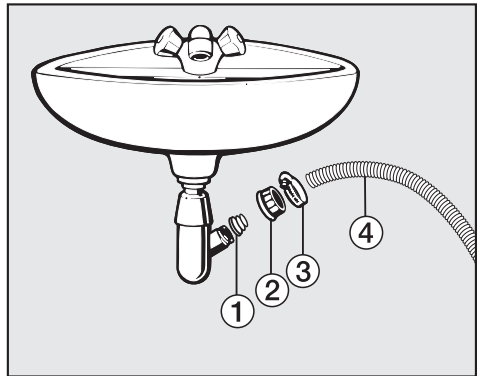
Drain hose connection:

1. Direct into a sink or basin:

Please note the following:

- Hook the hose over the edge and secure.
 - Make sure that the water can drain away freely without hindrance. Otherwise there is a risk of water overflowing or of some of the drained water being sucked back into the machine.
2. Connected securely to a plastic drain pipe with a rubber nipple. There is no need to use a non-return valve.
 3. Connected securely to a standpipe.
 4. Connected securely to a floor gully.

Please note:



① Adapter

② Nut

③ Hose clip

④ End of the hose

- Fit adapter ① to the sink drain outlet using nut ②.
- Attach the end of the hose ④ to adapter ①.
- Use a screwdriver to tighten hose clip ③ up close to the nut.

Installation and connection

Electrical connection U.K.

All electrical work should be carried out by a suitably qualified and competent person, in strict accordance with current national and local safety regulations (BS 7671 in the UK).

Ensure power is not supplied to the appliance until after installation work has been carried out.

The appliance is supplied with a mains cable with moulded plug ready for connection to a 230-240V mains supply.

Please ensure the connection data quoted on the data plate match the household mains supply.

Connection should be made via a suitable switched socket which is easily accessible after installation.

For extra safety it is advisable to protect the machine with a suitable residual current device (RCD). Contact a qualified electrician for advice.

Do not connect via an extension lead. Extension leads do not guarantee the required safety of the appliance (e.g. danger of overheating).

Non-rewireable plugs BS 1363

The fuse cover must be refitted when changing the fuse, and if the fuse cover is lost, the plug must not be used until a suitable replacement is obtained. The colour of the correct replacement cover is that of the coloured insert in the base of the plug, or the colour that is embossed in words on the base of the plug (as applicable to the design of plug fitted).

Replacement fuses should be ASTA approved to BS 1362 and have the correct rating. Replacement fuses and fuse covers may be purchased from your local electrical supplier.

WARNING: THIS APPLIANCE MUST BE EARTHED

Consumption data

		Load	Consumption data			
			Energy in kWh	Water in litres	Duration	
					Short	Normal
Cottons	95°C	5.5 kg	1.75	45		2 h 09 min
	60°C ¹⁾	5.5 kg	0.73	45		2 h 39 min
	60°C	2.75 kg	0.57	39		1 h 49 min
	40°C ¹⁾	5.5 kg	0.60	57		2 h 19 min
	40°C ²⁾	2.75 kg	0.48	39	1 h 16 min	
Minimum iron	40°C ¹⁾	3.0 kg	0.45	45		1 h 19 min
Delicates	30°C	1.5 kg	0.33	65		59 min
Automatic plus	40°C	4.5 kg	0.50	55	–	1 h 27 min
Dark garments	40°C	3.0 kg	0.58	55	1 h 02 min	1 h 12 min
Shirts	60°C	1.5 kg	0.90	52		1 h 12 min
Denim	40°C	2.5 kg	0.45	48	50 min	1 h 00 min
Express 20	40°C	2.5 kg	0.30	34	20 min	
Woolens 🧶	30°C	2.0 kg	0.23	39	–	39 min
Silks 🧶	30°C	1.0 kg	0.25	39	–	36 min
Sportswear	40°C	2.0 kg	0.45	32	47 min	1 h 07 min
Trainers	40°C	1.5 kg	0.46	40	–	59 min
Outerwear	40°C	2.0 kg	0.45	59	53 min	1 h 03 min
Hygiene	60°C	5.5 kg	1.50	60	–	2 h 36 min
First wash	30°C	3.0 kg	0.25	42	–	58 min
Proofing	40°C	2.0 kg	0.35	12	–	40 min
Curtains	40°C	1.0 kg	0.35	30	–	55 min
Pillows	60°C	1.0 kg	0.90	44	–	1 h 18 min
Soft toys	30°C	1.0 kg	0.25	45	–	52 min

Notes for test institutes:

- 1) EN 60456 test programme
- 2) Short programme for test institutes; the *Short* extra option must be selected.

Consumption data can vary from the nominal values given depending on water pressure, water hardness, water inlet temperature, room temperature, type and volume of load, fluctuations in the electricity supply and any extra options selected.

Technical data

Height	820 mm
Width	595 mm
Depth	575 mm
Depth with door open	1180 mm
Weight	96 kg
Capacity	5.5 kg dry laundry
Voltage	See data plate
Connected load	See data plate
Fuse rating	See data plate
Consumption data	See "Consumption data"
Minimum water flow pressure	100 kPa (1 bar)
Maximum water flow pressure	1000 kPa (10 bar)
Inlet hose length	1.60 m
Drain hose length	1.50 m
Mains connection cable length	1.60 m
Delivery head max.	1.00 m
Maximum drainage length	5.00 m
LEDs	Class 1
Test certificates awarded	See data plate

The Settings menu can be used to alter the machine's electronics to suit changing requirements. Settings can be altered at any time.

To open the Settings menu


- Select the *Settings*  option.

To select a setting

- Use the sensors to select the setting you want.

Language

The display can be set to appear in one of several different languages.

To select the language you want, go to the *Language*  sub-menu.

The flag after the word *Language* acts as a guide to prevent a language which will not be understood from being set.

Time

The time can be set to appear as a 24 hour or 12 hour clock. You can also use this setting to adjust the time of day.

Clock format

You can select either a 24 hour or 12 hour clock.

The machine is delivered with the clock format set as a 24 hour clock.

Set the time of day

Use this option to set the current time of day.

Gentle action

Activating gentle action reduces the drum action and is suitable for washing slightly soiled items more gently. It should be activated for garments with a single bar under the care label and for articles which feel too hard after they have been dried.

Gentle action can be activated for the *Cottons* and the *Minimum iron* programmes.

The machine is delivered with the *Off* option activated.

Settings menu 🏠

Longer pre-wash for Cottons

The pre-wash for the *Cottons* programme can be extended by 6, 9 or 12 minutes.

The default setting for the pre-wash is 25 minutes.

If you require a longer pre-wash, this time of 25 minutes can be extended.

The machine is delivered with no additional time for the pre-wash selected.

Suds cooling

When this is activated, additional water flows into the drum at the end of the main wash to cool the suds down. Hot suds can damage plastic drainage pipes.

Suds cooling takes place when a *Cottons* programme with a temperature of 70°C or higher is selected.

Suds cooling should be activated:

- to prevent the danger of scalding if the drain hose is hooked over the edge of a sink or basin.
- where the drainage pipes do not comply with DIN 1986.

The machine is delivered with the *Off* option activated.

Code

The code prevents the washing machine being used without your knowledge.

When the code has been activated, you have to enter a code after switching the washing machine on. Otherwise the washing machine cannot be operated.

To activate the code

The display will request a code. The code is **125** and cannot be altered.

- Use **+** to enter the first number.
- Confirm the first number with **OK** and then enter the second number. Repeat the process until all three numbers have been entered.
- After the last number has been entered, you must confirm the code with **OK**.

To use the washing machine when the code is activated

Each time the washing machine is switched on again, the display will request the code.

- Enter code **125** with the **+** and **-** sensors.
- The washing machine is now unlocked and ready for use.

To deactivate the code

- Proceed as for activating the code.

You can now switch on the washing machine without being asked to enter a code.

Temperature unit

You can choose for the temperature to be displayed in °C/*Celsius* or °F/*Fahrenheit*.

The machine is delivered with °C/*Celsius* as the default setting.

Buzzer

When the buzzer function has been activated, an audible tone sounds at the end of a programme or when Rinse hold is reached.

There are three different options:

Off

(The machine is delivered with this option selected.)

The buzzer is switched off but sounds at maximum volume if there is a fault.

Normal

The buzzer sounds at the end of a programme or when Rinse hold is reached.

Loud

The buzzer sounds at maximum volume (*Loud*) at the end of a programme or when Rinse hold is reached.

Keypad tone

An audible tone sounds each time a button is pressed.

The machine is delivered with the keypad tone switched off.

Brightness

There are seven different display brightness settings.

The machine is delivered with the display brightness on Setting 4.

The brightness will change as soon as a different setting is chosen.

Contrast

There are seven different display contrast settings.

The bar chart shows you the setting.

The machine is delivered with the display contrast on Setting 3.

The contrast will change as soon as a different setting is chosen.

Settings menu 🏠

Display / keypad illumination

The display and sensor illumination switches off to save energy.

Off after 10 minutes

The display and sensor illumination will switch off 10 minutes after the programme has started. Touching one of the sensors switches the illumination back on.

"On" whilst programme is running

(The machine is delivered with this option selected.)

The display and sensors remain lit up whilst the programme is running.

Memory

If an extra option has been selected for a programme, or the recommended temperature or spin speed has been altered, the machine will store the changes in memory at the start of the programme.

When this programme is chosen again these settings will appear in the display.

The memory function is not active if a favourite programme has been selected.

The machine is delivered with the *Off* option activated.

Anti-crease

Anti-crease helps prevent creasing if laundry is not removed immediately after the end of a programme.

The drum will turn at intervals for up to 30 minutes after the programme has finished. The door can be opened and laundry removed at any time during the anti-crease phase.

The machine is delivered with the *On* option activated.

Load sensor zero setting

If the load size sensor shows an incorrect value the sensor must be recalibrated to zero.

When recalibrating the sensor to zero please ensure the following:

1. The drum must be empty.
2. The door must be open.
3. Turn the drum once by hand.
4. Recalibrate the sensor to zero.

To come out of the Settings menu

Touch the <C sensor repeatedly until you return to the main menu.

Miele washing machines offer perfect care for your laundry and feature a wide range of special programmes designed to suit the fabric being washed. Miele have also developed a range of specialist CareCollection detergents and conditioning products to offer you a complete package for cleaning and caring for your laundry.

The Miele CareCollection detergents and conditioning products are listed below. You can order these and many other useful products via the internet at:



All the products can also be ordered via the Miele Customer Contact Centre (see back cover for contact details).

CareCollection

Miele specialist detergents

"Outdoor wear"

This specialist detergent will clean your water-repellent outerwear with care.

"Sportswear"

The Miele Sportswear detergent is designed to clean sportswear and remove odours whilst taking care of the special microfibres used in these garments.

"Down Items"

This special-purpose detergent contains a mild tenside and has been specially formulated to keep down-filled items supple and to give them bounce.

Miele proofing agent

This special finishing agent reproofs garments against wind and water and provides a dirt-repellent finish whilst retaining elasticity and breathability.

Optional accessories

"UltraWhite" detergent

This multi-purpose powder detergent has excellent stain removal properties and is suitable for white and light coloured laundry as well as heavily soiled coloured items.

"UltraColor" detergent for coloured garments

This liquid detergent is particularly suitable for cleaning coloured and dark garments. The special formulation offers effective stain removal, even at low temperatures, while helping to prevent colours fading.

Liquid detergent "For Delicates"

This liquid detergent is ideal for the gentle treatment of delicate fabrics, such as wool and silk. Its special formulation cleans effectively at temperatures as low as 20°C, while protecting the colour of your delicate garments.

Fabric conditioner

The Miele fabric conditioner will give your laundry a fresh, natural fragrance. It makes garments soft to handle and prevents static build-up during tumble drying.

United Kingdom

Miele Co. Ltd.
Fairacres, Marcham Road
Abingdon, Oxon, OX14 1TW
Tel: 0845 365 0555
Fax: 0845 365 0777
Customer Contact Centre Tel: 0845 365 6600
E-mail: info@miele.co.uk
Internet: www.miele.co.uk

Australia

Miele Australia Pty. Ltd.
ABN 96 005 635 398
1 Gilbert Park Drive, Knoxfield, VIC 3180
Tel: (03) 9764 7130, Fax: (03) 9764 7149
Internet: www.miele.com.au

China

Miele (Shanghai) Trading Ltd.
1-3 Floor, No. 82 Shi Men Yi Road
Jing' an District
200040 Shanghai, PRC
Tel: +86 21 6157 3500
Fax: +86 21 6157 3511
E-mail: mieleshanghai@cn.miele.com
Internet: www.miele.cn

Miele (Hong Kong) Limited

41/F - 4101, Manhattan Place
23 Wang Tai Road
Kowloon Bay
Hong Kong
Tel: (852) 2610 1331
Fax: (852) 2610 1013
Email: mielehk@miele.com.hk

India

Miele India Pvt. Ltd.
Ground Floor, Copia Corporate Suites
Plot No. 9, Jasola
New Delhi - 110025
Tel: 011-46 900 000, Fax: 011-46 900 001
E-mail: customercare@miele.in
Internet: www.miele.in

Manufacturer: Germany - Miele & Cie. KG
Carl-Miele-Straße 29, 33332 Gütersloh



Ireland

Miele Ireland Ltd.
2024 Bianconi Avenue
Citywest Business Campus, Dublin 24
Tel: (01) 461 07 10, Fax: (01) 461 07 97
E-Mail: info@miele.ie, Internet: www.miele.ie

New Zealand

Miele New Zealand Limited
Unit L, 10-20 Sylvia Park Road
Mt. Wellington, 1060, Auckland, NZ
Tel: 0800 264 353, Fax: 0800 463 453
Internet: www.miele.co.nz

Singapore

Miele Southeast Asia
Miele Pte. Ltd.
163 Penang Road
04 - 02/03 Winsland House II
Singapore 238463
Tel: +65 6735 1191, Fax: +65 6735 1161
E-Mail: infosea@miele.com.sg
Internet: www.miele.sg

South Africa

Miele (Pty) Ltd
63 Peter Place, Bryanston 2194
P.O. Box 69434, Bryanston 2021
Tel: +27 (0) 11 548-1900
Fax: +27 (0) 11 548-1935
E-mail: info@miele.co.za
Internet: www.miele.co.za

United Arab Emirates

Miele Appliances Ltd.
P.O. Box 11 47 82
Gold & Diamond Park
Sheikh Zayed Road
Building 6 / Offices Nos. 6-214 to 6-220
Dubai
Tel: +971-4-341 84 44
Fax: +971-4-341 88 52
E-Mail: info@miele.ae
Internet: www.miele.ae



Free Manuals Download Website

<http://myh66.com>

<http://usermanuals.us>

<http://www.somanuals.com>

<http://www.4manuals.cc>

<http://www.manual-lib.com>

<http://www.404manual.com>

<http://www.luxmanual.com>

<http://aubethermostatmanual.com>

Golf course search by state

<http://golfingnear.com>

Email search by domain

<http://emailbydomain.com>

Auto manuals search

<http://auto.somanuals.com>

TV manuals search

<http://tv.somanuals.com>