



OPERATOR'S MANUAL
MANUEL de L'UTILISATEUR
MANUAL del OPERADOR

Cat. No.
No de Cat.
0780-20
0880-20



CORDLESS WET/DRY VACUUMS
ASPIRATEUR D'ATELIER SANS FIL
ASPIRADORAS PARA SUPERFICIES HÚMEDAS Y SECAS INALÁMBRICAS

TO REDUCE THE RISK OF INJURY, USER MUST READ AND UNDERSTAND OPERATOR'S MANUAL.

AFIN DE RÉDUIRE LE RISQUE DE BLESSURES, L'UTILISATEUR DOIT LIRE ET BIEN COMPRENDRE LE MANUEL DE L'UTILISATEUR.

PARA REDUCIR EL RIESGO DE LESIONES, EL USUARIO DEBE LEER Y ENTENDER EL MANUAL DEL OPERADOR.

IMPORTANT SAFETY INSTRUCTIONS

⚠ WARNING WHEN USING AN ELECTRICAL APPLIANCE, BASIC PRECAUTIONS SHOULD ALWAYS BE FOLLOWED, INCLUDING THE FOLLOWING: READ ALL INSTRUCTIONS BEFORE USING VACUUM. FOR HOUSEHOLD USE ONLY.

WORK AREA SAFETY

- Keep work area clean and well lit. Cluttered or dark areas invite accidents.
- Vacuum cleaners have motors and other parts that can produce sparks during normal use. Do not use within 30 feet of areas where explosive materials may be present (such as gasoline pumps and places where liquids like paint thinners, cleaners, solvents, etc. are stored).
- Do not use in the presence of explosive dust, liquids or vapors.
- Do not use where oxygen or anesthetics are used.
- Do not allow to be used as a toy. Close attention is necessary when used by or near children.
- Use extra care when cleaning on stairs.

ELECTRICAL SAFETY

- Wear electrically insulated footwear, such as rubber boots, when vacuuming wet material.
- Do not handle battery pack or vacuum with wet hands.

PERSONAL SAFETY

- STAY ALERT. Watch what you are doing and use common sense. Do not use vacuum cleaner when you are tired, distracted or under the influence of drugs, alcohol or medication causing diminished control.
- The operation of a utility vacuum can result in foreign objects being blown into eyes, which can result in eye damage. Always wear safety goggles when operating vacuum.
- Always wear safety goggles or glasses with side shields.
- Wear a face or dust mask when working in dust situations. Dust particles can harm your lungs.
- Avoid accidental starting. Ensure the switch is in the off-position before inserting battery pack. Inserting battery packs in vacuums that have the switch on invites accidents.
- Do not overreach. Keep proper footing and balance at all times. This enables better control of the vacuum in unexpected situations.
- Never stand on vacuum or use as a step stool.
- Keep hair, loose clothing, fingers, and all parts of body away from openings and moving parts.
- If devices are provided for the connection of dust extraction and collection facilities, ensure these are connected and properly used. Use of these devices can reduce dust-related hazards.

USE AND CARE

- Use only as described in this manual. Use only manufacturer's recommended attachments.
- Do not use without dust bag and/or filters in place.
- Do not use to pick up flammable or combustible liquids such as gasoline or use in areas where they may be present.
- Do not pick up anything that is burning or smoking such as cigarettes, matches, or hot ashes.

- Do not pick up soot, cement, plaster or drywall dust without filter in place. These are very fine particles that may affect the performance of the motor or be exhausted back into the air.
- To reduce the risk of health hazards from vapors or dust, do not vacuum toxic, carcinogenic or other hazardous materials such as asbestos, arsenic, barium, beryllium, lead, pesticides or other health endangering materials.

•**WARNING:** Some dust created by power sanding, sawing, grinding, drilling, and other construction activities contains chemicals known to cause cancer, birth defects or other reproductive harm. Some examples of these chemicals are:

- lead from lead-based paint
- crystalline silica from bricks and cement and other masonry products, and
- arsenic and chromium from chemically-treated lumber.

Your risk from these exposures varies, depending on how often you do this type of work. To reduce your exposure to these chemicals: work in a well ventilated area, and work with approved safety equipment, such as those dust masks that are specially designed to filter out microscopic particles.

- Do not use your cleaner as a sprayer of flammable liquids such as oil base paints, lacquers, household cleaners, etc.
- Use special care when emptying heavily loaded tanks.

•To avoid spontaneous combustion, empty tank after each use.

•Do not leave vacuum unattended when battery pack is installed. Remove battery pack when not in use and before servicing.

•Do not put any object into openings. Do not use with any opening blocked; keep free of dust, lint, hair, and anything else that may reduce air flow.

•Maintain vacuum. Check for misalignment or binding of moving parts, breakage of parts and any other condition that may affect the vacuum's operation. If damaged, have the vacuum repaired before use. Many accidents are caused by poorly maintained tools.

•Maintain labels and nameplates. These carry important information. If unreadable or missing, contact a MILWAUKEE service facility for a free replacement.

BATTERY PACK USE AND CARE

- Turn off all controls before removing battery pack.
- Remove battery pack whenever motor head is removed from tank.
- Before using the battery pack or charger read the operator's manuals, and any labels on the battery pack, charger and vacuum.
- Recharge only with the charger specified by the manufacturer. A charger that is suitable for one type of battery pack may create a risk of fire when used with another battery pack.



- Use vacuum only with specifically designated battery packs. Use of any other battery packs may create a risk of injury and fire.
- When battery pack is not in use, keep it away from other metal objects like paper clips, coins, keys, nails, screws, or other small metal objects that can make a connection from one terminal to another. Shorting the battery terminals together may cause burns or a fire.
- Do not use damaged battery pack or vacuum. If battery pack or appliance are not working as they should, have been dropped, damaged, left outdoors, or dropped into water, return them to a service center.

SERVICE

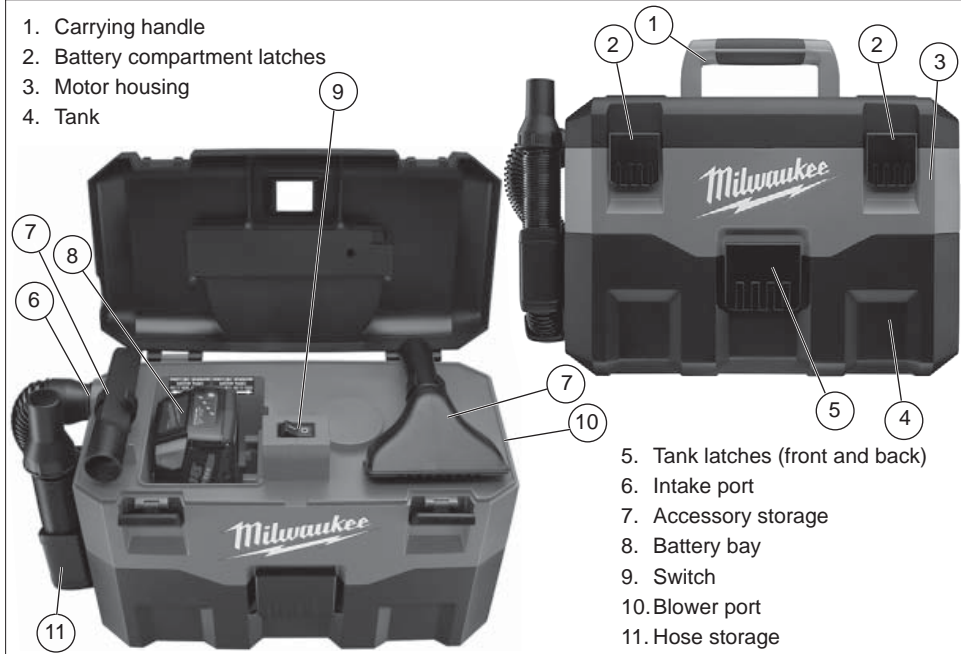
•Have your power tool serviced by a qualified repair person using only identical replacement parts. This will ensure that the safety of the power tool is maintained.

READ AND SAVE ALL INSTRUCTIONS FOR FUTURE USE

SYMBOLLOGY

	Underwriters Laboratories, Inc., United States and Canada		Direct Current
---	--	---	----------------

FUNCTIONAL DESCRIPTION



1. Carrying handle
2. Battery compartment latches
3. Motor housing
4. Tank

5. Tank latches (front and back)
6. Intake port
7. Accessory storage
8. Battery bay
9. Switch
10. Blower port
11. Hose storage

SPECIFICATIONS

Cat. No.	Volts	Capacity	For use with Battery Packs:	Battery packs for use with chargers:
0780-20	28 DC	2 Gal. (7.5 L)	48-11-2830 M28™	48-59-2818, 48-59-0280
0880-20	18 DC	2 Gal. (7.5 L)	48-11-1830 V18™	48-59-2818, 48-59-0280
			48-11-2230 18 V NiCd	48-59-2818, 48-59-0255, 48-59-0186, 48-59-0260, 48-59-0280
			48-11-1815, 48-11-1828, 48-11-1820, 48-11-1840 18 V Li-Ion	48-59-1801, 48-59-1812

ASSEMBLY

WARNING Always remove battery pack before changing or removing accessories. Only use accessories specifically recommended for this tool. Others may be hazardous.

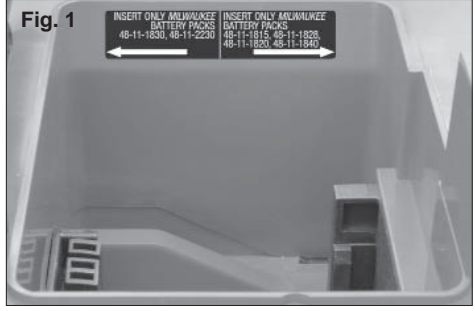
Installing/Removing Battery Pack

1. Lift and release battery compartment latches and open battery compartment.
2. To remove the battery pack, pull it off of the bay.
3. To insert the battery pack, slide it into the battery bay.
NOTE: The 18 V Vacuum has 2 bays available. Use the left side bay for 48-11-1830 V18™ and 48-11-2230 18 V NiCd battery packs. Use the right side bay for 48-11-1815, 48-11-1828, 48-11-1820, and 48-11-1840 18 V Li-ion battery packs.
4. Close battery compartment and secure both latches.

3. To remove the filter, turn it 1/2" counter clockwise and pull it off of the motor housing/float cage.
4. Empty all debris from the tank.
5. To clean the filter, shake off excess dirt or rinse the outside with water. Dry completely.
6. To install the filter, slide it over the float cage. Line up the filter tabs with the motor housing notches and turn it 1/2" clockwise to lock in place.
7. Replace the motor housing and secure both latches.

CAUTION Keep filters clean. Efficiency of the vacuum is largely dependent on the filters. Dirty filters will reduce the air flow and efficiency of the filtration system. Do NOT machine wash or dry.

WARNING To reduce the risk of injury, wear safety goggles or glasses with side shields and dust mask when using the vacuum as a blower. Clean tank completely before use.



WARNING To reduce the risk of injury, always remove the battery pack before releasing the tank latches.

Installing/Removing the Filter

- Use the cartridge filter for dry and wet pickup.
1. Remove the battery pack. Close and latch the battery compartment.
 2. Release the tank latches and lift off the motor housing. Place it upside down on a flat surface.

Pickup/Blower

- The vacuum can be used for debris pickup or as a blower, depending on the port used.
1. For debris pickup, insert the large end of hose into the intake port of the motor housing, lining up the tabs on the hose with the notches in the port. Twist to secure and form a tight fit.
 2. To use as a blower, insert the large end of hose into the blower port of the motor housing, lining up the tabs on the hose with the notches in the port. Twist to secure and form a tight fit.
 3. Attach one of the accessories to the other end of the hose. Twist to form a tight fit. Use 1-1/4" opening accessories.

OPERATION

⚠ WARNING To reduce the risk of fire and injury, do not use to pick up flammable or combustible materials.

⚠ WARNING To reduce the risk of injury, wear safety goggles or glasses with side shields. Remove the battery pack before changing accessories, making adjustments, and removing the motor housing.

Starting and Stopping Vacuum

To turn on the vacuum, push the switch to the ON (I) position.
To turn off the vacuum, push the switch to the OFF (O) position.

Wet Pick-Up Operation

1. Remove ALL dirt and debris found in the tank. Install the filter.
2. Turn on the vacuum and begin pick-up.
3. Turn off the vacuum immediately upon completing a wet pick-up job or when tank is full and ready to be emptied.
4. Remove the battery pack.
5. Raise the hose to drain any excess liquid into the tank.
6. Remove motor housing and pour liquid waste into a suitable drain.
7. Clean the interior of the tank, the filter, and pick-up accessories periodically, more often when used to pick up wet, sticky materials. Use warm, soapy water.

Automatic suction Shut-Off

When picking up liquids, an internal float rises until it seats itself against a seal at the intake of the motor, shutting off suction. When this happens, the motor will develop a higher than normal pitch noise and the suction is drastically reduced. If this occurs, turn off the vacuum immediately. Failure to turn off unit after float rises and shuts off suction will result in extensive damage to the motor. To continue use, empty the liquid waste from the tank.

NOTE: If the vacuum is accidentally tipped over, it could lose suction. Turn off the vacuum and return it to an upright position. The float will return to its normal position.

Storage

Before storing your vacuum, empty and clean the tank, filter, and accessories. Remove the battery pack.

MAINTENANCE

⚠ WARNING To reduce the risk of injury, always unplug the charger and remove the battery pack from the charger or tool before performing any maintenance. Never disassemble the tool, battery pack or charger. Contact a MILWAUKEE service facility for ALL repairs.

Maintaining Tool

Keep your tool, battery pack and charger in good repair by adopting a regular maintenance program. After six months to one year, depending on use, return the tool, battery pack and charger to a MILWAUKEE service facility for:

- Lubrication
- Mechanical inspection and cleaning (gears, spindles, bearings, housing, etc.)
- Electrical inspection (battery pack, charger, motor)
- Testing to assure proper mechanical and electrical operation

If the tool does not start or operate at full power with a fully charged battery pack, clean the contacts on the battery pack. If the tool still does not work properly, return the tool, charger and battery pack, to a MILWAUKEE service facility for repairs.

⚠ WARNING To reduce the risk of personal injury and damage, never immerse your tool, battery pack or charger in liquid or allow a liquid to flow inside them.

Cleaning

Clean dust and debris from charger and tool vents. Keep tool handles clean, dry and free of oil or grease. Use only mild soap and a damp cloth to clean the tool, battery pack and charger since certain cleaning agents and solvents are harmful to plastics and other insulated parts. Some of these include gasoline, turpentine, lacquer thinner, paint thinner, chlorinated cleaning solvents, ammonia and household detergents containing ammonia. Never use flammable or combustible solvents around tools.

Repairs

For repairs, return the tool, battery pack and charger to the nearest service center listed on the back cover of this operator's manual.

ACCESSORIES

⚠ WARNING Always remove battery pack before changing or removing accessories. Only use accessories specifically recommended for this tool. Others may be hazardous.

For a complete listing of accessories refer to your MILWAUKEE Electric Tool catalog or go online to www.milwaukeetool.com. To obtain a catalog, contact your local distributor or a service center listed on the back cover of this operator's manual.

LIMITED WARRANTY - USA AND CANADA

Every MILWAUKEE power tool (including cordless product – tool, battery pack(s) - see separate & distinct CORDLESS BATTERY PACK LIMITED WARRANTY statements & battery charger and Work Lights*) is warranted to the original purchaser only to be free from defects in material and workmanship. Subject to certain exceptions, MILWAUKEE will repair or replace any part on an electric power tool which, after examination, is determined by MILWAUKEE to be defective in material or workmanship for a period of five (5) years* after the date of purchase unless otherwise noted. Return of the power tool to a MILWAUKEE factory Service Center location or MILWAUKEE Authorized Service Station, freight prepaid and insured, is required. A copy of the proof of purchase should be included with the return product. This warranty does not apply to damage that MILWAUKEE determines to be from repairs made or attempted by anyone other than MILWAUKEE authorized personnel, misuse, alterations, abuse, normal wear and tear, lack of maintenance, or accidents.

*The warranty period for, Job Site Radios, M12™ Power Port, M18™ Power Source, and Trade Titan™ Industrial Work Carts is one (1) year from the date of purchase. The warranty period for a LED Work Light and LED Upgrade Bulb is a limited LIFETIME warranty to the original purchaser only, if during normal use the LED bulb fails the Work Light or Upgrade Bulb will be replaced free of charge.

*This warranty does not cover Air Nailers & Stapler, Airless Paint Sprayer, Cordless Battery Packs, Gasoline Driven Portable Power Generators, Hand Tools, Hoist – Electric, Lever & Hand Chain, M12™ Heated Jackets, Reconditioned product and Test & Measurement products. There are separate and distinct warranties available for these products.

Warranty Registration is not necessary to obtain the applicable warranty on a MILWAUKEE power tool product. The manufacturing date of the product will be used to determine the warranty period if no proof of purchase is provided at the time warranty service is requested.

ACCEPTANCE OF THE EXCLUSIVE REPAIR AND REPLACEMENT REMEDIES DESCRIBED HEREIN IS A CONDITION OF THE CONTRACT FOR THE PURCHASE OF EVERY MILWAUKEE PRODUCT. IF YOU DO NOT AGREE TO THIS CONDITION, YOU SHOULD NOT PURCHASE THE PRODUCT. IN NO EVENT SHALL MILWAUKEE BE LIABLE FOR ANY INCIDENTAL, SPECIAL, CONSEQUENTIAL OR PUNITIVE DAMAGES, OR FOR ANY COSTS, ATTORNEY FEES, EXPENSES, LOSSES OR DELAYS ALLEGED TO BE AS A CONSEQUENCE OF ANY DAMAGE TO, FAILURE OF, OR DEFECT IN ANY PRODUCT INCLUDING, BUT NOT LIMITED TO, ANY CLAIMS FOR LOSS OF PROFITS. SOME STATES DO NOT ALLOW THE EXCLUSION OR LIMITATION OF INCIDENTAL OR CONSEQUENTIAL DAMAGES, SO THE ABOVE LIMITATION OR EXCLUSION MAY NOT APPLY TO YOU. THIS WARRANTY IS EXCLUSIVE AND IN LIEU OF ALL OTHER EXPRESS WARRANTIES, WRITTEN OR ORAL. TO THE EXTENT PERMITTED BY LAW, MILWAUKEE DISCLAIMS ANY IMPLIED WARRANTIES, INCLUDING WITHOUT LIMITATION ANY IMPLIED WARRANTY OF MERCHANTABILITY OR FITNESS FOR A PARTICULAR USE OR PURPOSE, TO THE EXTENT SUCH DISCLAIMER IS NOT PERMITTED BY LAW, SUCH IMPLIED WARRANTIES ARE LIMITED TO THE DURATION OF THE APPLICABLE EXPRESS WARRANTY AS DESCRIBED ABOVE. SOME STATES DO NOT ALLOW LIMITATIONS ON HOW LONG AN IMPLIED WARRANTY LASTS, SO THE ABOVE LIMITATION MAY NOT APPLY TO YOU, THIS WARRANTY GIVES YOU SPECIFIC LEGAL RIGHTS, AND YOU MAY ALSO HAVE OTHER RIGHTS WHICH VARY FROM STATE TO STATE. This warranty applies to product sold in the U.S.A. and Canada only.

Please consult the 'Service Center Search' in the Parts & Service section of MILWAUKEE's website www.milwaukeetool.com or call **1.800.SAWDUST (1.800.729.3878)** to locate your nearest service facility for warranty and non-warranty service on a Milwaukee electric power tool.

LIMITED WARRANTY - MEXICO, CENTRAL AMERICA AND CARIBBEAN

TECHTRONIC INDUSTRIES' warranty is for 5 year since the original purchase date.

This warranty card covers any defect in material and workmanship on this Power Tool.

To make this warranty valid, present this warranty card, sealed/stamped by the distributor or store where you purchased the product, to the Authorized Service Center (ASC). Or, if this card has not been sealed/stamped, present the original proof of purchase to the ASC.

Call toll-free 1 800 832 1949 to find the nearest ASC, for service, parts, accessories or components.

Procedure to make this warranty valid

Take the product to the ASC, along with the warranty card sealed/stamped by the distributor or store where you purchased the product, and there any faulty piece or component will be replaced without cost for you. We will cover all freight costs relative with this warranty process.

Exceptions

This warranty is not valid in the following situations:

- a) When the product is used in a different manners from the end-user guide or instruction manual.
- b) When the conditions of use are not normal.
- c) When the product was modified or repaired by people not authorized by TECHTRONIC INDUSTRIES.

Note: If cord set is damaged, it should be replaced by an Authorized Service Center to avoid electric risks.

Model: _____

Date of Purchase: _____

Distributor or Store Stamp: _____

SERVICE AND ATTENTION CENTER
Av Presidente Mazarik 29 Piso 7, 11570 Chapultepec Morales
Miguel Hidalgo, Distrito Federal, Mexico
Ph. 52 55 4160-3547

IMPORTED AND COMMERCIALIZED BY:
TECHTRONIC INDUSTRIES MEXICO, S.A. DE C.V.
Av Presidente Mazarik 29 Piso 7, 11570 Chapultepec Morales
Miguel Hidalgo, Distrito Federal, Mexico

RÈGLES GÉNÉRALES DE SÉCURITÉ

AVERTISSEMENT AU MOMENT D'UTILISER UN APPAREIL ÉLECTRIQUE, IL IMPORTE DE TOUJOURS RESPECTER LES NORMES GÉNÉRALES DE SÉCURITÉ, INCLUANT LES SUIVANTES : LIRE TOUTES LES INSTRUCTIONS AVANT D'UTILISER L'ASPIRATEUR. POUR USAGE DOMESTIQUE SEULEMENT.

SÉCURITÉ DU LIEU DE TRAVAIL

- Veiller à ce que l'aire de travail soit propre et bien éclairée. Les endroits encombrés et mal éclairés favorisent les accidents.
- Les aspirateurs comprennent des moteurs ainsi que d'autres pièces qui peuvent produire des étincelles lors d'une utilisation normale. Ne pas utiliser l'appareil à moins de 9 m (30') des matières explosives (p. ex. les distributeurs d'essence et les endroits où des liquides comme les diluants, les détergents, les solvants, etc. sont entreposés).
- Ne pas utiliser l'appareil en présence de poussières, de vapeurs ou de liquides explosifs.
- Ne pas utiliser l'appareil dans des endroits où sont utilisés des anesthésiques ou de l'oxygène.
- S'assurer que l'appareil n'est pas utilisé comme jouet. Il importe d'être vigilant si l'appareil est utilisé à proximité des enfants ou par ceux-ci.
- Utiliser l'appareil avec beaucoup de précaution au moment de nettoyer les escaliers.

SÉCURITÉ ÉLECTRIQUE

- Porter des chaussures qui assurent une protection contre les décharges électriques comme des bottes en caoutchouc au moment d'aspirer des liquides.
- Ne pas manipuler la pile ou l'aspirateur avec les mains mouillées.

SÉCURITÉ INDIVIDUELLE

- **DEMEURER VIGILANT.** Se concentrer sur le travail à exécuter et faire preuve de bon sens. Ne pas utiliser l'aspirateur si vous êtes fatigués, distraits ou sous l'influence de drogues, d'alcool ou de médicaments qui diminuent la vigilance.
- L'utilisation d'un aspirateur peut entraîner la projection de débris dans les yeux, ce qui peut provoquer des lésions oculaires. Toujours porter une protection oculaire au moment d'utiliser l'aspirateur.
- **Toujours porter des lunettes de sécurité munies d'écrans latéraux de protection.**
- Porter un masque facial ou antipoussières pour utiliser l'appareil dans un endroit à forte concentration de poussières. Les particules de poussière peuvent être nocives pour les poumons.
- Éviter une mise en marche accidentelle. S'assurer que l'interrupteur est en position arrêté avant d'insérer la pile. Le fait d'insérer la pile dans l'aspirateur lorsque l'interrupteur est en position de marche favorise les accidents.
- Éviter les mouvements amples. Maintenir un bon appui et rester en équilibre en tout temps. Une bonne stabilité permet de mieux contrôler l'appareil en cas de situation imprévue.

- Ne jamais monter sur l'aspirateur ou s'en servir comme marchepied.
- Garder les cheveux, les vêtements amples, les doigts ainsi que toutes les parties du corps à l'écart des ouvertures et des pièces en mouvement.
- Si des dispositifs sont fournis afin de brancher l'appareil dans des installations prévues aux fins de dépollution et de collecte, s'assurer qu'ils sont branchés et utilisés correctement. Le fait d'utiliser ces dispositifs permet de réduire les risques liés à la poussière.

UTILISATION ET ENTRETIEN DE L'OUTIL ÉLECTRIQUE

- Utiliser uniquement tel que décrit dans le manuel d'utilisation. Utiliser seulement des accessoires recommandés par le fabricant.
- Ne pas utiliser l'aspirateur sans avoir préalablement installé un sac ou un filtre à poussière.
- Ne pas aspirer de liquides inflammables ou combustibles tels que l'essence, ou utiliser l'appareil dans des endroits où peuvent se retrouver ce type de substances.
- Ne pas aspirer d'éléments qui brûlent ou qui fument comme des cigarettes, des allumettes ou des cendres chaudes.
- Ne pas aspirer de suie, de ciment, de plâtre ou de poussière de cloison sèche sans avoir installé un filtre au préalable. Ces substances sont constituées des particules très fines qui peuvent altérer le rendement du moteur ou qui peuvent être expulsées dans l'air.
- Pour réduire les risques pour la santé attribuables à aux vapeurs ou à la poussière, ne pas aspirer de substances toxiques ou cancérogènes, ou d'autres substances dangereuses comme l'amiante, l'arsénique, le baryum, le béryllium, le plomb, les pesticides ou d'autres substances pouvant être nocives pour la santé.
- **AVERTISSEMENT :** Certaines poussières générées par les activités de ponçage, de coupe, de rectification, de perçage et d'autres activités de construction contiennent des substances considérées être la cause de malformations congénitales et de troubles de l'appareil reproducteur. Parmi ces substances figurent:
 - le plomb contenu dans les peintures à base de plomb;
 - la silice cristalline des briques, du ciment et d'autres matériaux de maçonnerie, ainsi que
 - l'arsenic et le chrome des sciages traités chimiquement.
 Les risques encourus par l'opérateur envers ces expositions varient en fonction de la fréquence de ce type de travail. Pour réduire l'exposition à ces substances chimiques, l'opérateur doit travailler dans une zone bien ventilée et porter l'équipement

de sécurité approprié, tel qu'un masque anti-poussière spécialement conçu pour filtrer les particules microscopiques.

- Ne pas utiliser l'aspirateur pour pulvériser des liquides inflammables comme de la peinture à base d'huile, des fixatifs, des produits de nettoyage domestique, etc.
- Prendre des précautions au moment de vider le réservoir si celui-ci est plein.
- Pour éviter une combustion spontanée, vider le réservoir après chaque utilisation.
- Ne pas laisser l'aspirateur sans surveillance si la pile a été installée. Retirer la pile lorsque l'appareil n'est pas utilisé, ainsi qu'au moment d'en effectuer l'entretien.
- Ne rien introduire dans les ouvertures. Ne pas utiliser l'appareil si une ou plusieurs ouvertures sont bloquées. S'assurer que les ouvertures ne sont pas obstruées par de la poussière, des peluches, des cheveux ou tout autre élément pouvant réduire la circulation d'air.
- Assurer l'entretien de l'aspirateur. Être attentif à tout désalignement ou coincement des pièces en mouvement, à tout bris ou à toute autre condition préjudiciable au bon fonctionnement de l'aspirateur. En cas de dommages, faire réparer l'aspirateur avant de l'utiliser. De nombreux accidents sont causés par des outils en mauvais état.
- Maintenir en l'état les étiquettes et les plaques d'identification. Des informations importantes y figurent. Si elles sont illisibles ou manquantes, contacter un centre de services et d'entretien MILWAUKEE pour un remplacement gratuit.

UTILISATION ET ENTRETIEN DE LA BATTERIE

- Mettre l'appareil hors tension avant de retirer la pile.
- Retirer la pile pour retirer la tête du moteur du réservoir.
- Avant d'utiliser la pile ou le chargeur, lire le manuel d'utilisation ainsi que toutes les étiquettes se trouvant sur la pile, le chargeur ou l'aspirateur.

- Pour recharger les piles, utiliser seulement le chargeur spécifié par le fabricant. Un chargeur qui est compatible avec un type de pile peut créer un risque d'incendie lorsqu'il est utilisé avec une autre pile.
- Utiliser l'aspirateur seulement avec la pile spécialement désignée. Le fait d'utiliser tout autre type de pile peut créer un risque de blessures ou d'incendie.
- Quand la pile n'est pas utilisée, la garder loin des autres objets en métal tels que les trombones, les pièces de monnaie, les clés, les clous, les vis ou d'autres petits objets métalliques qui pourraient connecter les bornes. Des bornes court-circuitées pourraient causer des brûlures ou un incendie.
- Ne pas utiliser la pile ou l'aspirateur s'ils sont endommagés. Si la pile ou l'appareil ne fonctionnent pas normalement, s'ils sont tombés ou endommagés, ou s'ils ont été laissés à l'extérieur ou échappés dans l'eau, les retourner à un centre de service.

ENTRETIEN



- Faire réparer son outil électrique par un réparateur qualifié qui utilise des pièces de rechange identiques aux pièces d'origine. Le maintien de la sûreté de l'outil électrique sera ainsi assuré.

LIRE TOUTES LES INSTRUCTIONS ET LES CONSERVER À DES FINS DE RÉFÉRENCE ULTÉRIEURE

SPÉCIFICATIONS

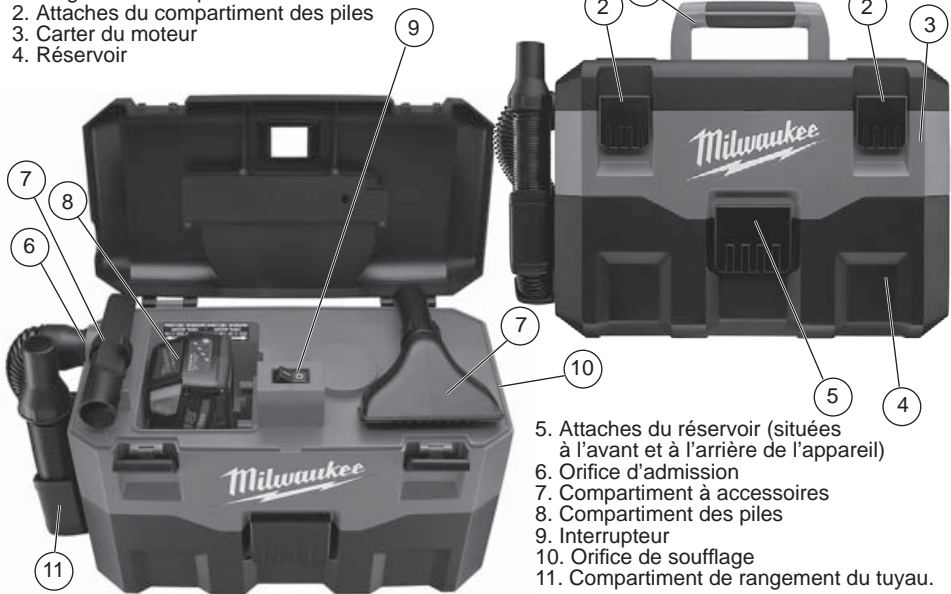
No de cat.	Volts	Capacité	Pour l'usage avec des Batteries:	Batteries pour l'usage avec des chargeurs:
0780-20	28 c.d.	7,5 L	48-11-2830 M28™	48-59-2818, 48-59-0280
0880-20	18 c.d.	7,5 L	48-11-1830 V18™	48-59-2818, 48-59-0280
			48-11-2230 18 V NiCd	48-59-2818, 48-59-0255, 48-59-0186, 48-59-0260, 48-59-0280
			48-11-1815, 48-11-1828, 48-11-1820, 48-11-1840 18 V Li-Ion	48-59-1801, 48-59-1812

PICTOGRAPHIE

	Underwriters Laboratories, Inc., États-Unis et Canada		Tension c.d. seul.
---	---	---	--------------------

DESCRIPTION FONCTIONNELLE

1. Poignée de transport
2. Attaches du compartiment des piles
3. Carter du moteur
4. Réservoir



5. Attaches du réservoir (situées à l'avant et à l'arrière de l'appareil)
6. Orifice d'admission
7. Compartiment à accessoires
8. Compartiment des piles
9. Interrupteur
10. Orifice de soufflage
11. Compartiment de rangement du tuyau.

MONTAGE DE L'OUTIL

⚠️ AVERTISSEMENT

Retirez toujours la batterie avant de changer ou d'enlever les accessoires. Utilisez les accessoires spécifiquement recommandés pour cet outil, l'utilisation d'autres accessoires pourrait comporter des risques.

Installation et retrait de la pile

1. Lever et relâcher les attaches du compartiment des piles et ouvrir le compartiment.
2. Pour **retirer** la pile, la tirer hors du compartiment des piles.
3. Pour **insérer** la pile, la glisser dans le compartiment des piles.

NOTE : L'aspirateur de 18 V comprend deux compartiments pouvant accueillir des piles. Utiliser le compartiment de gauche pour les piles 48-11-1830 V18™ et les piles 48-11-2230 NiCd 18 V. Utiliser le compartiment de droite pour les piles compactes au 48-11-1815, 48-11-1828, 48-11-1820, et 48-11-1840 lithium-ion 18 V.

4. Fermer le compartiment des piles et s'assurer que les attaches sont bien enclenchées.



⚠️ AVERTISSEMENT

Pour réduire le risque de blessures, toujours retirer la pile avant de relâcher les attaches du réservoir.

Installation et retrait du filtre

Utiliser un filtre à cartouche pour aspirer les substances sèches ou les liquides.

1. Retirer la pile. Bien fermer et enclencher les attaches du compartiment des piles.
2. Relâcher les attaches du réservoir et enlever le carter du moteur. Le placer à l'envers sur une surface plane.
3. Pour **retirer** le filtre, le faire tourner 13 mm (1/2 po.) dans le sens antihoraire et le retirer du carter du moteur.
4. Enlever tous les débris se trouvant dans le réservoir.
5. Pour nettoyer le filtre, le secouer afin d'enlever toutes les saletés et rincer l'extérieur du filtre avec de l'eau. Bien le faire sécher.
6. Pour **installer** le filtre, le faire glisser au-dessus de la cage à niveau constant. Aligner les bandes du filtre avec les encoches du carter du moteur et le faire tourner 13 mm (1/2 po.) dans le sens horaire pour le verrouiller en place.
7. Remettre le carter du moteur en place et s'assurer que les deux attaches sont bien enclenchées.

ATTENTION S'assurer que les filtres sont propres. L'efficacité de l'aspirateur dépend en grande partie des filtres. Si ces derniers sont sales, cela réduira la circulation d'air et par conséquent, l'efficacité du système de filtration. Ne pas laver les filtres ou les faire sécher à la machine.

⚠️ AVERTISSEMENT

Pour réduire le risque de blessures, porter des lunettes de sécurité munies d'écrans latéraux de protection et un masque antipoussières pour utiliser l'aspirateur pour souffler des débris. Bien nettoyer le réservoir avant d'utiliser l'appareil.

Aspiration et soufflage

L'aspirateur peut être utilisé pour aspirer ou souffler des débris, selon l'orifice utilisé.

1. Pour **aspirer** des débris, insérer la grande extrémité du tuyau dans l'orifice d'admission du carter du moteur, en alignant les bandes du tuyau avec les encoches de l'orifice. Tourner le tuyau jusqu'à ce qu'il soit fixé solidement et s'assurer que tout est serré.
2. Pour **souffler** des débris, insérer la grande extrémité du tuyau dans l'orifice de soufflage, tout en alignant les bandes du tuyau avec les encoches de l'orifice. Tourner le tuyau jusqu'à ce qu'il soit fixé solidement et s'assurer que tout est serré.
3. Fixer un des accessoires à l'autre extrémité du tuyau. Tourner l'accessoire jusqu'à ce qu'il soit fixé solidement et s'assurer que tout est serré. Utiliser des accessoires dont l'ouverture est de 32 mm (1-1/4 po.).

MANIEMENT

⚠️ AVERTISSEMENT

Pour réduire les risques d'incendie et de blessures, ne pas utiliser l'appareil pour aspirer des matériaux inflammables ou combustibles.

⚠️ AVERTISSEMENT

Pour réduire le risque de blessures, porter des lunettes de sécurité munies d'écrans latéraux de protection. Retirer la pile avant de changer l'accessoire, d'effectuer des réglages et de retirer le carter du moteur.

Mise en marche et à l'arrêt de l'aspirateur

Pour mettre l'aspirateur en marche, régler l'interrupteur à la position ON (I). Pour mettre l'aspirateur à l'arrêt, régler l'interrupteur à la position OFF (O).

Aspiration de liquides

1. Retirer TOUTE la saleté et TOUS les débris se trouvant dans le réservoir. Installer le filtre.
2. Mettre l'aspirateur en marche et débiter l'opération.
3. Mettre l'aspirateur à l'arrêt immédiatement après avoir terminé l'aspiration de substances liquides ou lorsque le réservoir est plein et qu'il est nécessaire de le vider.
4. Retirer la pile.
5. Soulever le tuyau afin de vider tout le liquide restant dans le réservoir.
6. Retirer le carter du moteur et verser les déchets liquides dans un drain bien adapté pour l'opération.
7. Nettoyer l'intérieur du réservoir, le filtre et les accessoires périodiquement ou à une plus grande fréquence si l'appareil a été utilisé pour aspirer des substances liquides et collantes. Utiliser de l'eau chaude et savonneuse.

Arrêt automatique de succion

Au moment d'aspirer des liquides, un flotteur interne s'élève jusqu'à ce qu'il vienne s'appuyer contre un joint situé à l'orifice d'admission du moteur, ce qui interrompt la succion. Lorsque cela se produit, le bruit associé au pas du moteur est plus fort qu'à la normale et la succion est réduite considérablement. Mettre alors immédiatement l'aspirateur à l'arrêt. Ne pas respecter cette directive peut endommager sérieusement le moteur. Pour poursuivre l'opération, vider les déchets liquides se trouvant dans le réservoir.

NOTE : Si l'aspirateur est accidentellement renversé, cela peut réduire la succion. Mettre alors l'aspirateur à l'arrêt et le remettre en position verticale. Le flotteur reviendra à sa position normale.

Entreposage

Avant d'entreposer l'aspirateur, vider et nettoyer le réservoir, le filtre et les accessoires. Retirer la pile.

ENTRETIEN

⚠️ AVERTISSEMENT

Pour minimiser les risques de blessures corporelles, débranchez le chargeur et retirez la batterie du chargeur ou de l'outil avant d'y effectuer des travaux d'entretien. Ne démontez jamais l'outil, la batterie ou le chargeur. Pour toute réparation, consultez un centre de service MILWAUKEE accrédité.

Entretien de l'outil

Gardez l'outil, la batterie et le chargeur en bon état en adoptant un programme d'entretien ponctuel. Après une période de six mois à un an, selon l'utilisation, renvoyez l'outil, la batterie et le chargeur à un centre de service MILWAUKEE accrédité pour les services suivants:

- Lubrification
- Inspection et nettoyage de la mécanique (engrenages, pivots, coussinets, boîtier etc.)
- Inspection électrique (batterie, chargeur, moteur)
- Vérification du fonctionnement électromécanique

Si l'outil ne démarre pas ou ne fonctionne pas à pleine puissance alors qu'il est branché sur une batterie complètement chargée, nettoyez les points de contact entre la batterie et l'outil. Si l'outil ne fonctionne toujours pas correctement, renvoyez l'outil, le chargeur et la batterie à un centre de service MILWAUKEE accrédité, afin qu'on effectue la réparation (voir "Réparations").

⚠️ AVERTISSEMENT

Pour minimiser les risques de blessures ou de dommages à l'outil, n'immergez jamais l'outil, la batterie ou le chargeur et ne laissez pas de liquide s'y infiltrer.

Nettoyage

Débarrassez les événements du chargeur et de l'outil des débris et de la poussière. Gardez les poignées de l'outil propres, à sec et exemptes d'huile ou de graisse. Le nettoyage de l'outil, du chargeur et de la batterie doit se faire avec un linge humide et un savon doux. Certains nettoyants tels l'essence, la térébenthine, les diluants à laque ou à peinture, les solvants chlorés, l'ammoniac et les détergents d'usage domestique qui en contiennent pourraient détériorer le plastique et l'isolation des pièces. Ne laissez jamais de solvants inflammables ou combustibles auprès de l'outil.

Réparations

Pour les réparations, retournez outil, batterie et chargeur en entier au centre-service le plus près, selon la liste apparaissant à la dernière page de ce manuel.

ACCESSOIRES

⚠️ AVERTISSEMENT

Retirez toujours la batterie avant de changer ou d'enlever les accessoires. L'utilisation d'autres accessoires que ceux qui sont spécifiquement recommandés pour cet outil peut comporter des risques.

Pour une liste complète des accessoires, prière de se reporter au catalogue MILWAUKEE Electric Tool ou visiter le site internet www.milwaukeeool.com. Pour obtenir un catalogue, il suffit de contacter votre distributeur local ou l'un des centres-service.

GARANTIE LIMITÉE - AUX ÉTATS-UNIS ET AU CANADA

Chaque outil électrique MILWAUKEE (y compris les produits sans fil [outils, piles, chargeur de piles, lampe de travail]; consulter les énoncés de la GARANTIE LIMITÉE DES BLOCS-PILES SANS FIL) est garanti à l'acheteur d'origine être exempt de vice de matériau et de fabrication. Sous réserve de certaines exceptions, MILWAUKEE réparera ou remplacera toute pièce d'un outil électrique qui, après examen par MILWAUKEE, s'est avérée être affectée d'un vice de matériau ou de fabrication pendant une période de cinq (5) ans* après la date d'achat, sauf indication contraire. Retourner l'outil électrique, à un centre de réparations en usine MILWAUKEE ou à un poste d'entretien agréé MILWAUKEE, en port prépayé et assuré. Une copie de la preuve d'achat doit être présentée au moment de retourner le produit. Cette garantie ne couvre pas les dommages que MILWAUKEE détermine être causés par des réparations ou des tentatives de réparation par quiconque autre que le personnel agréé par MILWAUKEE, des utilisations incorrectes, des altérations, des utilisations abusives, une usure normale, une carence d'entretien ou des accidents.

*La période de garantie applicable pour les radios de chantier, le port d'alimentation M12™, Source d'énergie M18™, et les chariots de travail industriels Trade Titan™ est d'une durée d'un (1) an à partir de la date d'achat. La période de la garantie couvrant la lampe de travail à DEL et l'ampoule améliorée à DEL est une garantie À VIE limitée à l'acheteur d'origine seulement; si, lors d'une utilisation normale, l'ampoule à DEL présente une défectuosité, la lampe de travail et l'ampoule seront remplacées sans frais.

*Cette garantie ne s'applique pas aux cloueuses-agrafeuses pneumatiques, aux pulvérisateurs à peinture sans air, aux blocs piles pour outils sans fil, aux génératrices d'alimentation portatives à essence, aux outils à main, aux monte-charge – électrique, à levier et à chaîne (manuel), aux vestes chauffantes M12™, aux produits réusinés, ni aux produits d'essai et de mesure. Il existe des garanties distinctes pour ces produits.

L'enregistrement de la garantie n'est pas nécessaire pour bénéficier de la garantie en vigueur sur un outil électrique MILWAUKEE. La date de fabrication du produit servira à établir la période de garantie si aucune preuve d'achat n'est fournie lorsqu'une demande de service sous garantie est présentée.

L'ACCEPTATION DES RECOURS EXCLUSIFS DE RÉPARATION ET DE REMPLACEMENT DÉCRITS AUX PRÉSENTES EST UNE CONDITION DU CONTRAT D'ACHAT DE TOUT PRODUIT MILWAUKEE. SI VOUS N'ACCEPTÉZ PAS CETTE CONDITION, VOUS NE DEVEZ PAS ACHETER LE PRODUIT. EN AUCUN CAS MILWAUKEE NE SAURAIT ÊTRE RESPONSABLE DE TOUT DOMMAGE ACCESSOIRE, SPÉCIAL OU INDIRECT, DE DOMMAGES-INTÉRÊTS PUNITIFS OU DE TOUTE DÉPENSE, D'HONORAIRES D'AVOCATS, DE FRAIS, DE PERTE OU DE DÉLAIS ACCESSOIRES À TOUT DOMMAGE, DÉFAILLANCE OU DÉFAUT DE TOUT PRODUIT, Y COMPRIS NOTAMMENT LES PERTES DE PROFIT. CERTAINS ÉTATS ET PROVINCES NE PERMETTANT PAS L'EXCLUSION OU LA LIMITATION DES DOMMAGES DIRECTS OU INDIRECTS, LES RESTRICTIONS CI-DESSUS PEUVENT NE PAS ÊTRE APPLICABLES. CETTE GARANTIE EST EXCLUSIVE ET REMPLACE TOUTE AUTRE GARANTIE EXPRESSE, QU'ELLE SOIT ORALE OU ÉCRITE. DANS LA MESURE PERMISE PAR LA LOI, MILWAUKEE RENONCE À TOUTE GARANTIE IMPLICITE, Y COMPRIS, SANS S'Y LIMITER, TOUTE GARANTIE IMPLICITE DE QUALITÉ MARCHANDE OU D'ADAPTATION À UNE UTILISATION OU À UNE FIN PARTICULIÈRE. DANS LA MESURE OÙ UNE TELLE STIPULATION D'EXONÉRATION N'EST PAS PERMISE PAR LA LOI, LA DURÉE DE CES GARANTIES IMPLICITES EST LIMITÉE À LA PÉRIODE APPLICABLE DE LA GARANTIE EXPRESSE, TEL QUE DÉCRIT PRÉCÉDEMMENT. CERTAINS ÉTATS ET PROVINCES NE PERMETTANT PAS DE LIMITATION DE DURÉE DES GARANTIES IMPLICITES, LES RESTRICTIONS CI-DESSUS PEUVENT NE PAS ÊTRE APPLICABLES. LA PRÉSENTE CONFÈRE À L'UTILISATEUR DES DROITS LÉGAUX PARTICULIERS; IL BÉNÉFICIE ÉGALEMENT D'AUTRES DROITS QUI VARIENT D'UN ÉTAT À L'AUTRE.

Cette garantie s'applique aux produits vendus aux États-Unis et au Canada uniquement.

Veillez consulter la rubrique Centre SAV MILWAUKEE, dans la section Pièces & Service du site Web de MILWAUKEE, à l'adresse www.milwaukeeool.com, ou composer le 1-800-SAWDUST (1-800-729-3878) afin de trouver le centre de réparations en usine MILWAUKEE le plus près.

GARANTIE LIMITÉE – MEXIQUE, AMÉRIQUE CENTRALE ET CARAÏBES

TECHTRONIC INDUSTRIES' garantit le produit pendant cinq ans à partir de la date d'achat d'origine. Le présent bon de garantie couvre tous les vices de matériau et de fabrication que peut afficher cet outil électrique. Pour assurer la validité de la présente garantie, veuillez présenter le bon de commande, estampillé du sceau du distributeur ou du magasin où le produit a été acheté, au centre de réparations agréé. Si le bon de commande n'a pas été estampillé, veuillez fournir la preuve d'achat d'origine au centre de réparations agréé. Pour un entretien, des pièces, des accessoires ou d'autres composants, composer sans frais le 1-800-832-1949 afin d'obtenir les coordonnées du centre de réparations agréé le plus près.

Procédure pour assurer la validité de la garantie

Présenter le produit au centre de réparations agréé, accompagné du bon de commande estampillé du sceau du distributeur ou du magasin où le produit a été acheté. Toute pièce défectueuse ou tout composant défectueux sera remplacé sans frais. Milwaukee assume tous les frais de transport liés à ce processus de garantie.

Exceptions

La garantie ne s'applique pas dans les situations suivantes :

- a) Si le produit a été utilisé pour une fin autre que celle indiquée dans le guide de l'utilisateur final ou le manuel d'instructions.
- b) Si les conditions d'utilisations ne sont pas habituelles.
- c) Si le produit a été modifié ou réparé par une personne non autorisée par TECHTRONIC INDUSTRIES.

Note : Si le cordon électrique est endommagé, il doit être remplacé par un centre de réparations agréé pour éviter les risques d'électrocution.

Modèle : _____

Date d'achat : _____

Sceau du distributeur ou du magasin : _____

CENTRE DE RÉPARATIONS ET DE SERVICE
Av Presidente Mazarik 29 Piso 7, 11570 Chapultepec Morales
Miguel Hidalgo, Distrito Federal, Mexico
Ph. 52 55 4160-3547

IMPORTÉ ET COMMERCIALISÉ PAR :
TECHTRONIC INDUSTRIES MEXICO, S.A. DE C.V.
Av Presidente Mazarik 29 Piso 7, 11570 Chapultepec Morales
Miguel Hidalgo, Distrito Federal, Mexico

REGLAS DE SEGURIDAD GENERALES

⚠️ ADVERTENCIA INSTRUCCIONES DE SEGURIDAD IMPORTANTES AL UTILIZAR UN APARATO ELÉCTRICO, DEBEN SEGUIRSE SIEMPRE CIERTAS PRECAUCIONES BÁSICAS, COMO LAS SIGUIENTES: LEA TODAS LAS INSTRUCCIONES ANTES DE USAR LA ASPIRADORA. PARA USO DOMÉSTICO ÚNICAMENTE.

SEGURIDAD EN EL ÁREA DE TRABAJO

- Mantenga limpia y bien iluminada el área de trabajo. Las áreas desordenadas u oscuras contribuyen a que se produzcan accidentes.
- Las aspiradoras tienen motores y otras piezas que pueden producir chispas durante el uso normal. No use la aspiradora a menos de 9 m (30 pies) de las áreas donde puede haber presentes materiales explosivos (como bombas de gasolina y lugares donde se guardan líquidos, como decapantes para pintura, limpiadores, solventes, etc.).
- No usar en presencia de polvo, líquidos ni vapores explosivos.
- No usar en ambientes donde se estén usando oxígeno o anestésicos.
- No permita el uso de este producto como un juguete. Al ser usado este producto por niños, o cerca de los mismos, debe tenerse extrema precaución.
- Tenga cuidado extremo al limpiar en escaleras.

SEGURIDAD ELÉCTRICA

- Use calzado con aislamiento eléctrico, como botas de caucho, cuando use la aspiradora con materiales húmedos.
- No manipule la batería ni la aspiradora con las manos mojadas.

SEGURIDAD PERSONAL

- **PERMANEZCA ALERTA.** Preste atención a lo que esté haciendo y use el sentido común. No use la aspiradora cuando esté cansado, distraído o bajo la influencia de drogas, alcohol o medicamentos que disminuyan su capacidad de control.
- Una aspiradora de uso general/de servicio en funcionamiento puede lanzar objetos hacia los ojos, lo cual puede causar daños a los mismos. Lleve siempre lentes de seguridad cuando utilice la aspiradora.
- Lleve siempre lentes de seguridad con protectores laterales.
- Use una careta o máscara antipolvo cuando trabaje en situaciones de mucho polvo. Las partículas de polvo pueden dañarle los pulmones.
- Evite los arranques accidentales. Asegúrese de que el interruptor esté en la posición de apagado antes de introducir la batería. Introducir las baterías en aspiradoras que tienen el interruptor en la posición de encendido contribuye a que se produzcan accidentes.
- No estire el cuerpo para alcanzar mayor distancia. Mantenga los pies bien asentados y el equilibrio en todo momento. Esto permite tener un mejor control de la aspiradora en situaciones inesperadas.
- Nunca se pare en la aspiradora ni la use como escalón.

- Mantenga el cabello, la ropa holgada, los dedos y todas las partes del cuerpo alejados de las aberturas y piezas móviles de la unidad.
- Si se proporcionan dispositivos para la conexión de sistemas de recolección y extracción de polvo, asegúrese de que estén conectados y se usen apropiadamente. El uso de estos dispositivos puede reducir los peligros relacionados con el polvo.

USO Y CUIDADO

- Sólo utilice el producto de la forma descrita en este manual. Use solamente accesorios recomendados por el fabricante.
- No utilice el producto sin el saco captapolvo y/o los filtros en su lugar.
- No utilice la unidad para recoger líquidos inflamables o combustibles, como la gasolina, ni la utilice en lugares donde puedan estar presentes dichos líquidos.
- No recoja productos que se estén quemando ni humeantes, como cigarrillos, fósforos o cenizas calientes.
- No recoja hollín, cemento, yeso ni polvo de los paneles de yeso a menos que el filtro esté en su lugar. Estas son partículas muy finas que pueden afectar el rendimiento del motor o volver a ser expulsadas al aire.
- Para reducir el riesgo de peligros para la salud derivados de vapores o polvo, no utilice la aspiradora con materiales tóxicos, cancerígenos u otros materiales peligrosos, como asbesto, arsénico, bario, berilio, plomo, pesticidas u otros materiales que pongan en riesgo la salud.
- **ADVERTENCIA:** Algunas partículas de polvo resultantes del lijado mecánico, aserrado, esmerilado, taladrado y otras actividades relacionadas a la construcción, contienen sustancias químicas que se saben ocasionan cáncer, defectos congénitos u otros daños al aparato reproductivo. A continuación se citan algunos ejemplos de tales sustancias químicas:
 - plomo proveniente de pinturas con base de plomo
 - sílice cristalino proveniente de ladrillos, cemento y otros productos de albañilería y
 - arsénico y cromo provenientes de madera químicamente tratada.El riesgo que usted sufre debido a la exposición varía dependiendo de la frecuencia con la que usted realiza estas tareas. Para reducir la exposición a estas sustancias químicas: trabaje en un área bien ventilada, y utilice equipo de seguridad aprobado como, por ejemplo, máscaras contra el polvo que hayan sido específicamente diseñadas para filtrar partículas microscópicas.
- No use la aspiradora como rociador de líquidos inflamables, como pinturas a base de aceite, lacas, limpiadores domésticos, etc.
- Preste especial atención cuando vacíe tanques muy cargados.

- Para evitar la combustión espontánea, vacíe el tanque después de cada uso.
- No deje la aspiradora desatendida cuando instale las baterías. Retire la batería cuando no esté usando la unidad y antes de proporcionarle servicio.
- No coloque ningún objeto en las aberturas. No utilice la unidad si tiene alguna abertura bloqueada; manténgalas libres de polvo, pelusa, cabello y cualquier otra cosa que pueda reducir el flujo de aire.
- Dé mantenimiento a la aspiradora. Revise para ver si hay desalineación o atoramiento de piezas móviles, ruptura de piezas o toda otra condición que pueda afectar el funcionamiento de la aspiradora. Si está dañada, haga reparar la aspiradora antes de usarla. Muchos accidentes son causa de herramientas mal mantenidas.
- Mantenga las etiquetas y las placas identificativas. Tienen información importante. Si no se pueden leer o si faltan, póngase en contacto con un centro de servicio MILWAUKEE para obtener un repuesto gratuito.

USO Y CUIDADO DE LAS HERRAMIENTAS CON BATERÍA

- Apague todos los controles antes de retirar la batería.
- Retire la batería cada vez que quite del tanque el cabezal del motor.
- Antes de usar la batería o el cargador, lea los manuales del operador, y cualquier etiqueta que se encuentre en la batería, el cargador y la aspiradora.
- Recárguela solamente con el cargador especificado por el fabricante. Un cargador que sea

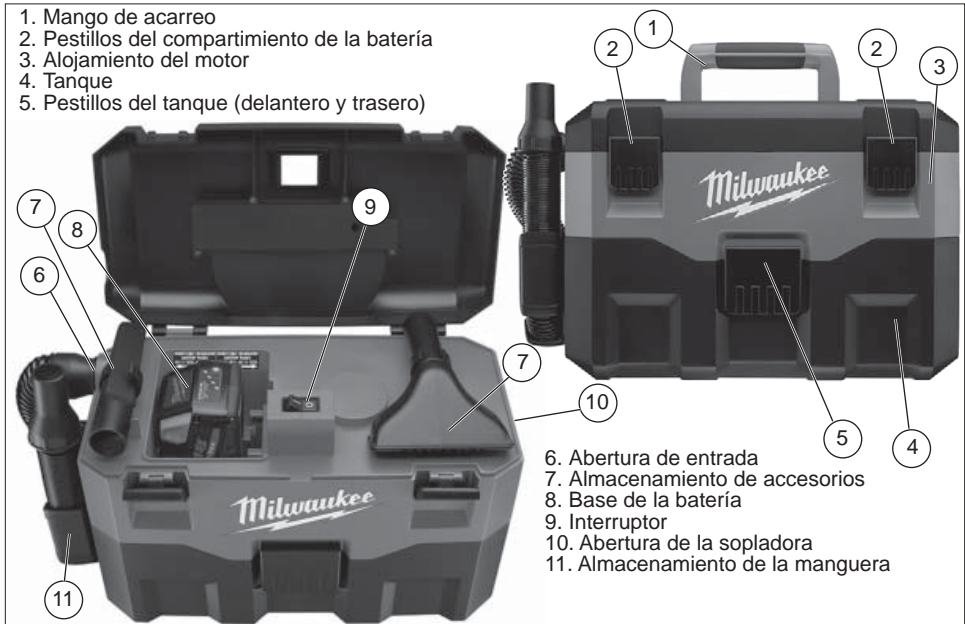
- apropiado para un tipo de batería puede crear riesgo de incendio cuando se use con otra batería.
- Utilice la aspiradora sólo con las baterías específicamente indicadas. El uso de cualquier otro tipo de batería puede crear riesgo de lesiones o incendio.
- Cuando no se use la batería manténgala alejada de otros objetos de metal como clips para papel, monedas, llaves, clavos, tornillos u otros objetos de metal pequeños que puedan realizar una conexión entre los bornes. Realizar un cortacircuito en los terminales de la batería puede provocar quemaduras o un incendio.
- No use baterías ni aspiradoras que estén dañadas. Si la batería o el aparato no funcionan como deberían, han sufrido una caída, han sido dañados, se han dejado a la intemperie o se han dejado caer dentro del agua, regréselos al centro de servicio.

MANTENIMIENTO

- Permita que un técnico de reparación calificado preste servicio a la herramienta eléctrica, y sólo con piezas de repuesto idénticas. Esto asegurará que se mantiene la seguridad de la herramienta eléctrica.

LEA Y CONSERVE TODAS LAS INSTRUCCIONES PARA CONSULTARLAS EN EL FUTURO.

DESCRIPCION FUNCIONAL



SIMBOLOGÍA

	Underwriters Laboratories, Inc., Estados Unidos y Canadá		Volts corriente directa
---	---	---	-------------------------

ESPECIFICACIONES

Cat. No.	Volts	Capacidades	Para el uso con las baterías:	Baterías para el uso con los cargadores:
0780-20	28 cd	7,5 L	48-11-2830 M28™	48-59-2818, 48-59-0280
0880-20	18 cd	7,5 L	48-11-1830 V18™	48-59-2818, 48-59-0280
			48-11-2230 18 V NiCd	48-59-2818, 48-59-0255, 48-59-0186, 48-59-0260, 48-59-0280
			48-11-1815, 48-11-1828, 48-11-1820, 48-11-1840 18 V Li-Ion	48-59-1801, 48-59-1812

ENSAMBLAJE DE LA HERRAMIENTA

⚠ ADVERTENCIA

Para reducir el riesgo de lesiones, extraiga siempre la batería antes de acoplar o desacoplar accesorios. Utilice únicamente accesorios específicamente recomendados para esta herramienta. El uso de accesorios no recomendados podría resultar peligroso.

Instalación/extracción de la batería

- Levante y suelte los pestillos del compartimiento de la batería y abra el compartimiento de la batería.
- Para **retirar** la batería, tire de la misma y extráigala de la base.
- Para **introducir** la batería, deslícela en la base de la batería.

NOTA: La aspiradora de 18 V tiene 2 bases disponibles. Use la base del lado izquierdo para las baterías 48-11-1830 V18™ y las baterías de 48-11-2230 deníquel-cadmio de 18 V. Use la base del lado derecho para las baterías compactas de 48-11-1815, 48-11-1828, 48-11-1820, y 48-11-1840 de iones de litio de 18 V.

- Cierre el compartimiento de la batería y asegure ambos pestillos.

⚠ ADVERTENCIA

Para reducir el riesgo de lesiones, siempre retire la batería antes de soltar los pestillos del tanque.

Instalación/extracción del filtro

Use el filtro de cartucho para la recolección en seco o húmeda.

- Retire la batería. Cierre y asegure el compartimiento de la batería.
- Suelte los pestillos del tanque y levante el alojamiento del motor. Colóquelo boca abajo sobre una superficie nivelada.
- Para retirar el filtro, gírelo hacia la izquierda 13 mm (1/2 pulg.), tire del mismo y extráigalo del alojamiento del motor/de la jaula del flotador.
- Vacíe toda la suciedad del tanque.
- Para limpiar el filtro, sacuda el exceso de suciedad o enjuague el exterior con agua. Déjelo secar completamente.
- Para instalar el filtro, deslícelo sobre la jaula del flotador. Alinee las orejetas del filtro con las muescas del alojamiento del motor y gire hacia la derecha 13 mm (1/2 pulg.) para asegurarlo en su lugar.
- Vuelva a colocar el alojamiento del motor y asegure ambos pestillos.



PRECAUCIÓN

Mantenga limpios los filtros. La eficiencia de la aspiradora depende, en gran medida, de los filtros. Los filtros sucios reducen el flujo de aire y la eficiencia del sistema de filtración. NO los lave ni seque en lavadora.

⚠ ADVERTENCIA

Para reducir el riesgo de lesiones, lleve lentes de seguridad con protectores laterales y máscara antipolvo cuando use la aspiradora como sopladora. Limpie completamente el tanque antes de usar la unidad.

Recolección/sopladora

La aspiradora se puede usar para recoger la suciedad o como sopladora, dependiendo de la abertura usada.

- Para la recolección de suciedad, introduzca el extremo grande de la manguera en la abertura de entrada del alojamiento del motor, alineando las orejetas de la manguera con las muescas de la abertura. Gírelo para asegurarlo y crear un ajuste apretado.
- Para usar como sopladora, introduzca el extremo grande de la manguera en la abertura de la sopladora del alojamiento del motor, alineando las orejetas de la manguera con las muescas de la abertura. Gírelo para asegurarlo y crear un ajuste apretado.
- Acople uno de los accesorios al otro extremo de la manguera. Gírelo para crear un ajuste apretado. Use accesorios con abertura de 32 mm (1-1/4 pulg.).

OPERACION

⚠ ADVERTENCIA

Para reducir el riesgo de incendio y lesiones, no use la aspiradora para recoger materiales inflamables o combustibles.

⚠ ADVERTENCIA

Para reducir el riesgo de lesiones, lleve lentes de seguridad con protectores laterales. Retire la batería antes de cambiar los accesorios, realizar ajustes y retirar el alojamiento del motor.

Arranque y parada de la aspiradora

Para encender la aspiradora, empuje el interruptor a la posición de ENCENDIDO (I).

Para apagar la aspiradora, empuje el interruptor a la posición de APAGADO (O).

Funcionamiento para la recolección de materiales húmedos

- Retire TODA la suciedad que se encuentre en el tanque. Instale el filtro.
- Encienda la aspiradora y comience con la recolección.
- Apague de inmediato la aspiradora al finalizar un trabajo de recolección de materiales húmedos o cuando el tanque esté lleno y listo para ser vaciado.
- Retire la batería.
- Levante la manguera para drenar todo exceso de líquidos en el tanque.
- Retire el alojamiento del motor y vierta los desechos líquidos en un drenaje adecuado.
- Limpie el interior del tanque, el filtro y los accesorios de recolección en forma periódica, y con mayor frecuencia cuando utilice la aspiradora para recoger materiales húmedos y pegajosos. Use agua jabonosa tibia.

Apagado automático de la función de succión

Cuando se recogen líquidos, el flotante interno se eleva hasta que se asienta contra un sello en la entrada del motor, apagando la función de succión. Cuando esto sucede, el motor comienza a hacer un ruido más alto de lo normal y reduce drásticamente la succión. Si esto sucede, apague inmediatamente la aspiradora. No apagar la unidad después de que el flotante sube y apaga la función de succión produce daños considerables al motor. Para seguir usando la aspiradora, vacíe los desechos líquidos del tanque.

NOTA: Si la aspiradora se vuelca accidentalmente, es posible que pierda fuerza de succión. Apague la aspiradora y vuelva a colocarla en posición vertical. El flotante regresará a su posición normal.

Almacenamiento

Antes de guardar la aspiradora, vacíe y limpie el tanque, el filtro y los accesorios. Retire la batería.

MANTENIMIENTO

⚠️ ADVERTENCIA

Para reducir el riesgo de una lesión, desconecte siempre la herramienta antes de darle cualquier mantenimiento. Nunca desarme la herramienta ni trate de hacer modificaciones en el sistema eléctrico de la misma. Acuda siempre a un Centro de Servicio MILWAUKEE para TODAS las reparaciones.

Mantenimiento de la herramienta

Adopte un programa regular de mantenimiento y mantenga sus baterías y cargador en buenas condiciones. Después de 6 meses a un año, dependiendo del uso dado, envíe su herramienta, batería y cargador, al Centro de Servicio MILWAUKEE más cercano para que le hagan:

- Lubricación
- Inspección mecánica y limpieza (engranes, flechas, baleros, carcaza, etc.)
- Inspección eléctrica (batería, cargador, motor)
- Probarla para asegurar una adecuada operación mecánica y eléctrica

Si la herramienta no arranca u opera a toda su potencia con una batería completamente cargada, limpie, con una goma o borrador, los contactos de la batería y de la herramienta. Si aun así la herramienta no trabaja correctamente, regrésela, con el cargador y la batería, a un centro de servicio MILWAUKEE para que sea reparada.

⚠️ ADVERTENCIA

Para reducir el riesgo de una explosión, no quemé nunca una batería, aun si está dañada, "muerta" o completamente descargada.

Limpieza

Limpie el polvo y suciedad de las ventilas del cargador y la herramienta. Mantenga los mangos y empuñaduras limpios, secos y libres de aceite o grasa. Use solo jabón neutro y un trapo húmedo para limpiar la herramienta, batería y el cargador, ya que algunos substancias y solventes limpiadores son dañinos a los plásticos y partes aislantes. Algunos de estos incluyen: gasolina, turpentina, thinner, lacas, thinner para pinturas, solventes para limpieza con cloro, amoníaco y detergentes caseros que tengan amonía. Nunca usa solventes inflamables o combustibles cerca de una herramienta.

Reparaciones

Si su herramienta, batería o cargador están dañados, envíela al centro de servicio más cercano de los listados en la cubierta posterior de este manual del operario.

ACCESORIOS

⚠️ ADVERTENCIA

Para reducir el riesgo de lesiones, siempre extraiga la batería antes de cambiar o retirar accesorios. Utilice únicamente accesorios específicamente recomendados para esta herramienta. El uso de accesorios no recomendados podría resultar peligroso.

Para una lista completa de accesorios, refiérase a su catálogo MILWAUKEE Electric Tool o visite nuestro sitio en Internet: www.milwaukeetool.com. Para obtener un catálogo, contacte su distribuidor local o uno de los centros de servicio.

GARANTÍA LIMITADA - E.U.A. Y CANADA

Se garantiza al comprador original que ninguna de las herramientas eléctricas MILWAUKEE (incluido el producto inalámbrico, la herramienta y las baterías; consulte las declaraciones distintas y por separado en GARANTÍA LIMITADA DEL PAQUETE DE BATERÍAS INALÁMBRICAS y de las luces de trabajo y del cargador de baterías*) presentan defectos en material ni en mano de obra. En un plazo de cinco (5) años* a partir de la fecha de compra y sujeto a ciertas excepciones, MILWAUKEE reparará o reemplazará cualquier parte de una herramienta eléctrica que, luego de ser examinada, MILWAUKEE compruebe que presenta defectos en material o mano de obra, a menos que se indique lo contrario. Se requiere la devolución de la herramienta eléctrica a un centro de mantenimiento de la fábrica MILWAUKEE o a un centro de reparaciones autorizado por MILWAUKEE, con gastos de envío prepagados y asegurados. La devolución del producto debe estar acompañada por un comprobante de compra. Esta garantía no se aplica a los daños que MILWAUKEE establece que fueron ocasionados por reparaciones o intentos de reparación por parte de personal no autorizado por MILWAUKEE, uso indebido, alteraciones, abuso, desgaste y deterioro normal, falta de mantenimiento o accidentes.

*El período de garantía de las radios para obras, del puerto de alimentación M12™, Fuente de poder M18™, y de las carretillas de trabajo industrial Trade Titan™ es de un (1) año a partir de la fecha de compra. El período de garantía de la lámpara de trabajo con diodo luminiscente y del foco mejorado con diodo luminiscente es una garantía VITALICIA limitada para el comprador original únicamente. Si durante el uso normal el foco de diodo luminiscente no funciona, la lámpara de trabajo o el foco mejorado se reemplazará sin carga.

*Esta garantía no cubre las clavadoras aéreas, las engrapadoras, el rociador de pintura inalámbrico, el paquete de baterías inalámbrico, los generadores eléctricos portátiles que funcionan con gasolina, herramientas manuales, elevadores (eléctricos, con palanca y con cadenas manuales), camisas de calefacción M12™, productos reacondicionados y productos de prueba y medición. Se encuentran disponibles garantías distintas para estos productos.

No se necesita registro de garantía para obtener la garantía correspondiente de un producto eléctrico MILWAUKEE. La fecha de fabricación del producto se utilizará para determinar el período de garantía si no se presenta un comprobante de compra en el momento en que se solicita el servicio de garantía.

LA ACEPTACIÓN DE LOS DERECHOS A REPARACIÓN Y REEMPLAZO EXCLUSIVAMENTE DESCRITOS EN EL PRESENTE DOCUMENTO CONSTITUYE UNA CONDICIÓN DEL CONTRATO POR LA COMPRA DE CADA PRODUCTO MILWAUKEE. SI NO ACEPTA ESTA CONDICIÓN, NO DEBE COMPRAR EL PRODUCTO. MILWAUKEE NO SERÁ EN NINGÚN CASO RESPONSABLE DE DAÑOS INCIDENTALES, ESPECIALES, CONSECUENTES O PUNITIVOS, NI DE COSTOS, HONORARIOS DE ABOGADOS, GASTOS, PÉRDIDAS O DEMORAS SUPUESTAMENTE CAUSADOS COMO CONSECUENCIA DE CUALQUIER DAÑO, FALLA O DEFECTO EN CUALQUIER PRODUCTO, INCLUIDOS, A MODO DE EJEMPLO, RECLAMOS POR PÉRDIDA DE GANANCIAS. ALGUNOS ESTADOS NO PERMITEN LA EXCLUSIÓN O LA LIMITACIÓN DE DAÑOS INCIDENTALES O CONSECUENTES. POR LO TANTO, LAS LIMITACIONES Y EXCLUSIONES ANTERIORES PUEDEN NO APLICARSE PARA USTED. ESTA GARANTÍA ES EXCLUSIVA Y SUSTITUYE A TODAS LAS OTRAS GARANTÍAS EXPRESAS, ESCRITAS U ORALES. SEGÚN LO PERMITA LA LEY, MILWAUKEE SE EXIME DE TODA GARANTÍA IMPLÍCITA, INCLUIDOS, A MODO DE EJEMPLO, TODA GARANTÍA IMPLÍCITA DE COMERCIABILIDAD O IDONEIDAD PARA UN USO O PROPÓSITO EN PARTICULAR; EN LA MEDIDA EN QUE DICHA RENUNCIA NO ESTÉ PERMITIDA POR LA LEY, DICHAS GARANTÍAS IMPLÍCITAS ESTÁN LIMITADAS A LA DURACIÓN DE LA GARANTÍA EXPRESA APLICABLE SEGÚN SE DESCRIBE ANTERIORMENTE. ALGUNOS ESTADOS NO PERMITEN LIMITACIONES EN LA DURACIÓN DE UNA GARANTÍA IMPLÍCITA. POR LO TANTO, LA LIMITACIÓN ANTERIOR PUEDE NO APLICARSE PARA USTED. ESTA GARANTÍA LE OTORGA DERECHOS LEGALES ESPECÍFICOS Y TAMBIÉN PUEDE TENER OTROS DERECHOS QUE VARIAN DE ESTADO EN ESTADO.

Esta garantía se aplica a los productos vendidos en los EE. UU. y Canadá. Consulte 'Service Center Search' (Búsqueda de centro de servicio) en la sección Parts & Services (Piezas y servicios) del sitio web MILWAUKEE, www.milwaukeetool.com o llame al 1.800.SAWDUST (1.800.729.3878) para encontrar su Centro de Servicio de la fábrica de MILWAUKEE más cercano.

PÓLIZA DE GARANTÍA - VALIDA SOLO PARA MÉXICO, AMÉRICA CENTRAL Y EL CARIBE

TECHTRONIC INDUSTRIES., garantiza por 5 años este producto a partir de la fecha original de compra. Esta garantía cubre cualquier defecto que presenten las piezas, componentes y la mano de obra contenidas en este producto. Para América Central y el Caribe se debe confirmar en el Centro de Servicio Autorizado el plazo de la garantía. Para hacer efectiva la Garantía deberá presentar al Centro de Servicio Autorizado la Póliza de Garantía sellada por el establecimiento en donde adquirió el producto. Si no la tienen, podrá presentar el comprobante de compra original. Usted puede llamar sin costo al teléfono 01 800 832 1949 o por correo electrónico a la dirección "servicio@ttgroupna.com", para ubicar el Centro de Servicio Autorizado más cercano a su domicilio, en el cual además podrá adquirir partes, componentes, consumibles y accesorios, que usted necesite.

Procedimiento para hacer válida la garantía

Acuda al Centro de Servicio con el producto y la póliza de garantía sellada por el establecimiento donde realizó la compra. Ahí se reemplazará cualquier pieza o componente defectuoso sin cargo alguno para el usuario final. La empresa se hace responsable de los gastos de transportación razonablemente erogados que se deriven del cumplimiento de la presente garantía.

Excepciones

La garantía perderá validez en los siguientes casos:

- a) Cuando el producto se hubiese utilizado en condiciones distintas a las normales.
 - b) Cuando el producto no hubiese sido operado de acuerdo con el instructivo de uso que le acompaña.
 - c) Cuando el producto hubiese sido alterado o reparado por personas no autorizadas por TECHTRONIC INDUSTRIES.
- Nota: Si el cordón de alimentación es dañado, este debe ser reemplazado por el fabricante o por un Centro de Servicio Autorizado para evitar riesgo.

Modelo: _____

Fecha de Compra: _____

Sello del Distribuidor: _____

CENTRO DE SERVICIO Y ATENCIÓN A CLIENTES
Av Presidente Mazarik 29 Piso 7, 11570 Chapultepec Morales
Miguel Hidalgo, Distrito Federal, Mexico
Tel. 52 55 4160-3547

IMPORTADO Y COMERCIALIZADO POR:
TECHTRONIC INDUSTRIES MEXICO, .S.A. DE C.V.
Av Presidente Mazarik 29 Piso 7, 11570 Chapultepec Morales
Miguel Hidalgo, Distrito Federal, Mexico

UNITED STATES MILWAUKEE Service

MILWAUKEE prides itself in producing a premium quality product that is NOTHING BUT HEAVY DUTY®. Your satisfaction with our products is very important to us! If you encounter any problems with the operation of this tool, or you would like to locate the factory Service/Sales Support Branch or authorized service station nearest you, please call...

Additionally, we have a nationwide network of authorized Distributors ready to assist you with your tool and accessory needs. Check your "Yellow Pages" phone directory under "Tools-Electric" for the names & addresses of those nearest you or see the 'Where To Buy' section of our website.

1-800-SAWDUST

(1.800.729.3878)

Monday-Friday
7:00 AM - 6:30 PM
Central Time

or visit our website at

www.milwaukeetool.com

For service information, use the 'Service Center Search' icon found in the 'Parts & Service' section.

Contact our Corporate After Sales Service Technical Support about ...

- Technical Questions
- Service/Repair Questions
- Warranty

call: 1-800-SAWDUST
fax: 1.800.638.9582

email: metproductsupport@milwaukeetool.com

Register your tool online at www.milwaukeetool.com and...

- receive important notifications regarding your purchase
- ensure that your tool is protected under the warranty
- become a HEAVY DUTY club member

CANADA - Service MILWAUKEE

MILWAUKEE prides itself in producing a premium quality product that is NOTHING BUT HEAVY DUTY®. Your satisfaction with our products is very important to us!

If you encounter any problems with the operation of this tool, or you would like to locate the factory Service/Sales Support Branch or authorized service station nearest you, please call...

1.800.268.4015

Monday – Friday 7:00 – 4:30 CST
fax: 866.285.9049

Milwaukee Electric Tool (Canada) Ltd

140 Fernstaff Court, Unit 4 18129 111 Avenue NW
Vaughan, ON L4K 3L8 Edmonton, AB T5S 2P2

Additionally, we have a nationwide network of authorized Distributors ready to assist you with your tool and accessory needs. Call 1.800.268.4015 to find the names and addresses of the closest retailers or consult "Where to buy" on our Web site www.milwaukeetool.com

MILWAUKEE est fier de proposer un produit de première qualité NOTHING BUT HEAVY DUTY®. Votre satisfaction est ce qui compte le plus!

En cas de problèmes d'utilisation de l'outil ou pour localiser le centre de service/ventes ou le centre d'entretien le plus proche, appelez le...

1.800.268.4015

Lundi – Vendredi 7:00 – 4:30 CST
fax: 866.285.9049

Milwaukee Electric Tool (Canada) Ltd

140 Fernstaff Court, Unit 4 18129 111 Avenue NW
Vaughan, ON L4K 3L8 Edmonton, AB T5S 2P2

Notre réseau national de distributeurs agréés se tient à votre disposition pour fournir l'aide technique, l'outillage et les accessoires nécessaires. Composez le 1.800.268.4015 pour obtenir les noms et adresses des revendeurs les plus proches ou bien consultez la section «Où acheter» sur notre site web à l'adresse www.milwaukeetool.com

MEXICO - Soporte de Servicio MILWAUKEE

CENTRO DE ATENCIÓN A CLIENTES

Av Presidente Mazarik 29 Piso 7
11570 Chapultepec Morales
Miguel Hidalgo, Distrito Federal, Mexico
Telefono 52 55 4160-3547
e-mail: servicio@ttigroupna.com

Adicionalmente, tenemos una red nacional de distribuidores autorizados listos para ayudarle con su herramienta y sus accesorios. Por favor, llame al 01 800 832 1949 para obtener los nombres y direcciones de los más cercanos a usted, o consulte la sección 'Where to buy' (Dónde comprar) de nuestro sitio web en

www.ttigroupmexico.com

MILWAUKEE ELECTRIC TOOL CORPORATION
13135 West Lisbon Road • Brookfield, Wisconsin, U.S.A. 53005

58-14-0700d5

06/13

Printed in China

Free Manuals Download Website

<http://myh66.com>

<http://usermanuals.us>

<http://www.somanuals.com>

<http://www.4manuals.cc>

<http://www.manual-lib.com>

<http://www.404manual.com>

<http://www.luxmanual.com>

<http://aubethermostatmanual.com>

Golf course search by state

<http://golfingnear.com>

Email search by domain

<http://emailbydomain.com>

Auto manuals search

<http://auto.somanuals.com>

TV manuals search

<http://tv.somanuals.com>