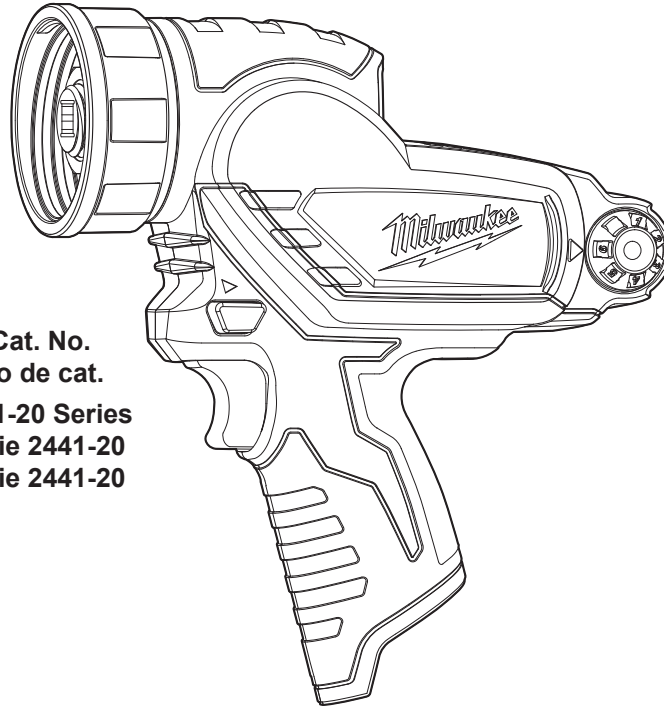




**OPERATOR'S MANUAL  
MANUEL de L'UTILISATEUR  
MANUAL del OPERADOR**



**Cat. No.  
No de cat.  
2441-20 Series  
Série 2441-20  
Serie 2441-20**

**M12™ CORDLESS CAULK AND ADHESIVE GUN  
PISTOLET À COLLE ET CALFEUTRAGE M12™  
PISTOLA DE CALAFATEO Y APLICACION DE ADHESIVO DE M12™**

***TO REDUCE THE RISK OF INJURY, USER MUST READ AND UNDERSTAND OPERATOR'S MANUAL.***

***AFIN DE RÉDUIRE LE RISQUE DE BLESSURES, L'UTILISATEUR DOIT LIRE ET BIEN COMPRENDRE LE MANUEL DE L'UTILISATEUR.***

***PARA REDUCIR EL RIESGO DE LESIONES, EL USUARIO DEBE LEER Y ENTENDER EL MANUAL DEL OPERADOR.***

## GENERAL POWER TOOL SAFETY WARNINGS

**⚠ WARNING READ ALL SAFETY WARNINGS AND ALL INSTRUCTIONS.** Failure to follow the warnings and instructions may result in electric shock, fire and/or serious injury. **Save all warnings and instructions for future reference.** The term "power tool" in the warnings refers to your mains-operated (corded) power tool or battery-operated (cordless) power tool.

### WORK AREA SAFETY

- Keep work area clean and well lit. Cluttered or dark areas invite accidents.
- Do not operate power tools in explosive atmospheres, such as in the presence of flammable liquids, gases or dust. Power tools create sparks which may ignite the dust or fumes.
- Keep children and bystanders away while operating a power tool. Distractions can cause you to lose control.

### ELECTRICAL SAFETY

- Power tool plugs must match the outlet. Never modify the plug in any way. Do not use any adapter plugs with earthed (grounded) power tools. Unmodified plugs and matching outlets will reduce risk of electric shock.
- Avoid body contact with earthed or grounded surfaces such as pipes, radiators, ranges and refrigerators. There is an increased risk of electric shock if your body is earthed or grounded.
- Do not expose power tools to rain or wet conditions. Water entering a power tool will increase the risk of electric shock.
- Do not abuse the cord. Never use the cord for carrying, pulling or unplugging the power tool. Keep cord away from heat, oil, sharp edges or moving parts. Damaged or entangled cords increase the risk of electric shock.
- When operating a power tool outdoors, use an extension cord suitable for outdoor use. Use of a cord suitable for outdoor use reduces the risk of electric shock.
- If operating a power tool in a damp location is unavoidable, use a residual current device (RCD) protected supply. Use of an RCD reduces the risk of electric shock.

### PERSONAL SAFETY

- Stay alert, watch what you are doing and use common sense when operating a power tool. Do not use a power tool while you are tired or under the influence of drugs, alcohol or medication. A moment of inattention while operating power tools may result in serious personal injury.
- Use personal protective equipment. Always wear eye protection. Protective equipment such as dust mask, non-skid safety shoes, hard hat, or hearing protection used for appropriate conditions will reduce personal injuries.
- Prevent unintentional starting. Ensure the switch is in the off-position before connecting to power source and/or battery pack, picking up or carrying the tool. Carrying power tools with your finger on the switch or energising power tools that have the switch on invites accidents.

- Remove any adjusting key or wrench before turning the power tool on. A wrench or a key left attached to a rotating part of the power tool may result in personal injury.
- Do not overreach. Keep proper footing and balance at all times. This enables better control of the power tool in unexpected situations.
- Dress properly. Do not wear loose clothing or jewellery. Keep your hair, clothing and gloves away from moving parts. Loose clothes, jewellery or long hair can be caught in moving parts.
- If devices are provided for the connection of dust extraction and collection facilities, ensure these are connected and properly used. Use of dust collection can reduce dust-related hazards.

### POWER TOOL USE AND CARE

- Do not force the power tool. Use the correct power tool for your application. The correct power tool will do the job better and safer at the rate for which it was designed.
- Do not use the power tool if the switch does not turn it on and off. Any power tool that cannot be controlled with the switch is dangerous and must be repaired.
- Disconnect the plug from the power source and/or the battery pack from the power tool before making any adjustments, changing accessories, or storing power tools. Such preventive safety measures reduce the risk of starting the power tool accidentally.
- Store idle power tools out of the reach of children and do not allow persons unfamiliar with the power tool or these instructions to operate the power tool. Power tools are dangerous in the hands of untrained users.
- Maintain power tools. Check for misalignment or binding of moving parts, breakage of parts and any other condition that may affect the power tool's operation. If damaged, have the power tool repaired before use. Many accidents are caused by poorly maintained power tools.
- Keep cutting tools sharp and clean. Properly maintained cutting tools with sharp cutting edges are less likely to bind and are easier to control.
- Use the power tool, accessories and tool bits etc., in accordance with these instructions, taking into account the working conditions and the work to be performed. Use of the power tool for operations different from those intended could result in a hazardous situation.

### BATTERY TOOL USE AND CARE

- Recharge only with the charger specified by the manufacturer. A charger that is suitable for one type of battery pack may create a risk of fire when used with another battery pack.

- Use power tools only with specifically designed battery packs. Use of any other battery packs may create a risk of injury and fire.
- When battery pack is not in use, keep it away from other metal objects like paper clips, coins, keys, nails, screws, or other small metal objects that can make a connection from one terminal to another. Shorting the battery terminals together may cause burns or a fire.
- Under abusive conditions, liquid may be ejected from the battery; avoid contact. If contact accidentally occurs, flush with water. If liquid contacts eyes, additionally seek medical help. Liquid ejected from the battery may cause irritation or burns.

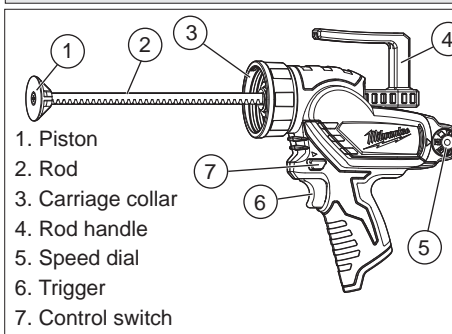
### SERVICE

- Have your power tool serviced by a qualified repair person using only identical replacement parts. This will ensure that the safety of the power tool is maintained.

### SPECIFIC SAFETY RULES

- Keep hands out of the piston and rod area of the caulk gun. Fingers can be pinched between the tube holder and the piston.
- Maintain labels and nameplates. These carry important information. If unreadable or missing, contact a MILWAUKEE service facility for a free replacement.
- WARNING Some dust created by power sanding, sawing, grinding, drilling, and other construction activities contains chemicals known to cause cancer, birth defects or other reproductive harm. Some examples of these chemicals are:
  - lead from lead-based paint
  - crystalline silica from bricks and cement and other masonry products, and
  - arsenic and chromium from chemically-treated lumber.
 Your risk from these exposures varies, depending on how often you do this type of work. To reduce your exposure to these chemicals: work in a well ventilated area, and work with approved safety equipment, such as those dust masks that are specially designed to filter out microscopic particles.

### FUNCTIONAL DESCRIPTION



## SYMBOLOLOGY

	Volts
	Direct Current
	Underwriters Laboratories, Inc. United States and Canada

### SPECIFICATIONS

Cat. No.	Volts DC
2441 Series	12

## ASSEMBLY

**⚠ WARNING** Recharge only with the charger specified for the battery. For specific charging instructions, read the operator's manual supplied with your charger and battery.

**⚠ WARNING** Always remove battery pack before changing or removing accessories. Only use accessories specifically recommended for this tool. Others may be hazardous.

### Inserting/Removing the Battery

To remove the battery, push in the release buttons and pull the battery pack away from the tool. To insert the battery, slide the pack into the body of the tool. Make sure it latches securely into place.

### Inserting the Rod

The piston and rod must match the carriage being used to avoid possible damage to the tool or material. Use only rods and carriages specifically designed for the M12 Caulk and Adhesive Gun. Other rods and carriages may cause damage to the tool.

1. Push the control switch to the Rack Release position. Remove the battery pack.
2. Grasp the rod handle. The teeth on the rod should point down.
3. Insert the rod from the rear of the tool. It may be necessary to wiggle the rod slightly while pushing it through the tool. Do not run the tool to pull the rod through the tool, this will damage the tool and rod.
4. Attach the piston.

**NOTE:** Keep the piston and rod clean. Retracting or inserting a piston that is covered with material may damage the internal parts of the tool.

### Installing the Carriage or Barrel

Use only rods and carriages specifically designed for the M12 Caulk and Adhesive Gun. Other rods and carriages may cause damage to the tool. Place the carriage collar securely while screwing the carriage into the collar.

### Installing Caulk or Adhesive Tube

Always check tubes for punctures or damage before installing. Do not use a damaged or frozen tube.

1. Push the control switch to the Rack Release position. Remove the battery pack.
  2. Cut nozzle of tube at an angle and size per manufacturer's recommendation to suit the job (unless the nozzle is pre-cut). A smaller nozzle diameter requires more force to push the caulk and reduces battery life.
  3. Break the inner seal of the tube. If the inner seal is not broken, the caulk material may be forced out the rear end of the tube and damage the tool.
- NOTE:** Before using a partially filled tube, remove any hardened material with a long nail or piece of wire.
4. Pull the rod handle back to allow the tube to fit inside the carriage.

**WARNING** To reduce the risk of injury, keep hands out of the piston area of the tool. Fingers can be pinched between carriage and the piston.

5. Insert tube into the carriage.
6. Push the rod handle forward until the piston is against the tube.
7. Push the control switch to the Forward position.
8. To remove the tube, push the control switch to the Rack Release position and pull the rod handle back. Lift the tube out of the carriage.

### Installing Sausage Type Pack

Always check sausage packs for punctures or damage before installing. Do not use a damaged or frozen pack.

1. Push the control switch to the Rack Release position. Remove the battery pack.
2. Pull the rod handle back to allow the pack to fit inside the barrel.
3. Insert pack into barrel.
4. Cut off end of sausage pack per manufacturer's recommendation.

- NOTE:** Before using a partially filled pack, remove any hardened material.
5. Insert nozzle supplied with the sausage pack into the nozzle cap and screw onto the barrel.
  6. Cut nozzle at an angle and size per manufacturer's recommendation to suit the job (unless the nozzle is pre-cut). A smaller nozzle diameter requires more force to push the caulk and reduces battery life.
  7. Push the rod handle forward until the piston is against the pack.
  8. Push the control switch to the Forward position.

## OPERATION

**WARNING** Always remove battery pack before changing or removing accessories. Only use accessories specifically recommended for this tool. Others may be hazardous.

**WARNING** To reduce the risk of injury, keep hands away from all moving parts. Always wear safety goggles or glasses with side shields.

### Fuel Gauge

To determine the amount of charge left in the battery, pull the trigger. The Fuel Gauge will light up for 2-3 seconds.

To signal the end of charge, 1 light on the fuel gauge will flash for 2-3 seconds.

### Anti-Drip and Rod Release

The caulk gun features an automatic anti-drip to prevent drips after the trigger is released.

### End of travel

When a tube is emptied, the motor will automatically reverse to release pressure, then shut off. Release the trigger and change the tube.

### Overload

When an overload occurs, the tool will reach the maximum drive force and continue to hold this maximum force until the user releases the trigger. If material is not dispensing, make sure that:

- Nozzle tip is cut
- Inner seal in the caulk tube is broken
- Hardened material is removed from the nozzle
- Caulk tube is not damaged or frozen
- Rod is free of caulk/adhesive materials

### Starting and Stopping and Controlling Speed

1. Pull trigger to dispense material.
2. Increase or decrease pressure on the trigger to dispense the material. Adjust the speed dial to select the maximum speed for proper bead width and material flow rate ("1" for slowest, "6" for fastest). The trigger pressure, selected speed, material type, temperature and nozzle diameter will all affect the flow rate. When using a tube or pack with a smaller nozzle diameter use a slower speed or the material may be forced around the rear tube seat.

**NOTE:** Operating the gun at high speeds may damage the dispensing tube or pack for some materials. For best results, gradually increase speed settings.

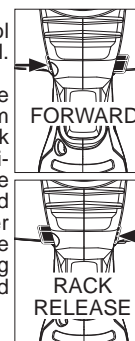
3. Release trigger to stop dispensing material.
- NOTE:** The piston will stop automatically when it has reached the end of the tube.

### Using the Control Switch

The control switch may be set to two positions: forward and rack release.

For **forward**, push in the control switch from the right side of the tool. The tool will run normally.

To **lock** the trigger and **release** the rack, push in the control switch from the left side of the tool. The rack can be moved to the desired position. The trigger will not work while the control switch is in the locked position. Always lock the trigger or remove the battery pack before performing maintenance, changing accessories, storing the tool and any time the tool is not in use.



## MAINTENANCE

**WARNING** To reduce the risk of injury, always unplug the charger and remove the battery pack from the charger or tool before performing any maintenance. Never disassemble the tool, battery pack or charger. Contact a MILWAUKEE service facility for ALL repairs.

### Maintaining Tool

Keep your tool, battery pack and charger in good repair by adopting a regular maintenance program. After six months to one year, depending on use, return the tool, battery pack and charger to a MILWAUKEE service facility for:

- Lubrication
- Mechanical inspection and cleaning (gears, spindles, bearings, housing, etc.)
- Electrical inspection (battery pack, charger, motor)
- Testing to assure proper mechanical and electrical operation

If the tool does not start or operate at full power with a fully charged battery pack, clean the contacts on the battery pack. If the tool still does not work properly, return the tool, charger and battery pack, to a MILWAUKEE service facility for repairs.

**WARNING** To reduce the risk of personal injury and damage, never immerse your tool, battery pack or charger in liquid or allow a liquid to flow inside them.

### Cleaning

Clean dust and debris from charger and tool vents. Keep tool handles clean, dry and free of oil or grease. Use only mild soap and a damp cloth to clean the tool, battery pack and charger since certain cleaning agents and solvents are harmful to plastics and other insulated parts. Some of these include gasoline, turpentine, lacquer thinner, paint thinner, chlorinated cleaning solvents, ammonia and household detergents containing ammonia. Never use flammable or combustible solvents around tools.

### Repairs

For repairs, return the tool, battery pack and charger to the nearest service center.

## ACCESSORIES

**WARNING** Always remove battery pack before changing or removing accessories. Only use accessories specifically recommended for this tool. Others may be hazardous.

For a complete listing of accessories refer to your MILWAUKEE Electric Tool catalog or go online to [www.milwaukeeetool.com](http://www.milwaukeeetool.com). To obtain a catalog, contact your local distributor or service center.

### M12™ 10oz. Cartridge Conversion Kit

Cat. No. 48-08-0900

### M12™ 20oz. Aluminum Sausage Style Conversion Kit

Cat. No. 48-08-0905

### M12™ Quart Conversion Kit

Cat. No. 48-08-0910

### 20oz. Aluminum Barrel Only

Cat. No. 48-08-1091

### 20oz. Clear Barrel Only

Cat. No. 48-08-1096

### Caulk Gun Nozzle - Black

Cat. No. 31-12-0700

### LIMITED WARRANTY - USA AND CANADA

Every *MILWAUKEE* power tool (including cordless product – tool, battery pack(s) – see separate & distinct *CORDLESS BATTERY PACK LIMITED WARRANTY statements* & battery charger and Work Lights\*) is warranted to the original purchaser only to be free from defects in material and workmanship. Subject to certain exceptions, *MILWAUKEE* will repair or replace any part on an electric power tool which, after examination, is determined by *MILWAUKEE* to be defective in material or workmanship for a period of five (5) years\* after the date of purchase unless otherwise noted. Return of the power tool to a *MILWAUKEE* factory Service Center location or *MILWAUKEE* Authorized Service Station, freight prepaid and insured, is required. A copy of the proof of purchase should be included with the return product. This warranty does not apply to damage that *MILWAUKEE* determines to be from repairs made or attempted by anyone other than *MILWAUKEE* authorized personnel, misuse, alterations, abuse, normal wear and tear, lack of maintenance, or accidents.

\*The warranty period for, Job Site Radios, M12™ Power Port and Trade Titan™ Industrial Work Carts is one (1) year from the date of purchase. The warranty period for a LED Work Light and LED Upgrade Bulb is a limited LIFETIME warranty to the original purchaser only, if during normal use the LED bulb fails the Work Light or Upgrade Bulb will be replaced free of charge.

\*This warranty does not cover Air Nailers & Stapler, Airless Paint Sprayer, Cordless Battery Packs, Gasoline Driven Portable Power Generators, Hand Tools, Hoist – Electric, Lever & Hand Chain, M12™ Heated Jackets, Reconditioned product and Test & Measurement products. There are separate and distinct warranties available for these products.

Warranty Registration is not necessary to obtain the applicable warranty on a *MILWAUKEE* power tool product. The manufacturing date of the product will be used to determine the warranty period if no proof of purchase is provided at the time warranty service is requested.

ACCEPTANCE OF THE EXCLUSIVE REPAIR AND REPLACEMENT REMEDIES DESCRIBED HEREIN IS A CONDITION OF THE CONTRACT FOR THE PURCHASE OF EVERY *MILWAUKEE* PRODUCT. IF YOU DO NOT AGREE TO THIS CONDITION, YOU SHOULD NOT PURCHASE THE PRODUCT. IN NO EVENT SHALL *MILWAUKEE* BE LIABLE FOR ANY INCIDENTAL, SPECIAL, CONSEQUENTIAL OR PUNITIVE DAMAGES, OR FOR ANY COSTS, ATTORNEY FEES, EXPENSES, LOSSES OR DELAYS ALLEGED TO BE AS A CONSEQUENCE OF ANY DAMAGE TO, FAILURE OF, OR DEFECT IN ANY PRODUCT INCLUDING, BUT NOT LIMITED TO, ANY CLAIMS FOR LOSS OF PROFITS. SOME STATES DO NOT ALLOW THE EXCLUSION OR LIMITATION OF INCIDENTAL OR CONSEQUENTIAL DAMAGES, SO THE ABOVE LIMITATION OR EXCLUSION MAY NOT APPLY TO YOU. THIS WARRANTY IS EXCLUSIVE AND IN LIEU OF ALL OTHER EXPRESS WARRANTIES, WRITTEN OR ORAL. TO THE EXTENT PERMITTED BY LAW, *MILWAUKEE* DISCLAIMS ANY IMPLIED WARRANTIES, INCLUDING WITHOUT LIMITATION ANY IMPLIED WARRANTY OF MERCHANTABILITY OR FITNESS FOR A PARTICULAR USE OR PURPOSE; TO THE EXTENT SUCH DISCLAIMER IS NOT PERMITTED BY LAW, SUCH IMPLIED WARRANTIES ARE LIMITED TO THE DURATION OF THE APPLICABLE EXPRESS WARRANTY AS DESCRIBED ABOVE. SOME STATES DO NOT ALLOW LIMITATIONS ON HOW LONG AN IMPLIED WARRANTY LASTS, SO THE ABOVE LIMITATION MAY NOT APPLY TO YOU, THIS WARRANTY GIVES YOU SPECIFIC LEGAL RIGHTS, AND YOU MAY ALSO HAVE OTHER RIGHTS WHICH VARY FROM STATE TO STATE.

This warranty applies to product sold in the U.S.A. and Canada only.

Please consult the 'Service Center Search' in the Parts & Service section of *MILWAUKEE*'s website [www.milwaukeeool.com](http://www.milwaukeeool.com) or call **1.800.SAWDUST (1.800.729.3878)** to locate your nearest *MILWAUKEE* factory Service Center location.

### LIMITED WARRANTY - MEXICO, CENTRAL AMERICA AND CARIBBEAN

TECHTRONIC INDUSTRIES' warranty is for 5 year since the original purchase date.

This warranty card covers any defect in material and workmanship on this Power Tool.

To make this warranty valid, present this warranty card, sealed/stamped by the distributor or store where you purchased the product, to the Authorized Service Center (ASC). Or, if this card has not been sealed/stamped, present the original proof of purchase to the ASC.

Call toll-free 1 800 832 1949 to find the nearest ASC, for service, parts, accessories or components.

#### Procedure to make this warranty valid

Take the product to the ASC, along with the warranty card sealed/stamped by the distributor or store where you purchased the product, and there any faulty piece or component will be replaced without cost for you. We will cover all freight costs relative with this warranty process.

#### Exceptions

This warranty is not valid in the following situations:

- When the product is used in a different manners from the end-user guide or instruction manual.
  - When the conditions of use are not normal.
  - When the product was modified or repaired by people not authorized by TECHTRONIC INDUSTRIES.
- Note: If cord set is damaged, it should be replaced by an Authorized Service Center to avoid electric risks.

Model: \_\_\_\_\_

Date of Purchase: \_\_\_\_\_

Distributor or Store Stamp:

SERVICE AND ATTENTION CENTER  
Rafael Buelna No.1.  
Col. Tezozomoc Mexico, Azcapotzalco D.F.  
Ph. 01 800 832 1949

IMPORTED AND COMMERCIALIZED BY:  
TECHTRONIC INDUSTRIES MEXICO, S.A. DE C.V.  
Av. Santa Fe 481 piso 6, Col. Curz Manca.  
CP 05349, Cuajimalpa, D.F.

### RÈGLES DE SÉCURITÉ GÉNÉRALES RELATIVES AUX OUTILS ÉLECTRIQUES

**AVERTISSEMENT LIRE TOUTES LES RÈGLES ET INSTRUCTIONS DE SÉCURITÉ.** Ne pas suivre l'ensemble des règles et instructions peut entraîner une électrocution, un incendie ou des blessures graves. **Conserver les règles et les instructions à des fins de référence ultérieure.** Le terme «outil électrique» figurant dans les avertissements ci-dessous renvoie à l'outil électrique à alimentation par le réseau (à cordon) ou par batterie (sans fil).

#### SÉCURITÉ DU LIEU DE TRAVAIL

- **Maintenir la zone de travail propre et bien éclairée.** Les zones encombrées ou mal éclairées sont favorables aux accidents.
- **Ne pas utiliser d'outil électrique dans une atmosphère explosive, telle qu'en en présence de liquides, de gaz ou de poussières inflammables.** Les outils électriques génèrent des étincelles qui peuvent enflammer les poussières ou les fumées.
- **Tenir les enfants et les personnes non autorisées à l'écart pendant le fonctionnement d'un outil électrique.** Un manque d'attention de l'opérateur risque de lui faire perdre le contrôle de l'outil.

#### SÉCURITÉ ÉLECTRIQUE

- **La fiche de l'outil électrique doit correspondre à la prise d'alimentation. Ne jamais modifier la fiche d'une manière quelconque. Ne pas utiliser d'adaptateur avec les outils électriques mis à la terre (à la masse).** Des fiches non modifiées et des prises d'alimentation assorties réduisent le risque de choc électrique.
- **Éviter tout contact corporel avec des surfaces reliées à la masse ou à la terre telles que tuyaux, radiateurs, cuisinières et réfrigérateurs.** Un risque de choc électrique plus élevé existe si le corps est relié à la masse ou à la terre.
- **Ne pas exposer les outils électriques à la pluie ou à l'humidité.** Le risque de choc électrique augmente si de l'eau s'infiltré dans un outil électrique.
- **Prendre soin du cordon. Ne jamais utiliser le cordon pour transporter, tirer ou débrancher l'outil électrique. Tenir le cordon à l'écart de la chaleur, des huiles, des arêtes coupantes ou des pièces en mouvement.** Un cordon endommagé ou emmêlé présente un risque accru de choc électrique.
- **Se procurer un cordon d'alimentation approprié en cas d'utilisation d'un outil électrique à l'extérieur.** L'utilisation d'un cordon d'alimentation pour usage extérieur réduit le risque de choc électrique.
- **S'il est nécessaire d'utiliser l'outil électrique dans un endroit humide, installer un appareil à courant résiduel (RCD).** L'utilisation d'un RCD réduit le risque de décharge électrique.

#### SÉCURITÉ INDIVIDUELLE

- **Être sur ses gardes, être attentif et faire preuve de bon sens en utilisant un outil électrique. Ne pas utiliser un outil électrique en cas de fatigue ou sous l'influence de drogues, d'alcool ou de médicaments.** Un instant d'inattention lors de l'utilisation d'un outil électrique peut entraîner des blessures graves.

- **Porter l'équipement de protection requis. Toujours porter une protection oculaire.** Selon les conditions, porter aussi un masque anti-poussières, des bottes de sécurité antidérapantes, un casque protecteur ou une protection auditive afin de réduire les blessures.
- **Empêcher les démarrages accidentels. S'assurer que la gâchette est en position d'arrêt avant de brancher l'outil à une source de courant, d'insérer la batterie, de le ramasser ou de le transporter.** Le fait de transporter l'outil en gardant le doigt sur la gâchette ou de le brancher lorsque la gâchette est en position de marche favorise les accidents.
- **Retirer toute clé de réglage avant de mettre l'outil sous tension.** Une clé laissée attachée sur une pièce mobile de l'outil électrique peut entraîner des blessures.
- **Ne pas travailler à bout de bras. Bien garder un bon équilibre à tout instant.** Ceci permet de mieux préserver la maîtrise de l'outil électrique dans des situations imprévues.
- **Porter des vêtements adéquats. Ne pas porter de vêtements amples ni de bijoux. Ne pas approcher les cheveux, vêtements et gants des pièces en mouvement.** Les vêtements amples, les bijoux ou les cheveux longs risquent d'être happés par les pièces en mouvement.
- **Si des dispositifs sont prévus pour l'extraction et la récupération des poussières, vérifier qu'ils sont connectés et utilisés correctement.** L'utilisation de ces dispositifs peut réduire les risques liés aux poussières.

#### UTILISATION ET ENTRETIEN DE L'OUTIL ÉLECTRIQUE

- **Ne pas forcer l'outil électrique. Utiliser l'outil électrique approprié à l'application considérée.** L'outil électrique adapté au projet considéré produira de meilleurs résultats, dans des conditions de sécurité meilleures, à la vitesse pour laquelle il a été conçu.
- **Ne pas utiliser l'outil électrique si le commutateur ne le met pas sous ou hors tension.** Tout outil électrique dont le commutateur de marche-arrêt est inopérant est dangereux et doit être réparé.
- **Débrancher la fiche de la prise d'alimentation et/ou la batterie de l'outil électrique avant d'effectuer des réglages, de changer d'accessoires ou de ranger l'outil.** De telles mesures de sécurité préventive réduisent le risque de mettre l'outil en marche accidentellement.
- **Ranger les outils électriques inutilisés hors de la portée des enfants et ne pas laisser des personnes qui connaissent mal les outils électriques ou ces instructions utiliser ces outils.**

Les outils électriques sont dangereux dans les mains d'utilisateurs non formés à leur usage.

- **Entretien des outils électriques. S'assurer de l'absence de tout désalignement ou de grippage des pièces mobiles, de toute rupture de pièce ou de toute autre condition qui pourrait affecter le bon fonctionnement de l'outil électrique. En cas de dommages, faire réparer l'outil avant de l'utiliser de nouveau.** Les outils électriques mal entretenus sont à la source de nombreux accidents.
- **Garder les outils de coupe affûtés et propres.** Les outils de coupe correctement entretenus et bien affûtés risquent moins de se gripper et sont plus faciles à manier.
- **Utiliser l'outil électrique, les accessoires, les grains etc. conformément à ces instructions en tenant compte des conditions de travail et de la tâche à effectuer.** L'utilisation de cet outil électrique pour effectuer une opération pour laquelle il n'est pas conçu peut occasionner une situation dangereuse.

### UTILISATION ET ENTRETIEN DE LA BATTERIE

- **Ne recharger la batterie qu'avec le chargeur spécifié par le fabricant.** Un chargeur qui convient à un type de batterie peut créer un risque d'incendie s'il est utilisé avec un autre type de batterie.
- **N'utiliser les outils électriques qu'avec les batteries spécialement conçues pour eux.** L'utilisation de batteries d'autres marques peut créer un risque de blessure et d'incendie.
- **Lorsque la batterie est hors service, la ranger à l'écart d'autres objets métalliques tels que trombones, pièces de monnaie, clés, clous, vis et autres petits objets métalliques qui peuvent établir une connexion d'une borne à l'autre.** Un court-circuit aux bornes de la batterie peut provoquer des brûlures ou un incendie.
- **Du liquide peut être éjecté de la batterie en cas de manutention abusive ; éviter tout contact. En cas de contact accidentel avec les projections, rincer à l'eau. En cas de contact avec les yeux, consulter un médecin.** Le liquide s'échappant de la batterie peut provoquer des irritations ou des brûlures.

### ENTRETIEN

- **Faire effectuer l'entretien de l'outil électrique par un technicien qualifié qui n'utilisera que des pièces de rechange identiques.** La sécurité d'utilisation de l'outil en sera préservée.

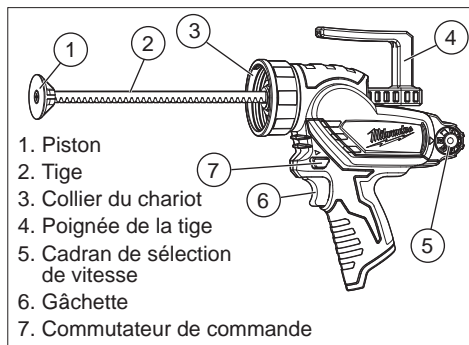
### SPÉCIFICATIONS

No de Cat.	Volts cd
2441 Série	12

### RÈGLES DE SÉCURITÉ SPÉCIFIQUES

- **Garder ses mains à l'écart de la section du piston et de la tige du pistolet à mastic.** Les doigts pourraient être pincés entre le porte-tube et le piston.
- **Maintenir en l'état les étiquettes et les plaques d'identification.** Des informations importantes y figurent. Si elles sont illisibles ou manquantes, contacter un centre de services et d'entretien MILWAUKEE pour un remplacement gratuit.
- **AVERTISSEMENT** Certaines poussières générées par les activités de ponçage, de coupe, de rectification, de perçage et d'autres activités de construction contiennent des substances considérées être la cause de malformations congénitales et de troubles de l'appareil reproducteur. Parmi ces substances figurent :
  - le plomb contenu dans les peintures à base de plomb
  - la silice cristalline des briques, du ciment et d'autres matériaux de maçonnerie, ainsi que
  - l'arsenic et le chrome des sciages traités chimiquement.
 Les risques encourus par l'opérateur envers ces expositions varient en fonction de la fréquence de ce type de travail. Pour réduire l'exposition à ces substances chimiques, l'opérateur doit : travailler dans une zone bien ventilée et porter l'équipement de sécurité approprié, tel qu'un masque anti-poussière spécialement conçu pour filtrer les particules microscopiques.

### DESCRIPTION FONCTIONNELLE



### PICTOGRAPHIE

	Volts
	Tension CD seul.
	Underwriters Laboratories, Inc., États-Unis et Canada

### MONTAGE DE L'OUTIL

**AVERTISSEMENT** Ne recharger la batterie qu'avec le chargeur spécifié. Pour les instructions de charge spécifiques, lire le manuel d'utilisation fourni avec le chargeur et les batteries.

**AVERTISSEMENT** Il faut toujours retirer la batterie et verrouiller la détente de l'outil avant de changer ou d'enlever les accessoires. L'emploi d'accessoires autres que ceux qui sont expressément recommandés pour cet outil peut comporter des risques.

#### Insertion/Retrait de la batterie

Pour **retirer** la batterie, enfoncer les boutons de déverrouillage et la tirer hors de l'outil. Pour **insérer** la batterie, la glisser dans le corps de l'outil. S'assurer qu'elle est fixée solidement.

#### Insertion de la tige

Le piston et la tige doivent correspondre avec le chariot utilisé pour éviter d'endommager l'outil ou le matériau. Utiliser uniquement les tiges et les chariots conçus spécialement pour le pistolet à mastic/adhésif M12. L'utilisation d'autres tiges et chariots peuvent endommager l'outil.

1. Mettre le commutateur de commande en position Relâcher la crémaillère. Retirer le bloc-piles.
2. Saisir la poignée de la tige. Les dents de la tige doivent être orientées vers le bas.
3. Insérer la tige à l'arrière de l'outil. Il peut être nécessaire d'agiter légèrement la tige tout en la poussant dans l'outil. Ne pas faire fonctionner l'outil pour insérer la tige dans l'outil. Ne pas respecter cette directive peut endommager l'outil et la tige.
4. Fixer le piston.

**NOTE :** Garder le piston et la tige propres. Le fait de rétracter ou d'insérer un piston couvert d'enduit peut endommager les pièces internes de l'outil.

#### Installation du chariot ou du barillet

Utiliser uniquement les tiges et les chariots conçus spécialement pour le pistolet à mastic/adhésif M12. L'utilisation d'autres tiges et chariots peuvent endommager l'outil.

Placer le chariot au-dessus du piston et de la tige. Tenir fermement le collier du chariot tout en vissant le chariot dans le collier.

**AVERTISSEMENT** Pour réduire les risques de blessure, garder les mains à l'écart de la section du piston de l'outil. Les doigts pourraient être pincés entre le chariot et le piston.

### Installation de la cartouche de mastic ou d'adhésif

Toujours vérifier si les cartouches sont perforées ou endommagées avant de les installer. Ne pas utiliser une cartouche endommagée ou gelée.

1. Mettre le commutateur de commande en position Relâcher la crémaillère. Retirer le bloc-piles.
2. Couper le bec de la cartouche en respectant les recommandations du fabricant sur l'angle et les dimensions appropriées pour l'application à réaliser (à moins que le bec ait déjà été coupé). L'outil devra délivrer plus de force afin de pousser le mastic par un bec de petit diamètre, ce qui réduira la durée de vie de la pile.
3. Percer le scellé interne de la cartouche. Si ce scellé n'est pas percé, le mastic peut être expulsé par l'extrémité arrière de la cartouche, ce qui risque d'endommager l'outil.
- NOTE :** Avant d'utiliser une cartouche qui n'est pas pleine, retirer tout matériau durci à l'aide d'un grand clou ou d'un bout de fil de fer.
4. Tirer la poignée de la tige vers l'arrière pour libérer l'espace nécessaire à la cartouche à l'intérieur du chariot.
5. Insérer la cartouche dans le chariot.
6. Pousser la poignée de la tige vers l'avant jusqu'à ce que le piston soit appuyé contre la cartouche.
7. Mettre le commutateur de commande en position Marche avant.
8. Pour retirer la cartouche, tirez la poignée de la tige vers l'arrière, puis soulevez la cartouche hors du chariot.

### Installation des emballages saucissonnés

Toujours vérifier si les emballages saucissonnés sont perforés ou endommagés avant de les installer. Ne pas utiliser un emballage endommagé ou gelé.

1. Mettre le commutateur de commande en position Relâcher la crémaillère. Retirer le bloc-piles.
2. Tirer la poignée de la tige vers l'arrière pour libérer l'espace nécessaire pour l'emballage à l'intérieur du barillet.
3. Insérer l'emballage dans le barillet.
4. Couper le bout de l'emballage saucissonné en respectant les recommandations du fabricant.
- NOTE :** Avant d'utiliser un emballage qui n'est pas plein, retirer tout matériau durci.
5. Insérer le bec fourni avec l'emballage saucissonné dans le capuchon à bec et visser le tout sur le barillet.
6. Couper le bec en respectant les recommandations du fabricant sur l'angle et les dimensions appropriées pour l'application à réaliser (à moins que le bout ait déjà été coupé). L'emploi d'un bec de petit diamètre afin de pousser le mastic, requiert plus de force et réduit la durée de vie de la pile.
7. Pousser la poignée de la tige vers l'avant jusqu'à ce que le piston soit appuyé contre l'emballage.
8. Mettre le commutateur de commande en position Marche avant.

## MANIEMENT

**AVERTISSEMENT** Il faut toujours retirer la batterie et verrouiller la détente de l'outil avant de changer ou d'enlever les accessoires. L'emploi d'accessoires autres que ceux qui sont expressément recommandés pour cet outil peut comporter des risques.

**AVERTISSEMENT** Pour réduire le risque de blessures, garder les mains à l'écart de la forets et des autres pièces en mouvement. Toujours porter des lunettes à coques ou des lunettes de protection avec écrans latéraux.

### Indicateur de charge de la batterie

Pour déterminer l'autonomie de la batterie, appuyer sur la gâchette. Pour signaler la fin de la charge, l'indicateur de charge de la batterie met à feu une lumière pendant deux à trois secondes.

### Mécanisme antibavure et de relâchement de la tige

Le pistolet à mastic comporte un mécanisme antibavure automatique qui permet d'éviter tout écoulement lorsque l'utilisateur relâche la gâchette.

### Cartouche vide

Lorsque la cartouche devient vide, le moteur inversera automatiquement vers la position Relâcher la pression, ensuite s'arrête. Relâcher la gâchette et changer la cartouche.

### Surcharge

En cas de surcharge, l'outil atteint sa puissance d'entraînement maximale et maintient cette puissance jusqu'à ce que l'utilisateur relâche la gâchette. Si le matériau n'est pas expulsé, s'assurer que :

- le bout du bec est coupé;
- le scellé interne de la cartouche est perforé;
- le matériau durci a été retiré du bec;
- la cartouche de mastic n'est pas endommagée ou gelée;
- la tige est exempte de mastic ou d'adhésif.

### Démarrage, arrêt et contrôle de la vitesse

1. Appuyer sur la gâchette pour distribuer le matériau.
2. Augmenter ou diminuer la pression de la gâchette pour distribuer le matériau. Régler le cadran de sélection de la vitesse pour sélectionner la vitesse maximale qui convient à la largeur appropriée de cordon et au débit constant approprié du matériau (« 1 » étant la vitesse la plus lente et « 6 » la plus rapide). La pression de la gâchette, la vitesse sélectionnée, le type de matériau, la température et le diamètre du bec auront une incidence sur le débit. Au moment d'utiliser une cartouche ou un emballage ayant un bec dont le diamètre est plus petit, sélectionner une vitesse plus lente. Le non-respect de cette directive peut faire en sorte que le matériau sorte autour de l'assise arrière du tube.

NOTE : Le fait d'utiliser le pistolet à vitesse élevée peut endommager la cartouche ou l'emballage de distribution de certains matériaux. Pour obtenir des résultats optimaux, augmenter graduellement la vitesse.

3. Relâcher la gâchette pour cesser de distribuer le matériau.

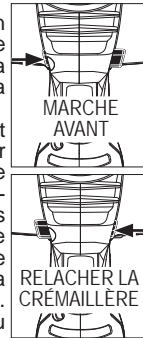
NOTE : Le piston s'arrête automatiquement lorsqu'il atteint l'extrémité de la cartouche.

### Utilisation du commutateur de commande

Le commutateur de commande peut être ajusté en deux positions : Marche avant et Relâcher la crémaillère.

Pour régler l'outil à la position « Marche avant », pousser le commutateur de commande à la droite de l'outil. L'outil fonctionnera normalement.

Pour verrouiller la gâchette et relâcher la crémaillère, pousser le commutateur de commande du côté gauche de l'outil. La crémaillère peut être déplacée vers la position désirée. La gâchette ne fonctionnera pas tant que le commutateur de commande sera réglé à la position « Verrouillage ». Toujours verrouiller la gâchette ou retirer le bloc-piles avant d'effectuer une activité d'entretien, de changer d'accessoire, d'entreposer l'outil, ainsi que chaque fois que l'outil n'est pas utilisé.



## ACCESOIRES

**AVERTISSEMENT** Retirez toujours la batterie avant de changer ou d'enlever les accessoires. L'utilisation d'autres accessoires que ceux qui sont spécifiquement recommandés pour cet outil peut comporter des risques.

Pour une liste complète des accessoires, prière de se reporter au catalogue MILWAUKEE Electric Tool ou visiter le site internet [www.milwaukeetool.com](http://www.milwaukeetool.com). Pour obtenir un catalogue, il suffit de contacter votre distributeur local ou l'un des centres-service.

**Ensemble de conversion de cartouche de 300 ml (10 oz) M12™**  
No de Cat. 48-08-0900

**Ensemble de conversion en aluminium type saucisse de 600 ml (20 oz) M12™**  
No de Cat. 48-08-0905

**Ensemble de conversion de 850 ml (1 qt) M12™**  
No de Cat. 48-08-0910

**Baril en aluminium de 600 ml (20 oz) uniquement**  
No de Cat. 48-08-1091

**Baril transparent de 600 ml (20 oz) uniquement**  
No de Cat. 48-08-1096

**Buse pour pistolet à mastic - noire**  
No de Cat. 31-12-0700

## ENTRETIEN

**AVERTISSEMENT** Pour minimiser les risques de blessures corporelles, débranchez le chargeur et retirez la batterie du chargeur ou de l'outil avant d'y effectuer des travaux d'entretien. Ne démontez jamais l'outil, la batterie ou le chargeur. Pour toute réparation, consultez un centre de service MILWAUKEE accrédité.

### Entretien de l'outil

Gardez l'outil, la batterie et le chargeur en bon état en adoptant un programme d'entretien ponctuel. Après une période de six mois à un an, selon l'utilisation, renvoyez l'outil, la batterie et le chargeur à un centre de service MILWAUKEE accrédité pour les services suivants:

- Lubrification
- Inspection et nettoyage de la mécanique (engrenages, pivots, coussinets, boîtier etc.)
- Inspection électrique (batterie, chargeur, moteur)
- Vérification du fonctionnement électromécanique

Si l'outil ne démarre pas ou ne fonctionne pas à pleine puissance alors qu'il est branché sur une batterie complètement chargée, nettoyez les points de contact entre la batterie et l'outil. Si l'outil ne fonctionne toujours pas correctement, renvoyez l'outil, le chargeur et la batterie à un centre de service MILWAUKEE accrédité, afin qu'on en effectue la réparation (voir "Réparations").

**AVERTISSEMENT** Pour minimiser les risques de blessures ou de dommages à l'outil, n'immergez jamais l'outil, la batterie ou le chargeur et ne laissez pas de liquide s'y infiltrer.

### Nettoyage

Débarrassez les événements du chargeur et de l'outil des débris et de la poussière. Gardez les poignées de l'outil propres, à sec et exemptes d'huile ou de graisse. Le nettoyage de l'outil, du chargeur et de la batterie doit se faire avec un linge humide et un savon doux. Certains nettoyants tels l'essence, la térébenthine, les diluants à laque ou à peinture, les solvants chlorés, l'ammoniaque et les détergents d'usage domestique qui en contiennent pourraient détériorer le plastique et l'isolation des pièces. Ne laissez jamais de solvants inflammables ou combustibles auprès de l'outil.

### Réparations

Pour les réparations, retournez outil, batterie et chargeur en entier au centre-service le plus près.

## GARANTIE LIMITÉE - AUX ÉTATS-UNIS ET AU CANADA

Chaque outil électrique *MILWAUKEE* (y compris les produits sans fil [outils, piles, chargeur de piles, lampe de travail]; consulter les énoncés de la GARANTIE LIMITÉE DES BLOCS-PILES SANS FIL) est garanti à l'acheteur d'origine être exempt de vice de matériau et de fabrication. Sous réserve de certaines exceptions, *MILWAUKEE* réparera ou remplacera toute pièce d'un outil électrique qui, après examen par *MILWAUKEE*, s'est avérée être affectée d'un vice de matériau ou de fabrication pendant une période de cinq (5) ans\* après la date d'achat, sauf indication contraire. Retourner l'outil électrique, à un centre de réparations en usine *MILWAUKEE* ou à un poste d'entretien agréé *MILWAUKEE*, en port prépayé et assuré. Une copie de la preuve d'achat doit être présentée au moment de retourner le produit. Cette garantie ne couvre pas les dommages que *MILWAUKEE* détermine être causés par des réparations ou des tentatives de réparation par quiconque autre que le personnel agréé par *MILWAUKEE*, des utilisations incorrectes, des altérations, des utilisations abusives, une usure normale, une carence d'entretien ou des accidents.

\*La période de garantie applicable pour les radios de chantier, le port d'alimentation M12™ et les chariots de travail industriels Trade Titan™ est d'une durée d'un (1) an à partir de la date d'achat. La période de la garantie couvrant la lampe de travail à DEL et l'ampoule améliorée à DEL est une garantie À VIE limitée à l'acheteur d'origine seulement; si, lors d'une utilisation normale, l'ampoule à DEL présente une défectuosité, la lampe de travail et l'ampoule seront remplacées sans frais.

\*Cette garantie ne s'applique pas aux cloueuses-agrafeuses pneumatiques, aux pulvérisateurs à peinture sans air, aux blocs piles pour outils sans fil, aux génératrices d'alimentation portatives à essence, aux outils à main, aux monte-charge – électrique, à levier et à chaîne (manuel), aux vestes chauffantes M12™, aux produits réusinés, ni aux produits d'essai et de mesure. Il existe des garanties distinctes pour ces produits.

L'enregistrement de la garantie n'est pas nécessaire pour bénéficier de la garantie en vigueur sur un outil électrique *MILWAUKEE*. La date de fabrication du produit servira à établir la période de garantie si aucune preuve d'achat n'est fournie lorsqu'une demande de service sous garantie est présentée.

L'ACCEPTATION DES RECOURS EXCLUSIFS DE RÉPARATION ET DE REMPLACEMENT DÉCRITS AUX PRÉSENTES EST UNE CONDITION DU CONTRAT D'ACHAT DE TOUT PRODUIT *MILWAUKEE*. SI VOUS N'ACCEPTÉZ PAS CETTE CONDITION, VOUS NE DEVEZ PAS ACHETER LE PRODUIT. EN AUCUN CAS *MILWAUKEE* NE SAURAIT ÊTRE RESPONSABLE DE TOUT DOMMAGE ACCESSOIRE, SPÉCIAL OU INDIRECT, DE DOMMAGES-INTÉRÊTS PUNITIFS OU DE TOUTE DÉPENSE, D'HONORAIRES D'AVOCATS, DE FRAIS, DE PERTE OU DE DÉLAIS ACCESSOIRES À TOUT DOMMAGE, DÉFAILLANCE OU DÉFAUT DE TOUT PRODUIT, Y COMPRIS NOTAMMENT LES PERTES DE PROFIT. CERTAINS ÉTATS ET PROVINCES NE PERMETTANT PAS L'EXCLUSION OU LA LIMITATION DES DOMMAGES DIRECTS OU INDIRECTS, LES RESTRICTIONS CI-DESSUS PEUVENT NE PAS ÊTRE APPLICABLES. CETTE GARANTIE EST EXCLUSIVE ET REMPLACE TOUTE AUTRE GARANTIE EXPRESSE, QU'ELLE SOIT ORALE OU ÉCRITE. DANS LA MESURE PERMISE PAR LA LOI, *MILWAUKEE* RENONCE À TOUTE GARANTIE IMPLICITE, Y COMPRIS, SANS S'Y LIMITER, TOUTE GARANTIE IMPLICITE DE QUALITÉ MARCHANDE OU D'ADAPTATION À UNE UTILISATION OU À UNE FIN PARTICULIÈRE. DANS LA MESURE OÙ UNE TELLE STIPULATION D'EXONÉRATION N'EST PAS PERMISE PAR LA LOI, LA DURÉE DE CES GARANTIES IMPLICITES EST LIMITÉE À LA PÉRIODE APPLICABLE DE LA GARANTIE EXPRESSE, TEL QUE DÉCRIT PRÉCÉDEMMENT. CERTAINS ÉTATS ET PROVINCES NE PERMETTANT PAS DE LIMITATION DE DURÉE DES GARANTIES IMPLICITES, LES RESTRICTIONS CI-DESSUS PEUVENT NE PAS ÊTRE APPLICABLES. LA PRÉSENTE CONFÈRE À L'UTILISATEUR DES DROITS LÉGAUX PARTICULIERS: IL BÉNÉFICIE ÉGALEMENT D'AUTRES DROITS QUI VARIENT D'UN ÉTAT À L'AUTRE.

Cette garantie s'applique aux produits vendus aux États-Unis et au Canada uniquement.

Veuillez consulter la rubrique Centre SAV *MILWAUKEE*, dans la section Pièces & Service du site Web de *MILWAUKEE*, à l'adresse [www.milwaukeeool.com](http://www.milwaukeeool.com), ou composer le 1-800-SAWDUST (1-800-729-3878) afin de trouver le centre de réparations en usine *MILWAUKEE* le plus près.

## GARANTIE LIMITÉE – MEXIQUE, AMÉRIQUE CENTRALE ET CARAÏBES

TECHTRONIC INDUSTRIES\* garantit le produit pendant cinq ans à partir de la date d'achat d'origine. Le présent bon de garantie couvre tous les vices de matériau et de fabrication que peut afficher cet outil électrique. Pour assurer la validité de la présente garantie, veuillez présenter le bon de commande, estampillé du sceau du distributeur ou du magasin où le produit a été acheté, au centre de réparations agréé. Si le bon de commande n'a pas été estampillé, veuillez fournir la preuve d'achat d'origine au centre de réparations agréé. Pour un entretien, des pièces, des accessoires ou d'autres composants, composer sans frais le 1-800-832-1949 afin d'obtenir les coordonnées du centre de réparations agréé le plus près.

### Procédure pour assurer la validité de la garantie

Présenter le produit au centre de réparations agréé, accompagné du bon de commande estampillé du sceau du distributeur ou du magasin où le produit a été acheté. Toute pièce défectueuse ou tout composant défectueux sera remplacé sans frais. Milwaukee assume tous les frais de transport liés à ce processus de garantie.

### Exceptions

La garantie ne s'applique pas dans les situations suivantes :

- Si le produit a été utilisé pour une fin autre que celle indiquée dans le guide de l'utilisateur final ou le manuel d'instructions.
- Si les conditions d'utilisations ne sont pas habituelles.
- Si le produit a été modifié ou réparé par une personne non autorisée par TECHTRONIC INDUSTRIES.

Note : Si le cordon électrique est endommagé, il doit être remplacé par un centre de réparations agréé pour éviter les risques d'électrocution.

CENTRE DE RÉPARATIONS ET DE SERVICE  
Rafael Buelna No.1.  
Col. Tezozomoc Mexico, Azcapotzalco D.F.  
Ph. 01 800 832 1949

IMPORTÉ ET COMMERCIALISÉ PAR :  
TECHTRONIC INDUSTRIES MEXICO, S.A. DE C.V.  
Av. Santa Fe 481 piso 6, Col. Curz Manca.  
CP 05349, Cuajimalpa, D.F.

## ADVERTENCIAS DE SEGURIDAD GENERALES PARA LA HERRAMIENTA ELÉCTRICA

**ADVERTENCIA LEA TODAS LAS ADVERTENCIAS E INSTRUCCIONES DE SEGURIDAD.** Si no sigue todas las advertencias e instrucciones, se pueden provocar una descarga eléctrica, un incendio o lesiones graves.

**Guarde todas las advertencias e instrucciones para consultarlas en el futuro.** El término "herramienta eléctrica" en todas las advertencias incluidas más abajo se refiere a su herramienta operada por conexión (cable) a la red eléctrica o por medio de una batería (inalámbrica).

### SEGURIDAD EN EL ÁREA DE TRABAJO

- **Mantenga limpia y bien iluminada el área de trabajo.** Las áreas desordenadas u oscuras contribuyen a que se produzcan accidentes.
- **No utilice herramientas eléctricas en atmósferas explosivas, como en la presencia de líquidos, gases o polvo inflamables.** Las herramientas eléctricas crean chispas que pueden incendiar el polvo o las emanaciones.
- **Mantenga a los niños y otras personas alejadas mientras utiliza una herramienta eléctrica.** Las distracciones pueden hacerle perder el control.

### SEGURIDAD ELÉCTRICA

- **Los enchufes de las herramientas eléctricas deben ser del mismo tipo que el tomacorrientes.** Nunca realice ningún tipo de modificación en el enchufe. No use enchufes adaptadores con herramientas eléctricas con conexión a tierra. Se reducirá el riesgo de descarga eléctrica si no se modifican los enchufes y los tomacorrientes son del mismo tipo.
- **Evite el contacto corporal con superficies con conexión a tierra, como tuberías, radiadores, estufas y refrigeradores.** El riesgo de descarga eléctrica aumenta si su cuerpo está conectado a tierra.
- **No exponga la herramientas eléctricas a la lluvia o a condiciones de humedad.** El agua que entra en una herramienta eléctrica aumenta el riesgo de descarga eléctrica.
- **No abuse del cable.** Nunca use el cable para transportar la herramienta eléctrica, tirar de ella o desenchufarla. Mantenga el cable alejado del calor, los bordes afilados o las piezas en movimiento. Los cables dañados o enmarañados aumentan el riesgo de descarga eléctrica.
- **Cuando se utiliza una herramienta eléctrica en el exterior, use una extensión que sea apropiada para uso en el exterior.** El uso de un cable apropiado para el exterior reduce el riesgo de descarga eléctrica.
- **Si debe operar una herramienta eléctrica en un lugar húmedo, utilice un suministro protegido por un dispositivo de corriente residual (RCD).** Usar un RCD reduce el riesgo de que se produzcan descargas eléctricas.

### SEGURIDAD PERSONAL

- **Manténgase alerta, ponga cuidado a lo que está haciendo y use el sentido común cuando utilice una herramienta eléctrica.** No use una herramienta eléctrica cuando está cansado o bajo la influencia de drogas, alcohol o medicinas.

Despistarse un minuto cuando se utiliza una herramienta eléctrica puede tener como resultado lesiones personales graves.

• **Use un equipo de protección personal. Lleve siempre protección ocular.** Llevar un equipo de protección apropiado para la situación, como una máscara antipolvo, zapatos de seguridad antideslizantes, un casco o protección auditiva, reducirá las lesiones personales.

• **Evite el encendido accidental. Asegúrese de que el interruptor esté en la posición de apagado antes de conectarlo a la toma de alimentación o a la batería, al levantar o mover la herramienta.** Mover herramientas con el dedo en el interruptor o enchufarlas con el interruptor en la posición de encendido contribuye a que se produzcan accidentes.

• **Quite todas las llaves de ajuste antes de encender la herramienta.** Una llave que esté acoplada a una pieza giratoria de la herramienta puede provocar lesiones personales.

• **No se estire demasiado. Mantenga los pies bien asentados y el equilibrio en todo momento.** Esto permite tener mejor control de la herramienta eléctrica en situaciones inesperadas.

• **Vístase de manera apropiada. No lleve ropa suelta ni joyas.** Mantenga el cabello, la ropa y los guantes lejos de la piezas en movimiento. La ropa floja, las joyas o el cabello largo pueden quedar atrapados en las piezas en movimiento.

• **Si se proporcionan dispositivos para la conexión de sistemas de recolección y extracción de polvo, asegúrese de que estén conectados y se usen apropiadamente.** El uso de estos dispositivos puede reducir los peligros relacionados con el polvo.

### USO Y CUIDADO DE LAS HERRAMIENTAS ELÉCTRICAS

• **No fuerce la herramienta eléctrica. Use la herramienta eléctrica correcta para la aplicación.** La herramienta eléctrica correcta funcionará mejor y de manera más segura a la velocidad para la que se diseñó.

• **No use la herramienta eléctrica si el interruptor no la enciende ni la apaga.** Cualquier herramienta eléctrica que no se pueda controlar con el interruptor es peligrosa y se debe reparar.

• **Desconecte el enchufe de la toma de alimentación y/o la batería de la herramienta eléctrica antes de realizar cualquier ajuste, cambiar accesorios o almacenar las herramientas eléctricas.** Dichas medidas preventivas de seguridad reducen el riesgo de que la herramienta se prenda accidentalmente.

- **Almacene las herramientas eléctricas fuera del alcance de los niños y no permita que personas no familiarizadas con ellas o estas instrucciones las utilicen.** Las herramientas eléctricas son peligrosas en las manos de usuarios no capacitados.
- **Mantenimiento de las herramientas eléctricas.** Revise que no haya piezas móviles que estén desalineadas o que se atasquen, piezas rotas ni ninguna otra condición que pueda afectar el funcionamiento de la herramienta eléctrica. Si se encuentran daños, haga que le reparen la herramienta antes de usarla. Las herramientas mal mantenidas son la causa de muchos accidentes.
- **Mantenga las herramientas de corte limpias y afiladas.** Es menos probable que se atasquen las herramientas de corte con filos afilados que se mantienen de manera apropiada y también son más fáciles de controlar.
- **Use la herramienta eléctrica, los accesorios, las brocas, etc. siguiendo estas instrucciones, teniendo en cuenta las condiciones de trabajo y la tarea que se va a realizar.** El uso de la herramienta eléctrica para operaciones diferentes de aquellas para las que se diseñó podría originar una situación peligrosa.

### USO Y CUIDADO DE LAS HERRAMIENTAS CON BATERÍA

- **Recárguela solamente con el cargador especificado por el fabricante.** Un cargador que sea apropiado para un tipo de batería puede crear riesgo de incendio cuando se use con otra batería.
- **Use las herramientas eléctricas solamente con baterías específicamente diseñadas.** El uso de cualquier otro tipo de batería puede crear riesgo de lesiones o incendio.
- **Cuando no se use la batería manténgala alejada de otros objetos de metal como clips para papel, monedas, llaves, clavos, tornillos u otros objetos de metal pequeños que puedan realizar una conexión entre los bornes.** Realizar un cortacircuito en los terminales de la batería puede provocar quemaduras o un incendio.
- **Bajo condiciones abusivas, puede salir líquido expulsado de la batería; evitar el contacto.** Si se produce un contacto accidental, lavar con agua. Si el líquido entra en contacto con los ojos buscar ayuda médica adicional. El líquido que sale despedido de la batería puede causar irritaciones o quemaduras.

### MANTENIMIENTO

- **Haga que un técnico calificado realice el mantenimiento de la herramienta eléctrica utilizando solamente piezas de repuesto idénticas.** Esto asegurará que se mantiene la seguridad de la herramienta eléctrica.

### REGLAS ESPECIFICAS DE SEGURIDAD

- **Keep hands out of the piston and rod area of the caulk gun.** Fingers can be pinched between the tube holder and the piston.

- **Mantenga las manos lejos del área del pistón y del vástago de la pistola de calafatear.** Los dedos pueden quedar atrapados entre el portatubo y el pistón.
- **ADVERTENCIA** Algunas partículas de polvo resultantes del lijado mecánico, aserrado, esmerilado, taladrado y otras actividades relacionadas a la construcción, contienen sustancias químicas que se saben ocasionan cáncer, defectos congénitos u otros daños al aparato reproductivo. A continuación se citan algunos ejemplos de tales sustancias químicas:
  - plomo proveniente de pinturas con base de plomo
  - sílice cristalino proveniente de ladrillos, cemento y otros productos de albañilería y
  - arsénico y cromo provenientes de madera químicamente tratada.
 El riesgo que usted sufre debido a la exposición varía dependiendo de la frecuencia con la que usted realiza estas tareas. Para reducir la exposición a estas sustancias químicas: trabaje en un área bien ventilada, y utilice equipo de seguridad aprobado como, por ejemplo, máscaras contra el polvo que hayan sido específicamente diseñadas para filtrar partículas microscópicas.

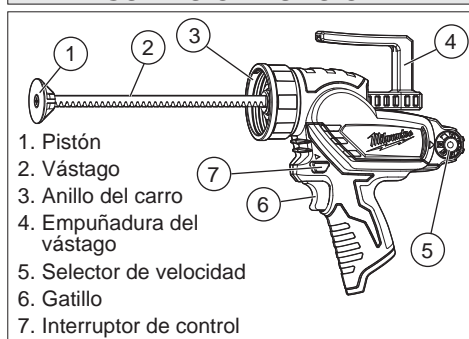
### SIMBOLOGÍA

	Volts
	Corriente directa
	Underwriters Laboratories, Inc., Estados Unidos y Canadá

### ESPECIFICACIONES

Cat. No.	Volts cd
2441 Serie	12

### DESCRIPCION FUNCIONAL



### ENSAMBLAJE

**ADVERTENCIA** Recargue la batería sólo con el cargador especificado para ella. Para instrucciones específicas sobre cómo cargar, lea el manual del operador suministrado con su cargador y la batería.

**ADVERTENCIA** Para reducir el riesgo de lesiones, trabe siempre el gatillo o quite la batería antes de cambiar o quitar accesorios. Use solamente accesorios específicamente recomendados para esta herramienta. El uso de otros puede resultar peligroso.

#### Como se inserta/quita la batería en la herramienta

Para retirar la batería, presione los botones de liberación y jale de la batería para sacarla de la herramienta. Para introducir la batería, deslícela en el cuerpo de la herramienta. Asegúrese de que quede bien firme en su posición.

#### Inserción del vástago

El pistón y el vástago deben coincidir con el carro que se está utilizando para evitar posibles daños en la herramienta o en el material. Use únicamente vástagos y carros diseñados específicamente para la Pistola de calafateo y aplicación de adhesivo M12. Otros vástagos y carros pueden ocasionar daños a la herramienta.

1. Presione el interruptor de control a la posición de liberación de la cremallera. Retire la batería.
2. Sujete la empuñadura del vástago. Los dientes del vástago deben estar orientados hacia abajo.
3. Introduzca el vástago por la parte trasera de la herramienta. Es posible que sea necesario mover el vástago ligeramente de lado a lado mientras se introduce a través de la herramienta. No ponga la herramienta en marcha para introducir el vástago a través de la herramienta, ya que se dañarán la herramienta y el vástago.
4. Coloque el pistón.

**NOTA:** Mantenga el pistón y el vástago limpios. Retraer o introducir un pistón cubierto con material puede dañar las piezas internas de la herramienta.

#### Instalación del carro o del cilindro

Use únicamente vástagos y carros diseñados específicamente para la Pistola de calafateo y aplicación de adhesivo M12. Otros vástagos y carros pueden ocasionar daños a la herramienta. Coloque el carro sobre el pistón y el vástago. Sostenga firmemente el anillo del carro mientras atornilla el carro en el anillo.

**ADVERTENCIA** Para reducir el riesgo de lesiones, mantenga las manos lejos del área del pistón de la herramienta. Los dedos pueden quedar atrapados entre el carro y el pistón.

**Instalación de la masilla o del tubo de adhesivo**  
Siempre verifique que los tubos no estén perforados ni dañados antes de la instalación. No use un tubo dañado ni congelado.

1. Presione el interruptor de control a la posición de liberación de la cremallera. Retire la batería.
2. Corte la boquilla del tubo al ángulo y tamaño recomendados por el fabricante para adecuarse a la tarea (a menos que la boquilla esté precortada). Una boquilla de diámetro más pequeño requiere más fuerza para introducir la masilla y reduce la vida útil de la batería.
3. Rompa el sello interno del tubo. Si el sello interno no está roto, el material de masilla puede salir del extremo trasero del tubo y dañar la herramienta. **NOTA:** Antes de usar un tubo medio vacío, retire todo el material endurecido con un clavo largo o con un trozo de alambre.
4. Jale de la empuñadura del vástago hacia atrás para permitir que el tubo calce dentro del carro.
5. Introduzca el tubo en el carro.
6. Presione la empuñadura del vástago hacia adelante hasta que el pistón esté colocado contra el tubo.
7. Presione el interruptor de control a la posición de avance.
8. Para quitar el tubo, hale la empuñadura del vástago hacia atrás, levante el tubo del carro.

#### Instalación del paquete tipo salchicha

Siempre verifique que los paquetes tipo salchicha no estén perforados ni dañados antes de la instalación. No use un paquete dañado ni congelado.

1. Presione el interruptor de control a la posición de liberación de la cremallera. Retire la batería.
2. Jale de la empuñadura del vástago hacia atrás para permitir que el paquete calce dentro del cilindro.
3. Introduzca el paquete en el cilindro.
4. Corte el extremo del paquete tipo salchicha según las recomendaciones del fabricante. **NOTA:** Antes de usar un paquete medio vacío, retire todo el material endurecido.
5. Introduzca la boquilla suministrada con el paquete tipo salchicha en la tapa de la boquilla y atornillela en el cilindro.
6. Corte la boquilla al ángulo y tamaño recomendados por el fabricante para adecuarse a la tarea (a menos que la boquilla esté precortada). Un diámetro de boquilla más pequeño requiere más fuerza para introducir la masilla y reduce la vida útil de la batería.
7. Presione la empuñadura del vástago hacia adelante hasta que el pistón esté colocado contra el paquete.
8. Presione el interruptor de control a la posición de avance.



## OPERACION

**ADVERTENCIA** Para reducir el riesgo de lesiones, extraiga siempre la batería antes de acoplar o desacoplar accesorios. Utilice únicamente accesorios específicamente recomendados para esta herramienta. El uso de accesorios no recomendados podría resultar peligroso.

**ADVERTENCIA** Para reducir el riesgo de lesiones, mantenga ambas manos alejadas de la següeta y de otras piezas móviles. Lleve siempre lentes de seguridad con protectores laterales.

### Indicador de carga

Para determinar la cantidad de carga que queda en la batería, pulse el gatillo. El indicador de carga se encenderá durante 2-3 segundos. Para indicar el final de la carga, una luz en el indicador de carga se encenderá durante 2-3 segundos.

### Función antigoteo y liberación del vástago

La pistola de calafatear tiene incorporada una función antigoteo automática que impide que la pistola gotee después de liberar el gatillo.

### Término de la carrera

Al vaciarse un tubo, el motor se invertirá automáticamente para liberar la presión, luego se apagará. Libere el gatillo y cambie el tubo.

### Sobrecarga

Cuando se produce una sobrecarga, la herramienta alcanza la máxima fuerza de impulsión y continúa manteniendo esta fuerza máxima hasta que el usuario libera el gatillo. Si el material no se dispensa, asegúrese de que:

- La punta de la boquilla esté cortada.
- El sello interno del tubo de masilla esté roto.
- Se haya eliminado el material endurecido de la boquilla.
- El tubo de masilla no esté dañado ni congelado.
- El vástago esté libre de masilla/materiales adhesivos.

### Arranque y apagado, y control de la velocidad

1. Jale del gatillo para dispensar el material.
2. Aumente o disminuya la presión en el gatillo para dispensar el material. Ajuste el selector de velocidad para seleccionar la velocidad máxima para el ancho apropiado de la perla y la velocidad de flujo del material ("1" para la más lenta, "6" para la más rápida). La presión del gatillo, la velocidad seleccionada, el tipo de material, la temperatura y el diámetro de la boquilla afectarán la velocidad del flujo. Cuando se use un tubo o un paquete con una boquilla de diámetro más pequeño, use una velocidad más lenta o el material saldrá a la fuerza alrededor de la base posterior del tubo.  
NOTA: Utilizar la pistola a velocidades altas puede dañar el tubo o el paquete dispensador para algunos materiales. Para obtener resultados óptimos, aumente gradualmente las configuraciones de velocidad.

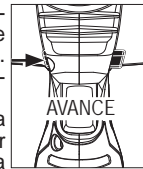
3. Libere el gatillo para dejar de dispensar material.  
NOTA: El pistón se detendrá automáticamente cuando haya alcanzado el extremo del tubo.

### Utilización del interruptor de control

El interruptor de control puede ponerse en dos posiciones: avance y liberación de cremallera.

Para la posición de **avance**, presione el interruptor de control desde el lado derecho de la herramienta. La herramienta funcionará normalmente.

Para **bloquear** el gatillo y **liberar** la cremallera, presione el interruptor de control del lado izquierdo de la herramienta. La cremallera puede moverse a la posición deseada. El gatillo no funcionará mientras el interruptor de control se encuentre en la posición de seguro. Siempre se le debe poner el seguro al gatillo o retirar la batería antes de dar mantenimiento a la unidad, cambiar accesorios, almacenar la herramienta y siempre que la herramienta no esté siendo usada.



## ACCESORIOS

**ADVERTENCIA** Para reducir el riesgo de lesiones, siempre extraiga la batería antes de cambiar o retirar accesorios. Utilice únicamente accesorios específicamente recomendados para esta herramienta. El uso de accesorios no recomendados podría resultar peligroso.

Para una lista completa de accesorios, refiérase a su catálogo *MILWAUKEE* Electric Tool o visite nuestro sitio en Internet: [www.milwaukeetool.com](http://www.milwaukeetool.com). Para obtener un catálogo, contacte su distribuidor local o uno de los centros de servicio.

### Juego de conversión de cartucho M12™ de 300 ml (10 oz.)

Cat. No. 48-08-0900

### Juego de conversión de aluminio tipo salchicha M12™ de 600 ml (20 oz.)

Cat. No. 48-08-0905

### Juego de conversión M12™ de 850 ml (1 qt)

Cat. No. 48-08-0910

### Únicamente barril de aluminio de 600 ml (20 oz.)

Cat. No. 48-08-1091

### Únicamente barril transparente de 600 ml (20 oz.)

Cat. No. 48-08-1096

### Boquilla de pistola de calafateo - Negra

Cat. No. 31-12-0700

## MANTENIMIENTO

**ADVERTENCIA** Para reducir el riesgo de una lesión, desconecte siempre la herramienta antes de darle cualquier mantenimiento. Nunca desarme la herramienta ni trate de hacer modificaciones en el sistema eléctrico de la misma. Acuda siempre a un Centro de Servicio *MILWAUKEE* para TODAS las reparaciones.

### Mantenimiento de la herramienta

Adopte un programa regular de mantenimiento y mantenga sus baterías y cargador en buenas condiciones. Después de 6 meses a un año, dependiendo del uso dado, envíe su herramienta, batería y cargador, al Centro de Servicio *MILWAUKEE* más cercano para que le hagan:

- Lubricación
- Inspección mecánica y limpieza (engranes, flechas, baleros, carcasa, etc.)
- Inspección eléctrica (batería, cargador, motor)
- Probarla para asegurar una adecuada operación mecánica y eléctrica

Si la herramienta no arranca u opera a toda su potencia con una batería completamente cargada, limpie, con una goma o borrador, los contactos de la batería y de la herramienta. Si aun así la herramienta no trabaja correctamente, regrésela, con el cargador y la batería, a un centro de servicio *MILWAUKEE* para que sea reparada.

**ADVERTENCIA** Para reducir el riesgo de una explosión, no queme nunca una batería, aun si está dañada, "muerta" o completamente descargada.

### Limpieza

Limpie el polvo y suciedad de las ventilas del cargador y la herramienta. Mantenga los mangos y empuñaduras limpios, secos y libres de aceite o grasa. Use solo jabón neutro y un trapo húmedo para limpiar la herramienta, batería y el cargador, ya que algunos substancias y solventes limpiadores son dañinos a los plásticos y partes aislantes. Algunos de estos incluyen: gasolina, turpentina, thinner, lacas, thinner para pinturas, solventes para limpieza con cloro, amoníaco y detergentes caseros que tengan amonía. Nunca usa solventes inflamables o combustibles cerca de una herramienta.

### Reparaciones

Si su herramienta, batería o cargador están dañados, envíela al centro de servicio más cercano.

## GARANTÍA LIMITADA - E.U.A. Y CANADÁ

Se garantiza al comprador original que ninguna de las herramientas eléctricas *MILWAUKEE* (incluido el producto inalámbrico, la herramienta y las baterías; consulte las declaraciones distintas y por separado en GARANTÍA LIMITADA DEL PAQUETE DE BATERÍAS INALÁMBRICAS y de las luces de trabajo y del cargador de baterías\*) presentan defectos en material ni en mano de obra. En un plazo de cinco (5) años\* a partir de la fecha de compra y sujeto a ciertas excepciones, *MILWAUKEE* reparará o reemplazará cualquier parte de una herramienta eléctrica que, luego de ser examinada, *MILWAUKEE* compruebe que presenta defectos en material o mano de obra, a menos que se indique lo contrario. Se requiere la devolución de la herramienta eléctrica a un centro de mantenimiento de la fábrica *MILWAUKEE* o a un centro de reparaciones autorizado por *MILWAUKEE*, con gastos de envío prepagados y asegurados. La devolución del producto debe estar acompañada por un comprobante de compra. Esta garantía no se aplica a los daños que *MILWAUKEE* establece que fueron ocasionados por reparaciones o intentos de reparación por parte de personal no autorizado por *MILWAUKEE*, uso indebido, alteraciones, abuso, desgaste y deterioro normal, falta de mantenimiento o accidentes.

\*El período de garantía de las radios para obras, del puerto de alimentación M12™ y de las carretillas de trabajo industrial Trade Titan™ es de un (1) año a partir de la fecha de compra. El período de garantía de la lámpara de trabajo con diodo luminiscente y del foco mejorado con diodo luminiscente es una garantía VITALICIA limitada para el comprador original únicamente. Si durante el uso normal el foco de diodo luminiscente no funciona, la lámpara de trabajo o el foco mejorado se reemplazará sin carga.

\*Esta garantía no cubre las clavadoras aéreas, las engrapadoras, el rociador de pintura inalámbrico, el paquete de baterías inalámbrico, los generadores eléctricos portátiles que funcionan con gasolina, herramientas manuales, elevadores (eléctricos, con palanca y con cadenas manuales), camisas de calefacción M12™, productos reacondicionados y productos de prueba y medición. Se encuentran disponibles garantías distintas para estos productos.

No se necesita registro de garantía para obtener la garantía correspondiente de un producto eléctrico *MILWAUKEE*. La fecha de fabricación del producto se utilizará para determinar el período de garantía si no se presenta un comprobante de compra en el momento en que se solicita el servicio de garantía.

LA ACEPTACIÓN DE LOS DERECHOS A REPARACIÓN Y REEMPLAZO EXCLUSIVAMENTE DESCRITOS EN EL PRESENTE DOCUMENTO CONSTITUYE UNA CONDICIÓN DEL CONTRATO POR LA COMPRA DE CADA PRODUCTO *MILWAUKEE*. SI NO ACEPTA ESTA CONDICIÓN, NO DEBE COMPRAR EL PRODUCTO. *MILWAUKEE* NO SERÁ EN NINGÚN CASO RESPONSABLE DE DAÑOS INCIDENTALES, ESPECIALES, CONSECUENTES O PUNITIVOS, NI DE COSTOS, HONORARIOS DE ABOGADOS, GASTOS, PÉRDIDAS O DEMORAS SUPUESTAMENTE CAUSADOS COMO CONSECUENCIA DE CUALQUIER DAÑO, FALLA O DEFECTO EN CUALQUIER PRODUCTO, INCLUIDOS, A MODO DE EJEMPLO, RECLAMOS POR PÉRDIDA DE GANANCIAS. ALGUNOS ESTADOS NO PERMITEN LA EXCLUSIÓN O LA LIMITACIÓN DE DAÑOS INCIDENTALES O CONSECUENTES. POR LO TANTO, LAS LIMITACIONES Y EXCLUSIONES ANTERIORES PUEDEN NO APLICARSE PARA USTED. ESTA GARANTÍA ES EXCLUSIVA Y SUSTITUYE A TODAS LAS OTRAS GARANTÍAS EXPRESAS, ESCRITAS U ORALES. SEGÚN LO PERMITA LA LEY, *MILWAUKEE* SE EXIME DE TODA GARANTÍA IMPLÍCITA, INCLUIDOS, A MODO DE EJEMPLO, TODA GARANTÍA IMPLÍCITA DE COMERCIABILIDAD O IDONEIDAD PARA UN USO O PROPÓSITO EN PARTICULAR: EN LA MEDIDA EN QUE DICHA RENUNCIA NO ESTÉ PERMITIDA POR LA LEY, DICHAS GARANTÍAS IMPLÍCITAS ESTÁN LIMITADAS A LA DURACIÓN DE LA GARANTÍA EXPRESA APLICABLE SEGÚN SE DESCRIBE ANTERIORMENTE. ALGUNOS ESTADOS NO PERMITEN LIMITACIONES EN LA DURACIÓN DE UNA GARANTÍA IMPLÍCITA. POR LO TANTO, LA LIMITACIÓN ANTERIOR PUEDE NO APLICARSE PARA USTED. ESTA GARANTÍA LE OTORGA DERECHOS LEGALES ESPECÍFICOS Y TAMBIÉN PUEDE TENER OTROS DERECHOS QUE VARIAN DE ESTADO EN ESTADO.

Esta garantía se aplica a los productos vendidos en los EE. UU. y Canadá.

Consulte 'Service Center Search' (Búsqueda de centro de servicio) en la sección Parts & Services (Piezas y servicios) del sitio web *MILWAUKEE*, [www.milwaukeekeetool.com](http://www.milwaukeekeetool.com) o llame al 1.800.SAWDUST (1.800.729.3878) para encontrar su Centro de Servicio de la fábrica de *MILWAUKEE* más cercano.

## PÓLIZA DE GARANTÍA - VALIDA SOLO PARA MÉXICO, AMÉRICA CENTRAL Y EL CARIBE

TECHTRONIC INDUSTRIES., garantiza por 5 años este producto a partir de la fecha original de compra.

Esta garantía cubre cualquier defecto que presenten las piezas, componentes y la mano de obra contenidas en este producto. Para América Central y el Caribe se debe confirmar en el Centro de Servicio Autorizado el plazo de la garantía.

Para hacer efectiva la Garantía deberá presentar al Centro de Servicio Autorizado la Póliza de Garantía sellada por el establecimiento en donde adquirió el producto. Si no la tienen, podrá presentar el comprobante de compra original.

Usted puede llamar sin costo al teléfono 01 800 832 1949 o por correo electrónico a la dirección "servicio@ttigroupna.com", para ubicar el Centro de Servicio Autorizado más cercano a su domicilio, en el cual además podrá adquirir partes, componentes, consumibles y accesorios, que usted necesite.

### Procedimiento para hacer válida la garantía

Acuda al Centro de Servicio con el producto y la póliza de garantía sellada por el establecimiento donde realizó la compra. Ahí se reemplazará cualquier pieza o componente defectuoso sin cargo alguno para el usuario final. La empresa se hace responsable de los gastos de transportación razonablemente erogados que se deriven del cumplimiento de la presente garantía.

### Excepciones

La garantía perderá validez en los siguientes casos:

- Cuando el producto se hubiese utilizado en condiciones distintas a las normales.
- Cuando el producto no hubiese sido operado de acuerdo con el instructivo de uso que le acompaña.
- Cuando el producto hubiese sido alterado o reparado por personas no autorizadas por TECHTRONIC INDUSTRIES.

Nota: Si el cordón de alimentación es dañado, este debe ser reemplazado por el fabricante o por un Centro de Servicio Autorizado para evitar riesgo.

Modelo: \_\_\_\_\_

Fecha de Compra: \_\_\_\_\_

Sello del Distribuidor: \_\_\_\_\_

CENTRO DE SERVICIO Y ATENCIÓN A CLIENTES  
Rafael Buelna No.1. Col. Tezozomoc Mexico, D.F.  
Tel. 01 800 832 1949

IMPORTADO Y COMERCIALIZADO POR:  
TECHTRONIC INDUSTRIES MEXICO, S.A. DE C.V.  
Av. Santa Fe 481 piso 6, Col. Curz Manca.  
CP 05349, Cuajimalpa, D.F.

## UNITED STATES MILWAUKEE Service

MILWAUKEE prides itself in producing a premium quality product that is NOTHING BUT HEAVY DUTY®. Your satisfaction with our products is very important to us! If you encounter any problems with the operation of this tool, or you would like to locate the factory Service/Sales Support Branch or authorized service station nearest you, please call...

Additionally, we have a nationwide network of authorized Distributors ready to assist you with your tool and accessory needs. Check your "Yellow Pages" phone directory under "Tools-Electric" for the names & addresses of those nearest you or see the 'Where To Buy' section of our website.

### 1-800-SAWDUST

(1.800.729.3878)

Monday-Friday  
7:00 AM - 6:30 PM  
Central Time

or visit our website at

[www.milwaukeetool.com](http://www.milwaukeetool.com)

For service information, use the 'Service Center Search' icon found in the 'Parts & Service' section.

#### Contact our Corporate After Sales Service Technical Support about ...

- Technical Questions
- Service/Repair Questions
- Warranty

call: 1-800-SAWDUST

fax: 1.800.638.9582

email: [metproductsupport@milwaukeetool.com](mailto:metproductsupport@milwaukeetool.com)

#### Register your tool online at [www.milwaukeetool.com](http://www.milwaukeetool.com) and...

- receive important notifications regarding your purchase
- ensure that your tool is protected under the warranty
- become a HEAVY DUTY club member

## CANADA - Service MILWAUKEE

MILWAUKEE prides itself in producing a premium quality product that is NOTHING BUT HEAVY DUTY®. Your satisfaction with our products is very important to us!

If you encounter any problems with the operation of this tool, or you would like to locate the factory Service/Sales Support Branch or authorized service station nearest you, please call...

### 1.800.268.4015

Monday – Friday 7:00 – 4:30 CST  
fax: 866.285.9049

#### Milwaukee Electric Tool (Canada) Ltd

140 Fernstaff Court, Unit 4      18129 111 Avenue NW  
Vaughan, ON L4K 3L8      Edmonton, AB T5S 2P2

Additionally, we have a nationwide network of authorized Distributors ready to assist you with your tool and accessory needs. Call 1.800.268.4015 to find the names and addresses of the closest retailers or consult "Where to buy" on our Web site [www.milwaukeetool.com](http://www.milwaukeetool.com)

MILWAUKEE est fier de proposer un produit de première qualité NOTHING BUT HEAVY DUTY®. Votre satisfaction est ce qui compte le plus!

En cas de problèmes d'utilisation de l'outil ou pour localiser le centre de service/ventes ou le centre d'entretien le plus proche, appelez le...

### 1.800.268.4015

Lundi – Vendredi 7:00 – 4:30 CST  
fax: 866.285.9049

#### Milwaukee Electric Tool (Canada) Ltd

140 Fernstaff Court, Unit 4      18129 111 Avenue NW  
Vaughan, ON L4K 3L8      Edmonton, AB T5S 2P2

Notre réseau national de distributeurs agréés se tient à votre disposition pour fournir l'aide technique, l'outillage et les accessoires nécessaires. Composez le 1.800.268.4015 pour obtenir les noms et adresses des revendeurs les plus proches ou bien consultez la section «Où acheter» sur notre site web à l'adresse [www.milwaukeetool.com](http://www.milwaukeetool.com)

## MEXICO - Soporte de Servicio MILWAUKEE

### CENTRO DE ATENCIÓN A CLIENTES

Rafael Buelna No. 1, Col Tezozomoc,  
Delegación Azcapotzalco, México, D.F.  
Telefono sin costo 01 800 832 1949  
e-mail: [servicio@ttigroupna.com](mailto:servicio@ttigroupna.com)

Adicionalmente, tenemos una red nacional de distribuidores autorizados listos para ayudarle con su herramienta y sus accesorios. Por favor, llame al 01 800 832 1949 para obtener los nombres y direcciones de los más cercanos a usted, o consulte la sección 'Where to buy' (Dónde comprar) de nuestro sitio web en

[www.ttigroupmexico.com](http://www.ttigroupmexico.com)

### Registre su herramienta en línea, en [www.ttigroupmexico.com](http://www.ttigroupmexico.com) y...

- reciba importantes avisos sobre su compra
- asegúrese de que su herramienta esté protegida por la garantía
- conviértase en integrante de Heavy Duty

## MILWAUKEE ELECTRIC TOOL CORPORATION

13135 West Lisbon Road • Brookfield, Wisconsin, U.S.A. 53005

58-14-2441d2

06/12

Printed in China  
961075189-02( )

## Free Manuals Download Website

<http://myh66.com>

<http://usermanuals.us>

<http://www.somanuals.com>

<http://www.4manuals.cc>

<http://www.manual-lib.com>

<http://www.404manual.com>

<http://www.luxmanual.com>

<http://aubethermostatmanual.com>

Golf course search by state

<http://golfingnear.com>

Email search by domain

<http://emailbydomain.com>

Auto manuals search

<http://auto.somanuals.com>

TV manuals search

<http://tv.somanuals.com>