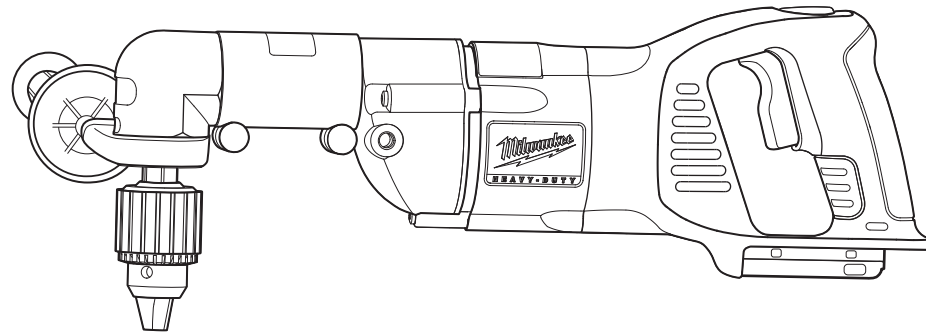




OPERATOR'S MANUAL
MANUEL de L'UTILISATEUR
MANUAL del OPERADOR

Cat. No.
No de cat.
0721-20



28 VOLT 1/2" RIGHT ANGLE DRILL
13 mm (1/2") POIGNÉE COUDEE ANGLE DROIT 28 V
TALADROS EN ANGULOS RECTOS, DE 13 mm (1/2") CON
EMPUNADURA EN "D" DE 28 V

TO REDUCE THE RISK OF INJURY, USER MUST READ AND UNDERSTAND OPERATOR'S MANUAL.

AFIN DE RÉDUIRE LE RISQUE DE BLESSURES, L'UTILISATEUR DOIT LIRE ET BIEN COMPRENDRE LE MANUEL DE L'UTILISATEUR.

PARA REDUCIR EL RIESGO DE LESIONES, EL USUARIO DEBE LEER Y ENTENDER EL MANUAL DEL OPERADOR.

GENERAL POWER TOOL SAFETY WARNINGS



WARNING READ ALL SAFETY WARNINGS AND INSTRUCTIONS.

Failure to follow the warnings and instructions may result in electric shock, fire and/or serious injury. **Save all warnings and instructions for future reference**
The term "power tool" in the warnings refers to your mains-operated (corded) power tool or battery-operated (cordless) power tool.

WORK AREA SAFETY

- **Keep work area clean and well lit.** Cluttered or dark areas invite accidents.
- **Do not operate power tools in explosive atmospheres, such as in the presence of flammable liquids, gases or dust.** Power tools create sparks which may ignite the dust or fumes.
- **Keep children and bystanders away while operating a power tool.** Distractions can cause you to lose control.

ELECTRICAL SAFETY

- **Power tool plugs must match the outlet. Never modify the plug in any way. Do not use any adapter plugs with earthed (grounded) power tools.** Unmodified plugs and matching outlets will reduce risk of electric shock.
- **Avoid body contact with earthed or grounded surfaces such as pipes, radiators, ranges and refrigerators.** There is an increased risk of electric shock if your body is earthed or grounded.
- **Do not expose power tools to rain or wet conditions.** Water entering a power tool will increase the risk of electric shock.
- **Do not abuse the cord. Never use the cord for carrying, pulling or unplugging the power tool. Keep cord away from heat, oil, sharp edges or moving parts.** Damaged or entangled cords increase the risk of electric shock.
- **When operating a power tool outdoors, use an extension cord suitable for outdoor use.** Use of a cord suitable for outdoor use reduces the risk of electric shock.
- **If operating a power tool in a damp location is unavoidable, use a residual current device (RCD) protected supply.** Use of an RCD reduces the risk of electric shock.

PERSONAL SAFETY

- **Stay alert, watch what you are doing and use common sense when operating a power tool. Do not use a power tool while you are tired or under the influence of drugs, alcohol or medication.** A moment of inattention while operating power tools may result in serious personal injury.
- **Use personal protective equipment. Always wear eye protection.** Protective equipment such as dust mask, non-skid safety shoes, hard hat, or hearing protection used for appropriate conditions will reduce personal injuries.
- **Prevent unintentional starting. Ensure the switch is in the off-position before connecting to power source and/or battery pack, picking up or carrying the tool.** Carrying power tools with your finger on the switch or energising power tools that have the switch on invites accidents.
- **Remove any adjusting key or wrench before turning the power tool on.** A wrench or a key left

attached to a rotating part of the power tool may result in personal injury.

- **Do not overreach. Keep proper footing and balance at all times.** This enables better control of the power tool in unexpected situations.
- **Dress properly. Do not wear loose clothing or jewellery. Keep your hair, clothing and gloves away from moving parts.** Loose clothes, jewellery or long hair can be caught in moving parts.
- **If devices are provided for the connection of dust extraction and collection facilities, ensure these are connected and properly used.** Use of dust collection can reduce dust-related hazards.

POWER TOOL USE AND CARE

- **Do not force the power tool. Use the correct power tool for your application.** The correct power tool will do the job better and safer at the rate for which it was designed.
- **Do not use the power tool if the switch does not turn it on and off.** Any power tool that cannot be controlled with the switch is dangerous and must be repaired.
- **Disconnect the plug from the power source and/or the battery pack from the power tool before making any adjustments, changing accessories, or storing power tools.** Such preventive safety measures reduce the risk of starting the power tool accidentally.
- **Store idle power tools out of the reach of children and do not allow persons unfamiliar with the power tool or these instructions to operate the power tool.** Power tools are dangerous in the hands of untrained users.
- **Maintain power tools. Check for misalignment or binding of moving parts, breakage of parts and any other condition that may affect the power tool's operation. If damaged, have the power tool repaired before use.** Many accidents are caused by poorly maintained power tools.
- **Keep cutting tools sharp and clean.** Properly maintained cutting tools with sharp cutting edges are less likely to bind and are easier to control.
- **Use the power tool, accessories and tool bits etc., in accordance with these instructions, taking into account the working conditions and the work to be performed.** Use of the power tool for operations different from those intended could result in a hazardous situation.

BATTERY TOOL USE AND CARE

- **Recharge only with the charger specified by the manufacturer.** A charger that is suitable for one type of battery pack may create a risk of fire when used with another battery pack.
- **Use power tools only with specifically designated battery packs.** Use of any other battery packs may create a risk of injury and fire.

- When battery pack is not in use, keep it away from other metal objects like paper clips, coins, keys, nails, screws, or other small metal objects that can make a connection from one terminal to another. Shorting the battery terminals together may cause burns or a fire.
- Under abusive conditions, liquid may be ejected from the battery, avoid contact. If contact accidentally occurs, flush with water. If liquid contacts eyes, additionally seek medical help. Liquid ejected from the battery may cause irritation or burns.

SERVICE

- Have your power tool serviced by a qualified repair person using only identical replacement parts. This will ensure that the safety of the power tool is maintained.

SPECIFIC SAFETY RULES

- Wear ear protectors with impact drills. Exposure to noise can cause hearing loss.
- Use auxiliary handles supplied with the tool. Loss of control can cause personal injury.
- Hold power tools by insulated gripping surfaces when performing an operation where the cutting tool may contact hidden wiring or its own cord. Contact with a live wire will make exposed metal parts of the tool live and shock the operator.

SPECIFICATIONS

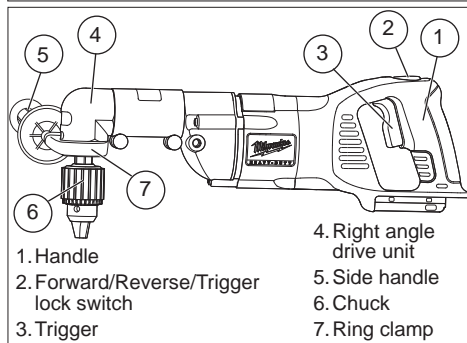
Cat. No.	Volts DC	No load RPM	Capacities in Wood				
			Flat Boring Bits	Hole Saw	Auger Bit	Ship Auger Bit	Selfeed Bit
0721-20	28	Hi 0 - 1000 Lo 0 - 400	1-1/2" 1-1/2"	3-1/2" 4-1/2"	3/4" 1-1/2"	1" 1-1/2"	1" 2-9/16"

Use only MILWAUKEE M28™ or V28® battery packs.

SYMBOLOLOGY

	Direct Current
	Underwriters Laboratories, Inc. United States and Canada
n_0 XXXXmin. ⁻¹	No Load Revolutions per Minute (RPM)

FUNCTIONAL DESCRIPTION



1. Handle
2. Forward/Reverse/Trigger lock switch
3. Trigger
4. Right angle drive unit
5. Side handle
6. Chuck
7. Ring clamp

- Keep hands away from all cutting edges and moving parts.
- Maintain labels and nameplates. These carry important information. If unreadable or missing, contact a MILWAUKEE service facility for a free replacement.
- WARNING: Some dust created by power sanding, sawing, grinding, drilling, and other construction activities contains chemicals known to cause cancer, birth defects or other reproductive harm. Some examples of these chemicals are:
 - lead from lead-based paint
 - crystalline silica from bricks and cement and other masonry products, and
 - arsenic and chromium from chemically-treated lumber.
 Your risk from these exposures varies, depending on how often you do this type of work. To reduce your exposure to these chemicals: work in a well ventilated area, and work with approved safety equipment, such as those dust masks that are specially designed to filter out microscopic particles.

ASSEMBLY

WARNING Recharge only with the charger specified for the battery. For specific charging instructions, read the operator's manual supplied with your charger and battery.

WARNING Always remove battery pack before changing or removing accessories. Only use accessories specifically recommended for this tool. Others may be hazardous.

Removing Battery Pack from Tool

Push in the release buttons and pull the battery pack away from the tool.

Inserting Battery Pack into Tool

To insert the battery pack onto the tool, slide the pack onto the body of the tool. Make sure it latches securely into place.

WARNING To reduce the risk of injury, always use a side handle when using this tool. This tool operates with high torque. Always brace or hold the tool securely.

WARNING When using the D-handle drill without the right angle drive unit, do not clamp the ring clamp with attached side handle to the front of the gear case; use the side handle instead. Do not use the extension when using the ring clamp.

Ring Clamp, Extension, and Side Handle for Right Angle Drive (RAD)

For D-handle drill with RAD:

A ring clamp, extension, and side handle are supplied with the Right Angle Drive Unit. When using a right angle drive unit, attach the side handle to the ring clamp. Do not use the extension when using the ring clamp. The ring clamp with attached side handle clamps onto the right angle drive unit and can swivel 360° and locked tight in any position.

For D-handle drill without RAD:

When using the D-handle drill without the right angle drive unit, remove the ring clamp with attached side handle from the RAD, then remove the side handle from the ring clamp. Attach the side handle to the extension. The side handle can be installed on either side of the tool for right or left handed use. To install the extension with attached side handle, thread it into the socket on the desired side of the tool (for right or left-handed use) and tighten securely.

NOTE: If you have an extra ring clamp with attached side handle and extension with attached side handle, do not use the extension with attached side handle when using the right angle drive unit. Remove it from the tool.

Attaching Right Angle Drive to a Drill

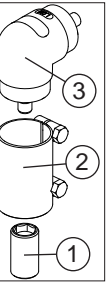
1. Remove the chuck from the drill following instructions (see "Removing the Chuck from the Drill"). Slip the double hex coupling (1) over the hex on the drill spindle.

Loosen the clamping sleeve (2) and slip the sleeve onto the drill collar.

2. Slide the right angle drill head (3) into the other side of the sleeve and turn the drive head slightly in either direction so the hexagonal hole in the coupling engages the hexagonal portion of the spindle.

NOTE: Attaching the drill chuck to the side designated "low" reduces the speed by 1/3, or 33%. Attaching the drill chuck to the opposite side of the right angle drill head increases the speed by 1/2, or 50%.

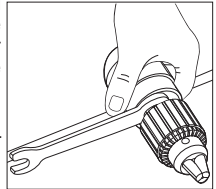
3. When assembled, turn the right angle head to the desired position and tighten the clamping screws to secure the unit. Thread the chuck onto the right angle drive spindle and install the chuck screw.



Removing the Chuck from the RAD

The chuck can be removed from the right angle drive unit in the same manner it is removed from the drill; however, ALWAYS REMOVE RIGHT ANGLE DRIVE FROM THE DRILL BEFORE ATTEMPTING TO LOOSEN THE CHUCK.

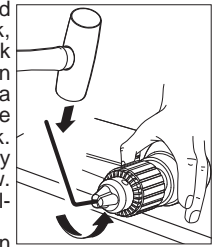
This will prevent damaging the drill's gearing. Use the open end wrench provided to hold the right angle drive spindle before attempting to loosen the chuck.



Removing the Chuck from the Drill

1. To remove the left-hand screw inside the chuck, remove the battery pack from the tool and open the chuck jaws. Insert a T-handle hex key into the screw inside the chuck. Turn the T-handle hex key and remove the screw. Save the screw for installing your new chuck.

2. To remove chuck: Tighten a large hex key into the chuck. Place the chuck on a workbench as shown. Strike the hex key with a soft-headed mallet to loosen the chuck. Remove the chuck by hand.



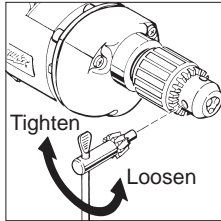
OPERATION

WARNING Always remove battery pack before changing or removing accessories. Only use accessories specifically recommended for this tool. Others may be hazardous.

WARNING To reduce the risk of injury, keep hands away from the bit and all moving parts. Always wear safety goggles or glasses with side shields. Always remove the chuck key from the chuck after each use.

Installing Bits into Keyed Chuck

1. Open the chuck jaws wide enough to insert the bit. Be sure the bit shank and chuck jaws are clean. Dirt particles may prevent the bit from lining up properly.
2. When using drill bits, insert the bit into the chuck. Center the bit in the chuck jaws and lift it about 1/16" off of the bottom. Tighten the chuck jaws by hand to align the bit.



3. Place the chuck key in each of the three holes in the chuck, turning it clockwise as shown. Tighten securely.
4. To remove the bit, insert the chuck key into one of the holes in the chuck and turn it counterclockwise.

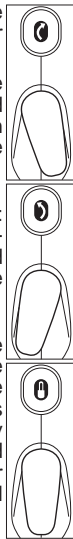
Forward/Reverse/Trigger Lock Switch

To set the direction of bit rotation or lock the trigger, move the forward/reverse/trigger lock switch to the following positions:

For **forward** rotation (clockwise): Move the switch to the right. "F" will be displayed above the switch. To vary the speed in forward rotation, increase or decrease pressure on the trigger.

For **reverse** rotation (counter-clockwise): Move the switch to the left. "R" will be displayed above the switch. To vary the speed in reverse rotation, increase or decrease pressure on the trigger.

To **lock** the trigger: Move the switch to the center. "L" will be displayed above the switch. The trigger will not work while the switch is in the locked position. Always lock the trigger and remove the battery pack before performing maintenance and changing accessories. Lock the trigger when storing the tool and when the tool is not in use.



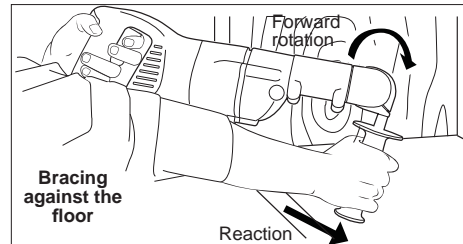
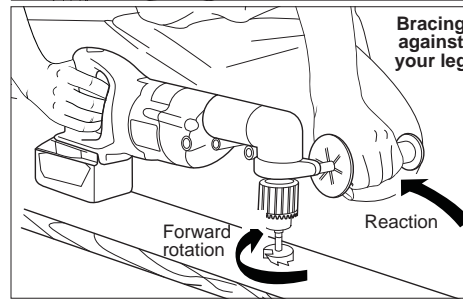
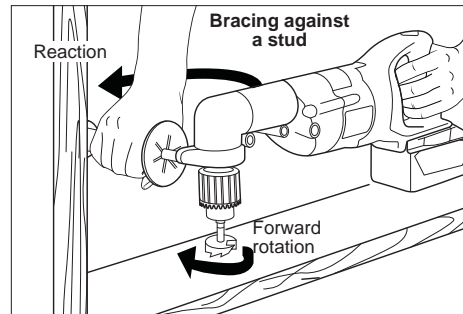
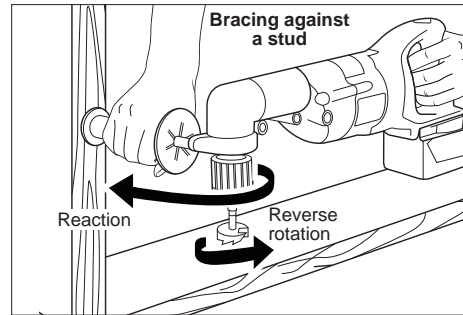
Starting, Stopping and Controlling Speed

1. To **start** the tool, grasp the handle firmly and pull the trigger.
2. To **vary** the speed, increase or decrease the pressure on the trigger. The further the trigger is pulled, the greater the speed.
3. To **stop** the tool, release the trigger. Make sure the tool comes to a complete stop before laying the tool down.

Electric Brake

The electric brake engages when the trigger is released, causing the bit to stop and allowing you to proceed with your work. Generally, the bit stops within two seconds. However, there may be a delay between the time you release the trigger and when the brake engages. Occasionally the brake may miss completely. If the brake misses frequently, the tool needs servicing by an authorized MILWAUKEE service facility.

WARNING To reduce the risk of personal injury, hold the tool securely. Brace tools with side handles as shown. If the bit binds, the tool will be forced in the opposite direction. Bits may bind if they are misaligned or when breaking through a hole. Wood boring bits can also bind if they run into nails or knots.



APPLICATIONS

Selecting Bits

When selecting a bit, use the right type for your job. For best performance, always use sharp bits.

Drilling

1. Before drilling, be sure the workpiece is clamped securely. Use backing material to prevent damage to the workpiece during breakthrough.
2. When starting a hole, place the drill bit on the work surface and apply firm pressure. Begin drilling at a slow speed, gradually increasing the speed as you drill.
3. Always apply pressure in line with the bit. Use enough pressure to keep the drill biting, but do not push hard enough to stall the motor.
4. Reduce pressure and ease the bit through the last part of the hole. While the tool is still running, pull the bit out of the hole to prevent jamming.

Drilling in Wood, Composition Materials and Plastic

When drilling in wood, composition materials and plastic, start the drill slowly, gradually increasing speed as you drill. When drilling into wood, use wood augers or twist drill bits. Always use sharp bits. When using twist drill bits, pull the bit out of the hole frequently to clear chips from the bit flutes. To reduce the chance of splintering, back work with a piece of scrap wood. Select low speeds for plastics with a low melting point.

MAINTENANCE

⚠ WARNING To reduce the risk of injury, always unplug the charger and remove the battery pack from the charger or tool before performing any maintenance. Never disassemble the tool, battery pack or charger. Contact a **MILWAUKEE** service facility for ALL repairs.

Maintaining Tool

Keep your tool, battery pack and charger in good repair by adopting a regular maintenance program. After six months to one year, depending on use, return the tool, battery pack and charger to A **MILWAUKEE** service facility for:

- Lubrication
- Mechanical inspection and cleaning (gears, spindles, bearings, housing, etc.)
- Electrical inspection (battery pack, charger, motor)
- Testing to assure proper mechanical and electrical operation

If the tool does not start or operate at full power with a fully charged battery pack, clean the contacts on the battery pack. If the tool still does not work properly, return the tool, charger and battery pack, to a **MILWAUKEE** service facility for repairs.

⚠ WARNING To reduce the risk of personal injury and damage, never immerse your tool, battery pack or charger in liquid or allow a liquid to flow inside them.

Cleaning

Clean dust and debris from charger and tool vents. Keep tool handles clean, dry and free of oil or grease. Use only mild soap and a damp cloth to clean the tool, battery pack and charger since certain cleaning agents and solvents are harmful to plastics and other insulated parts. Some of these include gasoline, turpentine, lacquer thinner, paint thinner, chlorinated cleaning solvents, ammonia and household detergents containing ammonia. Never use flammable or combustible solvents around tools.

Repairs

For repairs, return the tool, battery pack and charger to the nearest service center.

ACCESSORIES

⚠ WARNING Always remove battery pack before changing or removing accessories. Only use accessories specifically recommended for this tool. Others may be hazardous.

For a complete listing of accessories refer to your **MILWAUKEE** Electric Tool catalog or go online to www.milwaukeetool.com. To obtain a catalog, contact your local distributor or service center.

LIMITED WARRANTY - USA AND CANADA

Every **MILWAUKEE** power tool (including cordless product – tool, battery pack(s) - see separate & distinct **CORDLESS BATTERY PACK LIMITED WARRANTY** statements & battery charger and Work Lights*) is warranted to the original purchaser only to be free from defects in material and workmanship. Subject to certain exceptions, **MILWAUKEE** will repair or replace any part on an electric power tool which, after examination, is determined by **MILWAUKEE** to be defective in material or workmanship for a period of five (5) years* after the date of purchase unless otherwise noted. Return of the power tool to a **MILWAUKEE** factory Service Center location or **MILWAUKEE** Authorized Service Station, freight prepaid and insured, is required. A copy of the proof of purchase should be included with the return product. This warranty does not apply to damage that **MILWAUKEE** determines to be from repairs made or attempted by anyone other than **MILWAUKEE** authorized personnel, misuse, alterations, abuse, normal wear and tear, lack of maintenance, or accidents. *The warranty period for, Job Site Radios, M12™ Power Port and Trade Titan™ Industrial Work Carts is one (1) year from the date of purchase. The warranty period for a LED Work Light and LED Upgrade Bulb is a limited LIFETIME warranty to the original purchaser only, if during normal use the LED bulb fails the Work Light or Upgrade Bulb will be replaced free of charge.

*This warranty does not cover Air Nailers & Stapler, Airless Paint Sprayer, Cordless Battery Packs, Gasoline Driven Portable Power Generators, Hand Tools, Hoist – Electric, Lever & Hand Chain, M12™ Heated Jackets, Reconditioned product and Test & Measurement products. There are separate and distinct warranties available for these products. Warranty Registration is not necessary to obtain the applicable warranty on a **MILWAUKEE** power tool product. The manufacturing date of the product will be used to determine the warranty period if no proof of purchase is provided at the time warranty service is requested.

ACCEPTANCE OF THE EXCLUSIVE REPAIR AND REPLACEMENT REMEDIES DESCRIBED HEREIN IS A CONDITION OF THE CONTRACT FOR THE PURCHASE OF EVERY **MILWAUKEE** PRODUCT. IF YOU DO NOT AGREE TO THIS CONDITION, YOU SHOULD NOT PURCHASE THE PRODUCT. IN NO EVENT SHALL **MILWAUKEE** BE LIABLE FOR ANY INCIDENTAL, SPECIAL, CONSEQUENTIAL OR PUNITIVE DAMAGES, OR FOR ANY COSTS, ATTORNEY FEES, EXPENSES, LOSSES OR DELAYS ALLEGED TO BE AS A CONSEQUENCE OF ANY DAMAGE TO, FAILURE OF, OR DEFECT IN ANY PRODUCT INCLUDING, BUT NOT LIMITED TO, ANY CLAIMS FOR LOSS OF PROFITS. SOME STATES DO NOT ALLOW THE EXCLUSION OR LIMITATION OF INCIDENTAL OR CONSEQUENTIAL DAMAGES, SO THE ABOVE LIMITATION OR EXCLUSION MAY NOT APPLY TO YOU. THIS WARRANTY IS EXCLUSIVE AND IN LIEU OF ALL OTHER EXPRESS WARRANTIES, WRITTEN OR ORAL. TO THE EXTENT PERMITTED BY LAW, **MILWAUKEE** DISCLAIMS ANY IMPLIED WARRANTIES, INCLUDING WITHOUT LIMITATION ANY IMPLIED WARRANTY OF MERCHANTABILITY OR FITNESS FOR A PARTICULAR USE OR PURPOSE; TO THE EXTENT SUCH DISCLAIMER IS NOT PERMITTED BY LAW, SUCH IMPLIED WARRANTIES ARE LIMITED TO THE DURATION OF THE APPLICABLE EXPRESS WARRANTY AS DESCRIBED ABOVE. SOME STATES DO NOT ALLOW LIMITATIONS ON HOW LONG AN IMPLIED WARRANTY LASTS, SO THE ABOVE LIMITATION MAY NOT APPLY TO YOU, THIS WARRANTY GIVES YOU SPECIFIC LEGAL RIGHTS, AND YOU MAY ALSO HAVE OTHER RIGHTS WHICH VARY FROM STATE TO STATE.

This warranty applies to product sold in the U.S.A. and Canada only.

Please consult the 'Service Center Search' in the Parts & Service section of **MILWAUKEE**'s website www.milwaukeetool.com or call 1.800.SAWDUST (1.800.729.3878) to locate your nearest **MILWAUKEE** factory Service Center location.

LIMITED WARRANTY - MEXICO, CENTRAL AMERICA AND CARIBBEAN

TECHTRONIC INDUSTRIES' warranty is for 5 year since the original purchase date.

This warranty card covers any defect in material and workmanship on this Power Tool.

To make this warranty valid, present this warranty card, sealed/stamped by the distributor or store where you purchased the product, to the Authorized Service Center (ASC). Or, if this card has not been sealed/stamped, present the original proof of purchase to the ASC.

Call toll-free 1 800 832 1949 to find the nearest ASC, for service, parts, accessories or components.

Procedure to make this warranty valid

Take the product to the ASC, along with the warranty card sealed/stamped by the distributor or store where you purchased the product, and there any faulty piece or component will be replaced without cost for you. We will cover all freight costs relative with this warranty process.

Exceptions

This warranty is not valid in the following situations:

- a) When the product is used in a different manners from the end-user guide or instruction manual.
- b) When the conditions of use are not normal.
- c) When the product was modified or repaired by people not authorized by **TECHTRONIC INDUSTRIES**.

Note: If cord set is damaged, it should be replaced by an Authorized Service Center to avoid electric risks.

Model: _____

Date of Purchase: _____

Distributor or Store Stamp:

SERVICE AND ATTENTION CENTER
Rafael Buelna No.1.
Col. Tezozomoc Mexico, Azcapotzalco D.F.
Ph. 01 800 832 1949

IMPORTED AND COMMERCIALIZED BY:
TECHTRONIC INDUSTRIES MEXICO, S.A. DE C.V.
Av. Santa Fe 481 piso 6, Col. Curz Manca.
CP 05349, Cuajimalpa, D.F.

RÈGLES DE SÉCURITÉ GÉNÉRALES RELATIVES AUX OUTILS ÉLECTRIQUES

AVERTISSEMENT LIRE TOUTES LES RÈGLES ET INSTRUCTIONS DE SÉCURITÉ. Ne pas suivre l'ensemble des règles et instructions peut entraîner une électrocution, un incendie ou des blessures graves. **Conserver les règles et les instructions à des fins de référence ultérieure.** Le terme «outil électrique» figurant dans les avertissements ci-dessous renvoie à l'outil électrique à alimentation par le réseau (à cordon) ou par batterie (sans fil).

SÉCURITÉ DU LIEU DE TRAVAIL

- Maintenir la zone de travail propre et bien éclairée. Les zones encombrées ou mal éclairées sont favorables aux accidents.
- Ne pas utiliser d'outil électrique dans une atmosphère explosive, telle qu'en en présence de liquides, de gaz ou de poussières inflammables. Les outils électriques génèrent des étincelles qui peuvent enflammer les poussières ou les fumées.
- Tenir les enfants et les personnes non autorisées à l'écart pendant le fonctionnement d'un outil électrique. Un manque d'attention de l'opérateur risque de lui faire perdre le contrôle de l'outil.

SÉCURITÉ ÉLECTRIQUE

- La fiche de l'outil électrique doit correspondre à la prise d'alimentation. Ne jamais modifier la fiche d'une manière quelconque. Ne pas utiliser d'adaptateur avec les outils électriques mis à la terre (à la masse). Des fiches non modifiées et des prises d'alimentation assorties réduisent le risque de choc électrique.
- Éviter tout contact corporel avec des surfaces reliées à la masse ou à la terre telles que tuyaux, radiateurs, cuisinières et réfrigérateurs. Un risque de choc électrique plus élevé existe si le corps est relié à la masse ou à la terre.
- Ne pas exposer les outils électriques à la pluie ou à l'humidité. Le risque de choc électrique augmente si de l'eau s'infiltré dans un outil électrique.
- Prendre soin du cordon. Ne jamais utiliser le cordon pour transporter, tirer ou débrancher l'outil électrique. Tenir le cordon à l'écart de la chaleur, des huiles, des arêtes coupantes ou des pièces en mouvement. Un cordon endommagé ou emmêlé présente un risque accru de choc électrique.
- Se procurer un cordon d'alimentation approprié en cas d'utilisation d'un outil électrique à l'extérieur. L'utilisation d'un cordon d'alimentation pour usage extérieur réduit le risque de choc électrique.
- S'il est nécessaire d'utiliser l'outil électrique dans un endroit humide, installer un appareil à courant résiduel (RCD). L'utilisation d'un RCD réduit le risque de décharge électrique.

SÉCURITÉ INDIVIDUELLE

- Être sur ses gardes, être attentif et faire preuve de bon sens en utilisant un outil électrique. Ne pas utiliser un outil électrique en cas de fatigue ou sous l'influence de drogues, d'alcool ou de médicaments. Un instant d'inattention lors

de l'utilisation d'un outil électrique peut entraîner des blessures graves.

- Porter l'équipement de protection requis. Toujours porter une protection oculaire. Selon les conditions, porter aussi un masque anti-poussières, des bottes de sécurité antidérapantes, un casque protecteur ou une protection auditive afin de réduire les blessures.
- Empêcher les démarrages accidentels. S'assurer que la gâchette est en position d'arrêt avant de brancher l'outil à une source de courant, d'insérer la batterie, de le ramasser ou de le transporter. Le fait de transporter l'outil en gardant le doigt sur la gâchette ou de le brancher lorsque la gâchette est en position de marche favorise les accidents.
- Retirer toute clé de réglage avant de mettre l'outil sous tension. Une clé laissée attachée sur une pièce mobile de l'outil électrique peut entraîner des blessures.
- Ne pas travailler à bout de bras. Bien garder un bon équilibre à tout instant. Ceci permet de mieux préserver la maîtrise de l'outil électrique dans des situations imprévues.
- Porter des vêtements adéquats. Ne pas porter de vêtements amples ni de bijoux. Ne pas approcher les cheveux, vêtements et gants des pièces en mouvement. Les vêtements amples, les bijoux ou les cheveux longs risquent d'être happés par les pièces en mouvement.
- Si des dispositifs sont prévus pour l'extraction et la récupération des poussières, vérifier qu'ils sont connectés et utilisés correctement. L'utilisation de ces dispositifs peut réduire les risques liés aux poussières.

UTILISATION ET ENTRETIEN DE L'OUTIL ÉLECTRIQUE

- Ne pas forcer l'outil électrique. Utiliser l'outil électrique approprié à l'application considérée. L'outil électrique adapté au projet considéré produira de meilleurs résultats, dans des conditions de sécurité meilleures, à la vitesse pour laquelle il a été conçu.
- Ne pas utiliser l'outil électrique si le commutateur ne le met pas sous ou hors tension. Tout outil électrique dont le commutateur de marche-arrêt est inopérant est dangereux et doit être réparé.
- Débrancher la fiche de la prise d'alimentation et/ou la batterie de l'outil électrique avant d'effectuer des réglages, de changer d'accessoires ou de ranger l'outil. De telles mesures de sécurité préventive réduisent le risque de mettre l'outil en marche accidentellement.

- Ranger les outils électriques inutilisés hors de la portée des enfants et ne pas laisser des personnes qui connaissent mal les outils électriques ou ces instructions utiliser ces outils. Les outils électriques sont dangereux dans les mains d'utilisateurs non formés à leur usage.
- Entretien des outils électriques. S'assurer de l'absence de tout désalignement ou de grippage des pièces mobiles, de toute rupture de pièce ou de toute autre condition qui pourrait affecter le bon fonctionnement de l'outil électrique. En cas de dommages, faire réparer l'outil avant de l'utiliser de nouveau. Les outils électriques mal entretenus sont à la source de nombreux accidents.
- Garder les outils de coupe affûtés et propres. Les outils de coupe correctement entretenus et bien affûtés risquent moins de se gripper et sont plus faciles à manier.
- Utiliser l'outil électrique, les accessoires, les grains etc. conformément à ces instructions en tenant compte des conditions de travail et de la tâche à effectuer. L'utilisation de cet outil électrique pour effectuer une opération pour laquelle il n'est pas conçu peut occasionner une situation dangereuse.

UTILISATION ET ENTRETIEN DE LA BATTERIE

- Ne recharger la batterie qu'avec le chargeur spécifié par le fabricant. Un chargeur qui convient à un type de batterie peut créer un risque d'incendie s'il est utilisé avec un autre type de batterie.
- N'utiliser les outils électriques qu'avec les batteries spécialement conçues pour eux. L'utilisation de batteries d'autres marques peut créer un risque de blessure et d'incendie.
- Lorsque la batterie est hors service, la ranger à l'écart d'autres objets métalliques tels que trombones, pièces de monnaie, clés, clous, vis et autres petits objets métalliques qui peuvent établir une connexion d'une borne à l'autre. Un court-circuit aux bornes de la batterie peut provoquer des brûlures ou un incendie.
- Du liquide peut être éjecté de la batterie en cas de manutention abusive ; éviter tout contact. En cas de contact accidentel avec les projections, rincer à l'eau. En cas de contact avec les yeux, consulter un médecin. Le liquide s'échappant de la batterie peut provoquer des irritations ou des brûlures.

ENTRETIEN

- Faire effectuer l'entretien de l'outil électrique par un technicien qualifié qui n'utilisera que des pièces de rechange identiques. La sécurité d'utilisation de l'outil en sera préservée.

SPÉCIFICATIONS



No de Cat.	Volts CD	Tr/min. à vide	Capacités				
			Mèche d'alésage à Bois	Lame scie	Mèche Bois	Mèche à Bateau	Mèche Tirez-Fond
0721-20	28	Haut 0-1 000 Bas 0-400	38 mm (1-1/2") 38 mm (1-1/2")	89 mm (3-1/2") 114 mm (4-1/2")	19 mm (3/4") 38 mm (1-1/2")	25 mm (1") 38 mm (1-1/2")	25 mm (1") 65 mm (2-9/16")

Utilisez les batteries seulement de MILWAUKEE M28™ ou V28®.

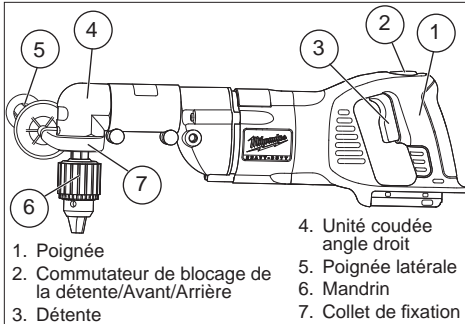
RÈGLES DE SÉCURITÉ SPÉCIFIQUES

- Porter des protège-oreilles avec un marteau perforateur. Une exposition au bruit peut provoquer une perte auditive.
- Utiliser les poignées auxiliaires fournies avec l'outil. Une perte de contrôle peut provoquer des blessures.
- Tenir l'outil par les surfaces de prise isolées si, au cours des travaux, l'outil de coupe risque d'entrer en contact avec des fils cachés ou avec son propre cordon. Le contact avec un fil sous tension met les parties métalliques exposées de l'outil sous tension, ce qui infligera un choc électrique à l'opérateur.
- Tenez les mains à l'écart des arêtes tranchantes et des pièces en mouvement.
- Entretenez les étiquettes et marqis de fabrication. Les indications qu'elles contiennent sont précieuses. Si elles deviennent illisibles ou se détachent, faites-les remplacer gratuitement à un centre de service MILWAUKEE accrédité.
- AVERTISSEMENT La poussière dégage par perçage, sclage, perçage et autres travaux de construction contient des substances chimiques reconnues comme pouvant causer le cancer, des malformations congénitales ou d'autres troubles de reproduction. Voici quelques exemples de telles substances :
 - Le plomb contenu dans la peinture au plomb.
 - Le silice cristallin contenu dans la brique, le béton et divers produits de maçonnerie.
 - L'arsenic et le chrome servant au traitement chimique du bois.
 Les risques associés à l'exposition à ces substances varient, dépendant de la fréquence des travaux. Afin de minimiser l'exposition à ces substances chimiques, assurez-vous de travailler dans un endroit bien aéré et d'utiliser de l'équipement de sécurité tel un masque anti-poussière spécifiquement conçu pour la filtration de particules microscopiques.

PICTOGRAPHIE

n_0 XXXX min. ⁻¹	Tours-minute à vide (RPM)
	Tension CD seul.
	Underwriters Laboratories, Inc. États-Unis et Canada

DESCRIPTION FONCTIONNELLE



1. Poignée
2. Commutateur de blocage de la détente/Avant/Arrière
3. Détection
4. Unité coudée angle droit
5. Poignée latérale
6. Mandrin
7. Collet de fixation

MONTAGE DE L'OUTIL

AVERTISSEMENT Ne recharger la batterie qu'avec le chargeur spécifié. Pour les instructions de charge spécifiques, lire le manuel d'utilisation fourni avec le chargeur et les batteries.

AVERTISSEMENT Il faut toujours retirer la batterie et verrouiller la détente de l'outil avant de changer ou d'enlever les accessoires. L'emploi d'accessoires autres que ceux qui sont expressément recommandés pour cet outil peut comporter des risques.

Retrait de la batterie de l'outil

Pousser les boutons d'ouverture vers l'intérieur et retirer la batterie de l'outil.

Insertion de la batterie dans l'outil

Pour insérer la batterie dans l'outil, la glisser sur le corps de l'outil. S'assurer qu'elle se loge fermement en place.

AVERTISSEMENT Pour minimiser les risques de blessures corporelles, à cause du couple très élevé de cet outil, il faut toujours employer la poignée latérale, la maintenir ou l'étayer solidement.

AVERTISSEMENT Lorsque vous utilisez la perceuse à poignée en étrier sans l'unité d'entraînement coudée à angle droit, n'installez pas le collet de fixation et la poignée latérale qui y est fixée à l'avant de la boîte d'engrenages, servez-vous plutôt de la poignée latérale. N'utilisez pas la rallonge en même temps que le collet de fixation.

Collet de fixation, rallonge et poignée latérale pour unité d'entraînement coudée à angle droit

Pour perceuse à poignée en étrier et unité d'entraînement coudée à angle droit : Un collet de fixation, une rallonge et une poignée latérale sont fournis avec l'unité d'entraînement coudée à angle droit. Lorsque vous utilisez une unité d'entraînement coudée à angle droit, fixez la poignée latérale au collet de fixation. N'utilisez pas la rallonge avec le collet de fixation. Le collet de fixation avec la poignée latérale se fixe sur l'unité d'entraînement coudée à angle droit. Ils pivotent à 360° et se verrouillent à n'importe quelle position. Pour perceuse à poignée en étrier sans unité d'entraînement coudée à angle droit :

Lorsque vous utilisez la perceuse à poignée en étrier sans l'unité d'entraînement coudée à angle droit, retirez le collet de fixation et la poignée latérale qui y est fixée, puis retirez la poignée latérale du collet de fixation. Fixez la poignée latérale à la rallonge. La poignée latérale peut être installée sur l'un ou l'autre des côtés du boîtier pour usage droitier ou gaucher. Pour installer la rallonge et la poignée latérale qui l'accompagne, vissez la rallonge dans la douille sur un côté ou l'autre de l'outil, selon l'usage droitier ou gaucher désiré. Serrez-la à fond.

N.B. Si vous disposez d'un collet de fixation avec poignée latérale et rallonge avec poignée latérale en supplément, n'utilisez pas la rallonge et la poignée latérale en même temps que l'unité d'entraînement coudée à angle droit. Retirez ces accessoires de l'outil avant de vous en servir.

Fixation de l'unité coudée à la perceuse

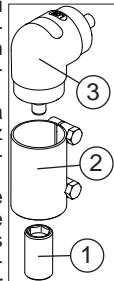
1. Retirez le mandrin de la perceuse selon les instructions intitulées « Retrait du mandrin de la perceuse », ci-dessous. Ensuite, glissez le manchon polygonal (1) sur la partie hexagonale du pivot de la perceuse.

Dévissez les vis de fixation sur la douille de fixation (2) et glissez la douille sur le collet de la perceuse.

2. Passez la tête de l'unité coudée (3) sur l'autre bout de la douille et tournez-la légèrement dans les deux sens pour que le trou hexagonal du manchon s'engage sur la partie hexagonale du pivot.

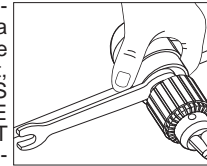
N.B. La pose du mandrin sur le côté de l'unité coudée marqué « LOW » réduira la vitesse de rotation du tiers (33 %). La pose du mandrin sur l'autre côté de l'unité coudée augmentera la vitesse de rotation d'une demie (50 %).

3. Après avoir monté l'unité coudée, tournez-la à la position désirée et serrez les vis de fixation pour la maintenir en place. Vissez le mandrin sur le pivot de l'unité coudée et posez la vis de verrouillage du mandrin.



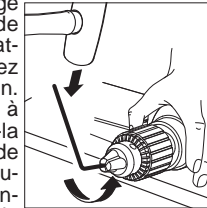
Retrait du mandrin de l'unité coudée

Le mandrin peut être retiré de l'unité coudée de la même façon qu'il se retire de la perceuse, cependant, **RETIREZ TOUJOURS L'UNITÉ COUDÉE DE LA PERCEUSE AVANT D'ESSAYER DE DÉVISSER LE MANDRIN.** Ceci, pour prévenir les dommages aux engrenages de la perceuse. Utilisez la clé à fourche fournie avec l'outil pour bloquer le pivot de l'unité coudée, avant d'essayer de dévisser le mandrin.



Retrait du mandrin de la perceuse

1. Pour retirer la vis à filetage faucher de l'intérieur de mandrin, enlevez la batterie de l'outil et écartez les mâchoires de mandrin. Prenez une clé hex. à poignée en T et insérez-la dans la tête de la vis de verrouillage à filetage gaucher à l'intérieur du mandrin. Maintenez le mandrin avec la clé de mandrin tandis que vous tournerez la clé hex. à poignée en T tel qu'indiqué pour dévisser la vis de verrouillage. Conservez la vis pour installer le nouveau mandrin.
2. Pour retirer le mandrin, placez une grosse clé hex. entre les mâchoires du mandrin et serrez-le à fond. Posez-le sur un établi, tel qu'indiqué. Frappez la clé hex. avec un maillet à tête melle pour desserrer le mandrin. Dévissez-le à la main.



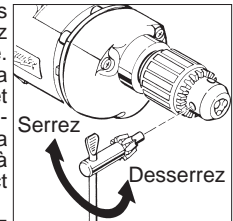
MANIEMENT

AVERTISSEMENT Il faut toujours retirer la batterie et verrouiller la détente de l'outil avant de changer ou d'enlever les accessoires. L'emploi d'accessoires autres que ceux qui sont expressément recommandés pour cet outil peut comporter des risques.

AVERTISSEMENT Pour réduire le risque de blessures, garder les mains à l'écart de la forets et des autres pièces en mouvement. Toujours porter des lunettes à coques ou des lunettes de protection avec écrans latéraux. Retirez toujours la clé du mandrin après chaque usage.

Pose des mèches dans le mandrin à clé

1. Écartez les mâchoires du mandrin, assez pour y insérer la mèche. Assurez-vous que la queue de la mèche et les mâchoires du mandrin sont propres car la saleté pourrait nuire à un alignement correct de la mèche.
2. Lorsque vous utilisez une mèche pour percer, insérez-la dans le mandrin. Centrez-la entre les mâchoires et retirez-la d'environ 1,6 mm (1/16") du fond du mandrin. Serrez les mâchoires à la main pour aligner la mèche. Si vous servez de la perceuse comme tournevis, insérez la lame-tournevis assez loin pour que les mâchoires du mandrin en agrippent parfaitement la tige. Serrez les mâchoires du mandrin à la main pour aligner la pièce.
3. Placez la clé de mandrin dans chacun des trois trous du mandrin, tournez-la en sens horaire, tel qu'indiqué, et serrez-la à fond.
4. Pour retirer la lame, insérez la clé de mandrin dans l'un des trous du mandrin et tournez-la en sens inverse-horaire.



Commutateur de blocage de la détente/Avant/Arrière

Pour la rotation avant, rotation arrière, ou verrouiller la détente, déplacer le commutateur de blocage de la détente sur les positions suivantes:

Pour la rotation avant, (sens horaire) glissez l'inverseur de rotation vers la position marquée «A», tel qu'indiqué. Pour faire **varier** la vitesse, augmenter ou réduire la pression sur la détente.

Pour la rotation arrière, (sens inverse-horaire), glissez l'inverseur à la position «B», tel qu'indiqué. Pour faire **varier** la vitesse, augmenter ou réduire la pression sur la détente.

Pour **verrouiller** la détente: Déplacer le commutateur vers le centre. «C» s'affiche au-dessus du commutateur. La détente ne fonctionne pas tant que le commutateur est sur la position verrouillée. Toujours verrouiller la détente et retirer la batterie avant d'effectuer l'entretien et de changer d'accessoires. Verrouiller la détente avant de ranger l'outil ou lorsque l'outil n'est pas utilisé.



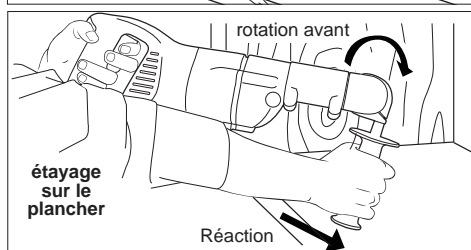
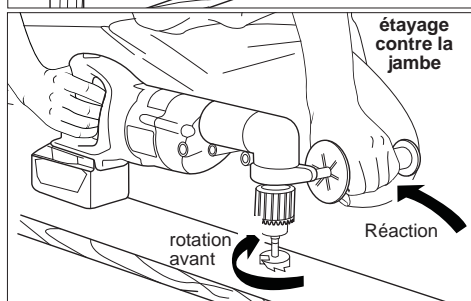
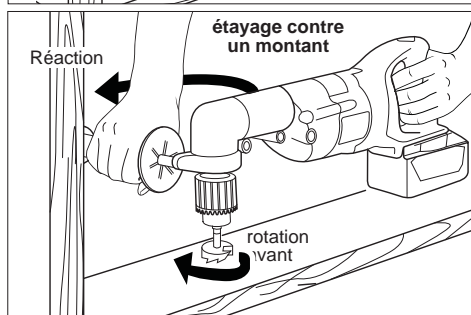
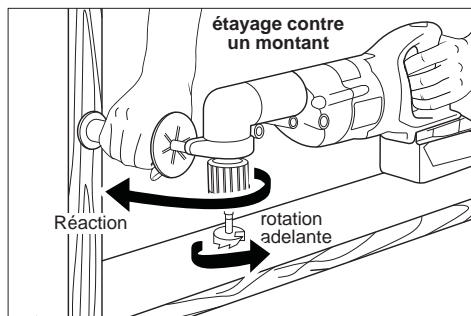
Marche, arrêt et contrôle de la vitesse

1. Pour mettre l'outil **en marche**, saisissez fermement la poignée et tirez sur la détente.
2. Pour faire **varier** la vitesse, augmenter ou réduire la pression sur la détente. La vitesse augmente en fonction de la pression exercée sur la détente.
3. Pour **arrêter** l'outil, relâchez la détente. S'assurer que la mèche s'arrête complètement avant de poser l'outil.

Frein électrique

Le frein électrique s'enclenche lorsque la détente est relâchée, ce qui a pour effet d'immobiliser la mèche et de permettre à l'opérateur de poursuivre son travail. La mèche s'immobilise généralement dans les deux secondes. Un délai peut se produire toutefois entre le relâchement total de la pression exercée sur la détente et l'enclenchement du frein. Il se peut qu'occasionnellement le frein ne s'enclenche pas du tout. En cas de dysfonctionnement fréquent du frein, faire réparer l'outil par un centre d'entretien **MILWAUKEE** agréé.

AVERTISSEMENT Pour minimiser les risques de blessures corporelles et les dommages à l'outil, tenez-le et appuyez-le solidement. Si le foret devient coincé, il se produira un mouvement de recul dans la direction opposée à la rotation. Le foret peut se coincer s'il est mal aligné ou lorsqu'il traverse le matériau de part en part. Les mèches à bois peuvent également rester coincées lorsqu'elles viennent en contact avec des clous ou des noeuds.



APPLICATIONS

Choix des mèches

Lorsque vous choisissez une mèche, employez la mèche appropriée pour le travail à exécuter. Pour un meilleur forage, n'employez que des mèches bien affûtées.

Perçage

1. Avant de driller, assurez-vous que le matériau est fixé solidement. Appuyez-le sur une pièce rigide pour éviter de l'endommager en passant au travers.
2. Pour commencer à percer un trou, placez le foret sur la surface à travailler et appuyez fermement sur l'outil. Commencez à driller lentement pour ensuite augmenter la vitesse de perçage.
3. Appliquez toujours la pression en droite ligne avec le foret. Appuyez assez fermement pour qu'il morde dans la pièce sans toutefois causer l'arrêt du moteur.
4. Réduisez la pression et relâchez la rotation en arrivant à la phase finale du perçage. Pour éviter le blocage, retirez le foret du trou tandis que l'outil tourne encore.

Perçage dans le bois, les agglomérés et le plastique

Lorsque vous percez dans le bois, les agglomérés et le plastique, commencez à driller lentement pour augmenter graduellement la vitesse. Lorsque vous drillez dans le bois, servez-vous d'une mèche à bois ou d'un foret hélicoïdal. N'employez que des pièces bien affûtées. Si vous employez une mèche hélicoïdale, sortez fréquemment la mèche du trou pour en débarrasser les cannelures des rognures. Pour minimiser les risques d'écaillage, appuyez le matériau sur un morceau de bois de rebut. Drillez à basse vitesse dans les plastiques dont le point de fusion est peu élevé.

ACCESSOIRES

AVERTISSEMENT Retirez toujours la batterie avant de changer ou d'enlever les accessoires. L'utilisation d'autres accessoires que ceux qui sont spécifiquement recommandés pour cet outil peut comporter des risques.

Pour une liste complète des accessoires, prière de se reporter au catalogue **MILWAUKEE** Electric Tool ou visiter le site internet www.milwaukeetool.com. Pour obtenir un catalogue, il suffit de contacter votre distributeur local ou l'un des centres-service.

ENTRETIEN

AVERTISSEMENT Pour minimiser les risques de blessures corporelles, débranchez le chargeur et retirez la batterie du chargeur ou de l'outil avant d'y effectuer des travaux d'entretien. Ne démontez jamais l'outil, la batterie ou le chargeur. Pour toute réparation, consultez un centre de service **MILWAUKEE** accrédité.

Entretien de l'outil

Gardez l'outil, la batterie et le chargeur en bon état en adoptant un programme d'entretien ponctuel. Après une période de six mois à un an, selon l'utilisation, renvoyez l'outil, la batterie et le chargeur à un centre de service **MILWAUKEE** accrédité pour les services suivants:

- Lubrification
- Inspection et nettoyage de la mécanique (engrenages, pivots, coussinets, boîtier etc.)
- Inspection électrique (batterie, chargeur, moteur)
- Vérification du fonctionnement électromécanique

Si l'outil ne démarre pas ou ne fonctionne pas à pleine puissance alors qu'il est branché sur une batterie complètement chargée, nettoyez les points de contact entre la batterie et l'outil. Si l'outil ne fonctionne toujours pas correctement, renvoyez l'outil, le chargeur et la batterie à un centre de service **MILWAUKEE** accrédité, afin qu'on en effectue la réparation (voir "Réparations").

AVERTISSEMENT Pour minimiser les risques de blessures ou de dommages à l'outil, n'immergez jamais l'outil, la batterie ou le chargeur et ne laissez pas de liquide s'y infiltrer.

Nettoyage

Débarrassez les événements du chargeur et de l'outil des débris et de la poussière. Gardez les poignées de l'outil propres, à sec et exemptes d'huile ou de graisse. Le nettoyage de l'outil, du chargeur et de la batterie doit se faire avec un linge humide et un savon doux. Certains nettoyants tels l'essence, la térébenthine, les diluants à laque ou à peinture, les solvants chlorés, l'ammoniaque et les détergents d'usage domestique qui en contiennent pourraient détériorer le plastique et l'isolation des pièces. Ne laissez jamais de solvants inflammables ou combustibles auprès de l'outil.

Réparations

Pour les réparations, retournez outil, batterie et chargeur en entier au centre-service le plus près.

GARANTIE LIMITÉE - AUX ÉTATS-UNIS ET AU CANADA

Chaque outil électrique MILWAUKEE (y compris les produits sans fil [outils, piles, chargeur de piles, lampe de travail]; consulter les énoncés de la GARANTIE LIMITÉE DES BLOCS-PILES SANS FIL) est garanti à l'acheteur d'origine être exempt de vice de matériau et de fabrication. Sous réserve de certaines exceptions, MILWAUKEE réparera ou remplacera toute pièce d'un outil électrique qui, après examen par MILWAUKEE, s'est avérée être affectée d'un vice de matériau ou de fabrication pendant une période de cinq (5) ans* après la date d'achat, sauf indication contraire. Retourner l'outil électrique, à un centre de réparations en usine MILWAUKEE ou à un poste d'entretien agréé MILWAUKEE, en port prépayé et assuré. Une copie de la preuve d'achat doit être présentée au moment de retourner le produit. Cette garantie ne couvre pas les dommages que MILWAUKEE détermine être causés par des réparations ou des tentatives de réparation par quiconque autre que le personnel agréé par MILWAUKEE, des utilisations incorrectes, des altérations, des utilisations abusives, une usure normale, une carence d'entretien ou des accidents.

*La période de garantie applicable pour les radios de chantier, le port d'alimentation M12™ et les chariots de travail industriels Trade Titan™ est d'une durée d'un (1) an à partir de la date d'achat. La période de la garantie couvrant la lampe de travail à DÉL et l'ampoule améliorée à DÉL est une garantie À VIE limitée à l'acheteur d'origine seulement; si, lors d'une utilisation normale, l'ampoule à DÉL présente une défectuosité, la lampe de travail et l'ampoule seront remplacées sans frais.

*Cette garantie ne s'applique pas aux clouuses-agrafeuses pneumatiques, aux pulvérisateurs à peinture sans air, aux blocs piles pour outils sans fil, aux génératrices d'alimentation portatives à essence, aux outils à main, aux monte-charge - électrique, à levier et à chaîne (manuel), aux vestes chauffantes M12™, aux produits réusinés, ni aux produits d'essai et de mesure. Il existe des garanties distinctes pour ces produits.

L'enregistrement de la garantie n'est pas nécessaire pour bénéficier de la garantie en vigueur sur un outil électrique MILWAUKEE. La date de fabrication du produit servira à établir la période de garantie si aucune preuve d'achat n'est fournie lorsqu'une demande de service sous garantie est présentée.

L'ACCEPTATION DES RECOURS EXCLUSIFS DE RÉPARATION ET DE REMPLACEMENT DÉCRITS AUX PRÉSENTES EST UNE CONDITION DU CONTRAT D'ACHAT DE TOUT PRODUIT MILWAUKEE. SI VOUS N'ACCEPTEZ PAS CETTE CONDITION, VOUS NE DEVEZ PAS ACHETER LE PRODUIT. EN AUCUN CAS MILWAUKEE NE SAURAIT ÊTRE RESPONSABLE DE TOUT DOMMAGE ACCESSOIRE, SPÉCIAL OU INDIRECT, DE DOMMAGES-INTÉRÊTS PUNITIFS OU DE TOUTE DÉPENSE, D'HONORAIRES D'AVOCATS, DE FRAIS, DE PERTE OU DE DÉLAIS ACCESSOIRES À TOUT DOMMAGE, DÉFAILLANCE OU DÉFAUT DE TOUT PRODUIT, Y COMPRIS NOTAMMENT LES PERTES DE PROFIT. CERTAINS ÉTATS ET PROVINCES NE PERMETTANT PAS L'EXCLUSION OU LA LIMITATION DES DOMMAGES DIRECTS OU INDIRECTS, LES RESTRICTIONS CI-DESSUS PEUVENT NE PAS ÊTRE APPLICABLES. CETTE GARANTIE EST EXCLUSIVE ET REMPLACE TOUTE AUTRE GARANTIE EXPRESSE, QU'ELLE SOIT ORALE OU ÉCRITE. DANS LA MESURE PERMISE PAR LA LOI, MILWAUKEE RENONCE À TOUTE GARANTIE IMPLICITE, Y COMPRIS, SANS S'Y LIMITER, TOUTE GARANTIE IMPLICITE DE QUALITÉ MARCHANDE OU D'ADAPTATION À UNE UTILISATION OU À UNE FIN PARTICULIÈRE. DANS LA MESURE OÙ UNE TELLE STIPULATION D'EXONÉRATION N'EST PAS PERMISE PAR LA LOI, LA DURÉE DE CES GARANTIES IMPLICITES EST LIMITÉE À LA PÉRIODE APPLICABLE DE LA GARANTIE EXPRESSE, TEL QUE DÉCRIT PRÉCÉDEMMENT. CERTAINS ÉTATS ET PROVINCES NE PERMETTANT PAS DE LIMITATION DE DURÉE DES GARANTIES IMPLICITES, LES RESTRICTIONS CI-DESSUS PEUVENT NE PAS ÊTRE APPLICABLES. LA PRÉSENTE CONFÈRE À L'UTILISATEUR DES DROITS LÉGAUX PARTICULIERS; IL BÉNÉFICIE ÉGALEMENT D'AUTRES DROITS QUI VARIENT D'UN ÉTAT À L'AUTRE.

Cette garantie s'applique aux produits vendus aux États-Unis et au Canada uniquement.

Veuillez consulter la rubrique Centre SAV MILWAUKEE, dans la section Pièces & Service du site Web de MILWAUKEE, à l'adresse www.milwaukeeetool.com, ou composer le 1-800-SAWDUST (1-800-729-3878) afin de trouver le centre de réparations en usine MILWAUKEE le plus près.

GARANTIE LIMITÉE - MEXIQUE, AMÉRIQUE CENTRALE ET CARAÏBES

TECHTRONIC INDUSTRIES* garantit le produit pendant cinq ans à partir de la date d'achat d'origine. Le présent bon de garantie couvre tous les vices de matériau et de fabrication que peut afficher cet outil électrique. Pour assurer la validité de la présente garantie, veuillez présenter le bon de commande, estampillé du sceau du distributeur ou du magasin où le produit a été acheté, au centre de réparations agréé. Si le bon de commande n'a pas été estampillé, veuillez fournir la preuve d'achat d'origine au centre de réparations agréé. Pour un entretien, des pièces, des accessoires ou d'autres composants, composer sans frais le 1-800-832-1949 afin d'obtenir les coordonnées du centre de réparations agréé le plus près.

Procédure pour assurer la validité de la garantie

Présenter le produit au centre de réparations agréé, accompagné du bon de commande estampillé du sceau du distributeur ou du magasin où le produit a été acheté. Toute pièce défectueuse ou tout composant défectueux sera remplacé sans frais. Milwaukee assume tous les frais de transport liés à ce processus de garantie.

Exceptions

La garantie ne s'applique pas dans les situations suivantes :

- Si le produit a été utilisé pour une fin autre que celle indiquée dans le guide de l'utilisateur final ou le manuel d'instructions.
- Si les conditions d'utilisations ne sont pas habituelles.
- Si le produit a été modifié ou réparé par une personne non autorisée par TECHTRONIC INDUSTRIES.

Note : Si le cordon électrique est endommagé, il doit être remplacé par un centre de réparations agréé pour éviter les risques d'électrocution.

Modèle : _____

Date d'achat : _____

Sceau du distributeur ou du magasin : _____

CENTRE DE RÉPARATIONS ET DE SERVICE
Rafael Buelna No.1.
Col. Tezozomoc Mexico, Azcapotzalco D.F.
Ph. 01 800 832 1949

IMPORTÉ ET COMMERCIALISÉ PAR :
TECHTRONIC INDUSTRIES MEXICO, S.A. DE C.V.
Av. Santa Fe 481 piso 6, Col. Curz Manca.
CP 05349, Cuajimalpa, D.F.

ADVERTENCIAS DE SEGURIDAD GENERALES PARA LA HERRAMIENTA ELÉCTRICA

⚠ ADVERTENCIA LEA TODAS LAS ADVERTENCIAS E INSTRUCCIONES DE SEGURIDAD. Si no sigue todas las advertencias e instrucciones, se pueden provocar una descarga eléctrica, un incendio o lesiones graves.

Guarde todas las advertencias e instrucciones para consultarlas en el futuro. El término "herramienta eléctrica" en todas las advertencias incluidas más abajo se refiere a su herramienta operada por conexión (cable) a la red eléctrica o por medio de una batería (inalámbrica).

SEGURIDAD EN EL ÁREA DE TRABAJO

- **Mantenga limpia y bien iluminada el área de trabajo.** Las áreas desordenadas u oscuras contribuyen a que se produzcan accidentes.
- **No utilice herramientas eléctricas en atmósferas explosivas, como en la presencia de líquidos, gases o polvo inflamables.** Las herramientas eléctricas crean chispas que pueden incendiar el polvo o las emanaciones.
- **Mantenga a los niños y otras personas alejadas mientras utiliza una herramienta eléctrica.** Las distracciones pueden hacerle perder el control.

SEGURIDAD ELÉCTRICA

- **Los enchufes de las herramientas eléctricas deben ser del mismo tipo que el tomacorrientes.** Nunca realice ningún tipo de modificación en el enchufe. No use enchufes adaptadores con herramientas eléctricas con conexión a tierra. Se reducirá el riesgo de descarga eléctrica si no se modifican los enchufes y los tomacorrientes son del mismo tipo.
- **Evite el contacto corporal con superficies con conexión a tierra, como tuberías, radiadores, estufas y refrigeradores.** El riesgo de descarga eléctrica aumenta si su cuerpo está conectado a tierra.
- **No exponga las herramientas eléctricas a la lluvia o a condiciones de humedad.** El agua que entra en una herramienta eléctrica aumenta el riesgo de descarga eléctrica.
- **No abuse del cable. Nunca use el cable para transportar la herramienta eléctrica, tirar de ella o desenchufarla.** Mantenga el cable alejado del calor, los bordes afilados o las piezas en movimiento. Los cables dañados o enmarañados aumentan el riesgo de descarga eléctrica.
- **Cuando se utiliza una herramienta eléctrica en el exterior, use una extensión que sea apropiada para uso en el exterior.** El uso de un cable apropiado para el exterior reduce el riesgo de descarga eléctrica.
- **Si debe operar una herramienta eléctrica en un lugar húmedo, utilice un suministro protegido por un dispositivo de corriente residual (RCD).** Usar un RCD reduce el riesgo de que se produzcan descargas eléctricas.

SEGURIDAD PERSONAL

- **Manténgase alerta, ponga cuidado a lo que está haciendo y use el sentido común cuando utilice una herramienta eléctrica. No use una herramienta eléctrica cuando está cansado o bajo la influencia de drogas, alcohol o medicinas.**

Despistarse un minuto cuando se utiliza una herramienta eléctrica puede tener como resultado lesiones personales graves.

- **Use un equipo de protección personal. Lleve siempre protección ocular.** Llevar un equipo de protección apropiado para la situación, como una máscara antipolvo, zapatos de seguridad antideslizantes, un casco o protección auditiva, reducirá las lesiones personales.
- **Evite el incendio accidental. Asegúrese de que el interruptor esté en la posición de apagado antes de conectarlo a la toma de alimentación o a la batería, al levantar o mover la herramienta.** Mover herramientas con el dedo en el interruptor o enchufarlas con el interruptor en la posición de encendido contribuye a que se produzcan accidentes.
- **Quite todas las llaves de ajuste antes de encender la herramienta.** Una llave que esté acoplada a una pieza giratoria de la herramienta puede provocar lesiones personales.
- **No se estire demasiado. Mantenga los pies bien asentados y el equilibrio en todo momento.** Esto permite tener mejor control de la herramienta eléctrica en situaciones inesperadas.
- **Vístase de manera apropiada. No lleve ropa suelta ni joyas. Mantenga el cabello, la ropa y los guantes lejos de las piezas en movimiento.** La ropa floja, las joyas o el cabello largo pueden quedar atrapados en las piezas en movimiento.
- **Si se proporcionan dispositivos para la conexión de sistemas de recolección y extracción de polvo, asegúrese de que estén conectados y se usen apropiadamente.** El uso de estos dispositivos puede reducir los peligros relacionados con el polvo.

USO Y CUIDADO DE LAS HERRAMIENTAS ELÉCTRICAS

- **No fuerce la herramienta eléctrica. Use la herramienta eléctrica correcta para la aplicación.** La herramienta eléctrica correcta funcionará mejor y de manera más segura a la velocidad para la que se diseñó.
- **No use la herramienta eléctrica si el interruptor no la enciende ni la apaga.** Cualquier herramienta eléctrica que no se pueda controlar con el interruptor es peligrosa y se debe reparar.
- **Desconecte el enchufe de la toma de alimentación y/o la batería de la herramienta eléctrica antes de realizar cualquier ajuste, cambiar accesorios o almacenar las herramientas eléctricas.** Dichas medidas preventivas de seguridad reducen el riesgo de que la herramienta se prenda accidentalmente.

- **Almacene las herramientas eléctricas fuera del alcance de los niños y no permita que personas no familiarizadas con ellas o estas instrucciones las utilicen.** Las herramientas eléctricas son peligrosas en las manos de usuarios no capacitados.
- **Mantenimiento de las herramientas eléctricas.** Revise que no haya piezas móviles que estén desalineadas o que se atasquen, piezas rotas ni ninguna otra condición que pueda afectar el funcionamiento de la herramienta eléctrica. Si se encuentran daños, haga que le reparen la herramienta antes de usarla. Las herramientas mal mantenidas son la causa de muchos accidentes.
- **Mantenga las herramientas de corte limpias y afiladas.** Es menos probable que se atasquen las herramientas de corte con filos afilados que se mantienen de manera apropiada y también son más fáciles de controlar.
- **Use la herramienta eléctrica, los accesorios, las brocas, etc. siguiendo estas instrucciones, teniendo en cuenta las condiciones de trabajo y la tarea que se va a realizar.** El uso de la herramienta eléctrica para operaciones diferentes de aquellas para las que se diseñó podría originar una situación peligrosa.

USO Y CUIDADO DE LAS HERRAMIENTAS CON BATERÍA

- **Recárguela solamente con el cargador especificado por el fabricante.** Un cargador que sea apropiado para un tipo de batería puede crear riesgo de incendio cuando se use con otra batería.
- **Use las herramientas eléctricas solamente con baterías específicamente diseñadas.** El uso de cualquier otro tipo de batería puede crear riesgo de lesiones o incendio.
- **Cuando no se use la batería manténgala alejada de otros objetos de metal como clips para papel, monedas, llaves, clavos, tornillos u otros objetos de metal pequeños que puedan realizar una conexión entre los bornes.** Realizar un cortacircuito en los terminales de la batería puede provocar quemaduras o un incendio.
- **Bajo condiciones abusivas, puede salir líquido expulsado de la batería; evitar el contacto. Si se produce un contacto accidental, lavar con agua. Si el líquido entra en contacto con los ojos buscar ayuda médica adicional.** El líquido que sale despedido de la batería puede causar irritaciones o quemaduras.

MANTENIMIENTO

- **Haga que un técnico calificado realice el mantenimiento de la herramienta eléctrica utilizando solamente piezas de repuesto idénticas.** Esto asegurará que se mantiene la seguridad de la herramienta eléctrica.

REGLAS ESPECIFICAS DE SEGURIDAD

- **Agarre la herramienta por los asideros aislados cuando realice una operación en la que la herramienta de corte pueda entrar en contacto con cables ocultos o con su propio cable.** El contacto con un cable "con corriente" hará que las partes de

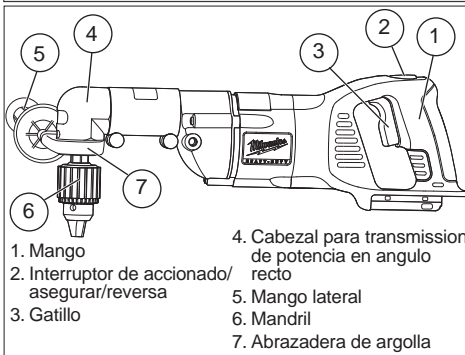
metal expuesto de la herramienta pasen la corriente y produzcan una descarga al operador.

- **Lleve protectores auditivos cuando use la broca de impacto.** La exposición a ruido puede producir la pérdida de la audición.
- **Use los asideros auxiliares que se suministran con la herramienta.** La pérdida de control puede provocar lesiones personales.
- **Mantenga las manos alejadas de todos los bordes cortadores y partes en movimiento.**
- **Mantenga las etiquetas y las placas identificativas.** Tienen información importante. Si no se pueden leer o si faltan, póngase en contacto con un centro de servicio MILWAUKEE para obtener un repuesto gratuito.
- **ADVERTENCIA** Algunas partículas de polvo resultantes del lijado mecánico, aserrado, esmerilado, taladrado y otras actividades relacionadas a la construcción, contienen sustancias químicas que se saben ocasionan cáncer, defectos congénitos u otros daños al aparato reproductivo. A continuación se citan algunos ejemplos de tales sustancias químicas:
 - plomo proveniente de pinturas con base de plomo
 - sílice cristalino proveniente de ladrillos, cemento y otros productos de albañilería y
 - arsénico y cromo provenientes de madera químicamente tratada.
 El riesgo que usted sufre debido a la exposición varía dependiendo de la frecuencia con la que usted realiza estas tareas. Para reducir la exposición a estas sustancias químicas: trabaje en un área bien ventilada, y utilice equipo de seguridad aprobado como, por ejemplo, máscaras contra el polvo que hayan sido específicamente diseñadas para filtrar partículas microscópicas.

SIMBOLOGÍA

n_0 xxxx min. ⁻¹	Revoluciones por minuto sin carga (RPM)
V ---	Volts corriente directa
UL US	Underwriters Laboratories, Inc., Estados Unidos y Canadá

DESCRIPCION FUNCIONAL



ESPECIFICACIONES

Cat. No.	Volts cd	rpm	Capacidades				
			Brocas de Manita	Brocas Sierras	Brocas de Husillo	Brocas de Husillo Larga	Brocas de Autoalimenta-doras
0721-20	28	alta 0-1 000 baja 0-400	38 mm (1-1/2") 38 mm (1-1/2")	89 mm (3-1/2") 114 mm (4-1/2")	19 mm (3/4") 38 mm (1-1/2")	25 mm (1") 38 mm (1-1/2")	25 mm (1") 65 mm (2-9/16")

Utilice solamente las baterías de MILWAUKEE M28™ o V28®.

ENSAMBLAJE

ADVERTENCIA Recargue la batería sólo con el cargador especificado para ella. Para instrucciones específicas sobre cómo cargar, lea el manual del operador suministrado con su cargador y la batería.

ADVERTENCIA Para reducir el riesgo de lesiones, extraiga siempre la batería antes de acoplar o desacoplar accesorios. Utilice únicamente accesorios específicamente recomendados para esta herramienta. El uso de accesorios no recomendados podría resultar peligroso.

Extracción de la batería de la herramienta
Presione los botones de liberación y jale de la batería para sacarla de la herramienta.

Inserción de la batería en la herramienta
Para insertar la batería en la herramienta, deslícela en el cuerpo de la herramienta. Asegúrese de que se asegura bien en su posición.

ADVERTENCIA Para reducir el riesgo de lesiones, use siempre un mango lateral al operar la herramienta. Esta herramienta funciona con torsión alta. Siempre agarre o sujete la herramienta firmemente.

ADVERTENCIA Cuando utilice el taladro con empuñadura en D sin la abrazadera de argolla, no fije la abrazadera de argolla con la empuñadura lateral sujeta en la parte anterior de la caja de engranajes; en su lugar, utilice la empuñadura lateral. Cuando emplee la abrazadera de argolla, no use la extensión.

Para taladro con empuñadura en D con Unidad Impulsora de Angulo Recto:

Con la Unidad Impulsora de Angulo Recto se incluye una abrazadera de argolla, una extensión y una empuñadura lateral. Cuando utilice una unidad impulsora de ángulo recto, sujete la empuñadura lateral a la abrazadera de argolla. Cuando emplee la abrazadera de argolla, no use la extensión. La abrazadera de argolla con la empuñadura lateral sujeta se fija en la unidad impulsora de ángulo recto, puede girar 360° y además quedar bien apretada en cualquier posición.

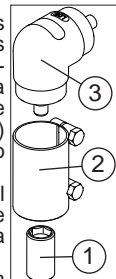
Para taladro con empuñadura en D sin Unidad Impulsora de Angulo Recto:

Cuando utilice el taladro con empuñadura en D sin la unidad impulsora de ángulo recto, retire la abrazadera de argolla con la empuñadura lateral sujeta, y luego retire la empuñadura lateral de la abrazadera de argolla. Sujete la empuñadura lateral a la extensión. La empuñadura lateral puede instalarse en cualquier lado de la herramienta para uso con la mano izquierda o derecha. Para instalar la extensión con la empuñadura lateral sujeta, enrósquela en el adaptador del lado de la herramienta deseado (para uso con la mano izquierda o derecha) y apriete bien.

NOTA: Si cuenta con una abrazadera de argolla adicional con la empuñadura lateral sujeta y una extensión con la empuñadura lateral sujeta, no emplee la extensión con la empuñadura lateral sujeta cuando utilice la unidad impulsora de ángulo recto. Retírela de la herramienta.

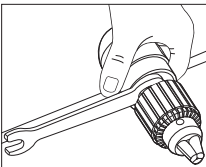
Cómo conectar la unidad impulsora en ángulo de 90° a una taladradora

1. Retire el cabezal portabrocas de la taladradora siguiendo las instrucciones (Véase "Cómo retirar el cabezal portabrocas de la taladradora" más abajo). Deslice el acoplador hexagonal doble (1) sobre la parte hexagonal del husillo de la taladradora. Afloje los tornillos de sujeción en el manguito abrazador (2) y deslice el manguito dentro del collar de la taladradora.
2. Deslice el cabezal de la taladradora en ángulo de 90° (3) en el otro lado del collar y gire el cabezal de impulsión ligeramente en cualquiera de las dos direcciones de modo que el agujero hexagonal en el acoplador engrane con la porción hexagonal del husillo. **NOTA:** Si conecta el cabezal portabrocas de la taladradora al lado donde se lee "low" (bajo), se reducirá la velocidad en una 1/3 parte o el 33%. Si conecta el portabrocas de la taladradora al lado opuesto del cabezal de la taladradora de ángulo de 90°, la velocidad aumentará en un 50% o 1/2.
3. Cuando esté ensamblado, gire el cabezal en ángulo de 90° a la posición deseada y ajuste los tornillos de sujeción para fijar la unidad. Enrosque el cabezal portabrocas sobre el husillo de la unidad



Cómo retirar el cabezal portabrocas de la unidad impulsora en ángulo de 90°

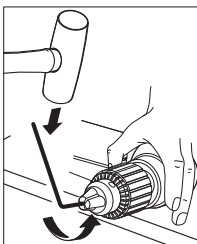
El cabezal portabrocas se puede retirar de la unidad impulsora en ángulo de 90° de la misma manera que se retira de la taladradora; sin embargo, SIEMPRE RETIRE LA UNIDAD IMPULSORA EN ANGULO DE 90° DE LA TALADRADORA



ANTES DE TRATAR DE AFLOJAR EL CABEZAL PORTABROCAS. Esto impedirá que el engranaje de la talaradora sufra algún daño. Use la llave de boca fija que se proporciona para sujetar el husillo de la unidad impulsora en ángulo de 90° antes de tratar de aflojar el cabezal portabrocas.

Cómo retirar el cabezal portabrocas de la taladradora

1. Para retirar el tornillo izquierdo dentro del mandril, saque la batería del instrumento y abra las mordazas del mandril. Inserte una llave hexagonal de mango en T en el tornillo dentro del mandril. Gire el tornillo con la llave hexagonal de mango en T y quite el tornillo. Utilice el mismo tornillo para instalar su mandril nuevo.



2. Para retirar el mandril: Ajuste una llave hexagonal grande al mandril. Coloque el mandril sobre una mesa de trabajo tal y como se muestra. Dele un golpe a la llave hexagonal con un mazo de cabeza blanda para aflojar el mandril. Retire el mandril manualmente.

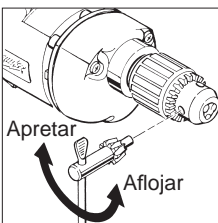
OPERACION

ADVERTENCIA Para reducir el riesgo de lesiones, extraiga siempre la batería antes de acoplar o desacoplar accesorios. Utilice únicamente accesorios específicamente recomendados para esta herramienta. El uso de accesorios no recomendados podría resultar peligroso.

ADVERTENCIA Para reducir el riesgo de lesiones, mantenga ambas manos alejadas de la segueta y de otras piezas móviles. Lleve siempre lentes de seguridad con protectores laterales. Retire siempre la llave del broquero cada vez que termine de usarla.

Instalación de las brocas dentro de un mandril o broquero con llave

1. Abra las uñas del broquero lo suficiente para insertar la broca. Asegúrese que el zanco de la misma y las uñas del broquero están limpios, ya que si hay partículas de suciedad, estas pueden evitar que la broca quede alineada correctamente.



2. Cuando use brocas para taladros, inserte la broca dentro del broquero. Centre la broca en las uñas del broquero y levántela aproximadamente 1,6 mm (1/16") por sobre el fondo del broquero. Apriete las uñas a mano para alinear la broca. Cuando use puntas para atornillador, insértelas lo suficiente para que las uñas del broquero sujeten el zanco de la punta. Apriete las uñas a mano para alinear la punta.
3. Apriete con la llave cada uno de los tres agujeros del mandril, en sentido de un reloj. Apriete firmemente.
4. Para quitar la broca, inserte la llave del broquero en uno de los agujeros del mismo y gírela en sentido opuesto a un reloj.

Uso del interruptor de accionado/asegurar/reversa

El interruptor de control se puede colocar en tres posiciones diferentes. avance, retroceso y bajo seguro:

Para una rotación positiva (en el sentido de las manecillas de un reloj), empuje el interruptor de accion-reversa, hasta la posición de . Para variar la velocidad de taladrado, simplemente aumente o disminuya al presión sobre el gatillo.

Para acción de reversa (en el sentido opuesto a las manecillas de un reloj), empuje el interruptor hasta la posición de . Para variar la velocidad de taladrado, simplemente aumente o disminuya al presión sobre el gatillo.

Para **trabar** el gatillo: Mueva el interruptor al centro. aparecerá sobre el interruptor. El gatillo no funcionará mientras el interruptor esté en la posición trabada. Trabe siempre el gatillo y quite la batería antes de realizar el mantenimiento y cambiar los accesorios. Trabe el gatillo cuando se almacene la herramienta y cuando la misma no se esté usando.



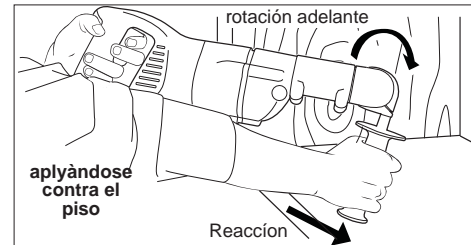
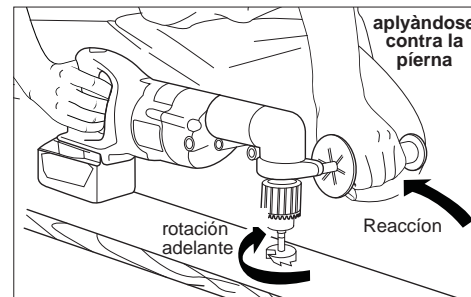
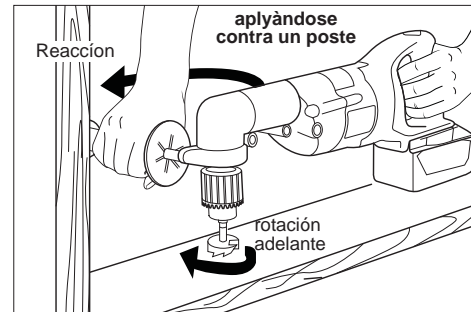
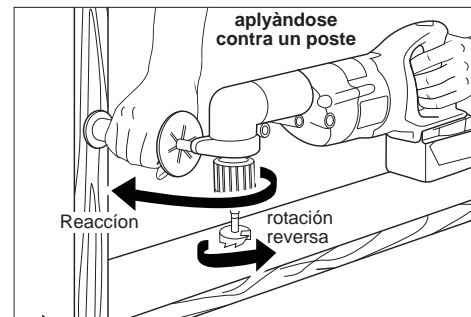
Encendido, parada y control de la velocidad

1. Para **encender** la herramienta, agarre el mango firmemente y apriete el gatillo.
2. Para **cambiar** la velocidad, aumente o disminuya la presión sobre el gatillo. Cuanto más se apriete el gatillo, mayor será la velocidad.
3. Para **parar** la herramienta, suelte el gatillo. Asegúrese de que la broca se detiene por completo antes de soltar la herramienta.

Freno eléctrico

El freno eléctrico se activa cuando se suelta el gatillo, haciendo que la broca se detenga y permitiéndole continuar con la tarea. Generalmente, la broca se detiene en dos segundos. Sin embargo, puede que haya un retraso entre el momento que suelta el gatillo y cuando se activa el freno. Ocasionalmente el freno puede que se salte completamente. Si el freno se salta con frecuencia, la herramienta necesita ser reparada por un centro de mantenimiento autorizado MILWAUKEE.

ADVERTENCIA Para reducir el riesgo de lesión personal y daño a la herramienta, sujétela y apóyela firme y seguramente. Si la broca se atora, la herramienta reaccionará en la dirección contraria a la de la operación. Las brocas se pueden atorar si están mal alineadas o cuando perforan a través de un agujero. Las brocas saca corazones para madera, también se pueden atorar si se encuentran clavos o nudos en su trayecto.



APLICACIONES

Selección de las brocas

Cuando seleccione una broca, asegúrese que sea del tipo adecuado para el trabajo. Para un mejor rendimiento, use siempre brocas afiladas.

Taladrado

1. Antes de taladrar, asegúrese que el material está asegurado firmemente. Utilice un material de apoyo para prevenir dañar el material una vez hecha la operación.
2. Cuando vaya a iniciar una perforación, coloque la broca en la superficie del trabajo y aplique una presión firme. Inicie el perforado a baja velocidad y gradualmente aumentela conforme taladra.
3. Aplique siempre presión en línea con la broca. Use suficiente presión para mantener el taladro perforando, pero no demasiada que pueda frenar el motor.
4. Reduzca la presión en la parte final de la perforación. Con el taladro aun operando, jale la broca fuera de la perforación para evitar dañar el material.

Cómo taladrar en madera, materiales compuestos y plásticos

Al taladrar en madera, materiales compuestos o plásticos, comience lentamente, aumentando gradualmente la velocidad, a medida que taladra. Cuando trabaje con plásticos, use una velocidad baja con un punto de fusión.

ACCESORIOS

ADVERTENCIA Para reducir el riesgo de lesiones, siempre extraiga la batería antes de cambiar o retirar accesorios. Utilice únicamente accesorios específicamente recomendados para esta herramienta. El uso de accesorios no recomendados podría resultar peligroso.

Para una lista completa de accesorios, refiérase a su catálogo MILWAUKEE Electric Tool o visite nuestro sitio en Internet: www.milwaukeetool.com. Para obtener un catálogo, contacte su distribuidor local o uno de los centros de servicio.

MANTENIMIENTO

ADVERTENCIA Para reducir el riesgo de una lesión, desconecte siempre la herramienta antes de darle cualquier mantenimiento. Nunca desarme la herramienta ni trate de hacer modificaciones en el sistema eléctrico de la misma. Acuda siempre a un Centro de Servicio MILWAUKEE para TODAS las reparaciones.

Mantenimiento de la herramienta

Adopte un programa regular de mantenimiento y mantenga sus baterías y cargador en buenas condiciones. Después de 6 meses a un año, dependiendo del uso dado, envíe su herramienta, batería y cargador, al Centro de Servicio MILWAUKEE más cercano para que le hagan:

- Lubricación
- Inspección mecánica y limpieza (engranes, flechas, baleros, carcasa, etc.)
- Inspección eléctrica (batería, cargador, motor)
- Probarla para asegurar una adecuada operación mecánica y eléctrica

Si la herramienta no arranca u opera a toda su potencia con una batería completamente cargada, limpie, con una goma o borrador, los contactos de la batería y de la herramienta. Si aun así la herramienta no trabaja correctamente, regrésela, con el cargador y la batería, a un centro de servicio MILWAUKEE para que sea reparada.

ADVERTENCIA Para reducir el riesgo de una explosión, no queme nunca una batería, aun si está dañada, "muerta" o completamente descargada.

Limpieza

Limpie el polvo y suciedad de las ventilas del cargador y la herramienta. Mantenga los mangos y empuñaduras limpios, secos y libres de aceite o grasa. Use solo jabón neutro y un trapo húmedo para limpiar la herramienta, batería y el cargador, ya que algunas sustancias y solventes limpiadores son dañinos a los plásticos y partes aislantes. Algunos de estos incluyen: gasolina, turpentina, thinner, lacas, thinner para pinturas, solventes para limpieza con cloro, amoníaco y detergentes caseros que tengan amoníaco. Nunca use solventes inflamables o combustibles cerca de una herramienta.

Reparaciones

Si su herramienta, batería o cargador están dañados, envíela al centro de servicio más cercano.

GARANTÍA LIMITADA - E.U.A. Y CANADÁ

Se garantiza al comprador original que ninguna de las herramientas eléctricas MILWAUKEE (incluido el producto inalámbrico, la herramienta y las baterías; consulte las declaraciones distintas y por separado en GARANTÍA LIMITADA DEL PAQUETE DE BATERÍAS INALÁMBRICAS y de las luces de trabajo y del cargador de baterías) presentan defectos en material ni en mano de obra. En un plazo de cinco (5) años* a partir de la fecha de compra y sujeto a ciertas excepciones, MILWAUKEE reparará o reemplazará cualquier parte de una herramienta eléctrica que, luego de ser examinada, MILWAUKEE compruebe que presenta defectos en material o mano de obra, a menos que se indique lo contrario. Se requiere la devolución de la herramienta eléctrica a un centro de mantenimiento de la fábrica MILWAUKEE o a un centro de reparaciones autorizado por MILWAUKEE, con gastos de envío prepagados y asegurados. La devolución del producto debe estar acompañada por un comprobante de compra. Esta garantía no se aplica a los daños que MILWAUKEE establece que fueron ocasionados por reparaciones o intentos de reparación por parte de personal no autorizado por MILWAUKEE, uso indebido, alteraciones, abuso, desgaste y deterioro normal, falta de mantenimiento o accidentes.

*El periodo de garantía de las radios para obras, del puerto de alimentación M12™ y de las carretillas de trabajo industrial Trade Titan™ es de un (1) año a partir de la fecha de compra. El periodo de garantía de la lámpara de trabajo con diodo luminiscente y del foco mejorado con diodo luminiscente es una garantía VITALICIA limitada para el comprador original únicamente. Si durante el uso normal el foco de diodo luminiscente no funciona, la lámpara de trabajo o el foco mejorado se reemplazará sin carga.

*Esta garantía no cubre las clavadoras aéreas, las engrapadoras, el rociador de pintura inalámbrico, el paquete de baterías inalámbrico, los generadores eléctricos portátiles que funcionan con gasolina, herramientas manuales, elevadores (eléctricos, con palanca y con cadenas manuales), camisas de calefacción M12™, productos reacondicionados y productos de prueba y medición. Se encuentran disponibles garantías distintas para estos productos.

No se necesita registro de garantía para obtener la garantía correspondiente de un producto eléctrico MILWAUKEE. La fecha de fabricación del producto se utilizará para determinar el periodo de garantía si no se presenta un comprobante de compra en el momento en que se solicita el servicio de garantía.

LA ACEPTACIÓN DE LOS DERECHOS A REPARACIÓN Y REEMPLAZO EXCLUSIVAMENTE DESCRITOS EN EL PRESENTE DOCUMENTO CONSTITUYE UNA CONDICIÓN DEL CONTRATO POR LA COMPRA DE CADA PRODUCTO MILWAUKEE. SI NO ACEPTA ESTA CONDICIÓN, NO DEBE COMPRAR EL PRODUCTO. MILWAUKEE NO SERÁ EN NINGÚN CASO RESPONSABLE DE DAÑOS INCIDENTALES, ESPECIALES, CONSECUENTES O PUNITIVOS, NI DE COSTOS, HONORARIOS DE ABOGADOS, GASTOS, PÉRDIDAS O DEMORAS SUPUESTAMENTE CAUSADOS COMO CONSECUENCIA DE CUALQUIER DAÑO, FALLA O DEFECTO EN CUALQUIER PRODUCTO, INCLUIDOS, A MODO DE EJEMPLO, RECLAMOS POR PÉRDIDA DE GANANCIAS. ALGUNOS ESTADOS NO PERMITEN LA EXCLUSIÓN O LA LIMITACIÓN DE DAÑOS INCIDENTALES O CONSECUENTES. POR LO TANTO, LAS LIMITACIONES Y EXCLUSIONES ANTERIORES PUEDEN NO APLICARSE PARA USTED. ESTA GARANTÍA ES EXCLUSIVA Y SUSTITUYE A TODAS LAS OTRAS GARANTÍAS EXPRESAS, ESCRITAS U ORALES. SEGÚN LO PERMITA LA LEY, MILWAUKEE SE EXIME DE TODA GARANTÍA IMPLÍCITA, INCLUIDOS, A MODO DE EJEMPLO, TODA GARANTÍA IMPLÍCITA DE COMERCIABILIDAD O IDONEIDAD PARA UN USO O PROPOSITO EN PARTICULAR; EN LA MEDIDA EN QUE DICHA RENUNCIA NO ESTÉ PERMITIDA POR LA LEY, DICHAS GARANTÍAS IMPLÍCITAS ESTÁN LIMITADAS A LA DURACIÓN DE LA GARANTÍA EXPRESA APLICABLE SEGÚN SE DESCRIBE ANTERIORMENTE. ALGUNOS ESTADOS NO PERMITEN LIMITACIONES EN LA DURACIÓN DE UNA GARANTÍA IMPLÍCITA. POR LO TANTO, LA LIMITACIÓN ANTERIOR PUEDE NO APLICARSE PARA USTED. ESTA GARANTÍA LE OTORGA DERECHOS LEGALES ESPECÍFICOS Y TAMBIÉN PUEDE TENER OTROS DERECHOS QUE VARIAN DE ESTADO EN ESTADO.

Esta garantía se aplica a los productos vendidos en los EE. UU. y Canadá.

Consulte 'Service Center Search' (Búsqueda de centro de servicio) en la sección Parts & Services (Piezas y servicios) del sitio web MILWAUKEE, www.milwaukeetool.com o llame al 1.800.SAWDUST (1.800.729.3878) para encontrar su Centro de Servicio de la fábrica de MILWAUKEE más cercano.

PÓLIZA DE GARANTÍA - VALIDA SOLO PARA MÉXICO, AMÉRICA CENTRAL Y EL CARIBE

TECHTRONIC INDUSTRIES, garantiza por 5 años este producto a partir de la fecha original de compra.

Esta garantía cubre cualquier defecto que presenten las piezas, componentes y la mano de obra contenidas en este producto Para América Central y el Caribe se debe confirmar en el Centro de Servicio Autorizado el plazo de la garantía.

Para hacer efectiva la Garantía deberá presentar al Centro de Servicio Autorizado la Póliza de Garantía sellada por el establecimiento en donde adquirió el producto. Si no la tienen, podrá presentar el comprobante de compra original.

Usted puede llamar sin costo al teléfono 01 800 832 1949 o por correo electrónico a la dirección "servicio@ttigroupna.com", para ubicar el Centro de Servicio Autorizado más cercano a su domicilio, en el cual además podrá adquirir partes, componentes, consumibles y accesorios, que usted necesite.

Procedimiento para hacer válida la garantía

Acuda al Centro de Servicio con el producto y la póliza de garantía sellada por el establecimiento donde realizó la compra. Ahí se reemplazará cualquier pieza o componente defectuoso sin cargo alguno para el usuario final. La empresa se hace responsable de los gastos de transportación razonablemente erogados que se deriven del cumplimiento de la presente garantía.

Excepciones

La garantía perderá validez en los siguientes casos:

- a) Cuando el producto se hubiese utilizado en condiciones distintas a las normales.
- b) Cuando el producto no hubiese sido operado de acuerdo con el instructivo de uso que lo acompaña.
- c) Cuando el producto hubiese sido alterado o reparado por personas no autorizadas por TECHTRONIC INDUSTRIES.

Nota: Si el cordón de alimentación es dañado, este debe ser reemplazado por el fabricante o por un Centro de Servicio Autorizado para evitar riesgo.

Modelo: _____

Fecha de Compra: _____

Sello del Distribuidor: _____

CENTRO DE SERVICIO Y ATENCIÓN A CLIENTES
Rafael Buelna No.1. Col. Tezozomoc Mexico, D.F.
Tel. 01 800 832 1949

IMPORTADO Y COMERCIALIZADO POR:
TECHTRONIC INDUSTRIES MEXICO, S.A. DE C.V.
Av. Santa Fe 481 piso 6, Col. Curz Manca.
CP 05349, Cuajimalpa, D.F.

UNITED STATES MILWAUKEE Service

MILWAUKEE prides itself in producing a premium quality product that is NOTHING BUT HEAVY DUTY®. Your satisfaction with our products is very important to us! If you encounter any problems with the operation of this tool, or you would like to locate the factory Service/Sales Support Branch or authorized service station nearest you, please call...

Additionally, we have a nationwide network of authorized Distributors ready to assist you with your tool and accessory needs. Check your "Yellow Pages" phone directory under "Tools-Electric" for the names & addresses of those nearest you or see the 'Where To Buy' section of our website.

1-800-SAWDUST

(1.800.729.3878)

Monday-Friday
7:00 AM - 6:30 PM
Central Time

or visit our website at

www.milwaukeetool.com

For service information, use the 'Service Center Search' icon found in the 'Parts & Service' section.

Contact our Corporate After Sales Service Technical Support about ...

- Technical Questions
- Service/Repair Questions
- Warranty

call: 1-800-SAWDUST
fax: 1.800.638.9582

email: metproductsupport@milwaukeetool.com

Register your tool online at www.milwaukeetool.com and...

- receive important notifications regarding your purchase
- ensure that your tool is protected under the warranty
- become a HEAVY DUTY club member

CANADA - Service MILWAUKEE

MILWAUKEE prides itself in producing a premium quality product that is NOTHING BUT HEAVY DUTY®. Your satisfaction with our products is very important to us!

If you encounter any problems with the operation of this tool, or you would like to locate the factory Service/Sales Support Branch or authorized service station nearest you, please call...

1.800.268.4015

Monday – Friday 7:00 – 4:30 CST
fax: 866.285.9049

Milwaukee Electric Tool (Canada) Ltd

140 Fernstaff Court, Unit 4 18129 111 Avenue NW
Vaughan, ON L4K 3L8 Edmonton, AB T5S 2P2

Additionally, we have a nationwide network of authorized Distributors ready to assist you with your tool and accessory needs. Call 1.800.268.4015 to find the names and addresses of the closest retailers or consult "Where to buy" on our Web site www.milwaukeetool.com

MILWAUKEE est fier de proposer un produit de première qualité NOTHING BUT HEAVY DUTY®. Votre satisfaction est ce qui compte le plus!

En cas de problèmes d'utilisation de l'outil ou pour localiser le centre de service/ventes ou le centre d'entretien le plus proche, appelez le...

1.800.268.4015

Lundi – Vendredi 7:00 – 4:30 CST
fax: 866.285.9049

Milwaukee Electric Tool (Canada) Ltd

140 Fernstaff Court, Unit 4 18129 111 Avenue NW
Vaughan, ON L4K 3L8 Edmonton, AB T5S 2P2

Notre réseau national de distributeurs agréés se tient à votre disposition pour fournir l'aide technique, l'outillage et les accessoires nécessaires. Composez le 1.800.268.4015 pour obtenir les noms et adresses des revendeurs les plus proches ou bien consultez la section «Où acheter» sur notre site web à l'adresse www.milwaukeetool.com

MEXICO - Soporte de Servicio MILWAUKEE

CENTRO DE ATENCIÓN A CLIENTES

Rafael Buelna No. 1, Col Tezozomoc,
Delegación Azcapotzalco, México, D.F.
Telefono sin costo 01 800 832 1949
e-mail: servicio@ttigroupna.com

Adicionalmente, tenemos una red nacional de distribuidores autorizados listos para ayudarle con su herramienta y sus accesorios. Por favor, llame al 01 800 832 1949 para obtener los nombres y direcciones de los más cercanos a usted, o consulte la sección 'Where to buy' (Dónde comprar) de nuestro sitio web en

www.ttigroupmexico.com

Registre su herramienta en línea, en www.ttigroupmexico.com y...

- reciba importantes avisos sobre su compra
- asegúrese de que su herramienta esté protegida por la garantía
- conviértase en integrante de Heavy Duty

MILWAUKEE ELECTRIC TOOL CORPORATION 13135 West Lisbon Road • Brookfield, Wisconsin, U.S.A. 53005

58-14-0721d6

07/11

Printed in China
960931519-02()

Free Manuals Download Website

<http://myh66.com>

<http://usermanuals.us>

<http://www.somanuals.com>

<http://www.4manuals.cc>

<http://www.manual-lib.com>

<http://www.404manual.com>

<http://www.luxmanual.com>

<http://aubethermostatmanual.com>

Golf course search by state

<http://golfingnear.com>

Email search by domain

<http://emailbydomain.com>

Auto manuals search

<http://auto.somanuals.com>

TV manuals search

<http://tv.somanuals.com>