



**OPERATOR'S MANUAL
MANUEL de L'UTILISATEUR
MANUAL del OPERADOR**

**Cat. No.
No de cat.
6515-20**



**18 VOLT SAWZALL
PASSE-PARTOUT SAWZALL 18 V
SIERRAS SABLE-SAWZALLS DE 18V**

*TO REDUCE THE RISK OF INJURY, USER MUST READ OPERATOR'S MANUAL.
AFIN DE RÉDUIRE LE RISQUE DE BLESSURES, L'UTILISATEUR DOIT LIRE LE
MANUEL DE L'UTILISATEUR.
PARA REDUCIR EL RIESGO DE LESIONES, EL USUARIO DEBE LEER EL MANUAL
DEL OPERADOR.*

GENERAL SAFETY RULES-FOR ALL BATTERY OPERATED TOOLS



WARNING

READ ALL INSTRUCTIONS

Failure to follow all instructions listed below may result in electric shock, fire and/or serious injury. The term "power tool" in all of the warnings listed below refers to your mains-operated (corded) power tool or battery-operated (cordless) power tool.

SAVE THESE INSTRUCTIONS

WORK AREA SAFETY

1. **Keep work area clean and well lit.** Cluttered or dark areas invite accidents.
2. **Do not operate power tools in explosive atmospheres, such as in the presence of flammable liquids, gases, or dust.** Power tools create sparks which may ignite the dust or fumes.
3. **Keep children and bystanders away while operating a power tool.** Distractions can cause you to lose control.

ELECTRICAL SAFETY

4. **Power tool plugs must match the outlet. Never modify the plug in any way. Do not use any adapter plugs with earthed (grounded) power tools.** Unmodified plugs and matching outlets will reduce risk of electric shock.
5. **Avoid body contact with earthed or grounded surfaces such as pipes, radiators, ranges and refrigerators.** There is an increased risk of electric shock if your body is earthed or grounded.
6. **Do not expose power tools to rain or wet conditions.** Water entering a power tool will increase the risk of electric shock.
7. **Do not abuse the cord. Never use the cord for carrying, pulling, or unplugging the power tool. Keep cord away from heat, oil, sharp edges, or moving parts.** Damaged or entangled cords increase the risk of electric shock.
8. **When operating a power tool outdoors, use an extension cord suitable for outdoor use.** Use of a cord suitable for outdoor use reduces the risk of electric shock.

PERSONAL SAFETY

9. **Stay alert, watch what you are doing and use common sense when operating a power tool. Do not use a power tool while you are tired or under the influence of drugs, alcohol or medication.** A moment of inattention while operating power tools may result in serious personal injury.
10. **Use safety equipment. Always wear eye protection. Safety equipment such as dust mask, non-skid safety shoes, hard hat, or hearing protection used for appropriate conditions will reduce personal injuries.**
11. **Avoid accidental starting. Ensure the switch is in the off-position before plugging in.** Carrying tools with your finger on the switch or plugging in power tools that have the switch on invites accidents.
12. **Remove any adjusting key or wrench before turning the power tool on.** A wrench or a key left attached to a rotating part of the power tool may result in personal injury.
13. **Do not overreach. Keep proper footing and balance at all times.** This enables better control of the power tool in unexpected situations.
14. **Dress properly. Do not wear loose clothing or jewellery. Keep your hair, clothing and gloves away from moving parts.** Loose clothes, jewellery, or long hair can be caught in moving parts.
15. **If devices are provided for the connection of dust extraction and collection facilities, ensure these are connected and properly used.** Use of these devices can reduce dust-related hazards.

POWER TOOL USE AND CARE

16. **Do not force the power tool. Use the correct power tool for your application.** The correct power tool will do the job better and safer at the rate for which it was designed.
17. **Do not use the power tool if the switch does not turn it on and off.** Any power tool that cannot be controlled with the switch is dangerous and must be repaired.
18. **Disconnect the plug from the power source and/or the battery pack from the power tool before making any adjustments, changing accessories, or storing power tools.** Such preventive safety measures reduce the risk of starting the tool accidentally.
19. **Store idle power tools out of the reach of children and do not allow persons unfamiliar with the power tools or these instructions to operate power tools.** Power tools are dangerous in the hands of untrained users.
20. **Maintain power tools. Check for misalignment or binding of moving parts, breakage of parts and any other condition that may affect the power tool's operation. If damaged, have the power tool repaired before use.** Many accidents are caused by poorly maintained power tools.
21. **Keep cutting tools sharp and clean.** Properly maintained cutting tools with sharp cutting edges are less likely to bind and are easier to control.
22. **Use the power tool, accessories and tool bits etc., in accordance with these instructions and in the manner intended for the particular type of power tool, taking into account the working conditions and the work to be performed.** Use of the power tool for operations different from those intended could result in a hazardous situation.

BATTERY TOOL USE AND CARE

23. **Ensure the switch is in the off position before inserting battery pack.** Inserting the battery pack into power tools that have the switch on invites accidents.
24. **Recharge only with the charger specified by the manufacturer.** A charger that is suitable for one type of battery pack may create a risk of fire when used with another battery pack.

25. **Use power tools only with specifically designated battery packs.** Use of any other battery packs may create a risk of injury and fire.
26. **When battery pack is not in use, keep it away from other metal objects like paper clips, coins, keys, nails, screws, or other small metal objects that can make a connection from one terminal to another.** Shorting the battery terminals together may cause burns or a fire.
27. **Under abusive conditions, liquid may be ejected from the battery, avoid contact. If contact accidentally occurs, flush with water. If liquid contacts eyes, additionally seek medical help.** Liquid ejected from the battery may cause irritation or burns.

SERVICE

28. **Have your power tool serviced by a qualified repair person using only identical replacement parts.** This will ensure that the safety of the power tool is maintained.



SPECIFIC SAFETY RULES

1. **Hold tools by insulated gripping surfaces when performing an operation where the cutting tool may contact hidden wiring or its own cord.** Contact with a "live" wire will make exposed metal parts of the tool "live" and shock the operator.
2. **Use clamps or another practical way to secure and support the workpiece to a stable platform.** Holding the work by hand or against your body leaves it unstable and may lead to loss of control.
3. **Keep hands away from all cutting edges and moving parts.**
4. **Maintain labels and nameplates.** These carry important information. If unreadable or missing, contact a MILWAUKEE service facility for a free replacement.

5. **WARNING:** Some dust created by power sanding, sawing, grinding, drilling, and other construction activities contains chemicals known to cause cancer, birth defects or other reproductive harm. Some examples of these chemicals are:

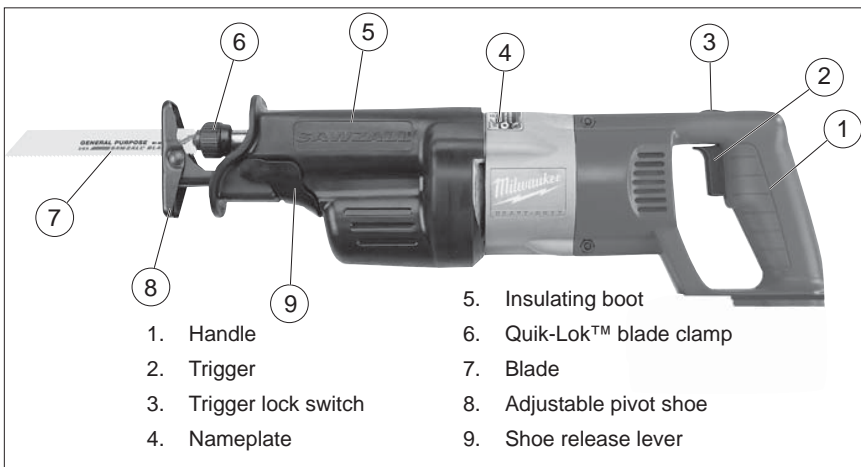
- lead from lead-based paint
- crystalline silica from bricks and cement and other masonry products, and
- arsenic and chromium from chemically-treated lumber.

Your risk from these exposures varies, depending on how often you do this type of work. To reduce your exposure to these chemicals: work in a well ventilated area, and work with approved safety equipment, such as those dust masks that are specially designed to filter out microscopic particles.

Symbology	
	Underwriters Laboratories, Inc., United States and Canada
	Volts Direct Current
$n_0 \text{ XXXXmin.}^{-1}$	No Load Strokes per Minute (SPM)

Specifications			
Catalog No.	Volts DC	Length of Stroke	Strokes per Minute
6515-20	18	1-1/8"	0 - 2700

FUNCTIONAL DESCRIPTION



TOOL ASSEMBLY



WARNING

Recharge only with the charger specified for the battery pack. For specific charging instructions, read the operator's manual supplied with your charger and battery pack.



WARNING

Always lock trigger or remove battery pack before changing or removing accessories. Only use accessories specifically recommended for this tool. Others may be hazardous.

Removing Battery Pack from Tool

To **remove** the battery pack, press in both battery latches and slide the battery pack off of the tool.

Inserting Battery Pack into Tool

The battery pack may feel warm after the charging cycle. If it is warm, maximize the output of the battery by allowing it to cool for a few minutes before inserting it into the tool.

Insert the battery pack by sliding battery pack onto the body of the tool. Insert the battery pack until the battery latches lock.

Selecting a Blade

The Quik-Lok® Blade Clamp can be used with all 1/2" shank universal Sawzall® blades. Use **MILWAUKEE** High Performance Super Sawzall® blades for best performance. When selecting a blade, choose the right type and length.

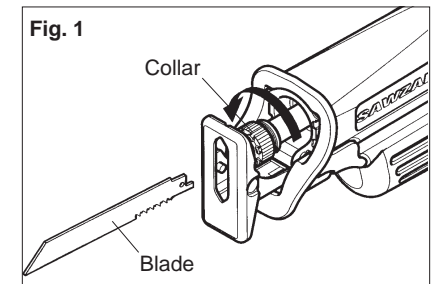
Many types of blades are available for a variety of applications: cutting metal, wood, nail-embedded wood, scroll cutting, roughing-in, and contours.

Many lengths are also available. Choose a length long enough to extend beyond the shoe and your work throughout the stroke. **Do not use blades less than 3-1/2" long since they won't extend beyond the shoe throughout the stroke.**

For best performance and longest life, see "Accessories" to select the best blade for the job.

Installing and Removing Blades Quik-Lok® Blade Clamp

Remove battery pack before changing blades. Make sure the spindle and blade clamp areas are clean. Metal chips and sawdust may prevent the Quik-Lok® Blade Clamp from clamping securely.



1. Depending on the job, the blade may be inserted with the teeth facing up or down. To install a blade, twist collar in the direction of the arrow while inserting the blade into the clamp until the tang butts against the collar.

2. Release collar and the spring loaded mechanism will clamp the blade firmly in place.
3. Twist collar in the opposite direction of the arrow to ensure that the blade is locked into the clamp.
4. Tug on blade to make sure it is securely locked in place.
5. To remove a blade, twist collar in the direction of the arrow while pulling on the blade. Be careful when handling hot blades.

Quik-Lok® Blade Clamp Maintenance

- Periodically clean dust and debris from the Quik-Lok® Blade Clamp with dry compressed air.
- If the collar resists twisting, twist the collar back and forth to shake debris loose.
- Periodically lubricate Quik-Lok® Blade Clamp with a dry lubricant such as graphite.

Removing broken blades from the Quik-Lok® Blade Clamp

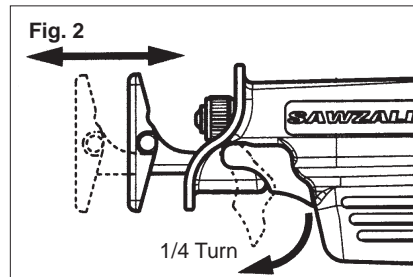
- Remove battery pack before removing blades.
- Broken blades can be removed by the following methods.
- Point the tool downward, twist the collar, and shake the tool up and down (**DO NOT** turn the tool on while your fingers are holding the blade clamp open). The shank of the broken blade should drop out of the clamp.
- If shaking the tool doesn't work...
In most cases, a corner of the broken blade will extend beyond the blade clamp. Simply twist the collar and pull the broken blade out of the clamp by this corner.
- If the broken stub doesn't extend far enough to be grabbed by its corner, use a thin blade with small teeth (such as a metal cutting blade) to hook the blade that is jammed in the clamp while twisting the collar and pull it out.

Adjusting the Pivot Shoe

The shoe can be adjusted forward or backward to six positions to take advantage of the unused portion of the blade or for special jobs requiring low blade clearance.



WARNING
To reduce the risk of injury, be sure the blade always extends beyond the shoe and work throughout the stroke. Blades may shatter if they impact the work or shoe (Fig. 2).



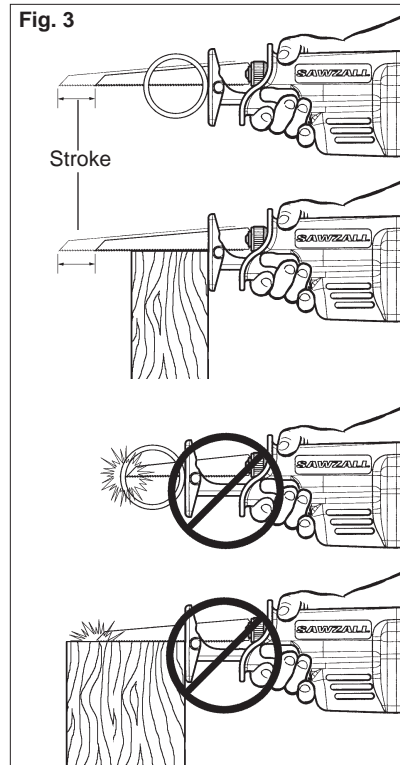
1. To adjust the shoe, pull the shoe release lever down 1/4 turn and slide the shoe forward or backward to the desired position.
2. To lock the shoe in position, push the shoe release lever up.
3. After adjusting the shoe, slowly pull the trigger to be sure the blade always extends beyond the shoe and your workpiece throughout the stroke.

DO NOT OPERATE SAWZALL WITHOUT SHOE. STRIKING THE SPINDLE AGAINST WORKPIECE MAY DAMAGE THE RECIPROCATING MECHANISM.

Impact Protection System

This model is equipped with a unique patented gearing system that provides efficient power transmission and extended life in the most difficult cutting applications. This durable system will absorb impacts, blade lock ups, and motor stalls. This model can be used for extreme cutting applications such as large diameter pipe, thick metal, pallets, and heavy demolition and renovation work as well as for general purpose cutting.

Fig. 3



OPERATION



WARNING
To reduce the risk of injury, keep hands away from the blade and other moving parts. Always wear safety goggles or glasses with side shields.

Starting, Stopping and Controlling Speed

1. To **start** the tool, grasp the handle firmly and pull the trigger.
2. To **stop** the tool, release the trigger. Allow the tool to come to a complete stop before removing the blade from a partial cut or laying the tool down.

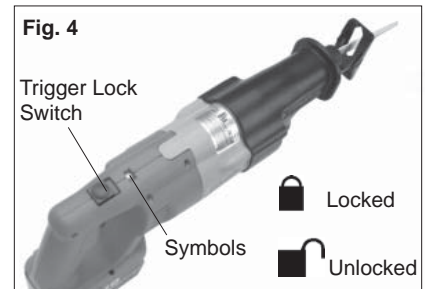
Trigger Speed Control Switch

The Sawzall™ is equipped with a trigger speed control switch. It may be operated at any speed from zero strokes per minute to full speed. Always start tool before blade contacts the workpiece. To vary the speed, simply increase or decrease the pressure on the trigger. The further the trigger is pulled, the greater the speed. To stop the tool, release the trigger and allow the tool to stop completely before removing from a partial cut or before laying the tool down.

Locking the Trigger

To lock the trigger, slide the trigger lock switch until the "locked" symbol is visible. The trigger will not work while the switch is in the locked position. Always lock the trigger and remove the battery pack before performing maintenance and changing accessories. Lock the trigger when storing the tool and when the tool is not in use.

Fig. 4



General Cutting

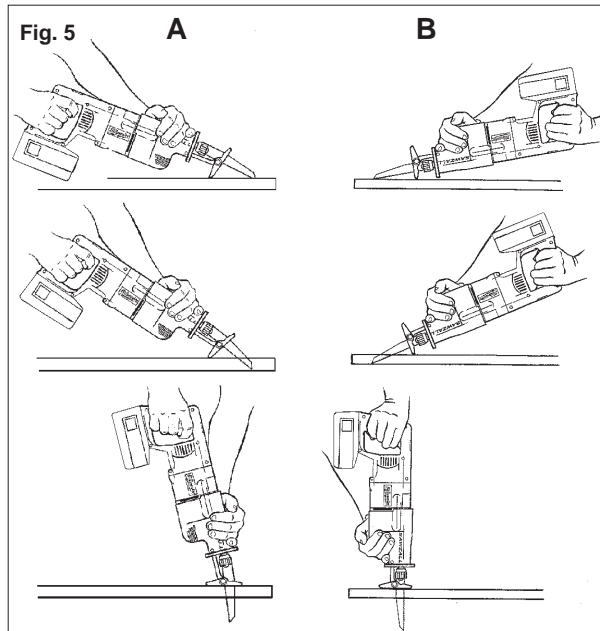
For straight or contour cutting from an edge, line the blade up with your cutting line. Before the blade contacts the workpiece, grasp the handle firmly and pull the trigger. Then guide the tool along your cutting line. Always hold the shoe flat against the workpiece to avoid excessive vibration.

Cutting Metals

Begin cutting at a slow speed, gradually increasing speed as you cut. When cutting into metals or hard materials that can not be cut from an edge, drill a starting hole larger than the widest part of the blade.

Plunge Cutting

Your *MILWAUKEE* Sawzall® is ideal for plunge cutting directly into surfaces that can not be cut from an edge, such as walls or floors. Plunge cutting may be done two ways depending on how the blade is inserted. Column A shows how to plunge cut with the teeth of the blade facing downward. (When attempting to plunge cut in this manner, shoe must be moved all the way out, as shown.) Column B shows how to plunge cut with the teeth of the blade facing upward. Do not plunge cut into metal surfaces (see "Cutting Metals").



WARNING

To reduce the risk of explosion, electric shock and property damage, always check the work area for hidden gas pipes, electrical wires or water pipes when making blind or plunge cuts.

1. Insert the blade into the tool.
With the teeth facing downward, hold the tool as shown in Column A, resting the edge of the shoe on the workpiece.
With the teeth facing upward, hold the tool as shown in Column B, resting the edge of the shoe on the workpiece.
2. With the blade just above the workpiece, pull the trigger. Using the edge of the shoe as a pivot, lower the blade into the workpiece, as shown.
3. As the blade starts cutting, raise the handle of the tool slowly until the shoe rests firmly on the workpiece. Then guide the tool along the cutting line for the desired cut.

NOTE: To make plunge cutting easier, use a heavy gauge blade and install the blade with the teeth facing upward as shown in Column B.

MAINTENANCE

WARNING

To reduce the risk of injury, always unplug the charger and remove the battery pack from the charger or tool before performing any maintenance. Never disassemble the tool, battery pack or charger. Contact a *MILWAUKEE* service facility for ALL repairs.

Keep your tool, battery pack and charger in good repair by adopting a regular maintenance program. After six months to one year, depending on use, return the tool, battery pack and charger to a *MILWAUKEE* service facility for:

- Lubrication
- Mechanical inspection and cleaning (gears, spindles, bearings, housing, etc.)
- Electrical inspection (battery pack, charger, motor)
- Testing to assure proper mechanical and electrical operation

Maintaining Tool

If the tool does not start or operate at full power with a fully charged battery pack, clean the contacts on the battery pack. If the tool still does not work properly, return the tool, charger and battery pack, to a *MILWAUKEE* service facility for repairs.

WARNING

To reduce the risk of personal injury and damage, never immerse your tool, battery pack or charger in liquid or allow a liquid to flow inside them.

Cleaning

Clean dust and debris from charger and tool vents. Keep tool handles clean, dry and free of oil or grease. Use only mild soap and a damp cloth to clean the tool, battery pack and charger since certain cleaning agents and solvents are harmful to plastics and other insulated parts. Some of these include gasoline, turpentine, lacquer thinner, paint thinner, chlorinated cleaning solvents, ammonia and household detergents containing ammonia. Never use flammable or combustible solvents around tools.

Repairs

For repairs, return the tool, battery pack and charger to the nearest service center listed on the back cover of this operator's manual.

ACCESSORIES

WARNING

Always remove battery pack before changing or removing accessories. Only use accessories specifically recommended for this tool. Others may be hazardous.

For a complete listing of accessories refer to your *MILWAUKEE* Electric Tool catalog or go on-line to www.milwaukeetool.com. To obtain a catalog, contact your local distributor or a service center listed on the back cover of this operator's manual.

See Pages 30 & 31 for a listing of Super Sawzall® Blades.

FIVE YEAR TOOL LIMITED WARRANTY

Every MILWAUKEE electric power tool (including battery charger) is warranted to the original purchaser only to be free from defects in material and workmanship. Subject to certain exceptions, MILWAUKEE will repair or replace any part on a electric power tool which, after examination, is determined by MILWAUKEE to be defective in material or workmanship for a period of five (5) years* after the date of purchase. Return the electric power tool and a copy of proof of purchase to a MILWAUKEE factory Service/Sales Support Branch location or MILWAUKEE Authorized Service Station, freight prepaid and insured, are requested for this warranty to be effective. This warranty does not apply to damage that MILWAUKEE determines to be from repairs made or attempted by anyone other than MILWAUKEE authorized personnel, misuse, alterations, abuse, normal wear and tear, lack of maintenance, or accidents.

* The warranty period for Hoists (lever, hand chain, & electric chain hoists), all Ni-CD battery packs, Work Lights (cordless flashlights), Job Site Radios, and Trade Titan™ Industrial Work Carts is one (1) year from the date of purchase. *The warranty period for Li-Ion battery packs that do not contain V™-technology – 4.0 volts through 18.0 volts - is two (2) years from the date of purchase.

*There is a separate warranty for V™-technology Li-Ion Battery Packs V™18 volts and above that accompany V™-technology cordless power tools:

*Every MILWAUKEE V™-technology Li-Ion Battery Pack 18 volts or above is covered by an initial 1000 Charges/2 Years free replacement warranty. This means that for the earlier of the first 1000 charges or two (2) years from the date of purchase/first charge, a replacement battery will be provided to the customer for any defective battery free of charge. Thereafter, customers will also receive an additional warranty on a pro rata basis up to the earlier of the first 2000 charges or five (5) Years from the date of purchase/first charge. This means that every customer gets an additional 1000 charges or three (3) years of pro rata warranty on the V™-technology Li-Ion Battery Pack 18 volts or above depending upon the amount of use. During this additional warranty period, the customer pays for only the useable service received over and above the first 1000 Charges/2 years, based on the date of first charge and number of charges found on the battery pack via Milwaukee's V™-technology Service Reader.

Warranty Registration is not necessary to obtain the applicable warranty on a MILWAUKEE product. However, proof of purchase in the form of a sales receipt or other information deemed sufficient by MILWAUKEE, is requested.

ACCEPTANCE OF THE EXCLUSIVE REPAIR AND REPLACEMENT REMEDIES DESCRIBED HEREIN IS A CONDITION OF THE CONTRACT FOR THE PURCHASE OF EVERY MILWAUKEE PRODUCT. IF YOU DO NOT AGREE TO THIS CONDITION, YOU SHOULD NOT PURCHASE THE PRODUCT. IN NO EVENT SHALL MILWAUKEE BE LIABLE FOR ANY INCIDENTAL, SPECIAL, CONSEQUENTIAL OR PUNITIVE DAMAGES, OR FOR ANY COSTS, ATTORNEY FEES, EXPENSES, LOSSES OR DELAYS ALLEGED TO BE AS A CONSEQUENCE OF ANY DAMAGE TO, FAILURE OF, OR DEFECT IN ANY PRODUCT INCLUDING, BUT NOT LIMITED TO, ANY CLAIMS FOR LOSS OF PROFITS. THIS WARRANTY IS EXCLUSIVE AND IN LIEU OF ALL OTHER WARRANTIES OR CONDITIONS, WRITTEN OR ORAL, EXPRESSED OR IMPLIED. WITHOUT LIMITING THE GENERALITY OF THE FOREGOING, MILWAUKEE DISCLAIMS ANY IMPLIED WARRANTY OF MERCHANTABILITY OR FITNESS FOR A PARTICULAR USE OR PURPOSE, AND ALL OTHER WARRANTIES.

This warranty applies to product sold in the U.S.A., Canada and Mexico only.

RÈGLES GÉNÉRALES DE SÉCURITÉ POUR LES OUTILS ALIMENTÉS PAR BATTERIE



AVERTISSEMENT

LIRE SOIGNEUSEMENT TOUTES LES INSTRUCTIONS

Le non respect des instructions ci-après peut entraîner des chocs électriques, des incendies et/ou des blessures graves. Le terme «outil électrique» figurant dans les avertissements ci-dessous renvoie à l'outil électrique à alimentation par le réseau (à cordon) ou par batterie (sans fil).

CONSERVER CES INSTRUCTIONS

SÉCURITÉ DU LIEU DE TRAVAIL

1. **Maintenir la zone de travail propre et bien éclairée.** Les zones encombrées ou mal éclairées sont favorables aux accidents.
2. **Ne pas utiliser d'outil électrique dans une atmosphère explosive, telle qu'en en présence de liquides, de gaz ou de poussières inflammables.** Les outils électriques génèrent des étincelles qui peuvent enflammer les poussières ou les fumées.
3. **Tenir les enfants et les personnes non autorisées à l'écart pendant le fonctionnement d'un outil électrique.** Un manque d'attention de l'opérateur risque de lui faire perdre le contrôle de l'outil.

SÉCURITÉ ÉLECTRIQUE

4. **La fiche de l'outil électrique doit correspondre à la prise d'alimentation. Ne jamais modifier la fiche d'une manière quelconque. Ne pas utiliser d'adaptateur avec les outils électriques mis à la terre (à la masse).** Des fiches non modifiées et des prises d'alimentation assorties réduisent le risque de choc électrique.
5. **Éviter tout contact corporel avec des surfaces reliées à la masse ou à la terre telles que tuyaux, radiateurs, cuisinières et réfrigérateurs.** Un risque de choc électrique plus élevé existe si le corps est relié à la masse ou à la terre.
6. **Ne pas exposer les outils électriques à la pluie ou à l'humidité.** Le risque de choc électrique augmente si de l'eau s'infiltré dans un outil électrique.

7. **Prendre soin du cordon. Ne jamais utiliser le cordon pour transporter, tirer ou débrancher l'outil électrique. Tenir le cordon à l'écart de la chaleur, des huiles, des arêtes coupantes ou des pièces en mouvement.** Un cordon endommagé ou emmêlé présente un risque accru de choc électrique.
8. **Se procurer un cordon d'alimentation approprié en cas d'utilisation d'un outil électrique à l'extérieur.** L'utilisation d'un cordon d'alimentation pour usage extérieur réduit le risque de choc électrique.

SÉCURITÉ INDIVIDUELLE

9. **Être sur ses gardes, être attentif et faire preuve de bon sens en utilisant un outil électrique. Ne pas utiliser un outil électrique en cas de fatigue ou sous l'influence de drogues, d'alcool ou de médicaments.** Un instant d'inattention lors de l'utilisation d'un outil électrique peut entraîner des blessures graves.
10. **Utiliser un équipement de sécurité. Toujours porter des lunettes de protection.** Un équipement de sécurité comprenant masque anti-poussière, chaussures de sécurité anti-dérapantes, casque ou dispositif de protection anti-bruit peut, dans les circonstances appropriées, réduire le risque de blessure.
11. **Éviter tout démarrage accidentel de l'outil. S'assurer que le commutateur est en position OFF (Arrêt) avant de brancher l'outil.** Le port de l'outil avec un doigt sur le commutateur ou son branchement avec le commutateur en position ON (Marche) sont favorables aux accidents.

12. **Retirer toute clé de réglage avant de mettre l'outil sous tension.** Une clé laissée attachée sur une pièce mobile de l'outil électrique peut entraîner des blessures.
13. **Ne pas travailler à bout de bras. Bien garder un bon équilibre à tout instant.** Ceci permet de mieux préserver la maîtrise de l'outil électrique dans des situations imprévues.
14. **Porter des vêtements adéquats. Ne pas porter de vêtements amples ni de bijoux. Ne pas approcher les cheveux, vêtements et gants des pièces en mouvement.** Les vêtements amples, les bijoux ou les cheveux longs risquent d'être happés par les pièces en mouvement.
15. **Si des dispositifs sont prévus pour l'extraction et la récupération des poussières, vérifier qu'ils sont connectés et utilisés correctement.** L'utilisation de ces dispositifs peut réduire les risques liés aux poussières.

UTILISATION ET ENTRETIEN DE L'OUTIL ÉLECTRIQUE

16. **Ne pas forcer l'outil électrique. Utiliser l'outil électrique approprié à l'application considérée.** L'outil électrique adapté au projet considéré produira de meilleurs résultats, dans des conditions de sécurité meilleures, à la vitesse pour laquelle il a été conçu.
17. **Ne pas utiliser l'outil électrique si le commutateur ne le met pas sous ou hors tension.** Tout outil électrique dont le commutateur de marche-arrêt est inopérant est dangereux et doit être réparé.
18. **Débrancher la fiche de la prise d'alimentation et/ou la batterie de l'outil électrique avant d'effectuer des réglages, de changer d'accessoires ou de ranger l'outil.** De telles mesures de sécurité préventive réduisent le risque de mettre l'outil en marche accidentellement.
19. **Ranger les outils électriques inutilisés hors de la portée des enfants et ne pas laisser des personnes qui connaissent mal les outils électriques ou ces instructions utiliser ces outils.** Les outils électriques sont dangereux dans les mains d'utilisateurs non formés à leur usage.

20. **Entretien des outils électriques. S'assurer de l'absence de tout désalignement ou de grippage des pièces mobiles, de toute rupture de pièce ou de toute autre condition qui pourrait affecter le bon fonctionnement de l'outil électrique. En cas de dommages, faire réparer l'outil avant de l'utiliser de nouveau.** Les outils électriques mal entretenus sont à la source de nombreux accidents.
21. **Garder les outils de coupe affûtés et propres.** Les outils de coupe correctement entretenus et bien affûtés risquent moins de se gripper et sont plus faciles à manier.
22. **Utiliser cet outil électrique, les accessoires, les mèches, etc. conformément à ces instructions et de la façon prévue pour ce type particulier d'outil électrique, tout en prenant en compte les conditions de travail et le type de projet considérés.** L'utilisation de cet outil électrique pour un usage autre que l'usage prévu peut créer des situations dangereuses.

UTILISATION ET ENTRETIEN DE LA BATTERIE

23. **S'assurer que le commutateur est en position OFF (Arrêt) avant d'insérer la batterie.** L'insertion de la batterie dans un outil électrique dont le commutateur est en position ON (Marche) est favorable aux accidents.
24. **Ne recharger la batterie qu'avec le chargeur spécifié par le fabricant.** Un chargeur qui convient à un type de batterie peut créer un risque d'incendie s'il est utilisé avec un autre type de batterie.
25. **N'utiliser les outils électriques qu'avec les batteries spécialement conçues pour eux.** L'utilisation de batteries d'autres marques peut créer un risque de blessure et d'incendie.
26. **Lorsque la batterie est hors service, la ranger à l'écart d'autres objets métalliques tels que trombones, pièces de monnaie, clés, clous, vis et autres petits objets métalliques qui peuvent établir une connexion d'une borne à l'autre.** Un court-circuit aux bornes de la batterie peut provoquer des brûlures ou un incendie.

27. **Du liquide peut être éjecté de la batterie en cas de manutention abusive ; éviter tout contact. En cas de contact accidentel avec les projections, rincer à l'eau. En cas de contact avec les yeux, consulter un médecin.** Le liquide s'échappant de la batterie peut provoquer des irritations ou des brûlures.

ENTRETIEN

28. **Faire effectuer l'entretien de l'outil électrique par un technicien qualifié qui n'utilisera que des pièces de rechange identiques.** La sécurité d'utilisation de l'outil en sera préservée.

RÈGLES DE SÉCURITÉ SPÉCIFIQUES



1. **Tenir l'outil par les surfaces de prise isolées si, au cours des travaux, l'outil de coupe risque d'entrer en contact avec des fils cachés ou avec son propre cordon.** Le contact avec un fil sous tension met les parties métalliques exposées de l'outil sous tension, ce qui infligera un choc électrique à l'opérateur.
2. **Utiliser des pinces ou d'autres moyens appropriés pour fixer et soutenir la pièce de travail sur une plate-forme stable.** Tenir la pièce à la main ou contre soi la rend instable et risque d'entraîner une perte de contrôle.

3. **Tenez les mains à l'écart des arêtes tranchantes et des pièces en mouvement.**
4. **Maintenir en l'état les étiquettes et les plaques d'identification.** Des informations importantes y figurent. Si elles sont illisibles ou manquantes, contacter un centre de services et d'entretien MILWAUKEE pour un remplacement gratuit.

5. **AVERTISSEMENT!** Certaines poussières générées par les activités de ponçage, de coupe, de rectification, de perçage et d'autres activités de construction contiennent des substances considérées être la cause de malformations congénitales et de troubles de l'appareil reproducteur. Parmi ces substances figurent:
 - le plomb contenu dans les peintures à base de plomb;
 - la silice cristalline des briques, du ciment et d'autres matériaux de maçonnerie, ainsi que
 - l'arsenic et le chrome des sciages traités chimiquement.

Les risques encourus par l'opérateur envers ces expositions varient en fonction de la fréquence de ce type de travail. Pour réduire l'exposition à ces substances chimiques, l'opérateur doit: travailler dans une zone bien ventilée et porter l'équipement de sécurité approprié, tel qu'un masque anti-poussière spécialement conçu pour filtrer les particules microscopiques.

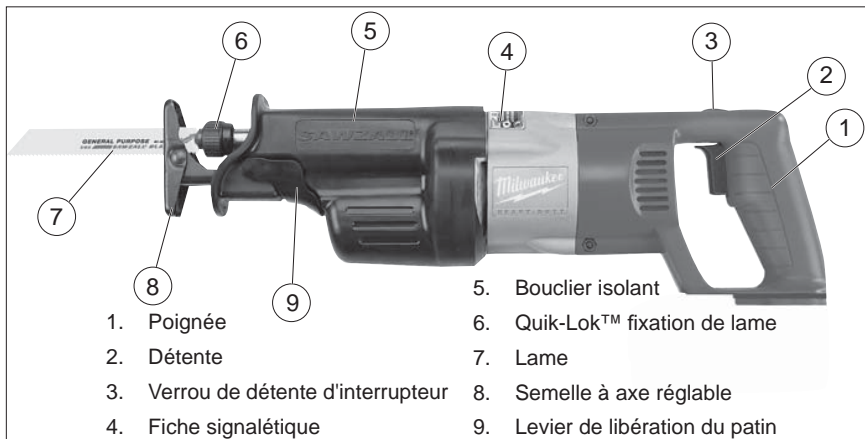
Pictographie

	Underwriters Laboratories, Inc., États-Unis et Canada
	Tension CD seul
$n_0 \text{ XXXXmin.}^{-1}$	Cycles par minute à vide (SPM)

Spécifications

No de Cat.	Volts cd	Longueur de course	Cycles par minute
6515-20	18	29 mm (1-1/8")	0 - 2 700

DESCRIPTION FONCTIONNELLE



- | | |
|-------------------------------------|----------------------------------|
| 1. Poignée | 5. Bouclier isolant |
| 2. Détente | 6. Quik-Lok™ fixation de lame |
| 3. Verrou de détente d'interrupteur | 7. Lame |
| 4. Fiche signalétique | 8. Semelle à axe réglable |
| | 9. Levier de libération du patin |

MONTAGE DE L'OUTIL



AVERTISSEMENT

Ne recharger la batterie qu'avec le chargeur indiqué pour la batterie. Pour les instructions de charge spécifiques, lire le manuel de l'opérateur fourni avec le chargeur et la batterie.



AVERTISSEMENT

Verrouillez toujours la détente ou retirez la batterie avant de changer ou d'enlever les accessoires. Utilisez les accessoires spécifiquement recommandés pour cet outil, l'utilisation d'autres accessoires pourrait comporter des risques.

Retrait de la batterie de l'outil

Appuyez sur les boutons de dégagement et retirez la batterie de l'outil.

Insertion de la batterie dans l'outil

La batterie pourra rester encore chaude au toucher après le cycle de recharge. Pour en maximiser le rendement, laissez-la refroidir durant quelques minutes avant de l'insérer dans l'outil.

Pour insérer la batterie dans l'outil, enfoncez les boutons de dégagement et glissez-la dans l'outil.

Choix d'une lame

La fixation de lame Quik-Lok® peut être employée avec les lames Sawzall® universelles à tige 13 mm (1/2"). Pour un meilleur résultat, utilisez les lames MILWAUKEE Super Sawzall® à haut rendement. Lorsque vous choisissez une lame assurez-vous que le calibre et la longueur de la lame sont adéquats.

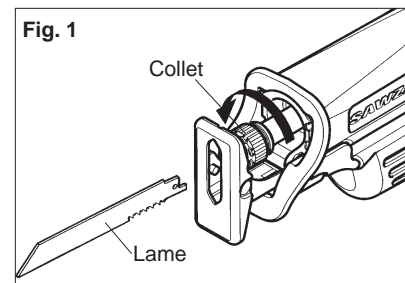
Plusieurs genres de lames sont à votre disposition pour effectuer des tâches spécifiques : taille du métal, bois, bois cloué, découpage, dégrossissage et profilage.

Les lames sont offertes en plusieurs longueurs. Optez pour une lame assez longue pour que sa course excède la semelle de l'outil et l'épaisseur du matériau à chaque cycle. **N'utilisez pas de lames moins longues que 89 mm (3-1/2"), car leur course n'excédera pas la semelle de l'outil tout au long du cycle.**

Pour de meilleurs résultats et une durabilité accrue, consultez la rubrique "Accessoires" pour le choix d'une lame qui convienne à votre tâche.

Installation des lames Fixation de lame Quik-Lok

Retirez la batterie avant de changer la lame. Assurez-vous que le pivot et la fixation de lame sont propres. Des rognures et bran de scie peuvent empêcher la fixation Quik-Lok® de s'enclencher correctement.



1. Selon la tâche à accomplir, la lame peut être installée avec les dents vers le haut ou vers le bas. Pour installer une lame, tournez le collet dans le sens de la flèche et introduisez la lame dans la fixation jusqu'à ce que le tenon s'arrête sur le collet.
2. Relâchez le collet et le mécanisme à ressort va enclencher la lame fermement en place.
3. Tournez le collet dans le sens opposé à la flèche pour assurer l'enclenchement de la lame dans la fixation.
4. Tirez sur la lame pour vous assurer qu'elle est bien verrouillée en place.
5. Pour retirer une lame, tournez le collet dans le sens de la flèche pour retirer la lame. Soyez prudent avec les lames brûlantes.

Entretien de la fixation de lame Quik-Lok®

- Nettoyez périodiquement la poussière et les débris de la fixation de lame Quik-Lok® à l'aide d'un jet d'air comprimé sec.
- Si le collet résiste à la torsion, tournez le collet dans un sens puis dans l'autre pour chasser les débris.
- Lubrifiez périodiquement la fixation de lame Quik-Lok® avec un lubrifiant sec tel le graphite.

Retrait d'une lame brisée de la fixation de lame Quik-Lok®

Retirez la batterie avant d'enlever la lame brisée.

- Les lames brisées peuvent être retirées selon les méthodes ci-dessous.
- Pointez l'outil vers le bas, tournez le collet et secouez l'outil de haut en bas (**NE METTEZ PAS** l'outil en marche pendant que vos doigts maintiennent la fixation de lame en position ouverte). La tige de la lame brisée devrait s'éjecter de la fixation.
- Si vous n'obtenez pas de résultats en secouant l'outil...

Dans la plupart des cas, un morceau de la lame brisée dépassera de la fixation. Alors, tournez le collet et tirez le fragment de lame hors de la fixation.

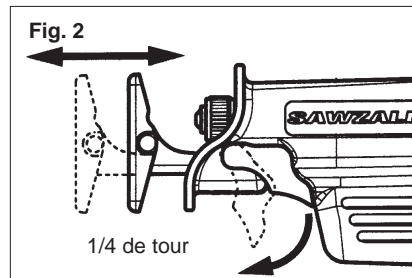
- Si le fragment de la lame brisée ne dépasse pas assez de la fixation pour être agrippé, prenez une lame mince à petites dents (une lame à métal par exemple) et servez-vous-en comme grappin pour retirer la lame bloquée dans la fixation tandis que vous tournez le collet.

Réglage de la semelle

La semelle peut être ajustée à trois positions vers l'avant ou l'arrière, afin de permettre l'utilisation d'une portion inutilisée de la lame lors de travaux spécifiques exigeant peu de jeu de lame.

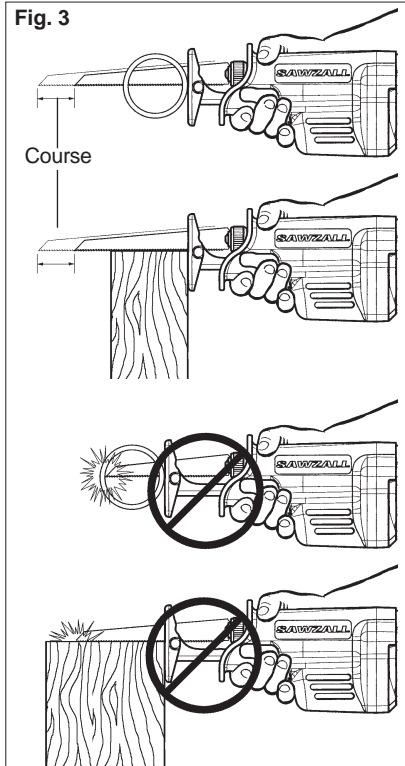
AVERTISSEMENT

Pour minimiser les risques de blessures assurez-vous que la course de la lame excède la semelle et l'épaisseur du matériau tout au long du cycle de coupe. La lame pourrait voler en éclat si elle vient en contact avec la semelle ou le matériau (Fig. 2).



1. Pour régler le patin, abaissez le levier de libération du patin d'1/4 de tour et faire glisser le patin vers l'avant ou vers l'arrière à la position souhaitée.
2. Pour verrouiller le patin en position, tirer sur le levier de libération du patin.
3. Après avoir réglé le patin, appuyer lentement sur la détente pour vérifier que la lame s'étend toujours au-delà du patin et de la pièce à travailler sur toute la course.

NE PAS UTILISER L'OUTIL SAWZALL SANS PATIN. FRAPPER L'AXE DE LA LAME CONTRE LA PIÈCE À TRAVAILLER PEUT ENDOMMAGER LE MÉCANISME À MOUVEMENT ALTERNATIF.



Système de protection anti-choc

Ce modèle est doté d'un système d'engrenages unique et breveté qui maintient une puissance d'entraînement efficace et prolonge la durée de l'outil dans les conditions de coupes les plus difficiles. Ce système robuste résiste aux impacts, coincements de lame et pannes de moteur. Tout en servant à des tâches générales, ce modèle peut aussi être utilisé pour les coupes extrêmement difficiles de tuyaux de grand diamètre, métaux épais, palettes et travaux lourds de démolition et de rénovation.

AVERTISSEMENT

Pour minimiser les risques de blessures, N'utilisez pas l'outil alors que le bouton de réglage de poignée est abaissé ou que la poignée n'est pas correctement enclenchée. Toujours porter des lunettes à coques ou des lunettes de protection avec écrans latéraux.

Démarrage, arrêt et contrôle de la vitesse

1. Pour **mettre** l'outil en marche, empoignez fermement l'outil et appuyez sur la détente d'interrupteur.
2. Pour **arrêter** l'outil, relâchez la détente. Laissez l'outil s'arrêter complètement avant d'en retirer la lame d'une coupe partielle ou de le déposer.

Commande d'Interrupteur à détente

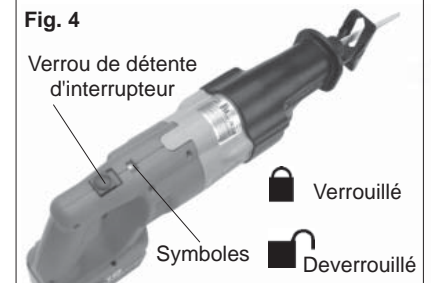
Les passe-partout Sawzalls® sont pourvus d'une commande d'interrupteur à vitesse variable. Ils peuvent fonctionner à n'importe quelle vitesse entre la vitesse nulle et le plein régime. Mettez toujours l'outil en marche avant de commencer une coupe. Pour varier la vitesse de coupe, il suffit simplement d'augmenter ou de réduire la pression du doigt sur la détente. Plus la détente est enfoncée, plus la vitesse de coupe est grande. Pour arrêter l'outil, relâchez la détente et laissez l'outil s'arrêter complètement avant de le retirer d'une entaille ou de le déposer.

Verrouillage de la détente

Pour verrouiller la détente, poussez le verrou de détente pour que le symbole de verrouillage apparaisse. La détente ne pourra être actionnée tant que le verrou sera en position de verrouillage. Verrouillez toujours la détente et retirez la batterie avant de changer les accessoires ou de procéder à la maintenance de l'outil. Verrouillez la détente lorsque vous rangez l'outil ou qu'il ne sert pas.

MANIEMENT

Fig. 4



Coupe, en général

Pour des coupes droites ou profilées à partir du bord d'une pièce, alignez la lame sur la ligne de coupe. Avant que la lame ne touche le matériau, empoignez fermement l'outil et appuyez sur la détente. Entamez la coupe en suivant le tracé. Maintenez toujours la semelle de l'outil sur la pièce afin d'éviter l'excès de vibration.

Coupe des métaux

Commencez à couper à basse vitesse et continuez la coupe en augmentant la vitesse graduellement. Lorsque vous taillez dans un métal dur et que vous ne pouvez commencer la coupe à partir du bord de la pièce, percez un trou de départ plus grand que la partie la plus large de la lame.

Coupes en plongée

Votre passe-partout MILWAUKEE Sawzall® est l'outil idéal pour effectuer des coupes en plongée directement dans les surfaces, lorsqu'il est impossible d'entamer une coupe à partir du bord, dans le cas de murs ou de planchers par exemple. La coupe en plongée peut s'effectuer de deux façons, dépendant de la position de la lame. La vignette de la colonne A démontre comment effectuer une coupe en plongée avec les dents de lame orientées vers le bas. Dans la colonne B, il est démontré comment effectuer une coupe en plongée avec les dents de lame orientées vers le haut. Ne faites pas une coupe en plongée dans une surface métallique (voir «Coupe des métaux»).



AVERTISSEMENT

Pour minimiser les risques d'explosion, choc électrique et dommages à vos biens, lorsque vous effectuez une coupe en plongée, inspectez toujours l'aire de coupe pour y déceler la présence de fils électriques ou de canalisations.

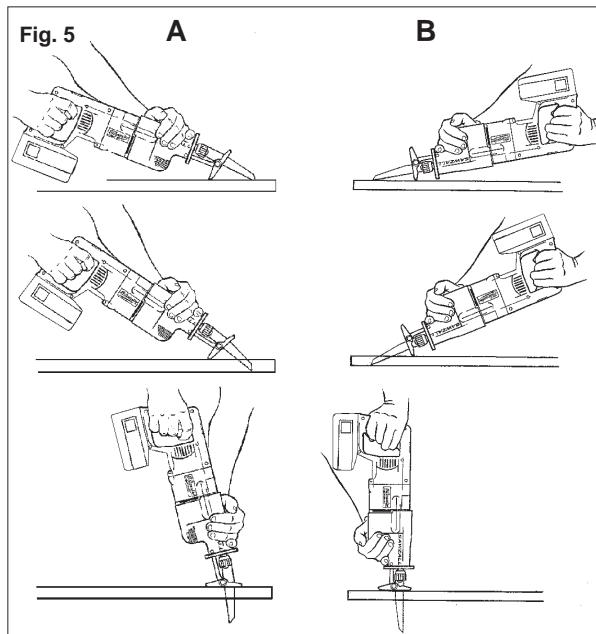
1. Insérez la lame dans l'outil.

Si vous avez inséré la lame avec les dents orientées vers le bas, tenez l'outil tel qu'indiqué dans la colonne A, laissant le rebord de la semelle de l'outil reposer sur la pièce à tailler.

Si vous avez inséré la lame avec les dents orientées vers le haut, tenez l'outil tel qu'indiqué dans la colonne B, laissant le rebord de la semelle reposer sur la pièce, tel que démontré.

2. Maintenez la lame juste au-dessus de la surface et appuyez sur la détente. En vous servant du rebord de la semelle comme point d'appui, abaissez la lame dans la pièce à tailler, tel qu'indiqué.
3. À mesure que la lame s'enfonce dans la pièce, redressez lentement la poignée de l'outil jusqu'à ce que la semelle repose entièrement sur la surface de la pièce à tailler. Ensuite, guidez l'outil sur la ligne de coupe pour obtenir la coupe désirée.

N.B. Pour faciliter la coupe en plongée, utilisez une lame de calibre lourd que vous installerez avec les dents orientées vers le haut, tel que démontré dans la colonne B.



MAINTENANCE



AVERTISSEMENT

Pour minimiser les risques de blessures corporelles, débranchez le chargeur et retirez la batterie du chargeur ou de l'outil avant d'y effectuer des travaux d'entretien. Ne démontez jamais l'outil, la batterie ou le chargeur. Pour toute réparation, consultez un centre de service MILWAUKEE accrédité.

Gardez l'outil, la batterie et le chargeur en bon état en adoptant un programme d'entretien ponctuel. Après une période de six mois à un an, selon l'utilisation, renvoyez l'outil, la batterie et le chargeur à un centre de service MILWAUKEE accrédité pour les services suivants:

- Lubrification
- Inspection et nettoyage de la mécanique (engrenages, pivots, coussinets, boîtier etc.)
- Inspection électrique (batterie, chargeur, moteur)
- Vérification du fonctionnement électromécanique

Entretien de l'outil

Si l'outil ne démarre pas ou ne fonctionne pas à pleine puissance alors qu'il est branché sur une batterie complètement chargée, nettoyez les points de contact entre la batterie et l'outil. Si l'outil ne fonctionne toujours pas correctement, renvoyez l'outil, le chargeur et la batterie à un centre de service MILWAUKEE accrédité, afin qu'on en effectue la réparation (voir "Réparations").



AVERTISSEMENT

Pour minimiser les risques de blessures ou de dommages à l'outil, n'immergez jamais l'outil, la batterie ou le chargeur et ne laissez pas de liquide s'y infiltrer.

Nettoyage

Débarassez les événements du chargeur et de l'outil des débris et de la poussière. Gardez les poignées de l'outil propres, à sec et exemptes d'huile ou de graisse. Le nettoyage de l'outil, du chargeur et de la batterie doit se faire avec un linge humide et un savon doux. Certains nettoyants tels l'essence, la térébenthine, les diluants à laque ou à peinture, les solvants chlorés, l'ammoniaque et les détergents d'usage domestique qui en contiennent pourraient détériorer le plastique et l'isolation des pièces. Ne laissez jamais de solvants inflammables ou combustibles auprès de l'outil.

Réparations

Pour les réparations, retournez outil, batterie et chargeur en entier au centre-service le plus près, selon la liste apparaissant à la dernière page de ce manuel.

ACCESSOIRES



AVERTISSEMENT

Retirez toujours la batterie avant de changer ou d'enlever les accessoires. L'utilisation d'autres accessoires que ceux qui sont spécifiquement recommandés pour cet outil peut comporter des risques.

Pour une liste complète des accessoires, prière de se reporter au catalogue MILWAUKEE Electric Tool ou visiter le site internet www.milwaukeeetool.com. Pour obtenir un catalogue, il suffit de contacter votre distributeur local ou l'un des centres-service énumérés sur la page de couverture de ce manuel.

Voir page 30 & 31 pour Lames Super Sawzall® Bimétalliques.

GARANTIE LIMITÉE DE L'OUTIL DE CINQ ANS

Chaque outil électrique MILWAUKEE (y compris le chargeur de batterie) est garanti à l'acheteur d'origine être exempt de vice du matériau et de fabrication. Sous réserve de certaines exceptions, MILWAUKEE réparera ou remplacera toute pièce d'un outil électrique qui, après examen, sera avéré par MILWAUKEE être affecté d'un vice du matériau ou de fabrication pendant une période de cinq (5) ans* après la date d'achat. Le retour de l'outil électrique, accompagné d'une copie de la preuve d'achat à un site d'entretien d'usine/de promotion des ventes de MILWAUKEE ou à un poste d'entretien agréé MILWAUKEE, en port prépayé et assuré, est requis pour que cette garantie s'applique. Cette garantie ne couvre pas les dommages que MILWAUKEE détermine être causés par des réparations ou des tentatives de réparation par quiconque autre que le personnel agréé par MILWAUKEE, des utilisations incorrectes, des altérations, des utilisations abusives, une usure normale, une carence d'entretien ou les accidents.

* La période de garantie pour les palans (palans à levier, à chaîne manuelle et à chaîne électrique), tous les blocs de batteries au NiCd, les projecteurs de travail (lampes torches sans fil), les radios de chantier et les chariots de travail industriels Trade Titan™ est d'un (1) an à partir de la date d'achat. *La période de garantie pour les blocs de batteries au lithium-ion qui ne sont pas équipés de la technologie V™ (entre 4 et 18 volts) est de deux (2) ans à partir de la date d'achat.

*Il existe une garantie séparée pour les blocs de batteries au lithium-ion avec technologie V™ de 18 volts et plus qui accompagnent les outils électriques sans fil de technologie V™ :

*Chaque batterie au lithium-ion 18 volts ou plus de technologie MILWAUKEE V™ est couverte par une garantie de remplacement gratuit initial pour 1 000 charges/2 ans. Ceci signifie qu'avant les 1 000 premières charges ou deux (2) années suivant la date d'achat/la première charge, une batterie de rechange sera fournie gratuitement au client pour toute batterie défectueuse. Par la suite, les clients recevront aussi une garantie supplémentaire calculée au prorata dans la limite de 2 000 charges ou cinq (5) années suivant la date d'achat/la première charge, à la première échéance. Ceci signifie que chaque client obtient une garantie au prorata supplémentaire de 1 000 charges ou de trois (3) années sur les batteries au lithium-ion 18 volts ou plus de technologie V™ en fonction de l'utilisation. Pendant cette période de garantie supplémentaire, le client ne paye que pour le service utilisable reçu au-delà des 1 000 premières charges/2 premières années, en fonction de la date de la première charge et du nombre de charges des batteries déterminés par le lecteur de service MILWAUKEE de technologie V™.

L'enregistrement de la garantie n'est pas nécessaire pour bénéficier de la garantie en vigueur sur un produit MILWAUKEE. Une preuve d'achat sous la forme d'un reçu de vente ou d'autres informations considérées suffisantes par MILWAUKEE est cependant requise.

L'ACCEPTATION DES RECOURS EXCLUSIFS DE RÉPARATION ET DE REMPLACEMENT DÉCRITS PAR LES PRÉSENTS EST UNE CONDITION DU CONTRAT D'ACHAT DE TOUT PRODUIT MILWAUKEE. SI VOUS N'ACCEPTÉZ PAS CETTE CONDITION, VOUS NE DEVEZ PAS ACHETER LE PRODUIT. EN AUCUN CAS MILWAUKEE NE SAURAIT ÊTRE RESPONSABLE DE TOUT DOMMAGE ACCESSOIRE, SPÉCIAL OU INDIRECT, DE DOMMAGES-INTÉRÊTS PUNITIFS OU DE TOUTE DÉPENSE, D'HONORAIRES D'AVOCATS, DE FRAIS, DE PERTE OU DE DÉLAIS ACCESSOIRES À TOUT DOMMAGE, DÉFAILLANCE OU DÉFAUT DE TOUT PRODUIT, Y COMPRIS NOTAMMENT LES PERTES DE PROFIT. CETTE GARANTIE EST EXCLUSIVE ET REMPLACE TOUTE AUTRE GARANTIE OU CONDITION, ÉCRITE OU VERBALE, EXPRESSE OU IMPLICITE. SANS LIMITER LA GÉNÉRALITÉ DES DISPOSITIONS PRÉCÉDENTES, MILWAUKEE DÉCLINE TOUTE GARANTIE IMPLICITE DE QUALITÉ MARCHANDE OU D'ADAPTATION À UNE UTILISATION OU À UNE FIN PARTICULIÈRE ET TOUTE AUTRE GARANTIE.

Cette garantie s'applique aux produits vendus aux États-Unis, au Canada et au Mexique uniquement.

REGLAS DE SEGURIDAD GENERALES PARA HERRAMIENTAS OPERADAS POR BATERÍA



ADVERTENCIA

LEA TODAS LAS INSTRUCCIONES

Si no se siguen todas las siguientes instrucciones se puede provocar una descarga eléctrica, un incendio y/o lesiones graves. El término "herramienta eléctrica" en todas las advertencias incluidas más abajo se refiere a su herramienta operada por conexión (cable) a la red eléctrica o por medio de una batería (inalámbrica).

GUARDE ESTAS INSTRUCCIONES

SEGURIDAD EN EL ÁREA DE TRABAJO

1. **Mantenga limpia y bien iluminada el área de trabajo.** Las áreas desordenadas u oscuras contribuyen a que se produzcan accidentes.
2. **No utilice herramientas eléctricas en atmósferas explosivas, como en la presencia de líquidos, gases o polvo inflamables.** Las herramientas eléctricas crean chispas que pueden incendiar el polvo o las emanaciones.
3. **Mantenga a los niños y otras personas alejadas mientras utiliza una herramienta eléctrica.** Las distracciones pueden hacerle perder el control.

SEGURIDAD ELÉCTRICA

4. **Los enchufes de las herramientas eléctricas deben ser del mismo tipo que el tomacorrientes. Nunca realice ningún tipo de modificación en el enchufe. No use enchufes adaptadores con herramientas eléctricas con conexión a tierra.** Se reducirá el riesgo de descarga eléctrica si no se modifican los enchufes y los tomacorrientes son del mismo tipo.
5. **Evite el contacto corporal con superficies con conexión a tierra, como tuberías, radiadores, estufas y refrigeradores.** El riesgo de descarga eléctrica aumenta si su cuerpo está conectado a tierra.
6. **No exponga la herramientas eléctricas a la lluvia o a condiciones de humedad.** El agua que entra en una herramienta eléctrica aumenta el riesgo de descarga eléctrica.

7. **No abuse del cable. Nunca use el cable para transportar la herramienta eléctrica, tirar de ella o desenchufarla. Mantenga el cable alejado del calor, los bordes afilados o las piezas en movimiento.** Los cables dañados o enmarañados aumentan el riesgo de descarga eléctrica.
8. **Cuando se utiliza una herramienta eléctrica en el exterior, use una extensión que sea apropiada para uso en el exterior.** El uso de un cable apropiado para el exterior reduce el riesgo de descarga eléctrica.

SEGURIDAD PERSONAL

9. **Manténgase alerta, ponga cuidado a lo que está haciendo y use el sentido común cuando utilice una herramienta eléctrica. No use una herramienta eléctrica cuando está cansado o bajo la influencia de drogas, alcohol o medicinas.** Despijarse un minuto cuando se utiliza una herramienta eléctrica puede tener como resultado lesiones personales graves.
10. **Use equipo de seguridad. Lleve siempre protección ocular.** Llevar equipo de seguridad apropiado para la situación, como una máscara antipolvo, zapatos de seguridad antideslizantes casco o protección auditiva, reducir á las lesiones personales.
11. **Evite los arranques accidentales. Asegúrese de que el interruptor esté en la posición de apagado antes de enchufar la herramienta.** Mover herramientas con el dedo en el interruptor o enchufar herramientas con el interruptor en la posición de encendido contribuye a que se produzcan accidentes.

12. **Quite todas las llaves de ajuste antes de encender la herramienta.** Una llave que esté acoplada a una pieza giratoria de la herramienta puede provocar lesiones personales.
13. **No se estire demasiado. Mantenga los pies bien asentados y el equilibrio en todo momento.** Esto permite tener mejor control de la herramienta eléctrica en situaciones inesperadas.
14. **Vístase de manera apropiada. No lleve ropa suelta ni joyas. Mantenga el cabello, la ropa y los guantes lejos de la piezas en movimiento.** La ropa floja, las joyas o el cabello largo pueden quedar atrapados en las piezas en movimiento.
15. **Si se proporcionan dispositivos para la conexión de sistemas de recolección y extracción de polvo, asegúrese de que estén conectados y se usen apropiadamente.** El uso de estos dispositivos puede reducir los peligros relacionados con el polvo.

USO Y CUIDADO DE LAS HERRAMIENTAS ELÉCTRICAS

16. **No fuerce la herramienta eléctrica. Use la herramienta eléctrica correcta para la aplicación.** La herramienta eléctrica correcta funcionará mejor y de manera más segura a la velocidad para la que se diseñó.
17. **No use la herramienta eléctrica si el interruptor no la enciende ni la apaga.** Cualquier herramienta eléctrica que no se pueda controlar con el interruptor es peligrosa y se debe reparar.
18. **Desconecte el enchufe de la toma de alimentación y/o la batería de la herramienta eléctrica antes de realizar cualquier ajuste, cambiar accesorios o almacenar las herramientas eléctricas.** Dichas medidas preventivas de seguridad reducen el riesgo de que la herramienta se prenda accidentalmente.
19. **Almacene las herramientas eléctricas fuera del alcance de los niños y no permita que personas no familiarizadas con ellas o estas instrucciones las utilicen.** Las herramientas eléctricas son peligrosas en las manos de usuarios no capacitados.

20. **Mantenimiento de las herramientas eléctricas. Revise que no haya piezas móviles que estén desalineadas o que se atasquen, piezas rotas ni ninguna otra condición que pueda afectar el funcionamiento de la herramienta eléctrica. Si se encuentran daños, haga que le reparen la herramienta antes de usarla.** Las herramientas mal mantenidas son la causa de muchos accidentes.
21. **Mantenga las herramientas de corte limpias y afiladas.** Es menos probable que se atasquen las herramientas de corte con filos afilados que se mantienen de manera apropiada y también son más fáciles de controlar.
22. **Use la herramienta eléctrica, los accesorios y las brocas, etc. siguiendo estas instrucciones y de la manera para la que dicha herramienta eléctrica en particular fue diseñada, teniendo en cuenta las condiciones de trabajo y la tarea que se va a realizar.** El uso de la herramienta eléctrica para operaciones diferentes de aquellas para las que se diseño podría resultar en una situación peligrosa.

USO Y CUIDADO DE LAS HERRAMIENTAS CON BATERÍA

23. **Asegurarse de que el interruptor esté en la posición apagada antes de colocar la batería.** Colocar la batería en las herramientas eléctricas que tienen el interruptor en la posición de encendido contribuye a que se produzcan accidentes.
24. **Recárguela solamente con el cargador especificado por el fabricante.** Un cargador que sea apropiado para un tipo de batería puede crear riesgo de incendio cuando se use con otra batería.
25. **Use las herramientas eléctricas solamente con baterías específicamente diseñadas.** El uso de cualquier otro tipo de batería puede crear riesgo de lesiones o incendio.

26. **Cuando no se use la batería manténgala alejada de otros objetos de metal como clips para papel, monedas, llaves, clavos, tornillos u otros objetos de metal pequeños que puedan realizar una conexión entre los bornes.** Realizar un cortacircuito en los terminales de la batería puede provocar quemaduras o un incendio.
27. **Bajo condiciones abusivas, puede salir líquido expulsado de la batería; evite el contacto. Si se produce un contacto accidental, lavar con agua. Si el líquido entra en contacto con los ojos buscar ayuda médica adicional.** El líquido que sale despedido de la batería puede causar irritaciones o quemaduras.

MANTENIMIENTO

28. **Haga que un técnico calificado realice el mantenimiento de la herramienta eléctrica utilizando solamente piezas de repuesto idénticas.** Esto asegurará que se mantiene la seguridad de la herramienta eléctrica.



REGLAS ESPECIFICAS DE SEGURIDAD

1. **Agarre la herramienta por los asideros aislados cuando realice una operación en la que la herramienta de corte pueda entrar en contacto con cables ocultos o con su propio cable.** El contacto con un cable "con corriente" hará que las partes de metal expuesto de la herramienta pasen la corriente y produzcan una descarga al operador.

2. **Use abrazaderas u otra manera práctica de asegurar y sujetar la pieza en la que se va a trabajar en una plataforma estable.** Sujetar la pieza con la mano o contra su cuerpo la deja inestable y puede conducir a la pérdida de control.
3. **Mantenga las manos alejadas de todos los bordes cortadores y partes en movimiento.**
4. **Mantenga las etiquetas y las placas de identificación.** Tienen información importante. Si no se pueden leer o si faltan, póngase en contacto con un centro de servicio **MILWAUKEE** para obtener un repuesto gratuito.
5. **ADVERTENCIA :** Ciertos polvos creados al lijar, serrar, esmerilar, perforar y realizar otras actividades de construcción contienen productos químicos que se sabe que causan cáncer, defectos congénitos u otros daños al aparato reproductor. Algunos ejemplos de dichos productos químicos son:
 - plomo de pintura con base de plomo
 - sílice cristalino de los ladrillos y cemento y de otros productos de mampostería, y
 - arsénico y cromo de madera tratada químicamente.

Su riesgo de exposición varía dependiendo de la frecuencia con la que realice este tipo de trabajo. Para reducir su exposición a estos productos químicos: trabaje en un área bien ventilada, y trabaje con equipo de seguridad aprobado, como aquellas máscaras antipolvo especialmente diseñadas para filtrar partículas microscópicas.

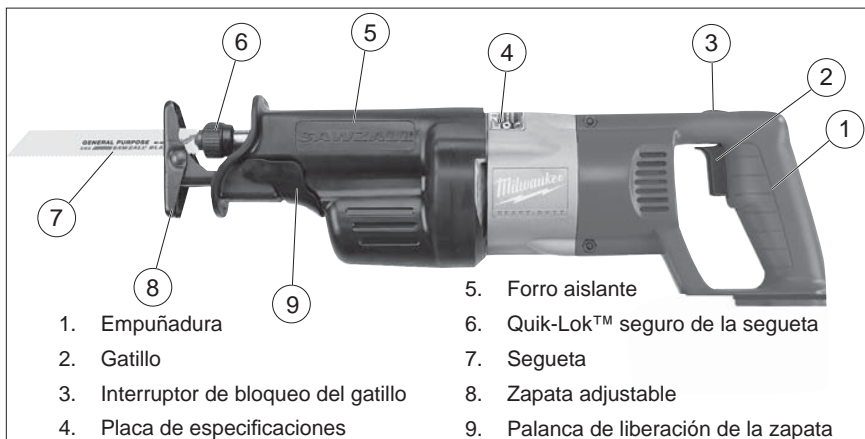
Simbología

	Underwriters Laboratories, Inc., Estados Unidos y Canadá
	Volts corriente directa
$n_0 \text{ XXXX min.}^{-1}$	Cortes por minuto sin carga (SPM)

Especificaciones

Cat. No.	Volts cd	Largo de Carrera	Cortes por minuto
6515-20	18	29 mm	0 - 2 700

DESCRIPCION FUNCIONAL



- | | |
|---------------------------------------|---------------------------------------|
| 1. Empuñadura | 5. Forro aislante |
| 2. Gatillo | 6. Quik-Lok™ seguro de la seguela |
| 3. Interruptor de bloqueo del gatillo | 7. Seguela |
| 4. Placa de especificaciones | 8. Zapata ajustable |
| | 9. Palanca de liberación de la zapata |

ENSAMBLAJE DE LA HERRAMIENTA



ADVERTENCIA

Cargue solamente con el cargador especificado para la batería. Para obtener instrucciones específicas de carga, lea el manual del operador que se incluye con el cargador y la batería.



ADVERTENCIA

Para reducir el riesgo de lesiones, extraiga siempre la batería o bloquee el gatillo antes de acoplar o desacoplar accesorios. Utilice únicamente accesorios específicamente recomendados para esta herramienta. El uso de accesorios no recomendados podría resultar peligroso.

Como se quita la batería de la herramienta

Empuje hacia adentro los botones de seguridad y jala la batería fuera de la herramienta.

Como se inserta la batería en la herramienta

La batería puede ser que se sienta caliente luego de haberse completado el ciclo de cargado. Si está caliente, maximize el rendimiento de la misma, permitiéndole enfriarse por unos minutos antes de colocarla en la herramienta.

Selección de la seguela

La abrazadera para seguela Quik-Lok® se adapta a seguelas universales Sawzall® con espiga de 13 mm (1/2"). Para un mejor rendimiento, utilice seguelas Super Sawzall® de MILWAUKEE de alto desempeño. Cuando seleccione una seguela, elija el tipo y largo adecuados.

Se dispone de diversos tipos de seguelas para una amplia variedad de aplicaciones: cortes en metal, madera, madera con clavos embutidos, calado, desbastado y contorno.

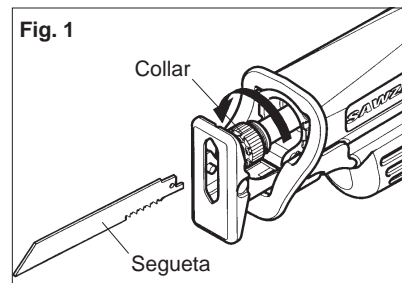
También hay seguelas de muchos largos. Seleccione un largo que sea suficiente para que durante su carrera la seguela se extienda más allá de la zapata y del material a cortar. No use seguelas con un largo menor a 89 mm (3-1/2") ya que no llegarán a cortar más allá de la zapata.

A fin de obtener el mejor rendimiento y una vida útil más larga de la seguela, vea "Accesorios" para seleccionar la seguela que mejor se adecue a su trabajo.

Abrazadera para seguela Quik-Lok®

Extraiga la batería antes de cambiar las seguelas. Asegúrese de que la flecha y el área donde se colocará la abrazadera para seguela se encuentren limpios. Las rebabas de metal o el aserrín podrían impedir que la abrazadera para seguela Quik-Lok® quede bien sujeta.

Fig. 1



1. Dependiendo del trabajo a realizar, usted podrá colocar la seguela con los dientes hacia abajo o hacia arriba. Para instalar la seguela, gire el collar en el sentido del símbolo de la flecha mientras inserte la seguela en la abrazadera hasta que el zanco llegue al collar.
2. Cuando suelte el collar, el mecanismo de resorte sujetará la seguela firmemente en su lugar.
3. Gire el collar en el sentido contrario de la flecha para asegurarse de que la seguela esté afianzada en la abrazadera.
4. Tire de la seguela para asegurarse de que se ha afianzado completamente en la abrazadera.
5. Para extraer la seguela, gire el collar en la dirección del símbolo de la flecha mientras extrae la seguela. Tenga cuidado al manejar seguelas calientes.

Mantenimiento de la abrazadera para seguela Quik-Lok®

- Periódicamente, limpie el polvo y residuos de la abrazadera para seguela Quik-Lok® con aire comprimido seco.
- Si el collar no gire con facilidad, gire el collar hacia la derecha y hacia la izquierda para sacudir los residuos sueltos.
- Periódicamente, lubrique la abrazadera Quik-Lok® con un lubricante seco como el grafito.

Cómo sacar las seguelas rotas de la abrazadera de la seguela Quik-Lok®

Desenchufe la herramienta antes de quitar las seguelas. Se puede sacar la seguela utilizando los siguientes métodos.

- Apunte la herramienta hacia abajo, gire el collar y sacuda la herramienta hacia arriba y hacia abajo (**NO** apague la herramienta mientras los dedos mantengan abierta la abrazadera de la seguela). La varilla de la seguela rota debe desprenderse de la abrazadera.
- Si no surte efecto el sacudir de la herramienta.....
En la mayoría de casos, una parte de la seguela rota se extenderá más allá de la abrazadera. Simplemente gire el collar y tire la seguela rota de la abrazadera por esta esquina.
- Si la seguela rota no se extiende lo suficiente para que usted pueda tomarla, utilice una hoja delgada con dientes pequeños (tal como una hoja para cortar) para enganchar la seguela que está atorada en la abrazadera mientras gira el collar y sáquela de la abrazadera.

Ajuste de la zapata móvil

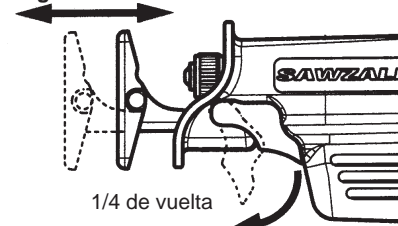
La zapata puede ajustarse hacia adelante o hacia atrás a seis posiciones para tomar ventaja de las porciones no utilizadas de una seguela, o para trabajos especiales que requieran un espacio libre mínimo de la seguela.



ADVERTENCIA

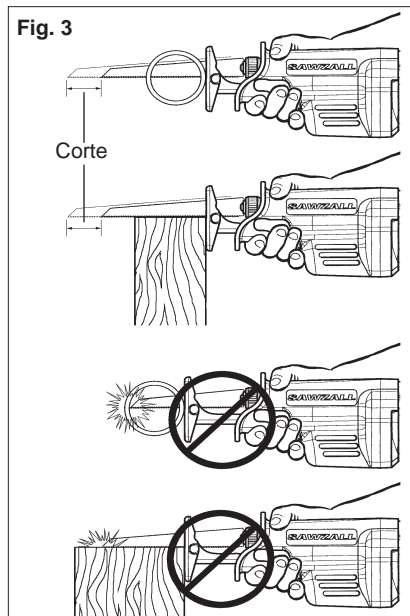
Para reducir el riesgo de lesiones, asegúrese de que durante su carrera la seguela se extienda más allá de la zapata y del material a cortar. Las seguelas pueden dañarse si golpean el material o la zapata (Fig. 2).

Fig. 2



1. Para ajustar la zapata, jale hacia abajo su palanca de liberación 1/4 de vuelta y deslice la zapata hacia delante o hacia detrás a la posición deseada.
2. Para trabar la zapata en su posición, empuje hacia arriba su palanca de liberación.
3. Después de ajustar la zapata, tire lentamente del gatillo para asegurarse de que la següeta siempre se extiende más allá de la zapata y de la pieza que se desea cortar.

NO UTILICE EL PORTASEGUETAS SAW-ZALL SIN ZAPATA. GOLPEAR EL EJE CONTRA LA PIEZA PUEDE DAÑAR EL MECANISMO DE RECIPROCIDAD.



Mecanismo de protección durante un impacto

Este modelo es vienen equipados con un sistema de engranaje patentado que proporciona una transmisión de electricidad eficaz y alarga la vida útil de un accesorio empleado para las aplicaciones de corte más difíciles. Este mecanismo duradero absorbe impactos y movimientos cuando se traba la hoja y se para el motor. Este modelo se pueden utilizar para aplicaciones de cortes extremas, como por ejemplo, tubos de gran diámetro, metales gruesos, paletas y tareas de demolición y remozamiento pesadas, y también para tareas generales.

OPERACION

ADVERTENCIA

Quando no esté utilizando la herramienta, bloquee el gatillo para evitar que la herramienta se encienda accidentalmente.

Arranque, parada y control de velocidad

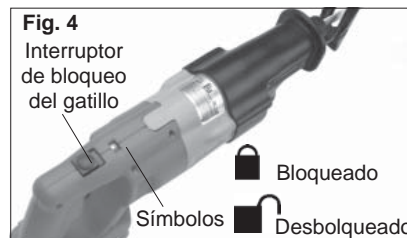
1. Para **arrancar** la herramienta, sujete firmemente la empuñadura y oprima el gatillo.
2. Para **detener** la herramienta, suelte el gatillo. Permita que la herramienta se detenga completamente antes de extraer la següeta de un corte parcial o cuando deje de operarla.

Interruptor de control de velocidad del gatillo

El Sawzall™ incluye un interruptor de control de velocidad. Puede ser operado a cualquier velocidad, desde cero carreras por minuto hasta velocidad máxima. Encienda siempre la herramienta antes de iniciar el corte del material. Para variar la velocidad, simplemente aumente o reduzca la presión en el gatillo. A mayor presión, mayor velocidad. Para detener la herramienta, suelte el gatillo y permita que la herramienta se detenga completamente antes de extraerla de un corte parcial o cuando deje de operarla.

Ajuste del ángulo de la empuñadura

Para asegurar el gatillo, deslice el interruptor del gatillo hasta que el símbolo "bloqueado" esté visible. El gatillo no funcionará mientras el interruptor esté en esta posición. Siempre asegure el gatillo y saque la batería antes de efectuar el mantenimiento de la herramienta o de cambiar algún accesorio. Asegure el gatillo cuando almacene la herramienta o cuando no la esté utilizando.



Cortes en general

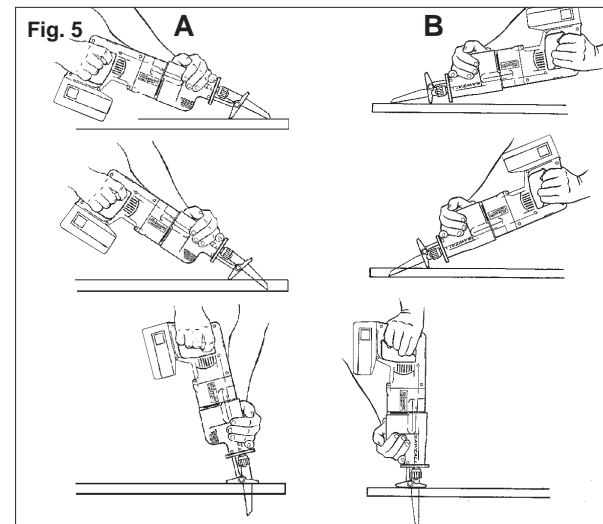
Para cortes rectos o de contornos iniciando desde una orilla, alinee la següeta con su línea de corte. Antes que la següeta haga contacto con el material, empuñela firmemente y oprima el gatillo. Luego guíela por la línea de corte. Mantenga siempre la zapata apoyada completamente contra el material a cortar, así evitará vibraciones excesivas.

Cortes en metal

Inicie el corte a baja velocidad y aumentela gradualmente conforme avanza en el corte. Cuando se corta metales u otros materiales duros que no pueden ser cortados desde una orilla, taladre una perforación de un diámetro que sea mayor a la parte mas ancha de la següeta.

Cortes penetrantes

El Sawzall® de MILWAUKEE es la herramienta ideal para realizar un corte penetrante directo en superficies que no se pueden comenzar a cortar desde una esquina, como por ejemplo, paredes y pisos. Se recomienda utilizar un movimiento orbital para cortes penetrantes. Un corte penetrante se puede realizar de dos modos distintos según se inserte la hoja. La columna A muestra cómo se hace un corte penetrante con los dientes de la hoja orientados hacia abajo. La columna B muestra cómo se hace un corte penetrante con los dientes de la hoja orientados hacia arriba. No haga cortes penetrantes en superficies metálicas (véase "Cortes en Metales").



ADVERTENCIA

Para reducir el riesgo de explosión, descarga eléctrica y daños a la propiedad, verifique que en el área de trabajo donde realizará cortes ciegos o penetrantes no hayan tuberías de gas, cables ni tuberías de agua ocultas.

1. Coloque la següeta en la herramienta. Si colocó la següeta con los dientes hacia abajo, sujete la herramienta como se ilustra en la Columna A, apoyando el extremo de la zapata sobre el material. Si colocó la següeta con los dientes hacia arriba, sujete la herramienta como se ilustra en la Columna B, apoyando el extremo de la zapata sobre el material.
2. Con la següeta sólo rozando la superficie del material, oprima el gatillo. Usando el extremo de la zapata como pivote, descienda la següeta sobre el material tal como se ilustra.
3. Conforme la següeta empieza a cortar, levante la empuñadura de la herramienta hasta que la zapata quede apoyada firmemente sobre la superficie. Luego guíe la herramienta por la línea de corte deseada para realizar el corte.

NOTA: Para realizar los cortes interiores mas fácilmente, use una següeta de calibre grueso e instale la següeta con los dientes hacia arriba como se ilustra en la Columna B.

MANTENIMIENTO



ADVERTENCIA

Para reducir el riesgo de una lesión, desconecte siempre la herramienta antes de darle cualquier mantenimiento. Nunca desarme la herramienta ni trate de hacer modificaciones en el sistema eléctrico de la misma. Acuda siempre a un Centro de Servicio MILWAUKEE para TODAS las reparaciones.

Adopte un programa regular de mantenimiento y mantenga sus baterías y cargador en buenas condiciones. Después de 6 meses a un año, dependiendo del uso dado, envíe su herramienta, batería y cargador, al Centro de Servicio MILWAUKEE más cercano para que le hagan:

- Lubricación
- Inspección mecánica y limpieza (engranes, flechas, baleros, carcaza, etc.)
- Inspección eléctrica (batería, cargador, motor)
- Probarla para asegurar una adecuada operación mecánica y eléctrica

Mantenimiento de la herramienta

Si la herramienta no arranca u opera a toda su potencia con una batería completamente cargada, limpie, con una goma o borrador, los contactos de la batería y de la herramienta. Si aun así la herramienta no trabaja correctamente, regrésela, con el cargador y la batería, a un centro de servicio MILWAUKEE para que sea reparada.



ADVERTENCIA

Para reducir el riesgo de una lesión, descarga eléctrica o daño a la herramienta, batería o cargador, nunca los sumerja en líquidos ni permita que estos fluyan dentro de los mismos.

Limpieza

Limpie el polvo y suciedad de las ventilas del cargador y la herramienta. Mantenga los mangos y empuñaduras limpios, secos y libres de aceite o grasa. Use solo jabón neutro y un trapo húmedo para limpiar la herramienta, batería y el cargador, ya que algunas sustancias y solventes limpiadores son dañinos a los plásticos y partes aislantes. Algunos de estos incluyen: gasolina, turpentina, thinner, lacas, thinner para pinturas, solventes para limpieza con cloro, amoníaco y detergentes caseros que tengan amoníaco. Nunca use solventes inflamables o combustibles cerca de una herramienta.

Reparaciones

Si su herramienta, batería o cargador están dañados, envíela al centro de servicio más cercano de los listados en la cubierta posterior de este manual del operario.

ACCESORIOS



ADVERTENCIA

Para reducir el riesgo de lesiones, siempre extraiga la batería antes de cambiar o retirar accesorios. Utilice únicamente accesorios específicamente recomendados para esta herramienta. El uso de accesorios no recomendados podría resultar peligroso.

Para una lista completa de accesorios, refiérase a su catálogo MILWAUKEE Electric Tool o visite nuestro sitio en Internet: www.milwaukeetool.com. Para obtener un catálogo, contacte su distribuidor local o uno de los centros de servicio listados en la página de cubierta de este manual.

Vea página 30 & 31 por Seguetas Bi-Metálicas Sawzall®.

GARANTÍA LIMITADA DE CINCO AÑOS

Cada herramienta eléctrica MILWAUKEE (incluyendo el cargador de batería) está garantizada sólo al comprador original de estar libre de defectos en el material y la mano de obra. Sujeto a ciertas excepciones, MILWAUKEE reparará o reemplazará por un período de cinco (5) años* después de la fecha de compra cualquier pieza en una herramienta eléctrica que, después de haber sido examinada, MILWAUKEE determine que está defectuosa en el material o la mano de obra. Regrese la herramienta eléctrica y una copia de la prueba de compra a un concesionario de soporte de ventas/servicio de fábrica MILWAUKEE o a una estación de servicio autorizada MILWAUKEE. Para que esta garantía sea efectiva, se requiere el flete pagado por anticipado y el seguro. Esta garantía no aplica a los daños que MILWAUKEE determine sean ocasionados por reparaciones o intentos de reparación por cualquier otro que personal autorizado por MILWAUKEE, uso indebido, alteraciones, abuso, desgaste y deterioro normal, falta de mantenimiento o accidentes.

* El plazo de garantía para los montacargas (de palanca, de cadena manual y de cadena eléctrica), de todas las baterías de Ni-Cd, de las linternas de trabajo (inalámbricas), de los radios para el lugar de trabajo, y de los carros Trade Titan™ para trabajo industrial es de un (1) año a partir de la fecha de compra. *El plazo de garantía para las baterías de iones de litio que no incluyan tecnología V™ (desde 4,0 voltios hasta 18,0 voltios) es de dos (2) años a partir de la fecha de compra.

*Existe una garantía por separado para las baterías de iones de litio con tecnología V™ (de 18 voltios o más) que viene incluida con las herramientas eléctricas que poseen tecnología V™:

*Cada batería de iones de litio de tecnología V™ de MILWAUKEE de 18 voltios o superior, está cubierta con una garantía de reemplazo gratuito por las primeras 1000 cargas/2 años. Esto significa que por lo que suceda primero, las primeras 1000 cargas o dos (2) años de la fecha de compra/primer carga, se proporcionará sin cargo al cliente, una batería de reemplazo por cualquier batería defectuosa. A partir de entonces, los clientes recibirán una garantía adicional en una base proporcional que puede ser hasta de las primeras 2000 cargas o cinco (5) años de la fecha de compra/primer carga, lo que suceda primero. Esto significa que cada cliente obtiene una garantía proporcional de 1000 cargas o tres (3) años adicionales en la batería de iones de litio de tecnología V™ de 18 voltios o superior, dependiendo de la cantidad de uso. Durante este período adicional de garantía, el cliente paga por sólo el servicio utilizable recibido durante y superior a las primeras 1000 cargas/2 años, de acuerdo a la fecha de la primer carga y al número de cargas encontradas en la batería a través del lector de servicio de tecnología V™ de MILWAUKEE.

El registro de la garantía no es necesario para obtener la garantía aplicable en un producto MILWAUKEE. Sin embargo, se requiere un recibo de compras u otra información similar que MILWAUKEE considere suficiente.

LA ACEPTACIÓN DE LOS REMEDIOS EXCLUSIVOS DE REPARACIÓN Y REEMPLAZO AQUÍ DESCRITOS ES UNA CONDICIÓN DEL CONTRATO EN LA COMPRA DE CADA PRODUCTO MILWAUKEE. SI NO ESTÁ DE ACUERDO CON ESTA CONDICIÓN, NO DEBERÍA COMPRAR ESTE PRODUCTO. EN NINGÚN CASO MILWAUKEE SERÁ RESPONSABLE POR CUALESQUIER DAÑO PUNITIVO, CONSECUENTE, ESPECIAL, INCIDENTAL O POR CUALESQUIER COSTO, HONORARIOS DE ABOGADO, GASTOS, PÉRDIDAS O RETRASOS QUE SE ARGUMENTE QUE SEAN UNA CONSECUENCIA DE CUALQUIER DAÑO A, FALLA DE, O DEFECTO EN CUALQUIER PRODUCTO, INCLUYENDO, PERO SIN LIMITARSE A, CUALQUIER RECLAMO POR PÉRDIDAS DE GANANCIAS. ESTA GARANTÍA ES EXCLUSIVA Y REEMPLAZA TODAS LAS DEMÁS GARANTÍAS O CONDICIONES, ORALES O ESCRITAS, EXPRESAS O IMPLÍCITAS. SIN LIMITAR LA GENERALIDAD DE LO ANTERIOR, MILWAUKEE RENUNCIA A TODA GARANTÍA IMPLÍCITA DE COMERCIABILIDAD O APTITUD PARA UN FIN O USO ESPECÍFICO Y DEMÁS GARANTÍAS.

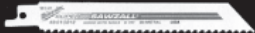
Esta garantía es válida solamente en el producto vendido en los Estados Unidos, México y Canadá.

Super Sawzall Blades
Lames Super Sawzall Bimétalliques
Seguetas Bi-Metálicas Sawzall

All blades have 1/2" universal tang.
 Toutes lames ont 13 mm (1/2") tang universel.
 Todas hojas tienen 13 mm (1/2") espiga universal.

• Cat. No. 5 per pouch	• Cat. No. 2 per pouch	• Teeth Per Inch /25 mm • Dents/25 mm (1") • Dientes x 25 mm	Length x Width		
• No de Cat. 5 par sachet	• No de Cat. 2 par sachet		Longueur x Largeur		
• Cat. No. 5 por sobre	• Cat. No. 2 por sobre		Largo x Ancho		
			Inches	/	mm

Wood Cutting Blades • Lames à Couper Le Bois • Seguetas Para Cortar Madera



For cutting wood, nail-embedded wood, composition materials.
 Coupe de bois, bois cloué, agglomérés.
 Para cortar madera, madera con clavos y materiales compuestos.

48-01-5011	48-02-5011	6	4 x 3/4	102 x 19
48-01-5012	48-02-5012	6	6 x 3/4	152 x 19

Wood Cutting Blades • Lames À Couper Le Bois • Seguetas Para Cortar Madera



For cutting wood, nail-embedded wood, general roughing-in, all purpose. Coupe de bois, bois cloué, dégrossissage général, tout usage. Para cortar madera, madera con clavos, cortes en general en bruto.

48-01-5031	48-02-5031	5/8	6 x 3/4	152 x 19
48-01-5035	48-02-5035	6	6 x 3/4	152 x 19
48-01-5036	48-02-5036	6	9 x 3/4	229 x 19
48-01-5037	48-02-5037	6	12 x 3/4	305 x 19
48-01-5041	48-02-5041	4/6	6 x 1/2	152 x 13

Plaster Cutting Blade • Lame À Couper Le Plâtre • Seguetas Para Cortar Materiales Emplastados



For cutting plaster with metal lath.
 Coupe de plâtre et lattis métallique.
 Para cortar emplastados con respaldo de metal.

48-01-5052	48-02-5052	6	5 x 3/4	127 x 19
------------	------------	---	---------	----------

All Purpose Blades • Lames Tout Usage • Seguetas Para Cortes En General



For cutting wood, nail-embedded wood, plastics, fiberglass, metals, cast iron. Pour coupe de bois, bois cloué, plastique, fibre de verre, métaux et fonte. Para cortar madera, madera con clavos, plasticos, fibra de vidrio, metales y hierro.

48-01-5090	48-02-5090	10	4 x 3/4	102 x 19
48-01-5092	48-02-5092	10	6 x 3/4	152 x 19
48-01-5091	48-02-5091	8/12	6 x 3/4	152 x 19
48-01-5093	48-02-5093	8/12	8 x 3/4	203 x 19
48-01-5094	48-02-5094	8/12	12 x 3/4	305 x 19
48-01-5193	48-02-5193	10/14	8 x 5/8	203 x 16
48-01-5194	48-02-5194	10/14	12 x 5/8	305 x 16

• Cat. No. 5 per pouch	• Cat. No. 2 per pouch	• Teeth Per Inch • Dents/25 mm (1") • Dientes x 25 mm	Length x Width		
• No de Cat. 5 par sachet	• No de Cat. 2 par sachet		Longueur x Largeur		
• Cat. No. 5 por sobre	• Cat. No. 2 por sobre		Largo x Ancho		
			Inches	/	mm

Metal Scroll Cutting Blades • Lame Pour Tailler Et Découper Dans Le Métal



• **Seguetas Para Calar En Metal**
 For cutting metal, scroll cutting.
 Pour tailler et découper dans le métal.
 Para cortar metal, en cortes calados.

48-01-5161	48-02-5161	10	3-5/8 x 5/16	92 x 8
48-01-5162	48-02-5162	14	3-5/8 x 5/16	92 x 8
48-01-5163	48-02-5163	18	3-5/8 x 5/16	92 x 8

Metal Cutting Blades • Lames à Métal • Seguetas Para Cortar Metal



For heavy gauge metal, fiberglass.
 Métaux épais, fibre de verre.
 Para metal de calibres gruesos y fibra de vidrio.

48-01-5181	48-02-5181	14	4 x 3/4	102 x 19
48-01-5182	48-02-5182	14	6 x 3/4	152 x 19
48-01-5282	48-02-5282	14	6 x 5/8	152 x 16
48-01-5187	48-02-5187	14	9 x 3/4	229 x 19
48-01-5183	48-02-5183	18	4 x 3/4	102 x 19
48-01-5184	48-02-5184	18	6 x 3/4	152 x 19
48-01-5284	48-02-5284	18	6 x 5/8	152 x 16
48-01-5188	48-02-5188	18	9 x 3/4	229 x 19
48-01-5189	48-02-5189	18	12 x 3/4	305 x 19
48-01-5185	48-02-5185	24	4 x 3/4	102 x 19
48-01-5186	48-02-5186	24	6 x 3/4	152 x 19
48-01-5286	48-02-5286	24	6 x 5/8	152 x 16

Ax Blades • Ax Baldes • Hojas Ax

Thicker extra wide blades for plunge cutting and demolition work. Lames extra larges et plus épaisses pour coupes en plongée et travaux de démolition. Hojas extra anchas y más gruesas para cortes penetrantes y tareas de demolición.



	--	5/8	6 x 1	152 x 25
	--	5/8	9 x 1	229 x 25
	--	5/8	12 x 1	305 x 25

Torch Blades • Torch Blades • Hojas Torch

Thicker, extra wide blades for metal cutting. Lames extra larges et plus épaisses pour coupe du métal. Hojas extra anchas y más gruesas para cortes de metales.



	48-00-8700	8	6 x 1	152 x 25
	48-00-8705	8	9 x 1	229 x 25
	48-00-8710	8	12 x 1	305 x 25
	--	10	6 x 1	152 x 25
	--	10	9 x 1	229 x 25
	--	14	6 x 1	152 x 25
	--	14	9 x 1	229 x 25
	--	18	6 x 1	152 x 25
	--	18	9 x 1	229 x 25
	--	18	12 x 1	305 x 25

UNITED STATES - MILWAUKEE Service

MILWAUKEE prides itself in producing a premium quality product that is NOTHING BUT HEAVY DUTY®. Your satisfaction with our products is very important to us!

If you encounter any problems with the operation of this tool, or you would like to locate the *factory Service/Sales Support Branch* or *authorized service station*

nearest you, please call...

1-800-SAWDUST

(1.800.729.3878)

NATIONWIDE TOLL FREE

Monday-Friday • 8:00 AM - 4:30 PM • Central Time

or visit our website at

www.milwaukeetool.com

For service information, use the 'Service Center Search' icon found in the 'Parts & Service' section.

Additionally, we have a nationwide network of *authorized* Distributors ready to assist you with your tool and accessory needs. Check your "Yellow Pages" phone directory under "Tools-Electric" for the names & addresses of those nearest you or see the 'Where To Buy' section of our website.

Corporate After Sales Service - Technical Support
Brookfield, Wisconsin USA

•Technical Questions •Service/Repair Questions •Warranty

1-800-SAWDUST

(1.800.729.3878) fax: 1.800.638.9582

email: metproductsupport@milwaukeetool.com

Monday-Friday • 8:00 AM - 4:30 PM • Central Time

Canada - Service MILWAUKEE

MILWAUKEE est fier de proposer un produit de première qualité NOTHING BUT HEAVY DUTY®. Votre satisfaction est ce qui compte le plus!

En cas de problèmes d'utilisation de l'outil ou pour localiser le centre de service/ventes ou le *centre d'entretien* le plus proche, appelez le...

416.439.4181

fax: 416.439.6210

Milwaukee Electric Tool (Canada) Ltd

755 Progress Avenue
Scarborough, Ontario M1H 2W7

Notre réseau national de distributeurs *agréés* se tient à votre disposition pour fournir l'aide technique, l'outillage et les accessoires nécessaires. Composez le 416.439.4181 pour obtenir les noms et adresses des revendeurs les plus proches ou bien consultez la section «Où acheter» sur notre site web à l'adresse

www.milwaukeetool.com

MEXICO - Soporte de Servicio MILWAUKEE

Milwaukee Electric Tool, S.A. de C.V.

Blvd. Abraham Lincoln no. 13

Colonia Los Reyes Zona Industrial

Tlalnepanitla, Edo. México C.P. 54073

Tel. (55) 5565-1414 Fax: (55) 5565-6874

Adicionalmente, tenemos una red nacional de distribuidores *autorizados* listos para ayudarle con su herramienta y sus accesorios. Por favor, llame al (55) 5565-1414 para obtener los nombres y direcciones de los más cercanos a usted, o consulte la sección 'Where to buy' (Dónde comprar) de nuestro sitio web en

www.milwaukeetool.com

MILWAUKEE ELECTRIC TOOL CORPORATION

13135 West Lisbon Road • Brookfield, Wisconsin, U.S.A. 53005

58-14-2600d8

05/07

Printed in USA

Free Manuals Download Website

<http://myh66.com>

<http://usermanuals.us>

<http://www.somanuals.com>

<http://www.4manuals.cc>

<http://www.manual-lib.com>

<http://www.404manual.com>

<http://www.luxmanual.com>

<http://aubethermostatmanual.com>

Golf course search by state

<http://golfingnear.com>

Email search by domain

<http://emailbydomain.com>

Auto manuals search

<http://auto.somanuals.com>

TV manuals search

<http://tv.somanuals.com>