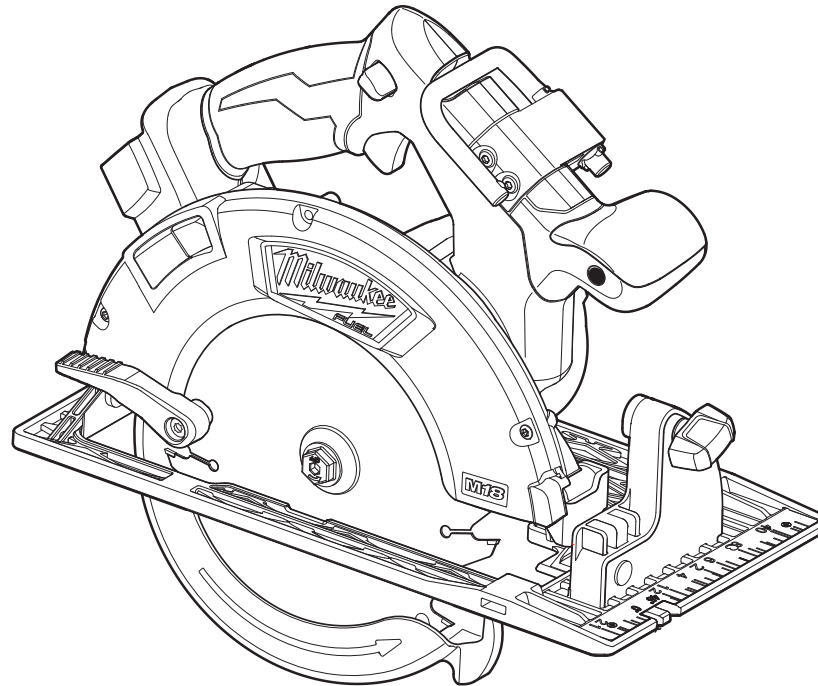




OPERATOR'S MANUAL
MANUEL de L'UTILISATEUR
MANUAL del OPERADOR

Cat. No.
No de cat.
2731-20



M18™ FUEL™ 7-1/4" CIRCULAR SAW
SCIE CIRCULAIRE DE 184 mm (7-1/4") M18™ FUEL™
SIERRA CIRCULAR DE 184 mm (7-1/4") DE M18™ FUEL™

TO REDUCE THE RISK OF INJURY, USER MUST READ AND UNDERSTAND OPERATOR'S MANUAL.

AFIN DE RÉDUIRE LE RISQUE DE BLESSURES, L'UTILISATEUR DOIT LIRE ET BIEN COMPRENDRE LE MANUEL DE L'UTILISATEUR.

PARA REDUCIR EL RIESGO DE LESIONES, EL USUARIO DEBE LEER Y ENTENDER EL MANUAL DEL OPERADOR.

GENERAL POWER TOOL SAFETY WARNINGS

⚠ WARNING READ ALL SAFETY WARNINGS AND ALL INSTRUCTIONS. Failure to follow the warnings and instructions may result in electric shock, fire and/or serious injury. **Save all warnings and instructions for future reference.** The term “power tool” in the warnings refers to your mains-operated (corded) power tool or battery-operated (cordless) power tool.

WORK AREA SAFETY

- **Keep work area clean and well lit.** Cluttered or dark areas invite accidents.
- **Do not operate power tools in explosive atmospheres, such as in the presence of flammable liquids, gases or dust.** Power tools create sparks which may ignite the dust or fumes.
- **Keep children and bystanders away while operating a power tool.** Distractions can cause you to lose control.

ELECTRICAL SAFETY

- **Power tool plugs must match the outlet.** Never modify the plug in any way. Do not use any adapter plugs with earthed (grounded) power tools. Unmodified plugs and matching outlets will reduce risk of electric shock.
- **Avoid body contact with earthed or grounded surfaces such as pipes, radiators, ranges and refrigerators.** There is an increased risk of electric shock if your body is earthed or grounded.
- **Do not expose power tools to rain or wet conditions.** Water entering a power tool will increase the risk of electric shock.
- **Do not abuse the cord.** Never use the cord for carrying, pulling or unplugging the power tool. Keep cord away from heat, oil, sharp edges or moving parts. Damaged or entangled cords increase the risk of electric shock.
- **When operating a power tool outdoors, use an extension cord suitable for outdoor use.** Use of a cord suitable for outdoor use reduces the risk of electric shock.
- **If operating a power tool in a damp location is unavoidable, use a ground fault circuit interrupter (GFCI) protected supply.** Use of an GFCI reduces the risk of electric shock.

PERSONAL SAFETY

- **Stay alert, watch what you are doing and use common sense when operating a power tool.** Do not use a power tool while you are tired or under the influence of drugs, alcohol or medication. A moment of inattention while operating power tools may result in serious personal injury.
- **Use personal protective equipment. Always wear eye protection.** Protective equipment such as dust mask, non-skid safety shoes, hard hat, or hearing protection used for appropriate conditions will reduce personal injuries.
- **Prevent unintentional starting.** Ensure the switch is in the off-position before connecting to power source and/or battery pack, picking up or carrying the tool. Carrying power tools with your finger on the switch or energising power tools that have the switch on invites accidents.
- **Remove any adjusting key or wrench before turning the power tool on.** A wrench or a key left

attached to a rotating part of the power tool may result in personal injury.

- **Do not overreach.** Keep proper footing and balance at all times. This enables better control of the power tool in unexpected situations.
- **Dress properly. Do not wear loose clothing or jewellery.** Keep your hair, clothing and gloves away from moving parts. Loose clothes, jewellery or long hair can be caught in moving parts.
- **If devices are provided for the connection of dust extraction and collection facilities, ensure these are connected and properly used.** Use of dust collection can reduce dust-related hazards.

POWER TOOL USE AND CARE

- **Do not force the power tool.** Use the correct power tool for your application. The correct power tool will do the job better and safer at the rate for which it was designed.
- **Do not use the power tool if the switch does not turn it on and off.** Any power tool that cannot be controlled with the switch is dangerous and must be repaired.
- **Disconnect the plug from the power source and/or the battery pack from the power tool before making any adjustments, changing accessories, or storing power tools.** Such preventive safety measures reduce the risk of starting the power tool accidentally.
- **Store idle power tools out of the reach of children and do not allow persons unfamiliar with the power tool or these instructions to operate the power tool.** Power tools are dangerous in the hands of untrained users.
- **Maintain power tools.** Check for misalignment or binding of moving parts, breakage of parts and any other condition that may affect the power tool's operation. If damaged, have the power tool repaired before use. Many accidents are caused by poorly maintained power tools.
- **Keep cutting tools sharp and clean.** Properly maintained cutting tools with sharp cutting edges are less likely to bind and are easier to control.
- **Use the power tool, accessories and tool bits etc. in accordance with these instructions, taking into account the working conditions and the work to be performed.** Use of the power tool for operations different from those intended could result in a hazardous situation.

BATTERY TOOL USE AND CARE

- **Recharge only with the charger specified by the manufacturer.** A charger that is suitable for one type of battery pack may create a risk of fire when used with another battery pack.
- **Use power tools only with specifically designated battery packs.** Use of any other battery packs may create a risk of injury and fire.

- **When battery pack is not in use, keep it away from other metal objects like paper clips, coins, keys, nails, screws, or other small metal objects that can make a connection from one terminal to another.** Shorting the battery terminals together may cause burns or a fire.
- **Under abusive conditions, liquid may be ejected from the battery; avoid contact.** If contact accidentally occurs, flush with water. If liquid contacts eyes, additionally seek medical help. Liquid ejected from the battery may cause irritation or burns.

SERVICE

- **Have your power tool serviced by a qualified repair person using only identical replacement parts.** This will ensure that the safety of the power tool is maintained.

SPECIFIC SAFETY RULES

Cutting procedures

- **⚠ DANGER:** Keep hands away from cutting area and the blade. Keep your second hand on auxiliary handle, or motor housing. If both hands are holding the saw, they cannot be cut by the blade.
- **Do not reach underneath the workpiece.** The guard cannot protect you from the blade below the workpiece.
- **Adjust the cutting depth to the thickness of the workpiece.** Less than a full tooth of the blade teeth should be visible below the workpiece.
- **Never hold piece being cut in your hands or across your leg.** Secure the workpiece to a stable platform. It is important to support the work properly to minimize body exposure, blade binding, or loss of control.
- **Hold the power tool by insulated gripping surfaces only, when performing an operation where the cutting tool may contact hidden wiring.** Contact with a “live” wire will also make exposed metal parts of the power tool “live” and could give the operator an electric shock.
- **When ripping, always use a rip fence or straight edge guide.** This improves the accuracy of cut and reduces the chance of blade binding.
- **Always use blades with correct size and shape (diamond versus round) of arbour holes.** Blades that do not match the mounting hardware of the saw will run eccentrically, causing loss of control.
- **Never use damaged or incorrect blade washers or bolt.** The blade washers and bolt were specially designed for your saw, for optimum performance and safety of operation.

Further safety instructions for all saws Kickback causes and related warnings

- Kickback is a sudden reaction to a pinched, bound or misaligned saw blade, causing an uncontrolled saw to lift up and out of the workpiece toward the operator;
- When the blade is pinched or bound tightly by the kerf closing down, the blade stalls and the motor reaction drives the unit rapidly back toward the operator;

- If the blade becomes twisted or misaligned in the cut, the teeth at the back edge of the blade can dig into the top surface of the wood causing the blade to climb out of the kerf and jump back toward the operator.

Kickback is the result of saw misuse and/or incorrect operating procedures or conditions and can be avoided by taking proper precautions as given below:

- **Maintain a firm grip with both hands on the saw and position your arms to resist kickback forces. Position your body to either side of the blade, but not in line with the blade.** Kickback could cause the saw to jump backwards, but kickback forces can be controlled by the operator, if proper precautions are taken.
- **When blade is binding, or when interrupting a cut for any reason, release the trigger and hold the saw motionless in the material until the blade comes to a complete stop. Never attempt to remove the saw from the work or pull the saw backward while the blade is in motion or kickback may occur.** Investigate and take corrective actions to eliminate the cause of blade binding.
- **When restarting a saw in the workpiece, centre the saw blade in the kerf and check that saw teeth are not engaged into the material.** If saw blade is binding, it may walk up or kickback from the workpiece as the saw is restarted.
- **Support large panels to minimise the risk of blade pinching and kickback.** Large panels tend to sag under their own weight. Supports must be placed under the panel on both sides, near the line of cut and near the edge of the panel.
- **Do not use dull or damaged blades.** Unsharpened or improperly set blades produce narrow kerf causing excessive friction, blade binding and kickback.
- **Blade depth and bevel adjusting locking levers must be tight and secure before making cut.** If blade adjustment shifts while cutting, it may cause binding and kickback.
- **Use extra caution when sawing into existing walls or other blind areas.** The protruding blade may cut objects that can cause kickback.

Lower guard function

- **Check lower guard for proper closing before each use. Do not operate the saw if lower guard does not move freely and close instantly. Never clamp or tie the lower guard into the open position.** If saw is accidentally dropped, lower guard may be bent. Raise the lower guard with the retracting handle and make sure it moves freely and does not touch the blade or any other part, in all angles and depths of cut.
- **Check the operation of the lower guard spring.** If the guard and the spring are not operating properly, they must be serviced before use. Lower guard may operate sluggishly due to damaged parts, gummy deposits, or a build-up of debris.
- **Lower guard should be retracted manually only for special cuts such as “plunge cuts” and “compound cuts.”** Raise lower guard by

retracting handle and as soon as blade enters the material, the lower guard must be released. For all other sawing, the lower guard should operate automatically.

• **Always observe that the lower guard is covering the blade before placing saw down on bench or floor.** An unprotected, coasting blade will cause the saw to walk backwards, cutting whatever is in its path. Be aware of the time it takes for the blade to stop after switch is released.

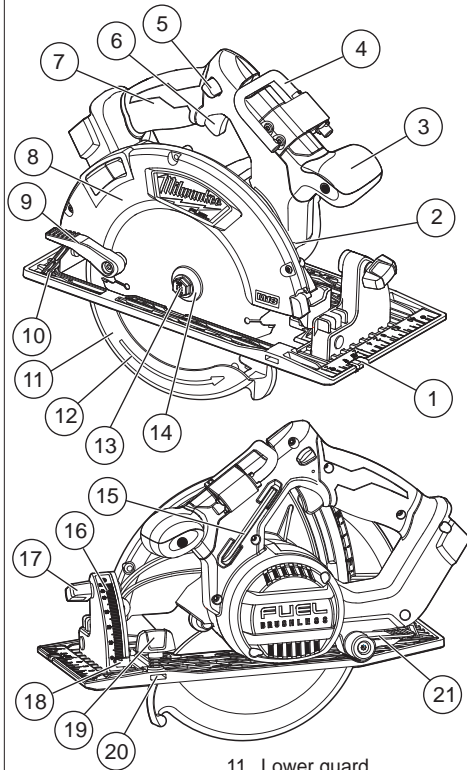
• **Maintain labels and nameplates.** These carry important information. If unreadable or missing, contact a **MILWAUKEE** service facility for a free replacement.

• **WARNING** Some dust created by power sanding, sawing, grinding, drilling, and other construction activities contains chemicals known to cause cancer, birth defects or other reproductive harm. Some examples of these chemicals are:

- lead from lead-based paint
- crystalline silica from bricks and cement and other masonry products, and
- arsenic and chromium from chemically-treated lumber.

Your risk from these exposures varies, depending on how often you do this type of work. To reduce your exposure to these chemicals: work in a well ventilated area, and work with approved safety equipment, such as those dust masks that are specially designed to filter out microscopic particles.

FUNCTIONAL DESCRIPTION



- | | |
|------------------------|------------------------------|
| 1. Sight lines | 11. Lower guard |
| 2. Spindle lock button | 12. Lower guard arrow |
| 3. Front handle | 13. Blade bolt |
| 4. Rafter hook | 14. Blade flange |
| 5. Lock-off button | 15. Wrench |
| 6. Trigger | 16. Bevel scale |
| 7. Handle | 17. Bevel adjusting knob |
| 8. Upper guard | 18. Bevel pointer |
| 9. Lower guard lever | 19. Rip fence adjusting knob |
| 10. Shoe | 20. Rip fence slot |
| | 21. Depth adjusting lever |

SYMBOLOLOGY

	Volts
	Direct Current
n_0 xxx min. ⁻¹	No Load Revolutions per Minute (RPM)
	Underwriters Laboratories, Inc. United States and Canada

SPECIFICATIONS

Cat. No.	Volts DC	No Load RPM	Blade Size	Arbor	Depth of Cut At 90°	Depth of Cut at 45°
2731-20	18	5000	7-1/4"	5/8"	0 to 2-1/2"	0 to 1-13/16"

ASSEMBLY

WARNING Recharge only with the charger specified for the battery. For specific charging instructions, read the operator's manual supplied with your charger and battery.

Inserting/Removing the Battery

To **remove** the battery, push in the release buttons and pull the battery pack away from the tool. To **insert** the battery, slide the pack into the body of the tool. Make sure it latches securely into place.

WARNING Always remove battery pack before changing or removing accessories. Only use accessories specifically recommended for this tool. Others may be hazardous.

Selecting Blade

Select a blade appropriate for your application. Refer to the "Accessories" section for a list of blades to be used for the proper applications of this tool. Always use sharp blades. Dull blades tend to overload the tool and increase the chance of KICK-BACK. Only use thin kerf blades with a maximum safe operating speed greater than the no load RPM marked on the tool's nameplate. Read the blade manufacturer's instructions before use. Do not use any type of abrasive cut-off wheel or dry diamond cutting blades. Use the correct blade type for your application. Using the wrong blade may result in reduced performance or damage to the blade. Do not use blades that are cracked or have broken teeth. Do not sharpen ferrous metal cutting blades; see the blade manufacturer's recommendations regarding sharpening.

Checking the Operation of the Lower Guard

Check the operation and condition of the lower guard lever. If the guard and the lever are not operating properly, they must be serviced before use. Lower guard may operate sluggishly due to damaged parts, gummy deposits, or a buildup of debris.

1. Remove battery pack before checking the lower guard.
2. Place the tool on its side.
3. Grasp the lower guard by the sides and push it all the way back into the blade housing.
4. Release the lower guard.

- If the guard immediately springs back into place, it is working correctly and you may continue with use.
- If the guard does not immediately spring back into place, clean the upper and lower guards to remove all chips and debris. Then, check the operation again by starting with step 1.
- If the guard still does not immediately spring back into place, contact a **MILWAUKEE** service facility for repairs.

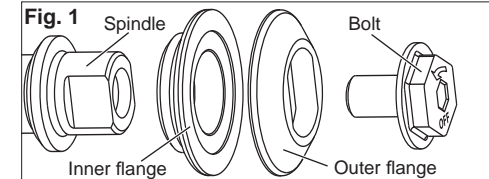
Installing and Removing Blades

1. **Remove battery pack before installing or removing blades.**

2. Place the saw on a flat surface with the blade facing upwards. To remove the bolt from the spindle, push in the spindle lock button. While holding in the spindle lock button, use the wrench provided with the tool to turn the bolt counterclockwise. Remove the bolt and blade flange.

3. Slide the lower guard lever up to raise the lower guard. Remove the blade from the spindle. Always clean the spindle, upper guard and lower guard to remove any dirt and sawdust.

NOTE: Do not remove inner blade flange. Larger diameter of inner flange (Fig. 1) should face the blade.



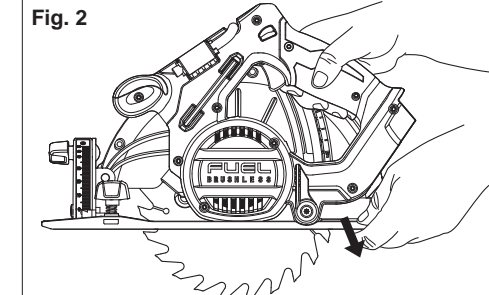
4. To install a blade, place the blade on the spindle with the teeth pointing in the same direction as the arrow on the lower guard. Release the lower guard lever.

5. Place the blade flange on the spindle and hand tighten the bolt.

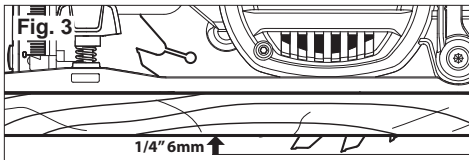
6. While holding in the spindle lock button, use the wrench to turn the bolt clockwise and tighten.

Adjusting Depth

1. Remove battery pack.
2. To adjust the depth of the cut, hold the saw by the handle and loosen the depth adjusting lever by pushing it down toward the shoe (Fig. 2).



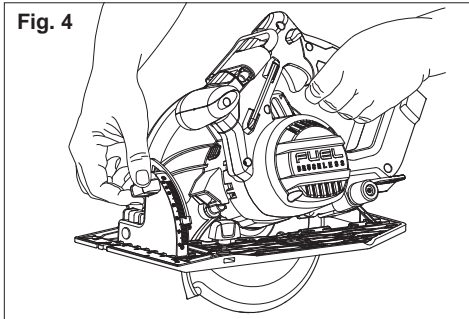
3. Raise or lower the shoe to the desired position. Markings in 1/4" increments are located on the inner side of the upper guard for depth setting. For the proper depth setting, the blade should extend no more than 1/8" to 1/4" below the material being cut (Fig. 3).



- Lift the depth adjusting lever up towards the motor housing to secure the shoe position.

Adjusting Bevel Angle

- Remove battery pack.
- To adjust the angle of the cut, hold the saw by the handle and loosen the bevel adjusting knob (Fig. 4).

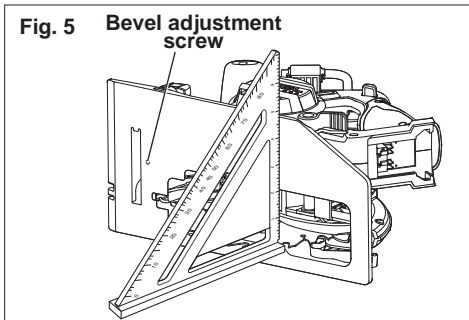


- Hold the front of the shoe and rotate the saw by the handle to the desired angle as indicated by the markings on the bevel scale.
- Tighten the bevel adjusting knob securely.

Adjusting the Blade to Shoe

The shoe has been adjusted at the factory to a 90 degree setting. Inspect the saw regularly to make sure the blade is 90 degrees to the shoe.

- Remove battery pack.
- Set the bevel pointer to zero.
- To make sure the blade is 90 degrees to the shoe, place saw on the blade side and retract lower guard. Place a square against the blade and shoe to inspect the degree setting (Fig. 5).



- To adjust the degree setting, loosen the bevel adjusting knob. Turn the bevel adjustment screw in or out until the blade is at a 90 degree angle with the shoe.
- Tighten the bevel adjusting knob securely.

OPERATION

WARNING Always remove battery pack before changing or removing accessories. Only use accessories specifically recommended for this tool. Others may be hazardous.

WARNING To reduce the risk of injury, keep hands away from the blade and other moving parts. Always wear safety goggles or glasses with side shields. Use only specifically recommended accessories. Others may be hazardous.

Kickback causes and related warnings

- Kickback is a sudden reaction to a pinched, bound or misaligned saw blade, causing an uncontrolled saw to lift up and out of the workpiece toward the operator;
- When the blade is pinched or bound tightly by the kerf closing down, the blade stalls and the motor reaction drives the unit rapidly back toward the operator;
- If the blade becomes twisted or misaligned in the cut, the teeth at the back edge of the blade can dig into the top surface of the wood causing the blade to climb out of the kerf and jump back toward the operator.

Kickback is the result of saw misuse and/or incorrect operating procedures or conditions and can be avoided by taking proper precautions as given below:

- Maintain a firm grip with both hands on the saw and position your arms to resist kickback forces. Position your body to either side of the blade, but not in line with the blade.** Kickback could cause the saw to jump backwards, but kickback forces can be controlled by the operator, if proper precautions are taken.
- When blade is binding, or when interrupting a cut for any reason, release the trigger and hold the saw motionless in the material until the blade comes to a complete stop. Never attempt to remove the saw from the work or pull the saw backward while the blade is in motion or kickback may occur.** Investigate and take corrective actions to eliminate the cause of blade binding.
- When restarting a saw in the workpiece, centre the saw blade in the kerf and check that saw teeth are not engaged into the material.** If saw blade is binding, it may walk up or kickback from the workpiece as the saw is restarted.
- Support large panels to minimise the risk of blade pinching and kickback.** Large panels tend to sag under their own weight. Supports must be placed under the panel on both sides, near the line of cut and near the edge of the panel.

•Do not use dull or damaged blades. Unsharpened or improperly set blades produce narrow kerf causing excessive friction, blade binding and kickback.

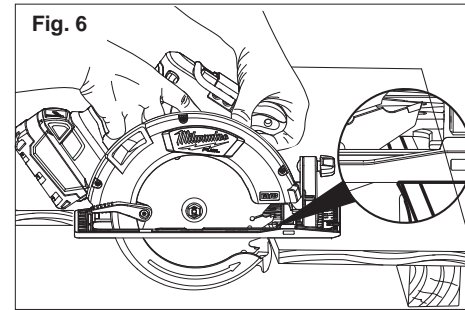
•Blade depth and bevel adjusting locking levers must be tight and secure before making cut. If blade adjustment shifts while cutting, it may cause binding and kickback.

•Use extra caution when sawing into existing walls or other blind areas. The protruding blade may cut objects that can cause kickback.

General Operation

Always clamp the workpiece securely on a saw horse or bench. See "APPLICATIONS" for the correct way to support your work in different situations.

- Draw a cutting line. Place the front of the shoe on the edge of the workpiece without making blade contact. Hold the handle with one hand and the front handle with the other (Fig. 6).



- Line up the sight line with your cutting line. Position your arms and body to resist KICKBACK.
- To start the saw, push the lock-off button down while pulling the trigger. Allow the motor to reach full speed before beginning cut.
- While cutting, keep the shoe flat against the workpiece and maintain a firm grip. Do not force the saw through the workpiece. Forcing a saw can cause KICKBACK.
- If making a partial cut, restarting in mid-cut or correcting direction, allow the blade to come to a complete stop. To resume cutting, center the blade in the kerf, back the saw away from cutting edge a few inches, push the lock-off button down while pulling the trigger and re-enter the cut slowly.
- If the saw binds and stalls, maintain a firm grip and release the trigger immediately. Hold the saw motionless in the workpiece until the blade comes to a complete stop.
- After finishing a cut, be sure the lower guard closes and the blade comes to a complete stop before setting the saw down.

Electric Brake

The electric brake engages when the trigger is released, causing the blade to stop and allowing you to proceed with your work. Generally, the saw blade stops within two seconds. However, there may be a delay between the time you release the trigger and when the brake engages. Occasionally the brake may miss completely. If the brake misses frequently, the saw needs servicing by an authorized MILWAUKEE service facility. The brake is not a substitute for the guard, and you must always wait for the blade to stop completely before removing the saw from the workpiece.

Troubleshooting

If the blade does not follow a straight line:

- Teeth are dull. This is caused by hitting a hard object such as a nail or stone, dulling teeth on one side. The blade tends to cut to the side with the sharpest teeth.
- Shoe is out of line or bent
- Blade is bent
- Rip fence or guide is not being used
- If the blade binds, smokes or turns blue from friction:
- Blade is dull
- Blade is on backwards
- Blade is bent
- Blade is dirty
- Workpiece is not properly supported
- Incorrect blade is being used
- Battery charge is low

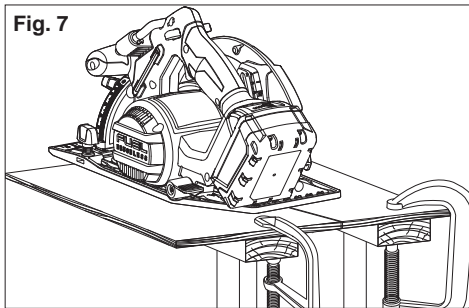
APPLICATIONS

Cutting Large Panels

Large panels and long boards sag or bend if they are not correctly supported. If you attempt to cut without leveling and properly supporting the workpiece, the blade will tend to bind, causing KICKBACK.

Support large panels (Fig. 7). Be sure to set the depth of the cut so that you only cut through the workpiece, not through the supports.

Fig. 7



Cross-Cutting Wood

Cross-cutting is cutting across the grain. Select the proper blade for your job. Advance the saw slowly to avoid splintering the wood.

Ripping Wood

Ripping is cutting lengthwise with the grain. Select the proper blade for your job. Use a rip fence for rips 4" wide or less. To install the rip fence, slide the bar through the rip fence slot in either side of the shoe. The width of the cut is the distance from the inside of the blade to the inside edge of the rip fence. Adjust the rip fence for the desired width, and lock the setting by tightening the rip fence adjusting knob.

When ripping widths greater than 4", clamp or tack 1/2" lumber to workpiece and use the edge of the shoe as a guide.

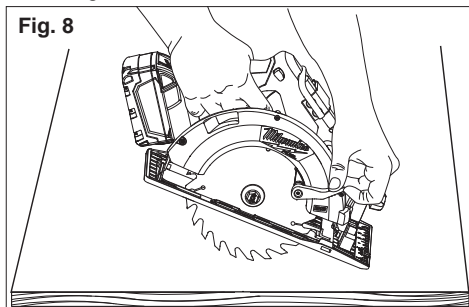
WARNING To reduce the risk of electric shock, check work area for hidden pipes and wires before making plunge cuts.

Plunge Cutting

Plunge cuts are made in the middle of the workpiece when it can not be cut from an edge. We recommend using a Sawzall® reciprocating saw or jig saw for this type of cut. However, if you must use a circular saw to make a plunge cut, USE EXTREME CAUTION. To maintain control of the saw during plunge cutting, keep both hands on the saw.

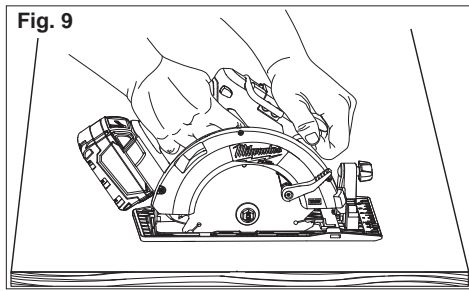
1. Beginning at a corner, line up the sight line with your cutting line. Tilt the saw forward, firmly fixing the front of the shoe on the workpiece (Fig. 8). The blade should be just above cutting line, but not touching it. Raise the lower guard using the lower guard lever.

Fig. 8



2. To start the saw, push the lock-off button down while pulling the trigger. Allow the motor to reach full speed before beginning cut. Using the front of the shoe as a hinge point, gradually lower the back end of the saw into the workpiece. Release the lower guard lever and grasp the front handle.
3. When the shoe rests flat against workpiece, advance the saw to the far corner (Fig. 9). Release the trigger and allow the blade to come to a complete stop before removing it from workpiece. Repeat the above steps for each side of the opening. Use a Sawzall® reciprocating saw, jig saw or small hand saw to finish the corners if they are not completely cut through.

Fig. 9



Overloading

Continuous overloading may cause permanent damage to tool or battery pack.

Cutting Masonry and Metal

MILWAUKEE circular saws are not intended for continuous use in cutting metal or masonry. When cutting these materials, use the correct blade. MILWAUKEE does not recommend using bonded abrasive wheels on circular saws for any application.

WARNING Dust, chips, and grit can cause guard to hang up at any time. If saw is used to cut masonry or metal, reserve and mark it for that purpose only and return it to a MILWAUKEE service facility for cleaning and testing before using it for wood cutting.

WARNING Only use accessories with maximum speed rating at least as high as nameplate RPM of tool.

When cutting masonry, use a diamond blade. Make successive passes at depths of less than 1/4" to achieve the desired depth. Cutting at a depth of more than 1/4" will damage wheel. Remove battery pack and frequently clean dust from air vents and guards.

WARNING Do not use tool for cutting metal near flammable material. Sparks may cause fire.

When cutting metal, use a metal cutting blade. Set depth of cut to full depth. Protect everyone in the area from sparks.

MAINTENANCE

WARNING To reduce the risk of injury, always unplug the charger and remove the battery pack from the charger or tool before performing any maintenance. Never disassemble the tool, battery pack or charger. Contact a MILWAUKEE service facility for ALL repairs.

Maintaining Tool

Keep your tool, battery pack and charger in good repair by adopting a regular maintenance program. After six months to one year, depending on use, return the tool, battery pack and charger to A MILWAUKEE service facility for:

- Lubrication
- Mechanical inspection and cleaning (gears, spindles, bearings, housing, etc.)
- Electrical inspection (battery pack, charger, motor)
- Testing to assure proper mechanical and electrical operation

If the tool does not start or operate at full power with a fully charged battery pack, clean the contacts on the battery pack. If the tool still does not work properly, return the tool, charger and battery pack, to a MILWAUKEE service facility for repairs.

WARNING To reduce the risk of personal injury and damage, never immerse your tool, battery pack or charger in liquid or allow a liquid to flow inside them.

Cleaning

Clean dust and debris from charger and tool vents. Keep tool handles clean, dry and free of oil or grease. Use only mild soap and a damp cloth to clean the tool, battery pack and charger since certain cleaning agents and solvents are harmful to plastics and other insulated parts. Some of these include gasoline, turpentine, lacquer thinner, paint thinner, chlorinated cleaning solvents, ammonia and household detergents containing ammonia. Never use flammable or combustible solvents around tools.

Repairs

For repairs, return the tool, battery pack and charger to the nearest service center.

ACCESSORIES

WARNING Always remove battery pack before changing or removing accessories. Only use accessories specifically recommended for this tool. Others may be hazardous.

For a complete listing of accessories refer to your MILWAUKEE Electric Tool catalog or go online to www.milwaukeetool.com. To obtain a catalog, contact your local distributor or service center.

LIMITED WARRANTY - USA AND CANADA

Every MILWAUKEE power tool (including cordless product – tool, battery pack(s) - see separate & distinct CORDLESS BATTERY PACK LIMITED WARRANTY statements & battery charger and Work Lights*) is warranted to the original purchaser only to be free from defects in material and workmanship. Subject to certain exceptions, MILWAUKEE will repair or replace any part on an electric power tool which, after examination, is determined by MILWAUKEE to be defective in material or workmanship for a period of five (5) years* after the date of purchase unless otherwise noted. Return of the power tool to a MILWAUKEE factory Service Center location or MILWAUKEE Authorized Service Station, freight prepaid and insured, is required. A copy of the proof of purchase should be included with the return product. This warranty does not apply to damage that MILWAUKEE determines to be from repairs made or attempted by anyone other than MILWAUKEE authorized personnel, misuse, alterations, abuse, normal wear and tear, lack of maintenance, or accidents.

*The warranty period for, Job Site Radios, M12™ Power Port, M18™ Power Source, and Trade Titan™ Industrial Work Carts is one (1) year from the date of purchase. The warranty period for a LED Work Light and LED Upgrade Bulb is a limited LIFETIME warranty to the original purchaser only, if during normal use the LED bulb fails the Work Light or Upgrade Bulb will be replaced free of charge.

*This warranty does not cover Air Nailers & Stapler, Airless Paint Sprayer, Cordless Battery Packs, Gasoline Driven Portable Power Generators, Hand Tools, Hoist – Electric, Lever & Hand Chain, M12™ Heated Jackets, Reconditioned product and Test & Measurement products. There are separate and distinct warranties available for these products.

Warranty Registration is not necessary to obtain the applicable warranty on a MILWAUKEE power tool product. The manufacturing date of the product will be used to determine the warranty period if no proof of purchase is provided at the time warranty service is requested.

ACCEPTANCE OF THE EXCLUSIVE REPAIR AND REPLACEMENT REMEDIES DESCRIBED HEREIN IS A CONDITION OF THE CONTRACT FOR THE PURCHASE OF EVERY MILWAUKEE PRODUCT. IF YOU DO NOT AGREE TO THIS CONDITION, YOU SHOULD NOT PURCHASE THE PRODUCT. IN NO EVENT SHALL MILWAUKEE BE LIABLE FOR ANY INCIDENTAL, SPECIAL, CONSEQUENTIAL OR PUNITIVE DAMAGES, OR FOR ANY COSTS, ATTORNEY FEES, EXPENSES, LOSSES OR DELAYS ALLEGED TO BE AS A CONSEQUENCE OF ANY DAMAGE TO, FAILURE OF, OR DEFECT IN ANY PRODUCT INCLUDING, BUT NOT LIMITED TO, ANY CLAIMS FOR LOSS OF PROFITS. SOME STATES DO NOT ALLOW THE EXCLUSION OR LIMITATION OF INCIDENTAL OR CONSEQUENTIAL DAMAGES, SO THE ABOVE LIMITATION OR EXCLUSION MAY NOT APPLY TO YOU. THIS WARRANTY IS EXCLUSIVE AND IN LIEU OF ALL OTHER EXPRESS WARRANTIES, WRITTEN OR ORAL. TO THE EXTENT PERMITTED BY LAW, MILWAUKEE DISCLAIMS ANY IMPLIED WARRANTIES, INCLUDING WITHOUT LIMITATION ANY IMPLIED WARRANTY OF MERCHANTABILITY OR FITNESS FOR A PARTICULAR USE OR PURPOSE; TO THE EXTENT SUCH DISCLAIMER IS NOT PERMITTED BY LAW, SUCH IMPLIED WARRANTIES ARE LIMITED TO THE DURATION OF THE APPLICABLE EXPRESS WARRANTY AS DESCRIBED ABOVE. SOME STATES DO NOT ALLOW LIMITATIONS ON HOW LONG AN IMPLIED WARRANTY LASTS, SO THE ABOVE LIMITATION MAY NOT APPLY TO YOU, THIS WARRANTY GIVES YOU SPECIFIC LEGAL RIGHTS, AND YOU MAY ALSO HAVE OTHER RIGHTS WHICH VARY FROM STATE TO STATE. This warranty applies to product sold in the U.S.A. and Canada only.

Please consult the 'Service Center Search' in the Parts & Service section of MILWAUKEE's website www.milwaukee.com or call 1.800.SAWDUST (1.800.729.3878) to locate your nearest service facility for warranty and non-warranty service on a Milwaukee electric power tool.

LIMITED WARRANTY - MEXICO, CENTRAL AMERICA AND CARIBBEAN

TECHTRONIC INDUSTRIES' warranty is for 5 year since the original purchase date.

This warranty card covers any defect in material and workmanship on this Power Tool.

To make this warranty valid, present this warranty card, sealed/stamped by the distributor or store where you purchased the product, to the Authorized Service Center (ASC). Or, if this card has not been sealed/stamped, present the original proof of purchase to the ASC.

Call toll-free 1 800 832 1949 to find the nearest ASC, for service, parts, accessories or components.

Procedure to make this warranty valid

Take the product to the ASC, along with the warranty card sealed/stamped by the distributor or store where you purchased the product, and there any faulty piece or component will be replaced without cost for you. We will cover all freight costs relative with this warranty process.

Exceptions

This warranty is not valid in the following situations:

- When the product is used in a different manners from the end-user guide or instruction manual.
- When the conditions of use are not normal.
- When the product was modified or repaired by people not authorized by TECHTRONIC INDUSTRIES.

Note: If cord set is damaged, it should be replaced by an Authorized Service Center to avoid electric risks.

Model: _____

Date of Purchase: _____

Distributor or Store Stamp: _____

SERVICE AND ATTENTION CENTER
Av Presidente Mazarik 29 Piso 7, 11570 Chapultepec Morales
Miguel Hidalgo, Distrito Federal, Mexico
Ph. 52 55 4160-3547

IMPORTED AND COMMERCIALIZED BY:
TECHTRONIC INDUSTRIES MEXICO, .S.A. DE C.V.
Av Presidente Mazarik 29 Piso 7, 11570 Chapultepec Morales
Miguel Hidalgo, Distrito Federal, Mexico

RÈGLES DE SÉCURITÉ GÉNÉRALES RELATIVES AUX OUTILS ÉLECTRIQUES

AVERTISSEMENT LIRE TOUTES LES RÈGLES ET INSTRUCTIONS DE SÉCURITÉ.
Ne pas suivre l'ensemble des règles et instructions peut entraîner un électrocution, un incendie ou des blessures graves. **Conserver les règles et les instructions à des fins de référence ultérieure.** Le terme «outil électrique» figurant dans les avertissements ci-dessous renvoie à l'outil électrique à alimentation par le réseau (à cordon) ou par batterie (sans fil).

SÉCURITÉ DU LIEU DE TRAVAIL

- **Maintenir la zone de travail propre et bien éclairée.** Les zones encombrées ou mal éclairées sont favorables aux accidents.
- **Ne pas utiliser d'outil électrique dans une atmosphère explosive, telle qu'en présence de liquides, de gaz ou de poussières inflammables.** Les outils électriques génèrent des étincelles qui peuvent enflammer les poussières ou les fumées.
- **Tenir les enfants et les personnes non autorisées à l'écart pendant le fonctionnement d'un outil électrique.** Un manque d'attention de l'opérateur risque de lui faire perdre le contrôle de l'outil.

SÉCURITÉ ÉLECTRIQUE

- **La fiche de l'outil électrique doit correspondre à la prise d'alimentation. Ne jamais modifier la fiche d'une manière quelconque. Ne pas utiliser d'adaptateur avec les outils électriques mis à la terre (à la masse).** Des fiches non modifiées et des prises d'alimentation assorties réduisent le risque de choc électrique.
- **Éviter tout contact corporel avec des surfaces reliées à la masse ou à la terre telles que tuyaux, radiateurs, cuisinières et réfrigérateurs.** Un risque de choc électrique plus élevé existe si le corps est relié à la masse ou à la terre.
- **Ne pas exposer les outils électriques à la pluie ou à l'humidité.** Le risque de choc électrique augmente si de l'eau s'infiltre dans un outil électrique.
- **Prendre soin du cordon. Ne jamais utiliser le cordon pour transporter, tirer ou débrancher l'outil électrique. Tenir le cordon à l'écart de la chaleur, des huiles, des arêtes coupantes ou des pièces en mouvement.** Un cordon endommagé ou emmêlé présente un risque accru de choc électrique.
- **Se procurer un cordon d'alimentation approprié en cas d'utilisation d'un outil électrique à l'extérieur.** L'utilisation d'un cordon d'alimentation pour usage extérieur réduit le risque de choc électrique.
- **S'il est nécessaire d'utiliser l'outil électrique dans un endroit humide, installer un disjoncteur différentiel (GFCI).** L'utilisation d'un GFCI réduit le risque de décharge électrique.

SÉCURITÉ INDIVIDUELLE

- **Être sur ses gardes, être attentif et faire preuve de bon sens en utilisant un outil électrique. Ne pas utiliser un outil électrique en cas de fatigue ou sous l'influence de drogues, d'alcool ou de médicaments.** Un instant d'inattention lors

de l'utilisation d'un outil électrique peut entraîner des blessures graves.

- **Porter l'équipement de protection requis. Toujours porter une protection oculaire.** Selon les conditions, porter aussi un masque anti-poussières, des bottes de sécurité antidérapantes, un casque protecteur ou une protection auditive afin de réduire les blessures.
- **Empêcher les démarrages accidentels. S'assurer que la gâchette est en position d'arrêt avant de brancher l'outil à une source de courant, d'insérer la batterie, de le ramasser ou de le transporter.** Le fait de transporter l'outil en gardant le doigt sur la gâchette ou de le brancher lorsque la gâchette est en position de marche favorise les accidents.
- **Retirer toute clé de réglage avant de mettre l'outil sous tension.** Une clé laissée attachée sur une pièce mobile de l'outil électrique peut entraîner des blessures.
- **Ne pas travailler à bout de bras. Bien garder un bon équilibre à tout instant.** Ceci permet de mieux préserver la maîtrise de l'outil électrique dans des situations imprévues.
- **Porter des vêtements adéquats. Ne pas porter de vêtements amples ni de bijoux. Ne pas approcher les cheveux, vêtements et gants des pièces en mouvement.** Les vêtements amples, les bijoux ou les cheveux longs risquent d'être happés par les pièces en mouvement.
- **Si des dispositifs sont prévus pour l'extraction et la récupération des poussières, vérifier qu'ils sont connectés et utilisés correctement.** L'utilisation de ces dispositifs peut réduire les risques liés aux poussières.

UTILISATION ET ENTRETIEN DE L'OUTIL ÉLECTRIQUE

- **Ne pas forcer l'outil électrique. Utiliser l'outil électrique approprié à l'application considérée.** L'outil électrique adapté au projet considéré produira de meilleurs résultats, dans des conditions de sécurité meilleures, à la vitesse pour laquelle il a été conçu.
- **Ne pas utiliser l'outil électrique si le commutateur ne le met pas sous ou hors tension.** Tout outil électrique dont le commutateur de marche-arrêt est inopérant est dangereux et doit être réparé.
- **Débrancher la fiche de la prise d'alimentation et/ou la batterie de l'outil électrique avant d'effectuer des réglages, de changer d'accessoires ou de ranger l'outil.** De telles mesures de sécurité préventive réduisent le risque de mettre l'outil en marche accidentellement.

- **Ranger les outils électriques inutilisés hors de la portée des enfants et ne pas laisser des personnes qui connaissent mal les outils électriques ou ces instructions utiliser ces outils.** Les outils électriques sont dangereux dans les mains d'utilisateurs non formés à leur usage.
- **Entretien des outils électriques.** S'assurer de l'absence de tout désalignement ou de grippage des pièces mobiles, de toute rupture de pièce ou de toute autre condition qui pourrait affecter le bon fonctionnement de l'outil électrique. En cas de dommages, faire réparer l'outil avant de l'utiliser de nouveau. Les outils électriques mal entretenus sont à la source de nombreux accidents.
- **Garder les outils de coupe affûtés et propres.** Les outils de coupe correctement entretenus et bien affûtés risquent moins de se gripper et sont plus faciles à manier.
- **Utiliser l'outil électrique, les accessoires, les grains etc. conformément à ces instructions en tenant compte des conditions de travail et de la tâche à effectuer.** L'utilisation de cet outil électrique pour effectuer une opération pour laquelle il n'est pas conçu peut occasionner une situation dangereuse.

UTILISATION ET ENTRETIEN DE LA BATTERIE

- **Ne recharger la batterie qu'avec le chargeur spécifié par le fabricant.** Un chargeur qui convient à un type de batterie peut créer un risque d'incendie s'il est utilisé avec un autre type de batterie.
- **N'utiliser les outils électriques qu'avec les batteries spécialement conçues pour eux.** L'utilisation de batteries d'autres marques peut créer un risque de blessure et d'incendie.
- **Lorsque la batterie est hors service, la ranger à l'écart d'autres objets métalliques tels que trombones, pièces de monnaie, clés, clous, vis et autres petits objets métalliques qui peuvent établir une connexion d'une borne à l'autre.** Un court-circuit aux bornes de la batterie peut provoquer des brûlures ou un incendie.
- **Du liquide peut être éjecté de la batterie en cas de manutention abusive ; éviter tout contact. En cas de contact accidentel avec les projections, rincer à l'eau. En cas de contact avec les yeux, consulter un médecin.** Le liquide s'échappant de la batterie peut provoquer des irritations ou des brûlures.

ENTRETIEN

- **Faire effectuer l'entretien de l'outil électrique par un technicien qualifié qui n'utilisera que des pièces de rechange identiques.** La sécurité d'utilisation de l'outil en sera préservée.

RÈGLES DE SÉCURITÉ SPÉCIFIQUES

Consignes de sécurité pour toutes les scies
Méthodes de coupe

- **⚠ DANGER :** Garder les mains à l'écart de la zone de coupe et de la lame. Garder la deuxième main sur la poignée auxiliaire ou le

carter du moteur. Lorsque les deux mains sont utilisées pour tenir la scie, elles ne risquent pas d'être coupées par la lame.

- **Ne pas mettre les mains sous la pièce à travailler.** La garde de lame n'offre aucune protection en-dessous de la pièce à couper.
- **Ajuster la profondeur de coupe à l'épaisseur de la pièce à couper.** Moins d'une dent complète des dents de la lame doit être visible sous la pièce à couper.
- **Ne jamais tenir à la main une pièce en train d'être coupée et ne pas la poser sur la jambe. Fixer la pièce à couper sur une plate-forme stable.** Il est essentiel de soutenir correctement la pièce à couper pour éviter les risques de coupure, de blocage de la lame et de perte du contrôle.
- **Lorsque l'outil est utilisé pour un travail risquant de mettre l'outil de coupe en contact avec des fils électriques cachés, le tenir par les surfaces de prise isolées uniquement.** Le contact avec un fil sous tension « électrifié » également les pièces métalliques exposées de l'outil et peut électrocuter l'utilisateur.
- **Pour les coupes en long, utiliser toujours un guide longitudinal ou une règle.** Ceci accroît la précision de la coupe et réduit le risque de blocage de la lame.
- **Toujours utiliser des lames dont l'alésage central est de dimension et de forme adéquates (ruban à tranchant au diamant ou lame ronde).** Une lame incompatible avec la quincaillerie de montage de la scie tournerait en faux rond, causant la perte du contrôle.
- **Ne jamais utiliser de rondelles ou boulons de lame incorrects ou endommagés.** Les rondelles et boulons de lame fournis sont conçus spécialement pour assurer l'efficacité et la sécurité maximale de votre scie.

Autres consignes de sécurité pour toutes les scies

Causes de rebond et avertissements associés

- Le rebond est une réaction soudaine, causée par une lame coincée, bloquée ou mal alignée et projetant la scie hors de la pièce coupée vers le haut, en direction de l'opérateur.
- Lorsque la lame est pincée ou bloquée par la fermeture du trait de coupe, elle se bloque et la force du moteur projette la scie en direction de l'opérateur.
- Si la lame dévie dans le trait de coupe, les dents de l'arrière risquent de mordre la surface de la planche, causant la projection de la lame hors du bois, en direction de l'opérateur.

Le rebond est causé par une mauvaise utilisation de la scie et/ou des méthodes de travail incorrectes et il peut être évité en prenant les précautions suivantes :

- **Maintenir fermement la scie avec les deux mains et placer vos bras de manière à résister aux rebonds. Placer le corps d'un côté ou de l'autre de la lame, et non dans la ligne de coupe.** Un rebond pourrait faire sauter la lame en arrière, mais les rebonds peuvent être contrôlés par l'opérateur si des précautions appropriées sont prises.

- **Si la lame se bloque ou si la coupe est interrompue pour une raison quelconque, relâcher la gâchette et maintenir la lame dans le trait de coupe jusqu'à ce qu'elle ait complètement cessé de tourner. Pour éviter un rebond, ne jamais essayer de retirer la scie de la pièce ou de la tirer en arrière pendant que la lame est en rotation.** Déterminer et éliminer la cause du blocage de la lame.

- **Avant de remettre la scie en marche lorsqu'elle est engagée dans le bois, centrer la lame dans le trait de scie et s'assurer que les dents ne mordent pas dans le bois.** Si la lame est bloquée, elle peut causer un rebond et l'éjection du trait de coupe lorsque la scie est remise en marche.

- **Soutenir les planches de grande taille afin d'éviter les risques de pincement et de rebond de la lame.** Les planches longue ont tendance à ployer sous leur propre poids. Des supports doivent être placés sous la planche, de chaque côté, près du trait de coupe et du bord de la planche.

- **Ne pas utiliser de lames émoussées ou endommagées.** Une lame émoussée ou incorrectement réglée produit un trait de scie étroit, causant le pincement de la lame et le rebond.

- **Les leviers de réglage de profondeur et d'angle de coupe doivent être fermement serrés et assujettis avant de commencer la coupe.** Si la lame se dérègle en cours de coupe, elle peut se bloquer et causer un rebond.

- **Redoubler de prudence lors du sciage dans des cloisons existantes ou d'autres endroits sans visibilité arrière.** La lame peut heurter des objets ou matériaux causant un rebond.

Fonction de la garde inférieure

- **Avant chaque utilisation, s'assurer que la garde inférieure se ferme correctement. Ne pas utiliser la scie si la garde inférieure ne fonctionne pas librement ou ne se ferme pas instantanément. Ne jamais bloquer la garde inférieure en position ouverte.** En cas de chute accidentelle de la scie, la garde inférieure peut se déformer. Relever la garde inférieure avec la poignée de rétraction et vérifier qu'elle fonctionne librement et ne touche ni la lame, ni aucune autre pièce, quelle que soit l'angle ou la profondeur de coupe.

- **Vérifier le fonctionnement du ressort de la garde inférieure. Tout problème de fonctionnement de la garde et du ressort doit être corrigé avant d'utiliser la scie.** Les pièces endommagées, les résidus gommeux et les accumulations de débris peuvent ralentir le fonctionnement de la garde inférieure.

- **La garde inférieure ne doit être rétractée manuellement que pour les coupes spéciales telles que les « coupes en plongée » et les « coupes composées ».** Relever la garde inférieure en rétractant la poignée et dès que la lame pénètre dans le matériau; la garde inférieure doit aussi être relâchée. Pour tous les autres types de coupe, la garde doit fonctionner automatiquement.

- **Toujours s'assurer que la garde inférieure couvre la lame avant de poser la scie sur le sol ou un établi.** Une lame non protégée tournant en roue libre causerait un mouvement en arrière de la scie, qui couperait tout ce qui se trouve sur son passage. Tenir compte du temps nécessaire à l'arrêt complet de la lame une fois que la gâchette est relâchée.




- **Maintenir en l'état les étiquettes et les plaques d'identification.** Des informations importantes y figurent. Si elles sont illisibles ou manquantes, contacter un centre de services et d'entretien MILWAUKEE pour un remplacement gratuit.

- **AVERTISSEMENT** Certaines poussières générées par les activités de ponçage, de coupe, de rectification, de perçage et d'autres activités de construction contiennent des substances considérées être la cause de malformations congénitales et de troubles de l'appareil reproducteur. Parmi ces substances figurent:

- le plomb contenu dans les peintures à base de plomb
- la silice cristalline des briques, du ciment et d'autres matériaux de maçonnerie, ainsi que
- l'arsenic et le chrome des sciages traités chimiquement.

Les risques encourus par l'opérateur envers ces expositions varient en fonction de la fréquence de ce type de travail. Pour réduire l'exposition à ces substances chimiques, l'opérateur doit : travailler dans une zone bien ventilée et porter l'équipement de sécurité approprié, tel qu'un masque anti-poussière spécialement conçu pour filtrer les particules microscopiques.

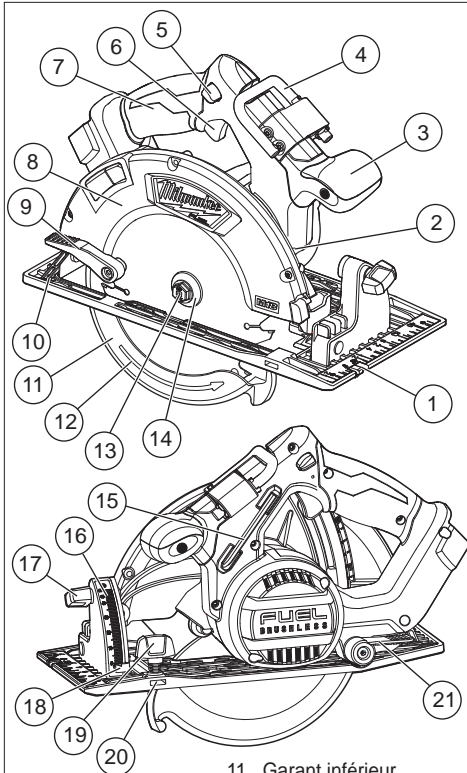
PICTOGRAPHIE

	Volts
	Tension CD seul.
$n_0 \text{ XXXX min}^{-1}$	Tours à vide par minute (RPM)
	Underwriters Laboratories, Inc., États-Unis et Canada

SPECIFICATIONS

No de Cat.	Volts cd	RPM	Taille de la lame	Alésage	Profondeur de coupe à 90°	Profondeur de coupe à 45°
2731-20	18	5 000	184 mm (7-1/4")	5/8"	0 à 63,5 mm (0 à 2-1/2")	0 à 46 mm (0 à 1-13/16")

FUNCTIONAL DESCRIPTION



- | | |
|------------------------------------|--|
| 1. Ligne de vue | 11. Garant inférieur |
| 2. Bouton de verrouillage de l'axe | 12. Flèche sur le garant inférieur |
| 3. Poignée avant | 13. Vis de lame |
| 4. Crochet de rangement | 14. Bride de lame |
| 5. Bouton de verrouillage | 15. Clé |
| 6. Détenante | 16. Échelle de biseau |
| 7. Poignée | 17. Molette de réglage du biseau |
| 8. Garant supérieur | 18. Indicateur de biseau |
| 9. Levier du garant inférieur | 19. Molette de réglage du guide longitudinal |
| 10. Patin | 20. Fente du guide longitudinal |
| | 21. Levier de réglage de la profondeur |

MONTAGE DE L'OUTIL

AVERTISSEMENT Ne recharger la batterie qu'avec le chargeur spécifié. Pour les instructions de charge spécifiques, lire le manuel d'utilisation fourni avec le chargeur et les batteries.

Insertion/Retrait de la batterie

Pour retirer la batterie, enfoncer les boutons de déverrouillage et la tirer hors de l'outil. Pour insérer la batterie, la glisser dans le corps de l'outil. S'assurer qu'elle est fixée solidement.

AVERTISSEMENT Il faut toujours retirer la batterie et verrouiller la détente de l'outil avant de changer ou d'enlever les accessoires. L'emploi d'accessoires autres que ceux qui sont expressément recommandés pour cet outil peut comporter des risques.

Choix d'une lame

Choisissez une lame adaptée à votre application. Reportez-vous à la section « Accessoires » pour une liste des lames à utiliser dans les applications correctes de cet outil.

Utilisez toujours des lames bien affûtées. Les lames émoussées tendent à surcharger l'outil et à accroître les risques de RECUL. N'utilisez que des lames à saignée étroite dont la vitesse maximum admissible est supérieure à la vitesse à vide indiquée sur la plaque signalétique de l'outil. Lisez les directives du fabricant de la lame avant de l'utiliser. N'utilisez aucun type de meule à tronçonner ou de disque diamant pour tronçonnage à sec. Utilisez le type de lame approprié à la tâche. L'utilisation d'une lame incorrecte risque de réduire le rendement ou d'endommager la lame. N'utilisez pas de lames fêlées ni de lames dont des dents sont cassées. N'affûtez pas les lames pour métaux ferreux; suivez les conseils d'affûtage du fabricant de la lame.

Vérification du fonctionnement du protecteur inférieur

Vérifiez le fonctionnement et l'état du ressort du levier protecteur. Si le protecteur et le levier ne fonctionnent pas correctement, vous devez les réparer avant d'utiliser la scie. Il peut arriver que le protecteur inférieur fonctionne lentement à cause de la présence de pièces endommagées, d'un encrassement ou d'une accumulation de débris.

- Retirer la batterie avant de vérifier le protecteur inférieur.
- Placez l'outil sur le côté.
 - N.B. :** Si l'outil n'est pas placé sur le côté, cette méthode n'indique pas si le protecteur inférieur fonctionne correctement.
- Saisissez le protecteur inférieur par les côtés et poussez-le sur toute sa course dans le logement de la lame.
- Relâchez le protecteur inférieur.
 - Si le protecteur revient immédiatement à sa position d'origine, il fonctionne correctement et vous pouvez continuer à l'utiliser.

- Si le protecteur ne revient pas immédiatement à sa position d'origine, nettoyez les protecteurs supérieur et inférieur afin d'éliminer la sciure et les débris. Vérifiez de nouveau son fonctionnement en reprenant l'étape 1.
- Si le protecteur ne fonctionne toujours pas, contactez un centre de service MILWAUKEE pour le faire réparer.

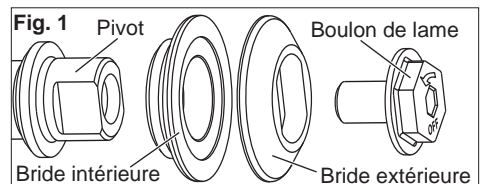
Installation et démontage des lames

1. Retirer la batterie avant l'installation ou le démontage des lames.

2. Mettre la scie sur une surface plate avec la lame vers le haut. Pour retirer la vis de l'axe, enfoncer le bouton de verrouillage de l'axe. Tout en maintenant le bouton de verrouillage de l'axe enfoncé, utiliser la clé fournie avec l'outil pour tourner la vis dans le sens anti-horaire. Retirer la vis et la bride de la lame.

3. Faire glisser le levier du garant inférieur vers le haut pour relever le garant inférieur. Retirer la lame de l'axe. Toujours nettoyer l'axe, le garant inférieur et le garant supérieur pour éliminer la saleté et la sciure.

N.B. : N'enlevez pas la bride intérieure de lame. Le plus grand diamètre de la bride intérieure doit appuyer sur la lame (Fig. 1).



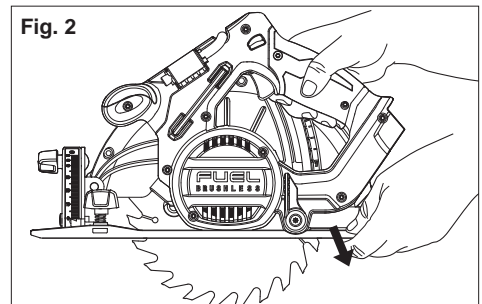
4. Pour installer une lame, la placer sur l'axe avec les dents pointant dans la même direction que la flèche sur le garant inférieur. Relâcher le levier du garant inférieur.

5. Placer la bride de la lame sur l'axe et serrer la vis à la main.

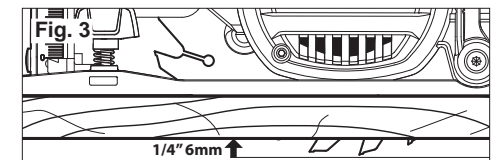
6. Tout en maintenant le bouton de verrouillage de l'axe enfoncé, utiliser la clé fournie avec l'outil pour tourner la vis dans le sens horaire et serrer.

Réglage de la profondeur

- Retirer la batterie.
- Pour régler la profondeur de coupe, maintenir la scie par la poignée et desserrer le levier de réglage de la profondeur en le poussant vers le bas, en direction du patin (Fig. 2).



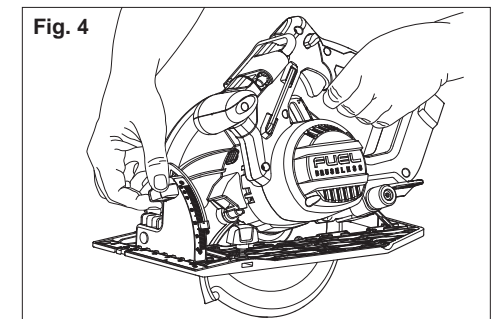
3. Relever ou abaisser le patin à la position souhaitée. Des repères à incréments d'6 mm (1/4") sont situés sur les côtés intérieurs du garant supérieur pour le réglage de la profondeur. Pour le réglage correct de la profondeur, la lame ne doit pas être déployée de plus d'3 à 6 mm (1/8" à 1/4") au-dessous du matériau à couper (Fig. 3).



4. Relever le levier de réglage de la profondeur vers le haut en direction du carter du moteur pour fixer la position du patin.

Réglage de l'angle du biseau

- Retirer la batterie.
- Pour régler l'angle de coupe, maintenir la scie par la poignée et desserrer la molette de réglage du biseau (Fig. 4).



- Maintenir l'avant du patin et faire tourner la scie par la poignée à l'angle souhaité comme indiqué par les repères de l'échelle du biseau.
- Serrer fermement la molette de réglage du biseau.

Réglage de la lame au patin

Le patin a été réglé en usine à un angle de 90°. Inspecter régulièrement la scie pour s'assurer que la lame est à 90° du patin.

1. Retirer la batterie.
2. Régler l'indicateur de biseau sur zéro.
3. Pour s'assurer que la lame est à 90 degrés du patin, placer la scie sur le côté de la lame et rétracter le garant inférieur. Placer une équerre contre la lame et le patin et vérifier le réglage de l'inclinaison (Fig. 5).
4. Pour régler l'inclinaison, desserrer la molette de réglage du biseau. Visser ou dévisser la vis de réglage du biseau jusqu'à ce que la lame soit à un angle de 90° du patin.
5. Serrer fermement la molette de réglage du biseau.

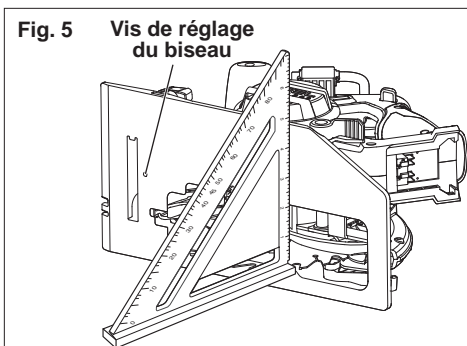


Fig. 5
Vis de réglage
du biseau

MANIEMENT

AVERTISSEMENT Il faut toujours retirer la batterie et verrouiller la détente de l'outil avant de changer ou d'enlever les accessoires. L'emploi d'accessoires autres que ceux qui sont expressément recommandés pour cet outil peut comporter des risques.

AVERTISSEMENT Pour réduire le risque de blessures, garder les mains à l'écart de la lame et des autres pièces en mouvement. Toujours porter des lunettes à coques ou des lunettes de protection avec écrans latéraux. N'utiliser que les accessoires spécifiquement recommandés. Les accessoires non recommandés peuvent présenter des dangers.

Causes de rebond et avertissements associés

- Le rebond est une réaction soudaine, causée par une lame coincée, bloquée ou mal alignée et projetant la scie hors de la pièce coupée vers le haut, en direction de l'opérateur.
- Lorsque la lame est pincée ou bloquée par la fermeture du trait de coupe, elle se bloque et la force du moteur projette la scie en direction de l'opérateur.
- Si la lame dévie dans le trait de coupe, les dents de l'arrière risquent de mordre la surface de la planche, causant la projection de la lame hors du bois, en direction de l'opérateur.

Le rebond est causé par une mauvaise utilisation de la scie et/ou des méthodes de travail incorrectes et il peut être évité en prenant les précautions suivantes :

• **Maintenir fermement la scie avec les deux mains et placer vos bras de manière à résister aux rebonds. Placer le corps d'un côté ou de l'autre de la lame, et non dans la ligne de coupe.** Un rebond pourrait faire sauter la lame en arrière, mais les rebonds peuvent être contrôlés par l'opérateur si des précautions appropriées sont prises.

• **Si la lame se bloque ou si la coupe est interrompue pour une raison quelconque, relâcher la gâchette et maintenir la lame dans le trait de coupe jusqu'à ce qu'elle ait complètement cessé de tourner. Pour éviter un rebond, ne jamais essayer de retirer la scie de la pièce ou de la tirer en arrière pendant que la lame est en rotation.** Déterminer et éliminer la cause du blocage de la lame.

• **Avant de remettre la scie en marche lorsqu'elle est engagée dans le bois, centrer la lame dans le trait de scie et s'assurer que les dents ne mordent pas dans le bois.** Si la lame est bloquée, elle peut causer un rebond et l'éjection du trait de coupe lorsque la scie est remise en marche.

• **Soutenir les planches de grande taille afin d'éviter les risques de pincement et de rebond de la lame.** Les planches longues ont tendance à ployer sous leur propre poids. Des supports doivent être placés sous la planche, de chaque côté, près du trait de coupe et du bord de la planche.

• **Ne pas utiliser de lames émoussées ou endommagées.** Une lame émoussée ou incorrectement réglée produit un trait de scie étroit, causant le pincement de la lame et le rebond.

• **Les leviers de réglage de profondeur et d'angle de coupe doivent être fermement serrés et assujettis avant de commencer la coupe.** Si la lame se dérègle en cours de coupe, elle peut se bloquer et causer un rebond.

• **Redoubler de prudence lors du sciage dans des cloisons existantes ou d'autres endroits sans visibilité arrière.** La lame peut heurter des objets ou matériaux causant un rebond.

Fonctionnement général

Toujours fixer fermement la pièce de travail sur un chevalet de sciage ou un établi. Voir «APPLICATIONS» pour la façon correcte de supporter la pièce de travail dans diverses situations.

1. Tracer une ligne de coupe. Placer l'avant du patin sur le bord de la pièce de travail sans toucher la lame. Maintenir la poignée d'une main et la poignée avant de l'autre (Fig. 6).

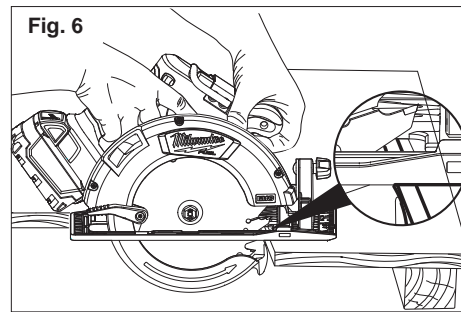


Fig. 6

2. Aligner la ligne de vue avec la ligne de coupe. Positionner les bras et le corps pour résister à un REBOND éventuel.

3. Pour mettre la scie en marche, pousser le bouton de verrouillage vers le bas tout en appuyant sur la détente. Laisser le moteur atteindre sa pleine vitesse avant de commencer à couper.

4. Tout en découpant, maintenir le patin plat contre la pièce de travail et maintenir une prise ferme. Ne pas forcer la scie à travers la pièce de travail. Le fait de forcer une scie peut provoquer un REBOND.

5. En cas de coupe partielle, de redémarrage à mi-coupe ou de correction de la direction, attendre l'arrêt complet de la lame. Centrer la lame dans le trait de scie, dégager la scie du bord de coupe de quelques centimètres, appuyer sur la détente et pénétrer de nouveau lentement dans la fente.

6. Si la lame se grippe ou cale, maintenir une prise ferme et relâcher immédiatement la détente. Maintenir la scie immobile dans la pièce de travail jusqu'à ce que la lame s'arrête complètement.

7. Après avoir terminé une coupe, s'assurer que le garant inférieur se ferme et que la lame s'arrête complètement avant de poser la scie.

Frein électrique

Le frein électrique s'enclenche lors du relâchement de la pression sur la détente, ce qui a pour effet d'immobiliser la lame et de permettre à l'opérateur de poursuivre son travail. La lame de scie s'immobilise généralement dans les deux secondes qui suivent. Un délai peut se produire toutefois entre le relâchement total de la pression exercée sur la détente et l'enclenchement du frein. Il se peut qu'occasionnellement le frein ne s'enclenche pas du tout. En cas de dysfonctionnement fréquent du frein, faire réparer la scie par un centre d'entretien MILWAUKEE agréé. Le frein n'est pas une alternative au garant et il faut toujours attendre l'arrêt complet de la lame avant de retirer la scie de la pièce de travail.

Dépannage

Si la lame ne suit pas une ligne droite:

• Les dents sont émoussées. Ceci résulte du heurt avec un objet dur tel qu'une pointe ou une pierre, émoussant les dents d'un côté. La lame a tendance à couper du côté ayant les dents les plus affûtées.

- Le patin n'est pas aligné ou est tordu
- La lame est tordue

• Le guide longitudinal ou le guide ne sont pas utilisés

Si la lame se grippe, fume ou bleuit en raison de la friction:

- La lame est émoussée
- La lame est montée à l'envers
- La lame est tordue
- La lame est sale
- La pièce de travail n'est pas correctement supportée
- Une lame incorrecte est utilisée
- Les piles sont déchargées

APPLICATIONS

Coupe de grands panneaux

Les grands panneaux et les longues planches fléchissent ou ploient s'ils ne sont pas correctement supportés. En cas de coupe d'une pièce de travail qui n'est ni de niveau ni supportée, la lame risque de se gripper et de provoquer des REBONDS.

Supporter les grands panneaux (Fig. 7). S'assurer de régler la profondeur de coupe afin de ne couper qu'à travers la pièce de travail et non pas à travers les supports.

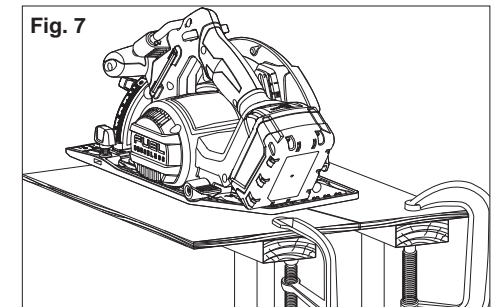


Fig. 7

Sciage de bois transversal

Le sciage transversal consiste à scier en travers du grain. Sélectionner la lame correcte pour le travail. Avancer la scie lentement pour éviter l'éclatement du bois.

Sciage de bois longitudinal

Le sciage longitudinal consiste à scier dans le sens de la longueur avec le grain. Sélectionner la lame correcte pour le travail. Utiliser un guide longitudinal ou un guide de bordure pour des sciages en long d'une largeur maximale de 100 mm (4 pouces). Pour installer le guide longitudinal, faire glisser la barre par la fente du guide longitudinal sur un des deux côtés du patin. La largeur de coupe est la distance de l'intérieur de la lame au bord intérieur du guide longitudinal. Régler le guide longitudinal pour la largeur souhaitée et verrouiller le réglage en serrant la molette de réglage du guide longitudinal.

Quand les largeurs de sciage longitudinal sont supérieures à 100 mm (4 pouces), brider ou clouer une pièce de bois d'13 mm (1/2 pouce) à la pièce de travail et utiliser le bord intérieur du patin comme un guide.

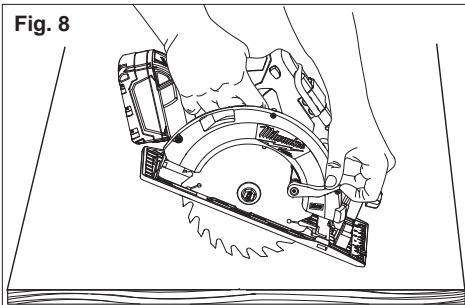
AVERTISSEMENT Pour réduire les risques de chocs électriques, vérifier la zone de travail à la recherche de tuyaux et de fils cachés avant d'effectuer des coupes en alvéole.

Coupe en alvéole

Les coupes en alvéole sont faites au milieu d'une pièce de travail lorsqu'elle ne peut pas être découpée à partir d'un bord. Il est recommandé d'utiliser une scie alternative Sawzall® ou une scie sauteuse pour ce type de coupe. Toutefois, s'il est nécessaire d'utiliser une scie circulaire pour effectuer une coupe en alvéole, FAIRE PREUVE D'EXTRÊME PRUDENCE. Pour garder le contrôle de la scie lors de la coupe en alvéole, maintenir les deux mains sur la scie.

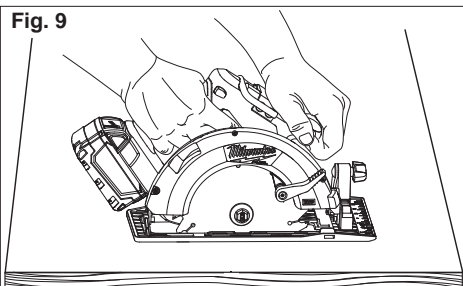
1. Commencer à un coin, aligner la ligne de vue avec la ligne de coupe. Basculer la scie vers l'avant, en fixant fermement l'avant du patin sur la pièce de travail (Fig. 8). La lame doit être juste au-dessus de la ligne de coupe, sans la toucher. Relever le garant inférieur en utilisant le levier du garant inférieur.

Fig. 8



2. Pour mettre la scie en marche, pousser le bouton de verrouillage vers le bas tout en appuyant sur la détente. Attendre que le moteur atteigne sa pleine vitesse avant de commencer à couper. En utilisant l'avant du patin comme un point de charnière, abaisser progressivement l'extrémité arrière de la scie dans la pièce de travail. Relâcher le levier du garant inférieur et saisir la poignée avant.
3. Quand le patin repose à plat contre la pièce de travail, avancer la scie vers le coin éloigné (Fig. 9). Relâcher la détente et laisser la lame s'arrêter complètement avant de la retirer de la pièce de travail. Répéter les étapes ci-dessus pour chaque côté de l'ouverture. Utiliser une scie alternative Sawzall®, une scie sauteuse ou une petite scie égoïne pour finir les coins s'ils ne sont pas complètement coupés.

Fig. 9



Surcharge

Une surcharge continue peut endommager irrémédiablement l'outil ou la batterie.

Coupe de la maçonnerie et du métal

AVERTISSEMENT La poussière, les copeaux et les grains peuvent bloquer la protection dans une position ouverte en tout temps. Si la scie doit servir à couper des matériaux de maçonnerie ou du métal, la réserver uniquement pour ce type d'opération et la retourner au centre d'entretien de MILWAUKEE afin de la faire nettoyer et de la tester avant de l'utiliser pour couper du bois.

AVERTISSEMENT Utiliser uniquement des accessoires dotés d'une cote de vitesse maximale qui est au moins égale à la vitesse de rotation (en r/min) inscrite sur la plaque signalétique de l'outil.

Pour couper des matériaux de maçonnerie, utiliser une lame de diamant. Faire des cannelures successives d'une profondeur de moins de 6 mm (1/4 po) afin d'obtenir la profondeur désirée. Si la profondeur de coupe dépasse 6 mm (1/4 po), la meule sera endommagée. Retirer la batterie et enlever fréquemment la poussière des événements d'aération et des protège-lame.

AVERTISSEMENT Ne pas utiliser l'outil pour couper du métal à proximité de matériaux inflammables. Les étincelles peuvent provoquer un incendie.

Pour couper du métal, utiliser une lame pour coupe de métal. Régler la profondeur de coupe au maximum. S'assurer que toutes les personnes se trouvant à proximité sont à l'abri des étincelles.

ACCESOIRES

AVERTISSEMENT Retirez toujours la batterie avant de changer ou d'enlever les accessoires. L'utilisation d'autres accessoires que ceux qui sont spécifiquement recommandés pour cet outil peut comporter des risques.

Pour une liste complète des accessoires, prière de se reporter au catalogue MILWAUKEE Electric Tool ou visiter le site internet www.milwaukeetool.com. Pour obtenir un catalogue, il suffit de contacter votre distributeur local ou l'un des centres-service.

ENTRETIEN

AVERTISSEMENT Pour minimiser les risques de blessures corporelles, débranchez le chargeur et retirez la batterie du chargeur ou de l'outil avant d'y effectuer des travaux d'entretien. Ne démontez jamais l'outil, la batterie ou le chargeur. Pour toute réparation, consultez un centre de service MILWAUKEE accrédité.

Entretien de l'outil

Gardez l'outil, la batterie et le chargeur en bon état en adoptant un programme d'entretien ponctuel. Après une période de six mois à un an, selon l'utilisation, renvoyez l'outil, la batterie et le chargeur à un centre de service MILWAUKEE accrédité pour les services suivants:

- Lubrification
- Inspection et nettoyage de la mécanique (engrenages, pivots, coussinets, boîtier etc.)
- Inspection électrique (batterie, chargeur, moteur)
- Vérification du fonctionnement électromécanique

Si l'outil ne démarre pas ou ne fonctionne pas à pleine puissance alors qu'il est branché sur une batterie complètement chargée, nettoyez les points de contact entre la batterie et l'outil. Si l'outil ne fonctionne toujours pas correctement, renvoyez l'outil, le chargeur et la batterie à un centre de service MILWAUKEE accrédité, afin qu'on en effectue la réparation (voir "Réparations").

AVERTISSEMENT Pour minimiser les risques de blessures ou de dommages à l'outil, n'immergez jamais l'outil, la batterie ou le chargeur et ne laissez pas de liquide s'y infiltrer.

Nettoyage

Débarrassez les événements du chargeur et de l'outil des débris et de la poussière. Gardez les poignées de l'outil propres, à sec et exemptes d'huile ou de graisse. Le nettoyage de l'outil, du chargeur et de la batterie doit se faire avec un linge humide et un savon doux. Certains nettoyants tels l'essence, la térébenthine, les diluants à laque ou à peinture, les solvants chlorés, l'ammoniaque et les détergents d'usage domestique qui en contiennent pourraient détériorer le plastique et l'isolation des pièces. Ne laissez jamais de solvants inflammables ou combustibles auprès de l'outil.

Réparations

Pour les réparations, retournez outil, batterie et chargeur en entier au centre-service le plus près.

GARANTIE LIMITÉE - AUX ÉTATS-UNIS ET AU CANADA

Chaque outil électrique MILWAUKEE (y compris les produits sans fil [outils, piles, chargeur de piles, lampe de travail]; consulter les énoncés de la GARANTIE LIMITÉE DES BLOCS-PILES SANS FIL) est garanti à l'acheteur d'origine être exempt de vice de matériau et de fabrication. Sous réserve de certaines exceptions, MILWAUKEE réparera ou remplacera toute pièce d'un outil électrique qui, après examen par MILWAUKEE, s'est avérée être affectée d'un vice de matériau ou de fabrication pendant une période de cinq (5) ans* après la date d'achat, sauf indication contraire. Retourner l'outil électrique, à un centre de réparations en usine MILWAUKEE ou à un poste d'entretien agréé MILWAUKEE, en port prépayé et assuré. Une copie de la preuve d'achat doit être présentée au moment de retourner le produit. Cette garantie ne couvre pas les dommages que MILWAUKEE détermine être causés par des réparations ou des tentatives de réparation par quiconque autre que le personnel agréé par MILWAUKEE, des utilisations incorrectes, des altérations, des utilisations abusives, une usure normale, une carence d'entretien ou des accidents.

*La période de garantie applicable pour les radios de chantier, le port d'alimentation M12™, Source d'énergie M18™, et les chariots de travail industriels Trade Titan™ est d'une durée d'un (1) an à partir de la date d'achat. La période de la garantie couvrant la lampe de travail à DEL et l'ampoule améliorée à DEL est une garantie À VIE limitée à l'acheteur d'origine seulement; si, lors d'une utilisation normale, l'ampoule à DEL présente une défectuosité, la lampe de travail et l'ampoule seront remplacées sans frais.

*Cette garantie ne s'applique pas aux cloueuses-agrafeuses pneumatiques, aux pulvérisateurs à peinture sans air, aux blocs piles pour outils sans fil, aux génératrices d'alimentation portatives à essence, aux outils à main, aux monte-charge – électrique, à levier et à chaîne (manuel), aux vestes chauffantes M12™, aux produits résinés, ni aux produits d'essai et de mesure. Il existe des garanties distinctes pour ces produits.

L'enregistrement de la garantie n'est pas nécessaire pour bénéficier de la garantie en vigueur sur un outil électrique MILWAUKEE. La date de fabrication du produit servira à établir la période de garantie si aucune preuve d'achat n'est fournie lorsqu'une demande de service sous garantie est présentée.

L'ACCEPTATION DES RECOURS EXCLUSIFS DE RÉPARATION ET DE REMPLACEMENT DÉCRITS AUX PRÉSENTES EST UNE CONDITION DU CONTRAT D'ACHAT DE TOUT PRODUIT MILWAUKEE. SI VOUS N'ACCEPTÉZ PAS CETTE CONDITION, VOUS NE DEVEZ PAS ACHETER LE PRODUIT. EN AUCUN CAS MILWAUKEE NE SAURAIT ÊTRE RESPONSABLE DE TOUT DOMMAGE ACCESSOIRE, SPÉCIAL OU INDIRECT, DE DOMMAGES-INTÉRÊTS PUNITIFS OU DE TOUTE DÉPENSE, D'HONORAIRES D'AVOCATS, DE FRAIS, DE PERTE OU DE DÉLAIS ACCESSOIRES À TOUT DOMMAGE, DÉFAILLANCE OU DÉFAUT DE TOUT PRODUIT, Y COMPRIS NOTAMMENT LES PERTES DE PROFIT. CERTAINS ÉTATS ET PROVINCES NE PERMETTANT PAS L'EXCLUSION OU LA LIMITATION DES DOMMAGES DIRECTS OU INDIRECTS, LES RESTRICTIONS CI-DESSUS PEUVENT NE PAS ÊTRE APPLICABLES. CETTE GARANTIE EST EXCLUSIVE ET REMPLACE TOUTE AUTRE GARANTIE EXPRESSE, QU'ELLE SOIT ORALE OU ÉCRITE. DANS LA MESURE PERMISE PAR LA LOI, MILWAUKEE RENONCE À TOUTE GARANTIE IMPLICITE, Y COMPRIS, SANS S'Y LIMITER, TOUTE GARANTIE IMPLICITE DE QUALITÉ MARCHANDE OU D'ADAPTATION À UNE UTILISATION OU À UNE FIN PARTICULIÈRE, DANS LA MESURE OU UNE TELLE STIPULATION D'EXONÉRATION N'EST PAS PERMISE PAR LA LOI, LA DURÉE DE CES GARANTIES IMPLICITES EST LIMITÉE À LA PÉRIODE APPLICABLE DE LA GARANTIE EXPRESSE, TEL QUE DÉCRIT PRÉCÉDEMMENT. CERTAINS ÉTATS ET PROVINCES NE PERMETTANT PAS DE LIMITATION DE DURÉE DES GARANTIES IMPLICITES, LES RESTRICTIONS CI-DESSUS PEUVENT NE PAS ÊTRE APPLICABLES. LA PRÉSENTE CONFÈRE À L'UTILISATEUR DES DROITS LÉGAUX PARTICULIERS; IL BÉNÉFICIE ÉGALEMENT D'AUTRES DROITS QUI VARIENT D'UN ÉTAT À L'AUTRE.

Cette garantie s'applique aux produits vendus aux États-Unis et au Canada uniquement.

Veuillez consulter la rubrique Centre SAV MILWAUKEE, dans la section Pièces & Service du site Web de MILWAUKEE, à l'adresse www.milwaukeetool.com, ou composer le 1-800-SAWDUST (1-800-729-3878) afin de trouver le centre de réparations en usine MILWAUKEE le plus près.

GARANTIE LIMITÉE – MEXIQUE, AMÉRIQUE CENTRALE ET CARAÏBES

TECHTRONIC INDUSTRIES' garantit le produit pendant cinq ans à partir de la date d'achat d'origine. Le présent bon de garantie couvre tous les vices de matériau et de fabrication qui peut afficher cet outil électrique. Pour assurer la validité de la présente garantie, veuillez présenter le bon de commande, estampillé du sceau du distributeur ou du magasin où le produit a été acheté, au centre de réparations agréé. Si le bon de commande n'a pas été estampillé, veuillez fournir la preuve d'achat d'origine au centre de réparations agréé. Pour un entretien, des pièces, des accessoires ou d'autres composants, composer sans frais le 1-800-832-1949 afin d'obtenir les coordonnées du centre de réparations agréé le plus près.

Procédure pour assurer la validité de la garantie

Présenter le produit au centre de réparations agréé, accompagné du bon de commande estampillé du sceau du distributeur ou du magasin où le produit a été acheté. Toute pièce défectueuse ou tout composant défectueux sera remplacé sans frais. Milwaukee assume tous les frais de transport liés à ce processus de garantie.

Exceptions

La garantie ne s'applique pas dans les situations suivantes :

- Si le produit a été utilisé pour une fin autre que celle indiquée dans le guide de l'utilisateur final ou le manuel d'instructions.
- Si les conditions d'utilisations ne sont pas habituelles.
- Si le produit a été modifié ou réparé par une personne non autorisée par TECHTRONIC INDUSTRIES.

Note : Si le cordon électrique est endommagé, il doit être remplacé par un centre de réparations agréé pour éviter les risques d'électrocution.

CENTRE DE RÉPARATIONS ET DE SERVICE
Av Presidente Mazarik 29 Piso 7, 11570 Chapultepec Morales
Miguel Hidalgo, Distrito Federal, Mexico
Ph. 52 55 4160-3547

IMPORTÉ ET COMMERCIALISÉ PAR :
TECHTRONIC INDUSTRIES MEXICO, S.A. DE C.V.
Av Presidente Mazarik 29 Piso 7, 11570 Chapultepec Morales
Miguel Hidalgo, Distrito Federal, Mexico

Modèle :

Date d'achat :

Sceau du distributeur ou du magasin :

ADVERTENCIAS DE SEGURIDAD GENERALES PARA LA HERRAMIENTA ELÉCTRICA

ADVERTENCIA LEA TODAS LAS ADVERTENCIAS E INSTRUCCIONES DE SEGURIDAD. Si no se sigue todas las advertencias e instrucciones, se pueden provocar una descarga eléctrica, un incendio o lesiones graves. **Guarde todas las advertencias e instrucciones para consultarlas en el futuro.** El término "herramienta eléctrica" en todas las advertencias incluidas más abajo se refiere a su herramienta operada por conexión (cable) a la red eléctrica o por medio de una batería (inalámbrica).

SEGURIDAD EN EL ÁREA DE TRABAJO

- **Mantenga limpia y bien iluminada el área de trabajo.** Las áreas desordenadas u oscuras contribuyen a que se produzcan accidentes.
- **No utilice herramientas eléctricas en atmósferas explosivas, como en la presencia de líquidos, gases o polvo inflamables.** Las herramientas eléctricas crean chispas que pueden incendiar el polvo o las emanaciones.
- **Mantenga a los niños y otras personas alejadas mientras utiliza una herramienta eléctrica.** Las distracciones pueden hacerle perder el control.

SEGURIDAD ELÉCTRICA

- **Los enchufes de las herramientas eléctricas deben ser del mismo tipo que el tomacorrientes.** Nunca realice ningún tipo de modificación en el enchufe. **No use enchufes adaptadores con herramientas eléctricas con conexión a tierra.** Se reducirá el riesgo de descarga eléctrica si no se modifican los enchufes y los tomacorrientes son del mismo tipo.
- **Evite el contacto corporal con superficies con conexión a tierra, como tuberías, radiadores, estufas y refrigeradores.** El riesgo de descarga eléctrica aumenta si su cuerpo está conectado a tierra.
- **No exponga las herramientas eléctricas a la lluvia o a condiciones de humedad.** El agua que entra en una herramienta eléctrica aumenta el riesgo de descarga eléctrica.
- **No abuse del cable.** Nunca use el cable para transportar la herramienta eléctrica, tirar de ella o desenchufarla. Mantenga el cable alejado del calor, los bordes afilados o las piezas en movimiento. Los cables dañados o enmarañados aumentan el riesgo de descarga eléctrica.
- **Cuando se utiliza una herramienta eléctrica en el exterior, use una extensión que sea apropiada para uso en el exterior.** El uso de un cable apropiado para el exterior reduce el riesgo de descarga eléctrica.
- **Si debe operar una herramienta eléctrica en un lugar húmedo, utilice un suministro protegido por un interruptor de circuito con conexión a tierra (GFCI).** Usar un GFCI reduce el riesgo de que se produzcan descargas eléctricas.

SEGURIDAD PERSONAL

- **Manténgase alerta, ponga cuidado a lo que está haciendo y use el sentido común cuando utilice una herramienta eléctrica.** No use una herramienta eléctrica cuando está cansado o bajo la influencia de drogas, alcohol o medic-

nas. Despiéstase un minuto cuando se utiliza una herramienta eléctrica puede tener como resultado lesiones personales graves.

- **Use un equipo de protección personal.** Lleve siempre protección ocular. Llevar un equipo de protección apropiado para la situación, como una máscara antipolvo, zapatos de seguridad antideshilantes, un casco o protección auditiva, reducirá las lesiones personales.
- **Evite el encendido accidental.** Asegúrese de que el interruptor esté en la posición de apagado antes de conectarlo a la toma de alimentación o a la batería, al levantar o mover la herramienta. Mover herramientas con el dedo en el interruptor o enchufarlas con el interruptor en la posición de encendido contribuye a que se produzcan accidentes.
- **Quite todas las llaves de ajuste antes de encender la herramienta.** Una llave que esté acoplada a una pieza giratoria de la herramienta puede provocar lesiones personales.
- **No se estire demasiado.** Mantenga los pies bien asentados y el equilibrio en todo momento. Esto permite tener mejor control de la herramienta eléctrica en situaciones inesperadas.
- **Vístase de manera apropiada.** No lleve ropa suelta ni joyas. Mantenga el cabello, la ropa y los guantes lejos de las piezas en movimiento. La ropa floja, las joyas o el cabello largo pueden quedar atrapados en las piezas en movimiento.
- **Si se proporcionan dispositivos para la conexión de sistemas de recolección y extracción de polvo, asegúrese de que estén conectados y se usen apropiadamente.** El uso de estos dispositivos puede reducir los peligros relacionados con el polvo.

USO Y CUIDADO DE LAS HERRAMIENTAS ELÉCTRICAS

- **No fuerce la herramienta eléctrica.** Use la herramienta eléctrica correcta para la aplicación. La herramienta eléctrica correcta funcionará mejor y de manera más segura a la velocidad para la que se diseñó.
- **No use la herramienta eléctrica si el interruptor no la enciende ni la apaga.** Cualquier herramienta eléctrica que no se pueda controlar con el interruptor es peligrosa y se debe reparar.
- **Desconecte el enchufe de la toma de alimentación y/o la batería de la herramienta eléctrica antes de realizar cualquier ajuste, cambiar accesorios o almacenar las herramientas eléctricas.** Dichas medidas preventivas de seguridad reducen el riesgo de que la herramienta se prenda accidentalmente.
- **Almacene las herramientas eléctricas fuera del alcance de los niños y no permita que personas**

no familiarizadas con ellas o estas instrucciones las utilicen. Las herramientas eléctricas son peligrosas en las manos de usuarios no capacitados.

- **Mantenimiento de las herramientas eléctricas.** Revise que no haya piezas móviles que estén desalineadas o que se atasquen, piezas rotas ni ninguna otra condición que pueda afectar el funcionamiento de la herramienta eléctrica. Si se encuentran daños, haga que le reparen la herramienta antes de usarla. Las herramientas mal mantenidas son la causa de muchos accidentes.

- **Mantenga las herramientas de corte limpias y afiladas.** Es menos probable que se atasquen las herramientas de corte con filos afilados que se mantienen de manera apropiada y también son más fáciles de controlar.
- **Use la herramienta eléctrica, los accesorios, las brocas, etc. siguiendo estas instrucciones, teniendo en cuenta las condiciones de trabajo y la tarea que se va a realizar.** El uso de la herramienta eléctrica para operaciones diferentes de aquellas para las que se diseñó podría originar una situación peligrosa.

USO Y CUIDADO DE LAS HERRAMIENTAS CON BATERÍA

- **Recárguela solamente con el cargador especificado por el fabricante.** Un cargador que sea apropiado para un tipo de batería puede crear riesgo de incendio cuando se use con otra batería.
- **Use las herramientas eléctricas solamente con baterías específicamente diseñadas.** El uso de cualquier otro tipo de batería puede crear riesgo de lesiones o incendio.
- **Cuando no se use la batería manténgala alejada de otros objetos de metal como clips para papel, monedas, llaves, clavos, tornillos u otros objetos de metal pequeños que puedan realizar una conexión entre los bornes.** Realizar un cortacircuito en los terminales de la batería puede provocar quemaduras o un incendio.
- **Bajo condiciones abusivas, puede salir líquido expulsado de la batería; evitar el contacto. Si se produce un contacto accidental, lavar con agua. Si el líquido entra en contacto con los ojos buscar ayuda médica adicional.** El líquido que sale despedido de la batería puede causar irritaciones o quemaduras.

MANTENIMIENTO

- **Haga que un técnico calificado realice el mantenimiento de la herramienta eléctrica utilizando solamente piezas de repuesto idénticas.** Esto asegurará que se mantiene la seguridad de la herramienta eléctrica.

REGLAS ESPECÍFICAS DE SEGURIDAD

Instrucciones de seguridad para todas las sierras Procedimientos de corte

- **⚠ PELIGRO: Mantenga las manos alejadas del área de corte y de la hoja. Mantenga la segunda mano en la empuñadura auxiliar o en la carcasa del motor.** Si ambas manos están sosteniendo la sierra, no podrán cortarse con la hoja.

- **No meta la mano debajo de la pieza de trabajo.** La guarda no puede protegerlo de la hoja que está debajo de la pieza de trabajo.

- **Ajuste la profundidad de corte al grosor de la pieza de trabajo.** Menos de un diente completo de la hoja debe ser visible debajo de la pieza de trabajo.

- **Nunca sostenga la pieza que se está cortando en las manos o sobre las piernas. Sujete la pieza de trabajo a una plataforma estable.** Es importante soportar el trabajo correctamente para minimizar la exposición del cuerpo, el amarre de la hoja o la pérdida de control.

- **Al realizar una operación donde la herramienta de corte pueda entrar en contacto con cableado oculto, sostenga el accesorio únicamente de las superficies de empuñadura aisladas.** El contacto con un cable que conduzca electricidad también provocará que las partes metálicas de la herramienta se electrifiquen y podría ocasionar una descarga eléctrica al operador.

- **Al hacer cortes al hilo, siempre use un topeguía para cortar al hilo o una guía de borde recto.** Esto mejora la precisión del corte y reduce la probabilidad de que la hoja se amarre.

- **Siempre use hojas del tamaño y forma correctos (diamante vs. redonda) para los orificios del eje.** Las hojas que no corresponden a los elementos de montaje de la sierra correrán excéntricamente, ocasionando pérdida de control.

- **Nunca use arandelas o pernos dañados o incorrectos.** Las arandelas y el perno de la hoja se diseñaron especialmente para su sierra, para un óptimo desempeño y seguridad de la operación.

Instrucciones de seguridad adicionales para todas las sierras Causas del contragolpe y advertencias relacionadas

- El contragolpe es una reacción repentina a una hoja de sierra pellizcada, amarrada o mal alineada que ocasiona que la sierra se levante y se salga de la pieza de trabajo y hacia el operador de forma incontrolada;
- Cuando la hoja se pellizca o se amarra estrechamente por el cierre de la separación de corte, la hoja se para y la reacción del motor impulsa la unidad con gran rapidez hacia el operador;
- Si la hoja se tuerce o pierde la alineación en el corte, los dientes del borde trasero de la hoja pueden enterrarse en la superficie superior de la madera, ocasionando que la hoja se salga de la separación de corte y salte hacia el operador. El contragolpe es el resultado del uso incorrecto de la sierra y/o de procedimientos o condiciones de operación incorrectos y puede evitarse tomando las precauciones correspondientes que se indican a continuación.

- **Mantenga un agarre firme con ambas manos sobre la sierra y coloque los brazos para resistir las fuerzas de contragolpe.** Posicione el cuerpo a cualquiera de los dos lados de la hoja, pero no en línea con la hoja. El contragolpe podría ocasionar que la sierra saltara hacia atrás, pero las fuerzas de contragolpe pueden

ser controladas por el operador si se toman las precauciones correspondientes.

- **Cuando la hoja se esté amarrando o cuando se interrumpa un corte por cualquier motivo, suelte el gatillo y sostenga la sierra inmóvil dentro del material hasta que la hoja se detenga por completo. Nunca intente retirar la sierra de la pieza ni jalarla hacia atrás mientras la hoja se encuentre aún en movimiento, pues puede producirse un contragolpe.** Investigue y siga acciones correctivas para eliminar la causa del amarre de la hoja.

- **Al reiniciar una sierra dentro de la pieza de trabajo, centre la hoja de la sierra en la separación de corte y verifique que los dientes de la sierra no estén insertados en el material.** Si la hojas de la sierra se está amarrando, puede avanzar hacia arriba o dar un contragolpe de la pieza de trabajo al reiniciarse la sierra.

- **Soporte los paneles grandes para minimizar el riesgo de que la hoja pellizque y dé un contragolpe.** Los paneles grandes tienden a pandearse con su propio peso. Deben colocarse soportes debajo del panel a ambos lados, cerca de la línea de corte y cerca del borde del panel.

- **No utilice hojas romas ni dañadas.** Las hojas sin filo o que estén incorrectamente colocadas pueden producir una separación de corte angosta, causando fricción excesiva, amarre de la hoja y contragolpe.

- **Las palancas de ajuste de la profundidad de la hoja y bisel deben estar apretadas y firmes antes de hacer el corte.** Si el ajuste de la hoja cambia durante el corte, puede causar amarre y contragolpe.

- **Use precaución adicional al aserrar en muros existentes u otras áreas donde no haya visibilidad.** La hoja saliente puede cortar objetos que podrían causar contragolpe.

Función de guarda inferior

- **Revise que la guarda inferior cierre correctamente antes de cada uso. No opere la sierra si la guarda inferior no se mueve libremente y se cierra instantáneamente. Nunca sujete ni amarra la guarda inferior en la posición abierta.** Si la sierra se cae accidentalmente, la guarda inferior puede doblarse. Eleve la guarda inferior con la agarradera retráctil y asegúrese de que se mueva libremente y no toque la hoja ni ninguna otra parte, en todos los ángulos y profundidades de corte.

- **Verifique la operación del muelle de la guarda inferior. Si la guarda y el muelle no están operando correctamente, deben recibir servicio antes del uso.** La guarda inferior puede operar con lentitud debido a partes dañadas, depósitos de goma o una acumulación de residuos.

- **La guarda inferior debe retraerse manualmente únicamente para cortes especiales, como "cortes por penetración" y "cortes compuestos."** Eleve la guarda inferior replegando la agarradera y en cuanto la hoja entre al material, la guarda inferior debe soltarse. Para las demás operaciones de corte con sierra, la guarda inferior debe operar automáticamente.




- **Observe siempre que la guarda inferior esté cubriendo la hoja antes de colocar la sierra en el banco o en el suelo.** Una hoja sin protección en movimiento puede ocasionar que la sierra avance hacia atrás, cortando lo que esté en su camino. Tenga en cuenta el tiempo que se tarda la hoja en detenerse después de que se libera el interruptor.

- **Mantenga las etiquetas y las placas identificativas.** Tienen información importante. Si no se pueden leer o si faltan, póngase en contacto con un centro de servicio MILWAUKEE para obtener un repuesto gratuito.

- **ADVERTENCIA** Ciertos polvos creados al lijar, serar, esmerilar, perforar y realizar otras actividades de construcción contienen productos químicos que se sabe que causan cáncer, defectos congénitos u otros daños al aparato reproductor. Algunos ejemplos de dichos productos químicos son:
 - plomo de pintura con base de plomo
 - sílice cristalino de los ladrillos y cemento y de otros productos de mampostería, y
 - arsénico y cromo de madera tratada químicamente.

Su riesgo de exposición varía dependiendo de la frecuencia con la que realice este tipo de trabajo. Para reducir su exposición a estos productos químicos: trabaje en un área bien ventilada, y trabaje con equipo de seguridad aprobado, como máscaras antipolvo especialmente diseñadas para filtrar partículas microscópicas.

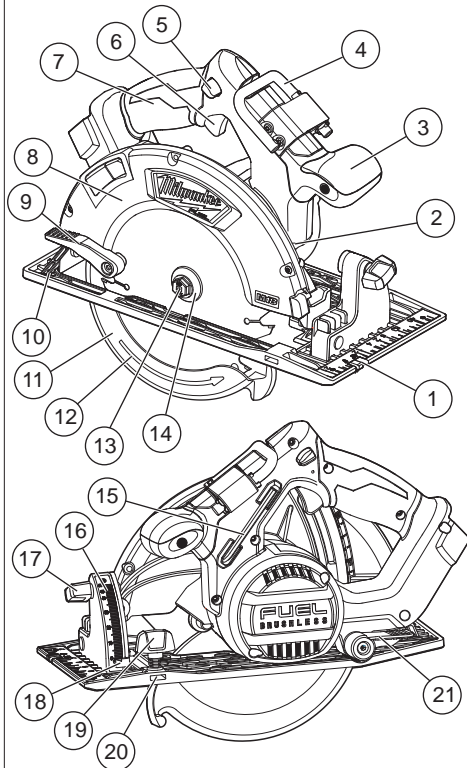
SIMBOLOGÍA

	Volts
	Corriente directa
$n_0 \text{ xxxx min.}^{-1}$	Revoluciones por minuto sin carga (RPM)
	Underwriters Laboratories, Inc., Estados Unidos y Canadá

ESPECIFICACIONES

Cat. No.	Volts cd	RPM	Tamaño de la segueta	Eje	Profundidad de corte a 90°	Profundidad de corte a 45°
2731-20	18	5 000	184 mm (7-1/4")	5/8"	0 a 63,5 mm (0 a 2-1/2")	0 a 46 mm (0 a 1-13/16")

FUNCTIONAL DESCRIPTION



- | | |
|----------------------------------|--|
| 1. Línea indicadora | 12. Flecha en la guarda inferior |
| 2. Botón de bloqueo del vástago | 13. Perno de la cuchilla |
| 3. Asidero delantero | 14. Brida de la cuchilla |
| 4. Rafter hook | 15. Llave |
| 5. Botón de desbloqueo | 16. Escala de ajuste del bisel |
| 6. Gatillo | 17. Perilla de ajuste del bisel |
| 7. Mango | 18. Indicador de bisel |
| 8. Guarda superior | 19. Perilla de ajuste de la guía de cortar al hilo |
| 9. Palanca de la guarda inferior | 20. Ranura para guía de cortar al hilo |
| 10. Zapata | 21. Palanca de ajuste de profundidad |
| 11. Guarda inferior | |

ENSAMBLAJE

⚠ ADVERTENCIA Recargue la batería sólo con el cargador especificado para ella. Para instrucciones específicas sobre cómo cargar, lea el manual del operador suministrado con su cargador y la batería.

Como se inserta/quita la batería en la herramienta

Para retirar la batería, presione los botones de liberación y jale de la batería para sacarla de la herramienta.

Para introducir la batería, deslícela en el cuerpo de la herramienta. Asegúrese de que quede bien firme en su posición.

⚠ ADVERTENCIA Para reducir el riesgo de lesiones, extraiga siempre la batería antes de acoplar o desacoplar accesorios. Utilice únicamente accesorios específicamente recomendados para esta herramienta. El uso de accesorios no recomendados podría resultar peligroso.

Selección de la cuchilla

Seleccione una cuchilla apropiada para su aplicación. Consulte la sección "Accesorios" a fin de obtener una lista de las cuchillas a usar para las aplicaciones correctas de esta herramienta.

Siempre use cuchillas afiladas. Las cuchillas sin filo tienden a sobrecargar la herramienta y aumentan la probabilidad de CONTRAGOLPE. Sólo use cuchillas de ranura delgada con una velocidad máxima de operación segura mayor que las RPM sin carga indicadas en la placa de especificaciones de la herramienta. Lea las instrucciones del fabricante de la cuchilla antes de usarla. No use cuchillas abrasivas ni romboidales en seco de ningún tipo. Use el tipo correcto de cuchilla para su aplicación. El uso de una cuchilla errónea puede resultar en un desempeño deficiente o en daño a la cuchilla. No use cuchillas que estén agrietadas ni que tengan dientes rotos. No afíle las cuchillas de metales ferrosos; consulte las recomendaciones del fabricante respecto al afilado.

Cómo verificar el funcionamiento de la guarda inferior

Verifique el funcionamiento y la condición de la palanca de la guarda inferior. Si la guarda y la palanca no funcionan apropiadamente, será necesario repararlas antes de volver a usarlas. La guarda inferior puede funcionar defectuosamente debido a partes dañadas, depósitos resinosos o por la acumulación de restos de material.

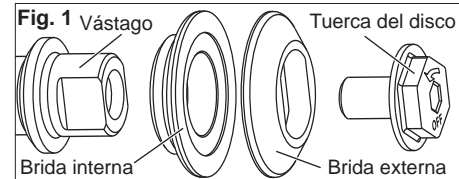
1. Quite la batería antes de verificar la guarda inferior.
2. Coloque la herramienta sobre su propio lado. **NOTA:** Este procedimiento no mostrará un funcionamiento correcto de la guarda inferior si la herramienta no se halla sobre su propio lado.
3. Sujete la guarda inferior por los lados y empujela completamente hacia el alojamiento de la cuchilla.

4. Suelte la guarda inferior.
 - Si la guarda salta inmediatamente hacia su lugar, significa que está funcionando correctamente y puede continuar utilizándola.
 - Si la guarda no salta inmediatamente hacia su lugar, limpie las guardas superior e inferior para remover todas las virutas o restos de material. Luego, verifique nuevamente el funcionamiento comenzando con el primer paso.
 - Si aún así la guarda todavía no salta inmediatamente hacia su lugar, comuníquese con un centro de servicio autorizado de MILWAUKEE para que la reparen.

Instalación y extracción de las cuchillas

1. Quite la batería antes de instalar o quitar las cuchillas.
2. Coloque la sierra en una superficie plana con la cuchilla apuntando hacia arriba. Para quitar el perno del vástago, presione su botón de bloqueo. Mientras se mantiene el botón de bloqueo presionado, use la llave que se suministra con la herramienta para girar el perno en sentido antihorario. Quite el perno y la brida de la cuchilla.
3. Deslice la palanca de la guarda inferior hacia arriba para subir la guarda inferior. Extraiga la cuchilla del vástago. Limpie siempre el vástago, la guarda superior y la inferior para quitar la suciedad y el aserrín.

NOTA: No retire la brida interna. Le plus grand diamètre de la brida interna doit appuyer sur la lame (Fig. 1).

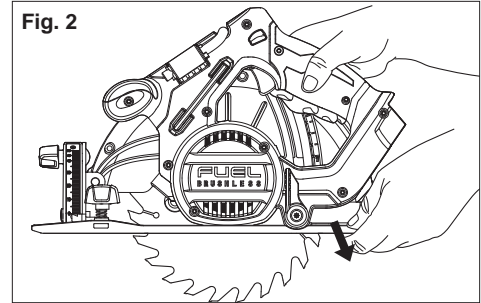


4. Para instalar una cuchilla, colóquela en el vástago con los dientes apuntando en la misma dirección que la flecha en la guarda inferior. Suelte la palanca de la guarda inferior.
5. Coloque la brida de la cuchilla en el vástago y apriete el perno con la mano.
6. Mientras mantiene presionado el botón de bloqueo del vástago, use la llave para girar el perno en sentido horario y apretarlo.

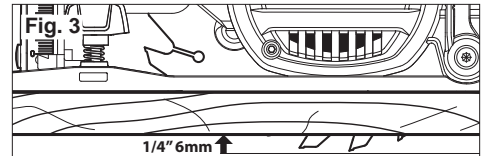
Ajuste de la profundidad

1. Extraiga la batería
2. Para ajustar la profundidad del corte, sujete la sierra por el asidero y afloje la palanca de ajuste de la profundidad empujándola hacia abajo, hacia la zapata (Fig. 2).

Fig. 2



3. Suba o baje la zapata a la posición deseada. En el lado interior de la guarda superior hay marcas en incrementos de 6 mm (1/4"). para el ajuste de profundidad. Para el ajuste de profundidad correcto, la cuchilla no debe extenderse más de 3 a 6 mm (1/8" a 1/4") por debajo del material que se está cortando (Fig. 3).

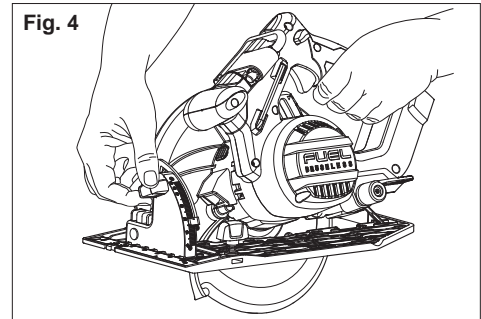


4. Suba la palanca de ajuste de profundidad hacia el alojamiento del motor para asegurar la posición de la zapata.

Ajuste del ángulo del bisel

1. Extraiga la batería
2. Para ajustar el ángulo de corte, sujete la sierra por su asidero y afloje la perilla de ajuste del bisel (Fig. 4).

Fig. 4



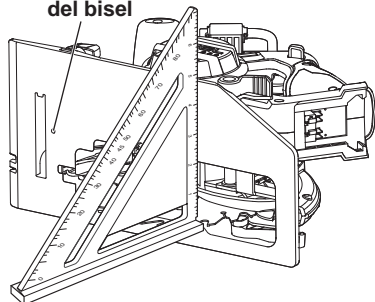
3. Sujete la parte delantera de la zapata y gire la sierra por el asidero hasta alcanzar el ángulo deseado, tal y como lo indican las marcas en la escala del bisel.
4. Apriete la perilla de ajuste del bisel de manera segura.

Ajuste de la cuchilla a la zapata

La zapata se ha ajustado en la fábrica a un ángulo de 90 grados. Inspeccione la sierra regularmente para asegurarse de que la cuchilla esté a 90 grados con respecto a la zapata.

1. Extraiga la batería
2. Coloque el indicador del bisel en cero.
3. Para asegurarse de que la cuchilla está en un ángulo de 90 grados con respecto a la zapata, coloque la sierra al costado de la cuchilla y retraiga la guarda inferior. Coloque una escuadra contra la cuchilla y la zapata para inspeccionar el ajuste de los grados (Fig. 5).

Fig. 5 Tornillo de ajuste del bisel



4. Para fijar el ajuste de los grados, afloje la perilla de ajuste del bisel. Gire el tornillo de ajuste del bisel hacia dentro o hacia fuera hasta que la cuchilla forme un ángulo de 90 grados con la zapata.
5. Apriete la perilla de ajuste del bisel de manera segura.

OPERACION

ADVERTENCIA Para reducir el riesgo de lesiones, extraiga siempre la batería antes de acoplar o desacoplar accesorios. Utilice únicamente accesorios específicamente recomendados para esta herramienta. El uso de accesorios no recomendados podría resultar peligroso.

ADVERTENCIA Para reducir el riesgo de lesiones, mantenga ambas manos alejadas de la segueta y de otras piezas móviles. Lleve siempre lentes de seguridad con protectores laterales. Use solamente accesorios recomendados específicamente. El uso de otros puede resultar peligroso.

Causas del contragolpe y advertencias relacionadas

- El contragolpe es una reacción repentina a una hoja de sierra pellizcada, amarrada o mal alineada que ocasiona que la sierra se levante y se salga de la pieza de trabajo y hacia el operador de forma incontrolada;
- Cuando la hoja se pellizca o se amarra estrechamente por el cierre de la separación de corte, la hoja se para y la reacción del motor impulsa la unidad con gran rapidez hacia el operador;
- Si la hoja se tuerce o pierde la alineación en el corte, los dientes del borde trasero de la hoja pueden enterrarse en la superficie superior de la madera, ocasionando que la hoja se salga de la separación de corte y salte hacia el operador.

El contragolpe es el resultado del uso incorrecto de la sierra y/o de procedimientos o condiciones de operación incorrectos y puede evitarse tomando las precauciones correspondientes que se indican a continuación.

- **Mantenga un agarre firme con ambas manos sobre la sierra y coloque los brazos para resistir las fuerzas de contragolpe. Posicione el cuerpo a cualquiera de los dos lados de la hoja, pero no en línea con la hoja.** El contragolpe podría ocasionar que la sierra saltara hacia atrás, pero las fuerzas de contragolpe pueden ser controladas por el operador si se toman las precauciones correspondientes.
- **Cuando la hoja se esté amarrando o cuando se interrumpa un corte por cualquier motivo, suelte el gatillo y sostenga la sierra inmóvil dentro del material hasta que la hoja se detenga por completo. Nunca intente retirar la sierra de la pieza ni jalarla hacia atrás mientras la hoja se encuentre aún en movimiento, pues puede producirse un contragolpe.** Investigue y siga acciones correctivas para eliminar la causa del amarre de la hoja.

• **Al reiniciar una sierra dentro de la pieza de trabajo, centre la hoja de la sierra en la separación de corte y verifique que los dientes de la sierra no estén insertados en el material.**

Si la hojas de la sierra se está amarrando, puede avanzar hacia arriba o dar un contragolpe de la pieza de trabajo al reiniciarse la sierra.

• **Soporte los paneles grandes para minimizar el riesgo de que la hoja pellizque y dé un contragolpe.** Los paneles grandes tienden a pandearse con su propio peso. Deben colocarse soportes debajo del panel a ambos lados, cerca de la línea de corte y cerca del borde del panel.

• **No utilice hojas romas ni dañadas.** Las hojas sin filo o que estén incorrectamente colocadas pueden producir una separación de corte angosta, causando fricción excesiva, amarre de la hoja y contragolpe.

• **Las palancas de ajuste de la profundidad de la hoja y bisel deben estar apretadas y firmes antes de hacer el corte.** Si el ajuste de la hoja cambia durante el corte, puede causar amarre y contragolpe.

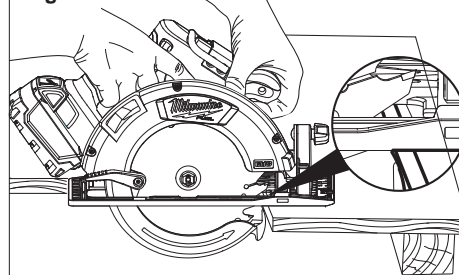
• **Use precaución adicional al aserrar en muros existentes u otras áreas donde no haya visibilidad.** La hoja saliente puede cortar objetos que podrían causar contragolpe.

Funcionamiento general

Sujete siempre la pieza en la que se está trabajando de manera segura en un caballete o banco de aserrar. Consultar "APLICACIONES" para averiguar la manera correcta de colocar la pieza en la que se está trabajando en diferentes situaciones.

1. Trace una línea de corte. Coloque la parte delantera de la zapata en el borde de la pieza sin que la cuchilla la toque. Sujete el asidero con una mano y el asidero delantero con la otra.

Fig. 6



2. Alinee la línea indicadora con la línea de corte. Coloque los brazos y el cuerpo de manera que pueda resistir el REBOTE.
3. Para arrancar la sierra, presione el botón de desbloqueo al mismo tiempo que presiona el gatillo. Deje que el motor alcance la velocidad máxima antes de empezar a cortar.
4. Mientras corta, mantenga la zapata plana contra la pieza en la que se está trabajando y la sierra bien agarrada. No fuerce la sierra contra la pieza en la que se está trabajando. Esto puede hacer que la sierra REBOTE.

5. Si se está realizando un corte parcial, reiniciando un corte que se dejó a medias o corrigiendo la dirección, deje que la cuchilla se pare por completo. Para reiniciar el corte, centre la cuchilla en la entalladura, retroceda la sierra unas cuantas pulgadas del borde de corte, presione el botón de desbloqueo mientras aprieta el gatillo y vuelva a penetrar lentamente en el corte.

6. Si la sierra se atasca o se para, manténgala bien agarrada y suelte el gatillo inmediatamente. Sujete la sierra sin que se mueva en la pieza hasta que la cuchilla se detenga por completo.

7. Después de terminar el corte, asegúrese de que se cierra la guarda inferior y la cuchilla se detiene por completo antes de soltar la sierra.

Freno eléctrico

El freno eléctrico se activa cuando se suelta el gatillo, haciendo que la segueta se pare y permitiéndole continuar con la tarea. Generalmente, la segueta se para en dos segundos. Sin embargo, puede que haya un retraso entre el momento que suelta el gatillo y cuando se activa el freno. Ocasionalmente el freno puede que se salte completamente. Si el freno se salta con frecuencia, la segueta necesita servicio de un centro de mantenimiento autorizado MILWAUKEE. El freno no es un sustituto de la guarda, y siempre debe esperar hasta que la cuchilla se detenga completamente antes de sacar la sierra de la pieza.

Resolución de problemas

Si la cuchilla no sigue una línea recta:

• Los dientes están desafilados. Esto se produce al golpear un objeto duro como un clavo o una piedra, desafilando los dientes de un lado. La cuchilla tiende a cortar hacia el lado con los dientes más afilados.

• La zapata está desalineada o doblada

• La cuchilla está doblada

• No se está usando una guía para cortar al hilo o una guía

Si la cuchilla se atasca, echa humo o se pone azul por la fricción:

• La cuchilla está desafilada

• La cuchilla está al revés

• La cuchilla está doblada

• La cuchilla está sucia

• La pieza en la que se está trabajando no está bien sujeta

• Se está usando la cuchilla incorrecta

• La batería está descargada

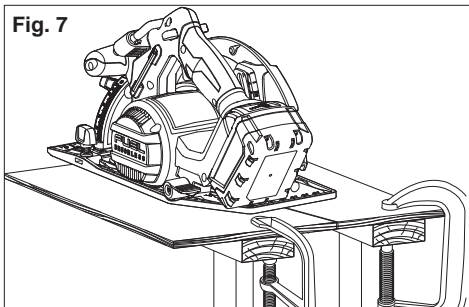
APLICACIONES

Corte de paneles grandes

Los paneles grandes y las tablas largas se pandean o doblan si no se apoyan correctamente. Si se intenta cortar sin nivelar y apoyar correctamente la pieza, la cuchilla tenderá a atascarse, provocando REBOTE.

Apoye los paneles grandes (Fig. 7). Asegúrese de fijar la profundidad de corte de modo que solamente corte a través de la pieza, no a través de los soportes.

Fig. 7



Corte de madera al hilo

Cortar al hilo es cortar en la dirección de la veta de la madera. Seleccione la cuchilla apropiada para su tarea. Use una guía para corte al hilo para cortes de 100 mm (4 pulg.) de ancho o menos. Para instalar la guía para corte al hilo, deslice la barra a través de la guía para corte al hilo en cualquier lado de la zapata. El ancho del corte es la distancia desde el interior de la cuchilla hasta el borde interior de la guía de corte al hilo. Ajuste la guía para corte al hilo para el ancho deseado y bloquee el ajuste apretando la perilla de ajuste de la guía para corte al hilo.

Cuando el ancho de corte al hilo es mayor de 100 mm (4 pulg.), sujete con una abrazadera o clave un pedazo de madera de 13 mm (1/2 pulg.) a la pieza y use el borde interior de la zapata como guía.

Corte de madera a contrahilo

El corte a contrahilo es un corte perpendicular a la veta de la madera. Seleccione la cuchilla apropiada para su tarea. Avance la sierra lentamente para evitar que la madera se astille.

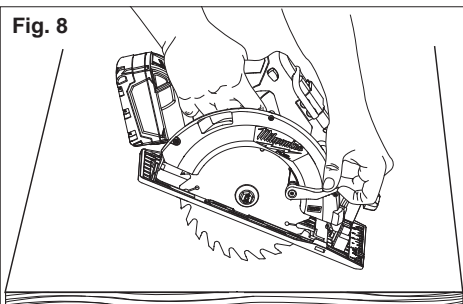
ADVERTENCIA Para reducir el riesgo de descarga eléctrica, revise el área de trabajo en busca de tuberías o cables ocultos antes de realizar cortes por penetración.

Corte por penetración

Los cortes por penetración se realizan en medio de la pieza en la que se está trabajando cuando no se puede cortar desde un borde. Recomendamos el uso de una sierra alternativa o una sierra perforadora Sawzall® para este tipo de corte. Sin embargo, si tiene que usar una sierra circular para realizar un corte por penetración, TENGA MUCHO CUIDADO. Para mantener el control de la sierra durante el corte por perforación, mantenga ambas manos en la sierra.

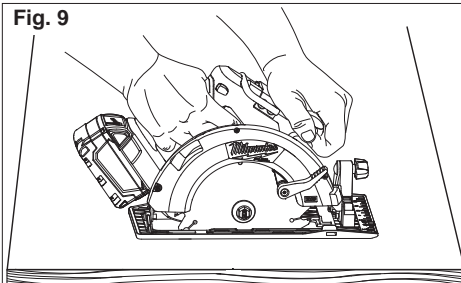
1. Comenzando en una esquina, alinee la línea indicadora con la de corte. Incline la sierra hacia delante, fijando firmemente la parte delantera de la zapata en la pieza en la que se está trabajando (Fig. 8). La cuchilla debe quedar justo sobre la línea de corte, pero sin tocarla. Suba la guarda inferior usando la palanca de la guarda inferior.

Fig. 8



2. Para arrancar la sierra, presione el botón de desbloqueo al mismo tiempo que se presiona el gatillo. Deje que el motor alcance la velocidad máxima antes de empezar a cortar. Usando la parte delantera de la zapata como punto de apoyo, baje gradualmente la parte posterior de la sierra a la pieza en la que se está trabajando. Suelte la palanca de la guarda inferior y agarre el asidero delantero.
3. Cuando la zapata descansa contra la pieza, avance la sierra hacia la esquina más alejada (Fig. 9). Suelte el gatillo y deje que la cuchilla se detenga por completo antes de sacarla de la pieza. Repetir los pasos anteriores para cada lado de la abertura. Use una sierra alternativa, una sierra de perforación o una sierra de mano pequeña Sawzall® para rematar las esquinas si no se han cortado completamente.

Fig. 9



Sobrecarga

Una sobrecarga continua puede dañar permanentemente la herramienta y la batería.

Corte en mampostería y metales

Las sierras circulares de MILWAUKEE no son para uso continuo en cortes de metales o mampostería. Cuando se corten estos materiales, use la segueta correcta.

ADVERTENCIA El polvo, las rebabas y el grano pueden hacer que la guarda deje de funcionar en cualquier momento. Si se usa la sierra para cortar mampostería o metales, resérvela y márkela para ese uso únicamente, y llévela a un centro de servicio MILWAUKEE para su limpieza y prueba antes de usarla para cortes de madera.

ADVERTENCIA Use solamente accesorios con una velocidad nominal máxima, por lo menos, tan alta como las RPM que aparecen en la placa de identificación de la herramienta.

Cuando corte mampostería, use una segueta de diamante. Realice pasadas sucesivas a profundidades de menos de 6 mm (1/4 pulg.) a fin de lograr la profundidad deseada. Realizar cortes a una profundidad de más de 6 mm (1/4 pulg.) dañará el disco. Quite la batería y limpie frecuentemente el polvo de las aberturas de ventilación y de las guardas.

ADVERTENCIA No use la herramienta para cortar metales cerca de materiales inflamables. Las chispas pueden provocar un incendio.

Cuando corte metales, use una segueta para cortar metal. Fije la profundidad de corte a la profundidad máxima. Proteja a todas las personas que se encuentren en el área de las chispas.

ACCESORIOS

⚠️ ADVERTENCIA Para reducir el riesgo de lesiones, siempre extraiga la batería antes de cambiar o retirar accesorios. Utilice únicamente accesorios específicamente recomendados para esta herramienta. El uso de accesorios no recomendados podría resultar peligroso.

Para una lista completa de accesorios, refiérase a su catálogo *MILWAUKEE* Electric Tool o visite nuestro sitio en Internet: www.milwaukeetool.com. Para obtener un catálogo, contacte su distribuidor local o uno de los centros de servicio.

MANTENIMIENTO

⚠️ ADVERTENCIA Para reducir el riesgo de una lesión, desconecte siempre la herramienta antes de darle cualquier mantenimiento. Nunca desarme la herramienta ni trate de hacer modificaciones en el sistema eléctrico de la misma. Acuda siempre a un Centro de Servicio *MILWAUKEE* para TODAS las reparaciones.

Mantenimiento de la herramienta

Adopte un programa regular de mantenimiento y mantenga sus baterías y cargador en buenas condiciones. Después de 6 meses a un año, dependiendo del uso dado, envíe su herramienta, batería y cargador, al Centro de Servicio *MILWAUKEE* más cercano para que le hagan:

- Lubricación
- Inspección mecánica y limpieza (engranes, flechas, baleros, carcasa, etc.)
- Inspección eléctrica (batería, cargador, motor)
- Probarla para asegurar una adecuada operación mecánica y eléctrica

Si la herramienta no arranca u opera a toda su potencia con una batería completamente cargada, limpie, con una goma o borrador, los contactos de la batería y de la herramienta. Si aun así la herramienta no trabaja correctamente, regrésela, con el cargador y la batería, a un centro de servicio *MILWAUKEE* para que sea reparada.

⚠️ ADVERTENCIA Para reducir el riesgo de una explosión, no queme nunca una batería, aun si está dañada, "muerta" o completamente descargada.

Limpieza

Limpie el polvo y suciedad de las ventilas del cargador y la herramienta. Mantenga los mangos y empuñaduras limpios, secos y libres de aceite o grasa. Use solo jabón neutro y un trapo húmedo para limpiar la herramienta, batería y el cargador, ya que algunos substancias y solventes limpiadores son dañinos a los plásticos y partes aislantes. Algunos de estos incluyen: gasolina, turpentina, thinner, lacas, thinner para pinturas, solventes para limpieza con cloro, amoníaco y detergentes caseros que tengan amonía. Nunca usa solventes inflamables o combustibles cerca de una herramienta.

Reparaciones

Si su herramienta, batería o cargador están dañados, envíela al centro de servicio más cercano.

GARANTÍA LIMITADA - E.U.A. Y CANADÁ

Se garantiza al comprador original que ninguna de las herramientas eléctricas *MILWAUKEE* (incluido el producto inalámbrico, la herramienta y las baterías; consulte las declaraciones distintas y por separado en GARANTÍA LIMITADA DEL PAQUETE DE BATERÍAS INALÁMBRICAS y de las luces de trabajo y del cargador de baterías*) presentan defectos en material ni en mano de obra. En un plazo de cinco (5) años* a partir de la fecha de compra y sujeto a ciertas excepciones, *MILWAUKEE* reparará o reemplazará cualquier parte de una herramienta eléctrica que, luego de ser examinada, *MILWAUKEE* compruebe que presenta defectos en material o mano de obra, a menos que se indique lo contrario. Se requiere la devolución de la herramienta eléctrica a un centro de mantenimiento de la fábrica *MILWAUKEE* o a un centro de reparaciones autorizado por *MILWAUKEE*, con gastos de envío prepagados y asegurados. La devolución del producto debe estar acompañada por un comprobante de compra. Esta garantía no se aplica a los daños que *MILWAUKEE* establezca que fueron ocasionados por reparaciones o intentos de reparación por parte de personal no autorizado por *MILWAUKEE*, uso indebido, alteraciones, abuso, desgaste y deterioro normal, falta de mantenimiento o accidentes.

*El período de garantía de las radios para obras, del puerto de alimentación M12™, Fuente de poder M18™, y de las carretillas de trabajo industrial Trade Titan™ es de un (1) año a partir de la fecha de compra. El período de garantía de la lámpara de trabajo con diodo luminiscente y del foco mejorado con diodo luminiscente es una garantía VITALICIA limitada para el comprador original únicamente. Si durante el uso normal el foco de diodo luminiscente no funciona, la lámpara de trabajo o el foco mejorado se reemplazará sin carga.

*Esta garantía no cubre las clavadoras aéreas, las engrapadoras, el rociador de pintura inalámbrico, el paquete de baterías inalámbrico, los generadores eléctricos portátiles que funcionan con gasolina, herramientas manuales, elevadores (eléctricos, con palanca y con cadenas manuales), camisas de calefacción M12™, productos reacondicionados y productos de prueba y medición. Se encuentran disponibles garantías distintas para estos productos.

No se necesita registro de garantía para obtener la garantía correspondiente de un producto eléctrico *MILWAUKEE*. La fecha de fabricación del producto se utilizará para determinar el período de garantía si no se presenta un comprobante de compra en el momento en que se solicita el servicio de garantía.

LA ACEPTACIÓN DE LOS DERECHOS A REPARACIÓN Y REEMPLAZO EXCLUSIVAMENTE DESCRITOS EN EL PRESENTE DOCUMENTO CONSTITUYE UNA CONDICIÓN DEL CONTRATO POR LA COMPRA DE CADA PRODUCTO *MILWAUKEE*. SI NO ACEPTA ESTA CONDICIÓN, NO DEBE COMPRAR EL PRODUCTO. *MILWAUKEE* NO SERÁ EN NINGÚN CASO RESPONSABLE DE DAÑOS INCIDENTALES, ESPECIALES, CONSECUENTES O PUNITIVOS, NI DE COSTOS, HONORARIOS DE ABOGADOS, GASTOS, PERDIDAS O DEMORAS SUPUESTAMENTE CAUSADOS COMO CONSECUENCIA DE CUALQUIER DAÑO, FALLA O DEFECTO EN CUALQUIER PRODUCTO, INCLUIDOS, A MODO DE EJEMPLO, RECLAMOS POR PÉRDIDA DE GANANCIAS. ALGUNOS ESTADOS NO PERMITEN LA EXCLUSIÓN O LA LIMITACIÓN DE DAÑOS INCIDENTALES O CONSECUENTES. POR LO TANTO, LAS LIMITACIONES Y EXCLUSIONES ANTERIORES PUEDEN NO APLICARSE PARA USTED. ESTA GARANTÍA ES EXCLUSIVA Y SUSTITUYE A TODAS LAS OTRAS GARANTÍAS EXPRESAS, ESCRITAS U ORALES, SEGÚN LO PERMITA LA LEY. *MILWAUKEE* SE EXIME DE TODA GARANTÍA IMPLÍCITA, INCLUIDOS, A MODO DE EJEMPLO, TODA GARANTÍA IMPLÍCITA DE COMERCIABILIDAD O IDONEIDAD PARA UN USO O PROPÓSITO EN PARTICULAR; EN LA MEDIDA EN QUE DICHA RENUNCIA NO ESTÉ PERMITIDA POR LA LEY, DICHAS GARANTÍAS IMPLÍCITAS ESTÁN LIMITADAS A LA DURACIÓN DE LA GARANTÍA EXPRESA APLICABLE SEGÚN SE DESCRIBE ANTERIORMENTE. ALGUNOS ESTADOS NO PERMITEN LIMITACIONES EN LA DURACIÓN DE UNA GARANTÍA IMPLÍCITA. POR LO TANTO, LA LIMITACIÓN ANTERIOR PUEDE NO APLICARSE PARA USTED. ESTA GARANTÍA LE OTORGA DERECHOS LEGALES ESPECÍFICOS Y TAMBIÉN PUEDE TENER OTROS DERECHOS QUE VARIAN DE ESTADO EN ESTADO.

Esta garantía se aplica a los productos vendidos en los EE. UU. y Canadá.

Consulte 'Service Center Search' (Búsqueda de centro de servicio) en la sección Parts & Services (Piezas y servicios) del sitio web *MILWAUKEE*, www.milwaukeetool.com o llame al 1.800.SAWDUST (1.800.729.3878) para encontrar su Centro de Servicio de la fábrica de *MILWAUKEE* más cercano.

PÓLIZA DE GARANTÍA - VALIDA SOLO PARA MÉXICO, AMÉRICA CENTRAL Y EL CARIBE

TECHTRONIC INDUSTRIES., garantiza por 5 años este producto a partir de la fecha original de compra.

Esta garantía cubre cualquier defecto que presenten las piezas, componentes y la mano de obra contenidas en este producto Para América Central y el Caribe se debe confirmar en el Centro de Servicio Autorizado el plazo de la garantía. Para hacer efectiva la Garantía deberá presentar al Centro de Servicio Autorizado la Póliza de Garantía sellada por el establecimiento en donde adquirió el producto. Si no la tienen, podrá presentar el comprobante de compra original. Usted puede llamar sin costo al teléfono 01 800 832 1949 o por correo electrónico a la dirección "servicio@tigroupna.com", para ubicar el Centro de Servicio Autorizado más cercano a su domicilio, en el cual además podrá adquirir partes, componentes, consumibles y accesorios, que usted necesite.

Procedimiento para hacer válida la garantía

Acuda al Centro de Servicio con el producto y la póliza de garantía sellada por el establecimiento donde realizó la compra. Ahí se reemplazará cualquier pieza o componente defectuoso sin cargo alguno para el usuario final. La empresa se hace responsable de los gastos de transportación razonablemente erogados que se deriven del cumplimiento de la presente garantía.

Excepciones

La garantía perderá validez en los siguientes casos:

- a) Cuando el producto se hubiese utilizado en condiciones distintas a las normales.
- b) Cuando el producto no hubiese sido operado de acuerdo con el instructivo de uso que le acompaña.
- c) Cuando el producto hubiese sido alterado o reparado por personas no autorizadas por TECHTRONIC INDUSTRIES.

Nota: Si el cordón de alimentación es dañado, este debe ser reemplazado por el fabricante o por un Centro de Servicio Autorizado para evitar riesgo.

Modelo: _____

Fecha de Compra: _____

Sello del Distribuidor: _____

CENTRO DE SERVICIO Y ATENCIÓN A CLIENTES
Av Presidente Mazarik 29 Piso 7, 11570 Chapultepec Morales
Miguel Hidalgo, Distrito Federal, Mexico
Tel. 52 55 4160-3547

IMPORTADO Y COMERCIALIZADO POR:
TECHTRONIC INDUSTRIES MEXICO, .S.A. DE C.V.
Av Presidente Mazarik 29 Piso 7, 11570 Chapultepec Morales
Miguel Hidalgo, Distrito Federal, Mexico

UNITED STATES MILWAUKEE Service

MILWAUKEE prides itself in producing a premium quality product that is NOTHING BUT HEAVY DUTY®. Your satisfaction with our products is very important to us! If you encounter any problems with the operation of this tool, or you would like to locate the *factory* Service/Sales Support Branch or *authorized service station* nearest you, please call...

Additionally, we have a nationwide network of *authorized* Distributors ready to assist you with your tool and accessory needs. Check your "Yellow Pages" phone directory under "Tools-Electric" for the names & addresses of those nearest you or see the 'Where To Buy' section of our website.

1-800-SAWDUST

(1.800.729.3878)

Monday-Friday
7:00 AM - 6:30 PM
Central Time

or visit our website at

www.milwaukeetool.com

For service information, use the 'Service Center Search' icon found in the 'Parts & Service' section.

Contact our Corporate After Sales Service Technical Support about ...

- Technical Questions
- Service/Repair Questions
- Warranty

call: 1-800-SAWDUST

fax: 1.800.638.9582

email: metproductsupport@milwaukeetool.com

Register your tool online at www.milwaukeetool.com and...

- receive important notifications regarding your purchase
- ensure that your tool is protected under the warranty
- become a HEAVY DUTY club member

CANADA - Service MILWAUKEE

MILWAUKEE prides itself in producing a premium quality product that is NOTHING BUT HEAVY DUTY®. Your satisfaction with our products is very important to us!

If you encounter any problems with the operation of this tool, or you would like to locate the *factory* Service/Sales Support Branch or *authorized service station* nearest you, please call...

1.800.268.4015

Monday – Friday 7:00 – 4:30 CST

fax: 866.285.9049

Milwaukee Electric Tool (Canada) Ltd

140 Fernstaff Court, Unit 4 18129 111 Avenue NW
Vaughan, ON L4K 3L8 Edmonton, AB T5S 2P2

Additionally, we have a nationwide network of *authorized* Distributors ready to assist you with your tool and accessory needs. Call 1.800.268.4015 to find the names and addresses of the closest retailers or consult "Where to buy" on our Web site www.milwaukeetool.com

MILWAUKEE est fier de proposer un produit de première qualité NOTHING BUT HEAVY DUTY®. Votre satisfaction est ce qui compte le plus!

En cas de problèmes d'utilisation de l'outil ou pour localiser le centre de service/ventes ou le *centre d'entretien* le plus proche, appelez le...

1.800.268.4015

Lundi – Vendredi 7:00 – 4:30 CST

fax: 866.285.9049

Milwaukee Electric Tool (Canada) Ltd

140 Fernstaff Court, Unit 4 18129 111 Avenue NW
Vaughan, ON L4K 3L8 Edmonton, AB T5S 2P2

Notre réseau national de distributeurs *agréés* se tient à votre disposition pour fournir l'aide technique, l'outillage et les accessoires nécessaires. Composez le 1.800.268.4015 pour obtenir les noms et adresses des revendeurs les plus proches ou bien consultez la section «Où acheter» sur notre site web à l'adresse www.milwaukeetool.com

MEXICO - Soporte de Servicio MILWAUKEE

CENTRO DE ATENCION A CLIENTES

Av. Presidente Masarik 29 Piso 7
CP. 11570. Col. Chapultepec Morales
Del. Miguel Hidalgo, Distrito Federal, México
01-800-8321949

Lunes a Viernes (9am a 6pm)

O contáctanos en www.milwaukeetool.com.mx

Para información de Centros de Servicio busca el icono "Servicio al cliente"- "Contáctanos"

Contacta nuestro servicio técnico para....

- Preguntas Técnicas
- Asesoría, servicio y reparación
- Garantía

Adicionalmente, tenemos una red nacional de distribuidores autorizados listos para ayudarle con su herramienta y sus accesorios. Por favor, llame al 01 800 8321949 para obtener los nombres y direcciones de los más cercanos a usted, o consulte la sección "Dónde Comprar" en nuestro sitio web www.milwaukeetool.com.mx

MILWAUKEE ELECTRIC TOOL CORPORATION

13135 West Lisbon Road • Brookfield, Wisconsin, U.S.A. 53005

58-14-0013d1

03/14

Printed in China
961016076-01()

Free Manuals Download Website

<http://myh66.com>

<http://usermanuals.us>

<http://www.somanuals.com>

<http://www.4manuals.cc>

<http://www.manual-lib.com>

<http://www.404manual.com>

<http://www.luxmanual.com>

<http://aubethermostatmanual.com>

Golf course search by state

<http://golfingnear.com>

Email search by domain

<http://emailbydomain.com>

Auto manuals search

<http://auto.somanuals.com>

TV manuals search

<http://tv.somanuals.com>