



**OPERATOR'S MANUAL
MANUEL de L'UTILISATEUR
MANUAL del OPERADOR**

**Catalog No.
No de Cat.
Catálogo No.**

**6527
6527-21
6528
6537-22
6537-75**



**SUPER SAWZALL®
PASSE-PARTOUT SUPER SAWZALL®
SIERRAS SABLE SAWZALL®**

TO REDUCE THE RISK OF INJURY, USER MUST READ AND UNDERSTAND OPERATOR'S MANUAL.

AFIN DE RÉDUIRE LE RISQUE DE BLESSURES, L'UTILISATEUR DOIT LIRE ET BIEN COMPRENDRE LE MANUEL DE L'UTILISATEUR.

PARA REDUCIR EL RIESGO DE LESIONES, EL USUARIO DEBE LEER Y ENTENDER EL MANUAL DEL OPERADOR.

GENERAL SAFETY RULES



WARNING!

READ AND UNDERSTAND ALL INSTRUCTIONS.


Failure to follow all instructions listed below, may result in electric shock, fire and/or serious personal injury.

SAVE THESE INSTRUCTIONS.

WORK AREA

1. **Keep your work area clean and well lit.** Cluttered benches and dark areas invite accidents.
2. **Do not operate power tools in explosive atmospheres, such as in the presence of flammable liquids, gases, or dust.** Power tools create sparks which may ignite the dust or fumes.
3. **Keep bystanders, children, and visitors away while operating a power tool.** Distractions can cause you to lose control. Protect others in the work area from debris such as chips and sparks. Provide barriers or shields as needed.

ELECTRICAL SAFETY

4. **Grounded tools must be plugged into an outlet properly installed and grounded in accordance with all codes and ordinances. Never remove the grounding prong or modify the plug in any way. Do not use any adaptor plugs. Check with a qualified electrician if you are in doubt as to whether the outlet is properly grounded.** If the tools should electrically malfunction or break down, grounding provides a low resistance path to carry electricity away from the user.
5. **Double Insulated tools are equipped with a polarized plug (one blade is wider than the other). This plug will fit in a polarized outlet only one way. If the plug does not fit fully in the outlet, reverse the plug. If it still does not fit, contact a qualified electrician to install a polarized outlet. Do not change the plug in any way.** Double insulation  eliminates the need for the three wire grounded power cord and grounded power supply system.
6. **Avoid body contact with grounded surfaces such as pipes, radiators, ranges and refrigerators.** There is an increased risk of electric shock if your body is grounded.
7. **Do not expose power tools to rain or wet conditions.** Water entering a power tool will increase the risk of electric shock.
8. **Do not abuse the cord. Never use the cord to carry the tools or pull the plug from an outlet. Keep cord away from heat, oil, sharp edges or moving parts. Replace damaged cords immediately.** Damaged cords increase the risk of electric shock.
9. **When operating a power tool outside, use an outdoor extension cord marked "W-A" or "W".** These cords are rated for outdoor use and reduce the risk of electric shock.

PERSONAL SAFETY

10. **Stay alert, watch what you are doing, and use common sense when operating a power tool. Do not use tool while tired or under the influence of drugs, alcohol, or medication.** A moment of inattention while operating power tools may result in serious personal injury.
11. **Dress properly. Do not wear loose clothing or jewelry. Contain long hair. Keep your hair, clothing, and gloves away from moving parts.** Loose clothes, jewelry, or long hair can be caught in moving parts.

12. **Avoid accidental starting. Be sure switch is off before plugging in.** Carrying tools with your finger on the switch or plugging in tools with the switch on invites accidents.
13. **Remove adjusting keys or wrenches before turning on the tool.** A wrench or a key that is left attached to a rotating part of the tool may result in personal injury.
14. **Do not overreach. Keep proper footing and balance at all times.** Proper footing and balance enables better control of the tool in unexpected situations.
15. **Use safety equipment. Always wear eye protection.** Dust mask, non-skid safety shoes, hard hat, or hearing protection must be used for appropriate conditions.

TOOL USE AND CARE

16. **Use clamps or other practical way to secure and support the workpiece to a stable platform.** Holding the work by hand or against your body is unstable and may lead to loss of control.
17. **Do not force tool. Use the correct tool for your application.** The correct tool will do the job better and safer at the rate for which it is designed.
18. **Do not use tool if switch does not turn it on or off.** Any tool that cannot be controlled with the switch is dangerous and must be repaired.
19. **Disconnect the plug from the power source before making any adjustments, changing accessories, or storing the tool.** Such preventive safety measures reduce the risk of starting the tool accidentally.
20. **Store idle tools out of reach of children and other untrained persons.** Tools are dangerous in the hands of untrained users.
21. **Maintain tools with care. Keep cutting tools sharp and clean.** Properly maintained tools with sharp cutting edge are less likely to bind and are easier to control. Do not use a damaged tool. Tag damaged tools "Do not use" until repaired.
22. **Check for misalignment or binding of moving parts, breakage of parts, and any other condition that may affect the tool's operation. If damaged, have the tool serviced before using.** Many accidents are caused by poorly maintained tools.
23. **Use only accessories that are recommended by the manufacturer for your model.** Accessories that may be suitable for one tool, may become hazardous when used on another tool.

SERVICE





24. **Tool service must be performed only by qualified repair personnel.** Service or maintenance performed by unqualified personnel could result in a risk of injury.
25. **When servicing a tool, use only identical replacement parts. Follow instructions in the Maintenance section of this manual.** Use of unauthorized parts or failure to follow Maintenance Instructions may create a risk of electric shock or injury.

SPECIFIC SAFETY RULES — SAWZALLS®

1. **Hold tool by insulated gripping surfaces when performing an operation where the cutting tool may contact hidden wiring or its own cord.** Contact with a "live" wire will make exposed metal parts of the tool "live" and shock the operator.
2. **Keep hands away from all cutting edges and moving parts.**
3. **Maintain labels and nameplates.** These carry important information. If unreadable or missing, contact a *MILWAUKEE* service facility for a free replacement.
4. **WARNING!** Some dust created by power sanding, sawing, grinding, drilling, and other construction activities contains chemicals known to cause cancer, birth defects or other reproductive harm. Some examples of these chemicals are:
 - lead from lead-based paint
 - crystalline silica from bricks and cement and other masonry products, and
 - arsenic and chromium from chemically-treated lumber.

Your risk from these exposures varies, depending on how often you do this type of work. To reduce your exposure to these chemicals: work in a well ventilated area, and work with approved safety equipment, such as those dust masks that are specially designed to filter out microscopic particles.

Symbology

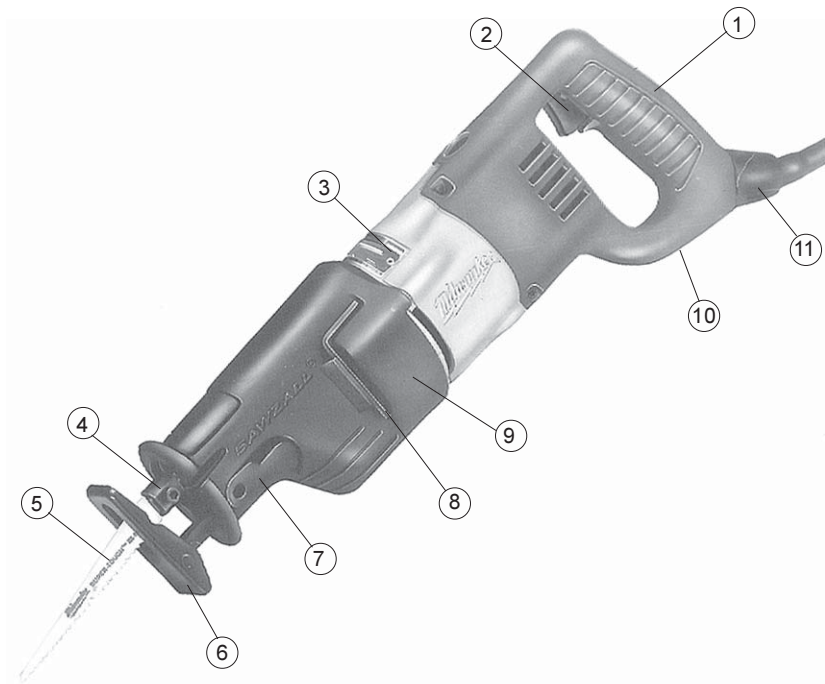
	Double Insulated
	Canadian Standards Association
	Underwriters Laboratories, Inc.
	Volts Alternating Current

Specifications

Catalog Number	Volts AC Only	Length of Stroke	Strokes per Minute
6527	120	1-1/4"	0-2800
6527-21	120	1-1/4"	0-2800
6528	120	1-1/4"	0-2800
6537-22	120	1-1/4"	0-3200
6537-75	120	1-1/4"	0-3200

FUNCTIONAL DESCRIPTION

1. Handle
2. Trigger
3. Nameplate
4. Blade Clamp
5. Blade
6. Adjustable Pivot Shoe
7. Shoe Release Lever
8. Hex Key (Select Models)
9. Insulating Boot
10. Speed Control Dial
11. Quik-Lok® Cord (Select Models)



GROUNDING



WARNING!

Improperly connecting the grounding wire can result in the risk of electric shock. Check with a qualified electrician if you are in doubt as to whether the outlet is properly grounded. Do not modify the plug provided with the tool. Never remove the grounding prong from the plug. Do not use the tool if the cord or plug is damaged. If damaged, have it repaired by a MILWAUKEE service facility before use. If the plug will not fit the outlet, have a proper outlet installed by a qualified electrician.

Grounded Tools: Tools with Three Prong Plugs

Tools marked "Grounding Required" have a three wire cord and three prong grounding plug. The plug must be connected to a properly grounded outlet (See Figure A). If the tool should electrically malfunction or break down, grounding provides a low resistance path to carry electricity away from the user, reducing the risk of electric shock.

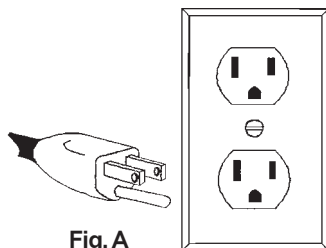


Fig. A

The grounding prong in the plug is connected through the green wire inside the cord to the grounding system in the tool. The green wire in the cord must be the only wire connected to the tool's grounding system and must never be attached to an electrically "live" terminal.

Your tool must be plugged into an appropriate outlet, properly installed and grounded in accordance with all codes and ordinances. The plug and outlet should look like those in Figure A.

Double Insulated Tools: Tools with Two Prong Plugs

Tools marked "Double Insulated" do not require grounding. They have a special double insulation system which satisfies OSHA requirements and complies with the applicable standards of Underwriters Laboratories, Inc., the Canadian Standard Association and the National Electrical Code. Double Insulated tools may be used in either of the 120 volt outlets shown in Figures B and C.

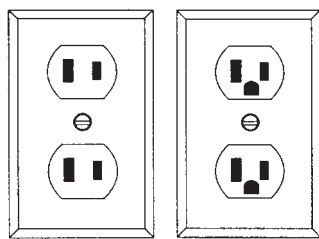


Fig. B

Fig. C

EXTENSION CORDS

Grounded tools require a three wire extension cord. Double insulated tools can use either a two or three wire extension cord. As the distance from the supply outlet increases, you must use a heavier gauge extension cord. Using extension cords with inadequately sized wire causes a serious drop in voltage, resulting in loss of power and possible tool damage. Refer to the table shown to determine the required minimum wire size.

The smaller the gauge number of the wire, the greater the capacity of the cord. For example, a 14 gauge cord can carry a higher current than a 16 gauge cord. When using more than one extension cord to make up the total length, be sure each cord contains at least the minimum wire size required. If you are using one extension cord for more than one tool, add the nameplate amperes and use the sum to determine the required minimum wire size.

Guidelines for Using Extension Cords

- If you are using an extension cord outdoors, be sure it is marked with the suffix "W-A" ("W" in Canada) to indicate that it is acceptable for outdoor use.
- Be sure your extension cord is properly wired and in good electrical condition. Always replace a damaged extension cord or have it repaired by a qualified person before using it.
- Protect your extension cords from sharp objects, excessive heat and damp or wet areas.

Recommended Minimum Wire Gauge for Extension Cords*

Nameplate Amperes	Extension Cord Length					
	25'	50'	75'	100'	150'	200'
0 - 5	16	16	16	14	12	12
5.1 - 8	16	16	14	12	10	--
8.1 - 12	14	14	12	10	--	--
12.1 - 15	12	12	10	10	--	--
15.1 - 20	10	10	10	--	--	--

* Based on limiting the line voltage drop to five volts at 150% of the rated amperes.

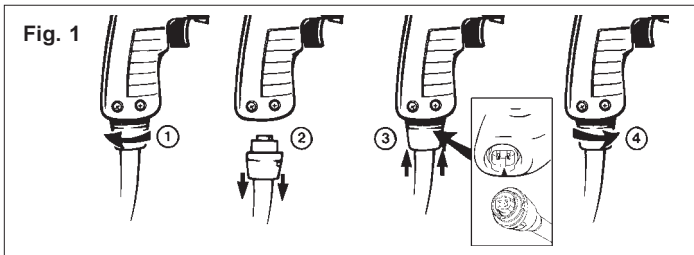
**READ AND SAVE ALL INSTRUCTIONS
FOR FUTURE USE.**



WARNING!

To reduce the risk of injury, always unplug tool before attaching or removing accessories or making adjustments. Use only specifically recommended accessories. Others may be hazardous.

Removing and Replacing Quik-Lok® Cords (Fig. 1) (Select Models)
 MILWAUKEE's exclusive Quik-Lok® Cords provide instant field replacement or substitution.



1. To remove the Quik-Lok® Cord, turn the cord nut 1/4 turn to the left and pull it out.
2. To replace the Quik-Lok® Cord, align the connector keyways and push the connector in as far as it will go. Turn the cord nut 1/4 turn to the right to lock.

Selecting a Blade

Use MILWAUKEE Sawzall® Blades for best performance. When selecting a blade, choose the right type and length.

Many types of blades are available for a variety of applications: cutting metal, wood, nail-embedded wood, scroll cutting, roughing-in, and contours.

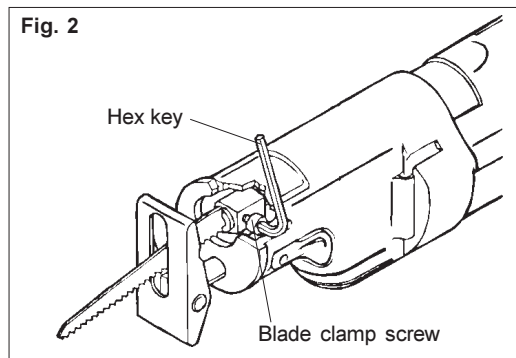
Many lengths are also available. Choose a length long enough to extend beyond the shoe and your work throughout the stroke. **Do not use blades less than 3-1/2" long since they won't extend beyond the shoe throughout the stroke.**

For best performance and longest life, see "Accessories" to select the best blade for the job.

Installing and Removing Blades

Blade Clamp (Fig. 2) Select Models

Unplug the tool before changing blades. Be sure the spindle and blade clamp area are clean. Metal chips and sawdust may prevent the blade clamp screw from clamping securely.



1. Depending on the job, the blade may be inserted with the teeth facing upward or downward.

To install a blade, loosen the blade clamp screw, turning it counterclockwise. Insert the blade until the tang butts against the spindle.

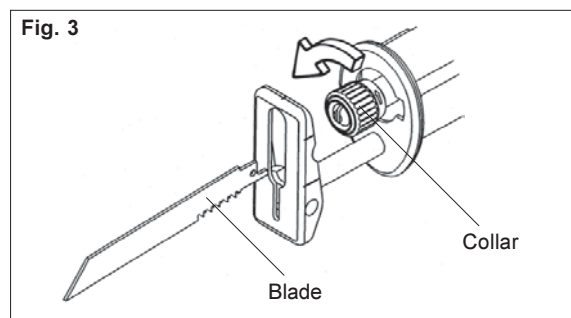
NOTE: The blade must be inserted all the way into the spindle so that the tang on the blade seats firmly in the blade clamp.

Insert the hex key into the blade clamp screw, turning it clockwise. Tighten securely.

2. To remove a blade, insert hex key into the blade clamp screw and turn it counterclockwise 1 full turn. Then slide the blade out of the spindle. Be careful when handling hot blades.

Quik-Lok® Blade Clamp (Fig. 3) (Select Models)

Unplug the tool before changing blades. Be sure the spindle and blade clamp areas are clean. Metal chips and sawdust may prevent the Quik-Lok® blade clamp from clamping securely.



1. Depending on the job, the blade may be inserted with the teeth facing up or down. To install a blade, twist collar in the direction of the arrow while inserting the blade into the clamp until the tang butts against the collar.
2. Release collar and the spring loaded mechanism will clamp the blade firmly in place.
3. Twist collar in the opposite direction of the arrow to ensure that the blade is locked into the clamp.
4. Tug on blade to make sure it is securely locked in place.
5. To remove a blade, twist collar in the direction of the arrow while pulling on the blade. Be careful when handling hot blades.

Quik-Lok® Blade Clamp Maintenance

- Periodically clean dust and debris from the Quik-Lok® blade clamp with dry compressed air.
- If the collar resists twisting, twist the collar back and forth to shake debris loose.
- Periodically lubricate Quik-Lok® blade clamp with a dry lubricant such as graphite.

Removing broken blades from the Quik-Lok® Blade Clamp

Unplug the tool before removing blades. Broken blades can be removed by the following methods.

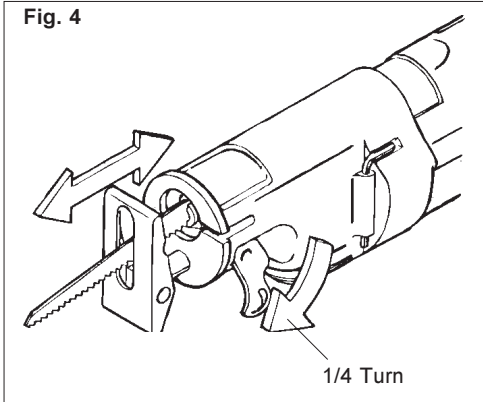
- Point the tool downward, twist the collar, and shake the tool up and down. (**DO NOT** turn the tool on while your fingers are holding the blade clamp open). The shank of the broken blade should drop out of the clamp.
- If shaking the tool doesn't work...

In most cases, a corner of the broken blade will extend beyond the blade clamp. Simply twist the collar and pull the broken blade out of the clamp by this corner.

- If the broken stub doesn't extend far enough to be grabbed by its corner, use a thin blade with small teeth (such as a metal cutting blade) to hook the blade that is jammed in the clamp while twisting the collar and pull it out.

Adjustable Pivot Shoe (Fig. 4)

The shoe can be adjusted forward or backward to three positions to take advantage of the unused portion of the blade or for special jobs requiring low blade clearance.

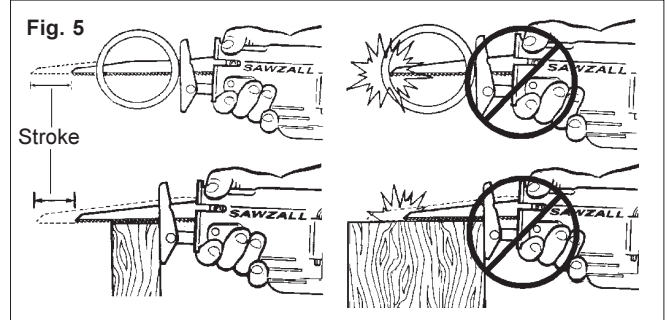


1. To adjust the shoe, pull the shoe release lever down 1/4 turn and slide the shoe forward or backward to the desired position.
2. To lock the shoe in position, push the shoe release lever up.
3. After adjusting the shoe, slowly pull the trigger to be sure the blade always extends beyond the shoe and your work throughout the stroke.

DO NOT OPERATE SAWZALL WITHOUT SHOE. STRIKING THE SPINDLE AGAINST WORK MAY DAMAGE THE RECIPROCATING MECHANISM.

WARNING!

To reduce the risk of injury, be sure the blade always extends beyond the shoe and work throughout the stroke. (Fig. 5) Blades may shatter if they impact the work or shoe.



OPERATION

WARNING!

To reduce the risk of injury, wear safety goggles or glasses with side shields. Unplug the tool before changing accessories or making adjustments.

Impact Protection System

Select models are equipped with a unique patented gearing system that provides efficient power transmission and extended life in the most difficult cutting applications. This durable system will absorb impacts, blade lock ups, and motor stalls. These models can be used for extreme cutting applications such as large diameter pipe, thick metal, pallets, and heavy demolition and renovation work as well as for general purpose cutting.

Starting, Stopping and Controlling Speed

1. To start the tool, grasp the handle firmly and pull the trigger.
2. To stop the tool, release the trigger. Allow the tool to come to a complete stop before removing the blade from a partial cut or laying the tool down.

Selecting the Speed Range

The speed control dial controls the maximum strokes per minute. The speed will remain variable to the chosen dial setting by use of the trigger switch. Refer to the chart for recommended dial settings.

Material	Suggested dial settings*
Mild Steel	2-3
Wood	5
Nail-Embedded Wood	5
Stainless Steel	1-3
Drywall	4-5
Fiberglass	1-3
Plastics	1-3
Cast Iron	2-3
Non-Ferrous Metals	2-3

* These are only suggested settings; the actual optimum setting may vary depending on line voltage, blade selected and user preference.

Trigger Speed Control Switch

Super Sawzalls® are equipped with a trigger speed control switch. It may be operated at any speed from zero strokes per minute to full speed. Always start tool before blade contacts the workpiece. To vary the speed, simply increase or decrease the pressure on the trigger. The further the trigger is pulled, the greater the speed. To stop the tool, release the trigger and allow the tool to stop completely before removing from a partial cut or before laying the tool down.

General Cutting

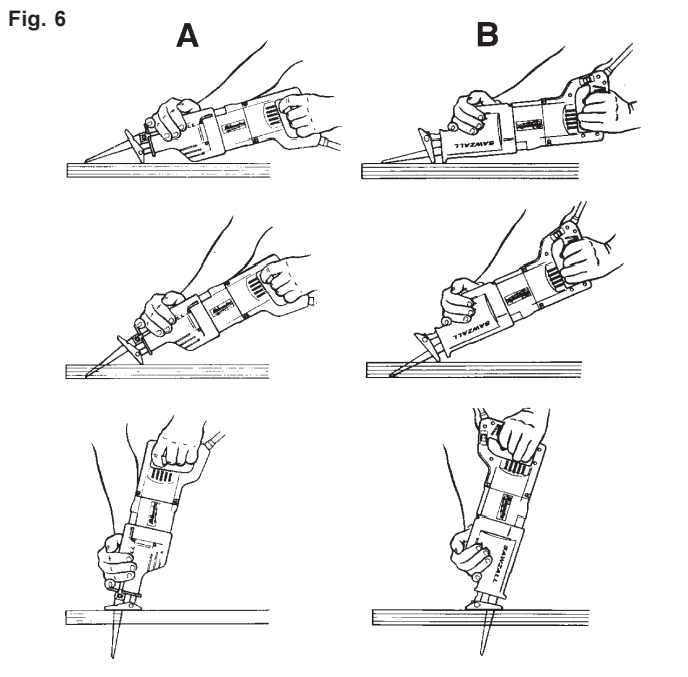
For straight or contour cutting from an edge, line the blade up with your cutting line. Before the blade contacts the workpiece, grasp the handle firmly and pull the trigger. Then guide the tool along your cutting line. Always hold the shoe flat against the workpiece to avoid excessive vibration.

Cutting Metals

Begin cutting at a slow speed, gradually increasing speed as you cut. When cutting into metals or hard materials that can not be cut from an edge, drill a starting hole larger than the widest part of the blade. Extend blade life by using a solid blade cutting lubricant such as *MILWAUKEE* Band Saw Blade Lubricant Catalog Number 49-08-4206.

Plunge Cutting (Fig. 6)

Your *MILWAUKEE* Sawzall® is ideal for plunge cutting directly into surfaces that can not be cut from an edge, such as walls or floors. Plunge cutting may be done two ways depending on how the blade is inserted. Column A shows how to plunge cut with the teeth of the blade facing down. Column B shows how to plunge cut with the teeth of the blade facing up. Do not plunge cut into metal surfaces (see "Cutting Metals").



WARNING!

To reduce the risk of explosion, electric shock and property damage, always check the work area for hidden gas pipes, electrical wires or water pipes when making blind or plunge cuts.

1. Insert the blade into the tool.
If you inserted the blade with the teeth facing downward, hold the tool as shown in Column A, resting the edge of the shoe on the workpiece.
If you inserted the blade with the teeth facing upward, hold the tool as shown in Column B, resting the edge of the shoe on the workpiece as shown.
2. With the blade just above the workpiece, pull the trigger. Using the edge of the shoe as a pivot, lower the blade into the workpiece as shown.
3. As the blade starts cutting, raise the handle of the tool slowly until the shoe rests firmly on the workpiece. Then guide the tool along your cutting line to acquire the desired cut.

NOTE: To make plunge cutting easier, use a heavy gauge blade and install the blade with the teeth facing upward as shown in Column B.

MAINTENANCE



WARNING!

To reduce the risk of injury, always unplug your tool before performing any maintenance. Never disassemble the tool or try to do any rewiring on the tool's electrical system. Contact a *MILWAUKEE* service facility for ALL repairs.

Maintaining Tools

Keep your tool in good repair by adopting a regular maintenance program. Before use, examine the general condition of your tool. Inspect guards, switches, tool cord set and extension cord for damage. Check for loose screws, misalignment, binding of moving parts, improper mounting, broken parts and any other condition that may affect its safe operation. If abnormal noise or vibration occurs, turn the tool off immediately and have the problem corrected before further use. Do not use a damaged tool. Tag damaged tools "DO NOT USE" until repaired (see "Repairs").

Under normal conditions, relubrication is not necessary until the motor brushes need to be replaced. After six months to one year, depending on use, return your tool to the nearest *MILWAUKEE* service facility for the following:

- Lubrication
- Brush inspection and replacement
- Mechanical inspection and cleaning (gears, spindles, bearings, housing, etc.)
- Electrical inspection (switch, cord, armature, etc.)
- Testing to assure proper mechanical and electrical operation

Cleaning

Clean dust and debris from vents. Keep the tool handles clean, dry and free of oil or grease. Use only mild soap and a damp cloth to clean your tool since certain cleaning agents and solvents are harmful to plastics and other insulated parts. Some of these include: gasoline, turpentine, lacquer thinner, paint thinner, chlorinated cleaning solvents, ammonia and household detergents containing ammonia. Never use flammable or combustible solvents around tools.



WARNING!

To reduce the risk of injury, electric shock and damage to the tool, never immerse your tool in liquid or allow a liquid to flow inside the tool.

Repairs

If your tool is damaged, return the entire tool to the nearest service center listed on the back cover of this operator's manual.

WARRANTY

Every *MILWAUKEE* product is warranted to be free from defects in material and workmanship. *MILWAUKEE* will repair or replace any product which examination proves to be defective in material or workmanship.

Limitations: This warranty does not cover: 1) repairs made or attempted by other than *MILWAUKEE* or *MILWAUKEE* Authorized Service Station personnel; 2) normal wear and tear; 3) abuse; 4) misuse; 5) improper maintenance; 6) continued use after partial failure; 7) tools that have been modified; or product used with an improper accessory.

Battery Packs are warranted for one (1) year from the date of purchase.

Should a problem develop, return the complete product to any *MILWAUKEE* Factory Service Center or *MILWAUKEE* Authorized Service Station, freight prepaid and insured. If inspection shows the problem is caused by a defect in material or workmanship, all repairs or a replacement will be made at no charge and the product will be returned, transportation prepaid. No other warranty, written or verbal, is authorized.

THE REPAIR AND REPLACEMENT REMEDIES DESCRIBED HEREIN ARE EXCLUSIVE. IN NO EVENT SHALL *MILWAUKEE* BE LIABLE FOR ANY INCIDENTAL, SPECIAL, OR CONSEQUENTIAL DAMAGES, INCLUDING LOSS OF PROFITS.

THIS WARRANTY IS IN LIEU OF ALL OTHER WARRANTIES, EXPRESSED OR IMPLIED WHETHER FOR MERCHANTABILITY OR FITNESS FOR PARTICULAR USE OR PURPOSE.

This warranty gives you specific legal rights. You may also have other rights that vary from state to state. In those states that do not allow the exclusion of implied warranties or limitations of incidental or consequential damages, the above limitations or exclusions may not apply to you.

ACCESSORIES



WARNING!

To reduce the risk of injury, always unplug the tool before attaching or removing accessories. Use only specifically recommended accessories. Others may be hazardous.

For a complete listing of accessories refer to your *MILWAUKEE* Electric Tool catalog. To obtain a catalog, contact your local distributor or a service center listed on the back cover of this operator's manual.

Quik-Lok® Cord Sets

8' Quik-Lok® Cord
Cat. No. 48-76-4008

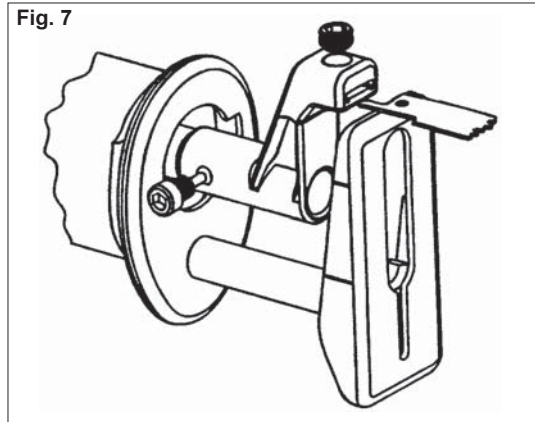
25' Quik-Lok® Cord
Cat. No. 48-76-4025

Offset Blade Adapter

Select Models (Fig. 7)

Cat. No. 48-03-2010

An offset blade adapter is available to make flush cuts possible. To attach, remove blade clamping screw and blade clamp. Place adapter over spindle, lining up hole in adapter casting with threaded hole in spindle. Replace screw, attaching adapter to spindle. Blade can then be secured in adapter blade clamp in the same manner it was secured in the spindle clamp.



Select Models:

Blade Clamp
Cat. No. 42-68-0647

Blade Clamp Screw
Cat. No. 06-83-2960

"787" Blades:

Blade Clamp
Cat. No. 42-68-0677

Blade Clamp Screw
Cat. No. 06-83-2960

RÈGLES DE SÉCURITÉ GÉNÉRALES



AVERTISSEMENT!

VOUS DEVEZ LIRE ET COMPRENDRE TOUTES LES INSTRUCTIONS.


Le non-respect, même partiel, des instructions ci-après entraîne un risque de choc électrique, d'incendie et/ou de blessures graves.

CONSERVEZ CES INSTRUCTIONS.

AIRE DE TRAVAIL

1. **Veillez à ce que l'aire de travail soit propre et bien éclairée.** Le désordre et le manque de lumière favorisent les accidents.
2. **N'utilisez pas d'outils électriques dans une atmosphère explosive, par exemple en présence de liquides, de gaz ou de poussières inflammables.** Les outils électriques créent des étincelles qui pourraient enflammer les poussières ou les vapeurs.
3. **Tenez à distance les curieux, les enfants et les visiteurs pendant que vous travaillez avec un outil électrique.** Ils pourraient vous distraire et vous faire faire une fausse manoeuvre. Installez des barrières ou des écrans protecteurs si nécessaire.

SÉCURITÉ ÉLECTRIQUE

4. **Les outils mis à la terre doivent être branchés dans une prise de courant correctement installée et mise à la terre conformément à tous les codes et règlements pertinents. Ne modifiez jamais la fiche de quelque façon que ce soit, par exemple en enlevant la broche de mise à la terre. N'utilisez pas d'adaptateur de fiche. Si vous n'êtes pas certain que la prise de courant est correctement mise à la terre, adressez-vous à un électricien qualifié.** En cas de défaillance ou de défectuosité électrique de l'outil, une mise à la terre offre un trajet de faible résistance à l'électricité qui autrement risquerait de traverser l'utilisateur.
5. **Les outils à double isolation sont équipés d'une fiche polarisée (une des lames est plus large que l'autre), qui ne peut se brancher que d'une seule façon dans une prise polarisée. Si la fiche n'entre pas parfaitement dans la prise, inversez sa position ; si elle n'entre toujours pas bien, demandez à un électricien qualifié d'installer une prise de courant polarisée. Ne modifiez pas la fiche de l'outil.** La double isolation  élimine le besoin d'un cordon d'alimentation à trois fils avec mise à la terre ainsi que d'une prise de courant mise à la terre.
6. **Évitez tout contact corporel avec des surfaces mises à la terre (tuyauterie, radiateurs, cuisinières, réfrigérateurs, etc.).** Le risque de choc électrique est plus grand si votre corps est en contact avec la terre.
7. **N'exposez pas les outils électriques à la pluie ou à l'eau.** La présence d'eau dans un outil électrique augmente le risque de choc électrique.
8. **Ne maltraitez pas le cordon. Ne transportez pas l'outil par son cordon et ne débranchez pas la fiche en tirant sur le cordon. N'exposez pas le cordon à la chaleur, à des huiles, à des arêtes vives ou à des pièces en mouvement. Remplacez immédiatement un cordon endommagé.** Un cordon endommagé augmente le risque de choc électrique.
9. **Lorsque vous utilisez un outil électrique à l'extérieur, employez un prolongateur pour l'extérieur marqué « W-A » ou « W ».** Ces cordons sont faits pour être utilisés à l'extérieur et réduisent le risque de choc électrique.

SÉCURITÉ DES PERSONNES

10. **Restez alerte, concentrez-vous sur votre travail et faites preuve de jugement. N'utilisez pas un outil électrique si vous êtes fatigué ou sous l'influence de drogues, d'alcool ou de médicaments.** Un instant d'inattention suffit pour entraîner des blessures graves.
11. **Habillez-vous convenablement. Ne portez ni vêtements flottants ni bijoux. Confinez les cheveux longs. N'approchez jamais les cheveux, les vêtements ou les gants des pièces**

en mouvement. Des vêtements flottants, des bijoux ou des cheveux longs risquent d'être happés par des pièces en mouvement.

12. **Méfiez-vous d'un démarrage accidentel. Avant de brancher l'outil, assurez-vous que son interrupteur est sur ARRÊT.** Le fait de transporter un outil avec le doigt sur la détente ou de brancher un outil dont l'interrupteur est en position MARCHE peut mener tout droit à un accident.
13. **Enlevez les clés de réglage ou de serrage avant de démarrer l'outil.** Une clé laissée dans une pièce tournante de l'outil peut provoquer des blessures.
14. **Ne vous penchez pas trop en avant. Maintenez un bon appui et restez en équilibre en tout temps.** Une bonne stabilité vous permet de mieux réagir à une situation inattendue.
15. **Utilisez des accessoires de sécurité. Portez toujours des lunettes ou une visière.** Selon les conditions, portez aussi un masque antipoussière, des bottes de sécurité antidérapantes, un casque protecteur et/ou un appareil antibruit.

UTILISATION ET ENTRETIEN DES OUTILS

16. **Immobilisez le matériau sur une surface stable au moyen de brides ou de toute autre façon adéquate.** Le fait de tenir la pièce avec la main ou contre votre corps offre une stabilité insuffisante et peut amener un dérapage de l'outil.
17. **Ne forcez pas l'outil. Utilisez l'outil approprié à la tâche.** L'outil correct fonctionne mieux et de façon plus sécuritaire. Respectez aussi la vitesse de travail qui lui est propre.
18. **N'utilisez pas un outil si son interrupteur est bloqué.** Un outil que vous ne pouvez pas commander par son interrupteur est dangereux et doit être réparé.
19. **Débranchez la fiche de l'outil avant d'effectuer un réglage, de changer d'accessoire ou de ranger l'outil.** De telles mesures préventives de sécurité réduisent le risque de démarrage accidentel de l'outil.
20. **Rangez les outils hors de la portée des enfants et d'autres personnes inexpérimentées.** Les outils sont dangereux dans les mains d'utilisateurs novices.
21. **Prenez soin de bien entretenir les outils. Les outils de coupe doivent être toujours bien affûtés et propres.** Des outils bien entretenus, dont les arêtes sont bien tranchantes, sont moins susceptibles de coincer et plus faciles à diriger. N'utilisez pas un outil défectueux. Fixez-y une étiquette marquée « Hors d'usage » jusqu'à ce qu'il soit réparé.
22. **Soyez attentif à tout désalignement ou coincement des pièces en mouvement, à tout bris ou à toute autre condition préjudiciable au bon fonctionnement de l'outil. Si vous constatez qu'un outil est endommagé, faites-le réparer avant de vous en servir.** De nombreux accidents sont causés par des outils en mauvais état.
23. **N'utilisez que des accessoires que le fabricant recommande pour votre modèle d'outil.** Certains accessoires peuvent convenir à un outil, mais être dangereux avec un autre.

RÉPARATION





24. **La réparation des outils électriques doit être confiée à un réparateur qualifié.** L'entretien ou la réparation d'un outil électrique par un amateur peut avoir des conséquences graves.
25. **Pour la réparation d'un outil, n'employez que des pièces de rechange d'origine. Suivez les directives données à la section « Réparation » de ce manuel.** L'emploi de pièces non autorisées ou le non-respect des instructions d'entretien peut créer un risque de choc électrique ou de blessures.

RÈGLES DE SÉCURITÉ SPÉCIFIQUES — SAWZALLS®

1. **Tenez l'outil par ses surfaces de prise isolées pendant toute opération où l'outil de coupe pourrait venir en contact avec un câblage dissimulé.** En cas de contact avec un conducteur sous tension, les pièces métalliques à découvert de l'outil transmettraient un choc électrique à l'utilisateur.
2. **Tenez les mains à l'écart des arêtes tranchantes et des pièces en mouvement.**
3. **Entretenez les étiquettes et marques du fabricant.** Les indications qu'elles contiennent sont précieuses. Si elles deviennent illisibles ou se détachent, faites-les remplacer gratuitement à un centre de service **MILWAUKEE** accrédité.
4. **AVERTISSEMENT!** La poussière dégagée par perçage, sciage et autres travaux de construction contient des substances chimiques reconnues comme pouvant causer le cancer, des malformations congénitales ou d'autres troubles de reproduction. Voici quelques exemples de telles substances :
 - Le plomb contenu dans la peinture au plomb.
 - Le silice cristallin contenu dans la brique, le béton et divers produits de maçonnerie.
 - L'arsenic et le chrome servant au traitement chimique du bois.

Les risques associés à l'exposition à ces substances varient, dépendant de la fréquence des travaux. Afin de minimiser l'exposition à ces substances chimiques, assurez-vous de travailler dans un endroit bien aéré et d'utiliser de l'équipement de sécurité tel un masque antipoussière spécifiquement conçu pour la filtration de particules microscopiques.

Pictographie

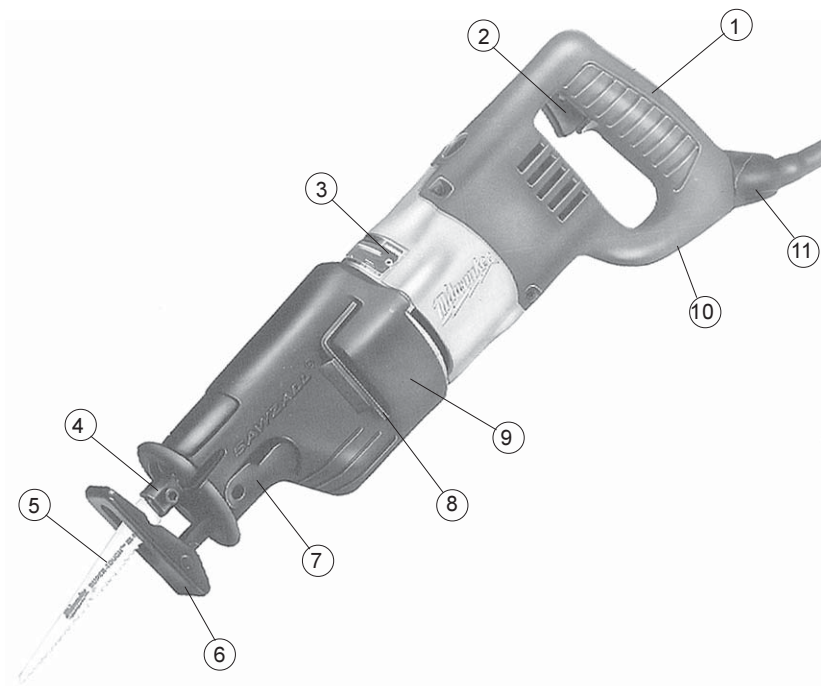
	Double Insolation
	l'Association canadienne de normalisation (ACNOR)
	Underwriters Laboratories, Inc.
	Couvant alternatif

Spécifications

No de Cat.	Volts CA seul.	Longueur de course	Cycles par minute
6527	120	32 mm (1-1/4")	0-2 800
6527-21	120	32 mm (1-1/4")	0-2 800
6528	120	32 mm (1-1/4")	0-2 800
6537-22	120	32 mm (1-1/4")	0-3 200
6537-75	120	32 mm (1-1/4")	0-3 200

DESCRIPTION FONCTIONNELLE

1. Poignée
2. Détente
3. Fiche signalétique
4. Fixation de lame
5. Lame
6. Semelle à axe réglable
7. Déclencheur de semelle
8. Clé hex (modèles spécifiques)
9. Bouclier isolant
10. L'indicateur de réglage de vitesse
11. Cordon Quik-Lok® (modèles spécifiques)



MISE À LA TERRE



Si le fil de mise à la terre est incorrectement raccordé, il peut en résulter des risques de choc électrique. Si vous n'êtes pas certain que la prise dont vous vous servez est correctement mise à la terre, faites-la vérifier par un électricien. N'altérez pas la fiche du cordon de l'outil. N'enlevez pas de la fiche, la dent qui sert à la mise à la terre. N'employez pas l'outil si le cordon ou la fiche sont en mauvais état. Si tel est le cas, faites-les réparer dans un centre-service **MILWAUKEE** accrédité avant de vous en servir. Si la fiche du cordon ne s'adapte pas à la prise, faites remplacer la prise par un électricien.

Outils mis à la terre :

Outils pourvus d'une fiche de cordon à trois dents

Les outils marqués « Mise à la terre requise » sont pourvus d'un cordon à trois fils dont la fiche a trois dents. La fiche du cordon doit être branchée sur une prise correctement mise à la terre (voir Figure A). De cette façon, si une défectuosité dans le circuit électrique de l'outil survient, le relais à la terre fournira un conducteur à faible résistance pour décharger le courant et protéger l'utilisateur contre les risques de choc électrique.

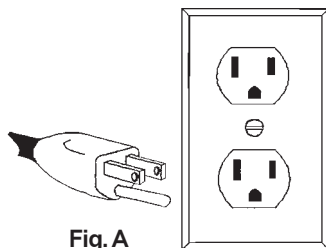


Fig. A

La dent de mise à la terre de la fiche est reliée au système de mise à la terre de l'outil via le fil vert du cordon. Le fil vert du cordon doit être le seul fil raccordé à un bout au système de mise à la terre de l'outil et son autre extrémité ne doit jamais être raccordée à une borne sous tension électrique.

Votre outil doit être branché sur une prise appropriée, correctement installée et mise à la terre conformément aux codes et ordonnances en vigueur. La fiche du cordon et la prise de courant doivent être semblables à celles de la Figure A.

Outils à double isolation :

Outils pourvus d'une fiche de cordon à deux dents

Les outils marqués « Double Isolation » n'ont pas besoin d'être raccordés à la terre. Ils sont pourvus d'une double isolation conforme aux exigences de l'OSHA et satisfont aux normes de l'Underwriters Laboratories, Inc., de l'Association canadienne de normalisation (ACNOR) et du « National Electrical Code » (code national de l'électricité). Les outils à double isolation peuvent être branchés sur n'importe laquelle des prises à 120 volt illustrées ci-contre Figure B et C.

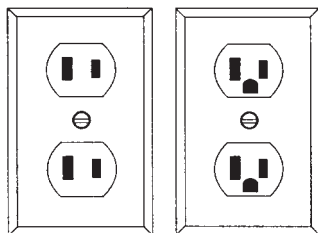


Fig. B

Fig. C

CORDONS DE RALLONGE

Si l'emploi d'un cordon de rallonge est nécessaire, un cordon à trois fils doit être employé pour les outils mis à la terre. Pour les outils à double isolation, on peut employer indifféremment un cordon de rallonge à deux ou trois fils. Plus la longueur du cordon entre l'outil et la prise de courant est grande, plus le calibre du cordon doit être élevé. L'utilisation d'un cordon de rallonge incorrectement calibré entraîne une chute de voltage résultant en une perte de puissance qui risque de détériorer l'outil. Reportez-vous au tableau ci-contre pour déterminer le calibre minimum du cordon.

Moins le calibre du fil est élevé, plus sa conductivité est bonne. Par exemple, un cordon de calibre 14 a une meilleure conductivité qu'un cordon de calibre 16. Lorsque vous utilisez plus d'une rallonge pour couvrir la distance, assurez-vous que chaque cordon possède le calibre minimum requis. Si vous utilisez un seul cordon pour brancher plusieurs outils, additionnez le chiffre d'intensité (ampères) inscrit sur la fiche signalétique de chaque outil pour obtenir le calibre minimal requis pour le cordon.

Directives pour l'emploi des cordons de rallonge

- Si vous utilisez une rallonge à l'extérieur, assurez-vous qu'elle est marquée des sigles « W-A » (« W » au Canada) indiquant qu'elle est adéquate pour usage extérieur.
- Assurez-vous que le cordon de rallonge est correctement câblé et en bonne condition. Remplacez tout cordon de rallonge détérioré ou faites-le remettre en état par une personne compétente avant de vous en servir.
- Tenez votre cordon de rallonge à l'écart des objets ranchants, des sources de grande chaleur et des endroits humides ou mouillés.

Calibres minimaux recommandés pour les cordons de rallonge*

Fiche signalétique Ampères	Longueur du cordon de rallonge (m)					
	7,6	15,2	22,8	30,4	45,7	60,9
0 - 5,0	16	16	16	14	12	12
5,1 - 8,0	16	16	14	12	10	--
8,1 - 12,0	14	14	12	10	--	--
12,1 - 15,0	12	12	10	10	--	--
15,1 - 20,0	10	10	10	--	--	--

* Basé sur une chute de voltage limite de 5 volts à 150% de l'intensité moyenne de courant.

**LISEZ ATTENTIVEMENT CES INSTRUCTIONS
ET CONSERVEZ-LES POUR LES
CONSULTER AU BESOIN.**

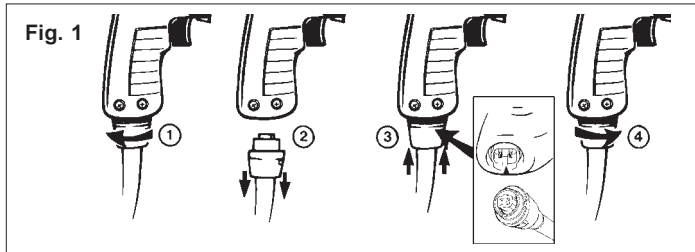


AVERTISSEMENT!

Pour minimiser les risques de blessures, débranchez toujours l'outil avant d'y faire des réglages, d'y attacher ou d'en enlever les accessoires. L'usage d'accessoires autres que ceux qui sont spécifiquement recommandés pour cet outil peut comporter des risques.

Retrait et remplacement du cordon Quik-Lok® (Fig. 1) (Modèles spécifiques)

Les cordons Quik-Lok® exclusifs à MILWAUKEE permettent d'installer le cordon ou de le remplacer sur place en un tournemain.



1. Pour retirer le cordon Quik-Lok®, tournez l'écrou du cordon 1/4 de tour vers la gauche et retirez-le.
2. Pour remettre le cordon en place, alignez les rainures à clavettes du connecteur et poussez le connecteur aussi loin que possible. Tournez ensuite l'écrou du cordon 1/4 de tour vers la droite pour le verrouiller.

Choix d'une lame

Pour obtenir de meilleurs résultats, employez les lames bimétalliques MILWAUKEE Sawzall®. Choisissez une lame de longueur et de calibre appropriés.

Plusieurs genres de lames sont à votre disposition pour effectuer des tâches spécifiques : taille du métal, bois, bois cloué, découpage, dégrossissage et profilage.

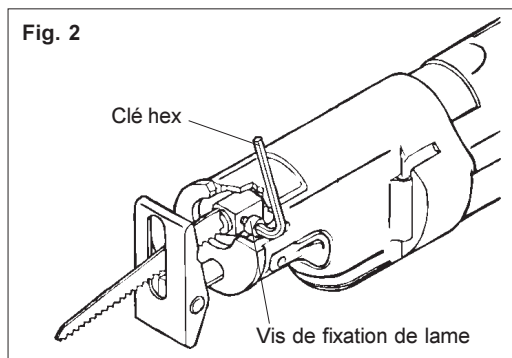
Les lames sont offertes en plusieurs longueurs. Optez pour une lame assez longue pour que sa course excède la semelle de l'outil et l'épaisseur du matériau à chaque cycle. **N'utilisez pas de lames moins longues que 89 mm (3-1/2"), car leur course n'excédera pas la semelle de l'outil tout au long du cycle.**

Pour de meilleurs résultats et une durabilité accrue, consultez la rubrique "Accessoires" pour le choix d'une lame qui convienne à votre tâche.

Installation et retrait de lames

Fixation de lame (Fig. 2) Modèles spécifiques

Debranchez l'outil avant de changer la lame. Assurez-vous que le pivot et la fixation de lame sont propres. Des rognures de métal et du bran de scie peuvent empêcher les vis de la fixation de retenir solidement la lame.



1. Selon la tâche à accomplir, la lame peut être installée avec les dents vers le bas ou vers le haut.

Pour installer une lame, desserrez la vis de la fixation de lame en la faisant tourner en sens inverse-horaire. Insérez la lame dans la fixation jusqu'à ce que le tenon s'arrête sur l'axe d'entraînement de l'outil.

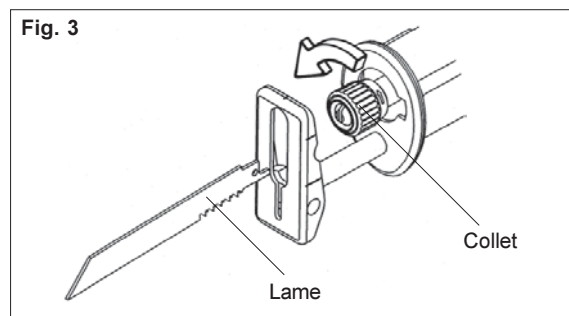
N.B. La lame doit être insérée assez loin dans le pivot pour que le tenon de lame repose fermement sur le fixation de lame.

Insérez la clé hex dans la vis de la fixation et faites-la tourner en sens horaire. Serrez la vis à fond. Remplacez toujours la clé hex dans le porte-clé après usage.

2. Pour retirer une lame, insérez la cle dans la vis de fixation de lame et tournez-la un tour complet en sens inverse-horaire, tel indiqué. Ensuite, retirez la lame du pivot. Soyez prudent lorsque vous retirez une lame brûlante.

Modèles de la fixation de lame Quik-Lok® (Fig. 3)

Debranchez l'outil avant de changer la lame. Assurez-vous que le pivot et la fixation de lame sont propres. Des rognures et du bran de scie peuvent empêcher la fixation Quik-Lok® de s'enclencher solidement.



1. Selon la tâche à accomplir, la lame peut être installée avec les dents vers le haut ou vers le bas. Pour installer une lame, tournez le collet dans le sens de la flèche et introduisez la lame dans la fixation jusqu'à ce que le tenon s'arrête sur le collet.
2. Relâchez le collet et le mécanisme à ressort va enclencher la lame fermement en place.
3. Tournez le collet dans le sens opposé à la flèche pour assurer l'enclenchement de la lame dans la fixation.
4. Tirez sur la lame pour vous assurer qu'elle est bien verrouillée en place.
5. Pour retirer une lame, tournez le collet dans le sens de la flèche pour retirer la lame. Soyez prudent avec les lames brûlantes.

Entretien de la fixation de lame Quik-Lok®

- Nettoyez périodiquement la poussière et les débris de la fixation de lame Quik-Lok® à l'aide d'un jet d'air comprimé sec.
- Si le collet résiste à la torsion, tournez le collet dans un sens puis dans l'autre pour chasser les débris.
- Lubrifiez périodiquement la fixation de lame Quik-Lok® avec un lubrifiant sec tel le graphite.

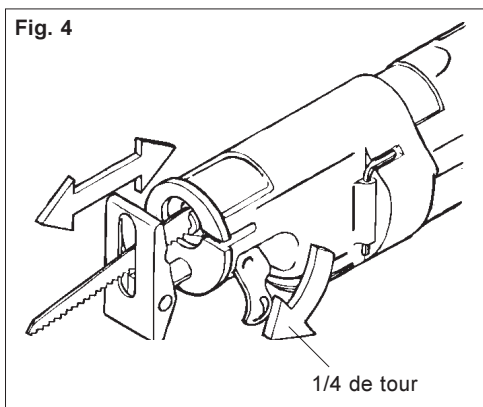
Retrait d'une lame brisée de la fixation de lame Quik-Lok®

Débranchez l'outil avant de retirer une lame. Une lame brisée peut être retirée selon les méthodes ci-dessous:

- Pointez l'outil vers le bas, tournez le collet et secouez l'outil de haut en bas. (**NE METTEZ PAS** l'outil en marche pendant que vos doigts maintiennent la fixation de lame en position ouverte). La tige de la lame brisée devrait s'éjecter de la fixation.
- Si vous n'obtenez pas de résultats en secouant l'outil...
Dans la plupart des cas, un morceau de la lame brisée dépassera de la fixation. Alors, tournez le collet et tirez le fragment de lame hors de la fixation.
- Si le fragment de la lame brisée ne dépasse pas assez de la fixation pour être agrippé, prenez une lame mince à petites dents (une lame à métal par exemple) et servez-vous-en comme grappin pour retirer la lame bloquée dans la fixation tandis que vous tournerez le collet.

Réglage de la semelle (Fig. 4)

La semelle peut être ajustée à trois positions vers l'avant ou l'arrière, afin de permettre l'utilisation d'une portion inutilisée de la lame lors de travaux spécifiques exigeant peu de jeu de lame.

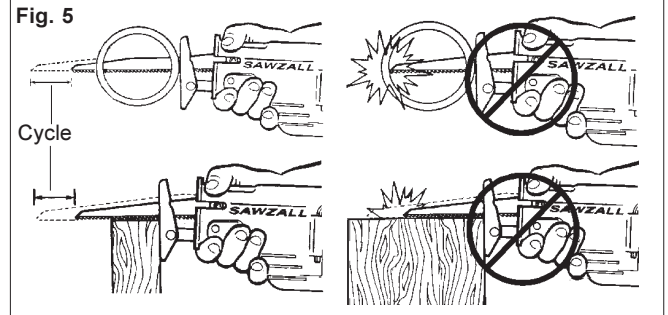


1. Pour ajuster la semelle, abaissez le levier déclencheur de la semelle d'un quart (1/4) de tour vers le bas et glissez la semelle vers l'avant ou l'arrière selon la position désirée.
2. Pour verrouiller la semelle en position, relevez le levier déclencheur.
3. Une fois le réglage de la semelle terminé, appuyez lentement sur la détente pour vous assurer que la course de la lame excède la semelle et l'épaisseur du matériau tout au long du cycle de coupe.

N'UTILISEZ PAS LE PASSE-PARTOUT SAWZALL SANS SEMELLE. SI L'AXE D'ENTRAÎNEMENT VIEN EN CONTACT DIRECT AVEC UN MATÉRIAU, LE MÉCANISME ALTERNATIF POURRA SUBIR DES DOMMAGES.

AVERTISSEMENT!

Pour minimiser les risques de blessures assurez-vous que la course de la lame excède la semelle et l'épaisseur du matériau tout au long du cycle de coupe (Fig. 5). La lame pourrait voler en éclat si elle vient en contact avec la semelle ou le matériau.





AVERTISSEMENT!

Pour minimiser les risques de blessures, portez des lunettes à coques latérales. Débranchez l'outil avant de changer les accessoires ou d'effectuer des réglages.

Système de protection anti-choc

Certains modèles sont pourvus d'un système d'engrenages unique et breveté qui maintient une puissance d'entraînement efficace et prolonge la durée de l'outil dans les conditions de coupes les plus difficiles. Ce système robuste résiste aux impacts, coincements de lame et pannes de moteur. Tout en servant à des tâches générales, ces modèles peuvent aussi être utilisés pour les coupes extrêmement difficiles de tuyaux de grand diamètre, métaux épais, palettes et travaux lourds de démolition et de rénovation.

Démarrage, arrêt et contrôle de la vitesse

1. Pour mettre l'outil en marche, empoignez fermement l'outil et appuyez sur la détente d'interrupteur.
2. Pour arrêter l'outil, relâchez la détente. Laissez l'outil s'arrêter complètement avant d'en retirer la lame d'une coupe partielle ou de le déposer.

Sélection du régime de vitesse

L'indicateur du réglage de vitesse détermine le nombre maximum de cycles par minute. La vitesse peut être variée, en deça de la vitesse maximale choisie, par l'usage de la détente d'interrupteur. Reportez-vous au tableau pour connaître les réglages recommandés.

Matériau	Réglages suggérés sigeremcoa del numero en*
Acier doux	2-3
Bois	5
Bois cloué	5
Acier inoxydable	1-3
Placoplâtre	4-5
Fibre de verre	1-3
Plastiques	1-3
Fonte	2-3
Métaux ferreux	2-3

* Ces réglages ne sont que des suggestions. Le réglage optimum nécessaire peut varier, selon la tension du réseau, la lame utilisée et le jugement de l'utilisateur.

Commande d'Interrupteur à détente

Les passe-partout Sawzalls® sont pourvus d'une commande d'interrupteur à vitesse variable. Ils peuvent fonctionner à n'importe quelle vitesse entre la vitesse nulle et le plein régime. Mettez toujours l'outil en marche avant de commencer une coupe. Pour varier la vitesse de coupe, il suffit simplement d'augmenter ou de réduire la pression du doigt sur la détente. Plus la détente est enfoncée, plus la vitesse de coupe est grande. Pour arrêter l'outil, relâchez la détente et laissez l'outil s'arrêter complètement avant de le retirer d'une entaille ou de le déposer.

Coupe, en général

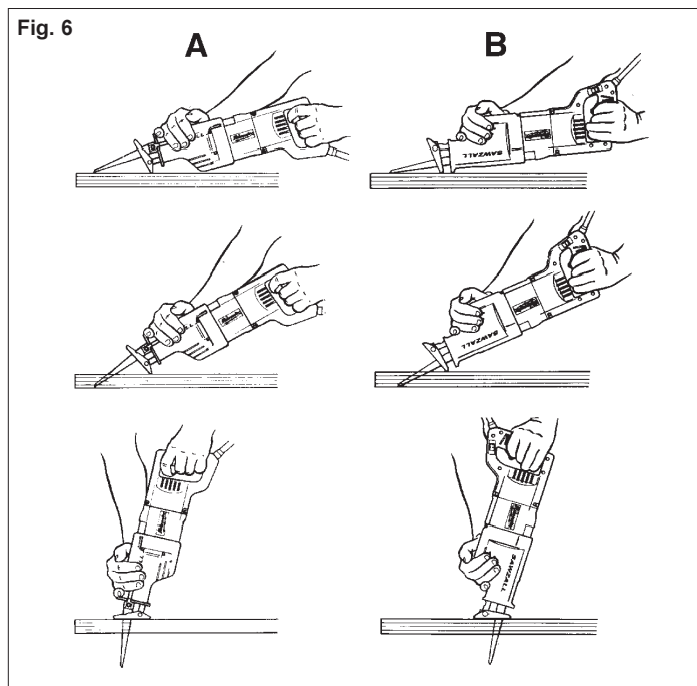
Pour des coupes droites ou profilées à partir du bord d'une pièce, alignez la lame sur la ligne de coupe. Avant que la lame ne touche le matériau, empoignez fermement l'outil et appuyez sur la détente. Entamez la coupe en suivant le tracé. Maintenez toujours la semelle de l'outil sur la pièce afin d'éviter l'excès de vibration.

Coupe des métaux

Commencez à couper à basse vitesse et continuez la coupe en augmentant la vitesse graduellement. Lorsque vous taillez dans un métal dur et que vous ne pouvez commencer la coupe à partir du bord de la pièce, percez un trou de départ plus grand que la partie la plus large de la lame. Pour prolonger la durée d'une lame, utilisez un bon liquide de coupe tel le lubrifiant pour lames de scie à ruban MILWAUKEE No de Catalogue 49-08-4206.

Coupe en plongée (Fig. 6)

Votre passe-partout MILWAUKEE Sawzall® est l'outil idéal pour effectuer des coupes en plongée directement dans les surfaces, lorsqu'il est impossible d'entamer une coupe à partir du bord, dans le cas de murs ou de planchers par exemple. La coupe en plongée peut s'effectuer de deux façons, dépendant de la position de la lame. La vignette de la colonne A démontre comment effectuer une coupe en plongée avec les dents de lame orientées vers le bas. Dans la colonne B, il est démontré comment effectuer une coupe en plongée avec les dents de lame orientées vers le haut. Il ne faut pas tenter d'effectuer des coupes en plongée dans les métaux (voir "Coupe des métaux").



 **AVERTISSEMENT!**

Pour minimiser les risques d'explosion, choc électrique et dommages à vos biens, lorsque vous effectuez une coupe en plongée, inspectez toujours l'aire de coupe pour y déceler la présence de fils électriques ou de canalisations.

1. Insérez la lame dans l'outil.

Si vous avez inséré la lame avec les dents orientées vers le bas, tenez l'outil tel qu'indiqué dans la colonne A, laissant le rebord de la semelle de l'outil reposer sur la pièce à tailler.

Si vous avez inséré la lame avec les dents orientées vers le haut, tenez l'outil tel qu'indiqué dans la colonne B, laissant le rebord de la semelle reposer sur la pièce, tel que démontré.

2. Maintenez la lame juste au-dessus de la surface et appuyez sur la détente. En vous servant du rebord de la semelle comme point d'appui, abaissez la lame dans la pièce à tailler, tel qu'indiqué.

3. À mesure que la lame s'enfonce dans la pièce, redressez lentement la poignée de l'outil jusqu'à ce que la semelle repose entièrement sur la surface de la pièce à tailler. Ensuite, guidez l'outil sur la ligne de coupe pour obtenir la coupe désirée.

N.B. Pour faciliter la coupe en plongée, utilisez une lame de calibre lourd que vous installerez avec les dents orientées vers le haut, tel que démontré dans la colonne B.

MAINTENANCE

 **AVERTISSEMENT!**

Pour minimiser les risques de blessures, débranchez toujours l'outil avant d'y effectuer des travaux de maintenance. Ne faites pas vous-même le démontage de l'outil ni le rebobinage du système électrique. Consultez un centre de service **MILWAUKEE** accrédité pour toutes les réparations.

Entretien de l'outil

Gardez l'outil en bon état en adoptant un programme d'entretien ponctuel. Avant de vous en servir, examinez son état en général. Inspectez-en la garde, interrupteur, cordon et cordon de rallonge pour en déceler les défauts. Vérifiez le serrage des vis, l'alignement et le jeu des pièces mobiles, les vices de montage, bris de pièces et toute autre condition pouvant en rendre le fonctionnement dangereux. Si un bruit ou une vibration insolite survient, arrêtez immédiatement l'outil et faites-le vérifier avant de vous en servir de nouveau. N'utilisez pas un outil défectueux. Fixez-y une étiquette marquée « HORS D'USAGE » jusqu'à ce qu'il soit réparé (voir « Réparations »).

Normalement, il ne sera pas nécessaire de lubrifier l'outil avant que le temps ne soit venu de remplacer les balais. Après une période pouvant aller de 6 mois à un an, selon l'usage, retournez votre outil à un centre de service **MILWAUKEE** accrédité pour obtenir les services suivants :

- Lubrification
- Inspection et remplacement des balais
- Inspection et nettoyage de la mécanique (engrenages, pivots, coussinets, boîtier etc.)
- Inspection électrique (interrupteur, cordon, induit etc.)
- Vérification du fonctionnement électromécanique

Nettoyage

Débarrassez les événements des débris et de la poussière. Gardez les poignées de l'outil propres, à sec et exemptes d'huile ou de graisse. Le nettoyage de l'outil doit se faire avec un linge humide et un savon doux. Certains nettoyants tels l'essence, la térébenthine, les diluants à laque ou à peinture, les solvants chlorés, l'ammoniaque et les détergents d'usage domestique qui en contiennent pourraient détériorer le plastique et l'isolation des pièces. Ne laissez jamais de solvants inflammables ou combustibles auprès des outils.

 **AVERTISSEMENT!**

Pour minimiser les risques de blessures, choc électrique et dommage à l'outil, n'immergez jamais l'outil et ne laissez pas de liquide s'y infiltrer.

Réparations

Si votre outil doit être réparé, retournez-le en entier au centre-service le plus près selon la liste apparaissant à la dernière page de ce manuel.

GARANTIE

Chaque produit **MILWAUKEE** porte la garantie d'être exempt de défauts de matériaux ou de fabrication. **MILWAUKEE** réparera ou remplacera tout produit porteur de défauts de matériaux ou de fabrication.

Limites : La présente garantie ne s'applique pas dans les cas suivants : (1) Des réparations ont été effectuées ou tentées par d'autres personnes que des techniciens mandatés par **MILWAUKEE** ou ses centres de service accrédités. (2) Les réparations sont rendues nécessaires par l'usure normale de l'outil. (3) L'outil a été employé abusivement. (4) L'outil a servi à un usage anormal. (5) L'outil a reçu un entretien inadéquat. (6) L'outil a été utilisé après une défaillance partielle. (7) L'outil a été modifié ou employé avec un accessoire incompatible.

Les batteries sont garanties pour un (1) an à compter de la date d'achat. S'il survient un trouble, retournez l'outil au complet port payé à une succursale de service **MILWAUKEE** ou un centre de service **MILWAUKEE** accrédité. Si l'examen de l'outil démontre que le trouble est dû à un défaut de fabrication ou de matériaux, les réparations seront effectuées gratuitement et l'outil vous sera retourné aux frais de **MILWAUKEE**. Nulle autre forme de garantie, écrite ou verbale, n'est autorisée.

LES RÉPARATIONS OU REMPLACEMENTS DÉCRITS CI-DESSUS SONT EXCLUSIFS. **MILWAUKEE** NE SAURAIT, EN AUCUN CAS, ÊTRE TENUE RESPONSABLE DES DOMMAGES INCIDENTS, SPÉCIAUX OU CONSÉCUTIFS, Y COMPRIS LA PERTE DE REVENUS.

LA PRÉSENTE GARANTIE ANNULE ET REMPLACE TOUTE AUTRE GARANTIE, EXPRESSE OU IMPLICITE, DE QUALITÉ MARCHANDE OU D'APTITUDE À UN USAGE OU À UN BUT PARTICULIER.

La présente garantie vous confère des droits juridiques spécifiques. Vous pouvez avoir d'autres droits variant d'un état à l'autre. Dans ces états qui ne permettent pas l'exclusion de garanties implicites ou de limites de dommages incidents ou consécutifs, il se peut que les exclusions ou limites de la présente garantie ne soient pas applicables.

ACCESSOIRES



AVERTISSEMENT!

Pour minimiser les risques de blessures, débranchez toujours l'outil avant d'y installer ou d'en enlever les accessoires. L'emploi d'accessoires autres que ceux qui sont expressément recommandés pour cet outil peut présenter des risques.

Pour une liste complète des accessoires, prière de se reporter au catalogue **MILWAUKEE** Electric Tool. Pour obtenir un catalogue, il suffit de contacter votre distributeur local ou l'un des centres-service énumérés sur la page de couverture de ce manuel.

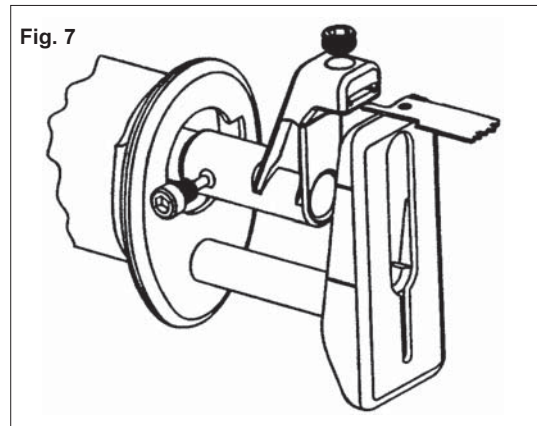
Cordon Quik-Lok®
20 cm (8") Cordon "Quik-Lok®"
No de Cat. 48-76-4008

63 cm (25") Cordon "Quik-Lok®"
No de Cat. 48-76-4025

Adaptateur pour décaler la lame
Modèles spécifiques (Fig. 7)
No de Cat. 48-03-2005

Un adaptateur pour décaler la lame et réussir des coupes rases est disponible. Pour installer l'adaptateur, enlevez la vis de fixation de lame et la fixation. Placez l'adaptateur sur l'axe d'entraînement en prenant soin d'aligner le trou dans le moulage de la pièce sur le trou fileté de l'axe d'entraînement. Remplacez la vis pour fixer l'adaptateur à l'axe. La lame peut ensuite être insérée dans la fixation de l'adaptateur de la même façon qu'elle l'était dans la fixation de l'axe d'entraînement.

Fig. 7



Modèles spécifiques
Fixation de lame
No de Cat. 42-68-0647

Vis de fixation
No de Cat. 06-83-2960

"787" Lames
Fixation de lame
No de Cat. 42-68-0677

Vis de fixation
No de Cat. 06-83-2960

REGLAS GENERALES DE SEGURIDAD



¡ADVERTENCIA!

LEA Y ENTIENDA TODAS LAS INSTRUCCIONES


El no seguir las instrucciones a continuación puede ocasionar una descarga eléctrica, incendio y/o lesiones graves.

GUARDE ESTAS INSTRUCCIONES

AREA DE TRABAJO

1. **Mantenga el área de trabajo limpia e iluminada.** Las mesas de trabajo desordenadas y las áreas con poca iluminación propician los accidentes.
2. **No opere las herramientas con motor en ambientes explosivos, tales como los ambientes con líquidos, gases o polvo inflamables.** Las herramientas con motor producen chispas que pueden inflamar el polvo o los gases.
3. **Mantenga a las personas alejadas mientras esté utilizando una herramienta con motor.** Las distracciones pueden causar la pérdida del control de la herramienta. Proteja a las demás personas en el área de trabajo contra escombros, tales como astillas y chispas. Instale barreras si se necesitan.

SEGURIDAD ELECTRICA

4. **Las herramientas conectadas a tierra deben estar enchufadas en un toma corriente que esté instalado correctamente y conectado a tierra de acuerdo con todos los códigos y ordenanzas vigentes. Nunca retire la clavija de conexión a tierra o modifique el enchufe de ninguna manera. No use enchufes adaptadores. Consulte a un electricista capacitado si tiene dudas para asegurar que el tomacorriente esté correctamente conectado a tierra.** Si las herramientas sufren fallas eléctricas, la conexión a tierra proporciona una trayectoria de baja resistencia para que el usuario no quede expuesto a la electricidad.
5. **Las herramientas con aislamiento doble están equipadas con un enchufe polarizado (una clavija es más ancha que la otra). Hay una sola manera de introducir este enchufe en una toma polarizada. Si el enchufe no se ajusta completamente en la toma, dé vuelta el enchufe. Si el problema persiste, póngase en contacto con un electricista calificado para que instale una toma polarizada. No cambie la toma de ninguna manera. El doble aislamiento  elimina la necesidad de un cable de energía con conexión a tierra con 3 alambres y la de un sistema de suministro de energía con conexión a tierra.**
6. **Evite contacto físico con las superficies conectadas a tierra, tales como tuberías, radiadores, cocinas y refrigeradores.** Existe un riesgo de un choque eléctrico mayor si su cuerpo está expuesto a tierra.
7. **No exponga las herramientas eléctricas a condiciones de lluvia o humedad.** El agua que entra en una herramienta eléctrica aumentará el riesgo de choque eléctrico.
8. **No maltrate el cable. Nunca use el cable para transportar las herramientas ni para sacar el enchufe de la toma eléctrica. Mantenga el cable lejos de calefacción, petróleo, bordes afilados o cualquier parte móvil. Reemplace inmediatamente cualquier cable dañado. Los cables dañados aumentan el riesgo de choque eléctrico.**
9. **Al operar una herramienta eléctrica a la intemperie, use un cordón de extensión para la intemperie marcado "W-A" o "W".** Estos cordones están aprobados para usos exteriores y reducen el riesgo del choque eléctrico.

SEGURIDAD PERSONAL

10. **Esté alerta. Revise su trabajo y use el sentido común. No opere su herramienta cuando esté cansado, distraído o bajo la influencia de drogas, alcohol o medicamentos.** Un momento de descuido cuando operando un herramienta eléctrica puede resultar en lesiones graves.

11. **Utilice ropa adecuada.** No use ropa suelta o joyas. Mantenga el cabello largo, ropa y guantes alejados de las partes móviles.
12. **Evite los arranques accidentales.** Verifique que el interruptor esté apagado antes de enchufar la herramienta. Transportar la herramienta por el gatillo o enchufarla con el interruptor encendido puede ocasionar accidentes.
13. **Saque las llaves de ajuste antes de encender la herramienta.** Una llave sujeta a una parte en movimiento puede causar lesiones.
14. **No se esfuerce, mantenga el control y el balance en todo momento.** Mantenga siempre una postura y un balance adecuados. Una postura y un balance correctos otorga un mejor control ante situaciones inesperadas.
15. **Utilice el equipo de seguridad. Siempre use protección para los ojos.** Se debe usar una máscara contra el polvo, zapatos de seguridad antidelizantes, casco y protector para los oídos, cuando las condiciones así lo requieran.

USO Y MANTENIMIENTO DE LA HERRAMIENTA

16. **Utilice abrazaderas u otra manera práctica para sujetar y apoyar el material en una plataforma estable.** Tener el material en la mano o contra el cuerpo es inestable y puede causar la pérdida del control.
17. **No fuerce la herramienta. Utilice la herramienta apropiada para la aplicación.** La herramienta realizará el trabajo de manera más eficaz y segura, si la opera a la velocidad apropiada.
18. **Si el gatillo no enciende o apaga la herramienta, no utilice la herramienta.** Una herramienta que no se puede controlar con el gatillo es peligrosa y debe ser reparada.
19. **Desconecte el enchufe de la fuente de energía antes de realizar cualquier ajuste, cambiar los accesorios o almacenar la herramienta.** Tales medidas precautorias de seguridad reducen el riesgo de encender la herramienta accidentalmente.
20. **Almacene las herramientas que no se estén usando fuera del alcance de los niños y de personas que no estén capacitadas.** Es peligroso permitir a los usuarios utilizar las herramientas, si no están capacitados previamente.
21. **Mantenga las herramientas en buenas condiciones. Las herramientas cortadoras deben mantenerse afiladas y limpias.** Esto reduce el riesgo de que la herramienta se atasque y facilita el control de la misma. No utilice una herramienta dañada. Colóquela una etiqueta que diga "No Debe Usarse" hasta que sea reparada.
22. **Verifique que las partes en movimiento estén alineadas y no estén atascadas. También debe verificarse que las partes no estén rotas o tengan cualquier otra condición que pueda afectar el funcionamiento de la herramienta. Si está dañada, se debe reparar la herramienta antes de utilizarla.** Muchos accidentes se deben al mantenimiento incorrecto de la herramienta.
23. **Utilice solamente los accesorios recomendados por el fabricante para ese modelo.** Los accesorios que son apropiados para una herramienta pueden aumentar el riesgo de lesiones cuando se usan con otra herramienta.

SERVICIO

24. **El servicio de mantenimiento debe ser realizado solamente por personal técnico debidamente capacitado.** El servicio o mantenimiento realizado por personal no calificado puede aumentar el riesgo de lesiones.





25. Cuando realice el servicio de mantenimiento, utilice solamente repuestos idénticos. Siga las instrucciones en la sección de mantenimiento de este manual. El uso de partes no autorizadas o el incumplimiento de las instrucciones de mantenimiento puede aumentar el riesgo de descarga eléctrica o lesiones.

REGLAS ESPECIFICAS DE SEGURIDAD — SAWZALLS®

1. Al realizar una operación donde la herramienta de corte puede tener contacto con un alambre escondido o su propio cablek tome la herramienta por las superficies aisladas de agarre. El contacto con un alambre "con corriente" hará que las partes ezeitadas.
2. Mantenga las manos alejadas de todos los bordes cortadores y partes en movimiento.
3. Guarde las etiquetas y placas de especificaciones. Estas tienen información importante. Si son ilegibles o si no se pueden encontrar, póngase en contacto con un centro de servicio de MILWAUKEE para una refacción gratis.
4. ¡ADVERTENCIA! Algunas partículas de polvo resultantes del lijado mecánico, aserrado, esmerilado, taladrado y otras actividades relacionadas a la construcción, contienen sustancias químicas que se saben ocasionan cáncer, defectos congénitos u otros daños al aparato reproductivo. A continuación se citan algunos ejemplos de tales sustancias químicas:
 - plomo proveniente de pinturas con base de plomo
 - sílice cristalino proveniente de ladrillos, cemento y otros productos de albañilería y
 - arsénico y cromo provenientes de madera químicamente tratada.

El riesgo que usted sufre debido a la exposición varía dependiendo de la frecuencia con la que usted realiza estas tareas. Para reducir la exposición a estas sustancias químicas: trabaje en un área bien ventilada, y utilice equipo de seguridad aprobado como, por ejemplo, máscaras contra el polvo que hayan sido específicamente diseñadas para filtrar partículas microscópicas.

Simbología

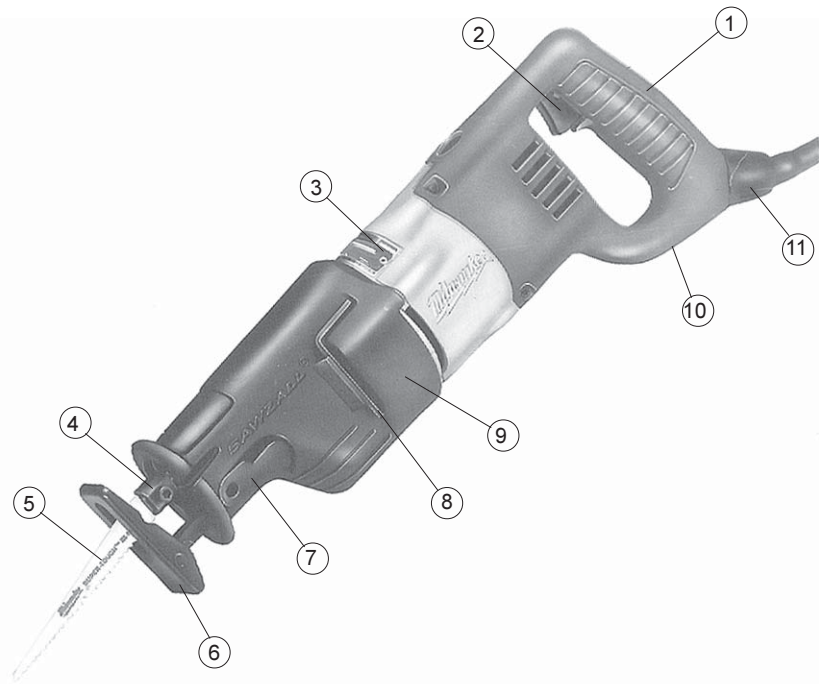
	Con doble aislamiento
	Asociación de Normas Canadiense
	Underwriters Laboratories, Inc.
	Volts de corriente alterna

Especificaciones

Catálogo No.	Volts ca~ Solamente	Largo de Carrera	Carreras por Minuto
6527	120	32 mm (1-1/4")	0-2 800
6527-21	120	32 mm (1-1/4")	0-2 800
6528	120	32 mm (1-1/4")	0-2 800
6537-22	120	32 mm (1-1/4")	0-3 200
6537-75	120	32 mm (1-1/4")	0-3 200

DESCRIPCION FUNCIONAL

1. Empuñadura
2. Gatillo
3. Placa de especificaciones
4. Seguro de la segueta
5. Segueta
6. Zapata ajustable
7. Zapata móvil ajustable
8. Llave hexagonal (modelos específicas)
9. Forro aislante
10. Interruptor de control de velocidad
11. Cable Quik-Lok® (modelos específicas)



TIERRA



¡ADVERTENCIA!

Puede haber riesgo de descarga eléctrica si se conecta el cable de conexión de puesta a tierra incorrectamente. Consulte con un electricista certificado si tiene dudas respecto a la conexión de puesta a tierra del tomacorriente. No modifique el enchufe que se proporciona con la herramienta. Nunca retire la clavija de conexión de puesta a tierra del enchufe. No use la herramienta si el cable o el enchufe está dañado. Si está dañado antes de usarlo, llévelo a un centro de servicio **MILWAUKEE** para que lo reparen. Si el enchufe no se acopla al tomacorriente, haga que un electricista certificado instale un tomacorriente adecuado.

Herramientas con conexión a tierra:

Herramientas con enchufes de tres clavijas

Las herramientas marcadas con la frase "Se requiere conexión de puesta a tierra" tienen un cable de tres hilos y enchufes de conexión de puesta a tierra de tres clavijas. El enchufe debe conectarse a un tomacorriente debidamente conectado a tierra (véase la Figura A). Si la herramienta se averiara o no funcionara correctamente, la conexión de puesta a tierra proporciona un trayecto de baja resistencia para desviar la corriente eléctrica de la trayectoria del usuario, reduciendo de este modo el riesgo de descarga eléctrica.

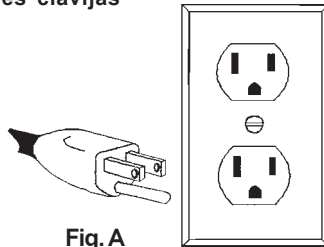


Fig. A

La clavija de conexión de puesta a tierra en el enchufe está conectada al sistema de conexión de puesta a tierra de la herramienta a través del hilo verde dentro del cable. El hilo verde debe ser el único hilo conectado al sistema de conexión de puesta a tierra de la herramienta y nunca se debe unir a una terminal energizada.

Su herramienta debe estar enchufada en un tomacorriente apropiado, correctamente instalado y conectado a tierra según todos los códigos y reglamentos. El enchufe y el tomacorriente deben asemejarse a los de la Figura A.

Herramientas con doble aislamiento:

Herramientas con clavijas de dos patas

Las herramientas marcadas con "Doble aislamiento" no requieren conectarse "a tierra". Estas herramientas tienen un sistema aislante que satisface los estándares de OSHA y llena los estándares aplicables de UL (Underwriters Laboratories, Inc.), de la Asociación Canadiense de Estándares (CSA) y el Código Nacional de Electricidad. Las herramientas con doble aislamiento pueden ser usadas en cualquiera de los toma corriente de 120 Volt mostrados en las Figuras B y C.

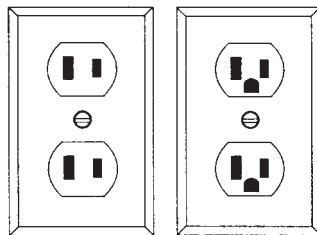


Fig. B

Fig. C

EXTENSIONES ELÉCTRICAS

Las herramientas que deben conectarse a tierra cuentan con clavijas de tres patas y requieren que las extensiones que se utilicen con ellas sean también de tres cables. Las herramientas con doble aislamiento y clavijas de dos patas pueden utilizarse indistintamente con extensiones de dos a tres cables. El calibre de la extensión depende de la distancia que exista entre la toma de la corriente y el sitio donde se utilice la herramienta. El uso de extensiones inadecuadas puede causar serias caídas en el voltaje, resultando en pérdida de potencia y posible daño a la herramienta. La tabla que aquí se ilustra sirve de guía para la adecuada selección de la extensión.

Mientras menor sea el número del calibre del cable, mayor será la capacidad del mismo. Por ejemplo, un cable calibre 14 puede transportar una corriente mayor que un cable calibre 16. Cuando use más de una extensión para lograr el largo deseado, asegúrese que cada una tenga al menos, el mínimo tamaño de cable requerido. Si está usando un cable de extensión para más de una herramienta, sume los amperes de las varias placas y use la suma para determinar el tamaño mínimo del cable de extensión.

Guías para el uso de cables de extensión

- Si está usando un cable de extensión en sitios al aire libre, asegúrese que está marcado con el sufijo "W-A" ("W" en Canadá) el cual indica que puede ser usado al aire libre.
- Asegúrese que su cable de extensión está correctamente cableado y en buenas condiciones eléctricas. Cambie siempre una extensión dañada o hágala reparar por una persona calificada antes de volver a usarla.
- Proteja su extensión eléctrica de objetos cortantes, calor excesivo o áreas mojadas.

Calibre mínimo recomendado para cables de extensiones eléctricas*

Amperios (En la placa)	Largo de cable de Extensión en (m)					
	7,6	15,2	22,8	30,4	45,7	60,9
0 - 5,0	16	16	16	14	12	12
5,1 - 8,0	16	16	14	12	10	--
8,1 - 12,0	14	14	12	10	--	--
12,1 - 15,0	12	12	10	10	--	--
15,1 - 20,0	10	10	10	--	--	--

* Basado en limitar la caída en el voltaje a 5 volts al 150% de los amperes.

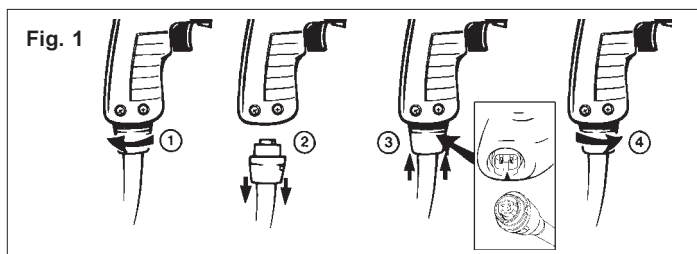
LEA Y GUARDE TODAS LAS INSTRUCCIONES PARA FUTURAS REFERENCIAS.

¡ADVERTENCIA!

Para reducir el riesgo de lesiones, desconecte siempre la herramienta antes de fijar o retirar accesorios, o antes de efectuar ajustes. Utilice sólo los accesorios específicamente recomendados. El uso de otros accesorios puede ser peligroso.

Montaje y desmontaje del cable de cambio rápido Quik-Lok® (Fig. 1) (Modelos específicas)

Para realizar el cambio en forma inmediata en el área de trabajo, los Taladros Magnum de MILWAUKEE cuentan con el exclusivo cable Quik-Lok® de cambio rápido.



1. Para desmontar el cable Quik-Lok®, gire el cable 1/4 de vuelta hacia la izquierda y sepárelo del cuerpo de la unidad.
2. Para montar el cable Quik-Lok®, alinee las marcas en el conector con las del cable y empuje el conector hasta el fondo. Luego gire el cable 1/4 de vuelta hacia la derecha para asegurarlo.

Seleccionando las seguetas

Use seguetas Bi-Metálicas Sawzall® de MILWAUKEE para obtener el mejor rendimiento. Cuando seleccione una sequeta, observe que sea la adecuada y del largo correcto.

Hay muchos tipos de seguetas disponibles para la gran variedad de aplicaciones como: cortar metal, madera, madera con clavos, cortes calados, trozar y contornear.

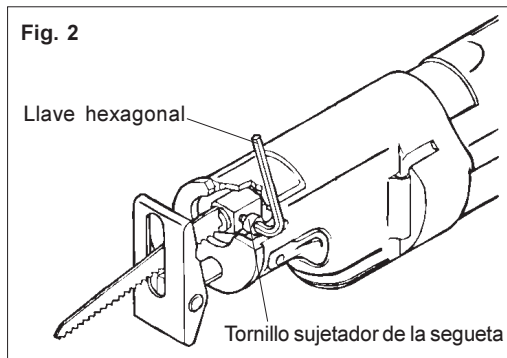
También hay seguetas de muchos largos. Seleccione un largo que sea suficiente para que sobresalga de la zapata y del material a cortar, incluida la carrera. **No use seguetas con un largo menor a 89 mm (3-1/2") ya que no llegarán a cortar mas allá de la zapata.**

Para obtener el mejor rendimiento y la mas larga vida de la sequeta, vea "Accesorios" para seleccionar la mejor sequeta para su trabajo.

Instalar y retirar de las sequeta

Seguro de la sequeta (Fig. 2) (Modelos específicas)

Desenchufe la herramienta antes de cambiar la sequeta. Antes de cambiar la sequeta, asegúrese que la flecha y el área de colocación de la sequeta están limpios. Si hubieran rebabas de metal o aserrín, podrían impedir que la sequeta quedara bien asegurada por el tornillo.



1. Dependiendo del trabajo a realizar, usted podrá colocar la sequeta con los dientes hacia abajo o hacia arriba.

Para instalar la sequeta, afloje el tornillo, girándolo en sentido opuesto a las manecillas de un reloj. Deslice la sequeta hasta que el zanco llegue a la flecha.

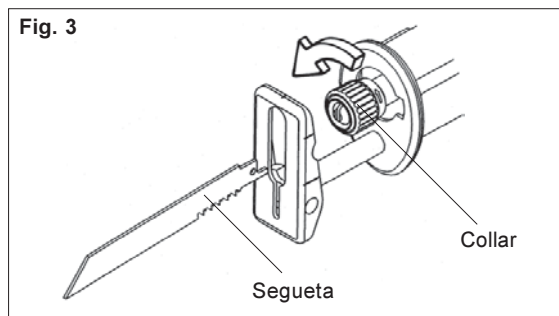
NOTA: La sequeta deberá insertarse por completo en la flecha de forma tal que la espiga de la sequeta recaiga firmemente sobre la abrazadera de la misma.

Inserte la llave hexagonal en el tornillo de la abrazadera de la sequeta y hágalo girar en el sentido de las manecillas del reloj. Apriételo con firmeza.

2. Para retirar la sequeta, insérte la llave hexagonal en el tornillo hexagonal y aflójelo con un giro completo hacia la izquierda, tal como se ilustra. Entonces deslice la sequeta en la flecha. Al manejar seguetas calientes sea cuidadoso.

Modelos de la abrazadera de la sequeta Quik-Lok® (Fig. 3)

Desenchufe la herramienta antes de cambiar la sequeta. Antes de cambiar la sequeta, asegúrese que la flecha y el área de colocación de la sequeta están limpios. Si hubieran rebabas de metal o aserrín, podrían impedir que la abrazadera de la sequeta Quik-Lok® quedara bien asegurada por el tornillo.



1. Dependiendo del trabajo a realizar, usted podrá colocar la sequeta con los dientes hacia abajo o hacia arriba. Para instalar la sequeta, gire el collar en el sentido del símbolo de la flecha mientras inserte la sequeta en la abrazadera hasta que el zanco llegue al collar.
2. Cuando suelte el collar, el mecanismo de resorte sujetará la sequeta firmemente en su lugar.
3. Gire el collar en el sentido contrario de la flecha para asegurarse que la sequeta esté asegurada en la abrazadera.
4. Tire de la sequeta para asegurarse que se ha fijado seguramente en su lugar.
5. Para retirar la sequeta, gire el collar en la dirección del símbolo de la flecha mientras quite la sequeta. Tenga cuidado al manejar seguetas calientes.

Mantenimiento de la abrazadera de la segueta Quik-Lok®

- Periódicamente limpie el polvo y residuos de la abrazadera de la segueta Quik-Lok® con aire comprimido seco.
- Si el collar no gire con facilidad, gire el collar hacia la derecha y hacia la izquierda para sacudir los residuos sueltos.
- Periódicamente lubrique la abrazadera Quik-Lok® con un lubricante seco como el grafito.

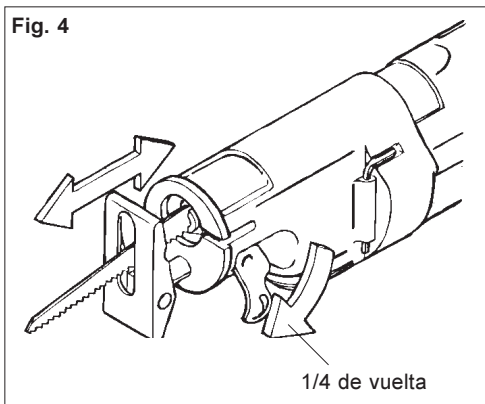
Cómo sacar las seguetas rotas de la abrazadera de la segueta Quik-Lok®

Desenchufe la herramienta antes de quitar las seguetas. Se puede sacar la segueta utilizando los siguientes métodos.

- Apunte la herramienta hacia abajo, gire el collar y sacuda la herramienta hacia arriba y hacia abajo. (NO apague la herramienta mientras los dedos mantengan abierta la abrazadera de la segueta). La varilla de la segueta rota debe desprenderse de la abrazadera.
- Si no surte efecto el sacudir de la herramienta.....
En la mayoría de casos, una parte de la segueta rota se extenderá más allá de la abrazadera. Simplemente gire el collar y tire la segueta rota de la abrazadera por esta esquina.
- Si la segueta rota no se extiende lo suficiente para que usted pueda tomarla, utilice una hoja delgada con dientes pequeños (tal como una hoja para cortar) para enganchar la segueta que está atorada en la abrazadera mientras gira el collar y sáquela de la abrazadera.

Ajuste de la zapata (Fig. 4)

La zapata puede ajustarse en tres posiciones, hacia atrás o adelante, para tomar ventaja y usar todas las porciones no usadas de una segueta, o para trabajos especiales que requieran de usar solo un tramo corto de la segueta.



1. Para ajustar la zapata, jale hacia abajo 1/4 de vuelta el seguro de la misma y deslicela hacia adelante o atrás, a la posición deseada.
2. Para asegurar la zapata en posición, empuje hacia arriba el seguro de la misma.
3. Luego de ajustar la zapata, oprima lentamente el gatillo interruptor para asegurarse que la segueta corre y alcanza en su carrera, mas allá de la zapata y el material a cortar.

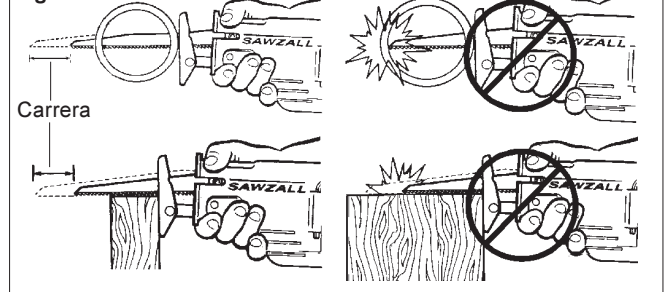
NO UTILICE LA SIERRA SABLE SIN ZAPATA. EL GOLPEAR LA FLECHA CONTRA EL MATERIAL PODRÍA DAÑAR EL MECANISMO.



¡ADVERTENCIA!

Para reducir el riesgo de lesión, asegúrese que la segueta llegará, en su carrera, mas allá de la zapata y del material a cortar. Las seguetas pueden dañarse si se golpean con el material o la zapata (Fig. 5).

Fig. 5





¡ADVERTENCIA!

Para reducir el riesgo de lesiones, use siempre lentes de seguridad o anteojos con protectores laterales. Desconecte la herramienta antes de cambiar algún accesorio o de hacerle algún ajuste.

Mecanismo de protección durante un impacto

Algunos modelos vienen equipados con un sistema de engranaje patentado que proporciona una transmisión de energía eficaz y alarga la vida útil de un accesorio empleado para las aplicaciones de corte más difíciles. Este mecanismo duradero absorbe impactos y movimientos cuando se traba la hoja y se para el motor. Estos modelos se pueden utilizar para aplicaciones de cortes extremas, como por ejemplo, tubos de gran diámetro, metales gruesos, paletas y tareas de demolición y remozamiento pesadas, y también para tareas generales.

Iniciando, frenando y controlando la velocidad

1. Para arrancar la herramienta, sujétela firmemente de la empuñadura y oprima el gatillo.
2. Para detener la herramienta, suelte el gatillo. Permita que la herramienta llegue a detenerse por completo antes de sacarla de un corte parcial o de dejarla sin usar.

Selección del rango de velocidad

Este interruptor controla el máximo de carreras por minuto. La velocidad permanecerá variable e independiente si se controla con el interruptor de gatillo. Refiérase el cuadro para las recomendaciones de velocidades.

Material	El Interruptor*
Acero	2-3
Madera	5
Madera con clavos	5
Acero inoxidable	1-3
Tabla roca	4-5
Fibra de vidrio	1-3
Plásticos	1-3
Hierro forjado	2-3
Metales no ferrosos	2-3

* Esta son solo sugerencias; la velocidad real ideal dependerá de las variaciones en el voltaje, següeta seleccionada y la preferencia del usuario.

Interruptor

Las Sierras Sables (Sawzalls®) de MILWAUKEE están equipados con un interruptor de gatillo para el control de la velocidad. Pueden ser operadas a cualquier velocidad o a máxima velocidad. Siempre encienda la herramienta antes de iniciar el corte del material. Para variar la velocidad, simplemente aumente o reduzca la presión en el gatillo. A mayor presión, mayor velocidad. Para detener la herramienta suelte el gatillo y permita que la herramienta pare completamente antes de retirarla del material cortado.

Cortes en general

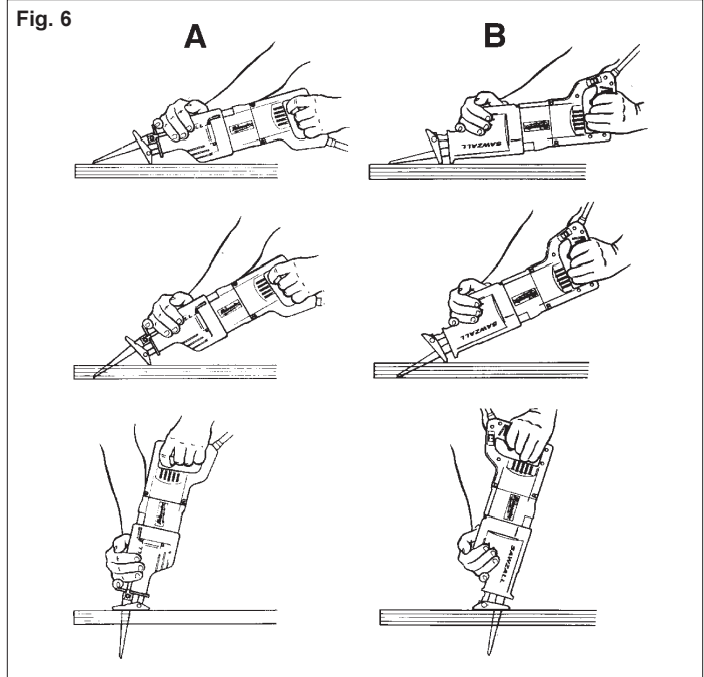
Para cortes rectos o de contornos iniciando desde una orilla, alinee la següeta con su línea de corte. Antes que la següeta haga contacto con el material, empuñela firmemente y oprima el gatillo. Luego guíela por la línea de corte. Mantenga siempre la zapata apoyada completamente contra el material a cortar, así evitará vibraciones excesivas.

Cortes en metal

Inicie el corte a baja velocidad y aumentela gradualmente conforme avanza en el corte. Cuando se corta metales u otros materiales duros que no pueden ser cortados desde una orilla, taladre una perforación de un diámetro que sea mayor a la parte mas ancha de la següeta. Aumente la vida de la següeta usando un lubricante para següetas como el lubricante MILWAUKEE para sierras cintas Catálogo No. 49-08-4206.

Cortes interiores (Fig. 6)

Su sierra sable MILWAUKEE Sawzall® es ideal para cortes interiores directamente en la superficie y que no pueden iniciarse desde una orilla del material, como en el caso de paredes o techos. Los cortes interiores pueden realizarse de dos formas, dependiendo de como se inserte la següeta. La columna A muestra como cortar cuando los dientes de la següeta miran hacia abajo. En la columna B se ilustra como hacer el corte cuando los dientes de la següeta están colocados hacia arriba. No realice este tipo de cortes interiores en superficies metálicas (vea "Cortes en metal").



¡ADVERTENCIA!

Para reducir el riesgo de explosión, descarga eléctrica y daños en otra propiedad, inspeccione siempre el área de trabajo en busca de cables eléctricos ocultos o tuberías, especialmente cuando haga cortes "ciegos" o interiores.

1. Coloque la segueta en la herramienta.

Si colocó la segueta con los dientes hacia abajo, sujete la sierra como se ilustra en la Columna A, descansando el resto de la zapata sobre el material.

Si se colocó la segueta con los dientes hacia arriba, sujete la sierra como se ilustra en la Columna B, descansando el resto de la zapata sobre el material.

2. Con la segueta solo rozando la superficie del material, oprima el gatillo. Usando el extremo de la zapata como pivote, baje la segueta sobre el material como se ilustra.
3. Conforme la segueta empieza a cortar, levante el mango de la sierra hasta que la zapata descansa firmemente en la superficie. Luego guíe la herramienta por la línea de corte deseada para hacer el corte.

NOTA: Para realizar los cortes interiores más fácilmente, use una segueta de calibre grueso e instale la segueta con los dientes hacia arriba como se ilustra en la Columna B.

MANTENIMIENTO



¡ADVERTENCIA!

Para reducir el riesgo de lesiones, desconecte siempre la herramienta antes de darle cualquier mantenimiento. Nunca desarme la herramienta ni trate de hacer modificaciones en el sistema eléctrico de la misma. Acuda siempre a un Centro de Servicio MILWAUKEE para TODAS las reparaciones.

Mantenimiento de las herramientas

Adopte un programa regular de mantenimiento y mantenga su herramienta en buenas condiciones. Antes de usarla, examine las condiciones generales de la misma. Inspeccione guardas, interruptores, el cable de la herramienta y el cable de extensión. Busque tornillos sueltos o flojos, defectos de alineación y dobleces en partes móviles, así como montajes inadecuados, partes rotas y cualquier otra condición que pueda afectar una operación segura. Si detecta ruidos o vibraciones anormales, apague la herramienta de inmediato y corrija el problema antes de volver a usarla. No utilice una herramienta dañada. Colóquela una etiqueta que diga "NO DEBE USARSE" hasta que sea reparada (vea "Reparaciones").

Bajo condiciones normales, no se requiere lubricación hasta que haya que cambiar los carbones. Después de 6 meses a un año, dependiendo del uso dado, envíe su herramienta al Centro de Servicio MILWAUKEE más cercano para que le hagan:

- Lubricación
- Inspección y cambio de carbones
- Inspección mecánica y limpieza (engranes, flechas, baleros, carcarza, etc.)
- Inspección eléctrica (interruptor, cable, armadura, etc.)
- Probarla para asegurar una operación mecánica y eléctrica adecuada.

Limpieza

Limpie el polvo y suciedad de las ventilas. Mantenga las empuñaduras de la herramienta limpias, secas y libres de aceite y grasa. Use sólo jabón neutro y un trapo húmedo para limpiar su herramienta ya que algunas sustancias y disolventes limpiadores pueden ocasionar daños a materiales plásticos y partes aislantes. Algunos de estos incluyen: gasolina, trementina, diluyente para barniz, diluyente para pintura, disolventes limpiadores clorados, amoníaco, y detergentes caseros que contengan amoníaco.



¡ADVERTENCIA!

Para reducir el riesgo de lesiones, descarga eléctrica o daño a la herramienta, nunca la sumerja en líquidos ni permita que estos fluyan dentro de la misma.

Reparaciones

Si se daña o descompone, envíe la herramienta y todos sus accesorios al centro de servicio más cercano de los listados en la cubierta posterior de este manual del operario.

GARANTIA

Se garantiza que todos los productos *MILWAUKEE* están libres de fallas en el material y la mano de obra. *MILWAUKEE* reparará o reemplazará cualquier producto que, luego de una revisión, se encuentre está defectuoso ya sea en el material o en la mano de obra.

Límites: Esta garantía no cubre: 1) reparaciones o intentos realizados por personas ajenas a *MILWAUKEE* o al Taller Autorizado de Servicio *MILWAUKEE*; 2) uso y desgaste normal; 3) abuso; 4) mal uso; 5) mantenimiento inadecuado; 6) uso continuo luego de presentar fallas parciales; 7) herramientas que han sido modificadas; o productos utilizados con un accesorio inadecuado.

Las baterías están garantizadas por un (1) año a partir de la fecha de compra.

En caso de que se presente un problema, favor de regresar el producto completo a cualquier Centro de Servicio de Fábrica *MILWAUKEE* o Taller Autorizado de Servicio *MILWAUKEE*, con flete pagado y asegurado. Si se encontrase que el problema es causado por fallas en el material o la mano de obra, se reparará o reemplazará el producto sin cargo y se le regresará (con flete pagado) a su propietario. No se reconoce ninguna otra garantía ni verbal ni escrita.

NO EXISTE NINGUNA OTRA POSIBILIDAD DE REPARACION Y REEMPLAZO QUE LA DESCRITA EN LA PRESENTE GARANTIA. EN NINGUN CASO *MILWAUKEE* SERA CONSIDERADA RESPONSABLE POR DAÑOS INCIDENTALES, ESPECIALES O CONSECUENTES, INCLUYENDO LA PERDIDA DE GANANCIAS.

ESTA GARANTIA SE CONFIERE EN LUGAR DE TODA OTRA GARANTIA, EXPRESA O IMPLICITA DE COMERCIALIZACION O DE IDONEIDAD PARA UN USO O PROPOSITO EN PARTICULAR.

Esta garantía le otorga derechos legales específicos. Podría tener además otros derechos que varían de estado a estado. En aquellos estados que no permiten la exclusión de garantías implícitas o límites por daños incidentales o consecuentes, los límites o las exclusiones anteriores podrían no aplicar en su caso.

ACCESORIOS



¡ADVERTENCIA!

Para reducir el riesgo de lesiones, desconecte siempre su herramienta antes de colocar o retirar un accesorio. Use solo accesorios recomendados específicamente. Otros pueden ser peligrosos.

Para una lista completa de accesorios, refiérase a su catálogo *MILWAUKEE* Electric Tool. Para obtener un catálogo, contacte su distribuidor local o uno de los centros de servicio listados en la cubierta posterior de este manual del operador.

Cables de cambio rapido (Quik-Lok)

20 cm (8") Quik-Lok®

Cat. No. 48-76-4008

63 cm (25") Quik-Lok®

Cat. No. 48-76-4025

Adaptador lateral de segueta

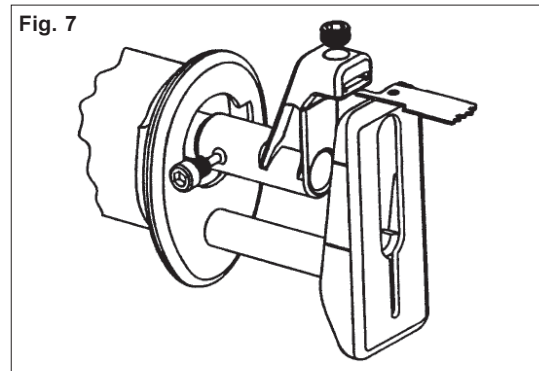
Modelos específicas (Fig. 7)

Cat. No. 48-03-2010

El adaptador lateral para segueta está disponible para cuando se requiere de cortes laterales o cortes a nivel.

Para ensamblarlo en la herramienta, quite el tornillo del seguro de la segueta y el seguro de ésta. Coloque el adaptador sobre la flecha, alinee hacia arriba el orificio en el adaptador con el orificio roscado de la flecha. Reemplace el tornillo, ensamble el adaptador con la flecha. La segueta quedará sujeta firmemente en el adaptador como si estuviera directamente en la flecha.

Fig. 7



Modelos específicas:

Seguro de la segueta

Cat. No. 42-68-0647

Tornillo del seguro de la segueta

Cat. No. 06-83-2960

"787" Seguetas:

Seguro de la segueta





Cat. No. 42-68-0677



Tornillo del seguro de la segueta

Cat. No. 06-83-2960

Super Sawzall Blades
Lames Super Sawzall Bimétalliques
Seguetas Bi-Metálicas Sawzall

Available in 5-per pack, all with 1/2" universal tang.
 Offertes en paquets de 5 lames à tenon universel 13 mm (1/2").
 Presentaciones de 5 seguetas paquete, todas con entrada universal de 13 mm (1/2").

• Cat. No. 5 per pouch	• Cat. No. 2 per pouch	• Teeth Per Inch/25 mm • Dents/25 mm (1 po.) • Dientes x 25 mm (1pulg.)	Length x Width Longueur x Largeur Largo x Ancho Inches / mm	Recommended For Cutting Recommandées Pour Les Coupes Recomendado Para Cortar
 <p>Wood Cutting Blades • Lames à Couper Le Bois • Seguetas Para Cortar Madera For cutting wood, nail-embedded wood, composition materials Coupe de bois, bois cloué, agglomérés Para cortar madera, madera con clavos y materiales compuestos</p>				
48-01-5011 48-01-5012	48-02-5011 48-02-5012	6 6	4 x 3/4 6 x 3/4 102 x 19 152 x 19	<ul style="list-style-type: none"> Fast cutting, all woods, nail-embedded, composition materials. Coupe rapide, tous les bois, bois cloués, agglomérés. Corta rápido, todo tipo de maderas, maderas con clavos y materiales compuestos.
 <p>Wood Cutting Blades • Lames à Couper Le Bois • Seguetas Para Cortar Madera For cutting wood, nail-embedded wood, general roughing-in, all purpose Coupe de bois, bois cloué, dégrossissage général, tout usage Para cortar madera, madera con clavos, cortes en general en bruto</p>				
48-01-5031 48-01-5035 48-01-5036 48-01-5037	48-02-5031 48-02-5035 48-02-5036 48-02-5037	5/8 6 6 6	6 x 3/4 6 x 3/4 9 x 3/4 12 x 3/4 152 x 19 152 x 19 229 x 19 305 x 19	<ul style="list-style-type: none"> Very fast cutting, nail-embedded wood, general roughing-in. Coupe très rapide, bois cloué, dégrossissage. Corta rápido, maderas con clavos y cortes burdos en general.
48-01-5041	48-02-5041	4/6	6 x 1/2 152 x 13	<ul style="list-style-type: none"> Very fast scroll-cutting, circles, contours, nail-embedded wood. Découpage très rapide, cercles, contours, bois cloué. Para cortes calados muy rápidos, círculos, contornos y en madera con clavos.
 <p>Plaster Cutting Blade • Lame à Couper Le Plâtre • Seguetas Para Cortar Materiales Emplastados For cutting plaster with metal lath Coupe de plâtre et lattis métallique Para cortar emplastados con respaldo de metal</p>				
48-01-5052	48-02-5052	6	5 x 3/4 127 x 19	<ul style="list-style-type: none"> Long life, plaster, plaster with metal lath, plasterboard. Cuts on forward & backward stroke. Durabilité, plâtre, plâtre sur latte métallique, placoplâtre. Coupe en allant et venant. De larga duración, cortan emplastados, con respaldo de metal y cartón con emplaste. Cortan hacia adelante y hacia atrás.
 <p>All Purpose Blades • Lames Tout Usage • Seguetas Para Cortes En General For cutting wood, nail-embedded wood, plastics, fiberglass, metals, cast iron Pour coupe de bois, bois cloué, plastique, fibre de verre, métaux et fonte. Para cortar madera, madera con clavos, plasticos, fibra de vidrio, metales y hierro</p>				
48-01-5090 48-01-5092	48-02-5090 48-02-5092	10 10	4 x 3/4 6 x 3/4 102 x 19 152 x 19	<ul style="list-style-type: none"> All woods, nail-embedded, composition material, plastic, non-ferrous metals. Tous les bois, bois cloués, agglomérés, plastique, métaux non ferreux. Todo tipo de madera, madera con clavos, materiales compuestos, plásticos y metales no ferrosos.
48-01-5091 48-01-5093 48-01-5094	48-02-5091 48-02-5093 48-02-5094	8/12 8/12 8/12	6 x 3/4 8 x 3/4 12 x 3/4 152 x 19 203 x 19 305 x 19	<ul style="list-style-type: none"> All woods, nail-embedded wood, composition material, plastic, non-ferrous metals, cast iron. Tout genre de bois, bois cloué, agglomérés, plastiques et métaux non ferreux, fonte. Todo tipo de madera, madera con clavos, materiales compuestos, plásticos, metales no ferrosos y hierro forjado.
48-01-5193 48-01-5194	48-02-5193 48-02-5194	10/14 10/14	8 x 5/8 12 x 5/8 203 x 16 305 x 16	<ul style="list-style-type: none"> All woods, nail-embedded, composition material, plastic, light gauge non-ferrous metals, aluminum. Has 5/8" width for higher flexibility. Tous les bois, bois cloués, agglomérés, plastique, métaux non ferreux légers. Largeur de 16 mm (5/8") pour plus de flexibilité. Todo tipo de madera, madera con clavos, materiales compuestos, plásticos, metales no ferrosos de calibre ligero, aluminio. Tienen un grosor de 16 mm (5/8") para dar una mayor flexibilidad.

• Cat. No. 5 per pouch	• Cat. No. 2 per pouch	• Teeth Per Inch • Dents/25 mm (1po.) • Dientes x 25 mm (1pulg.)	Length x Width Longueur x Largeur Largo x Ancho Inches / mm	• Recommended For Cutting • Recommandées pour les Coupes • Recomendadas para Cortar
 Metal Scroll Cutting Blades • Lame Pour Tailler Et Découper Dans Le Métal • Seguetas Para Calar En Metal For cutting metal, scroll cutting Pour tailler et découper dans le métal Para cortar metal, en cortes calados				
48-01-5161	48-02-5161	10	3-5/8 x 5/16 92 x 8	<ul style="list-style-type: none"> • Scroll cutting wood, contours, nail-embedded wood, plastics. • Découpage et chantournage de bois, bois cloué, plastiques. • Para calar madera, contornos, madera con clavos y plásticos.
48-01-5162	48-02-5162	14	3-5/8 x 5/16 92 x 8	<ul style="list-style-type: none"> • Scroll cutting metal 1/8" thru 3/16". • Découpage du métal - calibre 3 mm à 5 mm (1/8" à 3/16"). • Para calar metal de 3 mm hasta 5 mm (1/8" hasta 3/16").
48-01-5163	48-02-5163	18	3-5/8 x 5/16 92 x 8	<ul style="list-style-type: none"> • Scroll cutting metal under 1/8". • Découpage du métal - calibre inférieur à 3 mm (1/8"). • Para calar metal de menos de 3 mm (1/8").
 Metal Cutting Blades • Lames à Métal • Seguetas Para Cortar Metal For heavy gauge metal, fiberglass Métaux épais, fibre de verre Para metal de calibres gruesos y fibra de vidrio				
48-01-5181 48-01-5182	48-02-5181 48-02-5182	14	4 x 3/4 102 x 19 6 x 3/4 152 x 19	<ul style="list-style-type: none"> • Metal 3/16" thru 1/4", conduit, tubing, channels, pipe, rubber, fiber. • Métal 5 mm à 6 mm (3/16" à 1/4") d'épaisseur incl., conduits, tubulures, canalisations, tuyaux, caoutchouc et fibre. • Metal de 5 mm hasta 6 mm (3/16" hasta 1/4"), conduit, tubo, acanalado, ductos, hule y fibra.
48-01-5282	48-02-5282	14	6 x 5/8 152 x 16	<ul style="list-style-type: none"> • Same as 48-01-5182, but has 5/8" width for higher flexibility. • Pareille au no 48-01-5182, mais d'une largeur de 16 mm (5/8") pour plus de flexibilité. • Mismo que el 48-01-5182, pero tiene un grosor de 16 mm (5/8") para una mayor flexibilidad.
48-01-5187	48-02-5187	14	9 x 3/4 229 x 19	<ul style="list-style-type: none"> • Metal 3/16" thru 1/4", conduit, tubing, channels, pipe, rubber, fiber. • Métal 5 mm à 6 mm (3/16" à 1/4") d'épaisseur incl., conduits, tubulures, canalisations, tuyaux, caoutchouc et fibre. • Metal de 5 mm hasta 6 mm (3/16" hasta 1/4"), conduit, tubo, acanalado, ductos, hule y fibra.
48-01-5183 48-01-5184	48-02-5183 48-02-5184	18 18	4 x 3/4 102 x 19 6 x 3/4 152 x 19	<ul style="list-style-type: none"> • Metal 1/8" thru 3/16", conduit, tubing, channels, pipe. • Métal 3 mm à 5 mm (1/8" à 3/16") d'épaisseur incl., conduits, tubulures, canalisations, tuyaux. • Metal de 3 mm hasta 5 mm (1/8" hasta 3/16"), conduit, tubo, acanalado y ductos.
48-01-5284	48-02-5284	18	6 x 5/8 152 x 16	<ul style="list-style-type: none"> • Same as 48-01-5184, but has 5/8" width for higher flexibility. • Pareille au no 48-01-5184, mais d'une largeur de 16 mm (5/8") pour plus de flexibilité. • Mismo que 48-01-5184, pero tiene un grosor de 16 mm (5/8") para una mayor flexibilidad.
48-01-5188 48-01-5189	48-02-5188 48-02-5189	18 18	9 x 3/4 229 x 19 12 x 3/4 305 x 19	<ul style="list-style-type: none"> • Metal 1/8" thru 3/16", conduit, tubing, channels, pipe. • Métal 3 mm à 5 mm (1/8" à 3/16") d'épaisseur incl., conduits, tubulures, canalisations, tuyaux. • Metal de 3 mm hasta 5 mm (1/8" hasta 3/16"), conduit, tubo, acanalado y ductos.
48-01-5185 48-01-5186	48-02-5185 48-02-5186	24 24	4 x 3/4 102 x 19 6 x 3/4 152 x 19	<ul style="list-style-type: none"> • Metal thinner than 1/8", tubing, pipe, trim. • Métal plus mince que 3 mm (1/8"), tubulures, tuyaux, garnitures. • Metal mas delgado de 3 mm (1/8"), tubo, ductos y trozar.
48-01-5286	48-02-5286	24	6 x 5/8 152 x 16	<ul style="list-style-type: none"> • Same as 48-01-5186, but has 5/8" width for higher flexibility. • Pareille au no 48-01-5186, mais d'une largeur de 16 mm (5/8") pour plus de flexibilité. • Mismo que 48-01-5186, pero con un grosor de 16 mm (5/8") para una mayor flexibilidad.

• Cat. No. 5 per pouch	• Cat. No. 2 per pouch	• Teeth Per Inch /25 mm • Dents/25 mm (1 po.) • Dientes x 25 mm (1pulg.)	Length x Width	• Recommended For Cutting • Recommandées Pour Les Coupes • Recomendado Para Cortar
• No de Cat. 5 par sachet	• No de Cat. 2 par sachet		Longueur x Largeur	
• Cat. No. 5 por sobre	• Cat. No. 2 por sobre		Largo x Ancho Inches / mm	

Ax Baldes • Ax Baldes • Hojas Ax
 Thicker extra wide blades for plunge cutting and demolition work
 Lames extra larges et plus épaisses pour coupes en plongée et travaux de démolition
 Hojas extra anchas y más gruesas para cortes penetrantes y tareas de demolición

48-00-5021	--	5/8	6 x 1	152 x 25	<ul style="list-style-type: none"> Nail embedded wood, roughing in Bois cloué, dégrossissage Madera con clavos, desbaste
48-00-5026	--	5/8	9 x 1	229 x 25	
48-00-5027	--	5/8	12 x 1	305 x 25	

Torch Blades • Torch Blades • Hojas Torch
 Thicker, extra wide blades for metal cutting
 Lames extra larges et plus épaisses pour coupe du métal.
 Hojas extra anchas y más gruesas para cortes de metales

48-00-5712	--	10	6 x 1	152 x 25	<ul style="list-style-type: none"> General purpose, metal over 1/4" Usage général, métaux de plus de 6 mm (1/4"). Para uso general, metales de más de 6 mm (1/4").
48-00-5713	--	10	9 x 1	229 x 25	
48-00-5782	--	14	6 x 1	152 x 25	
48-00-5787	--	14	9 x 1	229 x 25	<ul style="list-style-type: none"> Metal 3/16" thru 1/4", conduit, tubing, channels, pipe, rubber, fiber Métaux de 5 mm à 6 mm (3/16" à 1/4), conduits, tubulures, drains, tuyaux, caoutchouc, fibre. Para metales de 5 mm hasta 6 mm (3/16" hasta 1/4"); tubería para conductores, tuberías, canales, tubos, caucho, fibras
48-00-5784	--	18	6 x 1	152 x 25	<ul style="list-style-type: none"> Metal 1/8" through 3/16" conduit, tubing, channels, pipe Métaux 3 mm à 5 mm (1/8" à 3/16"), conduits, tubulures, drains, tuyaux. Para tubería para conductores, tuberías, canales y tubos metálicos de 3 mm hasta 5 mm (1/8" hasta 3/16").
48-00-5788	--	18	9 x 1	229 x 25	
48-00-5789	--	18	12 x 1	305 x 25	

UNITED STATES

MILWAUKEE Service

To locate the *factory* SERVICE CENTER or authorized service station nearest you, call

1-800-414-6527

TOLL FREE • NATIONWIDE

Monday-Friday • 8:00 AM - 4:30 PM • Local Time

In addition, there is a worldwide network of distributors ready to assist you. Check your "Yellow Pages" under "Tools-Electric" for the names of those nearest you.

For further information on *factory* SERVICE CENTER or authorized service station locations, visit our website at:

www.mil-electric-tool.com

Corporate Product Service Support -
Warranty and Technical Information

Brookfield, Wisconsin USA

1-800-729-3878

CANADA

Service MILWAUKEE

Milwaukee Electric Tool (Canada) Ltd

755 Progress Avenue

Scarborough, Ontario M1H 2W7

Tel. (416) 439-4181

Fax: (416) 439-6210

En outre le réseau de distributeurs est à la disposition de la clientèle d'un océan à l'autre. Consultez les pages jaunes de l'annuaire téléphonique pour l'adresse du centre le plus près de chez vous.

In addition, there is a worldwide network of distributors ready to assist you. Check your "Yellow Pages" under "Tools-Electric" for the names of those nearest you.

MEXICO

Servicios de MILWAUKEE

Milwaukee Electric Tool

División de : Atlas Copco Mexicana S.A. de C.V.

Blvd. Abraham Lincoln no. 13

Colonia Los Reyes Zona Industrial

Tlalneantla, Edo. México C.P. 54073

Tels. 5565-1414 5565-4720

Fax: 5565-0925

Además se cuenta con una red nacional de distribuidores listos para apoyarlo. Vea en las "Páginas Amarillas" sección "Herramientas Eléctricas".

MILWAUKEE ELECTRIC TOOL CORPORATION

A Company within the Atlas Copco Group

13135 West Lisbon Road • Brookfield, Wisconsin, U.S.A. 53005

Free Manuals Download Website

<http://myh66.com>

<http://usermanuals.us>

<http://www.somanuals.com>

<http://www.4manuals.cc>

<http://www.manual-lib.com>

<http://www.404manual.com>

<http://www.luxmanual.com>

<http://aubethermostatmanual.com>

Golf course search by state

<http://golfingnear.com>

Email search by domain

<http://emailbydomain.com>

Auto manuals search

<http://auto.somanuals.com>

TV manuals search

<http://tv.somanuals.com>