



**OPERATOR'S MANUAL
MANUEL de L'UTILISATEUR
MANUAL del OPERADOR**

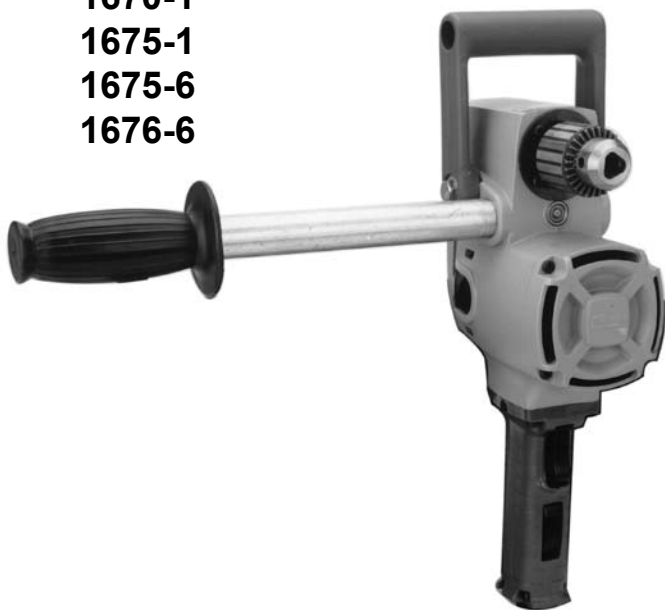
**Catalog No.
No de Cat.
Catálogo No.**

1670-1

1675-1

1675-6

1676-6



HEAVY-DUTY HOLE HAWG®

FOREUSE EXTRA-ROBUSTE HOLE HAWG®

TALADRO HEAVY-DUTY HOLE HAWG®

TO REDUCE THE RISK OF INJURY, USER MUST READ OPERATOR'S MANUAL.

AFIN DE RÉDUIRE LE RISQUE DE BLESSURES, L'UTILISATEUR DOIT LIRE LE MANUEL DE L'UTILISATEUR.

PARA REDUCIR EL RIESGO DE LESIONES, EL USUARIO DEBE LEER EL MANUAL DEL OPERADOR.

GENERAL SAFETY RULES-FOR ALL BATTERY OPERATED TOOLS



WARNING

READ ALL INSTRUCTIONS

Failure to follow all instructions listed below may result in electric shock, fire and/or serious injury. The term "power tool" in all of the warnings listed below refers to your mains-operated (corded) power tool or battery-operated (cordless) power tool.

SAVE THESE INSTRUCTIONS

WORK AREA SAFETY

1. **Keep work area clean and well lit.** Cluttered or dark areas invite accidents.
2. **Do not operate power tools in explosive atmospheres, such as in the presence of flammable liquids, gases, or dust.** Power tools create sparks which may ignite the dust or fumes.
3. **Keep children and bystanders away while operating a power tool.** Distractions can cause you to lose control.

ELECTRICAL SAFETY

4. **Power tool plugs must match the outlet. Never modify the plug in any way. Do not use any adapter plugs with earthed (grounded) power tools.** Unmodified plugs and matching outlets will reduce risk of electric shock.
5. **Avoid body contact with earthed or grounded surfaces such as pipes, radiators, ranges and refrigerators.** There is an increased risk of electric shock if your body is earthed or grounded.
6. **Do not expose power tools to rain or wet conditions.** Water entering a power tool will increase the risk of electric shock.
7. **Do not abuse the cord. Never use the cord for carrying, pulling, or unplugging the power tool. Keep cord away from heat, oil, sharp edges, or moving parts.** Damaged or entangled cords increase the risk of electric shock.
8. **When operating a power tool outdoors, use an extension cord suitable for outdoor use.** Use of a cord suitable for outdoor use reduces the risk of electric shock.

PERSONAL SAFETY

9. **Stay alert, watch what you are doing and use common sense when operating a power tool. Do not use a power tool while you are tired or under the influence of drugs, alcohol or medication.** A moment of inattention while operating power tools may result in serious personal injury.
10. **Use safety equipment. Always wear eye protection.** Safety equipment such as dust mask, non-skid safety shoes, hard hat, or hearing protection used for appropriate conditions will reduce personal injuries.
11. **Avoid accidental starting. Ensure the switch is in the off-position before plugging in.** Carrying tools with your finger on the switch or plugging in power tools that have the switch on invites accidents.
12. **Remove any adjusting key or wrench before turning the power tool on.** A wrench or a key left attached to a rotating part of the power tool may result in personal injury.
13. **Do not overreach. Keep proper footing and balance at all times.** This enables better control of the power tool in unexpected situations.
14. **Dress properly. Do not wear loose clothing or jewellery. Keep your hair, clothing and gloves away from moving parts.** Loose clothes, jewellery, or long hair can be caught in moving parts.
15. **If devices are provided for the connection of dust extraction and collection facilities, ensure these are connected and properly used.** Use of these devices can reduce dust-related hazards.

POWER TOOL USE AND CARE

16. **Do not force the power tool. Use the correct power tool for your application.** The correct power tool will do the job better and safer at the rate for which it was designed.
17. **Do not use the power tool if the switch does not turn it on and off.** Any power tool that cannot be controlled with the switch is dangerous and must be repaired.
18. **Disconnect the plug from the power source and/or the battery pack from the power tool before making any adjustments, changing accessories, or storing power tools.** Such preventive safety measures reduce the risk of starting the tool accidentally.
19. **Store idle power tools out of the reach of children and do not allow persons unfamiliar with the power tools or these instructions to operate power tools.** Power tools are dangerous in the hands of untrained users.
20. **Maintain power tools. Check for misalignment or binding of moving parts, breakage of parts and any other condition that may affect the power tool's operation. If damaged, have the power tool repaired before use.** Many accidents are caused by poorly maintained power tools.
21. **Keep cutting tools sharp and clean.** Properly maintained cutting tools with sharp cutting edges are less likely to bind and are easier to control.
22. **Use the power tool, accessories and tool bits etc., in accordance with these instructions and in the manner intended for the particular type of power tool, taking into account the working conditions and the work to be performed.** Use of the power tool for operations different from those intended could result in a hazardous situation.

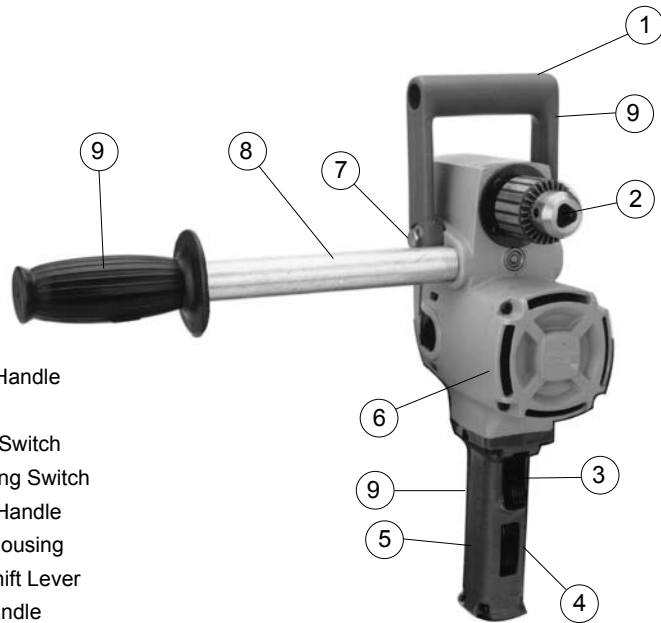
SERVICE

23. **Have your power tool serviced by a qualified repair person using only identical replacement parts.** This will ensure that the safety of the power tool is maintained.

SPECIFIC SAFETY RULES

1. **Use auxiliary handles supplied with the tool.** Loss of control can cause personal injury.
2. **Wear ear protectors with impact drills.** Exposure to noise can cause hearing loss.
3. **Hold power tools by insulated gripping surfaces when performing an operation where the cutting tool may contact hidden wiring or its own cord.** Contact with a "live" wire will make exposed metal parts of the tool "live" and shock the operator.
4. **Maintain labels and nameplates.** These carry important information. If unreadable or missing, contact a MILWAUKEE service facility for a free replacement.
5. **WARNING!** Some dust created by power sanding, sawing, grinding, drilling, and other construction activities contains chemicals known to cause cancer, birth defects or other reproductive harm. Some examples of these chemicals are:
 - lead from lead-based paint
 - crystalline silica from bricks and cement and other masonry products, and
 - arsenic and chromium from chemically-treated lumber.Your risk from these exposures varies, depending on how often you do this type of work. To reduce your exposure to these chemicals: work in a well-ventilated area, and work with approved safety equipment, such as those dust masks that are specifically designed to filter out microscopic particles.

FUNCTIONAL DESCRIPTION



1. Spade Handle
2. Chuck
3. Trigger Switch
4. Reversing Switch
5. Switch Handle
6. Motor Housing
7. Gear Shift Lever
8. Pipe Handle
9. Insulated Gripping Surfaces

Symbology

	Underwriters Laboratories, Inc.
	Canadian Standards Association
	Mexican Approvals Marking
	Volts Alternating Current
n_0 xxxx/min.	No Load Revolutions per Minute (RPM)
A	Amperes

Specifications

Cat. No.	Volts AC	Speed	No Load RPM	Capacity			
				Steel With Twist Bit	Wood With Auger Bit	Wood With Ship Auger Bit	Wood With Selffeed Bit
1670-1	120	-	900	7/16"	1-1/2"	1-1/2"	2-9/16"
1675-1	120	High	1200	5/16"	1-1/8"	1-1/4"	1-3/8"
		Low	300	1/2"	1-1/2"	1-1/2"	4-5/8"
1675-6	120	High	1200	5/16"	1-1/8"	1-1/4"	1-3/8"
		Low	300	1/2"	1-1/2"	1-1/2"	4-5/8"
1676-6	120	High	1200	5/16"	1-1/8"	1-1/4"	1-3/8"
		Low	300	1/2"	1-1/2"	1-1/2"	4-5/8"

GROUNDING



WARNING

Improperly connecting the grounding wire can result in the risk of electric shock. Check with a qualified electrician if you are in doubt as to whether the outlet is properly grounded. Do not modify the plug provided with the tool. Never remove the grounding prong from the plug. Do not use the tool if the cord or plug is damaged. If damaged, have it repaired by a MILWAUKEE service facility before use. If the plug will not fit the outlet, have a proper outlet installed by a qualified electrician.

Grounded Tools: Tools with Three Prong Plugs

Tools marked "Grounding Required" have a three wire cord and three prong grounding plug. The plug must be connected to a properly grounded outlet (See Figure A). If the tool should electrically malfunction or break down, grounding provides a low resistance path to carry electricity away from the user, reducing the risk of electric shock.

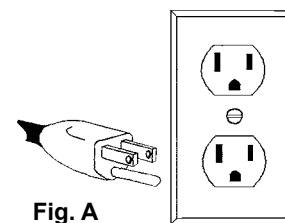


Fig. A

The grounding prong in the plug is connected through the green wire inside the cord to the grounding system in the tool. The green wire in the cord must be the only wire connected to the tool's grounding system and must never be attached to an electrically "live" terminal.

Your tool must be plugged into an appropriate outlet, properly installed and grounded in accordance with all codes and ordinances. The plug and outlet should look like those in Figure A.

Double Insulated Tools: Tools with Two Prong Plugs

Tools marked "Double Insulated" do not require grounding. They have a special double insulation system which satisfies OSHA requirements and complies with the applicable standards of Underwriters Laboratories, Inc., the Canadian Standard Association and the National Electrical Code. Double Insulated tools may be used in either of the 120 volt outlets shown in Figures B and C.

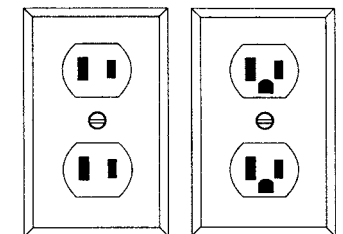


Fig. B

Fig. C

EXTENSION CORDS

Grounded tools require a three wire extension cord. Double insulated tools can use either a two or three wire extension cord. As the distance from the supply outlet increases, you must use a heavier gauge extension cord. Using extension cords with inadequately sized wire causes a serious drop in voltage, resulting in loss of power and possible tool damage. Refer to the table shown to determine the required minimum wire size.

The smaller the gauge number of the wire, the greater the capacity of the cord. For example, a 14 gauge cord can carry a higher current than a 16 gauge cord. When using more than one extension cord to make up the total length, be sure each cord contains at least the minimum wire size required. If you are using one extension cord for more than one tool, add the nameplate amperes and use the sum to determine the required minimum wire size.

Guidelines for Using Extension Cords

- If you are using an extension cord outdoors, be sure it is marked with the suffix "W-A" ("W" in Canada) to indicate that it is acceptable for outdoor use.
- Be sure your extension cord is properly wired and in good electrical condition. Always replace a damaged extension cord or have it repaired by a qualified person before using it.
- Protect your extension cords from sharp objects, excessive heat and damp or wet areas.

Recommended Minimum Wire Gauge for Extension Cords*

Nameplate Amperes	Extension Cord Length				
	25'	50'	75'	100'	150'
0 - 2.0	18	18	18	18	16
2.1 - 3.4	18	18	18	16	14
3.5 - 5.0	18	18	16	14	12
5.1 - 7.0	18	16	14	12	12
7.1 - 12.0	16	14	12	10	
12.1 - 16.0	14	12	10		
16.1 - 20.0	12	10			

* Based on limiting the line voltage drop to five volts at 150% of the rated amperes.

READ AND SAVE ALL INSTRUCTIONS FOR FUTURE USE.

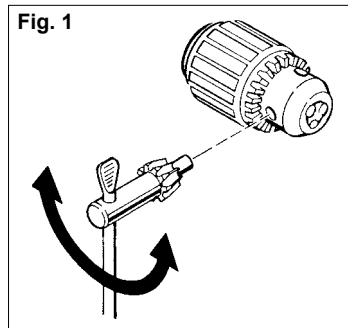
TOOL ASSEMBLY



WARNING

To reduce the risk of injury, always unplug tool before attaching or removing accessories or making adjustments. Use only specifically recommended accessories. Others may be hazardous.

Installing Bits into Keyed Chucks (Fig.1)



1. Unplug tool.
2. Open the chuck jaws wide enough to insert the bit. Be sure the bit shank and chuck jaws are clean. Dirt particles may prevent the bit from lining up properly.
3. Insert the bit into the chuck. Center the bit in the chuck jaws and lift it about 1/16" off of the bottom. Then, tighten the chuck jaws by hand to align the bit.
4. Place the chuck key in each of the three holes in the chuck, turning it clockwise. Tighten securely.
5. To remove the bit, insert the chuck key into one of the holes in the chuck and turn it counterclockwise.

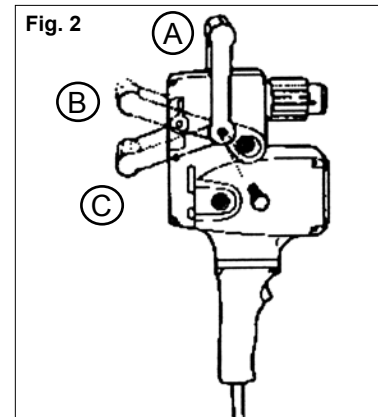
Bit Selection

- Use sharp bits. Sharp bits are less likely to bind when drilling.
- Use the proper bit for the job. There are many types of bits designed for specific purposes. Check the information on the bit's packaging for proper usage.
- Do not use bits larger than the rated capacity of the drill. Gear damage or motor overload may result.

Pipe Handle

The pipe handle may be used on either side of the tool. Thread pipe handle into one of the threaded holes in the motor housing.

Spade Handle (Fig. 2)



The spade handle can be attached to the tool in three positions (Fig. 2). Remove the hex head screws which secure the handle. Remove the handle and move it to the desired position. To mount the handle in position C, it is necessary to reverse the mounting holes by turning the handle around.

OPERATION

WARNING

To reduce the risk of injury, wear safety goggles or glasses with side shields. Unplug the tool before changing accessories or making adjustments.

WARNING

To reduce the risk of personal injury when drilling, always hold tool by the insulated gripping surfaces when performing an operation where the cutting tool may contact hidden wiring or its own cord. Contact with a "live" wire will make exposed metal parts of the tool "live" and shock the operator.

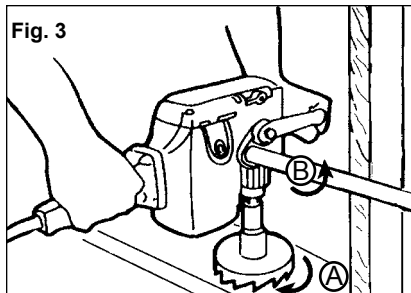
WARNING

When drilling with a single speed drill or in HI with a two speed drill, always hold the drill securely using the pipe handle, or brace the drill against a solid fixed object in preparation for a sudden reaction. When drilling in LO with a two speed drill, always brace the drill against a solid fixed object in preparation for a sudden reaction.

When drilling, never use your body to brace drill.

Never put your hands (or other body parts) between the part of the drill being braced and the object it is being braced against. Hands (or other body parts) that are in the path of the reaction can be pinched, crushed and broken.

Bit binding (Fig. 3)



If the bit binds, the drill will suddenly react in the opposite direction of the rotation of the bit. Figure 3 shows the path of reaction (B) if the drill bit binds while being driven in forward (A). The operator should reduce the chances of a sudden reaction by following the instructions listed below.

The operator should also prepare for a sudden reaction by holding securely using the pipe handle or bracing against a solid fixed object.

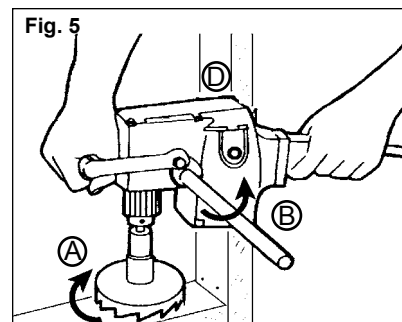
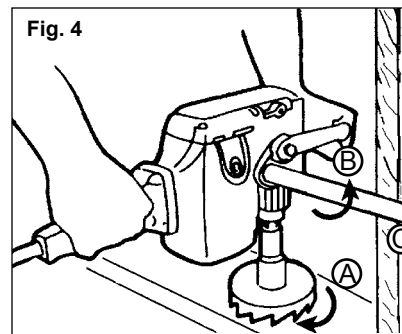
To reduce the chance of bit binding

- Use sharp bits. Sharp bits are less likely to bind when drilling.
- Use the proper bit for the job. There are many types of bits designed for specific purposes.
- Use the proper speed for the size bit. Larger bits should be run at the lower speed. Driving larger bits at high speeds will increase the chance of the bit binding and increase the chance of reaction.
- Avoid drilling warped, wet, knotty, and or pitchy material if possible.
- Avoid drilling in material that you suspect contains hidden nails or other things that may cause the bit to bind.

The direction of reaction is always opposite of the direction of bit rotation.

Reaction is even more likely to occur when enlarging already existing holes and at the point when the bit breaks through the other side of the material.

Bracing for forward rotation



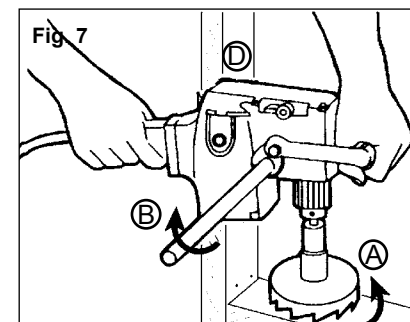
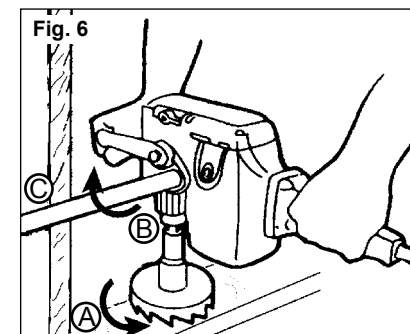
When drilling in forward, the bit will **rotate** in a clockwise direction. If the bit binds in the hole, the bit will come to a sudden stop and drill will suddenly **react** in a counterclockwise direction.

Figures 4 and 5 show examples of a Hole Hawg® properly braced for forward rotation.

- A. Forward (clockwise) rotation
- B. Reaction
- C. Brace drill with pipe handle here
- D. Brace drill with motor housing here

If the bit binds, the pipe handle or the motor housing braced against the stud will hold the drill in position.

Bracing for reverse rotation



When drilling in reverse, the bit will **rotate** in a counterclockwise direction. If the bit binds in the hole, the bit will come to a sudden stop and the drill will suddenly **react** in a clockwise direction.

Figures 6 and 7 show examples of the Hole Hawg® properly braced for reverse rotation.

- A. Reverse (counterclockwise) rotation
- B. Reaction
- C. Brace drill with pipe handle here
- D. Brace drill with motor housing here

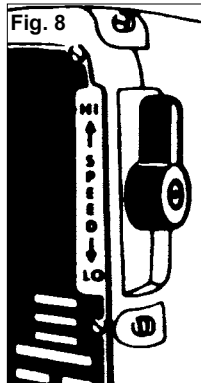
If the bit binds, the pipe handle or the motor housing braced against the stud will hold the drill in position.

Shifting Speeds (Fig. 8)

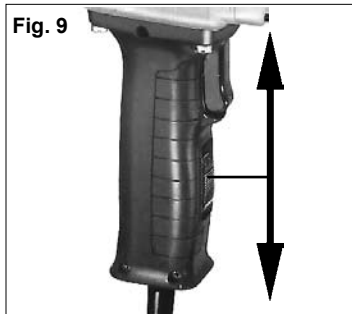
Cat. No. 1675-1 has a gear shift lever on the right side of the gear case.

The high setting (1200 RPM HI) is the low torque setting and is designed for driving Selfeed bits 1-3/8" in diameter and smaller.

The low setting (300 RPM LO) is the high torque setting and is designed for driving Selfeed bits 1-1/2" in diameter and larger.



Reversing (Fig. 9)



A reversing switch is located below the trigger switch for removal of bits from holes. Permit the motor to come to a complete stop before reversing. Reversing the tool with the gears in motion may cause severe damage. When removing selfeed bits from partially drilled holes, a flick of the trigger switch will free the threaded pilot screw. When the threads are loose, lift the bit from the workpiece with the motor stopped.

Drilling

Before drilling, clamp down the material securely. A poorly secured piece of material may result in personal injury or inaccurate drilling. When drilling in light gauge metal or wood, use a wooden block to back up the material to prevent damage to the workpiece.

Mark the center of the hole to be drilled with a center punch to give the bit a start and to prevent it from "walking." Lubricate the drill bit with cutting oil when drilling iron or steel. Use a coolant when drilling nonferrous metals such as copper, brass or aluminum.

To start a selfeed bit, run the threaded feed screw into the work by flicking the trigger switch, permitting the bit to coast until the teeth contact the work surface. Align the bit properly before proceeding. This will reduce cocking and jamming when starting. To reduce jamming on breakthrough, decrease the drilling pressure when the feed screw point breaks through the workpiece. Proceed with steady, even pressure.



WARNING

To reduce the risk of injury, always wear eye protection.

Chuck Removal

To remove the chuck from the drill:

1. Unplug tool.
2. Fully open the chuck jaws
3. Remove the left-handed thread screw from inside the chuck by turning it clockwise.
4. Pull the chuck off of the spindle.

NOTE: If the chuck does not pull off of the spindle easily, tap the side of the chuck with a hammer to loosen it. If this doesn't work, contact a *MILWAUKEE* service center.

MAINTENANCE



WARNING

To reduce the risk of injury, always unplug your tool before performing any maintenance. Never disassemble the tool or try to do any rewiring on the tool's electrical system. Contact a *MILWAUKEE* service facility for ALL repairs.



WARNING

To reduce the risk of injury, electric shock and damage to the tool, never immerse your tool in liquid or allow a liquid to flow inside the tool.

Cleaning

Clean dust and debris from vents. Keep the tool handles clean, dry and free of oil or grease. Use only mild soap and a damp cloth to clean your tool since certain cleaning agents and solvents are harmful to plastics and other insulated parts. Some of these include: gasoline, turpentine, lacquer thinner, paint thinner, chlorinated cleaning solvents, ammonia and household detergents containing ammonia. Never use flammable or combustible solvents around tools.

Repairs

If your tool is damaged, return the entire tool to the nearest service center.

Maintaining Tools

Keep your tool in good repair by adopting a regular maintenance program. Before use, examine the general condition of your tool. Inspect guards, switches, tool cord set and extension cord for damage. Check for loose screws, misalignment, binding of moving parts, improper mounting, broken parts and any other condition that may affect its safe operation. If abnormal noise or vibration occurs, turn the tool off immediately and have the problem corrected before further use. Do not use a damaged tool. Tag damaged tools "DO NOT USE" until repaired (see "Repairs").

Under normal conditions, relubrication is not necessary until the motor brushes need to be replaced. After six months to one year, depending on use, return your tool to the nearest *MILWAUKEE* service facility for the following:

- Lubrication
- Brush inspection and replacement
- Mechanical inspection and cleaning (gears, spindles, bearings, housing, etc.)
- Electrical inspection (switch, cord, armature, etc.)
- Testing to assure proper mechanical and electrical operation

ACCESSORIES



WARNING

To reduce the risk of injury, always unplug the tool before attaching or removing accessories. Use only specifically recommended accessories. Others may be hazardous.

For a complete listing of accessories refer to your MILWAUKEE Electric Tool catalog or go on-line to www.milwaukeeetool.com. To obtain a catalog, contact your local distributor or a service center.

Plastic Carrying Case

Cat. No. 48-55-0111

Type "E" Grease

Cat. No. 49-08-4122

Chuck Key Holder

Cat. No. 48-66-4040

Chuck Key

Cat. No. 48-66-3280

FIVE YEAR TOOL LIMITED WARRANTY

Every MILWAUKEE tool is tested before leaving the factory and is warranted to be free from defects in material and workmanship. MILWAUKEE will repair or replace (at MILWAUKEE's discretion), without charge, any tool (including battery chargers) which examination proves to be defective in material or workmanship from five (5) years after the date of purchase. Return the tool and a copy of the purchase receipt or other proof of purchase to a MILWAUKEE Factory Service/Sales Support Branch location or MILWAUKEE Authorized Service Station, freight prepaid and insured. This warranty does not cover damage from repairs made or attempted by other than MILWAUKEE authorized personnel, abuse, normal wear and tear, lack of maintenance, or accidents.

The warranty period for V28 Battery Packs is two (2) years from the date of purchase. The warranty period for Ni-Cd battery Packs, Flashlights, Radios are warranted for one (1) year from the date of purchase.

THE REPAIR AND REPLACEMENT REMEDIES DESCRIBED HEREIN ARE EXCLUSIVE. IN NO EVENT SHALL MILWAUKEE BE LIABLE FOR ANY INCIDENTAL, SPECIAL, OR CONSEQUENTIAL DAMAGES, INCLUDING LOSS OF PROFITS.

THIS WARRANTY IS EXCLUSIVE AND IN LIEU OF ALL OTHER WARRANTIES, OR CONDITIONS, WRITTEN OR ORAL, EXPRESSED OR IMPLIED FOR MERCHANTABILITY OR FITNESS FOR PARTICULAR USE OR PURPOSE.

This warranty gives you specific legal rights. You may also have other rights that vary from state to state and province to province. In those states that do not allow the exclusion of implied warranties or limitation of incidental or consequential damages, the above limitations or exclusions may not apply to you. This warranty applies to the United States, Canada, and Mexico only.

RÈGLES GÉNÉRALES DE SÉCURITÉ POUR LES OUTILS ALIMENTÉS PAR BATTERIE



AVERTISSEMENT

LIRE SOIGNEUSEMENT TOUTES LES INSTRUCTIONS

Le non respect des instructions ci-après peut entraîner des chocs électriques, des incendies et/ou des blessures graves. Le terme «outil électrique» figurant dans les avertissements ci-dessous renvoie à l'outil électrique à alimentation par le réseau (à cordon) ou par batterie (sans fil).

CONSERVER CES INSTRUCTIONS

SÉCURITÉ DU LIEU DE TRAVAIL

1. **Maintenir la zone de travail propre et bien éclairée.** Les zones encombrées ou mal éclairées sont favorables aux accidents.
2. **Ne pas utiliser d'outil électrique dans une atmosphère explosive, telle qu'en en présence de liquides, de gaz ou de poussières inflammables.** Les outils électriques génèrent des étincelles qui peuvent enflammer les poussières ou les fumées.
3. **Tenir les enfants et les personnes non autorisées à l'écart pendant le fonctionnement d'un outil électrique.** Un manque d'attention de l'opérateur risque de lui faire perdre le contrôle de l'outil.

SÉCURITÉ ÉLECTRIQUE

4. **La fiche de l'outil électrique doit correspondre à la prise d'alimentation. Ne jamais modifier la fiche d'une manière quelconque. Ne pas utiliser d'adaptateur avec les outils électriques mis à la terre (à la masse).** Des fiches non modifiées et des prises d'alimentation assorties réduisent le risque de choc électrique.
5. **Éviter tout contact corporel avec des surfaces reliées à la masse ou à la terre telles que tuyaux, radiateurs, cuisinières et réfrigérateurs.** Un risque de choc électrique plus élevé existe si le corps est relié à la masse ou à la terre.
6. **Ne pas exposer les outils électriques à la pluie ou à l'humidité.** Le risque de choc électrique augmente si de l'eau s'infiltré dans un outil électrique.

7. **Prendre soin du cordon. Ne jamais utiliser le cordon pour transporter, tirer ou débrancher l'outil électrique. Tenir le cordon à l'écart de la chaleur, des huiles, des arêtes coupantes ou des pièces en mouvement.** Un cordon endommagé ou emmêlé présente un risque accru de choc électrique.
8. **Se procurer un cordon d'alimentation approprié en cas d'utilisation d'un outil électrique à l'extérieur.** L'utilisation d'un cordon d'alimentation pour usage extérieur réduit le risque de choc électrique.

SÉCURITÉ INDIVIDUELLE

9. **Être sur ses gardes, être attentif et faire preuve de bon sens en utilisant un outil électrique. Ne pas utiliser un outil électrique en cas de fatigue ou sous l'influence de drogues, d'alcool ou de médicaments.** Un instant d'inattention lors de l'utilisation d'un outil électrique peut entraîner des blessures graves.
10. **Utiliser un équipement de sécurité. Toujours porter des lunettes de protection.** Un équipement de sécurité comprenant masque anti-poussière, chaussures de sécurité anti-dérapantes, casque ou dispositif de protection anti-bruit peut, dans les circonstances appropriées, réduire le risque de blessure.
11. **Éviter tout démarrage accidentel de l'outil. S'assurer que le commutateur est en position OFF (Arrêt) avant de brancher l'outil.** Le port de l'outil avec un doigt sur le commutateur ou son branchement avec le commutateur en position ON (Marche) sont favorables aux accidents.

12. **Retirer toute clé de réglage avant de mettre l'outil sous tension.** Une clé laissée attachée sur une pièce mobile de l'outil électrique peut entraîner des blessures.
13. **Ne pas travailler à bout de bras. Bien garder un bon équilibre à tout instant.** Ceci permet de mieux préserver la maîtrise de l'outil électrique dans des situations imprévues.
14. **Porter des vêtements adéquats. Ne pas porter de vêtements amples ni de bijoux. Ne pas approcher les cheveux, vêtements et gants des pièces en mouvement.** Les vêtements amples, les bijoux ou les cheveux longs risquent d'être happés par les pièces en mouvement.
15. **Si des dispositifs sont prévus pour l'extraction et la récupération des poussières, vérifier qu'ils sont connectés et utilisés correctement.** L'utilisation de ces dispositifs peut réduire les risques liés aux poussières.

UTILISATION ET ENTRETIEN DE L'OUTIL ÉLECTRIQUE






16. **Ne pas forcer l'outil électrique. Utiliser l'outil électrique approprié à l'application considérée.** L'outil électrique adapté au projet considéré produira de meilleurs résultats, dans des conditions de sécurité meilleures, à la vitesse pour laquelle il a été conçu.
17. **Ne pas utiliser l'outil électrique si le commutateur ne le met pas sous ou hors tension.** Tout outil électrique dont le commutateur de marche-arrêt est inopérant est dangereux et doit être réparé.
18. **Débrancher la fiche de la prise d'alimentation et/ou la batterie de l'outil électrique avant d'effectuer des réglages, de changer d'accessoires ou de ranger l'outil.** De telles mesures de sécurité préventive réduisent le risque de mettre l'outil en marche accidentellement.
19. **Ranger les outils électriques inutilisés hors de la portée des enfants et ne pas laisser des personnes qui connaissent mal les outils électriques ou ces instructions utiliser ces outils.** Les outils électriques sont dangereux dans les mains d'utilisateurs non formés à leur usage.

20. **Entretien des outils électriques. S'assurer de l'absence de tout désalignement ou de grippage des pièces mobiles, de toute rupture de pièce ou de toute autre condition qui pourrait affecter le bon fonctionnement de l'outil électrique. En cas de dommages, faire réparer l'outil avant de l'utiliser de nouveau.** Les outils électriques mal entretenus sont à la source de nombreux accidents.
21. **Garder les outils de coupe affûtés et propres.** Les outils de coupe correctement entretenus et bien affûtés risquent moins de se gripper et sont plus faciles à manier.
22. **Utiliser cet outil électrique, les accessoires, les mèches, etc. conformément à ces instructions et de la façon prévue pour ce type particulier d'outil électrique, tout en prenant en compte les conditions de travail et le type de projet considérés.** L'utilisation de cet outil électrique pour un usage autre que l'usage prévu peut créer des situations dangereuses.

ENTRETIEN

23. **Faire effectuer l'entretien de l'outil électrique par un technicien qualifié qui n'utilisera que des pièces de rechange identiques.** La sécurité d'utilisation de l'outil en sera préservée.

Pictographie

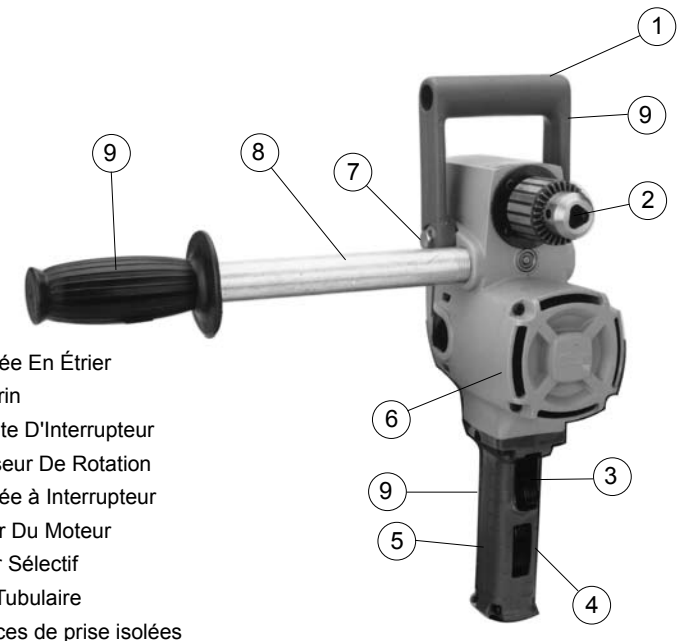
	Underwriters Laboratories, Inc.
	l'Association canadienne de normalisation (ACNOR)
	Inscription mexicaine d'approbation
	Courant alternatif
n_0 xxxx/min.	Tours-minute à vide (RPM)
	Ampères

RÈGLES DE SÉCURITÉ PARTICULIÈRE

1. **Utiliser les poignées auxiliaires fournies avec l'outil.** Une perte de contrôle peut provoquer des blessures.
2. **Porter des protège-oreilles avec un marteau perforateur.** Une exposition au bruit peut provoquer une perte auditive.
3. **Tenir l'outil par les surfaces de prise isolées si, au cours des travaux, l'outil de coupe risque d'entrer en contact avec des fils cachés ou avec son propre cordon.** Le contact avec un fil sous tension met les parties métalliques exposées de l'outil sous tension, ce qui infligera un choc électrique à l'opérateur.
4. **Entretenez les étiquettes et marques de fabricant.** Les indications qu'elles contiennent sont précieuses. Si elles deviennent illisibles ou se détachent, faites-les remplacer gratuitement à un centre de service MILWAUKEE accrédité.
5. **AVERTISSEMENT!** La poussière dégagée par perçage, sclage, perçage et autres travaux de construction contient des substances chimiques reconnues comme pouvant causer le cancer, des malformations congénitales ou d'autres troubles de reproduction. Voici quelques exemples de telles substances :
 - Le plomb contenu dans la peinture au plomb.
 - Le silice cristallin contenu dans la brique, le béton et divers produits de maçonnerie.
 - L'arsenic et le chrome servant au traitement chimique du bois.

Les risques associés à l'exposition à ces substances varient, dépendant de la fréquence des travaux. Afin de minimiser l'exposition à ces substances chimiques, assurez-vous de travailler dans un endroit bien aéré et d'utiliser de l'équipement de sécurité tel un masque antipoussière spécifiquement conçu pour la filtration de particules microscopiques.

DESCRIPTION FONCTIONNELLE



1. Poignée En Étrier
2. Mandrin
3. Détente D'Interrupteur
4. Inverseur De Rotation
5. Poignée à Interrupteur
6. Boîtier Du Moteur
7. Levier Sélectif
8. Bras Tubulaire
9. Surfaces de prise isolées

MISE A LA TERRE



AVERTISSEMENT

Si le fil de mise à la terre est incorrectement raccordé, il peut en résulter des risques de choc électrique. Si vous n'êtes pas certain que la prise dont vous vous servez est correctement mise à la terre, faites-la vérifier par un électricien. N'altérez pas la fiche du cordon de l'outil. N'enlevez pas de la fiche, la dent qui sert à la mise à la terre. N'employez pas l'outil si le cordon ou la fiche sont en mauvais état. Si tel est le cas, faites-les réparer dans un centre-service MILWAUKEE accrédité avant de vous en servir. Si la fiche du cordon ne s'adapte pas à la prise, faites remplacer la prise par un électricien.

Outils mis à la terre : Outils pourvus d'une fiche de cordon à trois dents

Les outils marqués « Mise à la terre requise » sont pourvus d'un cordon à trois fils dont la fiche a trois dents. La fiche du cordon doit être branchée sur une prise correctement mise à la terre (voir Figure A). De cette façon, si une défectuosité dans le circuit électrique de l'outil survient, le relais à la terre fournira un conducteur à faible résistance pour décharger le courant et protéger l'utilisateur contre les risques de choc électrique.

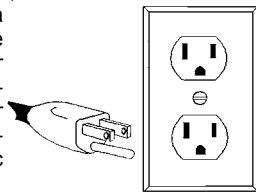


Fig. A

La dent de mise à la terre de la fiche est reliée au système de mise à la terre de l'outil via le fil vert du cordon. Le fil vert du cordon doit être le seul fil raccordé à un bout au système de mise à la terre de l'outil et son autre extrémité ne doit jamais être raccordée à une borne sous tension électrique.

Votre outil doit être branché sur une prise appropriée, correctement installée et mise à la terre conformément aux codes et ordonnances en vigueur. La fiche du cordon et la prise de courant doivent être semblables à celles de la Figure A.

Outils à double isolation : Outils pourvus d'une fiche de cordon à deux dents

Les outils marqués « Double Isolation » n'ont pas besoin d'être raccordés à la terre. Ils sont pourvus d'une double isolation conforme aux exigences de l'OSHA et satisfont aux normes de l'Underwriters Laboratories, Inc., de l'Association canadienne de normalisation (ACNOR) et du « National Electrical Code » (code national de l'électricité). Les outils à double isolation peuvent être branchés sur n'importe laquelle des prises à 120 volt illustrées ci-contre Figure B et C.

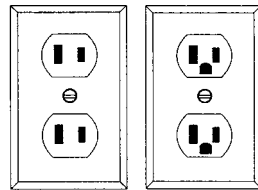


Fig. B

Fig. C

**LISEZ ATTENTIVEMENT CES INSTRUCTIONS ET CONSERVEZ-LES
POUR LES CONSULTER AU BESOIN.**

CORDONS DE RALLONGE

Si l'emploi d'un cordon de rallonge est nécessaire, un cordon à trois fils doit être employé pour les outils mis à la terre. Pour les outils à double isolation, on peut employer indifféremment un cordon de rallonge à deux ou trois fils. Plus la longueur du cordon entre l'outil et la prise de courant est grande, plus le calibre du cordon doit être élevé. L'utilisation d'un cordon de rallonge incorrectement calibré entraîne une chute de voltage résultant en une perte de puissance qui risque de détériorer l'outil. Reportez-vous au tableau ci-contre pour déterminer le calibre minimum du cordon.

Moins le calibre du fil est élevé, plus sa conductivité est bonne. Par exemple, un cordon de calibre 14 a une meilleure conductivité qu'un cordon de calibre 16. Lorsque vous utilisez plus d'une rallonge pour couvrir la distance, assurez-vous que chaque cordon possède le calibre minimum requis. Si vous utilisez un seul cordon pour brancher plusieurs outils, additionnez le chiffre d'intensité (ampères) inscrit sur la fiche signalétique de chaque outil pour obtenir le calibre minimal requis pour le cordon.

Directives pour l'emploi des cordons de rallonge

- Si vous utilisez une rallonge à l'extérieur,

assurez-vous qu'elle est marquée des sigles « W-A » (« W » au Canada) indiquant qu'elle est adéquate pour usage extérieur.

- Assurez-vous que le cordon de rallonge est correctement câblé et en bonne condition. Remplacez tout cordon dérangé détérioré ou faites-le remettre en état par une personne compétente avant de vous en servir.
- Tenez votre cordon de rallonge à l'écart des objets rancissants, des sources de grande chaleur et des endroits humides ou mouillés.

Calibres minimaux recommandés pour les cordons de rallonge*

Fiche signalétique Ampères	Longueur du cordon de rallonge (m)					
	7,6	15,2	22,8	30,4	45,7	60,9
0 - 5,0	16	16	16	14	12	12
5,1 - 8,0	16	16	14	12	10	--
8,1 - 12,0	14	14	12	10	--	--
12,1 - 15,0	12	12	10	10	--	--
15,1 - 20,0	10	10	10	--	--	--

* Basé sur sur une chute de voltage limite de 5 volts à 150% de l'intensité moyenne de courant.

Spécifications

No de Cat.	Volts CA	Vitesse	T/Min. à Vide	Capacité			
				Foret Héli.	Bois		
					Mèche À Bois	Mèche À Bateau	Mèche Tire- Fond
1670-1	120	-	900	11 mm (7/16")	38 mm (1-1/2")	38 mm (1-1/2")	65 mm (2-9/16")
1675-1	120	High	1200	8 mm (5/16")	29 mm (1-1/8")	32 mm (1-1/4")	35 mm (1-3/8")
		Low	300	13 mm (1/2")	38 mm (1-1/2")	38 mm (1-1/2")	117 mm (4-5/8")
1675-6	120	High	1200	8 mm (5/16")	29 mm (1-1/8")	32 mm (1-1/4")	35 mm (1-3/8")
		Low	300	13 mm (1/2")	38 mm (1-1/2")	38 mm (1-1/2")	117 mm (4-5/8")
1676-6	120	High	1200	8 mm (5/16")	29 mm (1-1/8")	32 mm (1-1/4")	35 mm (1-3/8")
		Low	300	13 mm (1/2")	38 mm (1-1/2")	38 mm (1-1/2")	117 mm (4-5/8")

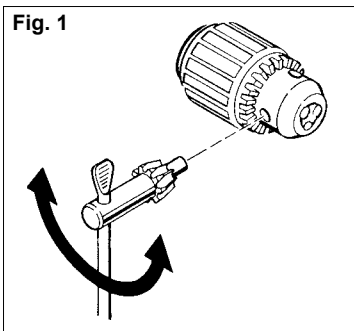
MONTAGE DE L'OUTIL



AVERTISSEMENT

Pour minimiser les risques de blessures, débranchez toujours l'outil avant d'y faire des réglages, d'y attacher ou d'en enlever les accessoires. L'usage d'accessoires autres que ceux qui sont spécifiquement recommandés pour cet outil peut comporter des risques.

Pose des Mèches dans le Mandrin à Clé (Fig. 1)



1. Débranchez l'outil.
2. Écartez les mâchoires du mandrin, assez pour y insérer la mèche. Assurez-vous que la queue de la mèche et les mâchoires du mandrin sont propres car la saleté pourrait nuire à un alignement correct de la mèche.
3. Insérez-la dans le mandrin. Centrez-la entre les mâchoires et retirez-la d'environ 1,6 mm (1/16") du fond du mandrin. Ensuite, serrez les mâchoires à la main pour aligner la mèche.
4. Placez la clé de mandrin dans chacun des trois trous du mandrin, tournez-la en sens horaire, tel qu'indiqué, et serrez à fond.
5. Pour enlever la mèche, insérez la clé de mandrin dans l'un des trous du mandrin et tournez-la en sens inverse-horaire.

Choix des mèches

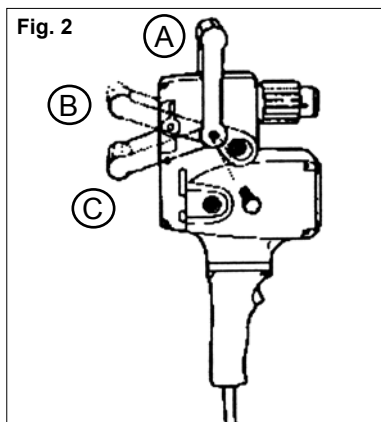
- Employez des mèches bien affûtées, elles ont moins tendance à rester grippées.

- Employez des mèches appropriées à la tâche. Il existe plusieurs genres de mèches conçues pour des tâches spécifiques. Consultez les instructions sur l'emballage pour connaître le bon usage.
- N'employez pas des mèches dont le calibre est plus grand que la capacité de la foreuse, il pourrait en résulter des dommages aux engrenages et une surcharge du moteur (voir "Spécifications").

Bras Tubulaire

Le bras tubulaire peut être installé d'un côté ou de l'autre de l'outil. Vissez le bras tubulaire dans l'un des trous filetés du boîtier du moteur.

Poignée En Étrier (Fig. 2)



La poignée en étrier peut être fixée à l'outil aux trois positions indiquées (Fig. 2). Enlevez les vis à tête hex qui retiennent la poignée. Retirez la poignée et replacez-la à la position désirée. Pour monter la poignée à la position C, il sera nécessaire d'inverser les trous de montage en faisant pivoter la poignée.



AVERTISSEMENT

Pour minimiser les risques de blessures, portez des lunettes à coques latérales. Débranchez l'outil avant de changer les accessoires ou d'effectuer des réglages.



AVERTISSEMENT

Pour réduire le risque de blessures corporelles, lorsque vous utilisez la perceuse pour des travaux où l'outil peut venir en contact avec des fils électriques sous tension, tenez-la toujours par ses surfaces de prise isolées. Le contact de la perceuse avec un fil électrique sous tension à leur tour et constituera un risque de choc électrique pour l'utilisateur.



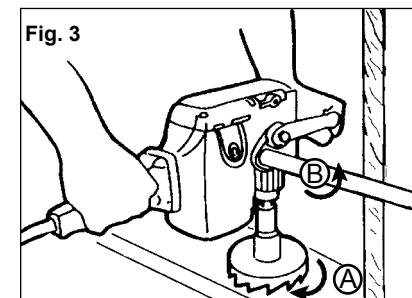
AVERTISSEMENT

Lors du perçage avec une perceuse mono-vitesse ou sur HI (grande vitesse) avec une perceuse à deux vitesses, veiller à tenir fermement la perceuse par le poignée, ou à la caler contre un objet solide fixe pour parer à l'éventualité d'une réaction soudaine. Lors du perçage sur LO (faible vitesse) avec une perceuse à deux vitesses, veiller à caler la perceuse contre un objet solide fixe pour parer à l'éventualité d'une réaction soudaine.

Lorsque vous forez à, ne vous servez pas de votre corps pour étayer la perceuse.

Ne placez jamais vos mains (ou toute autre partie du corps) entre la partie étayée de la foreuse et l'objet contre lequel elle est étayée. Les mains ou les autres parties du corps exposées au mouvement de recul pourraient être pincées, écrasées ou brisées accidentellement.

Grippage de la mèche (Fig. 3)



Si le foret reste coincé, la perceuse va brutalement réagir dans le sens opposé à la rotation. La figure 3 montre le sens de la réaction (B) lorsque le foret tourne en sens horaire (A). L'utilisateur devrait réduire les risques d'un mouvement de recul en suivant les instructions énumérées ci-dessous.

L'opérateur doit également parer à l'éventualité d'une réaction soudaine en s'assurant de tenir fermement l'outil à l'aide du bras en l'attachant à un objet solide fixe.

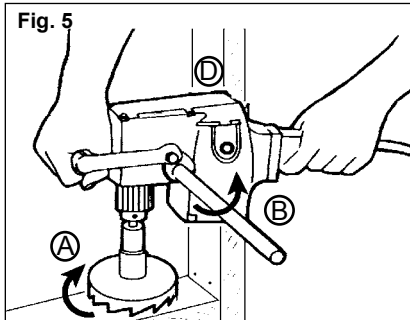
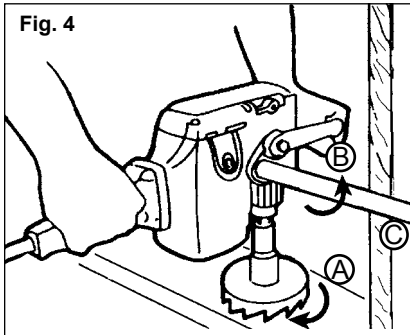
Pour minimiser les risques de grippage

- Employez des mèches bien affûtées, elles ont moins tendance à rester grippées.
- Employez des mèches appropriées à la tâche. Il existe plusieurs genres de mèches conçues pour des tâches spécifiques.
- Drillez à la vitesse appropriée au calibre de la mèche. Les mèches de gros calibre devraient être utilisées à une vitesse plus basse. Lorsque les mèches de gros calibre sont utilisées à haute vitesse, les risques de grippage et de mouvement de recul augmentent.
- Évitez, autant que possible, de driller dans des matériaux gondolés, mouillés, résineux et noueux.
- Évitez de driller dans des matériaux pouvant contenir des clous ou d'autres objets pouvant causer le grippage.

Le mouvement de recul se produit toujours dans le sens opposé à la rotation de la mèche.

Le risque de mouvement de recul est encore plus élevé lorsque le forage consiste à agrandir un trou ou lorsque la mèche traverse le matériau de part en part.

Étayage en rotation avant



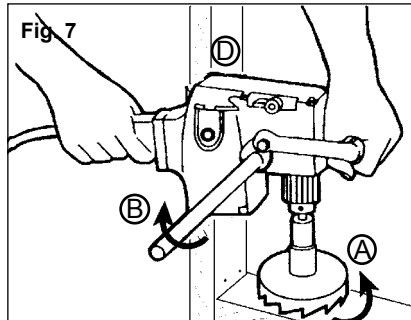
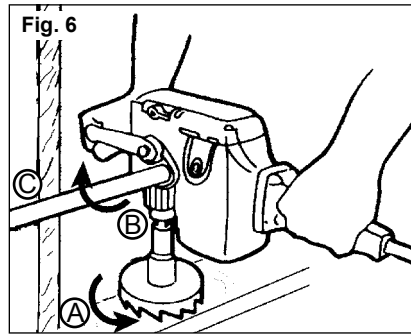
Lorsque vous drillez en rotation avant (sens horaire), si la mèche se coince dans le trou, la foreuse subira un brutal mouvement en sens contraire.

La figure 4 et 5 montre deux exemples d'une foreuse Hole-Hawg® correctement étayée pour la rotation avant.

- A. Rotation avant (sens horaire)
- B. Réaction
- C. Étayez la foreuse en plaçant le bras tubulaire ici.
- D. Étayez la foreuse en plaçant le boîtier du moteur ici.

Si la mèche se coince, le bras tubulaire ou le boîtier du moteur étayés sur un montant maintiendront la foreuse en place.

Étayage en rotation arrière



Lorsque vous drillez en rotation arrière (sens inverse-horaire), si la mèche se coince dans le trou, la foreuse subira un brutal mouvement en sens horaire.

La figure 6 et 7 montre deux exemples d'une foreuse Hole-Hawg® correctement étayée pour la rotation arrière.

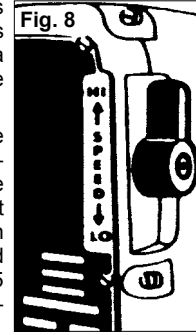
- A. Rotation arrière (sens inverse-horaire)
- B. Réaction
- C. Étayez la foreuse en plaçant le bras tubulaire ici.
- D. Étayez la foreuse en plaçant le boîtier du moteur ici.

Si la mèche se coince, le bras tubulaire ou le boîtier du moteur étayés sur un montant maintiendront la foreuse en place.

Changement de vitesse (Fig. 8)

Les références 1675-1 sont équipées d'un levier sélectif à droite du carter de boîte de vitesses.

Le vitesse élevée (de 1 200 RPM) correspond au réglage de faible couple et convient à l'utilisation des mèches Selfeed d'un diamètre de 35 mm (1-3/8 po) ou inférieur.



Le bas réglage (300 tours-min. LO) est le réglage de couple élevé utilisé pour forer à l'aide de mèches tire-fond de 38 mm (1-1/2 po) de diamètre et plus.

Pour changer de vitesse, arrêtez le moteur et actionnez le levier tandis que la foreuse tourne sur son erre. N'actionnez jamais le levier de changement de vitesse pendant que la foreuse tourne à plein régime, qu'elle est en charge ou qu'elle est arrêtée.

Inversion (Fig. 9)



Pour faciliter le retrait de la mèche d'un trou, un inverseur de rotation est placé sous la commande. Laissez le moteur de la perceuse s'arrêter complètement avant d'inverser la rotation. Actionner l'inverseur de rotation quand les engrenages sont encore en mouvement pourrait causer de graves dommages au mécanisme. Pour retirer la mèche tire-fond d'un trou partiellement foré, une légère pression sur la commande suffira à dévisser la vis tire-fond. Une fois les filets desserrés, enlever la mèche de la pièce à travailler, avec le moteur arrêté.

Forage

Avant de commencer, fixez solidement le matériau à forer. Une pièce mal assujettie peut occasionner des blessures corporelles à l'utilisateur ou nuire à la précision du forage. Pour percer dans les métaux légers ou le bois mince, placez un bloc de bois sous la pièce à percer pour la soutenir et ne pas risquer de l'endommager.

Marquez le centre du trou à percer à l'aide d'un poinçon pour permettre à la mèche d'entamer le matériau et l'empêcher d'errer. Lubrifiez la pointe de la mèche avec de l'huile de coupe pour driller dans le fer ou l'acier. Pour driller dans les métaux non ferreux comme le cuivre, l'aluminium ou le laiton, employez un liquide refroidisseur.

Pour commencer à percer à l'aide d'une mèche tire-fond, faites tourner la mèche à petits coups pour engager la pointe fileté jusqu'à ce que le traçoir ou les dents de la mèche viennent en contact avec la surface à percer. Avant de commencer, assurez-vous de bien aligner la mèche. Cette façon de faire évitera le blocage de départ et facilitera l'engagement de la mèche dans le matériau à percer. Pour éviter que la mèche ne traverse de part en part et reste coincée, diminuez la pression sur la foreuse dès que la pointe fileté apparaît au travers de l'objet. Terminez le perçage en exerçant une pression uniforme et bien contrôlée.

AVERTISSEMENT

Pour minimiser les risques de blessures au yeux, portez toujours des lunettes à coques latérales.

Retrait du mandrin

Pour retirer le mandrin de la perceuse:

1. Débrancher l'outil.
2. Ouvrir complètement les mâchoires du mandrin.
3. Retirer la vis de filetage gauche de l'intérieur du mandrin en tournant dans le sens horaire.
4. Tirer le mandrin du porte-mèche.

REMARQUE: Si le mandrin ne se retire pas facilement du porte-mèche, taper sur le côté du mandrin avec un marteau pour le desserrer. Si cela ne marche pas, contacter un centre d'entretien MILWAUKEE.

MAINTENANCE



AVERTISSEMENT

Pour minimiser les risques de blessures, débranchez toujours l'outil avant d'y effectuer des travaux de maintenance. Ne faites pas vous-même le démontage de l'outil ni le rebobinage du système électrique. Consultez un centre de service **MILWAUKEE** accrédité pour toutes les réparations.

Entretien de l'outil

Gardez l'outil en bon état en adoptant un programme d'entretien ponctuel. Avant de vous en servir, examinez son état en général. Inspectez-en la garde, interrupteur, cordon et cordon de rallonge pour en déceler les défauts. Vérifiez le serrage des vis, l'alignement et le jeu des pièces mobiles, les vices de montage, bris de pièces et toute autre condition pouvant en rendre le fonctionnement dangereux. Si un bruit ou une vibration insolite survient, arrêtez immédiatement l'outil et faites-le vérifier avant de vous en servir de nouveau. N'utilisez pas un outil défectueux. Fixez-y une étiquette marquée « HORS D'USAGE » jusqu'à ce qu'il soit réparé (voir « Réparations »).

Normalement, il ne sera pas nécessaire de lubrifier l'outil avant que le temps ne soit venu de remplacer les balais. Après une période pouvant aller de 6 mois à un an, selon l'usage, retournez votre outil à un centre de service **MILWAUKEE** accrédité pour obtenir les services suivants:

- Lubrification
- Inspection et remplacement des balais
- Inspection et nettoyage de la mécanique (engrenages, pivots, coussinets, boîtier etc.)
- Inspection électrique (interrupteur, cordon, induit etc.)
- Vérification du fonctionnement électromécanique



AVERTISSEMENT

Pour minimiser les risques de blessures, choc électrique et dommage à l'outil, n'immergez jamais l'outil et ne laissez pas de liquide s'y infiltrer.

Nettoyage

Débarassez les événements des débris et de la poussière. Gardez les poignées de l'outil propres, à sec et exemptes d'huile ou de graisse. Le nettoyage de l'outil doit se faire avec un linge humide et un savon doux. Certains nettoyants tels l'essence, la térébenthine, les diluants à laque ou à peinture, les solvants chlorés, l'ammoniaque et les détergents d'usage domestique qui en contiennent pourraient détériorer le plastique et l'isolation des pièces. Ne laissez jamais de solvants inflammables ou combustibles auprès des outils.

Réparations

Si votre outil est endommagé, retournez l'outil entier au centre de maintenance le plus proche.

ACCESSOIRES



AVERTISSEMENT

Pour minimiser les risques de blessures, débranchez toujours l'outil avant d'y installer ou d'en enlever les accessoires. L'emploi d'accessoires autres que ceux qui sont expressément recommandés pour cet outil peut présenter des risques.

Pour une liste complète des accessoires, prière de se reporter au catalogue **MILWAUKEE** Electric Tool ou visiter le site internet www.milwaukeetool.com. Pour obtenir un catalogue, il suffit de contacter votre distributeur local ou l'un des centres-service.

Coffret d'plastique

No de cat. 48-55-0111

Graisse Type "E"

No de cat. 49-08-4122

Porte-clé de Mandrin

No de cat. 48-66-4040

Clé de Mandrin

No de cat. 48-66-3280

GARANTIE LIMITÉE DE L'OUTIL DE CINQ ANS

Tous les outils **MILWAUKEE** sont testés avant de quitter l'usine et sont garantis exempts de vice de matériau ou de fabrication. **MILWAUKEE** réparera ou remplacera (à la discrétion de **MILWAUKEE**), sans frais, tout outil (y compris les chargeurs de batterie) dont l'examen démontre le caractère défectueux du matériau ou de la fabrication dans les cinq (5) ans suivant la date d'achat. Retourner l'outil et une copie de la facture ou de toute autre preuve d'achat à une branche Entretien usine/Assistance des ventes de l'établissement **MILWAUKEE** ou à un centre d'entretien agréé par **MILWAUKEE**, en port payé et assuré. Cette garantie ne couvre pas les dommages causés par les réparations ou les tentatives de réparation par quiconque autre que le personnel agréé par **MILWAUKEE**, les utilisations abusives, l'usure normale, les carences d'entretien ou les accidents.

Le période de garantie pour les batteries V28 est de deux (2) ans à compter de la date d'achat. Le période de garantie pour les batteries Ni-Cd, les lampes de poche, les radios et palans est de un (1) an à partir de la date d'achat.

LES SOLUTIONS DE RÉPARATION ET DE REMPLACEMENT DÉCRITES PAR LES PRÉSENTES SONT EXCLUSIVES. **MILWAUKEE** NE SAURAIT ÊTRE RESPONSABLE, EN AUCUNE CIRCONSTANCE, DES DOMMAGES ACCESSOIRES, SPÉCIAUX OU INDIRECTS, Y COMPRIS LES MANQUES À GAGNER.

CETTE GARANTIE EST EXCLUSIVE ET REMPLACE TOUTES LES AUTRES GARANTIES OU CONDITIONS, ÉCRITES OU ORALES, EXPRESSES OU TACITES DE QUALITÉ MARCHANDE OU D'ADAPTATION À UNE UTILISATION OU UNE FIN PARTICULIÈRE.

Cette garantie vous donne des droits particuliers. Vous pouvez aussi bénéficier d'autres droits variant d'un état à un autre et d'une province à une autre. Dans les états qui n'autorisent pas les exclusions de garantie tacite ou la limitation des dommages accessoires ou indirects, les limitations ou exclusions ci-dessus peuvent ne pas s'appliquer. Cette garantie s'applique aux États-Unis, au Canada et au Mexique uniquement.

REGLAS DE SEGURIDAD GENERALES PARA HERRAMIENTAS OPERADAS POR BATERÍA



ADVERTENCIA

LEA TODAS LAS INSTRUCCIONES

Si no se siguen todas las siguientes instrucciones se puede provocar una descarga eléctrica, un incendio y/o lesiones graves. El término "herramienta eléctrica" en todas las advertencias incluidas más abajo se refiere a su herramienta operada por conexión (cable) a la red eléctrica o por medio de una batería (inalámbrica).

GUARDE ESTAS INSTRUCCIONES

SEGURIDAD EN EL ÁREA DE TRABAJO

1. **Mantenga limpia y bien iluminada el área de trabajo.** Las áreas desordenadas u oscuras contribuyen a que se produzcan accidentes.
2. **No utilice herramientas eléctricas en atmósferas explosivas, como en la presencia de líquidos, gases o polvo inflamables.** Las herramientas eléctricas crean chispas que pueden incendiar el polvo o las emanaciones.
3. **Mantenga a los niños y otras personas alejadas mientras utiliza una herramienta eléctrica.** Las distracciones pueden hacerle perder el control.

SEGURIDAD ELÉCTRICA

4. **Los enchufes de las herramientas eléctricas deben ser del mismo tipo que el tomacorrientes. Nunca realice ningún tipo de modificación en el enchufe. No use enchufes adaptadores con herramientas eléctricas con conexión a tierra.** Se reducirá el riesgo de descarga eléctrica si no se modifican los enchufes y los tomacorrientes son del mismo tipo.
5. **Evite el contacto corporal con superficies con conexión a tierra, como tuberías, radiadores, estufas y refrigeradores.** El riesgo de descarga eléctrica aumenta si su cuerpo está conectado a tierra.
6. **No exponga la herramientas eléctricas a la lluvia o a condiciones de humedad.** El agua que entra en una herramienta eléctrica aumenta el riesgo de descarga eléctrica.

7. **No abuse del cable. Nunca use el cable para transportar la herramienta eléctrica, tirar de ella o desenchufarla. Mantenga el cable alejado del calor, los bordes afilados o las piezas en movimiento.** Los cables dañados o enmarañados aumentan el riesgo de descarga eléctrica.
8. **Cuando se utiliza una herramienta eléctrica en el exterior, use una extensión que sea apropiada para uso en el exterior.** El uso de un cable apropiado para el exterior reduce el riesgo de descarga eléctrica.

SEGURIDAD PERSONAL

9. **Manténgase alerta, ponga cuidado a lo que está haciendo y use el sentido común cuando utilice una herramienta eléctrica. No use una herramienta eléctrica cuando está cansado o bajo la influencia de drogas, alcohol o medicinas.** Despijarse un minuto cuando se utiliza una herramienta eléctrica puede tener como resultado lesiones personales graves.
10. **Use equipo de seguridad. Lleve siempre protección ocular.** Llevar equipo de seguridad apropiado para la situación, como una máscara antipolvo, zapatos de seguridad antideslizantes casco o protección auditiva, reducir á las lesiones personales.
11. **Evite los arranques accidentales. Asegúrese de que el interruptor esté en la posición de apagado antes de enchufar la herramienta.** Mover herramientas con el dedo en el interruptor o enchufar herramientas con el interruptor en la posición de encendido contribuye a que se produzcan accidentes.

12. **Quite todas las llaves de ajuste antes de encender la herramienta.** Una llave que esté acoplada a una pieza giratoria de la herramienta puede provocar lesiones personales.
13. **No se estire demasiado. Mantenga los pies bien asentados y el equilibrio en todo momento.** Esto permite tener mejor control de la herramienta eléctrica en situaciones inesperadas.
14. **Vístase de manera apropiada. No lleve ropa suelta ni joyas. Mantenga el cabello, la ropa y los guantes lejos de la piezas en movimiento.** La ropa floja, las joyas o el cabello largo pueden quedar atrapados en las piezas en movimiento.
15. **Si se proporcionan dispositivos para la conexión de sistemas de recolección y extracción de polvo, asegúrese de que estén conectados y se usen apropiadamente.** El uso de estos dispositivos puede reducir los peligros relacionados con el polvo.

USO Y CUIDADO DE LAS HERRAMIENTAS ELÉCTRICAS

16. **No fuerce la herramienta eléctrica. Use la herramienta eléctrica correcta para la aplicación.** La herramienta eléctrica correcta funcionará mejor y de manera más segura a la velocidad para la que se diseñó.
17. **No use la herramienta eléctrica si el interruptor no la enciende ni la apaga.** Cualquier herramienta eléctrica que no se pueda controlar con el interruptor es peligrosa y se debe reparar.
18. **Desconecte el enchufe de la toma de alimentación y/o la batería de la herramienta eléctrica antes de realizar cualquier ajuste, cambiar accesorios o almacenar las herramientas eléctricas.** Dichas medidas preventivas de seguridad reducen el riesgo de que la herramienta se prenda accidentalmente.
19. **Almacene las herramientas eléctricas fuera del alcance de los niños y no permita que personas no familiarizadas con ellas o estas instrucciones las utilicen.** Las herramientas eléctricas son peligrosas en las manos de usuarios no capacitados.

20. **Mantenimiento de las herramientas eléctricas. Revise que no haya piezas móviles que estén desalineadas o que se atasquen, piezas rotas ni ninguna otra condición que pueda afectar el funcionamiento de la herramienta eléctrica. Si se encuentran daños, haga que le reparen la herramienta antes de usarla.** Las herramientas mal mantenidas son la causa de muchos accidentes.
21. **Mantenga las herramientas de corte limpias y afiladas.** Es menos probable que se atasquen las herramientas de corte con filos afilados que se mantienen de manera apropiada y también son más fáciles de controlar.
22. **Use la herramienta eléctrica, los accesorios y las brocas, etc. siguiendo estas instrucciones y de la manera para la que dicha herramienta eléctrica en particular fue diseñada, teniendo en cuenta las condiciones de trabajo y la tarea que se va a realizar.** El uso de la herramienta eléctrica para operaciones diferentes de aquellas para las que se diseñó podría resultar en una situación peligrosa.

MANTENIMIENTO

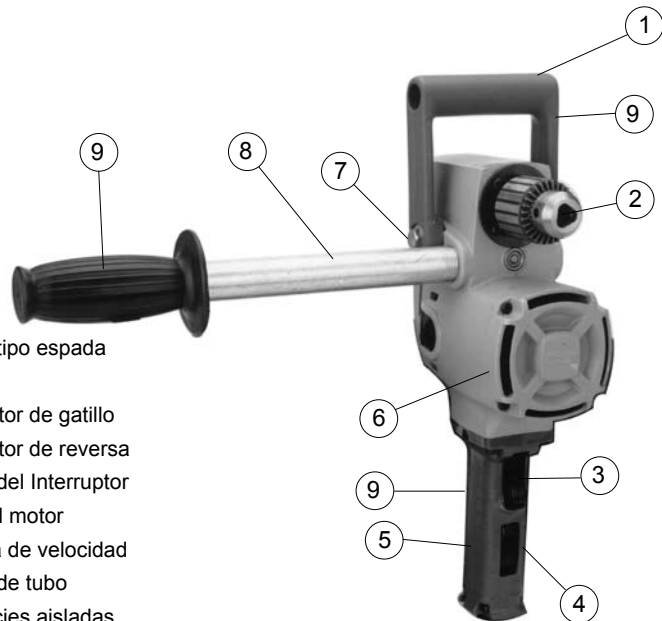
23. **Haga que un técnico calificado realice el mantenimiento de la herramienta eléctrica utilizando solamente piezas de repuesto idénticas.** Esto asegurará que se mantiene la seguridad de la herramienta eléctrica.

REGLAS ESPECIFICAS DE SEGURIDAD

1. **Use los asideros auxiliares que se suministran con la herramienta.** La pérdida de control puede provocar lesiones personales.
2. **Lleve protectores auditivos cuando use la broca de impacto.** La exposición a ruido puede producir la pérdida de la audición.
3. **Agarre la herramienta por los asideros aislados cuando realice una operación en la que la herramienta de corte pueda entrar en contacto con cables ocultos o con su propio cable.** El contacto con un cable "con corriente" hará que las partes de metal expuesto de la herramienta pasen la corriente y produzcan una descarga al operador.
4. **Guarde las etiquetas y placas de especificaciones.** Estas tienen información importante. Si son ilegibles o si no se pueden encontrar, póngase en contacto con un centro de servicio de **MILWAUKEE** para una refacción gratis.
5. **¡ADVERTENCIA!** Algunas partículas de polvo resultantes del lijado mecánico, aserrado, esmerilado, taladrado y otras actividades relacionadas a la construcción, contienen sustancias químicas que se saben ocasionan cáncer, defectos congénitos u otros daños al aparato reproductivo. A continuación se citan algunos ejemplos de tales sustancias químicas:
 - plomo proveniente de pinturas con base de plomo
 - sílice cristalino proveniente de ladrillos, cemento y otros productos de albañilería y
 - arsénico y cromo provenientes de madera químicamente tratada.

El riesgo que usted sufre debido a la exposición varía dependiendo de la frecuencia con la que usted realiza estas tareas. Para reducir la exposición a estas sustancias químicas: trabaje en un área bien ventilada, y utilice equipo de seguridad aprobado como, por ejemplo, máscaras contra el polvo que hayan sido específicamente diseñadas para filtrar partículas microscópicas.

DESCRIPCION FUNCIONAL



1. Mango tipo espada
2. Mandril
3. Interruptor de gatillo
4. Interruptor de reversa
5. Mango del Interruptor
6. Caja del motor
7. Palanca de velocidad
8. Mango de tubo
9. Superficies aisladas

TIERRA



ADVERTENCIA

Puede haber riesgo de descarga eléctrica si se conecta el cable de conexión de puesta a tierra incorrectamente. Consulte con un electricista certificado si tiene dudas respecto a la conexión de puesta a tierra del tomacorriente. No modifique el enchufe que se proporciona con la herramienta. Nunca retire la clavija de conexión de puesta a tierra del enchufe. No use la herramienta si el cable o el enchufe está dañado. Si está dañado antes de usarlo, llévelo a un centro de servicio **MILWAUKEE** para que lo reparen. Si el enchufe no se acopla al tomacorriente, haga que un electricista certificado instale un toma-corriente adecuado.

Herramientas con conexión a tierra: Herramientas con enchufes de tres clavijas

Las herramientas marcadas con la frase "Se requiere conexión de puesta a tierra" tienen un cable de tres hilo y enchufes de conexión de puesta a tierra de tres clavijas. El enchufe debe conectarse a un tomacorriente debidamente conectado a tierra (véase la Figura A). Si la herramienta se averiara o no funcionara correctamente, la conexión de puesta a tierra proporciona un trayecto de baja resistencia para desviar la corriente eléctrica de la trayectoria del usuario, reduciendo de este modo el riesgo de descarga eléctrica.

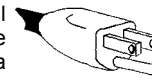
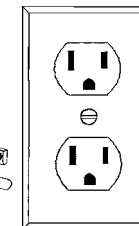


Fig. A



La clavija de conexión de puesta a tierra en el enchufe está conectada al sistema de conexión de puesta a tierra de la herramienta a través del hilo verde dentro del cable. El hilo verde debe ser el único hilo conectado al sistema de conexión de puesta a tierra de la herramienta y nunca se debe unir a una terminal energizada.

Su herramienta debe estar enchufada en un tomacorriente apropiado, correctamente instalado y conectado a tierra según todos los códigos y reglamentos. El enchufe y el tomacorriente deben asemejarse a los de la Figura A.

Herramientas con doble aislamiento: Herramientas con clavijas de dos patas

Las herramientas marcadas con "Doble aislamiento" no requieren conectarse "a tierra". Estas herramientas tienen un sistema aislante que satisface los estándares de OSHA y llena los estándares aplicables de UL (Underwriters Laboratories), de la Asociación Canadiense de Estándares (CSA) y el Código Nacional de Electricidad. Las herramientas con doble aislamiento pueden ser usadas en cualquiera de los toma corriente de 120 Volt mostrados en las Figuras B y C.

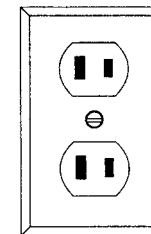


Fig. B

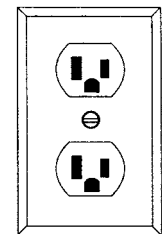


Fig. C

LEA Y GUARDE TODAS LAS INSTRUCCIONES PARA FUTURAS REFERENCIAS.

Simbología

	Underwriters Laboratories, Inc.	$V \sim$	Volts de corriente alterna
	Canadian Standards Association	$n_0 \text{xxxx} / \text{min.}$	Revoluciones por minuto sin carga (rpm)
	Marca mejicana de la aprobación	A	Amperios

EXTENSIONES ELECTRICAS

Las herramientas que deben conectarse a tierra cuentan con clavijas de tres patas y requieren que las extensiones que se utilicen con ellas sean también de tres cables. Las herramientas con doble aislamiento y clavijas de dos patas pueden utilizarse indistintamente con extensiones de dos a tres cables. El calibre de la extensión depende de la distancia que exista entre la toma de la corriente y el sitio donde se utilice la herramienta. El uso de extensiones inadecuadas puede causar serias caídas en el voltaje, resultando en pérdida de potencia y posible daño a la herramienta. La tabla que aquí se ilustra sirve de guía para la adecuada selección de la extensión.

Mientras menor sea el número del calibre del cable, mayor será la capacidad del mismo. Por ejemplo, un cable calibre 14 puede transportar una corriente mayor que un cable calibre 16. Cuando use más de una extensión para lograr el largo deseado, asegúrese que cada una tenga al menos, el mínimo tamaño de cable requerido. Si está usando un cable de extensión para más de una herramienta, sume los amperes de las varias placas y use la suma para determinar el tamaño mínimo del cable de extensión.

Guías para el uso de cables de extensión

- Si está usando un cable de extensión en sitios al aire libre, asegúrese que está marcado con el sufijo "W-A" ("W" en Canadá) el cual indica que puede ser usado al aire libre.
- Asegúrese que su cable de extensión está correctamente cableado y en buenas condiciones eléctricas. Cambie siempre una extensión dañada o hágala reparar por una persona calificada antes de volver a usarla.
- Proteja su extensión eléctrica de objetos cortantes, calor excesivo o áreas mojadas.

Calibre mínimo recomendado para cables de extensiones eléctricas*

Amperios (En la placa)	Largo de cable de Extensión en (m)					
	7,6	15,2	22,8	30,4	45,7	60,9
0 - 5,0	16	16	16	14	12	12
5,1 - 8,0	16	16	14	12	10	--
8,1 - 12,0	14	14	12	10	--	--
12,1 - 15,0	12	12	10	10	--	--
15,1 - 20,0	10	10	10	--	--	--

* Basado en limitar la caída en el voltaje a 5 volts al 150% de los amperios.

Especificaciones

Cat. No.	Volts ca	Velocidad	RPM sin carga	Capacidad			
				Acero	Madera		
					Brocas conv.	Brocas de Husillo	Brocas de Husillo Largas
1670-1	120	High	900	11 mm (7/16")	38 mm (1-1/2")	38 mm (1-1/2")	65 mm (2-9/16")
1675-1	120	High	1200	8 mm (5/16")	29 mm (1-1/8")	32 mm (1-1/4")	35 mm (1-3/8")
		Low	300	13 mm (1/2")	38 mm (1-1/2")	38 mm (1-1/2")	117 mm (4-5/8")
1675-6	120	High	1200	8 mm (5/16")	29 mm (1-1/8")	32 mm (1-1/4")	35 mm (1-3/8")
		Low	300	13 mm (1/2")	38 mm (1-1/2")	38 mm (1-1/2")	117 mm (4-5/8")
1676-6	120	High	1200	8 mm (5/16")	29 mm (1-1/8")	32 mm (1-1/4")	35 mm (1-3/8")
		Low	300	13 mm (1/2")	38 mm (1-1/2")	38 mm (1-1/2")	117 mm (4-5/8")

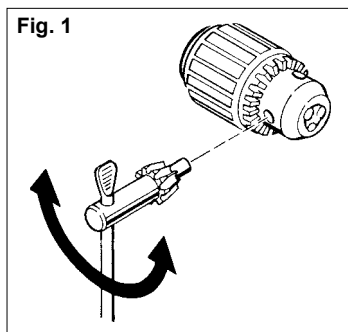
ENSAMBLAJE DE LA HERRAMIENTA



ADVERTENCIA

Para reducir el riesgo de una lesión, desconecte siempre la herramienta antes de fijar o retirar accesorios, o antes de efectuar ajustes. Utilice sólo los accesorios específicamente recomendados. El uso de otros accesorios puede ser peligroso.

Instalación de las Brocas (Fig.1)



1. Desconecte la herramienta.
2. Abra las uñas del broquero lo suficiente para insertar la broca. Asegúrese que el zanco de la misma y las uñas del broquero están limpios, ya que si hay partículas de suciedad, estas pueden evitar que la broca quede alineada correctamente.
3. Inserte la broca dentro del broquero. Centre la broca en las uñas del broquero y levántela aproximadamente 1,6 mm (1/16") por sobre el fondo del broquero. Luego apriete las uñas a mano para alinear la broca.
4. Apriete con la llave cada uno de los tres agujeros del mandril, en sentido de un reloj. Apriete firmemente.
5. Para quitar la punta, inserte la llave del broquero en uno de los agujeros del mismo y gírela en sentido opuesto a un reloj.

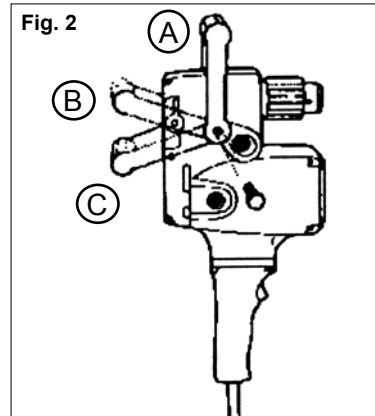
Selección de brocas

- Use brocas afiladas. Es menos probable que las brocas afiladas se atasquen cuando se taladra.
- Use la broca apropiada para el trabajo. Hay muchos tipos de brocas diseñadas para propósitos específicos. Verifique la información en el paquete de la broca para obtener el uso apropiado.
- El usar las brocas más grandes a velocidades altas aumentará la posibilidad del atasco de la broca y aumentará la posibilidad de una reacción (véase "Especificaciones").

Mango de tubo

El mango de tubo puede ser utilizado en cualquier lado de la herramienta. Atornille el mango de tubo en uno de los agujeros en la carcasa del motor.

Mango tipo espada (Fig. 2)



Se puede conectar el mango de laya en las tres posiciones mostradas (Fig. 2). Quite los tornillos con cabezas hexagonales que aseguran el mango. Quite el mango y muévalo a la posición deseada. Para montar el mango en la posición C, es necesario invertir las perforaciones de montaje, dando vuelta al mango.

OPERACION

ADVERTENCIA

Para reducir el riesgo de una lesión, use siempre lentes de seguridad o anteojos con protectores laterales. Desconecte la herramienta antes de cambiar algún accesorio o de hacerle algún ajuste.

ADVERTENCIA

Para reducir el riesgo de daños personales cuando perfore, siempre agarre la herramienta por las superficies aisladas cuando realiza una operación donde la herramienta cortadora puede contactar alambres que no se pueden ver o su propio cordón. Contactar un alambre con corriente hará que las partes metálicas expuestas de la herramienta tengan un corrientes y dará una descarga al operador.

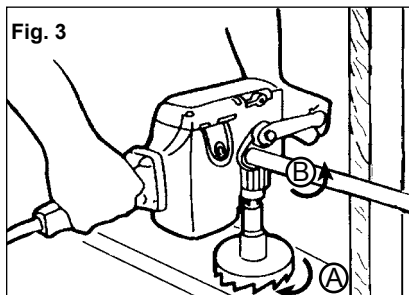
ADVERTENCIA

Al taladrar con una perforadora de una sola velocidad o con una en la velocidad alta (HI) de dos velocidades, siempre sostenga la perforadora firmemente, utilizando el mango de tubo o apoye la perforadora contra un objeto sólido y fijo para estar preparado en caso de una reacción repentina. Al perforar en la velocidad baja (LO) con una perforadora de dos velocidades, siempre apoye la perforadora contra un objeto sólido y fijo para estar preparado en caso de una reacción repentina.

Cuando perfore utilizando, nunca utilice su cuerpo para apoyar la perforadora.

Nunca ponga las manos (u otras partes del cuerpo) entre la parte de la perforadora que se está apoyando y el objeto que la apoya. Las manos (u otras partes del cuerpo) puedan ser apretadas, aplastadas o rotas.

Atasco de las brocas (Fig. 3)



Si la broca se atora, la perforadora reaccionará de repente en el sentido opuesto de la rotación de la broca. La figura 3 muestra la trayectoria de esta reacción. (B) si la broca se atora mientras se está perforando hacia adelante (A). El operador debe reducir la posibilidad de una reacción de repente siguiendo las instrucciones a continuación.

El operador también debe prepararse para una reacción de repente manteniendo fijo utilizando el mango de tubo o apoyándose contra un objeto fijo y sólido.

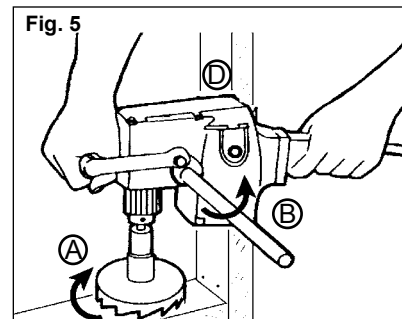
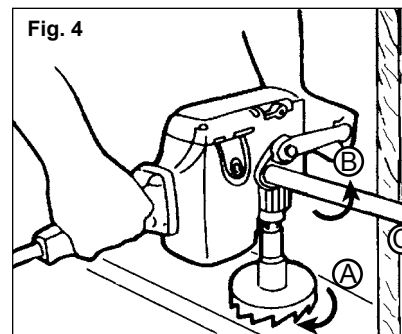
Para reducir la posibilidad del atasco de una broca:

- Use brocas afiladas. Es menos probable que las brocas afiladas se atasquen cuando se taladra.
- Use la broca apropiada para el trabajo. Hay muchos tipos de brocas diseñadas para propósitos específicos.
- Use la velocidad apropiada para el tamaño de la broca. Se debe activar las brocas más grandes a velocidades más bajas. Usar las brocas más grandes a velocidades altas aumentará la posibilidad del atasco de la broca y aumentará la posibilidad de una reacción.
- Evite taladrar materiales alabeados, mojadas, nudosas o alquitranadas.
- Evite taladrar materiales que sospecha que contienen clavos escondidos o otras cosas que pueden causar que la broca se atasquen.

La dirección de la reacción siempre es la dirección opuesta de la dirección de la rotación de la broca.

Es aún más probable que la reacción ocurra cuando se hace que algunas perforaciones que ya existen sean más grandes. Generalmente ocurre en el momento cuando la broca se rompe por el otro lado de la material.

Apoyo para rotaciones hacia adelante



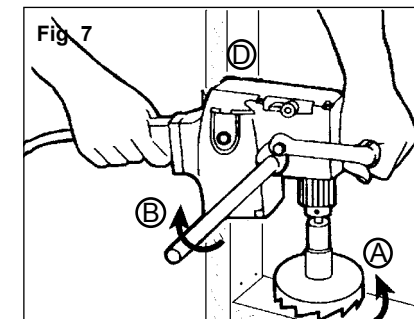
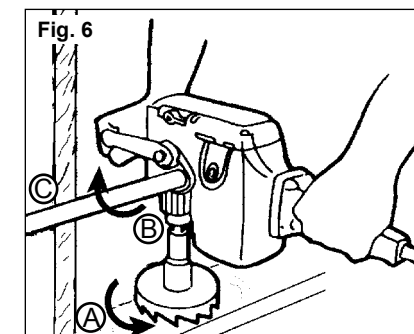
Cuando se taladra hacia adelante, la broca se rotará en el sentido de las agujas del reloj. Si la broca se atasca en la perforación, la broca se parará de repente y el taladro se reaccionará de repente en el sentido contrario de las agujas del reloj.

La figura 4 y 5 muestra dos ejemplos de un Hole Hawg® que está apoyado correctamente para una reacción hacia adelante.

- A. Rotación hacia adelante (el sentido de las agujas del reloj)
- B. Reacción
- C. Taladro apoyado con el mango de tubo aquí
- D. Taladro apoyado con la carcasa del motor aquí

Si la broca se sujeta, el mango de tubo o la carcasa del motor apoyados contra la espiga mantendrán el taladro en su posición.

Apoyo para rotaciones en marcha atrás



Cuando se taladra en marcha atrás, la broca se rotará en el sentido contrario de las agujas del reloj. Si la broca se sujeta en la perforación, la broca se parará de repente y el taladro se reaccionará de repente en el sentido de las agujas del reloj.

La figura 6 y 7 muestra dos ejemplos de un Hole Hawg® que está apoyado correctamente para una reacción en marcha atrás.

- A. Rotación en marcha atrás (el sentido contrario de las agujas del reloj)
- B. Reacción
- C. Taladro apoyado con el mango de tubo aquí
- D. Taladro apoyado con la carcasa del motor aquí

Si la broca se atasca, el mango de tubo o la carcasa del motor apoyados contra la espiga mantendrán el taladro en su posición.

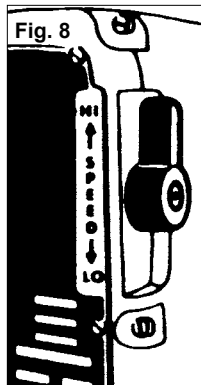
Cambio de velocidades (Fig. 8)

Los modelos de los números de catálogo 1675-1 tienen una palanca de velocidad en el lado derecho de la caja de engranajes.

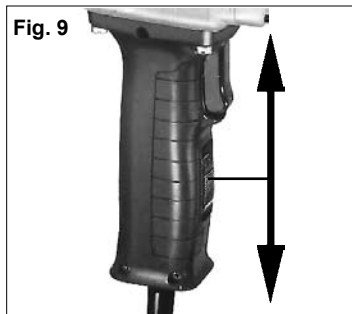
La configuración de velocidad alta (1 200 RPM HI) es la configuración de torsión baja y está diseñada para ser utilizada con las brocas de avance automático de 35 mm (1-3/8") de diámetro y más pequeñas.

La posición baja (300 RPM LO) es la posición para alta torsión y está diseñada para atornillar las brocas de avance automático con un diámetro de 38 mm (1-1/2") y más grandes.

Siempre apague el interruptor y el deslizamiento mientras la herramienta se para. Nunca deslice el taladro mientras está activado a una velocidad completa, cuando está usándolo o cuando está parado.



Reversa (Fig. 9)



Un interruptor para una rotación inversa está ubicado debajo del gatillo para sacar las brocas desde los agujeros. Permite que el motor se detenga completamente antes de utilizar esta interruptor. Dar marcha atrás cuando los engranajes estén en movimiento pueda resultar en daño grave a la herramienta. Cuando retire las brocas de avance automático desde los agujeros parcialmente perforados, apretar el gatillo ligeramente soltará el tornillo roscado. Cuando las roscas estén flojas, levante la broca desde el material después de que el motor se detenga.

Procedimiento de taladrado

Antes de taladrar, sujete firmemente el material. Un material que no esté bien sujeto puede generar lesiones personales o un pobre taladrado. Cuando taladre en metales delgados o madera, use un bloque de madera como respaldo del material y así prevenir dañarlo.

Marque, con un punzón, el centro de una perforación que será realizada, con el objeto de darle un inicio a la broca y evitar que se patine. Lubrique la broca con aceite para cortes cuando taladre acero o hierro. Use un enfriador cuando taladre metales no ferrosos tales como cobre, bronce o aluminio.

Para taladrar con una broca autoalimentadora, inicie con el tornillo en la punta, pasándolo por el material. Esto se hace con un leve toque al interruptor de gatillo, con lo que se logrará hacer girar la broca y que se haga contacto con la superficie. Alinee la broca adecuadamente antes de proseguir. De esta forma se reduce el riesgo de maltratar el material cuando se haga el taladrado. Para reducir este riesgo también al final de la perforación, reduzca la presión del taladrado una vez que la punta del tornillo, al frente de la broca, rompa el lado externo del material. Luego siga con una presión regular y pareja.

ADVERTENCIA

Para reducir el riesgo de lesiones, siempre utilice protección para los ojos.

Extracción del mandril

Para extraer el mandril del taladro:

1. Desenchufe la herramienta.
2. Abra completamente las mordazas del mandril
3. Quite el tornillo de rosca izquierda del interior del mandril haciéndolo girar en el sentido de las agujas del reloj.
4. Saque el mandril del husillo.

NOTA: si el mandril no sale del husillo con facilidad, golpee ligeramente el lateral del mandril con un martillo para aflojarlo. Si esto no funciona, comuníquese con el centro de servicios de MILWAUKEE.

MANTENIMIENTO

ADVERTENCIA

Para reducir el riesgo de lesiones, desconecte siempre la herramienta antes de darle cualquier mantenimiento. Nunca desarme la herramienta ni trate de hacer modificaciones en el sistema eléctrico de la misma. Acuda siempre a un Centro de Servicio MILWAUKEE para TODAS las reparaciones.

Mantenimiento de las herramientas

Adopte un programa regular de mantenimiento y mantenga su herramienta en buenas condiciones. Antes de usarla, examine las condiciones generales de la misma. Inspeccione guardas, interruptores, el cable de la herramienta y el cable de extensión. Busque tornillos sueltos o flojos, defectos de alineación y dobleces en partes móviles, así como montajes inadecuados, partes rotas y cualquier otra condición que pueda afectar una operación segura. Si detecta ruidos o vibraciones anormales, apague la herramienta de inmediato y corrija el problema antes de volver a usarla. No utilice una herramienta dañada. Colóquele una etiqueta que diga "NO DEBE USARSE" hasta que sea reparada (vea "Reparaciones").

Bajo condiciones normales, no se requiere lubricación hasta que haya que cambiar los carbones. Después de 6 meses a un año, dependiendo del uso dado, envíe su herramienta al Centro de Servicio MILWAUKEE más cercano para que le hagan:

- Lubricación
- Inspección y cambio de carbones
- Inspección mecánica y limpieza (engranes, flechas, baleros, carcarza, etc.)
- Inspección eléctrica (interruptor, cable, armadura, etc.)
- Probarla para asegurar una operación mecánica y eléctrica adecuada.

ADVERTENCIA

Para reducir el riesgo de lesiones, descarga eléctrica o daño a la herramienta, nunca la sumerja en líquidos ni permita que estos fluyan dentro de la misma.

Limpieza

Limpie el polvo y suciedad de las ventilas. Mantenga las empuñaduras de la herramienta limpias, secas y libres de aceite y grasa. Use sólo jabón neutro y un trapo húmedo para limpiar su herramienta ya que algunas sustancias y disolventes limpiadores pueden ocasionar daños a materiales plásticos y partes aislantes. Algunos de estos incluyen: gasolina, trementina, diluyente para barniz, diluyente para pintura, disolventes limpiadores clorados, amoníaco, y detergentes caseros que contengan amoníaco.

Reparaciones

Si su instrumento se daña, vuelva el instrumento entero al más cercano centro de reparaciones.

ACCESORIOS



ADVERTENCIA

Para reducir el riesgo de lesiones, desconecte siempre su herramienta antes de colocar o retirar un accesorio. Use solo accesorios recomendados específicamente. Otros pueden ser peligrosos.

Para una lista completa de accesorios, refiérase a su catálogo *MILWAUKEE Electric Tool* o visite nuestro sitio en Internet: www.milwaukeetool.com. Para obtener un catálogo, contacte su distribuidor local o uno de los centros.

Estuche Plástico

Cat. No. 48-55-0111

Graso Tipo "E"

Cat. No. 49-08-4122

Porta Llave Del Broquero

Cat. No. 48-66-4040

Llave Del Broquero

Cat. No. 48-66-3280

GARANTÍA LIMITADA DE CINCO AÑOS

Todas las herramientas MILWAUKEE se prueban antes de abandonar la fábrica y se garantiza que no presentan defectos ni en el material ni de mano de obra. En el plazo de cinco (5) años a partir de la fecha de compra MILWAUKEE reparará o reemplazará (a discreción de MILWAUKEE), sin cargo alguno, cualquier herramienta (cargadores de baterías inclusive) cuyo examen determine que presenta defectos de material o de mano de obra. Devuelva la herramienta, con gastos de envío prepagados y asegurada, y una copia de la factura de compra, u otro tipo de comprobante de compra, a una sucursal de reparaciones/ventas de la fábrica MILWAUKEE o a un centro de reparaciones autorizado por MILWAUKEE. Esta garantía no cubre los daños ocasionados por reparaciones o intentos de reparación por parte de personal no autorizado por MILWAUKEE, abuso, desgaste y deterioro normal, falta de mantenimiento o accidentes.

El período de garantía para las baterías V28 es de dos (2) años a partir de la fecha de compra. El período de garantía para las baterías Ni-Cd, linternas, radios y polipastos es de un (1) año a partir de la fecha de compra.

LOS DERECHOS A REPARACIÓN Y REEMPLAZO DESCRITOS EN EL PRESENTE DOCUMENTO SON EXCLUSIVOS. MILWAUKEE NO SERÁ EN NINGÚN CASO RESPONSABLE DE DAÑOS INCIDENTALES, ESPECIALES O CONSECUENTES, INCLUYENDO LA PÉRDIDA DE GANANCIAS.

ESTA GARANTÍA ES EXCLUSIVA Y SUSTITUYE A TODA OTRA GARANTÍA, O CONDICIONES, ESCRITAS U ORALES, EXPRESAS O IMPLÍCITAS DE COMERCIALIZACIÓN O IDONEIDAD PARA UN USO O FIN DETERMINADO.

Esta garantía le proporciona derechos legales específicos. Es posible que usted tenga otros derechos que varían de estado a estado y de provincia a provincia. En aquellos estados que no permiten la exclusión de garantías implícitas o la limitación de daños incidentales o consecuentes, las limitaciones anteriores pueden que no apliquen. Esta garantía es válida solamente en los Estados Unidos, Canadá y México.

UNITED STATES - MILWAUKEE Service

MILWAUKEE prides itself in producing a premium quality product that is NOTHING BUT HEAVY DUTY®. Your satisfaction with our products is very important to us!

If you encounter any problems with the operation of this tool, or you would like to locate the *factory Service/Sales Support Branch* or *authorized service station*

nearest you, please call...

1-800-SAWDUST

(1.800.729.3878)

NATIONWIDE TOLL FREE

Monday-Friday • 8:00 AM - 4:30 PM • Central Time

or visit our website at

www.milwaukeetool.com

For service information, use the 'Service Center Search' icon found in the 'Parts & Service' section.

Additionally, we have a nationwide network of *authorized* Distributors ready to assist you with your tool and accessory needs. Check your "Yellow Pages" phone directory under "Tools-Electric" for the names & addresses of those nearest you or see the 'Where To Buy' section of our website.

Corporate After Sales Service - Technical Support
Brookfield, Wisconsin USA

•Technical Questions •Service/Repair Questions •Warranty

1-800-SAWDUST

(1.800.729.3878) fax: 1.800.638.9582

email: metproductsupport@milwaukeetool.com

Monday-Friday • 8:00 AM - 4:30 PM • Central Time

Canada - Service MILWAUKEE

MILWAUKEE est fier de proposer un produit de première qualité NOTHING BUT HEAVY DUTY®. Votre satisfaction est ce qui compte le plus!

En cas de problèmes d'utilisation de l'outil ou pour localiser le centre de service/ventes ou le *centre d'entretien* le plus proche, appelez le...

416.439.4181

fax: 416.439.6210

Milwaukee Electric Tool (Canada) Ltd

755 Progress Avenue

Scarborough, Ontario M1H 2W7

Notre réseau national de distributeurs *agréés* se tient à votre disposition pour fournir l'aide technique, l'outillage et les accessoires nécessaires. Composez le 416.439.4181 pour obtenir les noms et adresses des revendeurs les plus proches ou bien consultez la section «Où acheter» sur notre site web à l'adresse

www.milwaukeetool.com

MEXICO - Soporte de Servicio MILWAUKEE

Milwaukee Electric Tool, S.A. de C.V.

Blvd. Abraham Lincoln no. 13

Colonia Los Reyes Zona Industrial

Tlalnepantla, Edo. México C.P. 54073

Tel. (55) 5565-1414 Fax: (55) 5565-6874

Adicionalmente, tenemos una red nacional de distribuidores *autorizados* listos para ayudarle con su herramienta y sus accesorios. Por favor, llame al (55) 5565-1414 para obtener los nombres y direcciones de los más cercanos a usted, o consulte la sección 'Where to buy' (Dónde comprar) de nuestro sitio web en

www.milwaukeetool.com

MILWAUKEE ELECTRIC TOOL CORPORATION

13135 West Lisbon Road • Brookfield, Wisconsin, U.S.A. 53005

58-14-1782d11

10/05

Printed in USA

Free Manuals Download Website

<http://myh66.com>

<http://usermanuals.us>

<http://www.somanuals.com>

<http://www.4manuals.cc>

<http://www.manual-lib.com>

<http://www.404manual.com>

<http://www.luxmanual.com>

<http://aubethermostatmanual.com>

Golf course search by state

<http://golfingnear.com>

Email search by domain

<http://emailbydomain.com>

Auto manuals search

<http://auto.somanuals.com>

TV manuals search

<http://tv.somanuals.com>