



**OPERATOR'S MANUAL
MANUEL de L'UTILISATEUR
MANUAL del OPERADOR**



**Catalog No.
No de Cat.
Catálogo No.
4270-20**

**COMPACT ELECTROMAGNETIC DRILL PRESS
PERCEUSE À COLONNE ÉLECTROMAGNÉTIQUE COMPACTE
PRENSA TALADRADORA ELECTROMAGNETICA COMPACTA**

TO REDUCE THE RISK OF INJURY, USER MUST READ AND UNDERSTAND OPERATOR'S MANUAL.

AFIN DE RÉDUIRE LE RISQUE DE BLESSURES, L'UTILISATEUR DOIT LIRE ET BIEN COMPRENDRE LE MANUEL DE L'UTILISATEUR.

PARA REDUCIR EL RIESGO DE LESIONES, EL USUARIO DEBE LEER Y ENTENDER EL MANUAL DEL OPERADOR.

GENERAL SAFETY RULES — FOR ALL POWER TOOLS



WARNING!

READ ALL INSTRUCTIONS

Failure to follow all instructions listed below may result in electric shock, fire and/or serious injury. The term "power tool" in all of the warnings listed below refers to your mains-operated (corded) power tool or battery-operated (cordless) power tool.

SAVE THESE INSTRUCTIONS

WORK AREA SAFETY

1. **Keep work area clean and well lit.** Cluttered or dark areas invite accidents.
2. **Do not operate power tools in explosive atmospheres, such as in the presence of flammable liquids, gases, or dust.** Power tools create sparks which may ignite the dust or fumes.
3. **Keep children and bystanders away while operating a power tool.** Distractions can cause you to lose control.

ELECTRICAL SAFETY

4. **Power tool plugs must match the outlet. Never modify the plug in any way. Do not use any adapter plugs with earthed (grounded) power tools.** Unmodified plugs and matching outlets will reduce risk of electric shock.
5. **Avoid body contact with earthed or grounded surfaces such as pipes, radiators, ranges and refrigerators.** There is an increased risk of electric shock if your body is earthed or grounded.
6. **Do not expose power tools to rain or wet conditions.** Water entering a power tool will increase the risk of electric shock.
7. **Do not abuse the cord. Never use the cord for carrying, pulling, or unplugging the power tool. Keep cord away from heat, oil, sharp edges, or moving parts.** Damaged or entangled cords increase the risk of electric shock.
8. **When operating a power tool outdoors, use an extension cord suitable for outdoor use.** Use of a cord suitable for outdoor use reduces the risk of electric shock.

PERSONAL SAFETY

9. **Stay alert, watch what you are doing and use common sense when operating a power tool. Do not use a power tool while you are tired or under the influence of drugs, alcohol or medication.** A moment of inattention while operating power tools may result in serious personal injury.
10. **Use safety equipment. Always wear eye protection.** Safety equipment such as dust mask, non-skid safety shoes, hard hat, or hearing protection used for appropriate conditions will reduce personal injuries.
11. **Avoid accidental starting. Ensure the switch is in the off-position before plugging in.** Carrying tools with your finger on the switch or plugging in power tools that have the switch on invites accidents.
12. **Remove any adjusting key or wrench before turning the power tool on.** A wrench or a key left attached to a rotating part of the power tool may result in personal injury.
13. **Do not overreach. Keep proper footing and balance at all times.** This enables better control of the power tool in unexpected situations.
14. **Dress properly. Do not wear loose clothing or jewellery. Keep your hair, clothing and gloves away from moving parts.** Loose clothes, jewellery, or long hair can be caught in moving parts.
15. **If devices are provided for the connection of dust extraction and collection facilities, ensure these are connected and properly used.** Use of these devices can reduce dust-related hazards.

POWER TOOL USE AND CARE

16. **Do not force the power tool. Use the correct power tool for your application.** The correct power tool will do the job better and safer at the rate for which it was designed.
17. **Do not use the power tool if the switch does not turn it on and off.** Any power tool that cannot be controlled with the switch is dangerous and must be repaired.
18. **Disconnect the plug from the power source and/or the battery pack from the power tool before making any adjustments, changing accessories, or storing power tools.** Such preventive safety measures reduce the risk of starting the tool accidentally.
19. **Store idle power tools out of the reach of children and do not allow persons unfamiliar with the power tools or these instructions to operate power tools.** Power tools are dangerous in the hands of untrained users.
20. **Maintain power tools. Check for misalignment or binding of moving parts, breakage of parts and any other condition that may affect the power tool's operation. If damaged, have the power tool repaired before use.** Many accidents are caused by poorly maintained power tools.
21. **Keep cutting tools sharp and clean.** Properly maintained cutting tools with sharp cutting edges are less likely to bind and are easier to control.
22. **Use the power tool, accessories and tool bits etc., in accordance with these instructions and in the manner intended for the particular type of power tool, taking into account the working conditions and the work to be performed.** Use of the power tool for operations different from those intended could result in a hazardous situation.

SERVICE







23. **Have your power tool serviced by a qualified repair person using only identical replacement parts.** This will ensure that the safety of the power tool is maintained.

SPECIFIC SAFETY RULES FOR ELECTROMAGNETIC DRILL PRESS

1. **Always use safety strap when drilling overhead or on a vertical surface** (see "Safety Strap" under "Operation"). Mounting can release.
2. **Clean the surface before attaching the drill stand to the work surface.** Paint, rust, scale, or uneven surfaces decrease the holding strength of the magnet. Chips, burrs, dirt and other foreign matter on the surface of the magnet base will also decrease holding power.
3. **Do not attach magnetic base to nonmagnetic grades of stainless steel.** The magnetic base WILL NOT hold. The electromagnetic drill press attaches magnetically to 3/8" or thicker ferrous stock. Do not use on stock less than 3/8".
4. **Wet connections are shock hazards.** If the plug or connections get wet, turn power off to the outlet before unplugging the tool. Prevent cutting fluid from traveling along the cord and contacting the outlet, extension cord connections or tool plug. Each time tool is plugged in, elevate extension cord or gang box connections and arrange a drip loop.
5. **Maintain labels and nameplates.** These carry important information. If unreadable or missing, contact a *MILWAUKEE* service facility for a free replacement.
6. **Wear ear protectors with impact drills.** Exposure to noise can cause hearing loss.
7. **Hold power tools by insulated gripping surfaces when performing an operation where the cutting tool may contact hidden wiring or its own cord.** Contact with a "live" wire will make exposed metal parts of the tool "live" and shock the operator.
8. **WARNING!** Some dust created by power sanding, sawing, grinding, drilling, and other construction activities contains chemicals known to cause cancer, birth defects or other reproductive harm. Some examples of these chemicals are:
 - lead from lead-based paint
 - crystalline silica from bricks and cement and other masonry products, and
 - arsenic and chromium from chemically-treated lumber.

Your risk from these exposures varies, depending on how often you do this type of work. To reduce your exposure to these chemicals: work in a well ventilated area, and work with approved safety equipment, such as those dust masks that are specially designed to filter out microscopic particles.
9. **Safety Strap**
 - A. **Do not use near acids or bleaching agents.**
 - B. **Do not use for overhead lifting.**
 - C. **Do not use strap if webbing is cut.**
 - D. **Webbing must be protected from sharp edges.**
 - E. **All hardware must be in line with direction of pull for rated capacity.**

Symbology

	Volts Alternating Current
	Amps
	Double Insulated
n_0 <u>xxxx</u> /min.	No Load Revolutions per Minute (RPM)
	Underwriters Laboratories, Inc.
	Canadian Standards Association
	DANGER! To reduce the risk of injury, always keep hands, rags, clothing, etc. away from moving parts and chips. Do not try to remove chips while the cutter is rotating. Chips are sharp and can pull objects into moving parts.

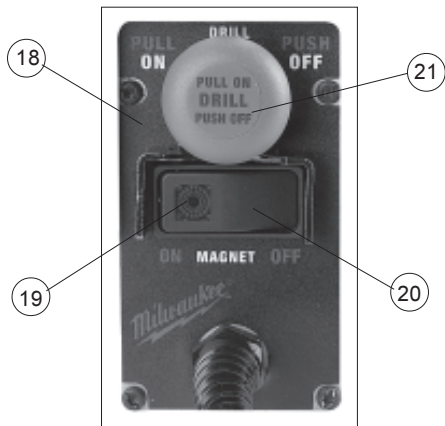
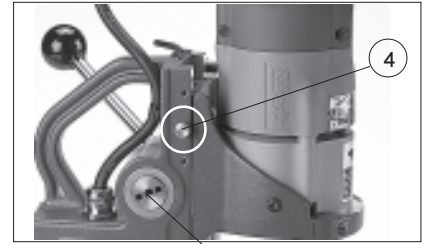
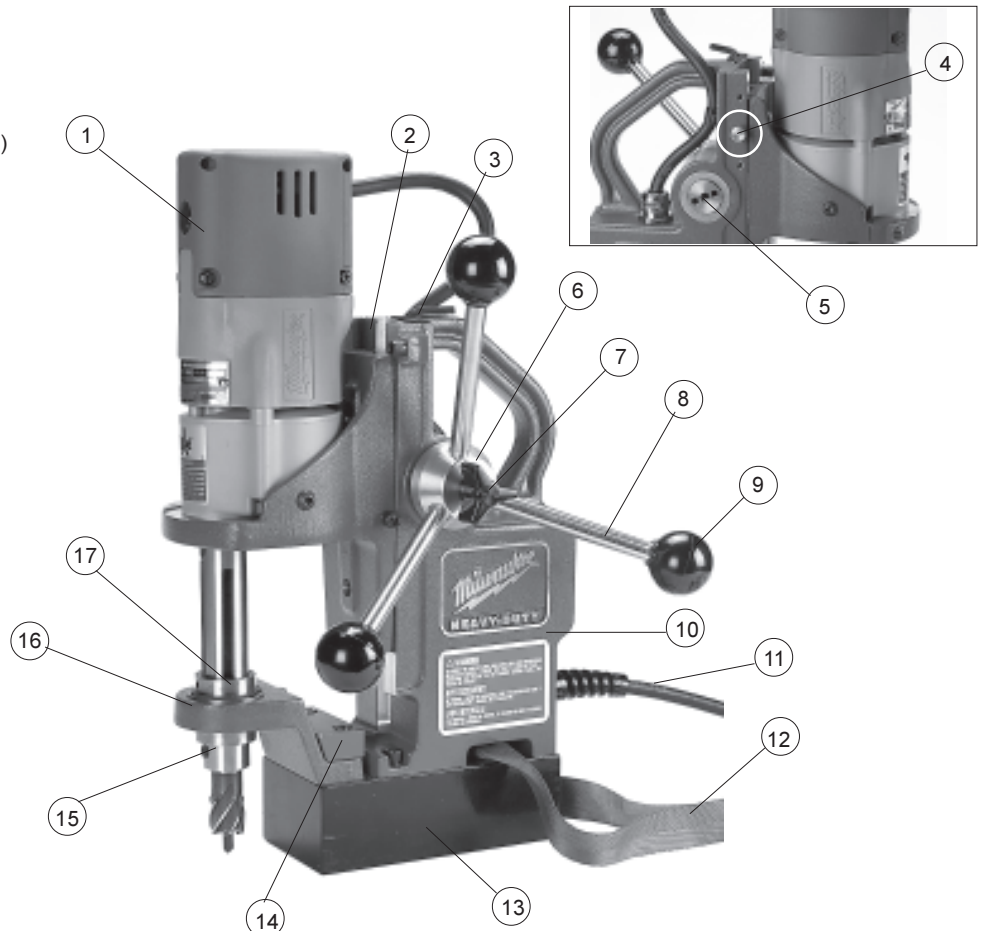
Specifications

Cat. No.	Volts AC Only	Amps	No Load RPM	Arbor Bore	*Twist Drill	HSS Cutter
4270-20	120	9.0	450	3/4"	1/2"	1-1/2"

* Requires use of 1/2" drill chuck adapter, see "Accessories."

FUNCTIONAL DESCRIPTION

1. Drill motor
2. Slide
3. Wrench storage
(includes 3/32" and 3/16" hex keys)
4. Stop knob
5. Pinion
6. Hub
7. Handle screw
8. Feed handle
9. Grip
10. Housing
11. Cord
12. Safety strap
13. Magnetic base
14. Spacer
15. Drill spindle
16. Support bracket
17. Cutting fluid reservoir
18. Control panel
19. Magnet indicator light
20. Magnet switch
21. Drill on/off switch
22. Hand pump



FEATURES

Line Lockout

The line lockout prevents the drill motor from starting when line power is first applied to the system or after a momentary power loss. To reset tool, turn magnet switch to "OFF" position and drill on/off switch to "OFF" position.

Motor/Magnet Interlock

The motor/magnet interlock is a feature that prevents power from being applied to the drill motor if the magnet is not energized. The motor magnet interlock also prevents the magnet from being de-energized while the motor is running.

GROUNDING



WARNING!

Improperly connecting the grounding wire can result in the risk of electric shock. Check with a qualified electrician if you are in doubt as to whether the outlet is properly grounded. Do not modify the plug provided with the tool. Never remove the grounding prong from the plug. Do not use the tool if the cord or plug is damaged. If damaged, have it repaired by a MILWAUKEE service facility before use. If the plug will not fit the outlet, have a proper outlet installed by a qualified electrician.

Grounded Tools:

Tools with Three Prong Plugs

Tools marked "Grounding Required" have a three wire cord and three prong grounding plug. The plug must be connected to a properly grounded outlet (See Figure A). If the tool should electrically malfunction or break down, grounding provides a low resistance path to carry electricity away from the user, reducing the risk of electric shock.

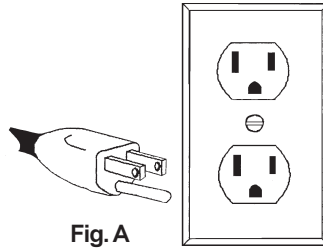


Fig. A

The grounding prong in the plug is connected through the green wire inside the cord to the grounding system in the tool. The green wire in the cord must be the only wire connected to the tool's grounding system and must never be attached to an electrically "live" terminal.

Your tool must be plugged into an appropriate outlet, properly installed and grounded in accordance with all codes and ordinances. The plug and outlet should look like those in Figure A.

Double Insulated Tools:

Tools with Two Prong Plugs

Tools marked "Double Insulated" do not require grounding. They have a special double insulation system which satisfies OSHA requirements and complies with the applicable standards of Underwriters Laboratories, Inc., the Canadian Standard Association and the National Electrical Code. Double Insulated tools may be used in either of the 120 volt outlets shown in Figures B and C.

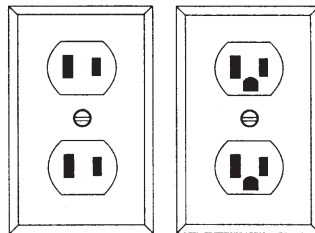


Fig. B

Fig. C

EXTENSION CORDS

Grounded tools require a three wire extension cord. Double insulated tools can use either a two or three wire extension cord. As the distance from the supply outlet increases, you must use a heavier gauge extension cord. Using extension cords with inadequately sized wire causes a serious drop in voltage, resulting in loss of power and possible tool damage. Refer to the table shown to determine the required minimum wire size.

The smaller the gauge number of the wire, the greater the capacity of the cord. For example, a 14 gauge cord can carry a higher current than a 16 gauge cord. When using more than one extension cord to make up the total length, be sure each cord contains at least the minimum wire size required. If you are using one extension cord for more than one tool, add the nameplate amperes and use the sum to determine the required minimum wire size.

Guidelines for Using Extension Cords

- If you are using an extension cord outdoors, be sure it is marked with the suffix "W-A" ("W" in Canada) to indicate that it is acceptable for outdoor use.
- Be sure your extension cord is properly wired and in good electrical condition. Always replace a damaged extension cord or have it repaired by a qualified person before using it.
- Protect your extension cords from sharp objects, excessive heat and damp or wet areas.

Recommended Minimum Wire Gauge for Extension Cords*

Nameplate Amperes	Extension Cord Length					
	25'	50'	75'	100'	150'	200'
0 - 5	16	16	16	14	12	12
5.1 - 8	16	16	14	12	10	--
8.1 - 12	14	14	12	10	--	--
12.1 - 15	12	12	10	10	--	--
15.1 - 20	10	10	10	--	--	--

* Based on limiting the line voltage drop to five volts at 150% of the rated amperes.

READ AND SAVE ALL INSTRUCTIONS FOR FUTURE USE.

TOOL ASSEMBLY



WARNING!

To reduce the risk of injury, always unplug tool before attaching or removing accessories or making adjustments. Use only specifically recommended accessories. Others may be hazardous.

Attaching Feed Handles and Grips (Fig. 1)

Fig. 1



1. Assemble the feed handles and grips to the hub. Tighten securely.
2. To mount the hub to either side, align the two (2) dowel pins on the hub with the holes in the pinion. Tighten the handle screw.

Stop Knob (Fig. 2)

The stop knob is designed to stop the slide from moving.

To install, screw stop knob into location shown (Fig. 2).

Fig. 2



Adjusting the Gib Assembly (Fig. 3)



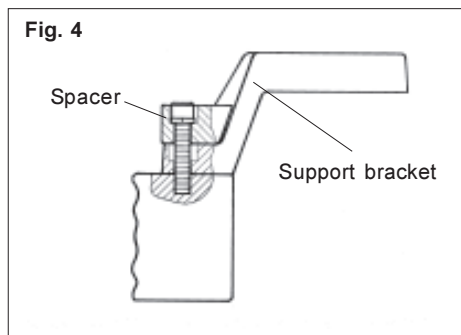
To adjust the gib, loosen or tighten the gib adjustment set screws on the side of the support housing accordingly with the 3/32" hex key provided. Tightening the set screws increases friction on the slide. The gib should be set tight enough to support the weight of the drill in any position. All adjusting screws should be set to provide smooth and even travel over the entire length of slide movement.

The set screws contain a nylon patch that prevents them from moving freely. Additional adjustment of the gib may be required from time to time with extended use of the tool.

Adjusting the Support Bracket and Spacer for Depth of Cut (Figs. 4 & 5)

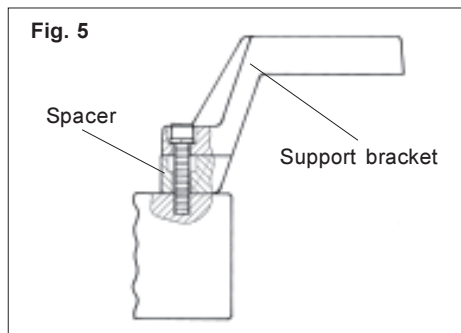
This unit is shipped from the factory set for 1" depth cutters (Fig. 4).

Fig. 4



When using 2" depth cutters, install support bracket with spacer on bottom, as shown in Fig. 5.

Fig. 5



NOTE: Do not use a spacer and support bracket with chuck adapter.

OPERATION



WARNING!

To reduce the risk of injury, wear safety goggles or glasses with side shields.

Typical Operation

1. Check the work surface to make sure it is clean and free of foreign materials.

Paint, rust, scale or uneven surfaces decrease the holding strength of the magnet. Chips, burrs, dirt and other foreign materials on the surface of the magnetic base will also decrease holding power. Use a smooth, flat file to keep the magnet clean and free of nicks.

The electromagnetic drill press attaches magnetically to 3/8" or thicker ferrous stock. Do not use on stock less than 3/8". The magnetic base WILL NOT hold on nonmagnetic grades of stainless steel.

2. To install/remove cutter:

- A. Raise the drill motor to its highest position. Tighten stop knob.
- B. Insert cutter into drill spindle with the two (2) flats of the cutter aligned with set screws. Make sure the center pin is inserted into the cutter.
- C. Tighten set screws with 3/16" hex key provided.
- D. Loosen the stop knob.
- E. Reverse procedure to remove cutter.

NOTE: Cutter should be fully seated into drill spindle.

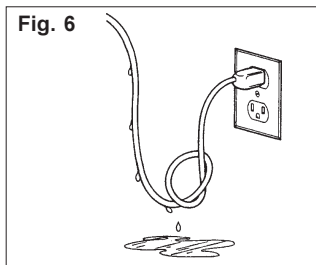
Avoid contact with cutter tips. Periodically inspect the cutter tips for loose or damaged tips.

3. Plug in tool to power source.



WARNING!

- Do not use cutting fluid in an overhead or any other position that allows cutting fluid to enter motor or switch enclosure.
- Wet connections are shock hazards. Prevent cutting fluid from traveling along cord and contacting the outlet, extension cord connections or tool plug. Each time tool is plugged in, elevate extension cord or gang box connections and arrange a drip loop (See Fig. 6). If plug or connections get wet, turn power off to outlet before unplugging tool.



4. Move the spindle up so the cutter and center pin are above the work surface.



WARNING!

To reduce the risk of injury, do not hold workpiece by hand.

5. Position the tool so the center pin is directly over the desired cutting location. Push the magnet switch to the "ON" position. The magnet indicator light will turn on.



WARNING!

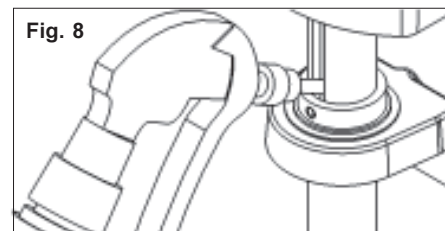
To reduce the risk of injury, always use a safety strap when drilling overhead or on a vertical surface.

6. Use a safety strap on vertical or overhead situations (Fig. 7).
 - A. Route the safety strap, ring side first, through the lower slot, and wrap it tightly around a solid, rigid structure as shown. Make sure the strap is not twisted.
 - B. Hook the safety strap snaphook provided to the ring. Eliminate any slack in the strap.
 - C. When using on a vertical surface, secure the safety strap with a c-clamp or similar device. This will hold the strap in place and prevent the tool from sliding down the vertical surface.

NOTE: Do not clamp to the strap. This may damage the strap and cause it to break (Fig. 7).



7. With the drill on/off switch in the "OFF" position, fill the cutting fluid reservoir with cutting fluid through the slots in the drill spindle (Fig. 8).



The cutting fluid reservoir will empty as the center pin contacts the work surface. When notching or slotting, it is required to spray cutting fluid directly to the cutter and work piece with the supplied hand pump. Keep hand pump away from moving parts. Failure to use the lubricant properly will cause cutter damage.

The use of HAWG WASH® cutting fluid is recommended for long life of these cutters. The operator is responsible for the application of lubricants other than HAWG WASH® cutting fluid.

In overhead or vertical cutting applications, do not use cutting fluids. Use only lubricant pastes or sprays recommended for high speed cutting. Do not allow lubricant pastes and sprays to enter tool.

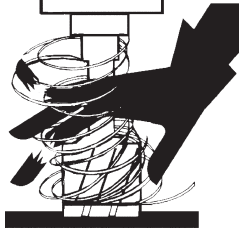
8. Start the drill motor by pulling the drill on/off switch to the "ON" position.



WARNING!

To reduce the risk of injury, always keep hands, rags, clothing, etc. away from moving parts and chips. Do not try to remove chips while the cutter is rotating. Chips are sharp and can pull objects into moving parts (see Fig. 9).

Fig. 9



9. These units have a 8:1 feed ratio: i.e. for every pound applied to the handle, you create eight pounds on the drill point. Even large bits only require a small amount of pressure on the handle. Example: 20 Pounds on the handle creates 160 Pounds on the drill point.

When feeding the cutter into the material, apply only enough force to produce a curled chip. Applying too little force will result in small broken chips and increased cutting time. Applying too much force will cause overheating of the cutter resulting in short cutter life. Overheating of the cutter can be noticed when cutter and chips turn brown or blue. Excessive force can cause the cutter to slow down to a point where cutting time will increase. The use of cutting lubricants will reduce cutting heat and increase cutter life

Use less feed pressure when slotting or notching because there is less support for the cutting edges in these situations.



WARNING!

Excessive force will break magnet free.

10. Keep constant pressure throughout the entire operation to prevent chips and burrs from falling under the cutting edges. Cutting debris under the cutter can make cutting difficult or impossible.
11. When the cut is complete, withdraw the cutter while the drill spindle is still rotating.
12. Stop the drill motor by pushing in the drill on/off switch to the "OFF" position.
13. When the drill spindle has stopped rotating, use a pliers to remove cutting debris and chips from the cutter and spindle. Use care to avoid damaging the cutter teeth.
14. If the slug is still present in the cutter, rotate the feed handle to highest position. This will eject the slug from the cutter.
The center pin is spring loaded. Provide protection from ejected slug for people and property below cutting area.
15. Make sure you have a firm grip on the tool before turning off the magnet.
Push the magnet switch to the "OFF" position. The magnet indicator light will turn off.

MAINTENANCE



WARNING!

To reduce the risk of injury, always unplug your tool before performing any maintenance. Never disassemble the tool or try to do any rewiring on the tool's electrical system. Contact a **MILWAUKEE** service facility for ALL repairs.

Maintaining Tools

Keep your tool in good repair by adopting a regular maintenance program. Before use, examine the general condition of your tool. Inspect guards, switches, tool cord set and extension cord for damage. Check for loose screws, misalignment, binding of moving parts, improper mounting, broken parts and any other condition that may affect its safe operation. If abnormal noise or vibration occurs, turn the tool off immediately and have the problem corrected before further use. Do not use a damaged tool. Tag damaged tools "DO NOT USE" until repaired (see "Repairs").

Under normal conditions, relubrication is not necessary until the motor brushes need to be replaced. After six months to one year, depending on use, return your tool to the nearest **MILWAUKEE** service facility for the following:

- Lubrication
- Brush inspection and replacement
- Mechanical inspection and cleaning (gears, spindles, bearings, housing, etc.)
- Electrical inspection (switch, cord, armature, etc.)
- Testing to assure proper mechanical and electrical operation



WARNING!

To reduce the risk of injury, electric shock and damage to the tool, never immerse your tool in liquid or allow a liquid to flow inside the tool.

Cleaning

Clean dust and debris from vents. Keep the tool handles clean, dry and free of oil or grease. Use only mild soap and a damp cloth to clean your tool since certain cleaning agents and solvents are harmful to plastics and other insulated parts. Some of these include: gasoline, turpentine, lacquer thinner, paint thinner, chlorinated cleaning solvents, ammonia and household detergents containing ammonia. Never use flammable or combustible solvents around tools.

Repairs

If your tool is damaged, return the entire tool to the nearest service center.

ACCESSORIES



WARNING!

To reduce the risk of injury, always unplug the tool before attaching or removing accessories. Use only specifically recommended accessories. Others may be hazardous.

For a complete listing of accessories refer to your **MILWAUKEE** Electric Tool catalog or go on-line to www.milwaukeetool.com. To obtain a catalog, contact your local distributor or a service center.

Safety Strap 4ft.

Cat. No. 48-58-0090

HAWG WASH® Cutting Fluid

Case of twelve-16oz. bottles, which makes one gallon of lubricant per bottle.

Cat No. 49-32-0081

HAWG WASH® Hand Pump

Cat. No. 44-46-0090

1/2" Drill Chuck Adapter

Also includes chuck and chuck key.

Cat. No. 48-66-2125

FIVE YEAR TOOL LIMITED WARRANTY

Every **MILWAUKEE** tool is tested before leaving the factory and is warranted to be free from defects in material and workmanship. **MILWAUKEE** will repair or replace (at **MILWAUKEE**'s discretion), without charge, any tool (including battery chargers) which examination proves to be defective in material or workmanship from five (5) years after the date of purchase. Return the tool and a copy of the purchase receipt or other proof of purchase to a **MILWAUKEE** Factory Service/Sales Support Branch location or **MILWAUKEE** Authorized Service Station, freight prepaid and insured. This warranty does not cover damage from repairs made or attempted by other than **MILWAUKEE** authorized personnel, abuse, normal wear and tear, lack of maintenance, or accidents.

Battery Packs, Flashlights, and Radios are warranted for one (1) year from the date of purchase.

THE REPAIR AND REPLACEMENT REMEDIES DESCRIBED HEREIN ARE EXCLUSIVE. IN NO EVENT SHALL **MILWAUKEE** BE LIABLE FOR ANY INCIDENTAL, SPECIAL, OR CONSEQUENTIAL DAMAGES, INCLUDING LOSS OF PROFITS.

THIS WARRANTY IS EXCLUSIVE AND IN LIEU OF ALL OTHER WARRANTIES, OR CONDITIONS, WRITTEN OR ORAL, EXPRESSED OR IMPLIED FOR MERCHANTABILITY OR FITNESS FOR PARTICULAR USE OR PURPOSE.

This warranty gives you specific legal rights. You may also have other rights that vary from state to state and province to province. In those states that do not allow the exclusion of implied warranties or limitation of incidental or consequential damages, the above limitations or exclusions may not apply to you. This warranty applies to the United States, Canada, and Mexico only.



AVERTISSEMENT!

LIRE SOIGNEUSEMENT TOUTES LES INSTRUCTIONS

Le non respect des instructions ci-après peut entraîner des chocs électriques, des incendies et/ou des blessures graves. Le terme «outil électrique» figurant dans les avertissements ci-dessous renvoie à l'outil électrique à alimentation par le réseau (à cordon) ou par batterie (sans fil).

CONSERVER CES INSTRUCTIONS

SÉCURITÉ DU LIEU DE TRAVAIL

1. **Maintenir la zone de travail propre et bien éclairée.** Les zones encombrées ou mal éclairées sont favorables aux accidents.
2. **Ne pas utiliser d'outil électrique dans une atmosphère explosive, telle qu'en en présence de liquides, de gaz ou de poussières inflammables.** Les outils électriques génèrent des étincelles qui peuvent enflammer les poussières ou les fumées.
3. **Tenir les enfants et les personnes non autorisées à l'écart pendant le fonctionnement d'un outil électrique.** Un manque d'attention de l'opérateur risque de lui faire perdre le contrôle de l'outil.

SÉCURITÉ ÉLECTRIQUE

4. **La fiche de l'outil électrique doit correspondre à la prise d'alimentation. Ne jamais modifier la fiche d'une manière quelconque. Ne pas utiliser d'adaptateur avec les outils électriques mis à la terre (à la masse).** Des fiches non modifiées et des prises d'alimentation assorties réduisent le risque de choc électrique.
5. **Éviter tout contact corporel avec des surfaces reliées à la masse ou à la terre telles que tuyaux, radiateurs, cuisinières et réfrigérateurs.** Un risque de choc électrique plus élevé existe si le corps est relié à la masse ou à la terre.
6. **Ne pas exposer les outils électriques à la pluie ou à l'humidité.** Le risque de choc électrique augmente si de l'eau s'infiltré dans un outil électrique.
7. **Prendre soin du cordon. Ne jamais utiliser le cordon pour transporter, tirer ou débrancher l'outil électrique. Tenir le cordon à l'écart de la chaleur, des huiles, des arêtes coupantes ou des pièces en mouvement.** Un cordon endommagé ou emmêlé présente un risque de choc électrique.
8. **Se procurer un cordon d'alimentation approprié en cas d'utilisation d'un outil électrique à l'extérieur.** L'utilisation d'un cordon d'alimentation pour usage extérieur réduit le risque de choc électrique.

SÉCURITÉ INDIVIDUELLE

9. **Être sur ses gardes, être attentif et faire preuve de bon sens en utilisant un outil électrique. Ne pas utiliser un outil électrique en cas de fatigue ou sous l'influence de drogues, d'alcool ou de médicaments.** Un instant d'inattention lors de l'utilisation d'un outil électrique peut entraîner des blessures graves.
10. **Utiliser un équipement de sécurité. Toujours porter des lunettes de protection.** Un équipement de sécurité comprenant masque anti-poussière, chaussures de sécurité anti-dérapantes, casque ou dispositif de protection anti-bruit peut, dans les circonstances appropriées, réduire le risque de blessure.
11. **Éviter tout démarrage accidentel de l'outil. S'assurer que le commutateur est en position OFF (Arrêt) avant de brancher l'outil.** Le port de l'outil avec un doigt sur le commutateur ou son branchement avec le commutateur en position ON (Marche) sont favorables aux accidents.
12. **Retirer toute clé de réglage avant de mettre l'outil sous tension.** Une clé laissée attachée sur une pièce mobile de l'outil électrique peut entraîner des blessures.

13. **Ne pas travailler à bout de bras. Bien garder un bon équilibre à tout instant.** Ceci permet de mieux préserver la maîtrise de l'outil électrique dans des situations imprévues.
14. **Porter des vêtements adéquats. Ne pas porter de vêtements amples ni de bijoux. Ne pas approcher les cheveux, vêtements et gants des pièces en mouvement.** Les vêtements amples, les bijoux ou les cheveux longs risquent d'être happés par les pièces en mouvement.
15. **Si des dispositifs sont prévus pour l'extraction et la récupération des poussières, vérifier qu'ils sont connectés et utilisés correctement.** L'utilisation de ces dispositifs peut réduire les risques liés aux poussières.

UTILISATION ET ENTRETIEN DE L'OUTIL ÉLECTRIQUE

16. **Ne pas forcer l'outil électrique. Utiliser l'outil électrique approprié à l'application considérée.** L'outil électrique adapté au projet considéré produira de meilleurs résultats, dans des conditions de sécurité meilleures, à la vitesse pour laquelle il a été conçu.
17. **Ne pas utiliser l'outil électrique si le commutateur ne le met pas sous ou hors tension.** Tout outil électrique dont le commutateur de marche-arrêt est inopérant est dangereux et doit être réparé.
18. **Débrancher la fiche de la prise d'alimentation et/ou la batterie de l'outil électrique avant d'effectuer des réglages, de changer d'accessoires ou de ranger l'outil.** De telles mesures de sécurité préventive réduisent le risque de mettre l'outil en marche accidentellement.
19. **Ranger les outils électriques inutilisés hors de la portée des enfants et ne pas laisser des personnes qui connaissent mal les outils électriques ou ces instructions utiliser ces outils.** Les outils électriques sont dangereux dans les mains d'utilisateurs non formés à leur usage.
20. **Entretien des outils électriques. S'assurer de l'absence de tout désalignement ou de grippage des pièces mobiles, de toute rupture de pièce ou de toute autre condition qui pourrait affecter le bon fonctionnement de l'outil électrique. En cas de dommages, faire réparer l'outil avant de l'utiliser de nouveau.** Les outils électriques mal entretenus sont à la source de nombreux accidents.
21. **Garder les outils de coupe affûtés et propres.** Les outils de coupe correctement entretenus et bien affûtés risquent moins de se gripper et sont plus faciles à manier.
22. **Utiliser cet outil électrique, les accessoires, les mèches, etc. conformément à ces instructions et de la façon prévue pour ce type particulier d'outil électrique, tout en prenant en compte les conditions de travail et le type de projet considérés.** L'utilisation de cet outil électrique pour un usage autre que l'usage prévu peut créer des situations dangereuses.

ENTRETIEN







23. **Faire effectuer l'entretien de l'outil électrique par un technicien qualifié qui n'utilisera que des pièces de rechange identiques.** La sécurité d'utilisation de l'outil en sera préservée.

RÈGLES DE SÉCURITÉ PARTICULIÈRE POUR LA PERCEUSE À COLONNE ÉLECTROMAGNÉTIQUE

1. **Utilisez toujours une sangle de sécurité lorsque vous percez à la verticale ou sur une surface verticale (voir « Sangle de sécurité » sous « Utilisation »).** Le montage peut se dégager.
2. **Nettoyez la surface avant de fixer le support de la perceuse à la surface de travail.** La peinture, la rouille, les incrustations, ou les surfaces inégales réduisent la force de rétention de l'aimant. Les copeaux, les bavures, la saleté et autres corps étrangers pouvant être présents sur la base de l'aimant réduisent également sa force de rétention.
3. **N'attachez pas la base de l'aimant à des types d'acier inoxydable non magnétiques.** La base magnétique NE tiendra PAS. La perceuse électromagnétique se fixe magnétiquement sur des pièces de métal ferreux de 9,5 mm (3/8") ou plus épais. N'utilisez pas de pièces métalliques d'une épaisseur inférieure à 9,5 mm (3/8").
4. **Les connexions mouillées présentent des risques de choc électrique.** Si la prise ou les connexions sont mouillées, coupez le courant au niveau de la prise avant de débrancher l'outil. Empêchez le fluide de coupe de couler le long du cordon et d'entrer en contact avec la prise, les connexions du cordon d'extension ou la prise de l'outil. Chaque fois que l'outil est branché, élevez le cordon d'extension ou la monocommande et prévoyez une boucle d'égouttement.
5. **Porter des protège-oreilles avec un marteau perforateur.** Une exposition au bruit peut provoquer une perte auditive.
6. **Tenir l'outil par les surfaces de prise isolées si, au cours des travaux, l'outil de coupe risque d'entrer en contact avec des fils cachés ou avec son propre cordon.** Le contact avec un fil sous tension met les parties métalliques exposées de l'outil sous tension, ce qui infligera un choc électrique à l'opérateur.
7. **Entretenez les étiquettes et plaques signalétiques.** Les indications qu'elles contiennent sont précieuses. Si elles deviennent illisibles ou se détachent, faites-les remplacer gratuitement à un centre de service *MILWAUKEE* accrédité.
8. **AVERTISSEMENT!** La poussière dégagée par le ponçage, le sciage, le meulage, le perçage et autres travaux de construction contient des substances chimiques reconnues comme pouvant causer le cancer, des malformations congénitales ou d'autres troubles des organes reproducteurs. Voici quelques exemples de telles substances :
 - le plomb contenu dans la peinture au plomb.
 - la silice cristalline contenue dans la brique, le béton et divers produits de maçonnerie.
 - l'arsenic et le chrome servant au traitement chimique du bois.

les risques associés à l'exposition à ces substances varient selon la fréquence des travaux. Afin de réduire votre exposition à ces substances : assurez-vous de travailler dans un endroit bien aéré et d'utiliser de l'équipement de sécurité tel un masque antipoussière spécifiquement conçu pour la filtration de particules microscopiques.
9. **Sangle de sécurité**
 - A. **Ne pas utiliser à proximité d'agents acides ou de blanchiment.**
 - B. **Ne pas utiliser pour un levage par dessus la tête.**
 - C. **Ne pas utiliser de courroie si le sanglage est coupé.**
 - D. **Le sanglage doit être protégé contre les rebords tranchants.**
 - E. **Tout le matériel doit être aligné dans la direction de la traction pour la capacité nominale.**

Pictographie

	Courant alternatif		Underwriters Laboratories, Inc.
	Ampères		L'Association canadienne de normalisation (ACNOR)
	Double Isolation		DANGER! Pour réduire les risques de blessure, gardez les mains, les chiffons, les vêtements etc., loin des pièces mobiles et des copeaux. N'essayez pas d'enlever les copeaux pendant que la perceuse tourne. Les copeaux sont tranchants et peuvent attirer les objets dans les pièces mobiles.
n_0 <u>xxxx</u> /min.	Tours-minute à vide (RPM)		

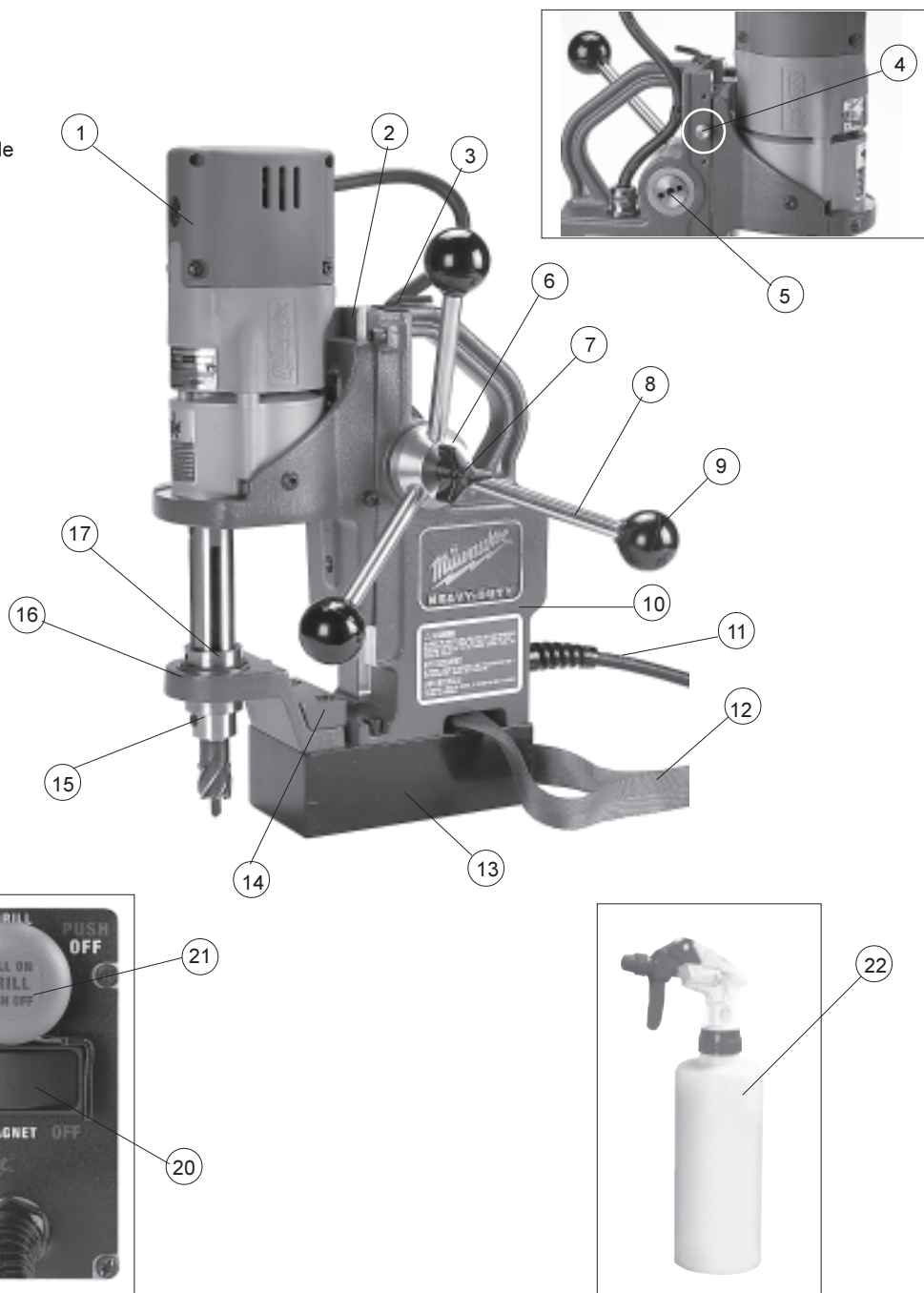
Spécifications

No de cat	Volts CA	Ampères	Tr/min à vide	Calibre d'arbre	*Foret hélicoïdal	Fraise HSS
4270-20	120	9,0	450	19 mm (3/4")	13 mm (1/2")	38 mm (1-1/2")

*Exige l'utilisation d'un adaptateur de mandrin de perçage de 13 mm (1/2"), voir « Accessoires ».

DESCRIPTION FONCTIONNELLE

1. Moteur de perceuse
2. Liaison prismatique
3. Rangement des clés (comprend des clés hexagonales de 3/32" et 3/16")
4. Bouton d'arrêt
5. Pignon
6. Moyeu
7. Vis à anse
8. Poignée de manœuvre
9. Poignée de saisie
10. Boîtier
11. Cordon
12. Sangle de sécurité
13. Base magnétique
14. Butée d'espace
15. Broche d'égouttement
16. Ferrure de support
17. Réservoir du fluide de coupe
18. Panneau de commande
19. Voyant de l'aimant
20. Commutateur de l'aimant
21. Commutateur de marche/arrêt de la perceuse
22. Pompe à main



CARACTÉRISTIQUES

Neutralisation de ligne

La neutralisation de ligne empêche le moteur de la perceuse de démarrer lorsque l'alimentation de ligne vient d'être appliquée au système ou après une perte momentanée de courant. Pour réinitialiser l'outil, tournez le commutateur de l'aimant à « Arrêt » (OFF).

Dispositif de verrouillage du moteur/aimant

Le dispositif de verrouillage du moteur/aimant empêche l'arrivée d'une alimentation de courant vers le moteur si l'aimant n'est pas sous tension. Le dispositif de verrouillage du moteur/aimant permet également d'empêcher la mise hors tension de l'aimant pendant que le moteur tourne.

MISE À LA TERRE



Si le fil de mise à la terre est incorrectement raccordé, il peut en résulter des risques de choc électrique. Si vous n'êtes pas certain que la prise dont vous vous servez est correctement mise à la terre, faites-la vérifier par un électricien. N'altérez pas la fiche du cordon de l'outil. N'enlevez pas de la fiche, la dent qui sert à la mise à la terre. N'employez pas l'outil si le cordon ou la fiche sont en mauvais état. Si tel est le cas, faites-les réparer dans un centre-service MILWAUKEE accrédité avant de vous en servir. Si la fiche du cordon ne s'adapte pas à la prise, faites remplacer la prise par un électricien.

Outils mis à la terre : Outils pourvus d'une fiche de cordon à trois dents

Les outils marqués « Mise à la terre requise » sont pourvus d'un cordon à trois fils dont la fiche a trois dents. La fiche du cordon doit être branchée sur une prise correctement mise à la terre (voir Figure A). De cette façon, si une défectuosité dans le circuit électrique de l'outil survient, le relais à la terre fournira un conducteur à faible résistance pour décharger le courant et protéger l'utilisateur contre les risques de choc électrique.

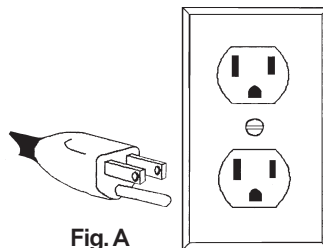


Fig. A

La dent de mise à la terre de la fiche est reliée au système de mise à la terre de l'outil via le fil vert du cordon. Le fil vert du cordon doit être le seul fil raccordé à un bout au système de mise à la terre de l'outil et son autre extrémité ne doit jamais être raccordée à une borne sous tension électrique.

Votre outil doit être branché sur une prise appropriée, correctement installée et mise à la terre conformément aux codes et ordonnances en vigueur. La fiche du cordon et la prise de courant doivent être semblables à celles de la Figure A.

Outils à double isolation : Outils pourvus d'une fiche de cordon à deux dents

Les outils marqués « Double Isolation » n'ont pas besoin d'être raccordés à la terre. Ils sont pourvus d'une double isolation conforme aux exigences de l'OSHA et satisfont aux normes de l'Underwriters Laboratories, Inc., de l'Association canadienne de normalisation (ACNOR) et du « National Electrical Code » (code national de l'électricité). Les outils à double isolation peuvent être branchés sur n'importe laquelle des prises à 120 volt illustrées ci-contre Figure B et C.

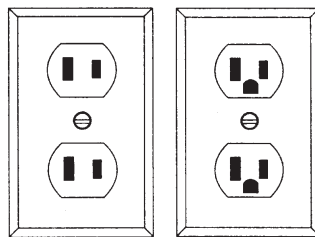


Fig. B

Fig. C

CORDONS DE RALLONGE

Si l'emploi d'un cordon de rallonge est nécessaire, un cordon à trois fils doit être employé pour les outils mis à la terre. Pour les outils à double isolation, on peut employer indifféremment un cordon de rallonge à deux ou trois fils. Plus la longueur du cordon entre l'outil et la prise de courant est grande, plus le calibre du cordon doit être élevé. L'utilisation d'un cordon de rallonge incorrectement calibré entraîne une chute de voltage résultant en une perte de puissance qui risque de détériorer l'outil. Reportez-vous au tableau ci-contre pour déterminer le calibre minimum du cordon.

Moins le calibre du fil est élevé, plus sa conductivité est bonne. Par exemple, un cordon de calibre 14 a une meilleure conductivité qu'un cordon de calibre 16. Lorsque vous utilisez plus d'une rallonge pour couvrir la distance, assurez-vous que chaque cordon possède le calibre minimum requis. Si vous utilisez un seul cordon pour brancher plusieurs outils, additionnez le chiffre d'intensité (ampères) inscrit sur la fiche signalétique de chaque outil pour obtenir le calibre minimal requis pour le cordon.

Directives pour l'emploi des cordons de rallonge

- Si vous utilisez une rallonge à l'extérieur, assurez-vous qu'elle est marquée des sigles « W-A » (« W » au Canada) indiquant qu'elle est adéquate pour usage extérieur.
- Assurez-vous que le cordon de rallonge est correctement câblé et en bonne condition. Remplacez tout cordon de rallonge détérioré ou faites-le remettre en état par une personne compétente avant de vous en servir.
- Tenez votre cordon de rallonge à l'écart des objets ranchants, des sources de grande chaleur et des endroits humides ou mouillés.

Calibres minimaux recommandés pour les cordons de rallonge*

Fiche signalétique Ampères	Longueur du cordon de rallonge (m)					
	7,6	15,2	22,8	30,4	45,7	60,9
0 - 5,0	16	16	16	14	12	12
5,1 - 8,0	16	16	14	12	10	--
8,1 - 12,0	14	14	12	10	--	--
12,1 - 15,0	12	12	10	10	--	--
15,1 - 20,0	10	10	10	--	--	--

* Basé sur une chute de voltage limite de 5 volts à 150% de l'intensité moyenne de courant.

**LISEZ ATTENTIVEMENT CES INSTRUCTIONS
ET CONSERVEZ-LES POUR LES
CONSULTER AU BESOIN.**

AVERTISSEMENT!

Pour réduire les risques de blessures, débranchez toujours l'outil avant d'y effectuer des réglages, d'y attacher ou d'en enlever les accessoires. L'usage d'accessoires autres que ceux qui sont spécifiquement recommandés pour cet outil peut comporter des risques. Tout autre type d'accessoire pourrait être dangereux.

Fixation des poignées de manœuvre et des poignées de saisie (Fig. 1)



1. Montez les poignées de manœuvre et les poignées de saisie sur le moyeu. Serrez solidement.
2. Pour monter le moyeu sur l'un ou l'autre des côtés, alignez les deux (2) goujons sur le moyeu avec les trous dans le pignon. Serrez les vis de la poignée.

Bouton d'arrêt (Fig. 2)

Le bouton d'arrêt est conçu pour arrêter le mouvement de la liaison prismatique. Pour l'installer, vissez le bouton d'arrêt à l'emplacement indiqué (Fig. 2).



Réglage de l'ensemble du lardon (Fig. 3)

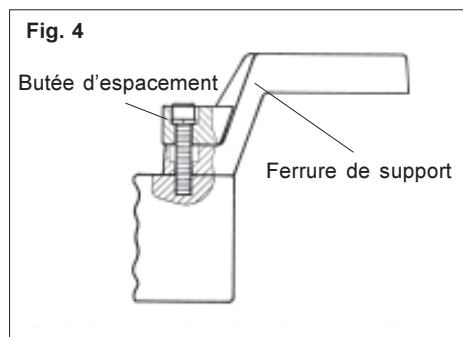


Pour régler le lardon, desserrez ou serrez au besoin les vis de retenue qui règlent le lardon situées sur le côté du boîtier de support avec la clé hexagonale de 3/32" fournie. Un serrage des vis de retenue augmente la friction de la liaison prismatique. Le lardon doit être suffisamment serré pour supporter le poids de la perceuse dans n'importe quelle position. Toutes les vis de réglage doivent être réglées de façon à permettre un déplacement égal et doux sur toute la longueur du parcours de la liaison prismatique.

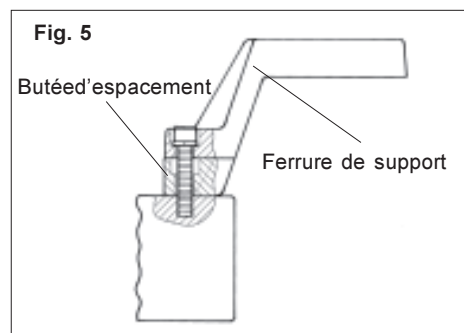
Les vis de retenue contiennent un tampon en nylon qui les empêche d'avoir du jeu. Une utilisation prolongée de l'outil peut exiger de temps à autre des réglages supplémentaires du lardon.

Réglage de la ferrure de support et de la butée d'espacement pour la profondeur de la coupe (Fig. 4 et 5)

Cet appareil est expédié de l'usine avec un réglage pour des fraises de 25 mm (1") de profondeur (Fig. 4).



Lors de l'utilisation de fraises de 50 mm (2") de profondeur, installez la ferrure de support avec la butée d'espacement, tel qu'illustré à la Fig. 5.



NB : N'utilisez pas une butée d'espacement et une ferrure de support avec un adaptateur de mandrin.

AVERTISSEMENT!

Pour minimiser les risques de blessures, portez des lunettes à coques latérales. Débranchez l'outil avant de changer les accessoires ou d'effectuer des réglages.

Utilisation typique

1. Assurez-vous que la surface de travail est propre et sans corps étrangers.

La peinture, la rouille, les incrustations, ou les surfaces inégales réduisent la force de rétention de l'aimant. Les copeaux, les bavures, la saleté et autres corps étrangers pouvant être présents sur la base de l'aimant réduisent également sa force de rétention. Servez-vous d'une lime lisse pour nettoyer l'aimant et le conserver sans entailles.

La perceuse électromagnétique se fixe magnétiquement sur des pièces de métal ferreux de 9,5 mm (3/8") ou plus épais. N'utilisez pas de pièces métalliques d'une épaisseur inférieure à 9,5 mm (3/8"). La base magnétique NE TIENDRA PAS sur des types d'acier inoxydable non magnétique.

2. Installation / dépose de la fraise :

A. Relevez le moteur de la perceuse à sa position la plus haute. Serrez le bouton d'arrêt.

B. Insérez la fraise dans la broche de la perceuse avec les deux (2) méplats de la fraise alignés avec les vis de retenue.

Assurez-vous que la broche centrale est insérée dans la fraise.

NB : La fraise doit être complètement installée dans la broche de la perceuse.

C. Serrez les vis de retenue avec la clé hexagonale de 3/16" fournie.

D. Desserrez le bouton d'arrêt.

E. Effectuez la procédure inverse pour enlever la fraise.

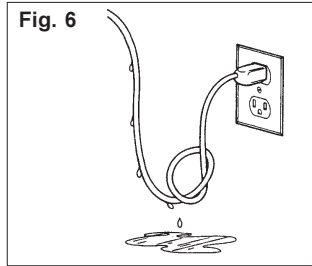
NB : Ne retirez pas la fraise sans retirer sa débouchure, car elle pourrait être éjectée à l'improviste.

Évitez un contact avec les embouts de la fraise. Inspectez-les régulièrement pour vous assurer qu'ils ne sont pas desserrés ou endommagés.

3. Branchez l'outil dans la source d'alimentation.

AVERTISSEMENT!

- N'utilisez pas de liquide de coupe dans une position verticale ou dans toute position qui lui permettrait d'entrer dans le moteur ou dans les ouvertures du commutateur.
- Les connexions mouillées présentent des risques de choc électrique. Empêchez les fluides de coupe de couler le long du cordon et d'arriver à la prise, aux connexions du cordon d'extension ou à la prise de l'outil. Chaque fois que l'outil est branché, élevez le cordon d'extension ou la monocommande et prévoyez une boucle d'égouttement. (Voir Fig. 6). Si la prise ou les connexions sont mouillées, coupez le courant au niveau de la prise avant de débrancher l'outil.



4. Déplacez la broche vers le haut pour que la fraise et la broche centrale arrivent au-dessus de la surface de travail.

AVERTISSEMENT!

Pour réduire les risques de blessures, ne tenez pas la pièce avec les mains.

5. Positionnez l'outil pour que la broche centrale soit directement en-dessus l'emplacement de coupe. Placez le commutateur de l'aimant à la position « Marche » (ON). Le voyant de l'aimant va s'allumer.

AVERTISSEMENT!

Pour réduire les risques de blessures, utilisez toujours une sangle de sécurité lorsque vous percez à la verticale ou sur une surface verticale.

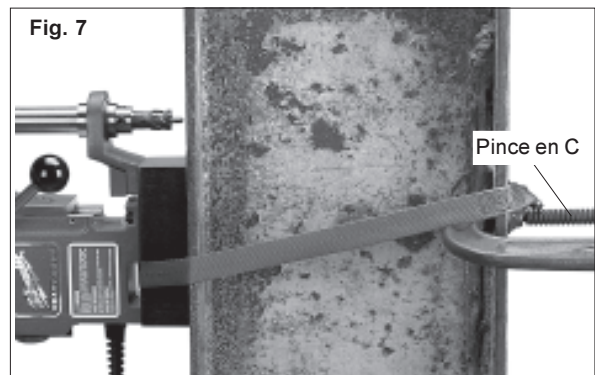
6. Utilisez une sangle de sécurité lors d'un travail à la verticale (Fig. 7).

A. Acheminez la sangle de sécurité, le côté avec anneaux d'abord, dans la fente inférieure, et enroulez-la bien serrée autour d'une structure rigide et solide, tel qu'illustré. Vérifiez que la sangle n'est pas entortillée.

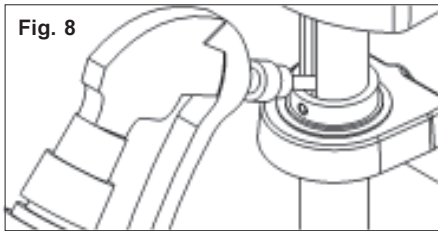
B. Accrochez le crochet mousqueton, fourni avec la sangle de sécurité, à l'anneau. Éliminez tout jeu dans la sangle.

C. Si vous utilisez une surface verticale, fixez solidement la sangle de sécurité avec une pince en C ou un autre appareil du même type. Cette méthode permettra de maintenir la sangle bien en place et d'éviter que l'outil ne glisse vers le bas le long de la surface verticale.

NB : N'appliquez pas la pince sur la sangle. Ceci pourrait endommager la sangle et entraîner sa rupture (Fig. 7).



7. Lorsque le commutateur est à la position « Arrêt » (OFF), remplissez le réservoir de fluide de coupe à travers les fentes de la broche de la perceuse (Fig. 8).



Le réservoir de fluide de coupe se vide à mesure que la broche centrale entre en contact avec la surface de travail. Lors de l'entaillage ou du rainurage, il faut vaporiser du fluide de coupe directement sur la fraise et sur la pièce avec la pompe à main qui est fournie. Gardez la pompe à main à une distance sécuritaire des pièces mobiles. Une utilisation inadéquate de lubrifiant endommagera la fraise.

Il est recommandé d'utiliser le fluide de coupe HAWG WASH® pour prolonger la vie de ces fraises. L'opérateur est responsable de l'application de lubrifiants autres que le fluide de coupe HAWG WASH®.

N'utilisez pas de fluides de coupe dans des applications à la verticale. Il est recommandé d'utiliser uniquement des pâtes lubrifiantes ou des vaporisateurs pour les coupes à haute vitesse. Ne laissez pas des pâtes ou des vapeurs lubrifiantes entrer dans l'outil.

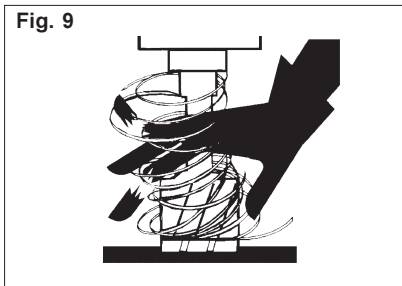
8. Démarrez le moteur de la perceuse en plaçant le commutateur de marche/arrêt à la position « Marche » (ON).



AVERTISSEMENT!

Pour réduire les risques de blessure, gardez les mains, les chiffons, les vêtements etc., loin des pièces mobiles et des copeaux. N'essayez pas d'enlever les copeaux pendant que la perceuse tourne. Les copeaux sont tranchants et peuvent attirer les objets dans les pièces mobiles (voir Fig. 9).

Fig. 9



10. Ces appareils ont un ratio d'alimentation de 8:1, c.-à-d. que chaque livre de pression appliquée sur la poignée crée huit livres de pression sur le point de perçage. Même les grands forets n'exigent que peu de pression à partir de la poignée. Exemple : 20 livres appliquées sur la poignée créent 160 livres sur le point de perçage.

À mesure que vous engagez la fraise dans le matériau, appliquez juste assez de force pour produire un copeau frisé. Si vous appliquez trop peu de force vous produirez des copeaux brisés et augmenterez votre temps de coupe. Si vous appliquez trop de force vous provoquerez de la surchauffe et réduirez la durée de vie utile de la fraise. Lorsque la fraise et les copeaux tournent au bleu, la fraise surchauffe. L'application d'une force excessive peut réduire la vitesse de la fraise au point d'augmenter le temps de coupe. L'utilisation de fluides de coupe réduit la chaleur produite par la coupe et accroît la vie utile de la fraise.

Appliquez moins de pression lors de l'entaillage ou du rainurage, car ils permettent moins de support pour les rebords de la coupe.



AVERTISSEMENT!

L'application d'une force excessive provoquera la relâche des aimants.

10. Maintenez une pression constante pendant toute la coupe afin d'éviter que les copeaux et les bavures ne tombent des rebords de coupe. Les débris de coupe sous la fraise peuvent rendre difficile ou même empêcher le fraisage.
11. Une fois la coupe terminée, enlevez la fraise tandis que la broche de la perceuse tourne encore.
12. Arrêtez le moteur de la perceuse en plaçant le commutateur de marche/arrêt à la position « Arrêt » (OFF).
13. Lorsque la broche de la perceuse a fini de tourner, servez vous d'une paire de pinces pour couper les débris et les copeaux autour de la fraise et de la broche. Travaillez avec prudence pour éviter d'endommager les dents de la fraise.
14. Si la débouchure est encore dans la fraise, faites tourner la poignée de manœuvre à la position la plus haute pour l'éjecter de la fraise. La broche du centre est munie d'un ressort, ce qui protège les personnes et les équipements en dessous de la zone de coupe contre les blessures ou les dommages.
15. Veillez à maintenir fermement l'outil avant de mettre l'aimant hors tension.

Placez le commutateur de l'aimant à la position de « Arrêt » (OFF). Le voyant de l'aimant va s'éteindre.

MAINTENANCE



AVERTISSEMENT!

Pour minimiser les risques de blessures, débranchez toujours l'outil avant d'y effectuer des travaux de maintenance. Ne faites pas vous-même le démontage de l'outil ni le rebobinage du système électrique. Consultez un centre de service **MILWAUKEE** accrédité pour toutes les réparations.

Entretien de l'outil

Gardez l'outil en bon état en adoptant un programme d'entretien ponctuel. Avant de vous en servir, examinez son état en général. Inspectez-en la garde, interrupteur, cordon et cordon de rallonge pour en déceler les défauts. Vérifiez le serrage des vis, l'alignement et le jeu des pièces mobiles, les vices de montage, bris de pièces et toute autre condition pouvant en rendre le fonctionnement dangereux. Si un bruit ou une vibration insolite survient, arrêtez immédiatement l'outil et faites-le vérifier avant de vous en servir de nouveau. N'utilisez pas un outil défectueux. Fixez-y une étiquette marquée « HORS D'USAGE » jusqu'à ce qu'il soit réparé (voir « Réparations »).

Normalement, il ne sera pas nécessaire de lubrifier l'outil avant que le temps ne soit venu de remplacer les balais. Après une période pouvant aller de 6 mois à un an, selon l'usage, retournez votre outil à un centre de service **MILWAUKEE** accrédité pour obtenir les services suivants :

- Lubrification
- Inspection et remplacement des balais
- Inspection et nettoyage de la mécanique (engrenages, pivots, coussinets, boîtier etc.)
- Inspection électrique (interrupteur, cordon, induit etc.)
- Vérification du fonctionnement électromécanique



AVERTISSEMENT!

Pour minimiser les risques de blessures, choc électrique et dommage à l'outil, n'immergez jamais l'outil et ne laissez pas de liquide s'y infiltrer.

Nettoyage

Débarrassez les événements des débris et de la poussière. Gardez les poignées de l'outil propres, à sec et exemptes d'huile ou de graisse. Le nettoyage de l'outil doit se faire avec un linge humide et un savon doux. Certains nettoyants tels l'essence, la térébenthine, les diluants à laque ou à peinture, les solvants chlorés, l'ammoniaque et les détergents d'usage domestique qui en contiennent pourraient détériorer le plastique et l'isolation des pièces. Ne laissez jamais de solvants inflammables ou combustibles auprès des outils.

Réparations

Si votre outil est endommagé, retournez l'outil entier au centre de maintenance le plus proche.

ACCESSOIRES



AVERTISSEMENT!

Pour minimiser les risques de blessures, débranchez toujours l'outil avant d'y installer ou d'en enlever les accessoires. L'emploi d'accessoires autres que ceux qui sont expressément recommandés pour cet outil peut présenter des risques.

Pour une liste complète des accessoires, prière de se reporter au catalogue **MILWAUKEE** Electric Tool ou visiter le site internet www.milwaukeetool.com. Pour obtenir un catalogue, il suffit de contacter votre distributeur local ou l'un des centres-service.

Sangle de sécurité 1,2 m (4 ft).

No de Cat. 48-58-0090

Fluide de coupe HAWG WASH®

Caisse de douze bouteilles de 0,45 L (16 oz.) qui donnent 3,8 L (1 gal) par bouteille.

No de Cat. 49-32-0081

Pompe à main HAWG WASH®

No de Cat. 44-46-0090

Adaptateur de mandrin de 13 mm (1/2")

Inclut également un mandrin et une clé pour mandrin.

No de Cat. 48-66-2125

GARANTIE LIMITÉE DE L'OUTIL DE CINQ ANS

Tous les outils **MILWAUKEE** sont testés avant de quitter l'usine et sont garantis exempts de vice de matériau ou de fabrication. **MILWAUKEE** réparera ou remplacera (à la discrétion de **MILWAUKEE**), sans frais, tout outil (y compris les chargeurs de batterie) dont l'examen démontre le caractère défectueux du matériau ou de la fabrication dans les cinq (5) ans suivant la date d'achat. Retourner l'outil et une copie de la facture ou de toute autre preuve d'achat à une branche Entretien usine/Assistance des ventes de l'établissement **MILWAUKEE** ou à un centre d'entretien agréé par **MILWAUKEE**, en port payé et assuré. Cette garantie ne couvre pas les dommages causés par les réparations ou les tentatives de réparation par quiconque autre que le personnel agréé par **MILWAUKEE**, les utilisations abusives, l'usure normale, les carences d'entretien ou les accidents.

Les batteries, les lampes de poche et les radios sont garanties pour un (1) an à partir de la date d'achat.

LES SOLUTIONS DE RÉPARATION ET DE REMPLACEMENT DÉCRITES PAR LES PRÉSENTES SONT EXCLUSIVES. **MILWAUKEE** NE SAURAIT ÊTRE RESPONSABLE, EN AUCUNE CIRCONSTANCE, DES DOMMAGES ACCESSOIRES, SPÉCIAUX OU INDIRECTS, Y COMPRIS LES MANQUES À GAGNER.

CETTE GARANTIE EST EXCLUSIVE ET REMPLACE TOUTES LES AUTRES GARANTIES OU CONDITIONS, ÉCRITES OU ORALES, EXPRESSES OU TACITES DE QUALITÉ MARCHANDE OU D'ADAPTATION À UNE UTILISATION OU UNE FIN PARTICULIÈRE.

Cette garantie vous donne des droits particuliers. Vous pouvez aussi bénéficier d'autres droits variant d'un état à un autre et d'une province à une autre. Dans les états qui n'autorisent pas les exclusions de garantie tacite ou la limitation des dommages accessoires ou indirects, les limitations ou exclusions ci-dessus peuvent ne pas s'appliquer. Cette garantie s'applique aux États-Unis, au Canada et au Mexique uniquement.

REGLAS DE SEGURIDAD GENERALES PARA HERRAMIENTAS ELÉCTRICAS



¡ADVERTENCIA!

LEA TODAS LAS INSTRUCCIONES

Si no se siguen todas las siguientes instrucciones se puede provocar una descarga eléctrica, un incendio y/o lesiones graves. El término "herramienta eléctrica" en todas las advertencias incluidas más abajo se refiere a su herramienta operada por conexión (cable) a la red eléctrica o por medio de una batería (inalámbrica).

GUAORDE ESTAS INSTRUCCIONES

SEGURIDAD EN EL ÁREA DE TRABAJO

1. **Mantenga limpia y bien iluminada el área de trabajo.** Las áreas desordenadas u oscuras contribuyen a que se produzcan accidentes.
2. **No utilice herramientas eléctricas en atmósferas explosivas, como en la presencia de líquidos, gases o polvo inflamables.** Las herramientas eléctricas crean chispas que pueden incendiar el polvo o las emanaciones.
3. **Mantenga a los niños y otras personas alejadas mientras utiliza una herramienta eléctrica.** Las distracciones pueden hacerle perder el control.

SEGURIDAD ELÉCTRICA

4. **Los enchufes de las herramientas eléctricas deben ser del mismo tipo que el tomacorrientes.** Nunca realice ningún tipo de modificación en el enchufe. **No use enchufes adaptadores con herramientas eléctricas con conexión a tierra.** Se reducirá el riesgo de descarga eléctrica si no se modifican los enchufes y los tomacorrientes son del mismo tipo.
5. **Evite el contacto corporal con superficies con conexión a tierra, como tuberías, radiadores, estufas y refrigeradores.** El riesgo de descarga eléctrica aumenta si su cuerpo está conectado a tierra.
6. **No exponga la herramientas eléctricas a la lluvia o a condiciones de humedad.** El agua que entra en una herramienta eléctrica aumenta el riesgo de descarga eléctrica.
7. **No abuse del cable.** Nunca use el cable para transportar la herramienta eléctrica, tirar de ella o desenchufarla. **Mantenga el cable alejado del calor, los bordes afilados o las piezas en movimiento.** Los cables dañados o enmarañados aumentan el riesgo de descarga eléctrica.
8. **Cuando se utiliza una herramienta eléctrica en el exterior, use una extensión que sea apropiada para uso en el exterior.** El uso de un cable apropiado para el exterior reduce el riesgo de descarga eléctrica.

SEGURIDAD PERSONAL

9. **Manténgase alerta, ponga cuidado a lo que está haciendo y use el sentido común cuando utilice una herramienta eléctrica.** **No use una herramienta eléctrica cuando está cansado o bajo la influencia de drogas, alcohol o medicinas.** Desprestarse un minuto cuando se utiliza una herramienta eléctrica puede tener como resultado lesiones personales graves.
10. **Use equipo de seguridad.** Lleve siempre protección ocular. Llevar equipo de seguridad apropiado para la situación, como una máscara antipolvo, zapatos de seguridad antideslizantes casco o protección auditiva, reducirá las lesiones personales.
11. **Evite los arranques accidentales.** Asegúrese de que el interruptor esté en la posición de apagado antes de enchufar la herramienta. Mover herramientas con el dedo en el interruptor o enchufar herramientas con el interruptor en la posición de encendido contribuye a que se produzcan accidentes.
12. **Quite todas las llaves de ajuste antes de encender la herramienta.** Una llave que esté acoplada a una pieza giratoria de la herramienta puede provocar lesiones personales.

13. **No se estire demasiado.** Mantenga los pies bien asentados y el equilibrio en todo momento. Esto permite tener mejor control de la herramienta eléctrica en situaciones inesperadas.
14. **Vístase de manera apropiada.** No lleve ropa suelta ni joyas. Mantenga el cabello, la ropa y los guantes lejos de la piezas en movimiento. La ropa floja, las joyas o el cabello largo pueden quedar atrapados en las piezas en movimiento.
15. **Si se proporcionan dispositivos para la conexión de sistemas de recolección y extracción de polvo, asegúrese de que estén conectados y se usen apropiadamente.** El uso de estos dispositivos puede reducir los peligros relacionados con el polvo.

USO Y CUIDADO DE LAS HERRAMIENTAS ELÉCTRICAS

16. **No fuerce la herramienta eléctrica.** Use la herramienta eléctrica correcta para la aplicación. La herramienta eléctrica correcta funcionará mejor y de manera más segura a la velocidad para la que se diseñó.
17. **No use la herramienta eléctrica si el interruptor no la enciende ni la apaga.** Cualquier herramienta eléctrica que no se pueda controlar con el interruptor es peligrosa y se debe reparar.
18. **Desconecte el enchufe de la toma de alimentación y/o la batería de la herramienta eléctrica antes de realizar cualquier ajuste, cambiar accesorios o almacenar las herramientas eléctricas.** Dichas medidas preventivas de seguridad reducen el riesgo de que la herramienta se prenda accidentalmente.
19. **Almacene las herramientas eléctricas fuera del alcance de los niños y no permita que personas no familiarizadas con ellas o estas instrucciones las utilicen.** Las herramientas eléctricas son peligrosas en las manos de usuarios no capacitados.
20. **Mantenimiento de las herramientas eléctricas.** Revise que no haya piezas móviles que estén desalineadas o que se atasquen, piezas rotas ni ninguna otra condición que pueda afectar el funcionamiento de la herramienta eléctrica. Si se encuentran daños, haga que le reparen la herramienta antes de usarla. Las herramientas mal mantenidas son la causa de muchos accidentes.
21. **Mantenga las herramientas de corte limpias y afiladas.** Es menos probable que se atasquen las herramientas de corte con filos afilados que se mantienen de manera apropiada y también son más fáciles de controlar.
22. **Use la herramienta eléctrica, los accesorios y las brocas, etc. siguiendo estas instrucciones y de la manera para la que dicha herramienta eléctrica en particular fue diseñada, teniendo en cuenta las condiciones de trabajo y la tarea que se va a realizar.** El uso de la herramienta eléctrica para operaciones diferentes de aquellas para las que se diseño podría resultar en una situación peligrosa.

MANTENIMIENTO







23. **Haga que un técnico calificado realice el mantenimiento de la herramienta eléctrica utilizando solamente piezas de repuesto idénticas.** Esto asegurará que se mantiene la seguridad de la herramienta eléctrica.

REGLAS ESPECIFICAS DE SEGURIDAD POR PRENSA TALADRADORA ELECTROMAGNETICA

1. **Siempre use una amarra de seguridad cuando taladre superficies elevadas o superficies verticales (consulte "Amarra de Seguridad" en la sección "Operación").** El montaje puede liberarse.
2. **Limpie la superficie antes de acoplar el soporte del taladro a la superficie de trabajo.** La pintura, el óxido, las incrustaciones o las superficies irregulares disminuyen el poder de sujeción del imán. Las virutas, las rebabas, el polvo y otro tipo de materia extraña en la superficie de la base del imán pueden también disminuir el poder de sujeción.
3. **No acople la base magnética a acero inoxidable de grado no magnético.** La base magnética NO sujetará ningún objeto. La prensa taladradora electromagnética se acopla magnéticamente a material ferroso de 9,5 mm (3/8") o más grueso. No la utilice en material de menor grosor.
4. **Las conexiones en húmedo producen sacudidas eléctricas.** Si el enchufe o las conexiones se mojan, desconecte la energía del receptáculo antes de desenchufar la unidad. Evite que el lubricante de corte se derrame por el cordón y entre en contacto con el receptáculo, las conexiones del cordón prolongador o el enchufe de la herramienta. Cada vez que se enchufe la herramienta, levante el cordón prolongador o acople las conexiones de la caja y prepare un desvío para el goteo.
5. **Lleve protectores auditivos cuando use la broca de impacto.** La exposición a ruido puede producir la pérdida de la audición.
6. **Agarre la herramienta por los asideros aislados cuando realice una operación en la que la herramienta de corte pueda entrar en contacto con cables ocultos o con su propio cable.** El contacto con un cable "con corriente" hará que las partes de metal expuesto de la herramienta pasen la corriente y produzcan una descarga al operador.
7. **Guardé las etiquetas y placas de especificaciones.** Éstas tienen información importante. Si son ilegibles o si no se pueden encontrar, póngase en contacto con un centro de servicio de **MILWAUKEE** para una refacción gratis.
8. **¡ADVERTENCIA!** Algunas partículas de polvo resultantes del lijado mecánico, aserrado, esmerilado, taladrado y otras actividades relacionadas a la construcción, contienen sustancias químicas que se sabe ocasionan cáncer, defectos congénitos u otros daños al aparato reproductivo. A continuación se citan algunos ejemplos de tales sustancias químicas:
 - plomo proveniente de pinturas con base de plomo
 - sílice cristalino proveniente de ladrillos, cemento y otros productos de albañilería y
 - arsénico y cromo provenientes de madera químicamente tratada.

El riesgo que usted sufre debido a la exposición varía dependiendo de la frecuencia con la que usted realiza estas tareas. Para reducir la exposición a estas sustancias químicas: trabaje en un área bien ventilada, y utilice equipo de seguridad aprobado como, por ejemplo, máscaras contra el polvo que hayan sido especialmente diseñadas para filtrar partículas microscópicas.
9. **Amarra de Seguridad**
 - A. No utilice cerca de ácidos o agentes blanqueadores.
 - B. No utilice para efectuar levantamientos por encima de la cabeza.
 - C. No utilice la amarra si la malla ha sufrido cortes.
 - D. La malla debe quedar protegida de los bores afilados.
 - E. Todos los accesorios deben colocarse en línea con la dirección del tiro para la capacidad nominal.

Simbología

	Volts de corriente alterna		Underwriters Laboratories, Inc.
	Amperios		Asociación de Normativas Canadienses
	Doble aislamiento		¡PELIGRO! A fin de reducir el riesgo de lesionarse, mantenga siempre las manos, los trapos, la ropa, etc. alejados de las partes móviles y de las virutas. No trate de remover las virutas mientras la cortadora esté girando. Las virutas son afiladas y pueden tirar de objetos hacia las partes móviles.
n° xxxx/min.	Revoluciones por minuto sin carga (RPM)		

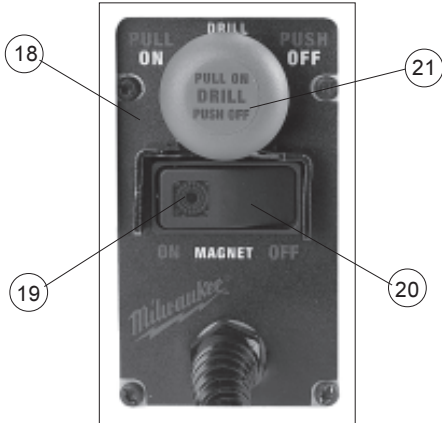
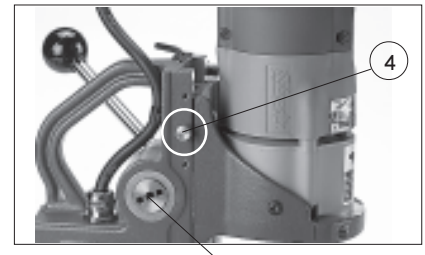
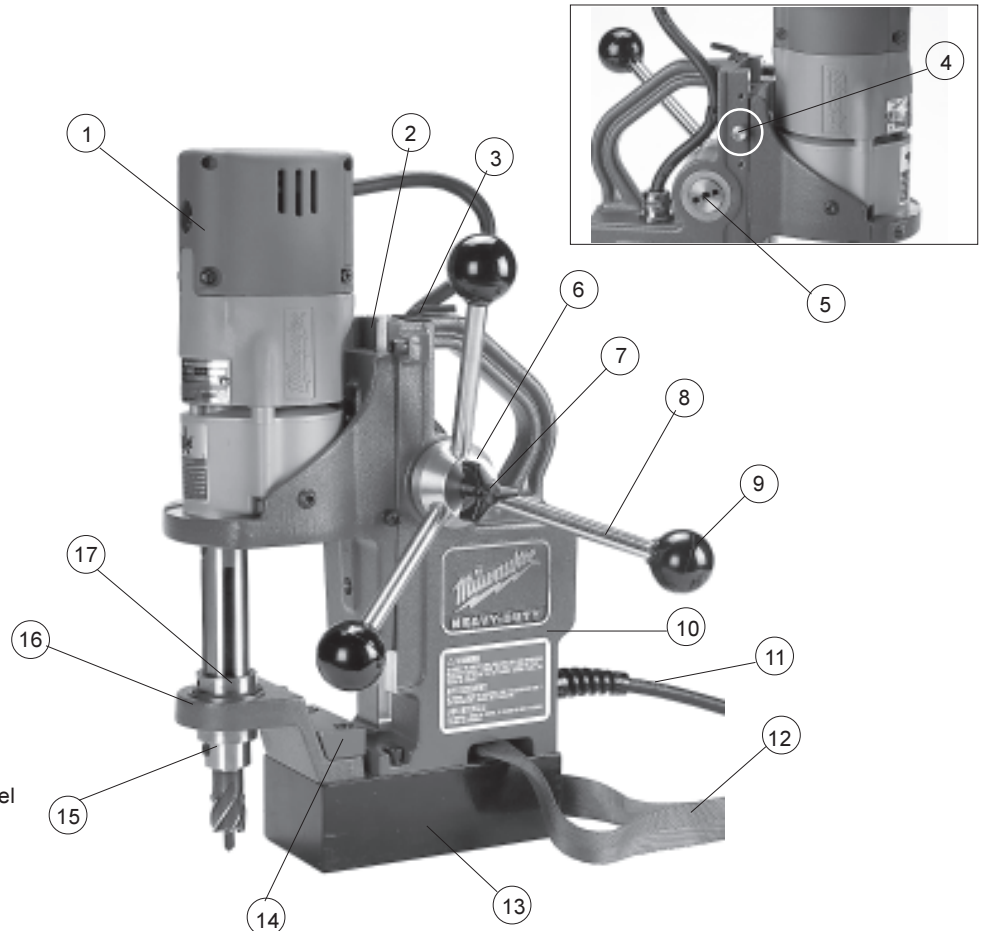
Especificaciones

Cat. No.	Volts de ca	Amperios	rpm sin carga	Diámetro interior del husillo	*Broca helicoidal	HSS Cutter
4270-20	120	9,0	450	19 mm (3/4")	13 mm (1/2")	38 mm (1-1/2")

*Requiere el uso de un adaptador para portabrocas de 13 mm (1/2"), consulte la sección "Accesorios".

DESCRIPCION FUNCIONAL

1. Motor del taladro
2. Guía de deslizamiento
3. Almacenamiento para la llave
(incluye llaves hexagonales de 3/32" y 3/16")
4. Perilla de tope
5. Piñón
6. Anillo central
7. Tornillo del mango
8. Mango de avance
9. Agarre
10. Alojamiento
11. Cordón
12. Amarra de seguridad
13. Base magnética
14. Espaciador
15. Husillo del taladro
16. Abrazadera de soporte
17. Depósito del lubricante de corte
18. Panel de control
19. Luz indicadora del imán
20. Interruptor del imán
21. Interruptor de encendido/apagado del taladro
22. Bomba de mano



CARACTERISTICAS

Bloqueo de Línea

El bloqueo de línea evita que el motor del taladro arranque cuando se aplica potencia de línea al sistema por primera vez o luego de una pérdida momentánea de potencia. Para restablecer la herramienta, gire el interruptor del imán a la posición "OFF" y el interruptor de encendido/apagado del taladro a la posición "OFF".

Enclavamiento del Motor/Imán

El enclavamiento del motor/imán es una característica que evita la aplicación de potencia al motor del taladro cuando el imán no se encuentra energizado. El enclavamiento del motor/imán evita además que el imán se desenergice mientras el motor se encuentra en marcha.

TIERRA



¡ADVERTENCIA!

Puede haber riesgo de descarga eléctrica si se conecta el cable de conexión de puesta a tierra incorrectamente. Consulte con un electricista certificado si tiene dudas respecto a la conexión de puesta a tierra del tomacorriente. No modifique el enchufe que se proporciona con la herramienta. Nunca retire la clavija de conexión de puesta a tierra del enchufe. No use la herramienta si el cable o el enchufe está dañado. Si está dañado antes de usarlo, llévelo a un centro de servicio **MILWAUKEE** para que lo reparen. Si el enchufe no se acopla al tomacorriente, haga que un electricista certificado instale un tomacorriente adecuado.

Herramientas con conexión a tierra:

Herramientas con enchufes de tres clavijas

Las herramientas marcadas con la frase "Se requiere conexión de puesta a tierra" tienen un cable de tres hilos y enchufes de conexión de puesta a tierra de tres clavijas. El enchufe debe conectarse a un tomacorriente debidamente conectado a tierra (véase la Figura A). Si la herramienta se avería o no funcionara correctamente, la conexión de puesta a tierra proporciona un trayecto de baja resistencia para desviar la corriente eléctrica de la trayectoria del usuario, reduciendo de este modo el riesgo de descarga eléctrica.

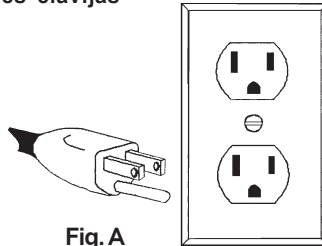


Fig. A

La clavija de conexión de puesta a tierra en el enchufe está conectada al sistema de conexión de puesta a tierra de la herramienta a través del hilo verde dentro del cable. El hilo verde debe ser el único hilo conectado al sistema de conexión de puesta a tierra de la herramienta y nunca se debe unir a una terminal energizada.

Su herramienta debe estar enchufada en un tomacorriente apropiado, correctamente instalado y conectado a tierra según todos los códigos y reglamentos. El enchufe y el tomacorriente deben asemejarse a los de la Figura A.

Herramientas con doble aislamiento:

Herramientas con clavijas de dos patas

Las herramientas marcadas con "Doble aislamiento" no requieren conectarse "a tierra". Estas herramientas tienen un sistema aislante que satisface los estándares de OSHA y llena los estándares aplicables de UL (Underwriters Laboratories, Inc.), de la Asociación Canadiense de Estándares (CSA) y el Código Nacional de Electricidad. Las herramientas con doble aislamiento pueden ser usadas en cualquiera de los toma corriente de 120 Volt mostrados en las Figuras B y C.

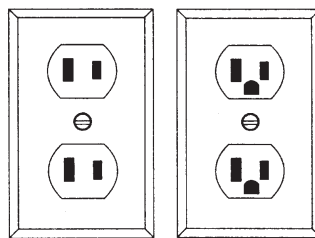


Fig. B

Fig. C

EXTENSIONES ELÉCTRICAS

Las herramientas que deben conectarse a tierra cuentan con clavijas de tres patas y requieren que las extensiones que se utilicen con ellas sean también de tres cables. Las herramientas con doble aislamiento y clavijas de dos patas pueden utilizarse indistintamente con extensiones de dos a tres cables. El calibre de la extensión depende de la distancia que exista entre la toma de la corriente y el sitio donde se utilice la herramienta. El uso de extensiones inadecuadas puede causar serias caídas en el voltaje, resultando en pérdida de potencia y posible daño a la herramienta. La tabla que aquí se ilustra sirve de guía para la adecuada selección de la extensión.

Mientras menor sea el número del calibre del cable, mayor será la capacidad del mismo. Por ejemplo, un cable calibre 14 puede transportar una corriente mayor que un cable calibre 16. Cuando use más de una extensión para lograr el largo deseado, asegúrese que cada una tenga al menos, el mínimo tamaño de cable requerido. Si está usando un cable de extensión para más de una herramienta, sume los amperes de las varias placas y use la suma para determinar el tamaño mínimo del cable de extensión.

Guías para el uso de cables de extensión

- Si está usando un cable de extensión en sitios al aire libre, asegúrese que está marcado con el sufijo "W-A" ("W" en Canadá) el cual indica que puede ser usado al aire libre.
- Asegúrese que su cable de extensión está correctamente cableado y en buenas condiciones eléctricas. Cambie siempre una extensión dañada o hágala reparar por una persona calificada antes de volver a usarla.
- Proteja su extensión eléctrica de objetos cortantes, calor excesivo o áreas mojadas.

Calibre mínimo recomendado para cables de extensiones eléctricas*

Amperios (En la placa)	Largo de cable de Extensión en (m)					
	7,6	15,2	22,8	30,4	45,7	60,9
0 - 5,0	16	16	16	14	12	12
5,1 - 8,0	16	16	14	12	10	--
8,1 - 12,0	14	14	12	10	--	--
12,1 - 15,0	12	12	10	10	--	--
15,1 - 20,0	10	10	10	--	--	--

* Basado en limitar la caída en el voltaje a 5 volts al 150% de los amperios.

LEA Y GUARDE TODAS LAS INSTRUCCIONES PARA FUTURAS REFERENCIAS.



¡ADVERTENCIA!

A fin de reducir el riesgo de lesionarse, desenchufe siempre la herramienta antes de colocar o retirar accesorios, o de realizar ajustes. Utilice únicamente accesorios específicamente recomendados. El uso de accesorios no recomendados podría resultar peligroso.

Colocación de los Mangos de Avance y Agarres (Fig. 1)



1. Ensamble los mangos de avance y los agarres en el anillo central. Apriete bien.
2. Para instalar el anillo central en cualquiera de los lados, alinee las dos (2) clavijas en el anillo central con los orificios en el piñón. Apriete el tornillo del mango.

Perilla de Tope (Fig. 2)

La perilla de tope ha sido diseñada para evitar que la guía de deslizamiento se corra.

Para instalarla, atornille la perilla de tope en la ubicación que se muestra (Fig. 2).



Ajuste del Conjunto de la Contrachaveta (Fig. 3)

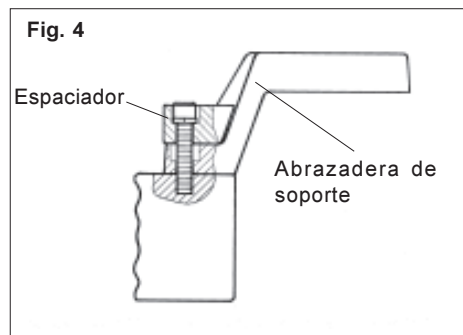


Para ajustar la contrachaveta, afloje o apriete los tornillos de fijación de ajuste de la contrachaveta en el lado del alojamiento de apoyo, según corresponda, con la llave hexagonal de 3/32" suministrada. El apriete de los tornillos de fijación aumenta la fricción en la guía de deslizamiento. La contrachaveta debe apretarse lo suficiente para que pueda soportar el peso del taladro en cualquier posición. Todos los tornillos de fijación deben ajustarse de manera que proporcionen un recorrido liso y parejo durante toda la trayectoria de la guía de deslizamiento.

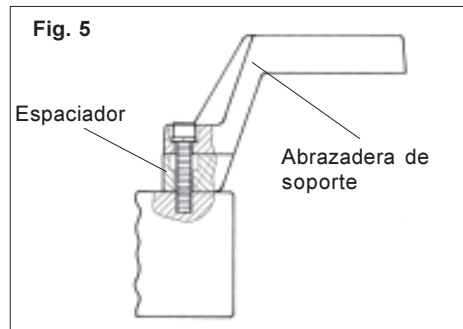
Los tornillos de fijación incluyen un parche de nylon que evita que los mismos se muevan libremente. Podría ser necesario ajustar la chaveta ocasionalmente dado el uso prolongado de la herramienta.

Ajuste de la Abrazadera de Soporte y el Espaciador para Profundidad de Corte (Figs. 4 y 5)

Esta unidad viene ajustada de fábrica para uso en cortadoras de 25 mm (1") de profundidad (Fig. 4).



Cuando utilice cortadoras de 50 mm (2") de profundidad, instale la abrazadera de soporte con el espaciador en la parte inferior, tal como se muestra en la Fig. 5.



NOTA: No use un espaciador y una abrazadera de soporte con un adaptador de mandril.



¡ADVERTENCIA!

A fin de reducir el riesgo de lesionarse, use anteojos de seguridad con protección lateral.

Operación Típica

1. Revise a superficie de trabajo para asegurarse que esté limpia y libre de materia extraña.

La pintura, el óxido, las incrustaciones o las superficies irregulares disminuyen el poder de sujeción del imán. Las virutas, las rebabas, el polvo y otro tipo de materia extraña en la superficie de la base magnética pueden también disminuir el poder de sujeción. Use una lima lisa y plana para mantener el imán limpio y libre de ranuras.

La prensa taladradora electromagnética se acopla magnéticamente a material ferroso de 9,5 mm (3/8") o más grueso. No la utilice en material de menor grosor. La base magnética NO se fijará a acero inoxidable de grado no magnético.

2. Para instalar/extraer la cortadora:
 - A. Eleve el motor del taladro a su posición más alta. Apriete la perilla de tope
 - B. Inserte la cortadora en el husillo del taladro con las dos (2) caras planas de la cortadora alineadas con los tornillos de fijación. Asegúrese que el perno central se encuentre insertado en la cortadora.

NOTA: La cortadora debe quedar completamente asentada en el husillo del taladro.

- C. Apriete los tornillos de fijación con la llave hexagonal de 3/16" suministrada.
- D. Afloje la perilla de tope.
- E. Invierta el procedimiento para extraer la cortadora.

NOTA: No extraiga la cortadora a menos que se haya removido el relantizador. El mismo puede eyectarse inesperadamente.

Evite el contacto con las puntas de la cortadora. Inspeccione periódicamente las puntas de la cortadora para asegurarse que no estén sueltas o dañadas.

3. Enchufe la herramienta en la fuente de alimentación.



¡ADVERTENCIA!

- No utilice lubricante de corte en una superficie elevada o en posiciones que permitan que el lubricante entre al motor o a la caja del interruptor.
- Las conexiones en húmedo producen sacudidas eléctricas. Evite que el lubricante de corte se derrame por el cordón y entre el contacto con el receptáculo, las conexiones del cordón prolongador o el enchufe de la herramienta. Cada vez que se enchufe la herramienta, levante el cordón prolongador o acople las conexiones de la caja y prepare un desvío para el goteo (vea la Fig. 6). Si el enchufe o las conexiones se mojan, desconecte la energía del receptáculo antes de desenchufar la unidad.

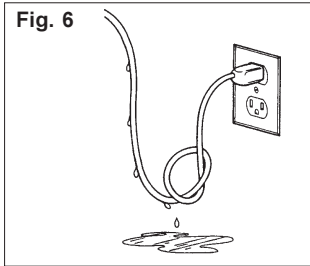


Fig. 6

4. Levante el husillo de manera que la cortadora y el perno central queden por encima de la superficie de trabajo.



¡ADVERTENCIA!

A fin de reducir el riesgo de lesionarse, no sujete la pieza de trabajo con la mano.

5. Coloque la herramienta de manera que el perno central quede directamente sobre la ubicación de corte deseada. Lleve el interruptor del imán a la posición "ON". La luz indicadora del imán se encenderá.



¡ADVERTENCIA!

A fin de reducir el riesgo de lesionarse, siempre use una amarra de seguridad cuando taladre superficies elevadas o superficies verticales.

6. Use una amarra de seguridad cuando trabaje en superficies elevadas o superficies verticales (Fig. 7).
 - A. Pase la amarra de seguridad, el lado con el anillo primero, a través de la ranura inferior, y envuélvala bien alrededor de una estructura sólida y rígida, tal como se muestra. Asegúrese que la amarra no esté torcida.
 - B. Asegure al anillo el gancho de cierre instantáneo de la amarra de seguridad suministrado con la herramienta. Elimine cualquier huelgo en la amarra.
 - C. Cuando trabaje en superficies verticales, sujete la amarra de seguridad con una abrazadera en C o dispositivo similar. Ésta mantendrá la amarra en su posición y evitará que la herramienta se deslice hacia abajo a través de la superficie vertical.

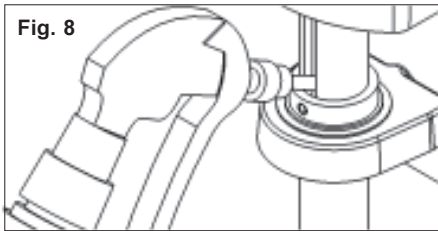
NOTA: No sujete a la amarra. Esto podría dañar la amarra y ocasionar que se rompa (Fig. 7).



Fig. 7

Abrazadera en C

7. Con el interruptor de encendido/apagado del taladro en la posición "OFF", llene el depósito del lubricante de corte con lubricante de corte a través de las ranuras en el husillo del taladro (Fig. 8).



El depósito del lubricante de corte se vaciará cuando el perno central entre en contacto con la superficie de trabajo. Cuando haga muescas o ranuras, es necesario rociar lubricante de corte directamente en la cortadora y la pieza de trabajo con la bomba de mano suministrada. Mantenga la bomba de mano alejada de las partes móviles. Si no utiliza el lubricante de forma correcta ocasionará daños a la cortadora.

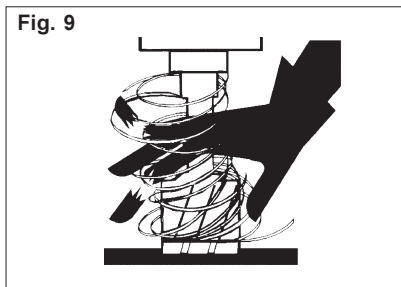
Se recomienda el uso de lubricante de corte HAWG WASH® para prolongar la vida útil de las cortadoras. El operador es responsable de la aplicación de lubricantes diferentes al lubricante de corte HAWG WASH®.

En aplicaciones de corte superior o vertical, no utilice lubricantes de corte. Utilice únicamente lubricantes en pasta o rociador recomendados para corte a alta velocidad. No permita que los lubricantes en pasta o rociador entren en la herramienta.

8. Ponga en marcha el motor del taladro colocando el interruptor de encendido/apagado del taladro en la posición "ON".



A fin de reducir el riesgo de lesionarse, mantenga siempre las manos, los trapos, la ropa, etc. alejados de las partes móviles y de las virutas. No trate de remover las virutas mientras la cortadora esté girando. Las virutas son afiladas y pueden tirar de objetos hacia las partes móviles (vea la Fig. 9).



9. Estas unidades tienen un radio de avance de 8:1: es decir, por cada libra aplicada al mango, se crean ocho libras en la punta del taladro. Incluso brocas grandes requieren únicamente una pequeña cantidad de presión en el mango. Ejemplo: 20 Libras en el mango crean 160 Libras en la punta del taladro.

Cuando haga avanzar la cortadora en el material, aplique únicamente la fuerza suficiente para producir una viruta rizada. Aplicar muy poca fuerza producirá pequeñas virutas rotas y aumento en el tiempo de corte. Aplicar demasiada fuerza producirá el sobrecalentamiento de la cortadora, y reducirá la vida útil de la unidad. El sobrecalentamiento de la cortadora puede observarse cuando las virutas se tornan color marrón o azul. La fuerza excesiva puede causar que la cortadora decelere hasta el punto en que el tiempo de corte aumente. El uso de lubricantes de corte puede reducir el calentamiento y aumentar la vida útil de la cortadora.

Utilice menos fuerza de avance cuando haga ranuras o muescas porque en estas situaciones el soporte para los bordes de corte es más limitado.



El uso excesivo de fuerza liberará el imán.

10. Mantenga la presión constante durante toda la operación para evitar que virutas y rebabas caigan debajo de los bordes de corte. Los restos de material de corte debajo de la cortadora pueden dificultar o imposibilitar el corte.
11. Cuando finalice el corte, retire la cortadora mientras el husillo del taladro continúe girando.
12. Detenga el motor del taladro colocando el interruptor de encendido/apagado del taladro en la posición "OFF".
13. Cuando el husillo del taladro haya dejado de girar, utilice pinzas para retirar los restos de material de corte y las virutas de la cortadora y del husillo. Hágalo con cuidado para evitar dañar los dientes de la cortadora.
14. Si el ralentizador se encuentra aún en la cortadora, gire el mango de avance a la posición más elevada. Esto eyectará el ralentizador de la cortadora.

El perno central es accionado por resorte. Proporcione una protección adecuada contra el ralentizador eyectado para las personas y los objetos que se encuentren debajo del área de corte.

15. Asegúrese de sujetar la herramienta con firmeza antes de apagar el imán.

Lleve el interruptor del imán a la posición "OFF". La luz indicadora del imán se apagará.

MANTENIMIENTO



¡ADVERTENCIA!

Para reducir el riesgo de lesiones, desconecte siempre la herramienta antes de darle cualquier mantenimiento. Nunca desarme la herramienta ni trate de hacer modificaciones en el sistema eléctrico de la misma. Acuda siempre a un Centro de Servicio **MILWAUKEE** para TODAS las reparaciones.

Mantenimiento de las herramientas

Adopte un programa regular de mantenimiento y mantenga su herramienta en buenas condiciones. Antes de usarla, examine las condiciones generales de la misma. Inspeccione guardas, interruptores, el cable de la herramienta y el cable de extensión. Busque tornillos sueltos o flojos, defectos de alineación y dobleces en partes móviles, así como montajes inadecuados, partes rotas y cualquier otra condición que pueda afectar una operación segura. Si detecta ruidos o vibraciones anormales, apague la herramienta de inmediato y corrija el problema antes de volver a usarla. No utilice una herramienta dañada. Colóquese una etiqueta que diga "NO DEBE USARSE" hasta que sea reparada (vea "Reparaciones").

Bajo condiciones normales, no se requiere lubricación hasta que haya que cambiar los carbones. Después de 6 meses a un año, dependiendo del uso dado, envíe su herramienta al Centro de Servicio **MILWAUKEE** más cercano para que le hagan:

- Lubricación
- Inspección y cambio de carbones
- Inspección mecánica y limpieza (engranes, flechas, baleros, carcarza, etc.)
- Inspección eléctrica (interruptor, cable, armadura, etc.)
- Probarla para asegurar una operación mecánica y eléctrica adecuada.



¡ADVERTENCIA!

Para reducir el riesgo de lesiones, descarga eléctrica o daño a la herramienta, nunca la sumerja en líquidos ni permita que estos fluyan dentro de la misma.

Limpieza

Limpie el polvo y suciedad de las ventilas. Mantenga las empuñaduras de la herramienta limpias, secas y libres de aceite y grasa. Use sólo jabón neutro y un trapo húmedo para limpiar su herramienta ya que algunas sustancias y disolventes limpiadores pueden ocasionar daños a materiales plásticos y partes aislantes. Algunos de estos incluyen: gasolina, trementina, diluyente para barniz, diluyente para pintura, disolventes limpiadores clorados, amoníaco, y detergentes caseros que contengan amoníaco.

Reparaciones

Si su instrumento se daña, vuelva el instrumento entero al más cercano centro de reparaciones.

ACCESORIOS



¡ADVERTENCIA!

Para reducir el riesgo de lesiones, desconecte siempre su herramienta antes de colocar o retirar un accesorio. Use solo accesorios recomendados específicamente. Otros pueden ser peligrosos.

Para una lista completa de accesorios, refiérase a su catálogo **MILWAUKEE** Electric Tool o visite nuestro sitio en Internet: www.milwaukeetool.com. Para obtener un catálogo, contacte su distribuidor local o uno de los centros.

Amarra de Seguridad de 1,2 m (4ft.)

Cat. No. 48-58-0090

Lubricante de Corte HAWG WASH®

Caja de 12 frascos de 0,45 L (16 oz), que hacen un total de 3,8 L (1 gal) litros de lubricante por frasco.

Cat. No. 49-32-0081

Bomba de Mano HAWG WASH®

Cat. No. 44-46-0090

Adaptador para Portabrocas de 13 mm (1/2")

Incluye también el mandril y la chaveta del mandril.

Cat. No. 48-66-2125

GARANTÍA LIMITADA DE CINCO AÑOS

Todas las herramientas **MILWAUKEE** se prueban antes de abandonar la fábrica y se garantiza que no presentan defectos ni en el material ni de mano de obra. En el plazo de cinco (5) años a partir de la fecha de compra **MILWAUKEE** reparará o reemplazará (a discreción de **MILWAUKEE**), sin cargo alguno, cualquier herramienta (cargadores de baterías inclusive) cuyo examen determine que presenta defectos de material o de mano de obra. Devuelva la herramienta, con gastos de envío prepagados y asegurada, y una copia de la factura de compra, u otro tipo de comprobante de compra, a una sucursal de reparaciones/ventas de la fábrica **MILWAUKEE** o a un centro de reparaciones autorizado por **MILWAUKEE**. Esta garantía no cubre los daños ocasionados por reparaciones o intentos de reparación por parte de personal no autorizado por **MILWAUKEE**, abuso, desgaste y deterioro normal, falta de mantenimiento o accidentes.

Las baterías, linternas y radios tienen una garantía de un (1) año a partir de la fecha de compra.

LOS DERECHOS A REPARACIÓN Y REEMPLAZO DESCRITOS EN EL PRESENTE DOCUMENTO SON EXCLUSIVOS. **MILWAUKEE** NO SERÁ EN NINGÚN CASO RESPONSABLE DE DAÑOS INCIDENTALES, ESPECIALES O CONSECUENTES, INCLUYENDO LA PÉRDIDA DE GANANCIAS.

ESTA GARANTÍA ES EXCLUSIVA Y SUSTITUYE A TODA OTRA GARANTÍA, O CONDICIONES, ESCRITAS U ORALES, EXPRESAS O IMPLÍCITAS DE COMERCIALIZACIÓN O IDONEIDAD PARA UN USO O FIN DETERMINADO.

Esta garantía le proporciona derechos legales específicos. Es posible que usted tenga otros derechos que varían de estado a estado y de provincia a provincia. En aquellos estados que no permiten la exclusión de garantías implícitas o la limitación de daños incidentales o consecuentes, las limitaciones anteriores pueden que no apliquen. Esta garantía es válida solamente en los Estados Unidos, Canadá y México.

UNITED STATES

MILWAUKEE Service

MILWAUKEE prides itself in producing a premium quality product that is **NOTHING BUT HEAVY DUTY®**.

Your satisfaction with our products is very important to us!

If you encounter any problems with the operation of this tool, or you would like to locate the *factory Service/Sales Support Branch* or *authorized service station* nearest you, please call...

1-800-SAWDUST

(1.800.729.3878)

NATIONWIDE TOLL FREE

Monday-Friday • 8:00 AM - 4:30 PM • Central Time
or visit our website at

www.milwaukeetool.com

For service information, use the 'Service Center Search' icon found in the 'Parts & Service' section.

Additionally, we have a nationwide network of *authorized* Distributors ready to assist you with your tool and accessory needs. Check your "Yellow Pages" phone directory under "Tools-Electric" for the names & addresses of those nearest you or see the 'Where To Buy' section of our website.

Corporate After Sales Service - Technical Support
Brookfield, Wisconsin USA

•Technical Questions •Service/Repair Questions •Warranty

1-800-SAWDUST

(1.800.729.3878)

fax:1.800.638.9582

email: metproductsupport@milwaukeetool.com

Monday-Friday • 8:00 AM - 4:30 PM • Central Time

CANADA

Service MILWAUKEE

MILWAUKEE est fier de proposer un produit de première qualité **NOTHING BUT HEAVY DUTY®**. Votre satisfaction est ce qui compte le plus!

En cas de problèmes d'utilisation de l'outil ou pour localiser le centre de service/ventes ou le *centre d'entretien* le plus proche, appelez le...

416.439.4181

fax: 416.439.6210

Milwaukee Electric Tool (Canada) Ltd

755 Progress Avenue

Scarborough, Ontario M1H 2W7

Notre réseau national de distributeurs *agrés* se tient à votre disposition pour fournir l'aide technique, l'outillage et les accessoires nécessaires. Composez le 416.439.4181 pour obtenir les noms et adresses des revendeurs les plus proches ou bien consultez la section «Où acheter» sur notre site web à l'adresse

www.milwaukeetool.com

MEXICO

Servicios de MILWAUKEE

Milwaukee Electric Tool

Bldv. Abraham Lincoln no. 13

Colonia Los Reyes Zona Industrial

Tlalnepantla, Edo. México C.P. 54073

Tel. 55 5565-1414 Fax: 55 5565-6874

Adicionalmente, tenemos una red nacional de distribuidores autorizados listos para ayudarle con su herramienta y sus accesorios. Por favor, llame al 55 5565-1414 para obtener los nombres y direcciones de los más cercanos a usted, o consulte la sección 'Where to buy' (Dónde comprar) de nuestro sitio web en

www.milwaukeetool.com

MILWAUKEE ELECTRIC TOOL CORPORATION

13135 West Lisbon Road • Brookfield, Wisconsin, U.S.A. 53005

Free Manuals Download Website

<http://myh66.com>

<http://usermanuals.us>

<http://www.somanuals.com>

<http://www.4manuals.cc>

<http://www.manual-lib.com>

<http://www.404manual.com>

<http://www.luxmanual.com>

<http://aubethermostatmanual.com>

Golf course search by state

<http://golfingnear.com>

Email search by domain

<http://emailbydomain.com>

Auto manuals search

<http://auto.somanuals.com>

TV manuals search

<http://tv.somanuals.com>