



SERVICE PARTS LIST

BUL. 54-46-0101

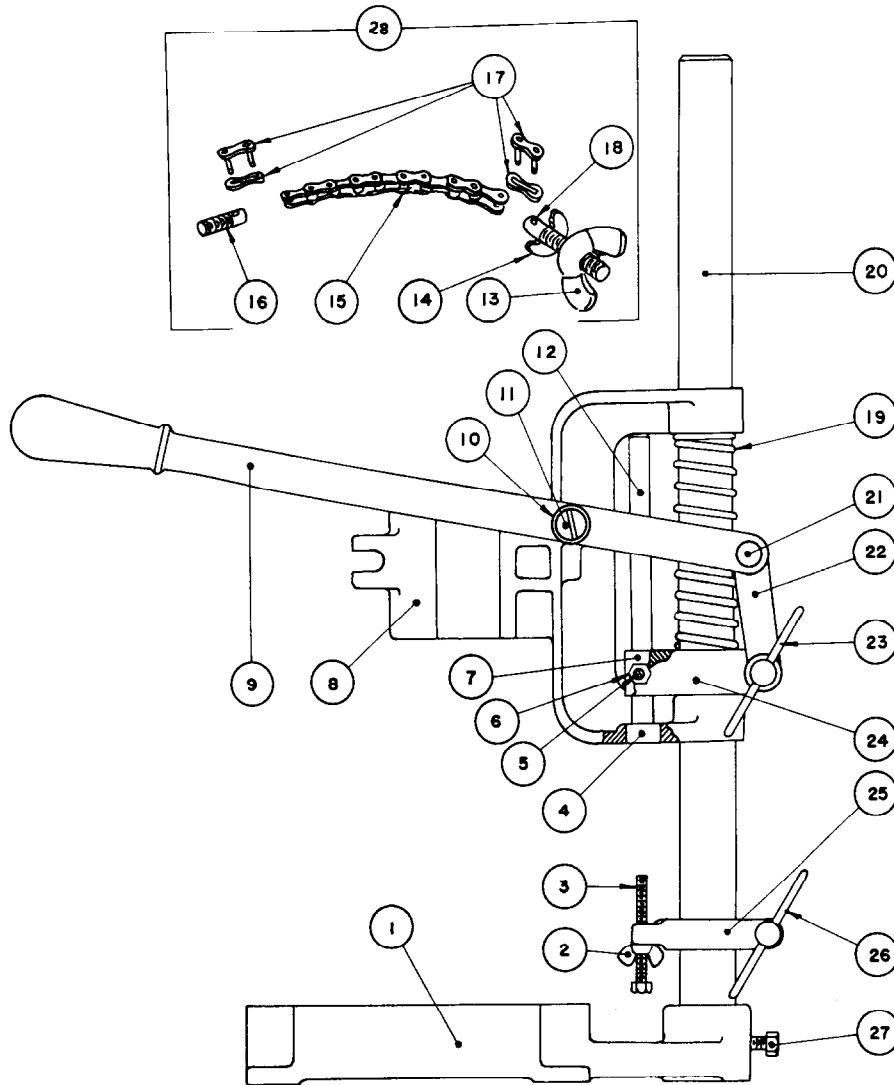
DRILL STAND

Catalog No. **3500**

Starting Serial No.

REVISED BUL 655-2 DATE Feb. '68
WIRING INSTR.

Both Model and Serial No. must be furnished to obtain correct parts.



ILLUSTRATED PARTS

FIG.	PART NO.	DESCRIPTION OF PART	FIG.	PART NO.	DESCRIPTION OF PART
1	30-07-5201	Base	15	42-60-0050	Chain
2	06-59-1500	5/16"-18 Thr'd Collar Stop Set Sc. Wing Nut	16	45-58-0080	Chain Fastening Stud
3	06-83-4550	5/16"-18x3" Collar Adjusting Sc. (Sq. Hd.)	18	42-32-0080	Chain Adjusting Bolt
4	42-40-0150	Guide Bar Lock Bushing	19	40-50-2400	Coil Spring
5	06-81-7850	1/4"-20x1" Runner Adj. Sc. (Fil.Hd.)	20	44-74-0070	Post
★6	06-55-1500	1/4-20 Lock Nut	★21	06-65-2800	7/16x1-1/4 Drivlok Pin
7	44-98-0050	Guide Bar Runner	22	30-59-0241	Handle Link
8	30-24-0521	Cradle	23	45-04-0130	Bar Clamp T Screw Assembly
9	30-44-0141	Handle	24	30-20-0141	Bar Clamp
★10	45-88-5261	Handle Swivel Screw Washer	25	30-86-0141	Bar Collar Stop
11	06-75-0600	3/8-16x1 1/4 Handle Swivel Screw	26	45-04-0150	Bar Collar Stop T Screw Assembly
12	42-18-0050	Guide Bar	27	06-83-2940	3/8"-16x1/2" Allen Hd. Base Set Screw
13	06-59-1000	3/8"-16 Thr'd Chain Adj. Bolt Wing Nut	28	42-60-0060	Cradle Chain Assembly
★14	45-88-5261	Chain Adj. Bolt Washer			

MISCELLANEOUS PARTS NOT SHOWN

PART NO.	DESCRIPTION OF PART	PART NO.	DESCRIPTION OF PART
42-40-0140	Swivel Screw Bushing	12-17-0300	Name Plate
★06-77-0450	4x1/4 Rd.Hd.Driv-In Name Plate Scrs.	(2) ★49-96-0080	Socket Wrench

Free Manuals Download Website

<http://myh66.com>

<http://usermanuals.us>

<http://www.somanuals.com>

<http://www.4manuals.cc>

<http://www.manual-lib.com>

<http://www.404manual.com>

<http://www.luxmanual.com>

<http://aubethermostatmanual.com>

Golf course search by state

<http://golfingnear.com>

Email search by domain

<http://emailbydomain.com>

Auto manuals search

<http://auto.somanuals.com>

TV manuals search

<http://tv.somanuals.com>