

# WIRING INSTRUCTIONS

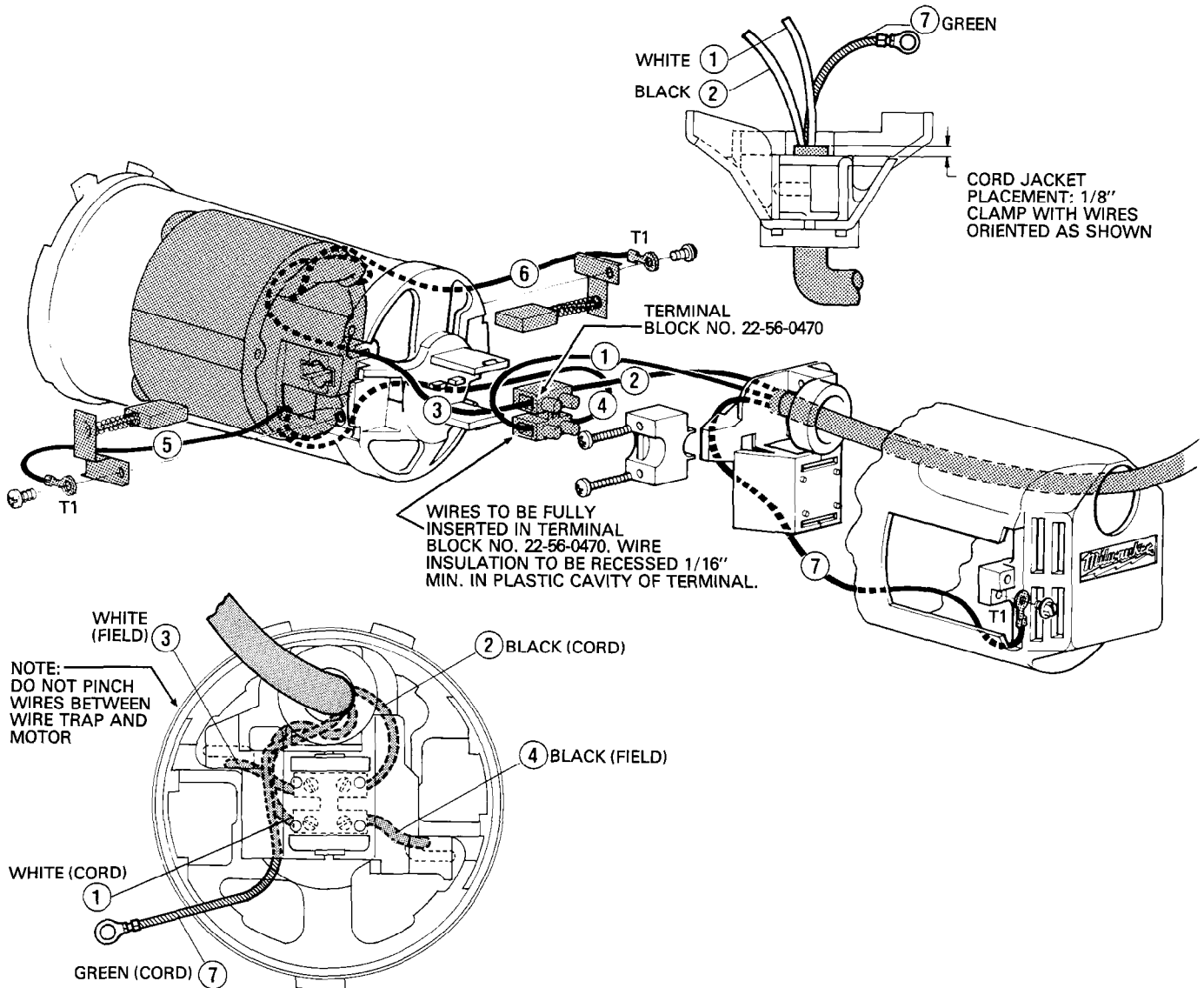
TITLE

120 VOLT DYMODRILL

MILWAUKEE ELECTRIC TOOL CORP. 13135 WEST LISBON RD. BROOKFIELD, WIS.

DATE  
March'88

BULLETIN  
58-01-0930



WIRING SPECIFICATIONS				
Wire No.	Wire Color	Origin or Gauge	Length	Terminals, Connectors and 1 or 2 End Wire Preparation
1	WHITE	CORD	2-3/4"	STRIP 1/4" AND TIN
2	BLACK	CORD	2-1/4"	STRIP 1/4" AND TIN
3	WHITE	FIELD	-----	STRIP 1/4" AND TIN
4	BLACK	FIELD	-----	STRIP 1/4" AND TIN
5	WHITE	FIELD	-----	STRIP 3/16" FOR T1
6	WHITE	FIELD	-----	STRIP 3/16" FOR T1
7	GREEN	CORD	-----	STRIP 3/16" FOR T1

NOTE:  
All leads must be held to  $\pm 1/8"$ .  
All field leads to be measured from and perpendicular to laminations.  
All lead lengths are before stripping.

TERMINAL DESCRIPTION		
Code	Part No.	Qty.
T1	23-74-0840	3
CONNECTOR DESCRIPTION		

## Free Manuals Download Website

<http://myh66.com>

<http://usermanuals.us>

<http://www.somanuals.com>

<http://www.4manuals.cc>

<http://www.manual-lib.com>

<http://www.404manual.com>

<http://www.luxmanual.com>

<http://aubethermostatmanual.com>

Golf course search by state

<http://golfingnear.com>

Email search by domain

<http://emailbydomain.com>

Auto manuals search

<http://auto.somanuals.com>

TV manuals search

<http://tv.somanuals.com>