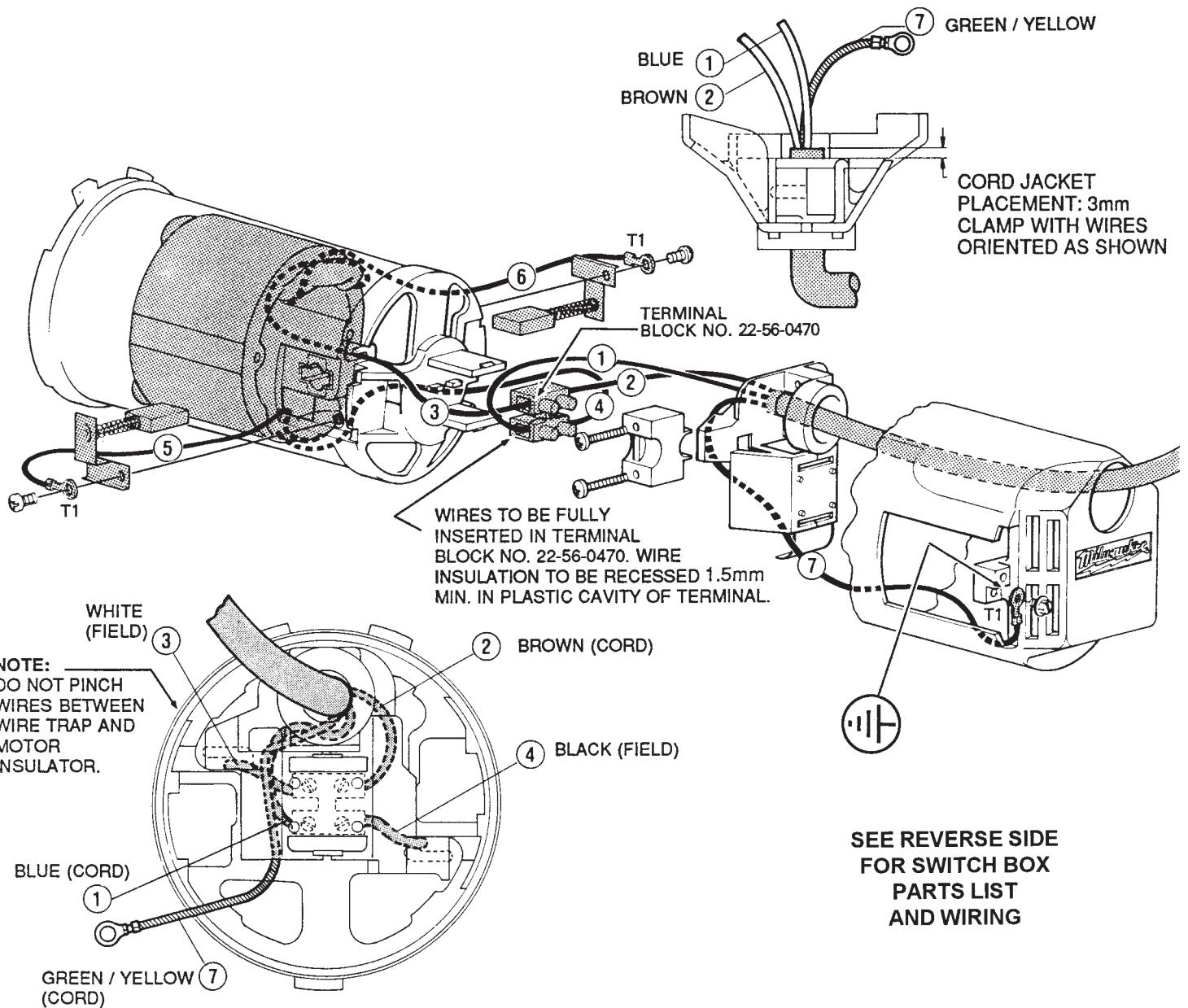


# WIRING INSTRUCTIONS

**TITLE** **DYMODRILL and SWITCH BOX**  
**MILWAUKEE ELECTRIC TOOL CORP. 13135 WEST LISBON RD. BROOKFIELD, WIS.**

**BULLETIN** **58-03-0021**  
**DATE** Oct. 2003

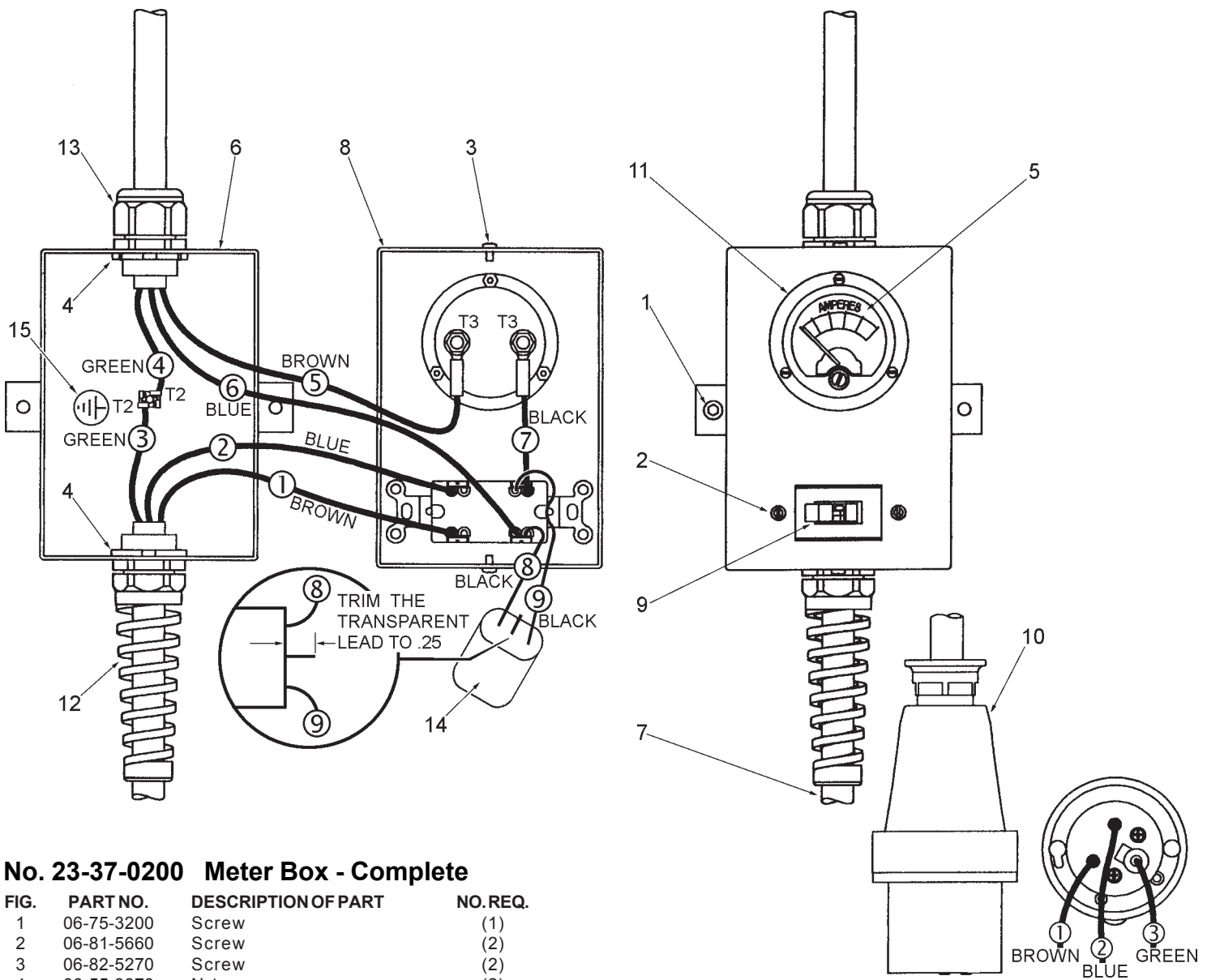


### WIRING SPECIFICATIONS

Wire No.	Wire Color	Origin or Gauge	Length	Terminals, Connectors and 1 or 2 End Wire Preparation
1	Blue	Cord	70mm	As received, apply with #8.
2	Brown	Cord	70mm	As received, apply with #9.
3	White	Field	----	As received.
4	Black	Field	----	As received.
5	White	Field	----	Strip 5mm for T1.
6	White	Field	----	Strip 5mm for T1.
7	Green/Yellow	Cord	----	Strip 5mm for T1.

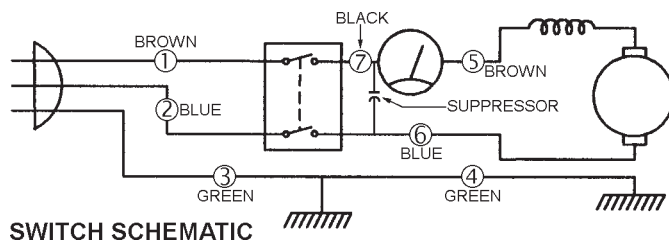
**NOTE:**  
 All leads must be held to ± 1/8".  
 All lead lengths are before stripping.

TERMINAL DESCRIPTION		
Code	Part No.	Qty.
T1	23-74-0840	3
CONNECTOR DESCRIPTION		



## No. 23-37-0200 Meter Box - Complete

FIG.	PART NO.	DESCRIPTION OF PART	NO. REQ.
1	06-75-3200	Screw	(1)
2	06-81-5660	Screw	(2)
3	06-82-5270	Screw	(2)
4	06-55-3870	Nut	(2)
5	22-04-0030	Meter	(1)
6	22-12-0185	Box Body	(1)
7	22-64-0195	Power Cord	(1)
8	22-68-0175	Box Cover	(1)
9	23-66-3030	Switch	(1)
10	23-36-3200	Plug	(1)
11	31-01-2030	Meter Cover	(1)
12	44-76-0185	Cord Strain Relief	(1)
13	44-76-0385	Straight Thru Fitting	(1)
14	22-33-0030	Suppressor	(1)
15	10-98-3030	Ground Label	(1)



WIRING SPECIFICATIONS						
Wire No.	Wire Color	Origin or Gauge	Length Plug End	Length Motor End	Length Box End	Term./Conn. and 1 or 2 End Wire Preparation
1	Brown	Plug Cord	2.5		3.5	Strip both ends .39.
2	Blue	Plug Cord	2.2		3.5	Strip both ends .39.
3	Green	Plug Cord	2.5		5.5	Strip .19 for T2, Strip the other end .39.
4	Green	Motor Cord		4.62	5.5	Strip .19 for T2, Strip .19 for T1.
5	Brown	Motor Cord		2.25	3.5	Strip .39 for T3, Strip the other end .39.
6	Blue	Motor Cord		2.75	3.5	Strip both ends .39.
7	Black	23-94-4300			4.0	Strip .39 for T3, Strip the other end .39.
8	Black	22-33-0030				Component of the suppressor assy.
9	Black	22-33-0030				Component of the suppressor assy.

**NOTE:**  
All leads must be held to  $\pm 1/8"$ .  
All lead lengths are before stripping.

TERMINAL DESCRIPTION		
Code	Part No.	Qty.
T1	23-74-0840	1
T2	23-74-0610	2
T3	23-74-0310	2
CONNECTOR DESCRIPTION		

## Free Manuals Download Website

<http://myh66.com>

<http://usermanuals.us>

<http://www.somanuals.com>

<http://www.4manuals.cc>

<http://www.manual-lib.com>

<http://www.404manual.com>

<http://www.luxmanual.com>

<http://aubethermostatmanual.com>

Golf course search by state

<http://golfingnear.com>

Email search by domain

<http://emailbydomain.com>

Auto manuals search

<http://auto.somanuals.com>

TV manuals search

<http://tv.somanuals.com>