



**OPERATOR'S MANUAL
MANUEL DE L'UTILISATEUR
MANUAL DEL OPERADOR**



**Catalog No.
No de Cat.
Catálogo No.
0514-20
0516-20**

SPECIAL NOTE: New battery packs are not fully charged. Charge your battery pack before using it for the first time and follow the charging instructions in your charger manual.

NOTE SPÉCIALE: Les batteries neuves ne sont pas entièrement chargées. Chargez la batterie avant de vous en servir la première fois en suivant les instructions de recharge dans le manuel qui accompagne cet outil.

NOTA ESPECIAL: Las baterías, cuando son nuevas, no están totalmente cargadas. Cargue su batería antes de usarla por primera vez siga las instrucciones de carga que vienen en el manual de la herramienta.



14.4V 1/2" HAMMER-DRILLS & DRIVER DRILLS

**MARTEAU ROTATIF SURPUISSANT ET PERCUESES-TOURNEVIS 1/2"
(13mm) 14,4V**

**MARTILLO-PERFORADOR DE EMPUJE Y TALADRO-ATORNILLADORES
DE 14,4V 13mm (1/2")**

TO REDUCE THE RISK OF INJURY, USER MUST READ AND UNDERSTAND OPERATOR'S MANUAL.

AFIN DE RÉDUIRE LE RISQUE DE BLESSURES, L'UTILISATEUR DOIT LIRE ET BIEN COMPRENDRE LE MANUEL DE L'UTILISATEUR.

PARA REDUCIR EL RIESGO DE LESIONES, EL USUARIO DEBE LEER Y ENTENDER EL MANUAL DEL OPERADOR.

GENERAL SAFETY RULES — FOR ALL BATTERY OPERATED TOOLS



WARNING!

READ AND UNDERSTAND ALL INSTRUCTIONS.

Failure to follow all instructions listed below, may result in electric shock, fire and/or serious personal injury.

SAVE THESE INSTRUCTIONS

WORK AREA

1. **Keep your work area clean and well lit.** Cluttered benches and dark areas invite accidents.
2. **Do not operate power tools in explosive atmospheres, such as in the presence of flammable liquids, gases, or dust.** Power tools create sparks which may ignite the dust or fumes.
3. **Keep bystanders, children, and visitors away while operating a power tool.** Distractions can cause you to lose control. Protect others in the work area from debris such as chips and sparks. Provide barriers or shields as needed.

ELECTRICAL SAFETY

4. **Do not abuse the cord. Never use the cord to carry the tool. Keep cord away from heat, oil, sharp edges, or moving parts. Replace damaged cords immediately.** Damaged cords may create a fire.
5. **A battery operated tool with integral batteries or a separate battery pack must be recharged only with the specified charger for the battery.** A charger that may be suitable for one type of battery may create a risk of fire when used with another battery.
6. **Use battery operated tool only with specifically designated battery pack.** Use of any other batteries may create a risk of fire.

PERSONAL SAFETY

7. **Stay alert, watch what you are doing, and use common sense when operating a power tool. Do not use tool while tired or under the influence of drugs, alcohol, or medication.** A moment of inattention while operating power tools may result in serious personal injury.
8. **Dress properly. Do not wear loose clothing or jewelry. Contain long hair. Keep your hair, clothing, and gloves away from moving parts.** Loose clothes, jewelry, or long hair can be caught in moving parts.
9. **Avoid accidental starting. Be sure switch is in the locked or off position before inserting battery pack.** Carrying tools with your finger on the switch or inserting the battery pack into a tool with the switch on invites accidents.
10. **Remove adjusting keys or wrenches before turning the tool on.** A wrench or a key that is left attached to a rotating part of the tool may result in personal injury.
11. **Do not overreach. Keep proper footing and balance at all times.** Proper footing and balance enable better control of the tool in unexpected situations.

12. **Use safety equipment. Always wear eye protection.** Dust mask, non-skid safety shoes, hard hat, or hearing protection must be used for appropriate conditions.

TOOL USE AND CARE

13. **Use clamps or other practical way to secure and support the workpiece to a stable platform.** Holding the work by hand or against your body is unstable and may lead to loss of control.
14. **Do not force tool. Use the correct tool for your application.** The correct tool will do the job better and safer at the rate for which it is designed.
15. **Do not use tool if switch does not turn it on or off.** A tool that cannot be controlled with the switch is dangerous and must be repaired.
16. **Disconnect battery pack from tool or place the switch in the locked or off position before making any adjustments, changing accessories, or storing the tool.** Such preventive safety measures reduce the risk of starting the tool accidentally.
17. **Store idle tools out of reach of children and other untrained persons.** Tools are dangerous in the hands of untrained users.
18. **When battery pack is not in use, keep it away from other metal objects like: paper clips, coins, keys, nails, screws, or other small metal objects that can make a connection from one terminal to another.** Shorting the battery terminals together may cause sparks, burns, or a fire.
19. **Maintain tools with care. Keep cutting tools sharp and clean.** Properly maintained tools with sharp cutting edge are less likely to bind and are easier to control.
20. **Check for misalignment or binding of moving parts, breakage of parts, and any other condition that may affect the tool's operation. If damaged, have the tool serviced before using.** Many accidents are caused by poorly maintained tools. Do not use a damaged tool. Tag damaged tools "Do not use" until repaired.
21. **Use only accessories that are recommended by the manufacturer for your model.** Accessories that may be suitable for one tool may create a risk of injury when used on another tool.





SERVICE

22. **Tool service must be performed only by qualified repair personnel.** Service or maintenance performed by unqualified personnel may result in a risk of injury.
23. **When servicing a tool, use only identical replacement parts. Follow instructions in the Maintenance section of this manual.** Use of unauthorized parts or failure to follow Maintenance Instructions may create a risk of shock or injury.

SPECIFIC SAFETY RULES

1. **Hold tool by insulated gripping surfaces when performing an operation where the cutting tool may contact hidden wiring.** Contact with a "live" wire will make exposed metal parts of the tool "live" and shock the operator.
2. **Keep hands away from all cutting edges and moving parts.**
3. **Maintain labels and nameplates.** These carry important information. If unreadable or missing, contact a MILWAUKEE Service facility for a free replacement.
4. **Wear ear protectors when using the tool for extended periods.** Prolonged exposure to high intensity noise can cause hearing loss.

Symbology

	Underwriters Laboratories, Inc.
	Canadian Standards Association
	Properly Recycle Nickel Cadmium Batteries
	Volts Direct Current
n_0 xxxx/min.	No Load Revolutions per Minute (RPM)

Specifications

Catalog Number	Volts	No Load RPM	No Load Blows per Minute	Capacities		
				Steel	Wood	Masonry
0514-20	14.4	Low 0-450 High 0-1450	Low 0-5850 High 0-18850	1/2"	1-1/2"	3/8"
0516-20	14.4	Low 0-450 High 0-1450	N/A	1/2"	1-1/2"	N/A

FUNCTIONAL DESCRIPTION



1. Speed selector
2. Release buttons
3. Battery pack
4. Trigger
5. Control switch
6. Keyless chuck
7. Clutch/Hammer-Drill selector collar (Cat. No. 0514-20 only)

CHARGING AND USING BATTERY PACK



WARNING!

Charge only **MILWAUKEE 12, 14.4 and 18 Volt Power Plus** battery packs in **Power Plus** chargers. Other types of batteries may explode causing personal injury and damage.

Charge your battery pack before using your tool for the first time and when your tool no longer performs with the power and torque needed for the job. Full loading capacity of battery pack is only reached after 4 - 5 chargings. Never completely discharge the battery pack. Standard charging time will vary according to the type of charger you use. The charging time will also vary depending on the supply voltage and charge needed. For example, if your battery pack does not require a full charge, charging time will be less.

FOR SPECIFIC CHARGING INSTRUCTIONS, PLEASE READ THE CHARGER INSTRUCTION SHEET SUPPLIED WITH YOUR CHARGER.

Battery packs are affected by temperature. Your battery pack will perform best and have longest life if it is charged when the temperature is between 60°-80°F (15°-27°C). Do not charge in temperatures below 40°F (5°C) or above 105°F (40°C). Under these conditions, capacity will be reduced. See "Maintenance".

Removing Battery Pack from Tool

Push in the release buttons and remove the battery pack.

Inserting Battery Pack into Tool (Fig. 1 & 2)

Battery pack can be inserted into the tool in two ways.

Fig. 1



Cat. No. 0516-20

1. For working in restricted spaces.

Insert the battery pack from the front by pressing in the release buttons and sliding battery pack into the body of the tool. Insert the battery pack until clamp engages.

Fig. 2



Cat. No. 0516-20

2. For optimum weight distribution and balance.

Insert the battery pack from the back by pressing in the release buttons and sliding the battery pack into the body of the tool. Insert the battery pack until clamp engages.

OPERATION

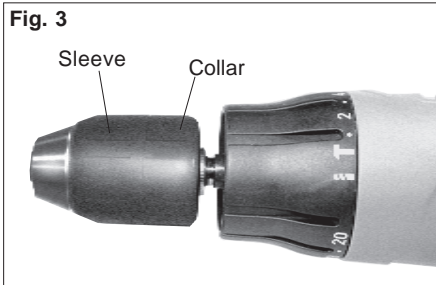


WARNING!

To reduce the risk of personal injury, always wear eye protection.

Using Keyless Chucks (Fig. 3)

Always remove the battery pack or lock the trigger before inserting or removing bits.

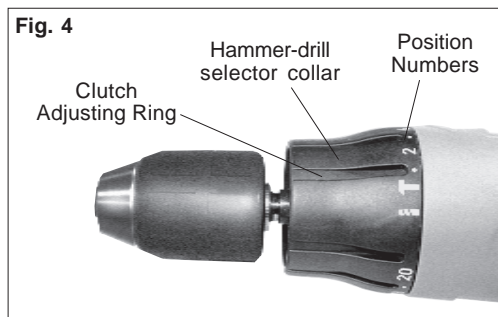


- To open the chuck jaws, hold the collar while turning the sleeve in the counterclockwise direction.
When using drill bits, allow the bit to strike the bottom of the chuck. Center the bit in the chuck jaws and lift it about 1/16" off of the bottom.
When using screwdriver bits, insert the bit far enough for the chuck jaws to grip the hex of the bit.
- To close the chuck jaws, hold the collar while turning the sleeve in the clockwise direction. Tighten securely.
- To remove the bit, hold the collar while turning the sleeve in the counterclockwise direction.


Using Clutch (Fig. 4)

This tool has an adjustable clutch for driving different types of screws into different materials. When properly adjusted, the clutch will slip at a preset torque to prevent driving the screw too deep and to prevent damage to the screw or tool.

To adjust the clutch, turn the clutch adjusting ring to one of the twenty positions shown on the adjusting ring.



The torque specifications shown here are approximate values obtained with a fully charged battery pack.

	Torque	
	0514-20	0516-20
Positions 1 - 5	0 - 14 in. lbs.	0 - 14 in. lbs.
Positions 6 - 10	20 - 41 in. lbs.	20 - 41 in. lbs.
Positions 11 - 15	46 - 60 in. lbs.	46 - 60 in. lbs.
Positions 16 - 20	65 - 85 in. lbs.	65 - 85 in. lbs.
Drill 		
Low	350 in. lbs.	390 in. lbs.
High	110 in. lbs.	130 in. lbs.

NOTE: Because the above settings are only a guide, use a piece of scrap material to test the different clutch positions before driving screws into the workpiece.

Selecting Speed (Fig. 5)

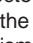
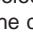
The speed selector is on top of the motor housing. Allow the tool to come to a complete stop before changing speeds. See "Applications" for recommended speeds under various conditions.



- For **Low** speed (up to 450 RPM), push the speed selector forward (Position 1).
- For **High** speed (up to 1450 RPM), push the speed selector back (Position 2).

Selecting Hammer or Drill Action (Cat. No. 0514-20 only)

MILWAUKEE Hammer-Drills are designed for two operating modes: drilling with hammering action and drilling only. To set the operating mode, rotate the Hammer-Drill selector collar to the desired symbol. A drill or hammer symbol will appear at the top center of the collar to indicate operating mode.

- To use the **hammer-drilling mode**, rotate the selector collar until the hammer symbol  appears at the top center of the collar. Apply pressure to the bit to engage the hammering mechanism.
- To use the **drilling only mode**, rotate the selector collar until the drill symbol  appears at the top center of the collar.

NOTE: When using carbide bits, do not use water to settle dust. Do not attempt to drill through steel reinforcing rods. Both actions will damage the carbide bits.

Using Control Switch (Fig. 6)

The control switch may be set to three positions: forward, reverse and lock. Due to a lockout mechanism, the control switch can only be adjusted when the ON/OFF switch is not depressed. Always allow the motor to come to a complete stop before using the control switch.

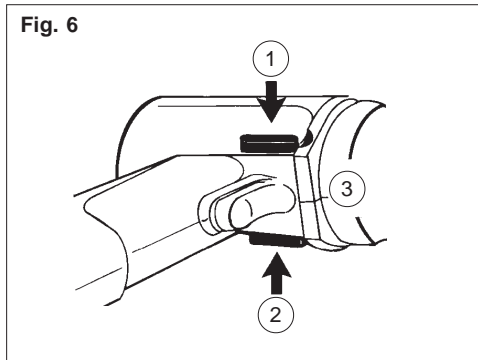


Fig. 6

Forward (clockwise) rotation, push the control switch to the left position (1).

Check the direction of rotation before use.

Reverse (counterclockwise) rotation, push the control switch to the right position (2).

Check direction of rotation before use.

Locking the trigger, push the control switch to center position (3). The trigger will not work while the control switch is in the center locked position. Always lock the trigger or remove the battery pack before performing maintenance, changing accessories, storing the tool and any time the tool is not in use.

Starting, Stopping & Controlling Speed

1. To **start** the tool, pull the trigger.
2. To **stop** the tool, release the trigger and an electric brake stops the tool instantly.

All models feature variable speed control. To vary the speed, simply increase or decrease pressure on the trigger. The further the trigger is pulled, the greater the speed.

Drilling

Set the clutch adjusting ring to the drill position (Cat. No. 0514-20 only). Place the bit on the work surface and apply firm pressure before starting. Too much pressure will slow the bit and reduce drilling efficiency. Too little pressure will cause the bit to slide over the work area and dull the point of the bit.

If the tool begins to stall, reduce pressure slightly to allow the bit to regain speed. If the bit binds, reverse the motor to free the bit from the workpiece.

APPLICATIONS



WARNING!

To reduce the risk of electric shock, check work area for hidden pipes and wires before drilling or driving screws.

Drilling in Wood, Composition Materials and Plastic

When drilling in wood, composition materials and plastic, start the drill slowly, gradually increasing speed as you drill. When drilling into wood, use wood augers or twist drill bits. Always use sharp bits. When using twist drill bits, pull the bit out of the hole frequently to clear chips from the bit flutes. To reduce the chance of splintering, back work with a piece of scrap wood. Select low speeds for plastics with a low melting point.

Drilling in Metal

When drilling in metal, use high speed steel twist drills or hole saws. Use a center punch to start the hole. Lubricate drill bits with cutting oil when drilling in iron or steel. Use a coolant when drilling in nonferrous metals such as copper, brass or aluminum. Back the material to prevent binding and distortion on breakthrough.

Drilling in Masonry

When drilling in masonry, select the hammer-drill operating mode (Cat. No. 0514-20 only). Use high speed carbide-tipped bits. Drilling soft masonry materials such as cinder block requires little pressure. Hard materials like concrete require more pressure. A smooth, even flow of dust indicates the proper drilling rate. Do not let the bit spin in the hole without cutting. Do not use water to settle dust or to cool bit. Both actions will damage the carbide.

Driving Screws and Nut Running

Drill a pilot hole when driving screws into thick or hard materials. Set the clutch adjusting ring to the proper position and set the speed to low. Use the proper style and size screwdriver bit for the type of screw you are using.

With the screwdriver bit in the screw, place the tip of the screw on the workpiece and apply firm pressure before pulling the trigger. Screws can be removed by reversing the motor.

Overloading

Continuous overloading may cause permanent damage to tool or battery pack.

MAINTENANCE



WARNING!

To reduce the risk of personal injury always unplug the charger and remove the battery pack from the charger or tool before performing any maintenance. Never disassemble the tool, battery pack or charger. Contact a *MILWAUKEE* service facility for ALL repairs.

Keep your tool, battery pack and charger in good repair by adopting a regular maintenance program. After six months to one year, depending on use, return the tool, battery pack and charger to a *MILWAUKEE* service facility for:

- Lubrication
- Brush inspection and replacement
- Mechanical inspection and cleaning (gears, spindles, bearings, housing, etc.)
- Electrical inspection (battery pack, charger, motor)
- Testing to assure proper mechanical and electrical operation

Maintaining Tool

If the tool does not start or operate at full power with a fully charged battery pack, clean the contacts on the battery pack. If the tool still does not work properly, return the tool, charger and battery pack to a *MILWAUKEE* service facility for repairs.

Maintaining Battery Pack

MILWAUKEE Nickel-Cadmium battery packs will operate for many years and/or hundreds of cycles when they are maintained and used according to these instructions.

A battery pack that is stored for six months without being used will discharge itself. Batteries discharge at a rate of about 1% per day. Charge the battery every six months even if it is unused to maximize battery life. Do not tape the trigger in the "ON" position and leave the tool unattended as this may discharge the battery to a point where it will no longer be able to recharge. Use a *MILWAUKEE* battery pack only until it no longer performs with the power and torque needed for your application.

Store your battery pack in a cool, dry place. Do not store it where the temperature may exceed 120°F (50°C) such as in a vehicle or metal building during the summer. High temperatures will overheat the battery pack, reducing battery life. If it is stored for several months, the battery pack will gradually lose its charge. One to three cycles of charging and discharging through normal use will restore the capacity of the battery pack. During the life of the battery pack, the operating time between charges becomes shorter. If the operating time becomes extremely short after a proper charge, the usable life of the battery pack has been reached and it should be replaced.



WARNING!

To reduce the risk of personal injury and damage, never immerse your tool, battery pack or charger in liquid or allow a liquid to flow inside them.

Cleaning

Clean dust and debris from charger and tool vents. Keep tool handles clean, dry and free of oil or grease. Use only mild soap and a damp cloth to clean the tool, battery pack and charger since certain cleaning agents and solvents are harmful to plastics and other insulated parts. Some of these include gasoline, turpentine, lacquer thinner, paint thinner, chlorinated cleaning solvents, ammonia and household detergents containing ammonia. Never use flammable or combustible solvents around tools.



WARNING!

To reduce the risk of explosion, never burn a battery pack even if it is damaged, dead or completely discharged.

Disposing of Nickel-Cadmium Battery Packs

Nickel-Cadmium battery packs are recyclable. Under various state and local laws, it may be illegal to dispose of this battery into the municipal waste stream. Dispose of your battery pack according to federal, state and local regulations.

Repairs

For repairs, return the tool, battery pack and charger to the nearest service center listed on the back cover of this operator's manual.

WARRANTY

Battery Pack Warranty

Battery packs for cordless tools are warranted for one year from the date of purchase.

Every *MILWAUKEE* tool is thoroughly inspected and tested before leaving our manufacturing facilities. Should any trouble develop, return the complete tool prepaid to our Corporate Office, Branch Office/Service Center or nearest Authorized *MILWAUKEE* Service Station. If inspection shows the trouble is caused by defective workmanship or material, all repairs will be made without charge, and the tool will be returned, transportation prepaid. Battery packs for cordless tools are warranted for one year from the date of purchase.

This warranty does not apply where: (1) repairs or attempted repairs have been made by persons other than *MILWAUKEE* personnel or Authorized Service Station personnel; (2) repairs are required because of normal wear; (3) the tool has been abused or involved in an accident; (4) misuse is evident, such as caused by overloading the tool beyond its rated capacity; (5) the tool has been used after partial failure or (6) the tool has been used with an improper accessory. No other warranty, written or verbal, is authorized.

ACCESSORIES



WARNING!

Always remove battery pack and lock trigger before changing or removing accessories. Only use accessories specifically recommended for this tool. Others may be hazardous.

For a complete listing of accessories, refer to your *MILWAUKEE* Electric Tool catalog. To obtain a catalog, contact your local distributor or service center. Refer to the back cover of this operator's manual for the location nearest you.

14.4 Volt Power Plus Battery Packs

Fits *MILWAUKEE* Charger Cat. No. 48-59-0231, 48-59-0241 and 48-59-0245.

1.7 Amp-Hours

Catalog No. 48-11-1000

2.4 Amp-Hours

Catalog No. 48-11-1024

Cat. No. 48-11-1024



Power Plus Chargers 120 Volt

For charging 12-18 Volt Power Plus Battery Packs.

Fast Charger

Catalog No. 48-59-0241

1-Hour Charger

Catalog No. 48-59-0245



Cat. No. 48-59-0245

Jobbers Length Twist Drill Sets

13 Piece Set

Catalog No. 48-89-0030

Sizes 1/16" to 1/4" by 64ths.

15 Piece Set

Catalog No. 48-89-0020

Sizes 1/16" to 1/2" by 32nds.

21 Piece Set

Catalog No. 48-89-0015

Sizes 1/16" to 3/8" by 64ths.

29 Piece Set

Catalog No. 48-89-0010

Sizes 1/16" to 1/2" by 64ths.

Cat. No. 48-30-0101



1/2" Keyless Chucks

Catalog No. 48-66-1400

Catalog No. 48-66-1375

Rugged nylon housing with rust resistant nickel plated jaws and body. For cordless drills with 1/2" - 20 thread.

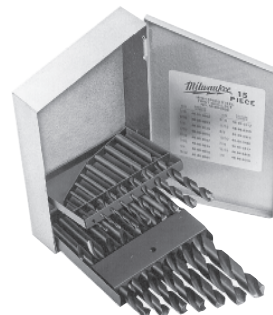
Hammer-Drill Accessory Kit

Catalog No. 48-30-0101

Includes 1/4" socket driver, 6F-7R slotted bit, #1 and #2 Phillips bits, 1/4" and 3/16" twist bits, and two 1/8" twist bits.

Plastic Carrying Case

Catalog No. 48-55-3015



Cat. No. 48-89-0020

RÈGLES DE SÉCURITÉ GÉNÉRALES POUR TOUS LES OUTILS À BATTERIE



AVERTISSEMENT!

VOUS DEVEZ LIRE ET COMPRENDRE TOUTES LES INSTRUCTIONS.

Le non-respect, même partiel, des instructions ci-après entraîne un risque de choc électrique, d'incendie et/ou de blessures graves.

CONSERVEZ CES INSTRUCTIONS

AIRE DE TRAVAIL

1. **Veillez à ce que l'aire de travail soit propre et bien éclairée.** Le désordre et le manque de lumière favorisent les accidents.
2. **N'utilisez pas d'outils électriques dans une atmosphère explosive, par exemple en présence de liquides, de gaz ou de poussières inflammables.** Les outils électriques créent des étincelles qui pourraient enflammer les poussières ou les vapeurs.
3. **Tenez à distance les curieux, les enfants et les visiteurs pendant que vous travaillez avec un outil électrique.** Ils pourraient vous distraire et vous faire faire une fausse manœuvre.

SÉCURITÉ ÉLECTRIQUE

4. **Ne maltraitez pas le cordon. Ne transportez pas l'outil par son cordon. N'exposez pas le cordon à la chaleur, à des huiles, à des arêtes vives ou à des pièces en mouvement. Remplacez immédiatement un cordon endommagé.** Un cordon endommagé peut constituer un risque d'incendie.
5. **Un outil à bloc-batterie amovible ou à batterie intégrée ne doit être rechargé qu'avec le chargeur prévu pour la batterie.** Un chargeur qui convient à tel type de batterie peut présenter un risque d'incendie avec tel autre type de batterie.
6. **N'utilisez un outil qu'avec un bloc-batterie conçu spécifiquement pour lui.** L'emploi d'un autre bloc-batterie peut créer un risque d'incendie.

SÉCURITÉ DES PERSONNES

7. **Restez alerte, concentrez-vous sur votre travail et faites preuve de jugement. N'utilisez pas un outil électrique si vous êtes fatigué ou sous l'influence de drogues, d'alcool ou de médicaments.** Un instant d'inattention suffit pour entraîner des blessures graves.
8. **Habillez-vous convenablement. Ne portez ni vêtements flottants ni bijoux. Confinez les cheveux longs. N'approchez jamais les cheveux, les vêtements ou les gants des pièces en mouvement.** Des vêtements flottants, des bijoux ou des cheveux longs risquent d'être happés par des pièces en mouvement.
9. **Méfiez-vous d'un démarrage accidentel. Avant d'insérer un bloc-batterie, assurez-vous que l'interrupteur de l'outil est sur ARRÊT.** Le fait de transporter un outil avec le doigt sur la détente ou d'insérer un bloc-batterie alors que l'interrupteur est en position MARCHE peut mener tout droit à un accident.
10. **Enlevez les clés de réglage ou de serrage avant de démarrer l'outil.** Une clé laissée dans une pièce tournante de l'outil peut provoquer des blessures.
11. **Ne vous penchez pas trop en avant. Maintenez un bon appui et restez en équilibre en tout temps.** Une bonne stabilité vous permet de mieux réagir à une situation inattendue.
12. **Utilisez des accessoires de sécurité. Portez toujours des lunettes ou une visière.** Selon les conditions, portez aussi un masque antipoussière, des bottes de sécurité antidérapantes, un casque protecteur et/ou un appareil antibruit.

UTILISATION ET ENTRETIEN DES OUTILS

13. **Immobilisez le matériau sur une surface stable au moyen de brides ou de toute autre façon adéquate.** Le fait de tenir la pièce avec la main ou contre votre corps offre une stabilité insuffisante et peut amener un dérapage de l'outil.
14. **Ne forcez pas l'outil. Utilisez l'outil approprié à la tâche.** L'outil correct fonctionne mieux et de façon plus sécuritaire. Respectez aussi la vitesse de travail qui lui est propre.
15. **N'utilisez pas un outil si son interrupteur est bloqué.** Un outil que vous ne pouvez pas commander par son interrupteur est dangereux et doit être réparé.
16. **Retirez le bloc-batterie ou mettez l'interrupteur sur ARRÊT ou en position verrouillée avant d'effectuer un réglage, de changer d'accessoire ou de ranger l'outil.** De telles mesures préventives réduisent le risque de démarrage accidentel de l'outil.
17. **Rangez les outils hors de la portée des enfants et d'autres personnes inexpérimentées.** Les outils sont dangereux dans les mains d'utilisateurs novices.
18. **Lorsque le bloc-batterie n'est pas en service, tenez-le à l'écart d'autres objets métalliques (trombones, pièces de monnaie, clés, clous, vis, etc.) susceptibles d'établir un contact électrique entre les deux bornes.** La mise en court-circuit des bornes de la batterie peut produire des étincelles et constitue un risque de brûlures ou d'incendie.
19. **Prenez soin de bien entretenir les outils. Les outils de coupe doivent être toujours bien affûtés et propres.** Des outils bien entretenus, dont les arêtes sont bien tranchantes, sont moins susceptibles de coincer et plus faciles à diriger.
20. **Soyez attentif à tout désalignement ou coincement des pièces en mouvement, à tout bris ou à toute autre condition préjudiciable au bon fonctionnement de l'outil. Si vous constatez qu'un outil est endommagé, faites-le réparer avant de vous en servir.** De nombreux accidents sont causés par des outils en mauvais état. Fixez-y une étiquette marquée « HORS D'USAGE » jusqu'à ce qu'il soit réparé.
21. **N'utilisez que des accessoires que le fabricant recommande pour votre modèle d'outil.** Certains accessoires peuvent convenir à un outil, mais être dangereux avec un autre.






RÉPARATION

22. **La réparation des outils électriques doit être confiée à un réparateur qualifié.** L'entretien ou la réparation d'un outil électrique par un amateur peut avoir des conséquences graves.
23. **Pour la réparation d'un outil, n'employez que des pièces de rechange d'origine. Suivez les directives données à la section « Réparation » de ce manuel.** L'emploi de pièces non autorisées ou le non-respect des instructions d'entretien peut créer un risque de choc électrique ou de blessures.

RÈGLE DE SÉCURITÉ PARTICULIÈRE SUPPLÉMENTAIRE

1. **Tenez l'outil par ses surfaces de prise isolées pendant toute opération où l'outil de coupe pourrait venir en contact avec un câblage dissimulé.** En cas de contact avec un conducteur sous tension, les pièces métalliques à découvert de l'outil transmettraient un choc électrique à l'utilisateur.
2. **Tenez les mains à l'écart des arêtes tranchantes et des pièces en mouvement.**
3. **Entretenez les étiquettes et marqués di fabricant.** Les indications qu'elles contiennent sont précieuses. Si elles deviennent illisibles ou se détachent, faites-les remplacer gratuitement à un centre de service *MILWAUKEE* accrédité.
4. **Portez un appareil antibruit si vous devez utiliser l'outil pendant une période prolongée.** Une exposition prolongée à un bruit de forte intensité peut entraîner des lésions de l'ouïe.

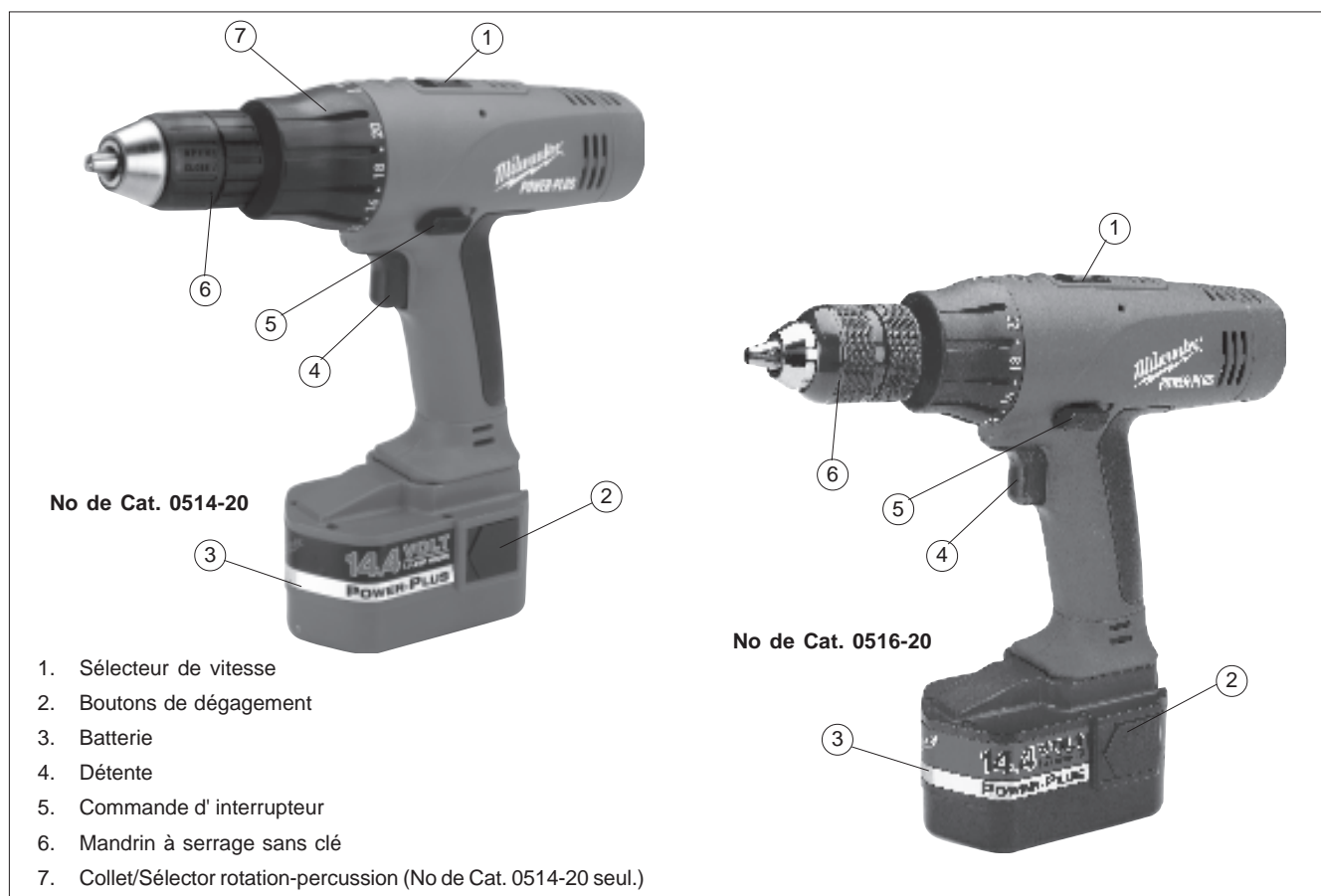
Pictographie

	Underwriters Laboratories, Inc.
	ACNOR Association Canadienne de normalisation
 	Disposez correctement des batteries au nickel-cadmium
	Volts Courant Direct
$n_{o}xxxx/min.$	Tours-minute à vide (RPM)

Specifications

No de Cat.	Volts	T-min à vide		Coups./ Min. à vide		Calibres		
						Acier	Bois	Maçonnerie
0514-20	14,4	Basse	0-450	Basse	0-5 850	1/2"	1-1/2"	3/8"
		Haute	0-1 450	Haute	0-18 850	(13mm)	(38mm)	(9,5mm)
0516-20	14,4	Basse	0-450	N/A		1/2"	1-1/2"	N/A
		Haute	0-1 450			(13mm)	(38mm)	

DESCRIPTION FONCTIONNELLE





AVERTISSEMENT!

Seule la batterie **MILWAUKEE Power Plus** de 12V, 14,4V et 18V doit être rechargée avec chargeurs de Power Plus. D'autres types de batteries pourraient exploser, occasionnant dommages et blessures corporelles.

Rechargez la batterie avant de vous servir de l'outil la première fois, ou lorsque l'outil n'offre plus la puissance et le couple nécessaires au travail à accomplir. Ne laissez jamais la batterie s'épuiser complètement. Les batteries neuves n'atteignent leur puissance maximale qu'après 4 ou 5 cycles de recharge-décharge. La durée normale de recharge est variable selon le type de chargeur utilisé. Elle peut aussi varier selon le voltage à la source et la recharge nécessaire. Par exemple, si la batterie n'a pas besoin d'une recharge complète, la durée de recharge sera moindre.

VEUILLEZ CONSULTER LA FEUILLE D'INSTRUCTIONS QUI ACCOMPAGNE LE CHARGEUR POUR CONNAÎTRE EN DÉTAIL LA TECHNIQUE DE RECHARGE.

Les batteries sont affectées par la température. La vôtre aura un meilleur rendement et durera plus longtemps si la recharge est effectuée à une température se situant entre 60°F à 80°F (15°-27°C). Ne procédez pas à une recharge lorsque la température est inférieure à 40°F (5°C) ou supérieure à 105°F (40°C), car à ces températures, la recharge sera moins efficace. Voir « Maintenance ».

Retrait de la batterie de l'outil

Appuyez sur les boutons de dégagement et retirez la batterie.

Introduction de la batterie dans l'outil (Fig. 1 et 2)

La batterie peut être introduite dans l'outil de deux façons.

Fig. 1



1. Lorsque l'espace est restreint.

Introduisez la batterie par le devant en appuyant sur les boutons de dégagement et en la glissant dans le corps de l'outil pour qu'elle s'enclenche.

Fig. 2



No de Cat. 0516-20

2. Pour une bonne répartition du poids et un bon équilibre.

Introduisez la batterie par l'arrière en appuyant sur les boutons de dégagement et en la glissant dans le corps de l'outil pour qu'elle s'enclenche.

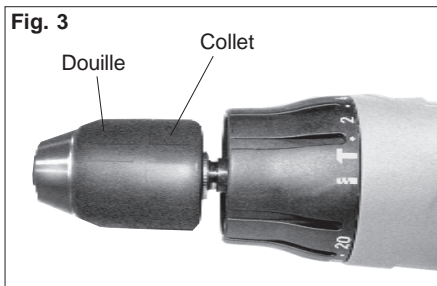


AVERTISSEMENT!

Pour minimiser les risques de blessures, au yeux, portez toujours de lunettes à coques latérales.

Utilisation du mandrin à serrage sans clé (Fig. 3)

Assurez-vous de toujours verrouiller la détente ou de retirer la batterie avant d'installer des pièces ou d'en enlever.



1. Pour écarter les mâchoires du mandrin, retenez le collet tandis que vous faites tourner la douille en sens inverse-horaire.

Lorsque vous utilisez un foret, insérez-le jusqu'au fond du mandrin. Centrez le foret entre les mâchoires et retirez-le d'environ 1/16" (1,6mm) avant de le verrouiller en place.

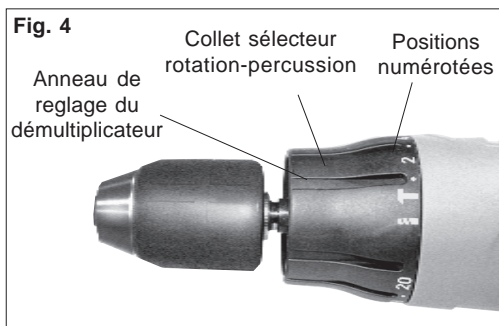
Si vous utilisez une pièce tournevis, insérez la pièce assez loin dans le mandrin pour que les mâchoires du mandrin agrippent la partie hexagonale de la tige.

2. Pour refermer les mâchoires du mandrin, retenez le collet tandis que vous faites tourner la douille en sens horaire. Serrez à fond.
3. Pour retirer le foret, tenez le collet pendant que vous tournez la douille en sens inverse-horaire.

Usage du démultiplicateur (Fig. 4)

Cet outil est pourvu d'un démultiplicateur réglable pour enfoncer des vis de différents calibres dans des matériaux variés. Quand il est à la position de réglage appropriée, le démultiplicateur glisse à une charge de torsion préréglée pour prévenir l'enfoncement trop profond des vis et la détérioration des vis et de l'outil.

Pour régler l'accouplement, tournez l'anneau de réglage d'accouplement à l'une des vingt positions de réglage de l'anneau.



Les spécifications relatives à la torsion indiquées ici ont la valeur approximative du rendement d'une batterie à pleine charge.

	Torsion	
	0514-20	0516-20
Positions 1 - 5	0 - 14 in. lbs./po. (0 - 1,6Nm)	0 - 14 in. lbs./po. (0 - 1,6Nm)
Positions 6 - 10	20 - 41 in. lbs./po. (2,25 - 4,63Nm)	20 - 41 in. lbs./po. (2,25 - 4,63Nm)
Positions 11 - 15	46 - 60 in. lbs./po. (5,2 - 6,78Nm)	46 - 60 in. lbs./po. (5,2 - 6,78Nm)
Positions 16 - 20	65 - 85 in. lbs./po. (7,34 - 9,6Nm)	65 - 85 in. lbs./po. (7,34 - 9,6Nm)
Perçage		
Basse	350 in. lbs./po. (39,5Nm)	390 in. lbs./po. (44Nm)
Haute	110 in. lbs./po. (12,42Nm)	130 in. lbs./po. (14,69Nm)

N.B. Les positions de réglage indiquées ci-dessus étant approximatives, il est conseillé d'essayer l'outil à différentes positions sur une pièce de rebut avant de l'utiliser sur le matériau à façonner.

Sélection de la vitesse de rotation (Fig. 5)

Le sélecteur de vitesse est placé sur le dessus du boîtier du moteur. Laissez l'outil s'arrêter complètement avant de changer la vitesse. Voir « Applications » pour le choix de la vitesse appropriée à divers usages.



1. Pour la **basse** vitesse (450 t/min.), glissez le sélecteur vers l'avant.
2. Pour la **haute** vitesse (1 450 t/min.), glissez le sélecteur vers l'arrière.

Choix entre l'action « Perçage Seulement » et l'action « Percussion » (No de Cat. 0514-20 seul.)

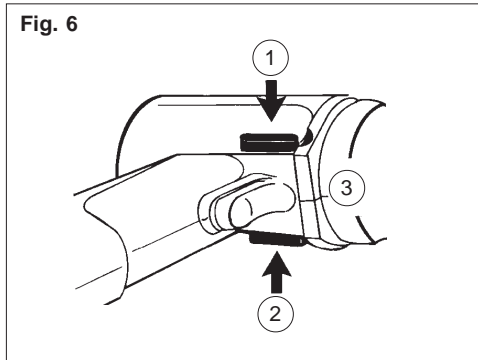
Les perceuses tournevis à percussion MILWAUKEE sont conçues pour combiner deux modes de fonctionnement et driller avec ou sans percussion. Pour choisir le mode de fonctionnement, tournez le Collier Sélecteur Rotation/Percussion jusqu'à ce que le symbole du mode désiré, rotation ou percussion, apparaisse au centre du haut du collet pour indiquer le mode de fonctionnement choisi.

1. Pour utiliser la **rotation avec percussion** tournez le collier sélecteur jusqu'à ce que le symbole de percussion apparaisse au centre du haut du collet. Appuyez sur le foret pour enclencher le mécanisme de percussion.
2. Pour utiliser la **rotation seulement**, tournez le collier sélecteur jusqu'à ce que le symbole de rotation seulement apparaisse au centre du haut du collet.

N.B. Pour éviter d'en endommager la pointe, lorsque vous utilisez un foret à pointe carburée, n'employez pas d'eau pour abattre la poussière et n'essayez pas de driller dans les barres de renforcement du béton armé.

Utilisation de la commande d'interrupteur (Fig. 6)

La commande d'interrupteur peut être placée à trois positions: marche avant, marche arrière et verrouillage. À cause d'un mécanisme qui empêche l'inversion de la rotation lorsque l'outil est en marche. Il faut toujours laisser le moteur s'arrêter complètement avant d'actionner la commande d'interrupteur.



Rotation avant (sens horaire), poussez la commande vers la gauche (1).

Vérifiez le sens de la rotation avant de vous servir de l'outil.

Rotation arrière (sens inverse-horaire), poussez la commande vers la droite (2).

Vérifiez le sens de la rotation avant de vous servir de l'outil.

Verrouillage de la détente, poussez la commande à la position centrale (3). La détente reste bloquée lorsque la commande d'interrupteur est à la position centrale. Assurez-vous de toujours verrouiller la détente ou de retirer la batterie avant d'effectuer des tâches de maintenance, de changer les accessoires, de ranger l'outil ou de le laisser sans surveillance.

Démarrage, arrêt et contrôle de vitesse

1. Pour **mettre** l'outil en marche, appuyez sur la détente.
2. Pour **arrêter** l'outil, relâchez la détente. Un frein électrique arrête l'outil instantanément.

Tous les modèles sont pourvus d'une détente d'interrupteur à vitesse variable. Pour varier la vitesse, il suffit d'augmenter ou de diminuer la pression sur la détente. Plus la détente est enfoncée, plus la vitesse est grande.

Perçage

Placez l'anneau de réglage du démultiplicateur à la position de perçage (No de Cat. 0514-20 seul.). Placez le foret sur la surface à percer et appuyez fermement sur l'outil avant de le mettre en marche. Une trop grande pression pourra ralentir la rotation du foret et nuire au perçage. Une pression trop faible occasionnera le glissement du foret sur la surface et pourra émousser la pointe du foret.

Si la perceuse ralentit à cause de l'effort, diminuez légèrement la pression pour laisser le foret reprendre sa vitesse. Si le foret reste bloqué, inversez la rotation et retirez le foret du matériau.

APPLICATIONS



AVERTISSEMENT!

Pour minimiser les risques de choc électrique, inspectez l'aire de travail pour en déceler les tuyaux et les câbles électriques avant perçage ou de commencer à visser.

Perçage dans le bois, les agglomérés et le plastique

Lorsque vous percez dans le bois, les agglomérés et le plastique, commencez à driller lentement pour augmenter graduellement la vitesse. Lorsque vous drillez dans le bois, servez-vous d'une mèche à bois ou d'un foret hélicoïdal. N'employez que des pièces bien aiguisées. Si vous employez une mèche hélicoïdale, sortez fréquemment la mèche du trou pour en débarrasser les cannelures des rognures. Pour minimiser les risques d'écaillage, appuyez le matériau sur un morceau de bois de rebut. Drillez à basse vitesse dans les plastiques dont le point de fusion est peu élevé.

Perçage dans le métal

Pour percer le métal, employez des forets d'acier-rapide de forme hélicoïdale ou des lames-scies du même métal. Lubrifiez le foret avec de l'huile de coupe lorsque vous drillez dans l'acier ou le fer. Pour les métaux non ferreux comme le cuivre, l'étain et l'aluminium, employez un liquide refroidisseur. Appuyez la pièce à travailler sur une pièce rigide pour éviter le grippage ou le gauchissement du foret à la phase finale du perçage.

Forage dans la maçonnerie

Pour driller dans la maçonnerie, placez le collet sélecteur à la position « Hammer-Drill » (No de Cat. 0514-20 seul.). Utilisez un foret de haute vitesse à pointe carburée. Pour driller dans la maçonnerie molle comme les blocs de cendre, par exemple, n'appliquez qu'une légère pression sur l'outil. Pour les matériaux plus durs comme le béton, appliquez plus de pression sur l'outil. Le perçage s'effectue correctement lorsqu'une fine poussière s'échappe du trou. Ne laissez pas le foret tourner librement dans le trou. N'employez pas d'eau pour abattre la poussière ou refroidir le foret, car l'eau peut endommager la pointe carburée du foret.

Vissage des vis et serrage des écrous

Percez un trou-guide avant de poser des vis dans des matériaux épais ou durs. Placez l'anneau de réglage du démultiplicateur de l'outil à la position appropriée et réglez la vitesse à la position marquée "LOW" pour obtenir une basse vitesse de rotation. Employez une pièce tournevis du calibre et du type qui conviennent au type de vis que vous employez.

Posez la pièce tournevis sur la tête de la vis et placez la pointe de la vis sur la pièce à visser. Exercez une pression ferme sur la vis avant de presser la détente. Commencez à visser lentement pour ensuite augmenter graduellement la vitesse de vissage. Pour dévisser, inversez la rotation.

Surcharge

Si l'outil est constamment surchargé, la batterie et le moteur pourront subir des dommages.



AVERTISSEMENT!

Pour minimiser les risques de blessures corporelles, débranchez le chargeur et retirez la batterie du chargeur ou de l'outil avant d'y effectuer des travaux d'entretien. Ne démontez jamais l'outil, la batterie ou le chargeur. Pour toute réparation, consultez un centre de service MILWAUKEE accrédité.

Gardez l'outil, la batterie et le chargeur en bon état en adoptant un programme d'entretien ponctuel. Après une période de six mois à un an, selon l'utilisation, renvoyez l'outil, la batterie et le chargeur à un centre de service MILWAUKEE accrédité pour les services suivants:

- Lubrification
- Inspection et remplacement des balais
- Inspection et nettoyage de la mécanique (engrenages, pivots, coussinets, boîtier etc.)
- Inspection électrique (batterie, chargeur, moteur)
- Vérification du fonctionnement électromécanique

Entretien de l'outil

Si l'outil ne démarre pas ou ne fonctionne pas à pleine puissance alors qu'il est branché sur une batterie complètement chargée, nettoyez les points de contact entre la batterie et l'outil. Si l'outil ne fonctionne toujours pas correctement, renvoyez l'outil, le chargeur et la batterie à un centre de service MILWAUKEE accrédité, afin qu'on en effectue la réparation.

Entretien de la Batterie

Les batteries MILWAUKEE au nickel-cadmium sont conçues pour durer plusieurs années et/ou des milliers de cycles lorsqu'elles sont bien entretenues et utilisées selon les instructions de ce manuel.

Une batterie qui est rangée durant six mois perdra sa charge si elle n'est pas utilisée. Les batteries se déchargent selon un taux d'environ 1% par jour. Rechargez la batterie tous les six mois, même si elle n'est pas utilisée, cela prolongera sa durée. Ne maintenez pas la détente d'interrupteur à la position « ON » à l'aide d'un ruban adhésif et ne laissez pas l'outil sans surveillance car cela pourrait décharger la batterie à un point tel qu'il deviendra impossible de la recharger. Employez une batterie MILWAUKEE aussi longtemps qu'elle fournira la puissance requise.

Rangez la batterie dans un endroit frais et sec. Ne la rangez pas dans un endroit où la température pourrait excéder 120°F (50°C), dans un véhicule ou une structure d'acier, l'été par exemple. Les températures élevées provoquent la surchauffe de la batterie et en réduisent la durée. Si la batterie est rangée pour une période de plusieurs mois, elle perdra graduellement sa charge. Cependant, après plusieurs cycles de recharge et de décharge en période d'utilisation normale, elle retrouvera sa charge initiale. Avec le temps, les intervalles entre les recharges de la batterie deviendront de plus en plus courts. Lorsque ces intervalles, devenus trop courts, rendront l'outil inutilisable, il faudra remplacer la batterie.



AVERTISSEMENT!

Pour minimiser les risques de blessures ou de dommages à l'outil, n'immergez jamais l'outil, la batterie ou le chargeur et ne laissez pas de liquide s'y infiltrer.

Nettoyage

Débarrassez les événements du chargeur et de l'outil des débris et de la poussière. Gardez les poignées de l'outil propres, à sec et exemptes d'huile ou de graisse. Le nettoyage de l'outil, du chargeur et de la batterie doit se faire avec un linge humide et un savon doux. Certains nettoyants

tels l'essence, la térébenthine, les diluants à laque ou à peinture, les solvants chlorés, l'ammoniac et les détergents d'usage domestique qui en contiennent pourraient détériorer le plastique et l'isolation des pièces. Ne laissez jamais de solvants inflammables ou combustibles auprès de l'outil.



AVERTISSEMENT!

Pour minimiser les risques d'explosion ne faites jamais brûler une batterie, même si elle est avariée, âgée ou complètement épuisée.

Disposition des Batteries au Nickel-Cadmium

Les batteries au nickel-cadmium doivent être traitées comme les déchets dangereux. On doit en disposer conformément aux règlements fédéraux, provinciaux et locaux.

Réparations

Pour les réparations, retournez outil, batterie et chargeur à un, retournez-le en entier au centre-service le plus près selon la liste apparaissant à la dernière page de ce manuel.

GARANTIE

Garantie des batteries

Les batteries pour outils sans cordon sont garanties pour un an à compter de la date d'achat.

Chaque outil fabriqué par MILWAUKEE est minutieusement vérifié avant de quitter l'usine. S'il survient un trouble, retournez l'outil port payé au siège social de la compagnie ou à une succursale ou un centre de service MILWAUKEE accrédité. Si l'examen de l'outil démontre que le trouble est dû à un défaut de fabrication ou de matériaux, les réparations seront effectuées gratuitement et l'outil vous sera retourné aux frais de la compagnie. Les batteries servant aux outils sans cordon sont garanties pour un an à compter de la date d'achat.

La présente garantie ne s'applique pas dans les cas suivants : (1) Des réparations ont été effectuées ou tentées par d'autres personnes que des techniciens mandatés par MILWAUKEE ou ses centres de service accrédités. (2) Les réparations sont rendues nécessaires par l'usure normale de l'outil. (3) L'outil a été employé abusivement ou a été endommagé accidentellement. (4) L'usage anormal ou la surcharge de l'outil sont évidents. (5) L'outil a été utilisé après une défaillance partielle. (6) L'outil a été employé avec un accessoire non compatible. Nulle autre garantie, tant écrite que verbale, n'est valable.

ACCESSOIRES



AVERTISSEMENT!

Il faut toujours retirer la batterie et verrouiller la détente de l'outil avant de changer ou d'enlever les accessoires. L'emploi d'accessoires autres que ceux qui sont expressément recommandés pour cet outil peut comporter des risques.

Consultez la liste complète des accessoires dans le catalogue d'outils électriques *MILWAUKEE*. Pour vous procurer le catalogue *MILWAUKEE*, adressez-vous à votre distributeur local ou à un centre-service *MILWAUKEE* accrédité. Reportez-vous à la dernière page de ce manuel pour connaître l'adresse du centre-service le plus près.

Batterie de Power Plus 14,4V

Convient aux chargeur *MILWAUKEE* No de catalogue 48-59-0231, 48-59-041 et 48-59-0245.

1,7 Amp - Heure

No de catalogue 48-11-1000

2,4 Amp - Heure

No de catalogue 48-11-1024

No de Cat. 48-11-1024



Chargeur de Power Plus 120V

Pour la recharge des batteries 12 et 18V de Power Plus.

Rapide Chargeur

No de catalogue 48-59-0241

Un Heure Chargeur

No de catalogue 48-59-0245

No de Cat. 48-59-0245



Jeux de forets hélicoïdaux courts

Jeu de 13 pièces

No de catalogue 48-89-0030

Calibres 1/16" à 1/4" (1,6mm à 6,4mm) par 64e.

Jeu de 15 pièces

No de catalogue 48-89-0020

Calibres 1/16" à 1/2" (1,6mm à 13mm) par 32e.

Jeu de 21 pièces

No de catalogue 48-89-0015

Calibres 1/16" à 3/8" (1,6mm à 9,5mm) par 64e.

Jeu de 29 pièces

No de catalogue 48-89-0010

Calibres 1/16" à 1/2" (1,6mm à 13mm) par 64e.

No de Cat. 48-30-0101



Mandrin sans clé 13mm (1/2")

No de catalogue 48-66-1400

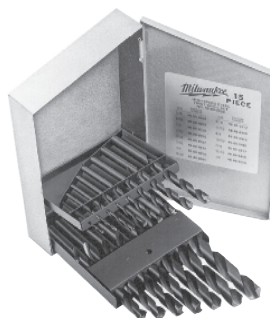
No de catalogue 48-66-1375

Pourvu d'un robuste boîtier en nylon. Mâchoires et corps plaqués nickel anti-rouille. Employé avec les perceuses sans cordon 1/2" (13mm)-filetage 20.

Kit d'accessoires de perceuse-tournevis

No de catalogue 48-30-0101

Contient tourne-douille 1/4" (6,4mm), tournevis à fente 6F-7R, pièces tournevis Phillips #1 et #2, forets hélicoïdaux 1/4" et 3/16" (6,4mm et 5mm) et deux forets hélicoïdaux 1/8" (3,2mm).



No de Cat. 48-89-0020

Coffret d'plastique

No de catalogue 48-55-3015

INSTRUCCIONES GENERALES DE SEGURIDAD - PARA LAS HERRAMIENTAS A BATERIAS



¡ADVERTENCIA!

LEA Y ENTIENDA TODAS LAS INSTRUCCIONES

Se debe seguir todas las instrucciones a continuación para evitar una descarga eléctrica, incendio y/o lesiones graves.

GUARDE ESTAS INSTRUCCIONES

AREA DE TRABAJO

1. **Mantenga el área de trabajo limpia e iluminada.** Las mesas de trabajo desordenadas y las áreas con poca iluminación propician los accidentes.
2. **No opere las herramientas con motor en ambientes explosivos, tales como los ambientes con líquidos, gases o polvo inflamables.** Las herramientas con motor producen chispas que pueden inflamar el polvo o los gases.
3. **Mantenga a las personas alejadas mientras esté utilizando una herramienta con motor.** Las distracciones pueden causar la pérdida del control de la herramienta. Proteja a las demás personas en el área de trabajo contra escombros, tales como astillas y chispas. Instale barreras si se necesitan.

SEGURIDAD ELECTRICA

4. **No utilice los cordones de manera inadecuada. Nunca transporte la herramienta por el cordón. Mantenga el cordón alejado del calor, aceite, bordes afilados o partes en movimiento. Sustituya los cordones dañados inmediatamente.** Los cordones dañados pueden causar un incendio.
5. **Una herramienta con baterías incorporadas o con una batería separada debe ser recargada solamente con el cargador específico para este tipo de batería.** Un cargador que es apropiado para un tipo de batería puede producir riesgo de incendio si se usa con otra batería.
6. **Use la herramienta a batería solamente con la batería específicamente designada para ella.** El uso de cualquier otro tipo de batería puede producir riesgo de incendio.

SEGURIDAD PERSONAL

7. **Ponga mucha atención, fíjese en lo que hace y use su sentido común al operar una herramienta con motor. No use la herramienta cuando esté cansado o bajo la influencia del alcohol, drogas o medicamentos.** Descuidarse por sólo un momento cuando se esté utilizando la herramienta, puede resultar en lesiones graves.
8. **Vístase apropiadamente. No lleve ropa o joyas sueltas. Mantenga el pelo largo recogido. Mantenga el cabello, la ropa y los guantes alejados de las partes en movibles.** Las ropas sueltas, las joyas, o el cabello largo pueden engancharse en las partes movibles.
9. **Evite el encendido accidental de la herramienta. Asegúrese que el gatillo esté bloqueado o apagado antes de insertar la batería.** Llevar la herramienta con el dedo sobre el gatillo o insertar la batería en una herramienta con el gatillo encendido, aumenta el riesgo de accidentes.
10. **Saque las llaves antes de encender la herramienta.** Una llave sujeta a una parte en movimiento puede causar lesiones.
11. **No se aleje demasiado del material de trabajo. Siempre mantenga el equilibrio.** El equilibrio correcto permite el mejor control de la herramienta durante situaciones inesperadas.
12. **Utilice el equipo de seguridad. Siempre utilice la protección para los ojos.** Se debe usar una máscara contra el polvo, zapatos

de seguridad antidelizantes, casco y protector para los oídos, cuando las condiciones así lo requieran.

EL USO Y MANTENIMIENTO DE LA HERRAMIENTA

13. **Utilice abrazaderas u otra manera práctica para sujetar y apoyar el material en una plataforma estable.** Tener el material en la mano o contra el cuerpo es inestable y puede causar la pérdida del control.
14. **No fuerce la herramienta. Utilice la herramienta apropiada para la aplicación.** La herramienta realizará el trabajo de manera más eficaz y segura, si la opera a la velocidad apropiada.
15. **Si el gatillo no enciende o apaga la herramienta, no utilice la herramienta.** Una herramienta que no se puede controlar con el gatillo es peligrosa y debe ser reparada.
16. **Desconecte la batería de la herramienta o coloque el gatillo en la posición de bloqueo o apagado antes de realizar un ajuste, cambiar accesorios o almacenar la herramienta.** Tales medidas preventivas de seguridad reducen el riesgo de encender la herramienta accidentalmente.
17. **Almacene las herramientas que no se estén usando fuera del alcance de los niños y de personas que no estén capacitadas.** Es peligroso permitir a los usuarios utilizar las herramientas, si no están capacitados previamente.
18. **Cuando la herramienta no esté en uso, manténgala alejada de otros objetos metálicos tales como clips, moneda, llaves, clavos, tornillos u otros objetos pequeños metálicos que pueden realizar una conexión desde un terminal a otro.** Hacer un cortocircuito de los terminales de la batería, puede producir chispas, quemaduras o un incendio.
19. **Mantenga las herramientas en buenas condiciones. Las herramientas cortadoras deben mantenerse afiladas y limpias.** Esto reduce el riesgo de que la herramienta se atasque y facilita el control de la misma.
20. **Verifique que las partes en movimiento estén alineadas y no estén atascadas. También debe verificarse que las partes no estén rotas o tengan cualquier otra condición que pueda afectar el funcionamiento de la herramienta. Si está dañada, se debe reparar la herramienta antes de utilizarla.** Muchos accidentes se deben al mantenimiento incorrecto de la herramienta. No utilice una herramienta dañada. Ponga una etiqueta que diga "No utilizar" sobre la herramienta hasta que esté reparada.
21. **Utilice solamente los accesorios recomendados por el fabricante para ese modelo.** Los accesorios que son apropiados para una herramienta pueden aumentar el riesgo de lesiones cuando se usan con otra herramienta.

SERVICIO

22. **El servicio de mantenimiento debe ser realizado solamente por personal técnico debidamente capacitado.** El servicio o mantenimiento realizado por personal no calificado puede aumentar el riesgo de lesiones.
23. **Cuando realice el servicio de mantenimiento, utilice solamente repuestos idénticos. Siga las instrucciones en la etiqueta de mantenimiento de este manual.** El uso de partes no autorizadas o el incumplimiento de las instrucciones de mantenimiento puede aumentar el riesgo de descarga eléctrica o lesiones.

REGLAS ESPECIFICAS DE SEGURIDAD

1. Tome la herramienta por la superficie de agarre con aislado, mientras realice una operación en que la herramienta cortadora pueda tener contacto con alambres escondidos. El contacto de una herramienta con un alambre electrificado conectará las partes metálicas expuestas de la herramienta y dará una descarga al usuario.
2. Mantenga las manos alejadas de todos los bordes cortadores y partes en movimiento.
3. Guarde las etiquetas y placas de especificaciones. Estas tienen información importante. Si son ilegibles o si no se pueden encontrar, póngase en contacto con un centro de servicio de **MILWAUKEE** para una refacción gratis.
4. Al emplear la herramienta durante períodos prolongados utilice protectores para los oídos. La exposición prolongada al ruido de alta intensidad puede causar sordera.

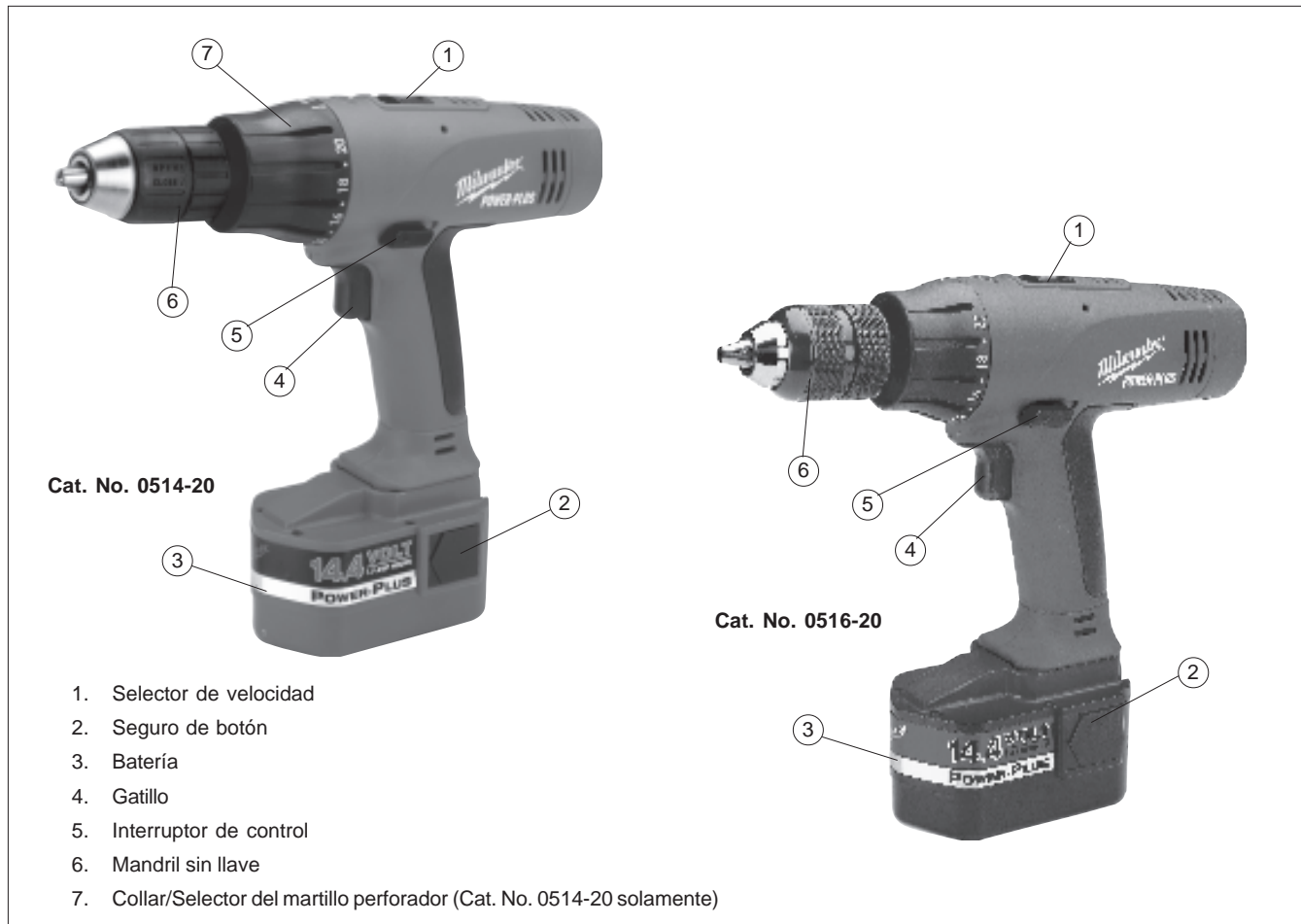
Simbología

	Underwriters Laboratories, Inc.
	Canadian Standards Association
	Baterías de níquel cadmio correctamente recicladas
	Voltas Corriente Directa
	No de revoluciones de carga por minuto (RPM)

Especificaciones

Catálogo Numero	Volts	RPM sin Carga	Golpes sin carga	Capacidades		
				Acero	Madera	Concreto
0514-20	14,4	Baja 0-450 Alta 0-1 450	Baja 0-5 850 Alta 0-18 850	13mm (1/2")	38mm (1-1/2")	9,5mm (3/8")
0516-20	14,4	Baja 0-450 Alta 0-1 450	N/A	13mm (1/2")	38mm (1-1/2")	N/A

DESCRIPCIÓN FUNCIONAL





¡ADVERTENCIA!

Cargue solamente las baterías **MILWAUKEE** de Power Plus de 12 voltios, 14,4 voltios y 18 voltios en cargadores de Power Plus. Otros tipos de baterías pueden explotar y causar heridas personales y daños.

Cargue su batería antes de usar su herramienta por primera vez o cuando la misma no opera ya con el poder y torque necesario para la aplicación. La capacidad total de carga de batería es alcanzada sólo después de 4-5 cargas. Nunca permita que la batería se descargue por completo. El tiempo estándar de cargado variará dependiendo del voltaje en el tomacorriente y de la carga que necesita la batería. Por ejemplo, si su batería no requiere una carga completa, el tiempo para cargarla será menor.

PARA CONOCER LAS INSTRUCCIONES ESPECÍFICAS DE CARGADO, POR FAVOR LEA LA HOJA DE INSTRUCCIONES QUE VIENE CON SU CARGADOR.

Las baterías pueden ser afectadas por la temperatura. Su batería se desempeñará mejor y tendrá una vida mas larga si se le carga donde la temperatura sea entre 15° - 27°C (60°- 80°F). No cargue cuando la temperatura está por debajo de 5°C (40°F) o por encima de 40°C (105°F). Si lo hace en estas condiciones, reducirá la capacidad. Vea "Mantenimiento".

Como se quita la batería de la herramienta

Presione el botón de liberación y saque la batería.

Cómo se coloca la batería en la herramienta (Fig. 1 y 2)

La batería puede ser insertada en la herramienta de dos maneras.

Fig. 1



1. Para trabajar en espacios reducidos.

Coloque la batería desde el frente, presionando el botón de liberación, deslizando la batería en la parte principal de la herramienta. Coloque la batería hasta que la grapa se accione.

Fig. 2



Cat. No. 0516-20

2. Para una óptima distribución de peso y equilibrio.

Coloque la batería desde la parte posterior, presionando el botón de liberación y deslizando la batería en el cuerpo de la herramienta. Coloque la batería hasta que la grapa se accione.

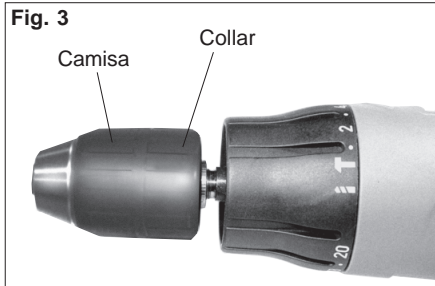


¡ADVERTENCIA!

Para reducir el riesgo de lesiones, use siempre lentes de protección.

Cómo utilizar el mandril sin llave (Fig. 3)

Siempre saque la batería o asegure el gatillo antes de insertar o sacar las brocas.

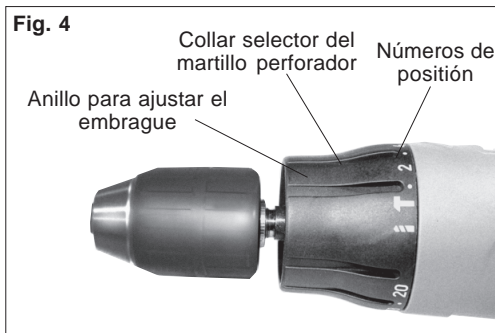


1. Para abrir las garras del mandril, sostenga el collar mientras gira la camisa en dirección contraria a las manecillas del reloj.
 Cuando utilice las brocas para taladrar, deje que la broca toque el fondo del mandril. Centre la broca en las garras del mandril y levántela alrededor de 1,6mm (1/16") del fondo.
 Cuando utilice las brocas para atornillar, inserte la broca lo suficientemente lejos de las garras del mandril para tomar la parte hexagonal de la broca.
2. Para cerrar las garras del mandril, sostenga el collar mientras gira la camisa en la dirección de las manecillas del reloj. Asegúrelas firmemente.
3. Para sacar la broca, sostenga el collar mientras gira la camisa en la dirección opuesta a las manecillas del reloj.

Uso del embrague (Fig. 4)

Esta herramienta tiene un embrague para atornillar los diferentes tipos de tornillos en los diferentes tipos de materiales. Cuando es ajustado en forma adecuada, el embrague se deslizará a un torque predeterminado para prevenir el introducir el tornillo a mucha profundidad o evitar daños al tornillo o a la herramienta.

Para ajustar el embrague, gire el anillo que ajusta el embrague a una de las veinte posiciones indicadas en el anillo de ajuste.



Las especificaciones de torque aquí indicadas son valores aproximados obtenidos con una batería cargada completamente.

	Torque	
	0514-20	0516-20
Posiciones 1 - 5	0 - 1,6Nm (0 - 14 plug. libra)	0 - 1,6Nm (0 - 14 plug. libra)
Posiciones 6 - 10	2,25 - 4,63Nm (20 - 41 plug. libra)	2,25 - 4,63Nm (20 - 41 plug. libra)
Posiciones 11 - 15	5,2 - 6,78Nm (46 - 60 plug. libra)	5,2 - 6,78Nm (46 - 60 plug. libra)
Posiciones 16 - 20	7,34 - 9,6Nm (65 - 85 plug. libra)	7,34 - 9,6Nm (65 - 85 plug. libra)
Taladro		
Baja	39,5Nm (350 plug. libra)	44Nm (390 plug. libra)
Alta	12,42Nm (110 plug. libra)	14,69Nm (130 plug. libra)

NOTA: Debido a que los valores indicados arriba son sólo una guía, utilice un pedazo de material de desecho para probar las diferentes posiciones del embrague antes de colocar los tornillos en la pieza en que va a trabajar.

Cómo seleccionar la velocidad (Fig. 5)

El selector de velocidad está en la parte superior de la carcasa del motor. Deje que la herramienta se detenga completamente antes de cambiar de velocidad. Ver "Aplicaciones" para las velocidades recomendadas bajo distintas condiciones.



1. Para velocidad **Baja** (hasta 450 RPM), empuje el selector de velocidad hacia atrás. Para velocidad.
2. Para velocidad **Alta** (hasta 1 450 RPM), empuje el selector de velocidad hacia adelante.

Selección de la acción de martillo o de solo taladro (Cat. No. 0514-20 Solo.)

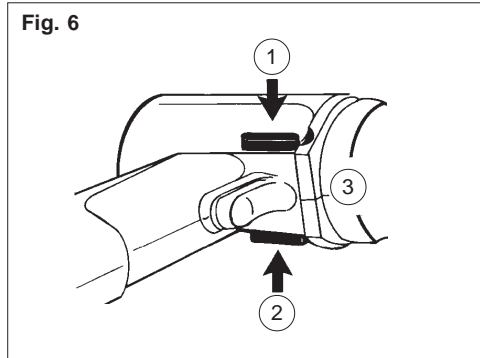
Los martillos-perforadores de empuje están diseñados para funcionar con dos modos de operación: perforación con una acción de martilleo y perforación solamente. Para configurar el modo de operación, gire el collarín de cambio de modo al símbolo deseado. Un símbolo de un perforador o un martillo aparecerá en la parte superior central del collar para indicar el modo de operación.

1. **Para utilizar el modo de perforación de martilleo**, gire el collarín de cambio de modo hasta que aparezca el símbolo de un martillo en la parte superior central del collar. Aplique presión en la broca para activar el mecanismo de martilleo.
2. **Para utilizar el modo de solamente perforación**, gire el collarín de cambio de modo hasta que aparezca el símbolo de un perforador en la parte superior central del collar.

NOTA: Si utiliza brocas de carburo, no utilice agua para eliminar el polvo. No utilice brocas de carburo para perforar varillas de refuerzo de acero. Ambas acciones dañarán el carburo.

Cómo utilizar el interruptor de control (Fig. 6)

El interruptor de control puede ser fijado en tres posiciones: adelante, reversa y seguro. Debido al mecanismo de bloqueo, la palanca de reversa sólo puede ser accionada cuando el interruptor ENCENDIDO/APAGADO no está oprimido. Siempre espere a que el motor esté completamente detenido antes de usar el interruptor de control.



Rotación hacia adelante (en el sentido de las agujas del reloj), coloque el interruptor de control en la posición izquierda (1).

Verifique la dirección de la rotación antes de usar la herramienta.

Rotación opuesta (en el sentido contrario al de las agujas del reloj), coloque el interruptor de control hacia la posición derecha (2).

Verifique la dirección de la rotación antes de usar la herramienta.

Cómo trabar el gatillo, coloque el interruptor de control en el centro (3). El gatillo no funcionará cuando el interruptor de control esté trabado en el centro. Siempre trabe el gatillo o retire las pilas antes de realizar mantenimiento, cambiar los accesorios, almacenar la herramienta o cuando la herramienta no este en uso.

Cómo encender, detener y controlar la velocidad

1. Para **encender** la herramienta, tire el gatillo.
2. Para **detener** la herramienta suelte el gatillo y un freno eléctrico detendrá la herramienta instantáneamente.

Todos los modelos se caracterizan por un gatillo de velocidad variable. Para cambiar la velocidad, simplemente aumente o disminuya la presión sobre el gatillo. Entre más presión en el gatillo, mayor será la velocidad.

Cómo taladrar

Coloque el anillo selector del embrague en la posición de taladro (Cat. No. 0514-20 solo.). Coloque la broca en la superficie del trabajo y aplique una presión firme antes de iniciar. Si se aplica demasiada presión, se frenará la broca y bajará la eficiencia del taladrado. Si se aplica muy poca presión solo se logrará que la broca raspe la superficie del material, sin perforar, y se perderá el filo en la broca.

Si la herramienta se atasca, reduzca suavemente la presión para permitir que la broca recupere velocidad. Si la broca se traba, invierta la marcha del motor para liberar la broca del material en el cual se está trabajando.

APLICACIONES



¡ADVERTENCIA!

Para reducir el riesgo de una descarga eléctrica, antes de empezar la operación, inspeccione el área de trabajo buscando tuberías o cables no visibles.

Cómo taladrar en madera, materiales compuestos y plásticos

Al taladrar en madera, materiales compuestos o plásticos, comience lentamente, aumentando gradualmente la velocidad, a medida que taladra. Cuando taladre en madera, use brocas de de berbequí o brocas convencionales. Siempre utilice brocas afiladas. Cuando utilice brocas convencionales, saque frecuentemente la broca desde la perforación para sacar la virutas desde las ranuras de la broca. Para reducir la probabilidad de que la pieza se fragmente refuerce la pieza en que está trabajando con un pedazo de madera. Cuando trabaje con plásticos, seleccione una velocidad baja con un punto de fusión.

Perforando en metal

Cuando taladre en metal, use brocas de acero alta velocidad o brocas sierras. Cuando taladre en metal, use una marca guía para iniciar la perforación. Lubrique las brocas con aceite cuando taladre en acero o hierro. Use un refrigerante cuando taladre metales no ferrosos como cobre, latón o aluminio. Ponga un respaldo en el material para prevenir que este se doble o distorsione al terminar el taladrado.

Cómo perforar el concreto

Cuando taladre en concreto, seleccione el modo de operación de martillo perforador (Cat. No. 0514-20 solo.). Utilice una velocidad alta y brocas con punta de carburo. Taladrar materiales suaves como bloques de hormigón de escorias, requiere de muy poca presión. Materiales duros como el concreto, requieren más presión. La forma de saber si se está perforando a un ritmo adecuado viene dada por un flujo parejo y suave de polvo. No permita que la borca gire en el agujero sin cortar. Ambas acciones dañarán el carburo.

Colocando tornillos y tuercas

Taladre una perforación guía cuando vaya a atornillar tornillos dentro de maderas o materiales duros. Coloque el anillo selector del embrague en la posición correcta y ponga en Baja, el selector de velocidad. Use el tipo y tamaño adecuado de punta para atornillar de acuerdo al tipo de tornillo que se va a usar.

Con la punta colocada en el tornillo, coloque la punta de este en el material y aplique una presión firme antes de jalar el gatillo. Los tornillos pueden sacarse usando el motor en reversa.

Sobrecarga

Si se sobrecarga constantemente la herramienta, se le puede causar daños permanentes a la misma o a la batería.



¡ADVERTENCIA!

Para reducir el riesgo de una lesión, desconecte siempre la herramienta antes de darle cualquier mantenimiento. Nunca desarme la herramienta ni trate de hacer modificaciones en el sistema eléctrico de la misma. Acuda siempre a un Centro de Servicio MILWAUKEE para todas las reparaciones.

Adopte un programa regular de mantenimiento y mantenga sus baterías y cargador en buenas condiciones. Después de 6 meses a un año, dependiendo del uso dado, envíe su herramienta, batería y cargador, al Centro de Servicio MILWAUKEE más cercano para que le hagan:

- Lubricación
- Inspección y cambio de carbones
- Inspección mecánica y limpieza (engranes, flechas, baleros, carcaza, etc.)
- Inspección eléctrica (batería, cargador, motor)
- Probarla para asegurar una adecuada operación mecánica y eléctrica

Mantenimiento de la herramienta

Si la herramienta no arranca u opera a toda su potencia con una batería completamente cargada, limpie, con una goma o borrador, los contactos de la batería y de la herramienta. Si aun así la herramienta no trabaja correctamente, regrésela, con el cargador y la batería, a un centro de servicio MILWAUKEE para que sea reparada.

Mantenimiento de las baterías

Las baterías MILWAUKEE de Níquel-Cadmio operarán por muchos años y / o cientos de ciclos, cuando son usadas y mantenidas de acuerdo a las instrucciones.

Una batería que está guardada, sin usarse, por seis meses, se descargará. Las baterías se descargan a razón de 1% por día. Con el objeto de maximizar la vida de la batería, cárguela cada seis meses aun si no la usa. No trabe el interruptor en la posición "ON", dejando la herramienta sin cuidados ya que se podría descargar la batería a un grado tal que no podría volver a cargarse nunca más. Use una batería MILWAUKEE hasta que ya no trabaje con la potencia y el torque necesario para la aplicación requerida.

Almacene su batería en un sitio seco y fresco. No lo almacene donde las temperaturas puedan exceder 50°C (120° F), como puede ser dentro de un vehículo o un edificio metálico durante el verano. Las altas temperaturas sobrecalentarán la batería, reduciendo la vida de la misma. Si se le guarda por varios meses, la batería perderá su carga en forma gradual. Se llevará entre uno y tres ciclos de carga y descarga con un uso normal, para que se restablezca la capacidad total de la batería. Durante la vida de la batería, el tiempo operativo de la misma se va reduciendo. Si este tiempo operativo se vuelve demasiado corto luego de una carga adecuada, significa que la vida útil de la batería ha sido concluida y deberá cambiarse por una nueva.



¡ADVERTENCIA!

Para reducir el riesgo de una explosión, no queme nunca una batería, aun si está dañada, "muerta" o completamente descargada.

Limpieza

Limpie el polvo y suciedad de las ventilas del cargador y la herramienta. Mantenga los mangos y empuñaduras limpios, secos y libres de aceite o grasa. Use solo jabón neutro y un trapo húmedo para limpiar la herramienta, batería y el cargador, ya que algunas sustancias y solventes limpiadores son dañinos a los plásticos y partes aislantes. Algunos de estos incluyen: gasolina, turpentina, thinner, lacas, thinner para pinturas, solventes para limpieza con cloro, amoníaco y detergentes caseros que tengan amoníaco. Nunca use solventes inflamables o combustibles cerca de una herramienta.



¡ADVERTENCIA!

Para reducir el riesgo de una lesión, descarga eléctrica o daño a la herramienta, batería o cargador, nunca los sumerja en líquidos ni permita que estos fluyan dentro de los mismos.

Como Desechar las baterías de Níquel - Cadmio

Las baterías de Níquel - Cadmio son reciclables. Bajo ciertas leyes estatales y locales, puede ser ilegal desechar las baterías en el drenaje municipal. Deshágase de ellas de acuerdo a regulaciones federales, estatales o locales.

Reparaciones

Si su herramienta, batería o cargador están dañados, envíela al centro de servicio más cercano de los listados en la cubierta posterior de este manual del operario.

GARANTIA

Garantía de la batería

Las baterías para herramientas están garantizadas por un año a partir de la fecha de compra.

Cada herramienta MILWAUKEE ha sido minuciosamente inspeccionada y probada antes de ser empacada y despachada. En caso de que se presente algún problema, favor de regresar la herramienta completa (flete pagado) a nuestra oficina principal o a cualquiera de nuestros centros de servicio autorizados. Si se encontrase que el problema es causado por falla de origen en alguna de sus partes o componentes, o por fallas en la mano de obra al ser ensamblada, se reparará la herramienta sin cargo y se le regresará (con flete pagado) a su propietario.

Esta garantía pierde su validez cuando: (1) Las reparaciones o intentos por reparar han sido realizados por personas ajenas a la Fábrica, sucursal de Servicio o Taller Autorizado de Servicio MILWAUKEE; (2) Requiere ser reparado por causas de uso y desgaste normal; (3) Se ha abusado de la herramienta o esta ha sufrido algún accidente; (4) Hay un mal uso evidente tal como el causado al sobrecargar la herramienta más allá de su capacidad mencionada; (5) La herramienta ha seguido siendo usada luego de presentar fallas parciales; o (6) Se ha usado la herramienta con un accesorio inadecuado. No se reconoce ninguna otra garantía ni verbal ni escrita.



¡ADVERTENCIA!

Cuando use herramientas eléctricas es necesario siempre seguir ciertas precauciones básicas de seguridad con el objeto de reducir el riesgo de descargas eléctricas o lesiones al operario.

Para una lista completa de accesorios, consulte el catálogo de Herramientas eléctricas **MILWAUKEE** (Milwaukee Electric Tool). A fin de obtener un catálogo, sírvase ponerse en contacto con su distribuidor o centro de servicio local. Para saber la dirección de la localidad más cercana, consulte el reverso de este manual del operario.

Batería de Power Plus de 14,4 Volt

Pueden usarse con los cargadores de **MILWAUKEE** Catálogo No. 48-59-0231, 48-59-0241 y 48-59-0245.

1,7 Amps - Horas

Catálogo No. 48-11-1000

2,4 Amps - Horas

Catálogo No. 48-11-1024

Catálogo No. 48-11-1024



Cargador de Power Plus de 120 Volt

Para cargar batería de 12 hasta 18 Volt de Power Plus.

Cargador Rápido

Catálogo No. 48-59-0241

Cargador 1 - Horas

Catálogo No. 48-59-0245

Catálogo No. 48-59-0245



Juego de brocas convencionales

Juego de 13 Piezas

Catálogo No. 48-89-0030

Tamaños de 1,6mm hasta 6,4mm (1/16" hasta 1/4") en 64 avos.

Juego de 15 Piezas

Catálogo No. 48-89-0020

Tamaños de 1,6mm hasta 13mm (1/16" hasta 1/2") en 32 avos.

Juego de 21 Piezas

Catálogo No. 48-89-0015

Tamaños de 1,6mm hasta 9,5mm (1/16" hasta 3/8") en 64 avos.

Juego de 29 Piezas

Catálogo No. 48-89-0010

Tamaños de 1,6mm hasta 13mm (1/16" hasta 1/2") en 64 avos.

Catálogo No. 48-30-0101



Broqueros sin llave 13mm (1/2")

Catálogo No. 48-66-1400

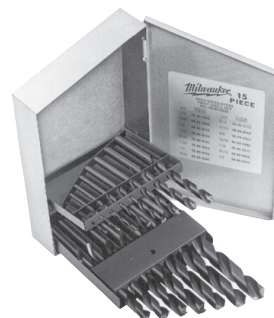
Catálogo No. 48-66-1375

Con resistente caja, con uñas y cuerpo cubierto de níquel, resistentes al polvo. Para taladros a batería de 13mm (1/2") - 20 hilos.

Juego de accesorios para taladro / atornillador

Catálogo No. 48-30-0101

Incluye un socket de 6,4mm (1/4"), una punta plana 6F-7R, una punta Phillips #1 y una #2, brocas de 6,4mm y 5mm (1/4" y 3/16") y dos brocas de 3,2mm (1/8").



Catálogo No. 48-89-0020

Estuche plástico

Catálogo No. 48-55-3015

UNITED STATES

MILWAUKEE Service

To locate the *factory* SERVICE CENTER or authorized service station nearest you, call

1-800-414-6527

TOLL FREE • NATIONWIDE

Monday-Friday • 8:00 AM - 4:30 PM • Local Time

In addition, there is a worldwide network of distributors ready to assist you. Check your "Yellow Pages" under "Tools—Electric" for the names of those nearest you.

For further information on *factory* SERVICE CENTER or authorized service station locations, visit our website at:

www.mil-electric-tool.com

Corporate Product Service Support -
Warranty and Technical Information

Brookfield, Wisconsin USA

1-800-729-3878

WARNING! Some dust created by power sanding, sawing, grinding, drilling, and other construction activities contains chemicals known to cause cancer, birth defects or other reproductive harm. Some examples of these chemicals are:

- lead from lead-based paint
- crystalline silica from bricks and cement and other masonry products, and
- arsenic and chromium from chemically-treated lumber.

Your risk from these exposures varies, depending on how often you do this type of work. To reduce your exposure to these chemicals: work in a well ventilated area, and work with approved safety equipment, such as those dust masks that are specially designed to filter out microscopic particles.

CANADA

Service MILWAUKEE

Milwaukee Electric Tool (Canada) Ltd

755 Progress Avenue

Scarborough, Ontario M1H 2W7

Tel. (416) 439-4181

Fax: (416) 439-6210

En outre le réseau de distributeurs est à la disposition de la clientèle d'un océan à l'autre. Consultez les pages jaunes de l'annuaire téléphonique pour l'adresse du centre le plus près de chez vous.

In addition, there is a worldwide network of distributors ready to assist you. Check your "Yellow Pages" under "Tools—Electric" for the names of those nearest you.

MEXICO

Servicios de MILWAUKEE

Milwaukee Electric Tool

División de : Atlas Copco Mexicana S.A. de C.V.

Blvd. Abraham Lincoln no. 13

Colonia Los Reyes Zona Industrial

Tlalnepantla, Edo. México C.P. 54073

Tels. 5565-1414 5565-4720 Fax: 5565-0925

Además se cuenta con una red nacional de distribuidores listos para apoyarlo. Vea en las "Páginas Amarillas" sección "Herramientas Eléctricas".

MILWAUKEE ELECTRIC TOOL CORPORATION

A Company within the Atlas Copco Group

13135 West Lisbon Road • Brookfield, Wisconsin, U.S.A. 53005

Free Manuals Download Website

<http://myh66.com>

<http://usermanuals.us>

<http://www.somanuals.com>

<http://www.4manuals.cc>

<http://www.manual-lib.com>

<http://www.404manual.com>

<http://www.luxmanual.com>

<http://aubethermostatmanual.com>

Golf course search by state

<http://golfingnear.com>

Email search by domain

<http://emailbydomain.com>

Auto manuals search

<http://auto.somanuals.com>

TV manuals search

<http://tv.somanuals.com>