



SERVICE PARTS LIST

1/2 H.P. BENCH GRINDER

Catalog No. **5020**

MODEL
REF. NO. **62613**

Both Model and Serial No. must be furnished to obtain correct parts.

BUL. 54-22-0110

REVISED BUL 695-1 DATE June '70

WIRING INSTR.

208/220/440 VOLT THREE PHASE

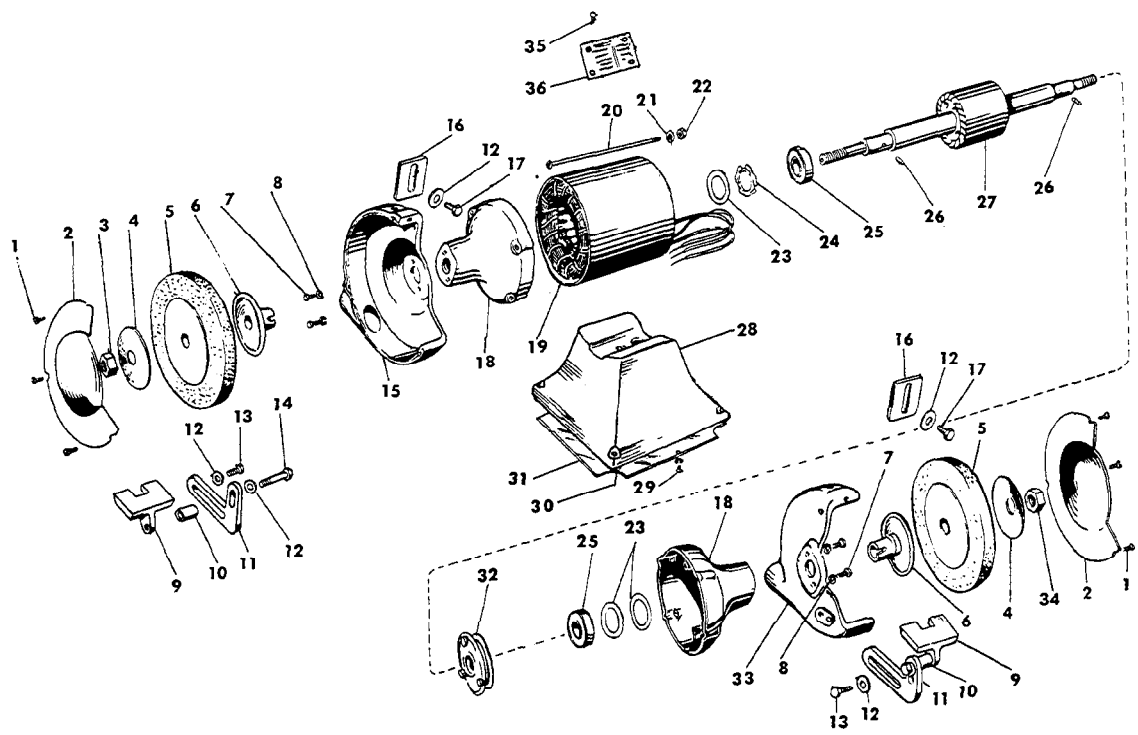


FIG.	PART NO.	DESCRIPTION OF PART	NO. REQ.	FIG.	PART NO.	DESCRIPTION OF PART	NO. REQ.
1	06-81-4693	1/4-20x3/8 Rd. Hd. Screw	(6)	20	06-75-0057	10-32x7-1/8 Cap Screw	(4)
2	42-92-0035	Wheel Guard Cover	(2)	21	06-97-4125	Lock Washer	(7)
3	06-55-3325	5/8-18 Hex Nut	(1)	22	06-55-1100	Hex Nut	(4)
4	43-34-0046	Outer Wheel Flange	(4)	23	45-14-0110	Shim - .030 Thick	
5	-	Grinding Wheel	(2)	24	40-50-7655	Wavy Spring	(1)
6	43-34-0045	Inner Wheel Flange	(6)	25	02-04-5050	Bearing	(2)
7	06-75-0310	5/16-18x7/8 Cap Screw	(4)	26	06-65-1528	1/8x3/8 Roll Pin	(2)
8	06-97-4100	Lock Washer	(4)	27	23-40-0270	Rotor	(1)
9	44-85-0100	Tool Rest Assembly	(2)	28	42-20-0290	Grinder Base	(1)
10	45-36-0550	Tool Rest Spacer	(2)	29	06-81-4650	10-32x3/8 Rd. Hd. Screw	(4)
11	42-09-0060	Tool Rest Arm	(2)	30	42-38-0020	Rubber Bumper	(4)
12	45-88-5261	Flat Washer	(7)	31	42-92-0030	Base Cover	(1)
13	06-75-0485	3/8-24x1 Cap Screw	(4)	32	23-66-0620	Rotary Switch	(1)
14	06-10-3100	3/8-24x2 Car. Bolt	(2)	33	43-54-0066	Wheel Guard	(1)
15	43-54-0065	Wheel Guard	(1)	34	06-55-3300	5/8-18 Hex Nut	(1)
16	43-54-0067	Spark Guard	(2)	35	44-60-0290	Nameplate Pin	(4)
17	06-75-0075	1/4-20x1/2 Hex. Hd. Screw	(2)	36	12-98-0400	Nameplate	(1)
18	42-25-0071	End Bell	(2)	37	22-12-0060	Conduit Box (Not Shown)	(1)
19	23-58-0310	Stator	(1)	38	23-16-0400	Switch Insulator (Not Shown)	(1)

Free Manuals Download Website

<http://myh66.com>

<http://usermanuals.us>

<http://www.somanuals.com>

<http://www.4manuals.cc>

<http://www.manual-lib.com>

<http://www.404manual.com>

<http://www.luxmanual.com>

<http://aubethermostatmanual.com>

Golf course search by state

<http://golfingnear.com>

Email search by domain

<http://emailbydomain.com>

Auto manuals search

<http://auto.somanuals.com>

TV manuals search

<http://tv.somanuals.com>