



SERVICE PARTS LIST

BUL. 54-22-0051

3/4 H.P. BENCH GRINDER

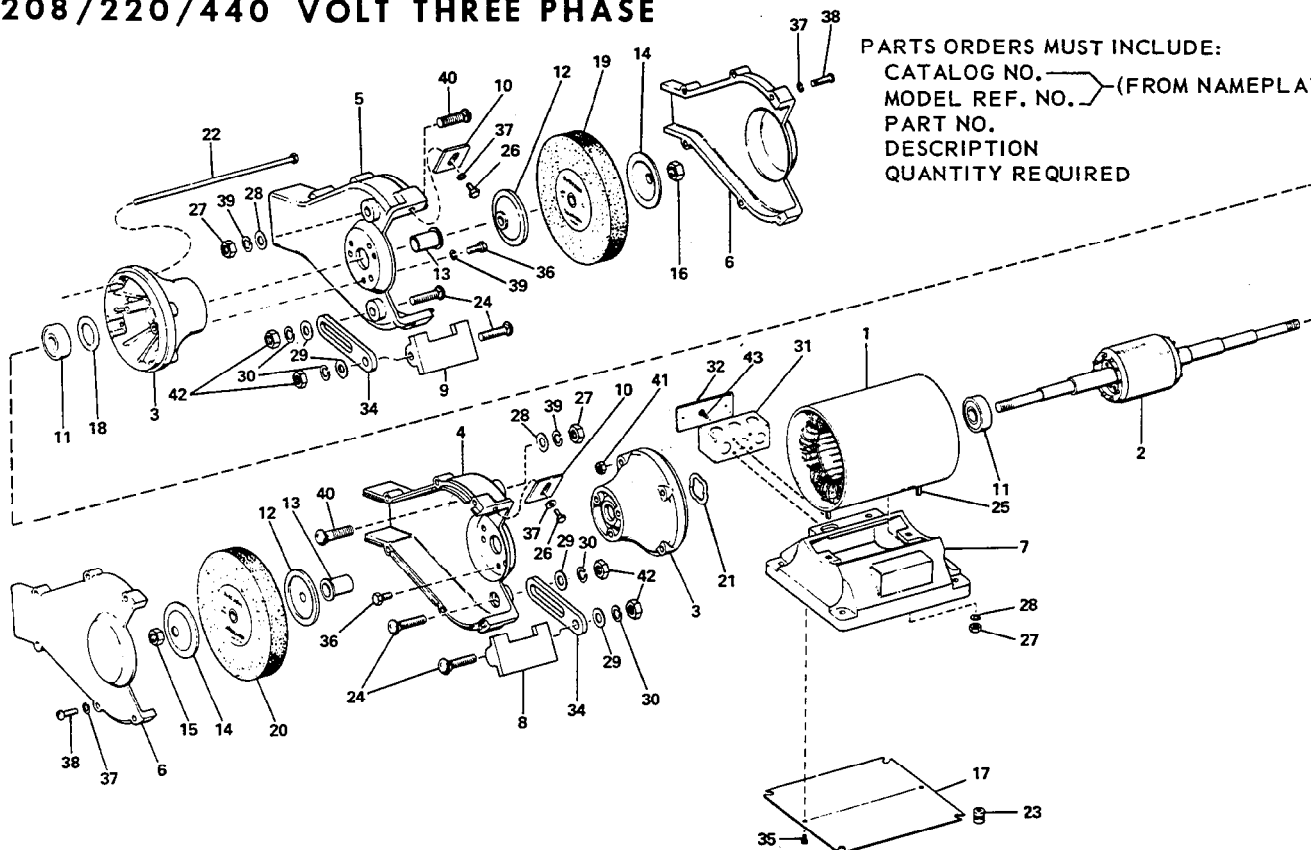
REVISED BUL. DATE May '93

Catalog No. 5060

MODEL REF. NO. **63109-D**

WIRING INSTR. (Refer to Diagram on fig. 32)

208/220/440 VOLT THREE PHASE



PARTS ORDERS MUST INCLUDE:
 CATALOG NO. (FROM NAMEPLATE)
 MODEL REF. NO. (FROM NAMEPLATE)
 PART NO.
 DESCRIPTION
 QUANTITY REQUIRED

FIG.	PART NO.	DESCRIPTION OF PART	NO. REQ.	FIG.	PART NO.	DESCRIPTION OF PART	NO. REQ.
1	23-58-0330	Wound Stator with Frame	(1)	23	42-38-0085	Rubber Base Bumper	(4)
2	23-40-0290	Rotor and Shaft Assembly	(1)	24	06-10-1275	3/8-16x1-3/8 Carriage Bolt	(4)
3	42-25-0245	End Shield	(2)	25	06-10-3200	5/16-18x7/8 Carriage Bolt	(2)
4	43-54-0136	L.H. Wheel Guard	(1)	26	06-75-0075	1/4-20x1/2 Hex. Hd. Bolt	(2)
5	43-54-0135	R.H. Wheel Guard	(1)	27	06-55-1990	5/16-18 Hex. Nut	(4)
6	42-92-0105	Wheel Guard Cover	(2)	28	45-88-5245	5/16 Flat Washer	(4)
7	42-20-0276	Base	(1)	29	45-88-5261	3/8 Flat Washer	(4)
8	44-85-0125	L.H. Tool Rest	(1)	30	06-97-4125	3/8 Lock Washer	(4)
9	44-85-0115	R.H. Tool Rest	(1)	31	22-12-0045	Conduit Box	(1)
10	45-12-0125	Spark Guard	(2)	32	42-92-0225	Conduit Box Cover	(1)
11	02-04-5045	Bearing	(2)	34	42-36-0030	Tool Rest Support	(2)
12	43-34-0025	Inner Wheel Flange	(2)	35	06-81-0275	10-32x3/8 Pan Hd. Screw	(2)
13	45-36-0635	Spacer Sleeve	(2)	36	06-75-0310	5/16-18x7/8 Hex. Hd. Bolt	(6)
14	43-34-0047	Outer Wheel Flange	(2)	37	06-97-4000	1/4 Lock Washer	(14)
15	06-55-3325	L.H. 5/8-18 Hex. Nut	(1)	38	06-81-4750	1/4-20x1 Round Hd. Screw	(12)
16	06-55-3300	R.H. 5/8-18 Hex. Nut	(1)	39	06-97-4100	5/16 Lock Washer	(8)
17	42-92-0055	Base Cover	(1)	40	06-10-3230	5/16-18x1-3/8 Carriage Bolt	(2)
18	45-14-0111	Shim	(1)	41	06-57-6060	10-32 Whiz Nut	(4)
19	-	Grinding Wheel (See Catalog)	(1)	42	06-57-5165	3/8-16 Hex Lock Nut	(4)
20	-	Grinding Wheel (See Catalog)	(1)	43	06-81-0450	8-32x3/8 Pan Hd. Screw	(2)
21	40-50-7661	Finger String	(1)				
22	06-75-0068	10-32x10 Long thru Bolt	(4)				

Free Manuals Download Website

<http://myh66.com>

<http://usermanuals.us>

<http://www.somanuals.com>

<http://www.4manuals.cc>

<http://www.manual-lib.com>

<http://www.404manual.com>

<http://www.luxmanual.com>

<http://aubethermostatmanual.com>

Golf course search by state

<http://golfingnear.com>

Email search by domain

<http://emailbydomain.com>

Auto manuals search

<http://auto.somanuals.com>

TV manuals search

<http://tv.somanuals.com>