



# SERVICE PARTS LIST

BUL. 54-22-0050

## 3/4 H.P. BENCH GRINDER

REVISED BUL  
6102-1

DATE  
Nov. '68

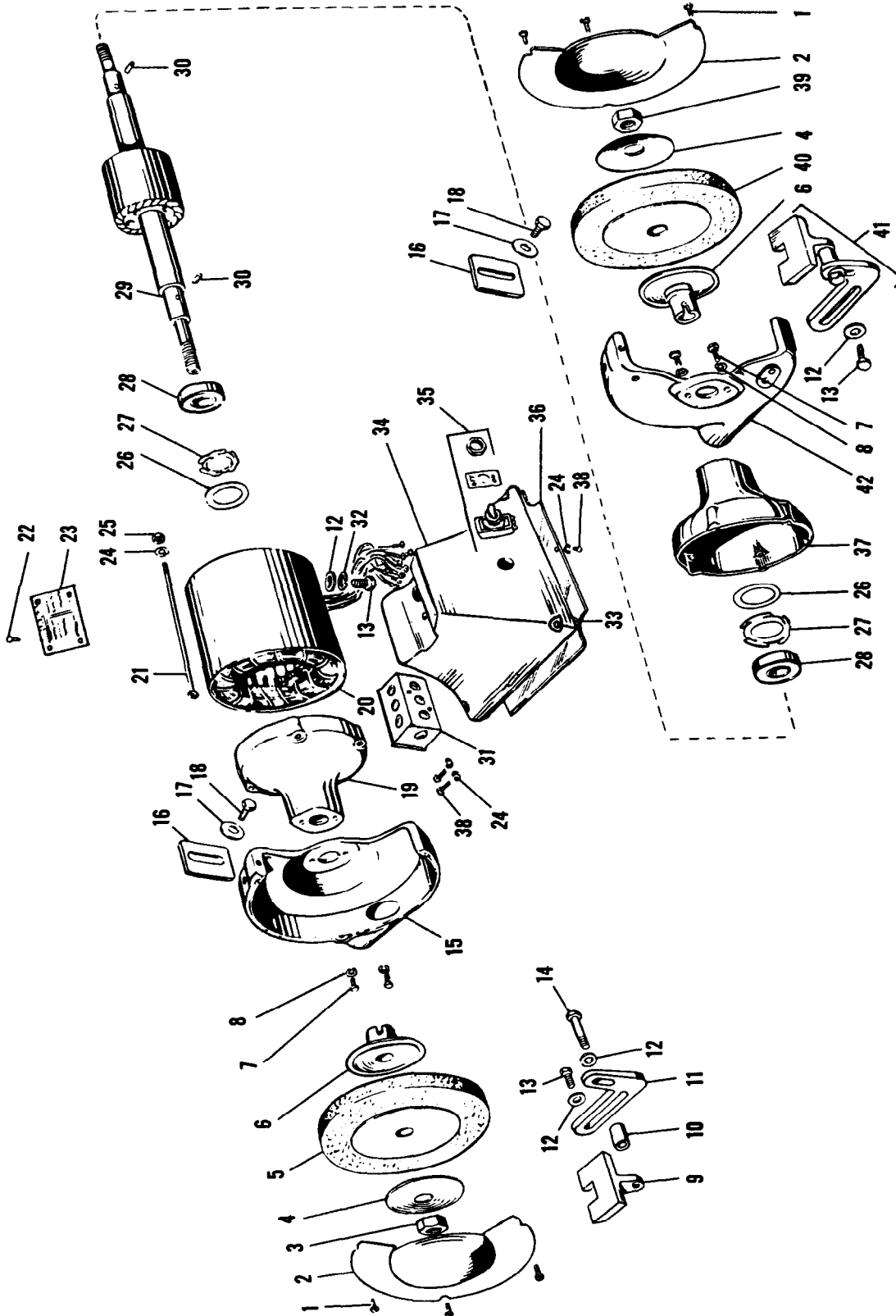
### Catalog No. 5060

### MODEL REF. NO. 63109B

WIRING INSTR.

Both Model and Serial No. must be furnished to obtain correct parts.

### 208/220/440 VOLT THREE PHASE



**MILWAUKEE ELECTRIC TOOL CORP.**

13135 West Lisbon Road • Brookfield, Wisconsin 53005



# SERVICE PARTS LIST

## BENCH GRINDER

When ordering replacement parts, please give complete motor identification number off name plate of tool.

### ILLUSTRATED PARTS

FIG.	PART NO.	DESCRIPTION OF PART	FIG.	PART NO.	DESCRIPTION OF PART
1	06-81-4693	Rd.Hd. Screw	22	44-60-0290	Name Plate Pin
2	42-92-0040	Wheel Guard Cover	★ 23	12-98-0410	Name Plate
3	06-55-3325	L.H. Hex Nut	24	06-97-3400	Lock Washer
4	43-34-0046	Outer Wheel Flange	25	06-55-1100	Hex Nut
5	See Catalog	Grinding Wheel	26	45-14-0110	Shim Washer
6	43-34-0045	Inner Wheel Flange	27	40-50-7655	Bearing Loading Spring
7	06-75-0310	Cap Screw	28	02-04-5050	Ball Bearing
8	06-97-4100	Lockwasher	29	23-40-0290	Rotor Assembly
9	44-85-0100	Tool Rest	30	06-65-1528	Roll Pin
10	45-36-0550	Spacer	31	22-12-0060	Conduit Box and Cover
11	42-09-0060	Tool Rest Arm	32	06-97-4125	Lock Washer
12	06-97-4125	Lock Washer	33	47-38-0020	Bumper
13	06-75-0480	Cap Screw	34	42-20-0080	Base Casting
14	06-75-0490	Cap Screw	35	23-66-0640	Toggle Switch
15	43-54-0070	L.H. Wheel Guard	36	42-92-0030	Base Cover
16	43-54-0067	Spark Guard	37	42-25-0071	Motor Endshield R.H.
17	45-88-5220	Washer	38	06-81-4650	Rd.Hd. Screw
18	06-75-0075	Cap Screw	39	06-55-3300	R.H. Nut
19	42-25-0071	L.H. Motor End Shield	40	See Catalog	Grinding Wheel
20	23-58-0330	Stator Assembly	41	44-85-0090	Tool Rest Assembly
21	06-75-0064	Thru Bolt, Hex. Hd.	42	43-54-0075	R.H. Wheel Guard

### MISCELLANEOUS PARTS NOT SHOWN

PART NO.	DESCRIPTION OF PART	PART NO.	DESCRIPTION OF PART
06-81-4567	8-32x3/8 Rd.Hd. Brass Ground Screw	06-97-3210	#8 Lock Washer
42-92-0220	Box Cover	23-16-0400	Switch Insulator
45-88-5261	25/64 Flat Washer	06-55-2450	3/8-24 Hex Nut
06-92-1100	3/8-24x1-3/8 Stud		

## Free Manuals Download Website

<http://myh66.com>

<http://usermanuals.us>

<http://www.somanuals.com>

<http://www.4manuals.cc>

<http://www.manual-lib.com>

<http://www.404manual.com>

<http://www.luxmanual.com>

<http://aubethermostatmanual.com>

Golf course search by state

<http://golfingnear.com>

Email search by domain

<http://emailbydomain.com>

Auto manuals search

<http://auto.somanuals.com>

TV manuals search

<http://tv.somanuals.com>