



# SERVICE PARTS LIST

BUL. 54-22-0060

## 1 H.P. BENCH GRINDER

REVISED BUL  
6103-1

DATE  
Aug, '68

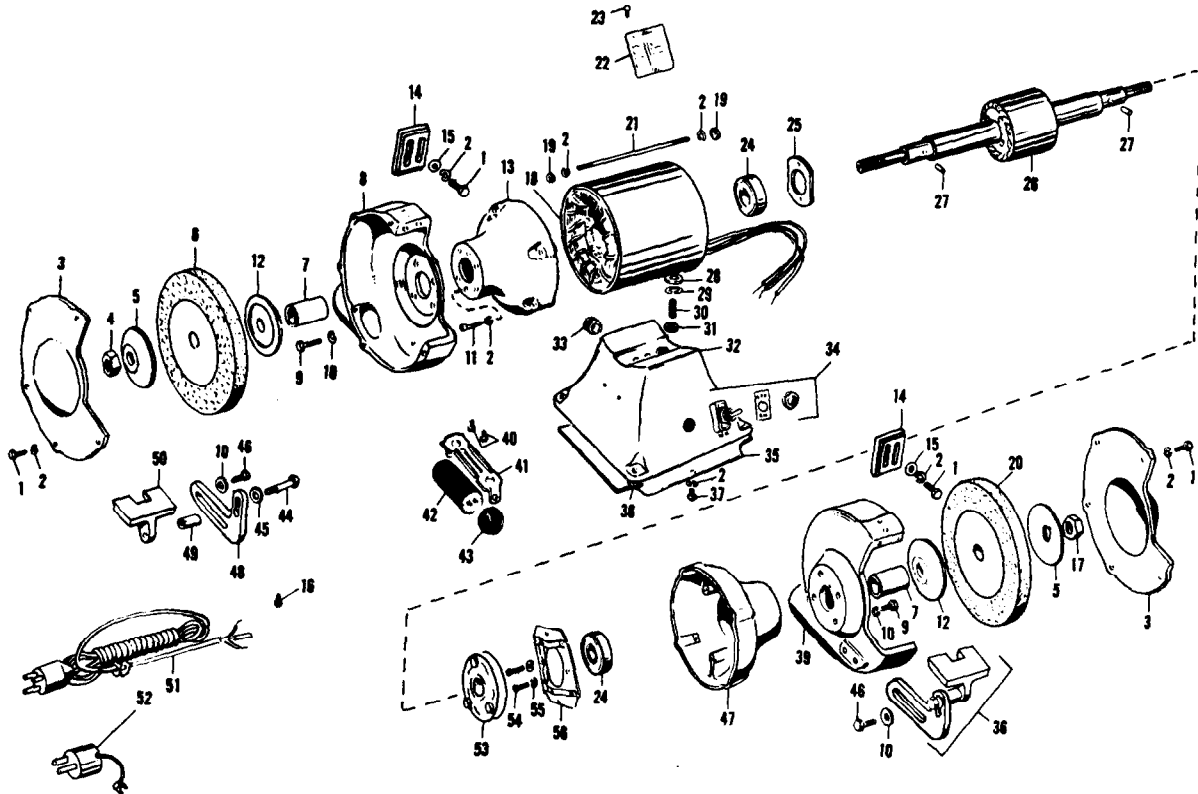
Catalog No. **V-101**

Starting  
Serial No. **103-1001**

WIRING INSTR.

Both Model and Serial No. must be furnished to obtain correct parts.

115/230 V SINGLE PHASE



| FIG. | PART NO.      | DESCRIPTION OF PART     | FIG. | PART NO. | DESCRIPTION OF PART |                         |
|------|---------------|-------------------------|------|----------|---------------------|-------------------------|
| 1    | 1/4"-20x7/8"  | Hex. Hd. Screw          | (10) | 29       | 1/2"                | Lock Washer             |
| 2    | 1/4" I.D.     | Lock Washer             | (18) | 30       | 1/2"-20x1 1/2"      | Stud                    |
| 3    | 1BG4-2        | Wheel Guard Cover       | (2)  | 31       | 1/2-20              | Hex. Nut                |
| 4    | 3/4"-16       | L.H. Hex Nut            | (2)  | 32       | 1BG-1               | Base Casting            |
| 5    | 1BG-7         | Outer Wheel Flange      | (2)  | 33       | 11BG1-5             | T & B Connector         |
| 6    | 10GW-34C      | Grinding Wheel (Coarse) | (2)  | 34       | 7360K8              | Switch Assembly         |
| 7    | 11BG6-1       | Spacer Sleeve           | (2)  | 35       | 1BG1-1              | Base Cover              |
| 8    | 1BG-4         | L.H. Wheel Guard        | (8)  | 36       | 1BG-900             | Tool Rest Assembly      |
| 9    | 3/8"-16x1"    | Hex. Hd. Screw          | (8)  | 37       | 10-32x3/8           | Rd. Hd. Screw (2)       |
| 10   | 3/8" I.D.     | Lock Washer             | (8)  | 38       | 2BG1-4              | Rubber Bumper (2)       |
| 11   | 1/4-20x1 1/2" | Fil. Hd. Screw          | (8)  | 39       | 1BG4-1              | R. H. Wheel Guard       |
| 12   | 1BG-5         | Inner Wheel Flange      | (2)  | 40       | 10-32x1/2"          | Flat Hd. Screw          |
| 13   | 1BG1-2        | L. H. Endshield         | (2)  | 41       | 4BG13-1             | Capacitor Mounting Clip |
| 14   | 1BG4-3        | Spark Guard             | (2)  | 42       | 1BG-13              | Capacitor               |
| 15   | 1/4" I.D.     | Lock Washer             | (2)  | 43       | 4BG13-2             | Capacitor End Cap       |
| 16   | 10-32x3/8"    | Rd. Hd. Brass Screw     | (8)  | 44       | 3/8"-24x2 1/4"      | Hex. Hd. Cap Screw (2)  |
| 17   | 3/4-16        | R. H. Hex Nut           | (2)  | 45       | 3/8" I.P.           | Washer (2)              |
| 18   | 11BG-2        | Stator Assembly         | (8)  | 46       | 3/8"x1 1/4"         | Hex. Hd. Cap Screw (2)  |
| 19   | 1/4"-20       | Hex Nut                 | (8)  | 47       | 11BG1-3             | R. H. Endshield         |
| 20   | 10GW-34F      | Grinding Wheel          | (2)  | 48       | 1BG9-1              | Tool Rest Arm (2)       |
| 21   | 1/4-20x9-3/8" | Thru Bolt Studs         | (4)  | 49       | 1BG9-2              | Spacer                  |
| 22   | V101-1        | Name Plate              | (2)  | 50       | 4BG-9               | Tool Rest (2)           |
| 23   | #13x1/4"      | Drive Pin               | (4)  | 51       | 3 Prong             | 3 Cond. Cord            |
| 24   | 205KTT        | Ball Bearing            | (2)  | 52       | 3PA-1               | Adaptor                 |
| 25   | 11BG6-2       | Brg. Retaining Plate    | (2)  | 53       | 11BG12-1            | Rotating Switch         |
| 26   | 11BG-6        | Rotor Assembly          | (2)  | 54       | 8-32x3/8"           | Rd. Hd. Screw (2)       |
| 27   | 1/8"x3/8"     | Roll Pin                | (2)  | 55       | #8                  | Lock Washer (2)         |
| 28   | 1/2" I.D.     | Washer                  | (2)  | 56       |                     | Stationary Switch       |

## Free Manuals Download Website

<http://myh66.com>

<http://usermanuals.us>

<http://www.somanuals.com>

<http://www.4manuals.cc>

<http://www.manual-lib.com>

<http://www.404manual.com>

<http://www.luxmanual.com>

<http://aubethermostatmanual.com>

Golf course search by state

<http://golfingnear.com>

Email search by domain

<http://emailbydomain.com>

Auto manuals search

<http://auto.somanuals.com>

TV manuals search

<http://tv.somanuals.com>