

# WIRING INSTRUCTIONS

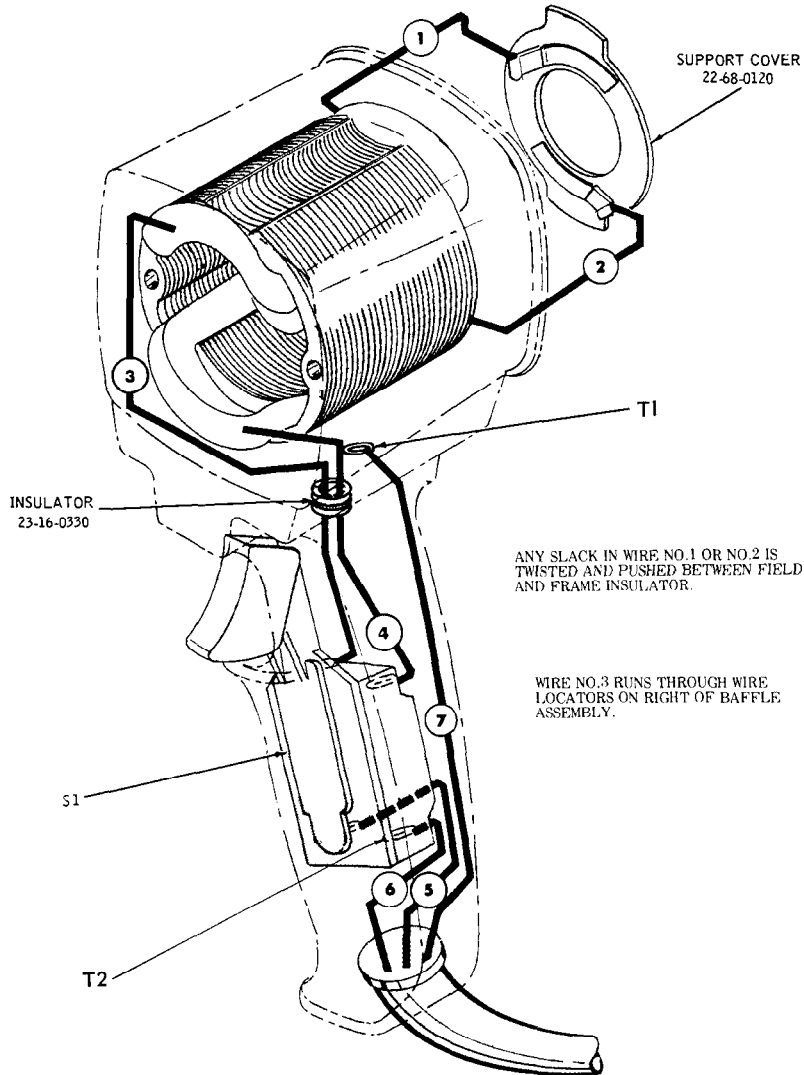
TITLE

**IMPACT WRENCH**

**BULLETIN  
58-01-0520**

MILWAUKEE ELECTRIC TOOL CORP. 13135 WEST LISBON RD. BROOKFIELD, WIS.

Date  
Feb. '70



USE LOCK WASHERS UNDER ALL SWITCH TERMINALS.

WHERE TERMINAL AND CONNECTOR COMBINATIONS ARE SPECIFIED, SEE ELECTRICAL PARTS CHART FOR PART NO. AND QUANTITY AND DRAWING FOR ACTUAL HOOK-UP

## WIRING SPECIFICATIONS

Wire Color	Wire No.	Ga.	Lgth. in.	Terminal				Connector				Wire Color	Wire No.	Ga.	Lgth. in.	Terminal				Connector																	
				T1	T2	T3	T4	C1	C2	C3	C4					T1	T2	T3	T4	C1	C2	C3	C4														
Black	1	Fld.	4-1/4										White	6	Cord	6		X																			
Black	2	Fld.	4-1/4										Green	7	Cord	6	X																				
Brown	3	Fld.	9-3/4			X																															
Brown	4	Fld.	9-3/4			X																															
Black	5	Cord	6			X																															

NOTE:  
ALL LEADS MUST BE HELD TO 2 ± 1/8"  
ALL FIELD LEADS TO BE MEASURED FROM  
AND PERPENDICULAR TO LAMINATIONS.  
ALL LEAD LENGTHS ARE BEFORE STRIPPING.

## Electrical Parts

TERMINAL DESCRIPTION		
Code	Part No.	Qty.
T1	23-74-0050	1
T2	23-74-0330	4
CONNECTOR DESCRIPTION		
Code	Part No.	Qty.
SWITCH DESCRIPTION		
Code	Part No.	Qty.
S1	23-66-0490	1

Form OE-24

## Free Manuals Download Website

<http://myh66.com>

<http://usermanuals.us>

<http://www.somanuals.com>

<http://www.4manuals.cc>

<http://www.manual-lib.com>

<http://www.404manual.com>

<http://www.luxmanual.com>

<http://aubethermostatmanual.com>

Golf course search by state

<http://golfingnear.com>

Email search by domain

<http://emailbydomain.com>

Auto manuals search

<http://auto.somanuals.com>

TV manuals search

<http://tv.somanuals.com>