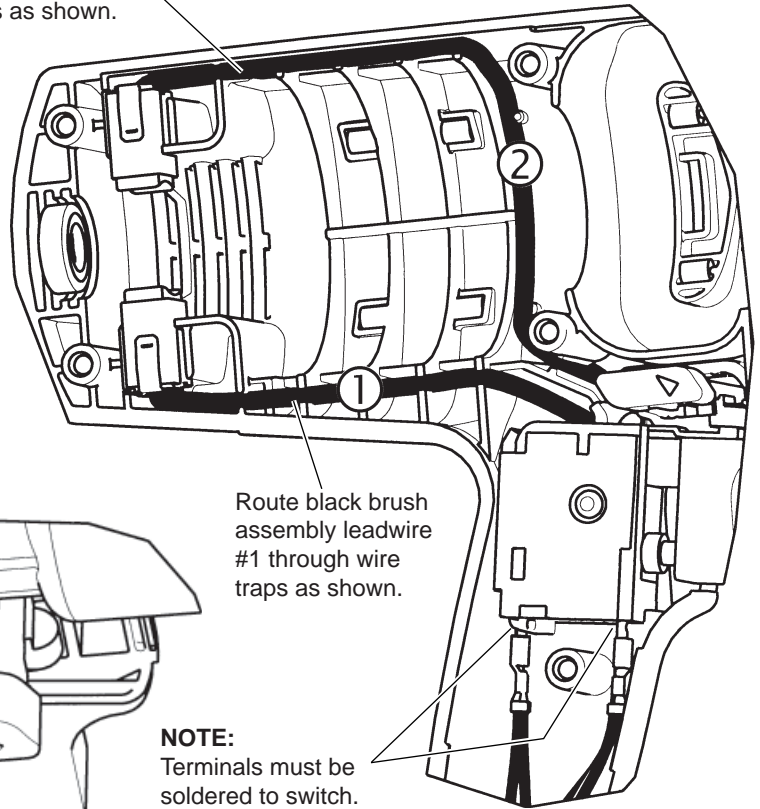


WIRING INSTRUCTIONS

TITLE CORDLESS IMPACT WRENCH	BULLETIN 58-01-1830
MILWAUKEE ELECTRIC TOOL CORP. 13135 WEST LISBON RD. BROOKFIELD, WIS.	DATE Mar. 2010

Route red brush assembly leadwire #2 through wire traps as shown.

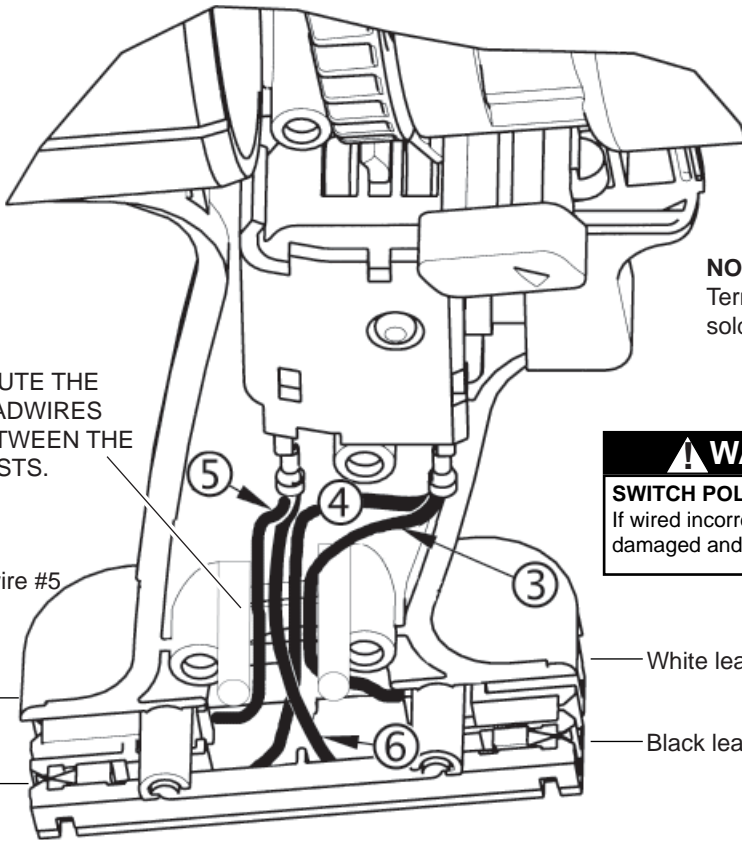


Route black brush assembly leadwire #1 through wire traps as shown.

NOTE:
Terminals must be soldered to switch.

ROUTE THE LEADWIRES BETWEEN THE POSTS.

Black leadwire #5



White leadwire #4

⚠ WARNING

SWITCH POLARITY SENSITIVE
If wired incorrectly switch **will be** damaged and destroyed!

White leadwire #3
Black leadwire #6

NOTE:
On some early models, leadwires #3 and #4 may be red. Later production and service replacements are white.

WIRING SPECIFICATIONS					
Wire No.	Wire Color	Origin or Part No.	Gauge	Length	Terminals, Connectors and End Wire Preparation
1	Black	22-18-1980		----	Brush Assembly.
2	Red	22-18-2080		----	Brush Assembly.
3	Red	----	----	----	Component of Connector Block Assy. 22-56-0279.
4	Red	----	----	----	Component of Connector Block Assy. 22-56-0279.
5	Black	----	----	----	Component of Connector Block Assy. 22-56-0279.
6	Black	----	----	----	Component of Connector Block Assy. 22-56-0279.

BULK LEAD WIRE - BULLETIN 58-01-0003

NOTE:
All lead lengths are before stripping. All leads must be held to ± .125" unless specified elsewhere. Strip wire per ES 13-11. Crimp terminals per ES 13-15.

TERMINAL DESCRIPTION		
Code	Part No.	Qty.

Free Manuals Download Website

<http://myh66.com>

<http://usermanuals.us>

<http://www.somanuals.com>

<http://www.4manuals.cc>

<http://www.manual-lib.com>

<http://www.404manual.com>

<http://www.luxmanual.com>

<http://aubethermostatmanual.com>

Golf course search by state

<http://golfingnear.com>

Email search by domain

<http://emailbydomain.com>

Auto manuals search

<http://auto.somanuals.com>

TV manuals search

<http://tv.somanuals.com>