



# SERVICE PARTS LIST

**BULLETIN NO.**  
**54-26-1650**

SPECIFY CATALOG NO. AND SERIAL NO. WHEN ORDERING PARTS		REVISED BULLETIN	DATE
<b>CORDLESS 12 VOLT IMPACT DRIVER</b>			Feb. 2003
CATALOG NO. <b>9057-1</b>	STARTING SERIAL NO. <b>854A</b>	WIRING INSTRUCTION <b>58-01-1615</b>	

**EXAMPLE:**

00  $\sigma$  Component Parts (Small #) Are Included  
When Ordering The Assembly (Large #).

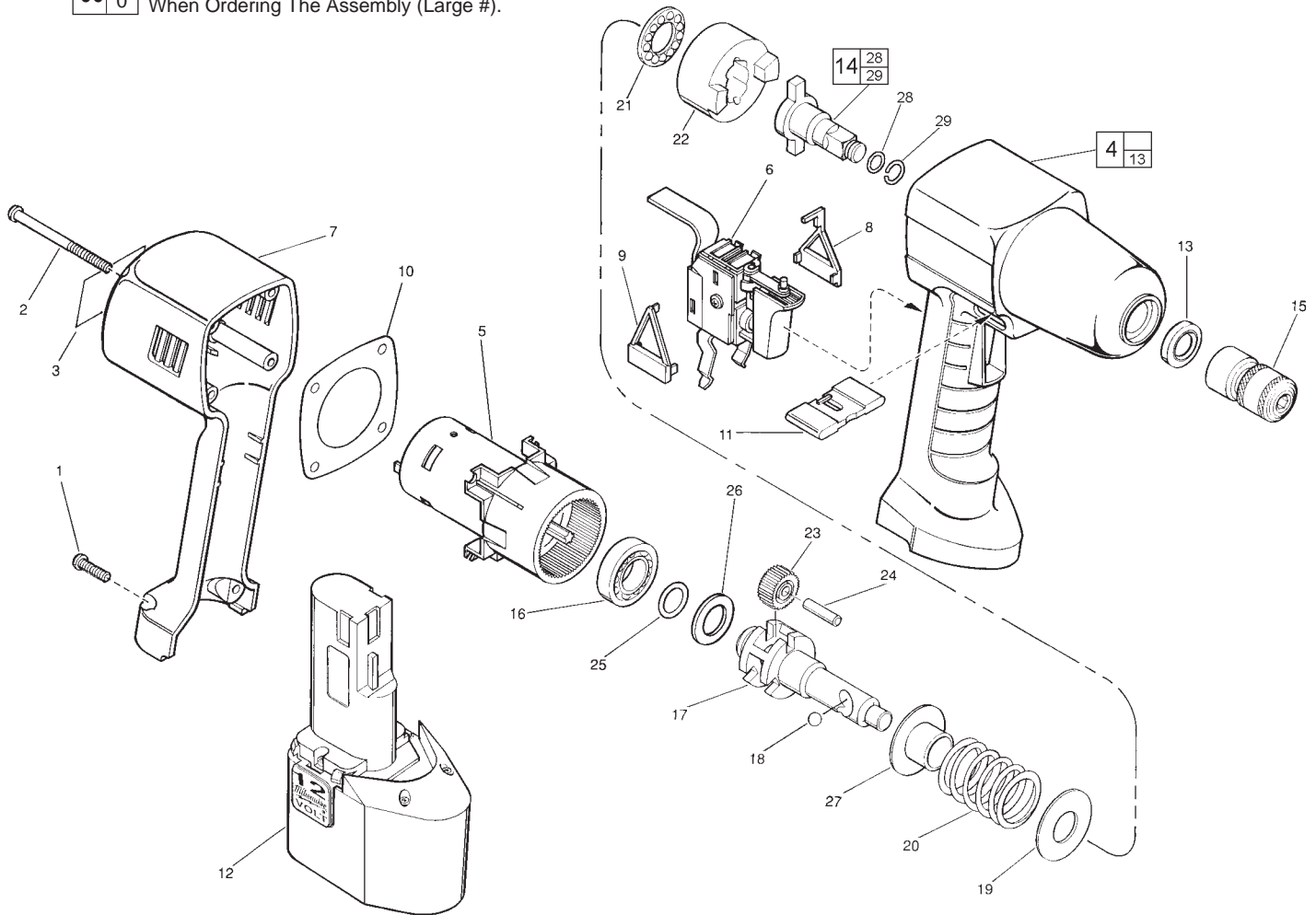


FIG.	PART NO.	DESCRIPTION OF PART	NO. REQ.	FIG.	PART NO.	DESCRIPTION OF PART	NO. REQ.
1	06-82-9220	Pan Hd. Slit. T-20 PT Screw	(2)	23	32-62-0060	Planet Gear	(3)
2	06-82-9279	Pan Hd. Slit. T-20 PT Screw	(2)	24	06-65-0040	Pin	(3)
3	10-15-0180	Warning Label	(1)	25	34-40-4420	O-Ring	(1)
4	14-38-0655	Front Housing Assembly	(1)	26	45-88-8705	Washer	(1)
5	14-50-0171	12 Volt Motor Assembly	(1)	27	43-34-0750	Spring Flange	(1)
6	23-66-2310	Switch	(1)	28	34-40-0210	O-Ring	(1)
7	31-15-0470	Handle Cover	(1)	29	34-60-0620	Retaining Ring	(1)
8	31-51-0110	Switch Mount - Left	(1)		12-20-1165	Service Nameplate Kit	(1)
9	31-51-0120	Switch Mount - Right	(1)		10-15-1130	Logo Label	(1)
10	42-14-0410	Baffle	(1)				
11	43-62-1110	Reversing Shuttle	(1)				
12	-----	12 Volt Battery - Select From Catalog	(1)				
13	45-06-0640	Seal	(1)				
14	42-06-0130	Anvil Assembly	(1)				
15	48-03-3630	Drive Adapter	(1)				
16	02-04-1510	Ball Bearing	(1)				
17	38-50-0030	Ram Spindle	(1)				
18	02-02-1205	7/32" Steel Ball	(2)				
19	45-88-0110	Washer	(1)				
20	40-50-0140	Spring	(1)				
21	02-80-0140	Thrust Bearing	(1)				
22	44-82-0060	Ram	(1)				

**MILWAUKEE ELECTRIC TOOL CORPORATION**  
13135 W. LISBON RD., BROOKFIELD, WI 53005

Drwg. 1

## Free Manuals Download Website

<http://myh66.com>

<http://usermanuals.us>

<http://www.somanuals.com>

<http://www.4manuals.cc>

<http://www.manual-lib.com>

<http://www.404manual.com>

<http://www.luxmanual.com>

<http://aubethermostatmanual.com>

Golf course search by state

<http://golfingnear.com>

Email search by domain

<http://emailbydomain.com>

Auto manuals search

<http://auto.somanuals.com>

TV manuals search

<http://tv.somanuals.com>