



**OPERATOR'S MANUAL  
MANUEL de L'UTILISATEUR  
MANUAL del OPERADOR**



**Cat. No.  
No de Cat.  
9078-20  
9098-23**

**18 VOLT IMPACT WRENCH  
CLÉ À PERCUSSION 18V  
LLAVE DE IMPACTO DE 18V**

***TO REDUCE THE RISK OF INJURY, USER MUST READ OPERATOR'S MANUAL.***

***AFIN DE RÉDUIRE LE RISQUE DE BLESSURES, L'UTILISATEUR DOIT LIRE LE MANUEL DE L'UTILISATEUR.***

***PARA REDUCIR EL RIESGO DE LESIONES, EL USUARIO DEBE LEER EL MANUAL DEL OPERADOR.***

## GENERAL SAFETY RULES-FOR ALL BATTERY OPERATED TOOLS



### WARNING

#### READ ALL INSTRUCTIONS

Failure to follow all instructions listed below may result in electric shock, fire and/or serious injury. The term "power tool" in all of the warnings listed below refers to your mains-operated (corded) power tool or battery-operated (cordless) power tool.

#### SAVE THESE INSTRUCTIONS

### WORK AREA SAFETY

1. **Keep work area clean and well lit.** Cluttered or dark areas invite accidents.
2. **Do not operate power tools in explosive atmospheres, such as in the presence of flammable liquids, gases, or dust.** Power tools create sparks which may ignite the dust or fumes.
3. **Keep children and bystanders away while operating a power tool.** Distractions can cause you to lose control.

### ELECTRICAL SAFETY

4. **Power tool plugs must match the outlet. Never modify the plug in any way. Do not use any adapter plugs with earthed (grounded) power tools.** Unmodified plugs and matching outlets will reduce risk of electric shock.
5. **Avoid body contact with earthed or grounded surfaces such as pipes, radiators, ranges and refrigerators.** There is an increased risk of electric shock if your body is earthed or grounded.
6. **Do not expose power tools to rain or wet conditions.** Water entering a power tool will increase the risk of electric shock.
7. **Do not abuse the cord. Never use the cord for carrying, pulling, or unplugging the power tool. Keep cord away from heat, oil, sharp edges, or moving parts.** Damaged or entangled cords increase the risk of electric shock.
8. **When operating a power tool outdoors, use an extension cord suitable for outdoor use.** Use of a cord suitable for outdoor use reduces the risk of electric shock.

### PERSONAL SAFETY

9. **Stay alert, watch what you are doing and use common sense when operating a power tool. Do not use a power tool while you are tired or under the influence of drugs, alcohol or medication.** A moment of inattention while operating power tools may result in serious personal injury.
10. **Use safety equipment. Always wear eye protection. Safety equipment such as dust mask, non-skid safety shoes, hard hat, or hearing protection used for appropriate conditions will reduce personal injuries.**
11. **Avoid accidental starting. Ensure the switch is in the off-position before plugging in.** Carrying tools with your finger on the switch or plugging in power tools that have the switch on invites accidents.
12. **Remove any adjusting key or wrench before turning the power tool on.** A wrench or a key left attached to a rotating part of the power tool may result in personal injury.
13. **Do not overreach. Keep proper footing and balance at all times.** This enables better control of the power tool in unexpected situations.
14. **Dress properly. Do not wear loose clothing or jewellery. Keep your hair, clothing and gloves away from moving parts.** Loose clothes, jewellery, or long hair can be caught in moving parts.
15. **If devices are provided for the connection of dust extraction and collection facilities, ensure these are connected and properly used.** Use of these devices can reduce dust-related hazards.

## POWER TOOL USE AND CARE

16. **Do not force the power tool. Use the correct power tool for your application.** The correct power tool will do the job better and safer at the rate for which it was designed.
17. **Do not use the power tool if the switch does not turn it on and off.** Any power tool that cannot be controlled with the switch is dangerous and must be repaired.
18. **Disconnect the plug from the power source and/or the battery pack from the power tool before making any adjustments, changing accessories, or storing power tools.** Such preventive safety measures reduce the risk of starting the tool accidentally.
19. **Store idle power tools out of the reach of children and do not allow persons unfamiliar with the power tools or these instructions to operate power tools.** Power tools are dangerous in the hands of untrained users.
20. **Maintain power tools. Check for misalignment or binding of moving parts, breakage of parts and any other condition that may affect the power tool's operation. If damaged, have the power tool repaired before use.** Many accidents are caused by poorly maintained power tools.
21. **Keep cutting tools sharp and clean.** Properly maintained cutting tools with sharp cutting edges are less likely to bind and are easier to control.
22. **Use the power tool, accessories and tool bits etc., in accordance with these instructions and in the manner intended for the particular type of power tool, taking into account the working conditions and the work to be performed.** Use of the power tool for operations different from those intended could result in a hazardous situation.

## BATTERY TOOL USE AND CARE

23. **Ensure the switch is in the off position before inserting battery pack.** Inserting the battery pack into power tools that have the switch on invites accidents.
24. **Recharge only with the charger specified by the manufacturer.** A charger that is suitable for one type of battery pack may create a risk of fire when used with another battery pack.

25. **Use power tools only with specifically designated battery packs.** Use of any other battery packs may create a risk of injury and fire.
26. **When battery pack is not in use, keep it away from other metal objects like paper clips, coins, keys, nails, screws, or other small metal objects that can make a connection from one terminal to another.** Shorting the battery terminals together may cause burns or a fire.
27. **Under abusive conditions, liquid may be ejected from the battery, avoid contact. If contact accidentally occurs, flush with water. If liquid contacts eyes, additionally seek medical help.** Liquid ejected from the battery may cause irritation or burns.

## SERVICE

28. **Have your power tool serviced by a qualified repair person using only identical replacement parts.** This will ensure that the safety of the power tool is maintained.



## SPECIFIC SAFETY RULES

1. **Wear ear protectors with impact drills.** Exposure to noise can cause hearing loss.
2. **Hold power tools by insulated gripping surfaces when performing an operation where the cutting tool may contact hidden wiring or its own cord.** Contact with a "live" wire will make exposed metal parts of the tool "live" and shock the operator.
3. **Maintain labels and nameplates.** These carry important information. If unreadable or missing, contact a MILWAUKEE service facility for a free replacement.

4. **WARNING!** Some dust created by power sanding, sawing, grinding, drilling, and other construction activities contains chemicals known to cause cancer, birth defects or other reproductive harm. Some examples of these chemicals are:

- lead from lead-based paint
- crystalline silica from bricks and cement and other masonry products, and
- arsenic and chromium from chemically-treated lumber.

Your risk from these exposures varies, depending on how often you do this type of work. To reduce your exposure to these chemicals: work in a well ventilated area, and work with approved safety equipment, such as those dust masks that are specially designed to filter out microscopic particles.

Symbology	
	Volts Direct Current
$n_{xxxx}/\text{min.}$	Impacts per Minute Under Load (IPM)
	Underwriters Laboratories, Inc.

### Specifications

Cat. No.	Volts DC	No Load RPM	Drive Shank	Impacts Per Minute	Average Torque Output*
9078-20	18	0 - 1350	3/4"	0 - 2150	325 ft-lbs.*
9079-20	18	0 - 1400	1/2"	0 - 2200	240 ft-lbs.*
9098-23	18	0 - 1400	5/8" Hex	0 - 2200	270 ft-lbs.*
9099-20	18	0 - 1400	7/16" Hex	0 - 2200	270 ft-lbs.*

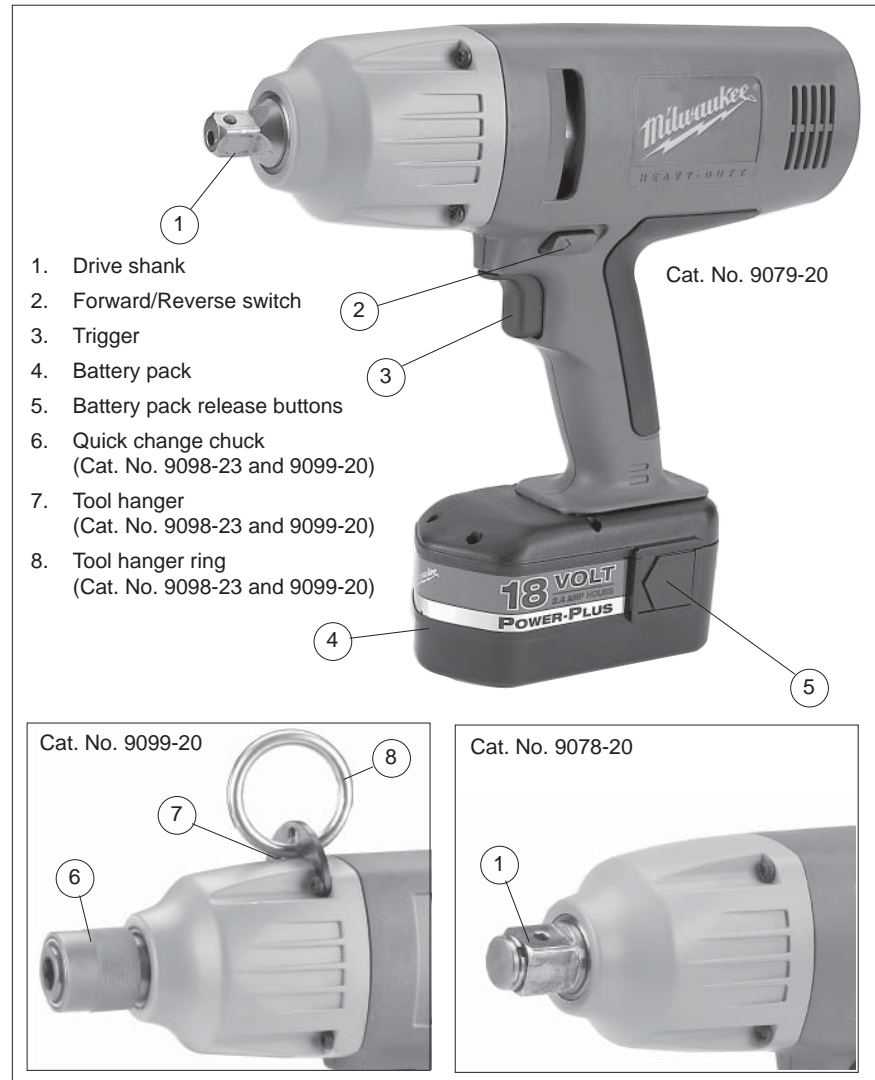
\* Output rated at full speed

### Quick Change Chuck Capacities\*

Cat. No.	Quick Change Auger Bits	Selffeed Bits
9079-20	1-1/2"	2-9/16"
9098-23	1-1/2"	2-9/16"
9099-20	1-1/2"	2-9/16"

\* Only for use with the 7/16" and 5/8" Hex Quick Change chuck, standard equipment on the 9099-20 (7/16") and 9098-23 (5/8"), optional accessory (Cat. No. 48-66-0061) on other models.

### FUNCTIONAL DESCRIPTION



1. Drive shank
2. Forward/Reverse switch
3. Trigger
4. Battery pack
5. Battery pack release buttons
6. Quick change chuck (Cat. No. 9098-23 and 9099-20)
7. Tool hanger (Cat. No. 9098-23 and 9099-20)
8. Tool hanger ring (Cat. No. 9098-23 and 9099-20)

Cat. No. 9079-20

Cat. No. 9099-20

Cat. No. 9078-20

## ASSEMBLY



### WARNING

Recharge only with the charger specified for the battery pack. For specific charging instructions, read the operator's manual supplied with your charger and battery pack.



### WARNING

Always lock trigger or remove battery pack before changing or removing accessories. Only use accessories specifically recommended for this tool. Others may be hazardous.

#### Removing Battery Pack from Tool

Push in the release buttons and remove the battery pack.

#### Inserting Battery Pack into Tool

Battery pack can be inserted into the tool in two ways.

1. For working in restricted spaces.

Insert the battery pack from the front by pressing in the release buttons and sliding battery pack into the body of the tool (Fig. 1). Insert the battery pack until clamp engages.

Fig. 1



2. For optimum weight distribution and balance.

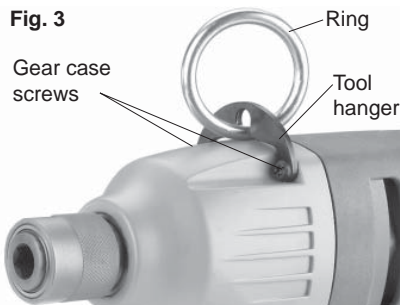
Insert the battery pack from the back by pressing in the release buttons and sliding the battery pack into the body of the tool (Fig. 2). Insert the battery pack until clamp engages.

Fig. 2



#### Attaching and Removing the Tool Hanger (Cat. No. 9098-23, 9099-20 or as an accessory)

Fig. 3

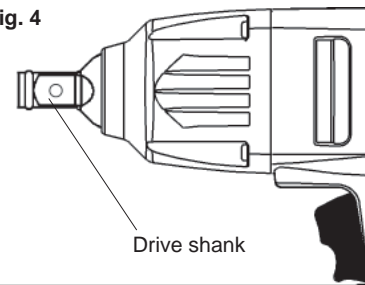


1. To **attach**, remove the two top gear case screws (Fig. 3).
2. Place the ring through the tool hanger.
3. Position the tool hanger on the tool over the two gear case screw holes.
4. Replace the two gear case screws. Hand tighten the screws.
5. To **remove**, reverse the procedure.

#### Attaching and Removing Accessories (Cat. No. 9078-20)

This impact wrench is intended only for use with sockets designed for impact wrenches and that have a 3/4" square drive. Other sockets could shatter or break, causing injury.

Fig. 4



1. To attach a socket or other accessory, push the accessory onto the drive shank until it snaps into place.
2. To remove the accessory, pull it off the drive shank.



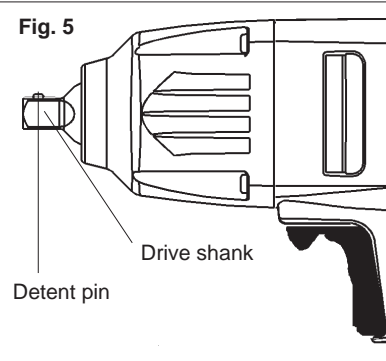
### WARNING

Use only sockets and other accessories specifically designed for use on impact wrenches and drivers. Other sockets and accessories might shatter or break causing injury.

#### Attaching and Removing Accessories (Cat. No. 9079-20)

This impact wrench is intended only for use with sockets designed for impact wrenches and that have a 1/2" square drive. Other sockets could shatter or break, causing injury.

Fig. 5

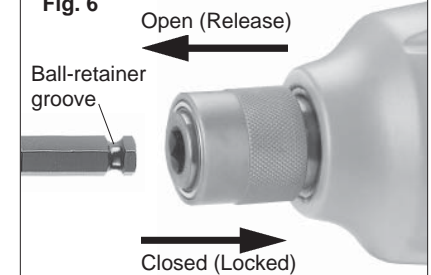


1. To attach a socket or other accessory, align the hole in the accessory with the detent pin on the drive shank. Hold the detent pin in while pushing the socket onto the drive shank. The detent pin will snap into place in the hole to secure the socket.
2. To remove the accessory, insert a nail or other thin object into the hole in the accessory and press the detent pin in. Pull the accessory off the drive shank.

#### Attaching and Removing Accessories Cat. No. 9098-23, 9099-20, or other Impact Wrenches using the Quick Change 1/2" Square Drive to 7/16" Hex Adapter

Cat. No. 9099-20 and accessory Cat. No. 48-66-0061 are intended for use with drill bits and adapters with a 7/16" Hex Quick Change shank. Cat. No. 9098-23 is intended for use with drill bits and adapters with a 5/8" Hex Quick Change shank. Both Hex Quick Change shanks have a ball-retainer groove. They are not intended for use with Hex Shank Bit Extensions.

Fig. 6



1. To attach an accessory, pull the chuck collar forward and insert the accessory shank. Release the collar. It may be necessary to pull the bit out slightly to engage the holding mechanism.
2. To remove the accessory, pull the chuck collar forward and remove the accessory. Release the collar.

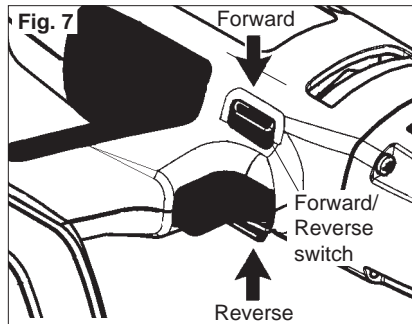
## OPERATION

### **WARNING**

When tool is not in use, lock trigger to prevent the tool from being accidentally turned on.

### Using the Forward/Reverse Switch

The forward/reverse switch may be set to three positions: forward, reverse and lock. Due to a lockout mechanism, the forward/reverse switch can only be adjusted when the trigger is not depressed. Always allow the motor to come to a complete stop before using the forward/reverse switch.



1. For **forward** (clockwise) rotation, push the forward/reverse switch in the direction shown. Check the direction of rotation before use.
2. For **reverse** (counterclockwise) rotation, push the forward/reverse switch in the direction shown. Check the direction of rotation before use.
3. To lock the trigger, push the forward/reverse switch to the center position. The trigger will not work when the forward/reverse switch is in the locked position. Always lock the trigger or remove the battery pack before performing maintenance, changing accessories, storing the tool and any time the tool is not in use.

### **WARNING**

To reduce the risk of injury, keep hands and away from the bit and all moving parts.

### **WARNING**

To reduce the risk of explosion, electric shock and property damage, always check the work area for hidden pipes and wires before drilling.

### **WARNING**

To reduce the risk of injury, only grasp tool by handle and red insulated surfaces (Fig. 8). Do not hold gray gear case when impacting or drilling.



### Starting, Stopping and Controlling Speed

This impact wrench may be operated at any speed from 0 to full speed.

1. To **start** the tool, pull the trigger.
2. To vary the driving speed, increase or decrease pressure on the trigger. The further the trigger is pulled, the greater the speed.
3. To **stop** the tool, release the trigger.

### Impacting Techniques

The longer a bolt, screw, or nut is impacted, the tighter it will become. To help prevent damaging the fasteners or workpieces, avoid excessive impacting. Be particularly careful when impacting smaller fasteners because they require less impacting to reach optimum torque.

Practice with various fasteners, noting the length of time required to reach the desired torque. Check the tightness with a hand-torque wrench. If the fasteners are too tight, reduce the impacting time. If they are not tight enough, increase the impacting time.

Impacting for two seconds is generally sufficient for a 3/8" bolt and one second for a 5/16" bolt. However, oil, dirt, rust or other matter on the threads or under the head of the fastener affects the degree of tightness.

The torque required to loosen a fastener averages 75% to 80% of the tightening torque, depending on the condition of the contacting surfaces. However, if rust or corrosion causes seizing, more torque may be required.

On light gasket jobs, run each fastener down to a relatively light torque and use a hand torque wrench for final tightening.

## MAINTENANCE



### WARNING

To reduce the risk of injury, always unplug the charger and remove the battery pack from the charger or tool before performing any maintenance. Never disassemble the tool, battery pack or charger. Contact a **MILWAUKEE** service facility for ALL repairs.

Keep your tool, battery pack and charger in good repair by adopting a regular maintenance program. After six months to one year, depending on use, return the tool, battery pack and charger to a **MILWAUKEE** service facility for:

- Lubrication
- Mechanical inspection and cleaning (gears, spindles, bearings, housing, etc.)
- Electrical inspection (battery pack, charger, motor)
- Testing to assure proper mechanical and electrical operation

### Maintaining Tool

If the tool does not start or operate at full power with a fully charged battery pack, clean the contacts on the battery pack. If the tool still does not work properly, return the tool, charger and battery pack, to a **MILWAUKEE** service facility for repairs.



### WARNING

To reduce the risk of personal injury and damage, never immerse your tool, battery pack or charger in liquid or allow a liquid to flow inside them.

### Cleaning

Clean dust and debris from charger and tool vents. Keep tool handles clean, dry and free of oil or grease. Use only mild soap and a damp cloth to clean the tool, battery pack and charger since certain cleaning agents and solvents are harmful to plastics and other insulated parts. Some of these include gasoline, turpentine, lacquer thinner, paint thinner, chlorinated cleaning solvents, ammonia and household detergents containing ammonia. Never use flammable or combustible solvents around tools.

### Repairs

For repairs, return the tool, battery pack and charger to the nearest service center listed on the back cover of this operator's manual.

## ACCESSORIES



### WARNING

Always remove battery pack before changing or removing accessories. Only use accessories specifically recommended for this tool. Others may be hazardous.

For a complete listing of accessories refer to your **MILWAUKEE** Electric Tool catalog or go on-line to [www.milwaukeetool.com](http://www.milwaukeetool.com). To obtain a catalog, contact your local distributor or a service center listed on the back cover of this operator's manual.

## FIVE YEAR TOOL LIMITED WARRANTY

Every **MILWAUKEE** electric power tool (including battery charger) is warranted to the original purchaser only to be free from defects in material and workmanship. Subject to certain exceptions, **MILWAUKEE** will repair or replace any part on a electric power tool which, after examination, is determined by **MILWAUKEE** to be defective in material or workmanship for a period of five (5) years\* after the date of purchase. Return the electric power tool and a copy of proof of purchase to a **MILWAUKEE** factory Service/Sales Support Branch location or **MILWAUKEE** Authorized Service Station, freight prepaid and insured, are requested for this warranty to be effective. This warranty does not apply to damage that **MILWAUKEE** determines to be from repairs made or attempted by anyone other than **MILWAUKEE** authorized personnel, misuse, alterations, abuse, normal wear and tear, lack of maintenance, or accidents.

\* The warranty period for Hoists (lever, hand chain, & electric chain hoists), Ni-Cd battery packs, Work Lights (cordless flashlights), Job Site Radios, and Trade Titans™ Industrial Work Carts is one (1) year from the date of purchase.

\*There is a separate warranty for Li-Ion Battery Packs that accompany the power tools:

\*Every **MILWAUKEE** Li-Ion Battery Pack is covered by an initial 1000 Charges/2 Years free replacement warranty. This means that for the earlier of the first 1000 charges or two (2) years from the date of purchase/first charge, a replacement battery will be provided to the customer for any defective battery free of charge. Thereafter, customers will also receive an additional warranty on a pro rata basis up to the earlier of the first 2000 charges or five (5) Years from the date of purchase/first charge. This means that every customer gets an additional 1000 charges or three (3) years of pro rata warranty on the Li-Ion Battery Pack depending upon the amount of use. During this additional warranty period, the customer pays for only the useable service received over and above the first 1000 Charges/2 years, based on the date of first charge and number of charges found on the battery pack via **MILWAUKEE**'s Service Reader. After 1000 charges/2 years from the date of purchase/first charge, the customer will be charged a prorated amount for the service rendered.

Warranty Registration is not necessary to obtain the applicable warranty on a **MILWAUKEE** product. However, proof of purchase in the form of a sales receipt or other information deemed sufficient by **MILWAUKEE**, is requested.

ACCEPTANCE OF THE EXCLUSIVE REPAIR AND REPLACEMENT REMEDIES DESCRIBED HEREIN IS A CONDITION OF THE CONTRACT FOR THE PURCHASE OF EVERY **MILWAUKEE** PRODUCT. IF YOU DO NOT AGREE TO THIS CONDITION, YOU SHOULD NOT PURCHASE THE PRODUCT. IN NO EVENT SHALL **MILWAUKEE** BE LIABLE FOR ANY INCIDENTAL, SPECIAL, CONSEQUENTIAL OR PUNITIVE DAMAGES, OR FOR ANY COSTS, ATTORNEY FEES, EXPENSES, LOSSES OR DELAYS ALLEGED TO BE AS A CONSEQUENCE OF ANY DAMAGE TO, FAILURE OF, OR DEFECT IN ANY PRODUCT INCLUDING, BUT NOT LIMITED TO, ANY CLAIMS FOR LOSS OF PROFITS. THIS WARRANTY IS EXCLUSIVE AND IN LIEU OF ALL OTHER WARRANTIES OR CONDITIONS, WRITTEN OR ORAL, EXPRESSED OR IMPLIED. WITHOUT LIMITING THE GENERALITY OF THE FOREGOING, **MILWAUKEE** DISCLAIMS ANY IMPLIED WARRANTY OF MERCHANTABILITY OR FITNESS FOR A PARTICULAR USE OR PURPOSE, AND ALL OTHER WARRANTIES.

This warranty applies to product sold in the U.S.A., Canada and Mexico only.

Please consult **MILWAUKEE**'s website [www.milwaukeetool.com](http://www.milwaukeetool.com) or call 1.800.SAWDUST (1.800.729.3878) to locate your nearest service facility for warranty and non-warranty service on a **MILWAUKEE** electric power tool.

## RÈGLES GÉNÉRALES DE SÉCURITÉ POUR LES OUTILS ALIMENTÉS PAR BATTERIE



### AVERTISSEMENT

#### LIRE SOIGNEUSEMENT TOUTES LES INSTRUCTIONS

Le non respect des instructions ci-après peut entraîner des chocs électriques, des incendies et/ou des blessures graves. Le terme «outil électrique» figurant dans les avertissements ci-dessous renvoie à l'outil électrique à alimentation par le réseau (à cordon) ou par batterie (sans fil).

#### CONSERVER CES INSTRUCTIONS

### SÉCURITÉ DU LIEU DE TRAVAIL

1. **Maintenir la zone de travail propre et bien éclairée.** Les zones encombrées ou mal éclairées sont favorables aux accidents.
2. **Ne pas utiliser d'outil électrique dans une atmosphère explosive, telle qu'en en présence de liquides, de gaz ou de poussières inflammables.** Les outils électriques génèrent des étincelles qui peuvent enflammer les poussières ou les fumées.
3. **Tenir les enfants et les personnes non autorisées à l'écart pendant le fonctionnement d'un outil électrique.** Un manque d'attention de l'opérateur risque de lui faire perdre le contrôle de l'outil.

### SÉCURITÉ ÉLECTRIQUE

4. **La fiche de l'outil électrique doit correspondre à la prise d'alimentation. Ne jamais modifier la fiche d'une manière quelconque. Ne pas utiliser d'adaptateur avec les outils électriques mis à la terre (à la masse).** Des fiches non modifiées et des prises d'alimentation assorties réduisent le risque de choc électrique.
5. **Éviter tout contact corporel avec des surfaces reliées à la masse ou à la terre telles que tuyaux, radiateurs, cuisinières et réfrigérateurs.** Un risque de choc électrique plus élevé existe si le corps est relié à la masse ou à la terre.
6. **Ne pas exposer les outils électriques à la pluie ou à l'humidité.** Le risque de choc électrique augmente si de l'eau s'infiltré dans un outil électrique.

7. **Prendre soin du cordon. Ne jamais utiliser le cordon pour transporter, tirer ou débrancher l'outil électrique. Tenir le cordon à l'écart de la chaleur, des huiles, des arêtes coupantes ou des pièces en mouvement.** Un cordon endommagé ou emmêlé présente un risque accru de choc électrique.
8. **Se procurer un cordon d'alimentation approprié en cas d'utilisation d'un outil électrique à l'extérieur.** L'utilisation d'un cordon d'alimentation pour usage extérieur réduit le risque de choc électrique.

### SÉCURITÉ INDIVIDUELLE

9. **Être sur ses gardes, être attentif et faire preuve de bon sens en utilisant un outil électrique. Ne pas utiliser un outil électrique en cas de fatigue ou sous l'influence de drogues, d'alcool ou de médicaments.** Un instant d'inattention lors de l'utilisation d'un outil électrique peut entraîner des blessures graves.
10. **Utiliser un équipement de sécurité. Toujours porter des lunettes de protection.** Un équipement de sécurité comprenant masque anti-poussière, chaussures de sécurité anti-dérapantes, casque ou dispositif de protection anti-bruit peut, dans les circonstances appropriées, réduire le risque de blessure.
11. **Éviter tout démarrage accidentel de l'outil. S'assurer que le commutateur est en position OFF (Arrêt) avant de brancher l'outil.** Le port de l'outil avec un doigt sur le commutateur ou son branchement avec le commutateur en position ON (Marche) sont favorables aux accidents.

12. **Retirer toute clé de réglage avant de mettre l'outil sous tension.** Une clé laissée attachée sur une pièce mobile de l'outil électrique peut entraîner des blessures.
13. **Ne pas travailler à bout de bras. Bien garder un bon équilibre à tout instant.** Ceci permet de mieux préserver la maîtrise de l'outil électrique dans des situations imprévues.
14. **Porter des vêtements adéquats. Ne pas porter de vêtements amples ni de bijoux. Ne pas approcher les cheveux, vêtements et gants des pièces en mouvement.** Les vêtements amples, les bijoux ou les cheveux longs risquent d'être happés par les pièces en mouvement.
15. **Si des dispositifs sont prévus pour l'extraction et la récupération des poussières, vérifier qu'ils sont connectés et utilisés correctement.** L'utilisation de ces dispositifs peut réduire les risques liés aux poussières.

### UTILISATION ET ENTRETIEN DE L'OUTIL ÉLECTRIQUE

16. **Ne pas forcer l'outil électrique. Utiliser l'outil électrique approprié à l'application considérée.** L'outil électrique adapté au projet considéré produira de meilleurs résultats, dans des conditions de sécurité meilleures, à la vitesse pour laquelle il a été conçu.
17. **Ne pas utiliser l'outil électrique si le commutateur ne le met pas sous ou hors tension.** Tout outil électrique dont le commutateur de marche-arrêt est inopérant est dangereux et doit être réparé.
18. **Débrancher la fiche de la prise d'alimentation et/ou la batterie de l'outil électrique avant d'effectuer des réglages, de changer d'accessoires ou de ranger l'outil.** De telles mesures de sécurité préventive réduisent le risque de mettre l'outil en marche accidentellement.
19. **Ranger les outils électriques inutilisés hors de la portée des enfants et ne pas laisser des personnes qui connaissent mal les outils électriques ou ces instructions utiliser ces outils.** Les outils électriques sont dangereux dans les mains d'utilisateurs non formés à leur usage.

20. **Entretien des outils électriques. S'assurer de l'absence de tout désalignement ou de grippage des pièces mobiles, de toute rupture de pièce ou de toute autre condition qui pourrait affecter le bon fonctionnement de l'outil électrique. En cas de dommages, faire réparer l'outil avant de l'utiliser de nouveau.** Les outils électriques mal entretenus sont à la source de nombreux accidents.
21. **Garder les outils de coupe affûtés et propres.** Les outils de coupe correctement entretenus et bien affûtés risquent moins de se gripper et sont plus faciles à manier.
22. **Utiliser cet outil électrique, les accessoires, les mèches, etc. conformément à ces instructions et de la façon prévue pour ce type particulier d'outil électrique, tout en prenant en compte les conditions de travail et le type de projet considérés.** L'utilisation de cet outil électrique pour un usage autre que l'usage prévu peut créer des situations dangereuses.

### UTILISATION ET ENTRETIEN DE LA BATTERIE

23. **S'assurer que le commutateur est en position OFF (Arrêt) avant d'insérer la batterie.** L'insertion de la batterie dans un outil électrique dont le commutateur est en position ON (Marche) est favorable aux accidents.
24. **Ne recharger la batterie qu'avec le chargeur spécifié par le fabricant.** Un chargeur qui convient à un type de batterie peut créer un risque d'incendie s'il est utilisé avec un autre type de batterie.
25. **N'utiliser les outils électriques qu'avec les batteries spécialement conçues pour eux.** L'utilisation de batteries d'autres marques peut créer un risque de blessure et d'incendie.
26. **Lorsque la batterie est hors service, la ranger à l'écart d'autres objets métalliques tels que trombones, pièces de monnaie, clés, clous, vis et autres petits objets métalliques qui peuvent établir une connexion d'une borne à l'autre.** Un court-circuit aux bornes de la batterie peut provoquer des brûlures ou un incendie.

27. **Du liquide peut être éjecté de la batterie en cas de manutention abusive ; éviter tout contact. En cas de contact accidentel avec les projections, rincer à l'eau. En cas de contact avec les yeux, consulter un médecin.** Le liquide s'échappant de la batterie peut provoquer des irritations ou des brûlures.

### ENTRETIEN

28. **Faire effectuer l'entretien de l'outil électrique par un technicien qualifié qui n'utilisera que des pièces de rechange identiques.** La sécurité d'utilisation de l'outil en sera préservée.

### RÈGLES DE SÉCURITÉ SPÉCIFIQUES

1. **Porter des protège-oreilles avec un marteau perforateur.** Une exposition au bruit peut provoquer une perte auditive.
2. **Tenir l'outil par les surfaces de prise isolées si, au cours des travaux, l'outil de coupe risque d'entrer en contact avec des fils cachés ou avec son propre cordon.** Le contact avec un fil sous tension met les parties métalliques exposées de l'outil sous tension, ce qui infligera un choc électrique à l'opérateur.
3. **Entretenez les étiquettes et marques du fabricant.** Les indications qu'elles contiennent sont précieuses. Si elles deviennent illisibles ou se détachent, faites-les remplacer gratuitement à un centre de service **MILWAUKEE** accrédité.

4. **AVERTISSEMENT!** La poussière dégagée par perçage, sciage et autres travaux de construction contient des substances chimiques reconnues comme pouvant causer le cancer, des malformations congénitales ou d'autres troubles de reproduction. Voici quelques exemples de telles substances :

- Le plomb contenu dans la peinture au plomb.
- Le silice cristallin contenu dans la brique, le béton et divers produits de maçonnerie.
- L'arsenic et le chrome servant au traitement chimique du bois.

Les risques associés à l'exposition à ces substances varient, dépendant de la fréquence des travaux. Afin de minimiser l'exposition à ces substances chimiques, assurez-vous de travailler dans un endroit bien aéré et d'utiliser de l'équipement de sécurité tel un masque antipoussière spécifiquement conçu pour la filtration de particules microscopiques.

### Pictographie

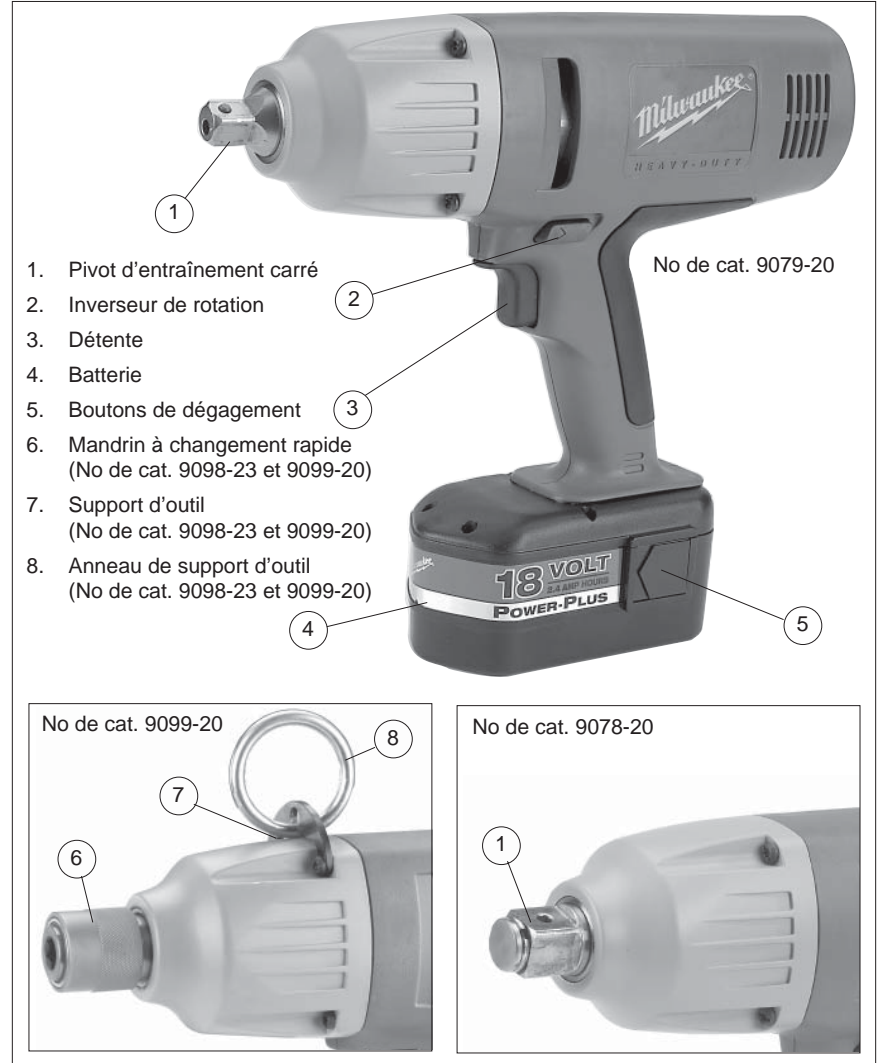
	Tension CD seul.
$n_{xxxx}/min.$	Impacts par minute à charge (IPM)
	Underwriters Laboratories Inc.

### Spécifications

No de cat.	Volts CD	Tr/min. à vide	Pivot d'entraînement carré	Coups-Minute	Sortie de couple moyenne*
9078-20	18	0 - 1 350	3/4"	0 - 2 150	441 Nm*
9079-20	18	0 - 1 400	1/2"	0 - 2 200	325 Nm*
9098-23	18	0 - 1 400	5/8" Hex	0 - 2 200	366 Nm*
9099-20	18	0 - 1 400	7/16" Hex	0 - 2 200	366 Nm*

\* Sortie calibrée à pleine vitesse

### DESCRIPTION FONCTIONNELLE



1. Pivot d'entraînement carré
2. Inverseur de rotation
3. Détente
4. Batterie
5. Boutons de dégagement
6. Mandrin à changement rapide (No de cat. 9098-23 et 9099-20)
7. Support d'outil (No de cat. 9098-23 et 9099-20)
8. Anneau de support d'outil (No de cat. 9098-23 et 9099-20)

### Capacité du mandrin à changement rapide\*

No de cat.	Mèches hélicoïdales à changement rapide	Mèches à auto-avance
9079-20	38 mm (1-1/2")	65 mm (2-9/16")
9098-23	38 mm (1-1/2")	65 mm (2-9/16")
9099-20	38 mm (1-1/2")	65 mm (2-9/16")

\* Seulement pour une utilisation avec le mandrin hexagonal à changement rapide de 7/16" ou 5/8", en équipement standard sur le 9099-20 (7/16") et 9098-23 (5/8"), accessoire en option (no de cat. 48-66-0061) sur les autres modèles.



## MONTAGE DE L'OUTIL

### AVERTISSEMENT

Ne recharger la batterie qu'avec le chargeur indiqué pour la batterie. Pour les instructions de charge spécifiques, lire le manuel de l'opérateur fourni avec le chargeur et la batterie.

### AVERTISSEMENT

Verrouillez toujours la détente ou retirez la batterie avant de changer ou d'enlever les accessoires. Utilisez les accessoires spécifiquement recommandés pour cet outil, l'utilisation d'autres accessoires pourrait comporter des risques.

#### Retrait de la batterie de l'outil

Appuyez sur les boutons de dégagement et retirez la batterie.

#### Introduction de la batterie dans l'outil

La batterie peut être introduite dans l'outil de deux façons.

1. Lorsque l'espace est restreint.

Introduisez la batterie par le devant en appuyant sur les boutons de dégagement et en la glissant dans le corps de l'outil pour qu'elle s'enclenche (Fig. 1).

Fig. 1



2. Pour une bonne répartition du poids et un bon équilibre.

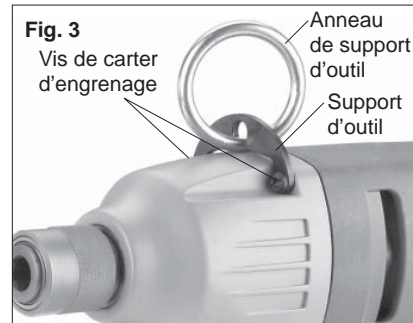
Introduisez la batterie par l'arrière en appuyant sur les boutons de dégagement et en la glissant dans le corps de l'outil pour qu'elle s'enclenche (Fig. 2).

Fig. 2



#### Installation et retrait du support d'outil (No de cat. 9098-23, 9099-20 ou en tant qu'accessoire)

Fig. 3

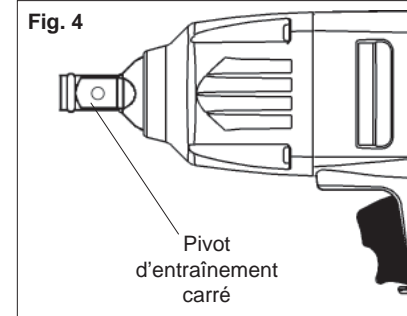


1. Pour **installer**, retirez les deux vis du carter d'engrenage (Fig. 3).
2. Placez l'anneau au travers du support à outil.
3. Positionnez le support à outil sur l'outil, par dessus les deux trous du carter d'engrenage.
4. Remettez en place les deux vis de carter d'engrenage. Serrez les vis à la main.
5. Pour **retirer**, exécutez la procédure à l'inverse.

#### Installation et retrait des accessoires (No de cat. 9078-20)

Cette clé à percussion est conçue uniquement pour être utilisée avec des douilles calibrées pour la percussion et pourvues d'un pivot d'entraînement carré de 3/4". D'autres genres de douilles pourraient éclater ou se

Fig. 4



1. Pour fixer les douilles ou tout autre accessoire à entraînement par pivot carré de 3/4", il suffit de les encliqueter en place sur le pivot.
2. Pour retirer l'accessoire, tirez-le directement hors du pivot.

### AVERTISSEMENT

N'utilisez que des douilles ou des accessoires spécifiquement calibrés pour usage avec ce genre de clé. D'autres douilles ou accessoires pourraient se briser ou éclater et causer des blessures graves.

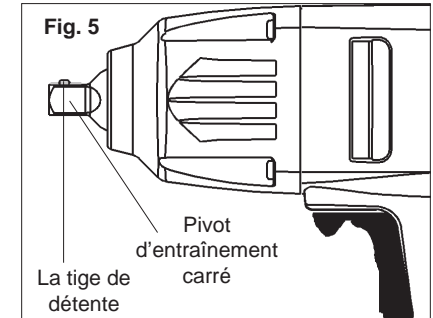
#### Installation et retrait des accessoires No de cat. 9079-20

Cette clé à percussion est conçue uniquement pour être utilisée avec des douilles calibrées pour la percussion et pourvues d'un pivot d'entraînement carré de 1/2". D'autres genres de douilles pourraient éclater ou se briser et constituer un risque de blessures.

1. Pour fixer les douilles ou tout autre accessoire, alignez le trou dans l'accessoire avec la tige de détente du pivot. Maintenez la tige de détente tout en poussant la douille dans le pivot. La tige de détente va s'encliqueter dans le trou pour fixer la douille.

2. Pour enlever l'accessoire, insérez un clou ou un autre objet mince dans le trou de l'accessoire et pressez sur la tige de détente. Tirez l'accessoire hors du pivot.

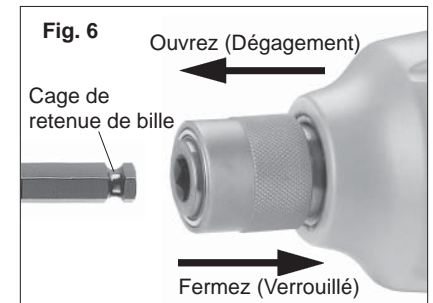
Fig. 5



#### Installation et retrait des accessoires Clés à chocs du no de cat. 9098-23, 9099-20, ou autres clés qui utilisent l'adaptateur à changement rapide de l'entraînement carré de 1/2" vers l'hexagonal de 7/16"

Le no de cat. 9099-20 et les accessoires du no de cat. 48-66-0061 sont conçus pour être utilisés avec des forets et des adaptateurs avec queue hexagonale de 7/16". Le no de cat. 9098-23 sont conçus pour être utilisés avec des forets et des adaptateurs avec queue hexagonale de 5/8". Le changement rapide a un cage de retenue de bille. Il n'est pas conçu pour une utilisation avec des extensions de forets à queue hexagonale.

Fig. 6



1. Pour installer un accessoire, tirez vers l'avant le collier du mandrin et insérez la queue. Relâchez le collier. Il peut s'avérer nécessaire de tirer le foret légèrement vers l'extérieur pour engager le mécanisme de maintien.
2. Pour retirer l'accessoire, tirez vers l'avant le collier du mandrin et enlevez l'accessoire. Relâchez le collier.

## MANIEMENT

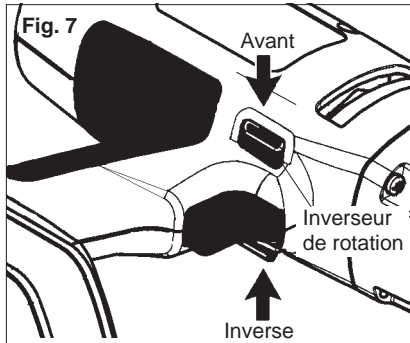


### AVERTISSEMENT

Pour minimiser les risques de blessures, portez des lunettes à coques latérales.

#### Utilisation l'inverseur de rotation

L'inverseur de rotation peut être placé à trois positions : « Forward » (rotation avant), « Reverse » (rotation inverse) et « Lock » (verrouillage). À cause de son mécanisme de verrouillage, l'inverseur de rotation peut être positionné uniquement lorsque la détente n'est pas enfoncée. Attendez toujours l'arrêt complet du moteur avant d'actionner l'inverseur de rotation.



1. Pour la rotation **avant** (sens horaire) poussez l'inverseur de rotation à la position « Forward ». Vérifiez le sens de la rotation avant d'actionner l'inverseur de rotation.

2. Pour la rotation **inverse** (sens inverse-horaire) poussez l'inverseur de rotation à la position « Reverse ». Vérifiez le sens de la rotation avant d'actionner l'inverseur de rotation.
3. Pour verrouiller la détente, poussez l'inverseur de rotation à la position centrale. La détente ne peut être actionnée lorsque l'inverseur de rotation est à la position de verrouillage. Verrouillez toujours la détente ou retirez la batterie de l'outil avant de procéder à des travaux d'entretien, au changement des accessoires, au rangement de l'outil ou lorsque l'outil n'est pas utilisé.



### AVERTISSEMENT

Pour minimiser les risques de blessures, gardez les mains à distance de la mèche et des pièces en mouvement.



### AVERTISSEMENT

Pour réduire les risques d'explosion, de chocs électriques et de dommages à la propriété, vérifiez toujours que l'aire de travail ne contient pas de



### AVERTISSEMENT

Pour réduire les risques de blessures, saisissez l'outil **seulement par la poignée et par les surfaces isolées, de couleur rouge (Fig. 8)**. Ne pas tenir le carter d'engrenages, de couleur grise, pendant la percussion ou le perçage.

Fig. 8



#### Démarrage, arrêt et contrôle de vitesse

Cette clé à percussion peut être utilisée à n'importe quelle vitesse entre 0 et le plein régime.

1. Pour mettre l'outil **en marche**, appuyez sur la détente.
2. Pour varier la vitesse de rotation, il s'agit simplement d'augmenter ou de diminuer la pression sur la détente. Plus la détente est enfoncée, plus la vitesse de rotation est grande.
3. Pour **arrêter** l'outil, relâchez la détente.

#### Techniques de serrage

Le degré de serrage du boulon, de la vis ou de l'écrou est proportionnel à la durée de la percussion. Pour éviter d'endommager les fixations ou le matériau, limitez la durée de la percussion. Soyez particulièrement prudent lorsque vous serrez des fixations de petit calibre qui requièrent moins de percussion.

Pratiquez le serrage à percussion avec divers types de fixations afin d'apprendre quelle est la durée de percussion nécessaire pour obtenir le couple désiré. Vérifiez le serrage à l'aide d'une clé dynamométrique. Si la fixation est trop serrée, réduisez la durée de percussion. Si la fixation n'est pas serrée à fond, augmentez la durée de percussion.

Deux secondes de percussion suffisent habituellement pour serrer un boulon de 3/8" et une seconde pour un de 5/16". Cependant, l'huile, la poussière ou d'autres saletés sur le filetage ou sous la tête de la fixation peuvent affecter le degré de serrage.

Le couple nécessaire pour desserrer une fixation est en moyenne 75 % à 80 % du couple nécessaire pour la serrer, selon l'état des surfaces en contact. Toutefois, si de la rouille ou de la corrosion entraînent un grippement, un couple de serrage plus élevé pourrait être requis.

Pour les simples tâches de joint d'étanchéité, percez chaque fixation pour un serrage relativement léger et terminez le serrage à la main à l'aide d'une clé dynamométrique.

## MAINTENANCE



### AVERTISSEMENT

**Pour minimiser les risques de blessures corporelles, débranchez le chargeur et retirez la batterie du chargeur ou de l'outil avant d'y effectuer des travaux d'entretien. Ne démontez jamais l'outil, la batterie ou le chargeur. Pour toute réparation, consultez un centre de service MILWAUKEE accrédité.**

Gardez l'outil, la batterie et le chargeur en bon état en adoptant un programme d'entretien ponctuel. Après une période de six mois à un an, selon l'utilisation, renvoyez l'outil, la batterie et le chargeur à un centre de service MILWAUKEE accrédité pour les services suivants:

- Lubrification
- Inspection et nettoyage de la mécanique (engrenages, pivots, coussinets, boîtier etc.)
- Inspection électrique (batterie, chargeur, moteur)
- Vérification du fonctionnement électromécanique

#### Entretien de l'outil

Si l'outil ne démarre pas ou ne fonctionne pas à pleine puissance alors qu'il est branché sur une batterie complètement chargée, nettoyez les points de contact entre la batterie et l'outil. Si l'outil ne fonctionne toujours pas correctement, renvoyez l'outil, le chargeur et la batterie à un centre de service MILWAUKEE accrédité, afin qu'on en effectue la réparation (voir "Réparations").



### AVERTISSEMENT

**Pour minimiser les risques de blessures ou de dommages à l'outil, n'immergez jamais l'outil, la batterie ou le chargeur et ne laissez pas de liquide s'y infiltrer.**

#### Nettoyage

Débarrassez les événements du chargeur et de l'outil des débris et de la poussière. Gardez les poignées de l'outil propres, à sec et exemptes d'huile ou de graisse. Le nettoyage de l'outil, du chargeur et de la batterie doit se faire avec un linge humide et un savon doux. Certains nettoyants tels l'essence, la térébenthine, les diluants à laque ou à peinture, les solvants chlorés, l'ammoniac et les détergents d'usage domestique qui en contiennent pourraient détériorer le plastique et l'isolation des pièces. Ne laissez jamais de solvants inflammables ou combustibles auprès de l'outil.

#### Réparations

Pour les réparations, retournez outil, batterie et chargeur en entier au centre-service le plus près, selon la liste apparaissant à la dernière page de ce manuel.

## ACCESSOIRES



### AVERTISSEMENT

**Retirez toujours la batterie avant de changer ou d'enlever les accessoires. L'utilisation d'autres accessoires que ceux qui sont spécifiquement recommandés pour cet outil peut comporter des risques.**

Pour une liste complète des accessoires, prière de se reporter au catalogue MILWAUKEE Electric Tool ou visiter le site internet [www.milwaukeetool.com](http://www.milwaukeetool.com). Pour obtenir un catalogue, il suffit de contacter votre distributeur local ou l'un des centres-service énumérés sur la page de couverture de ce manuel.

## GARANTIE LIMITÉE DE L'OUTIL DE CINQ ANS

Chaque outil électrique MILWAUKEE (y compris le chargeur de batterie) est garanti à l'acheteur d'origine être exempt de vice du matériau et de fabrication. Sous réserve de certaines exceptions, MILWAUKEE réparera ou remplacera toute pièce d'un outil électrique qui, après examen, sera avéré par MILWAUKEE être affecté d'un vice du matériau ou de fabrication pendant une période de cinq (5) ans\* après la date d'achat. Le retour de l'outil électrique, accompagné d'une copie de la preuve d'achat à un site d'entretien d'usine/de promotion des ventes de MILWAUKEE ou à un poste d'entretien agréé MILWAUKEE, en port prépayé et assuré, est requis pour que cette garantie s'applique. Cette garantie ne couvre pas les dommages que MILWAUKEE détermine être causés par des réparations ou des tentatives de réparation par quiconque autre que le personnel agréé par MILWAUKEE, des utilisations incorrectes, des altérations, des utilisations abusives, une usure normale, une carence d'entretien ou les accidents.

\* La période de garantie pour les palans (palans à levier, à chaîne manuelle et à la chaîne électrique), les ensembles de batteries au Ni-Cd, les projecteurs de travail (lampes sans fil), les radios de chantier et les chariots de travail industriel Trade Titans™ est de un (1) an à partir de la date d'achat.

\*Il existe une garantie séparée pour les ensembles de batteries au Li-Ion qui accompagnent les outils électriques :

\*Chaque bloc de batteries au Li-Ion MILWAUKEE est couvert par une garantie de remplacement gratuit initial pour 1 000 charges/2 ans. Ceci signifie qu'avant les 1 000 premières charges ou deux (2) années suivant la date d'achat/la première charge, une batterie de rechange sera gratuitement fournie au client pour toute batterie défectueuse. Par la suite, les clients recevront aussi une garantie supplémentaire calculée au prorata dans la limite de 2 000 charges ou cinq (5) années suivant la date d'achat/la première charge, à la première échéance. Ceci signifie que chaque client obtient une garantie au prorata supplémentaire de 1 000 charges ou de trois (3) des années du bloc de batteries au Li-Ion en fonction de l'utilisation. Pendant cette période de garantie supplémentaire, le client ne paye que pour le service utilisable reçu au-delà des 1 000 premières charges/2 premières années, en fonction de la date de la première charge et du nombre de charges du bloc de batteries déterminés par le lecteur de service MILWAUKEE. Au-delà de 1 000 charges/2 ans à compter de la date d'achat/de la première charge, le client sera facturé un montant au prorata du service rendu.

L'enregistrement de la garantie n'est pas nécessaire pour bénéficier de la garantie en vigueur sur un produit MILWAUKEE. Une preuve d'achat sous la forme d'un reçu de vente ou d'autres informations considérées suffisantes par MILWAUKEE est cependant requise.

L'ACCEPTATION DES RECOURS EXCLUSIFS DE RÉPARATION ET DE REMPLACEMENT DÉCRITS PAR LES PRÉSENTES EST UNE CONDITION DU CONTRAT D'ACHAT DE TOUT PRODUIT MILWAUKEE. SI VOUS N'ACCEPTEZ PAS CETTE CONDITION, VOUS NE DEVEZ PAS ACHETER LE PRODUIT. EN AUCUN CAS MILWAUKEE NE SAURAIT ÊTRE RESPONSABLE DE TOUT DOMMAGE ACCESSOIRE, SPÉCIAL OU INDIRECT, DE DOMMAGES-INTÉRÊTS PUNITIFS OU DE TOUTE DÉPENSE, D'HONORAIRES D'AVOCATS, DE FRAIS, DE PERTE OU DE DÉLAIS ACCESSOIRES À TOUT DOMMAGE, DÉFAILLANCE OU DÉFAUT DE TOUT PRODUIT, Y COMPRIS NOTAMMENT LES PERTES DE PROFIT. CETTE GARANTIE EST EXCLUSIVE ET REMPLACE TOUTE AUTRE GARANTIE OU CONDITION, ÉCRITE OU VERBALE, EXPRESSE OU IMPLICITE. SANS LIMITER LA GÉNÉRALITÉ DES DISPOSITIONS PRÉCÉDENTES, MILWAUKEE DÉCLINE TOUTE GARANTIE IMPLICITE DE QUALITÉ MARCHANDE OU D'ADAPTATION À UNE UTILISATION OU À UNE FIN PARTICULIÈRE ET TOUTE AUTRE GARANTIE.

Cette garantie s'applique aux produits vendus aux États-Unis, au Canada et au Mexique uniquement.

Veuillez consulter le site Internet de MILWAUKEE, [www.milwaukeetool.com](http://www.milwaukeetool.com), ou appeler le 1.800.SAWDUST (1.800.729.3878) pour trouver le site d'entretien le plus proche pour toute réparation, garantie ou non, d'un outil électrique MILWAUKEE.

## REGLAS DE SEGURIDAD GENERALES PARA HERRAMIENTAS OPERADAS POR BATERÍA



### ADVERTENCIA

#### LEA TODAS LAS INSTRUCCIONES

Si no se siguen todas las siguientes instrucciones se puede provocar una descarga eléctrica, un incendio y/o lesiones graves. El término "herramienta eléctrica" en todas las advertencias incluidas más abajo se refiere a su herramienta operada por conexión (cable) a la red eléctrica o por medio de una batería (inalámbrica).

#### GUARDE ESTAS INSTRUCCIONES

### SEGURIDAD EN EL ÁREA DE TRABAJO

1. **Mantenga limpia y bien iluminada el área de trabajo.** Las áreas desordenadas u oscuras contribuyen a que se produzcan accidentes.
2. **No utilice herramientas eléctricas en atmósferas explosivas, como en la presencia de líquidos, gases o polvo inflamables.** Las herramientas eléctricas crean chispas que pueden incendiar el polvo o las emanaciones.
3. **Mantenga a los niños y otras personas alejadas mientras utiliza una herramienta eléctrica.** Las distracciones pueden hacerle perder el control.

### SEGURIDAD ELÉCTRICA

4. **Los enchufes de las herramientas eléctricas deben ser del mismo tipo que el tomacorrientes. Nunca realice ningún tipo de modificación en el enchufe. No use enchufes adaptadores con herramientas eléctricas con conexión a tierra.** Se reducirá el riesgo de descarga eléctrica si no se modifican los enchufes y los tomacorrientes son del mismo tipo.
5. **Evite el contacto corporal con superficies con conexión a tierra, como tuberías, radiadores, estufas y refrigeradores.** El riesgo de descarga eléctrica aumenta si su cuerpo está conectado a tierra.
6. **No exponga la herramientas eléctricas a la lluvia o a condiciones de humedad.** El agua que entra en una herramienta eléctrica aumenta el riesgo de descarga eléctrica.

7. **No abuse del cable. Nunca use el cable para transportar la herramienta eléctrica, tirar de ella o desenchufarla. Mantenga el cable alejado del calor, los bordes afilados o las piezas en movimiento.** Los cables dañados o enmarañados aumentan el riesgo de descarga eléctrica.
8. **Cuando se utiliza una herramienta eléctrica en el exterior, use una extensión que sea apropiada para uso en el exterior.** El uso de un cable apropiado para el exterior reduce el riesgo de descarga eléctrica.

### SEGURIDAD PERSONAL

9. **Manténgase alerta, ponga cuidado a lo que está haciendo y use el sentido común cuando utilice una herramienta eléctrica. No use una herramienta eléctrica cuando está cansado o bajo la influencia de drogas, alcohol o medicinas.** Desprestarse un minuto cuando se utiliza una herramienta eléctrica puede tener como resultado lesiones personales graves.
10. **Use equipo de seguridad. Lleve siempre protección ocular.** Llevar equipo de seguridad apropiado para la situación, como una máscara antipolvo, zapatos de seguridad antideslizantes casco o protección auditiva, reducir á las lesiones personales.
11. **Evite los arranques accidentales. Asegúrese de que el interruptor esté en la posición de apagado antes de enchufar la herramienta.** Mover herramientas con el dedo en el interruptor o enchufar herramientas con el interruptor en la posición de encendido contribuye a que se produzcan accidentes.

12. **Quite todas las llaves de ajuste antes de encender la herramienta.** Una llave que esté acoplada a una pieza giratoria de la herramienta puede provocar lesiones personales.
13. **No se estire demasiado. Mantenga los pies bien asentados y el equilibrio en todo momento.** Esto permite tener mejor control de la herramienta eléctrica en situaciones inesperadas.
14. **Vístase de manera apropiada. No lleve ropa suelta ni joyas. Mantenga el cabello, la ropa y los guantes lejos de las piezas en movimiento.** La ropa floja, las joyas o el cabello largo pueden quedar atrapados en las piezas en movimiento.
15. **Si se proporcionan dispositivos para la conexión de sistemas de recolección y extracción de polvo, asegúrese de que estén conectados y se usen apropiadamente.** El uso de estos dispositivos puede reducir los peligros relacionados con el polvo.

### USO Y CUIDADO DE LAS HERRAMIENTAS ELÉCTRICAS

16. **No fuerce la herramienta eléctrica. Use la herramienta eléctrica correcta para la aplicación.** La herramienta eléctrica correcta funcionará mejor y de manera más segura a la velocidad para la que se diseñó.
17. **No use la herramienta eléctrica si el interruptor no la enciende ni la apaga.** Cualquier herramienta eléctrica que no se pueda controlar con el interruptor es peligrosa y se debe reparar.
18. **Desconecte el enchufe de la toma de alimentación y/o la batería de la herramienta eléctrica antes de realizar cualquier ajuste, cambiar accesorios o almacenar las herramientas eléctricas.** Dichas medidas preventivas de seguridad reducen el riesgo de que la herramienta se prenda accidentalmente.
19. **Almacene las herramientas eléctricas fuera del alcance de los niños y no permita que personas no familiarizadas con ellas o estas instrucciones las utilicen.** Las herramientas eléctricas son peligrosas en las manos de usuarios no capacitados.

20. **Mantenimiento de las herramientas eléctricas. Revise que no haya piezas móviles que estén desalineadas o que se atasquen, piezas rotas ni ninguna otra condición que pueda afectar el funcionamiento de la herramienta eléctrica. Si se encuentran daños, haga que le reparen la herramienta antes de usarla.** Las herramientas mal mantenidas son la causa de muchos accidentes.
21. **Mantenga las herramientas de corte limpias y afiladas.** Es menos probable que se atasquen las herramientas de corte con filos afilados que se mantienen de manera apropiada y también son más fáciles de controlar.
22. **Use la herramienta eléctrica, los accesorios y las brocas, etc. siguiendo estas instrucciones y de la manera para la que dicha herramienta eléctrica en particular fue diseñada, teniendo en cuenta las condiciones de trabajo y la tarea que se va a realizar.** El uso de la herramienta eléctrica para operaciones diferentes de aquellas para las que se diseño podría resultar en una situación peligrosa.

### USO Y CUIDADO DE LAS HERRAMIENTAS CON BATERÍA

23. **Asegurarse de que el interruptor esté en la posición apagada antes de colocar la batería.** Colocar la batería en las herramientas eléctricas que tienen el interruptor en la posición de encendido contribuye a que se produzcan accidentes.
24. **Recárguela solamente con el cargador especificado por el fabricante.** Un cargador que sea apropiado para un tipo de batería puede crear riesgo de incendio cuando se use con otra batería.
25. **Use las herramientas eléctricas solamente con baterías específicamente diseñadas.** El uso de cualquier otro tipo de batería puede crear riesgo de lesiones o incendio.

26. Cuando no se use la batería manténgala alejada de otros objetos de metal como clips para papel, monedas, llaves, clavos, tornillos u otros objetos de metal pequeños que puedan realizar una conexión entre los bornes. Realizar un cortacircuito en los terminales de la batería puede provocar quemaduras o un incendio.
27. Bajo condiciones abusivas, puede salir líquido expulsado de la batería; evitar el contacto. Si se produce un contacto accidental, lavar con agua. Si el líquido entra en contacto con los ojos buscar ayuda médica adicional. El líquido que sale despedido de la batería puede causar irritaciones o quemaduras.

### MANTENIMIENTO

28. Haga que un técnico calificado realice el mantenimiento de la herramienta eléctrica utilizando solamente piezas de repuesto idénticas. Esto asegurará que se mantiene la seguridad de la herramienta eléctrica.

### REGLAS ESPECIFICAS DE SEGURIDAD

1. Lleve protectores auditivos cuando use la broca de impacto. La exposición a un ruido puede producir la pérdida de la audición.
2. Agarre la herramienta por los asideros aislados cuando realice una operación en la que la herramienta de corte pueda entrar en contacto con cables ocultos o con su propio cable. El contacto con un cable "con corriente" hará que las partes de metal expuesto de la herramienta pasen la corriente y produzcan una descarga al operador.

3. Guarde las etiquetas y placas de especificaciones. Estas tienen información importante. Si son ilegibles o si no se pueden encontrar, póngase en contacto con un centro de servicio de MILWAUKEE para una refacción gratis.
4. ¡ADVERTENCIA! Algunas partículas de polvo resultantes del lijado mecánico, aserrado, esmerilado, taladrado y otras actividades relacionadas a la construcción, contienen sustancias químicas que se saben ocasionan cáncer, defectos congénitos u otros daños al aparato reproductivo. A continuación se citan algunos ejemplos de tales sustancias químicas:
- plomo proveniente de pinturas con base de plomo
  - sílice cristalino proveniente de ladrillos, cemento y otros productos de albañilería y
  - arsénico y cromo provenientes de madera químicamente tratada.
- El riesgo que usted sufre debido a la exposición varía dependiendo de la frecuencia con la que usted realiza estas tareas. Para reducir la exposición a estas sustancias químicas: trabaje en un área bien ventilada, y utilice equipo de seguridad aprobado como, por ejemplo, máscaras contra el polvo que hayan sido específicamente diseñadas para filtrar partículas microscópicas.

### Simbología

<b>V</b>	Volts corriente directa
<b>n</b> <b>xxxx/min.</b>	Impactos por minuto bajo carga (IPM)
	Underwriters Laboratories, Inc.

### Especificaciones

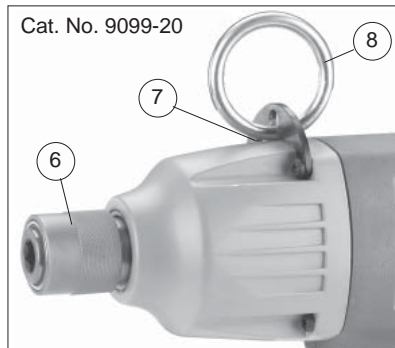
Cat. No.	Volts cd	rpm	Zanco de Mardo Cuadrado	Impactos por Minuto	Entrega Maxima de Torque*
9078-20	18	1 - 1 350	3/4"	0 - 2 150	441 Nm*
9079-20	18	0 - 1 400	1/2"	0 - 2 200	325 Nm*
9098-23	18	0 - 1 400	5/8" Hex	0 - 2 200	366 Nm*
9099-20	18	0 - 1 400	7/16" Hex	0 - 2 200	366 Nm*

\* Entrega medida a plena velocidad

### DESCRIPCIÓN FUNCIONAL



- Zanco de mando cuadrado
- Interruptor de acción y reversa
- Gatillo
- Batería
- Seguro de botón
- Mandril de cambio rápido (Cat. No. 9098-23 y 9099-20)
- Soporte colgante para herramientas (Cat. No. 9098-23 y 9099-20)
- Argolla del soporte colgante para herramientas (Cat. No. 9098-23 y 9099-20)



### Capacidades de los mandriles de cambio rápido\*

Cat. No.	Brocas de berbiquí de cambio rápido	Brocas de autoalimentación
9079-20	38 mm (1-1/2")	65 mm (2-9/16")
9098-23	38 mm (1-1/2")	65 mm (2-9/16")
9099-20	38 mm (1-1/2")	65 mm (2-9/16")

\* Para uso con el mandril hexagonal de cambio rápido de 7/16" y 5/8", equipo estándar en los modelos 9099-20 (7/16") y 9098-23 (5/8"), accesorio opcional (Cat. No. 48-66-0061) en otros modelos.

## ENSAMBLAJE DE LA HERRAMIENTA

### ⚠ ADVERTENCIA

Cargue solamente con el cargador especificado para la batería. Para obtener instrucciones específicas de carga, lea el manual del operador que se incluye con el cargador y la batería.

### ⚠ ADVERTENCIA

Para reducir el riesgo de lesiones, extraiga siempre la batería o bloquee el gatillo antes de acoplar o desacoplar accesorios. Utilice únicamente accesorios específicamente recomendados para esta herramienta. El uso de accesorios no recomendados podría resultar peligroso.

### Como se quita la batería de la herramienta

Presione el botón de liberación y saque la batería.

### Cómo se retira la batería de la herramienta

Presione el botón de liberación y retire la batería.

1. Para trabajar en espacios reducidos.

Coloque la batería desde el frente, presionando el botón de liberación, deslizando la batería en la parte principal de la herramienta (Fig. 1). Coloque la batería hasta que la grapa se accione.

Fig. 1



2. Para una óptima distribución de peso y equilibrio.

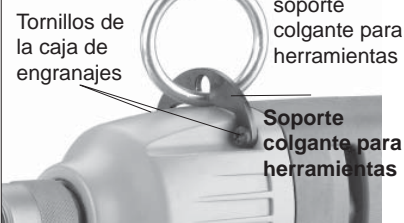
Coloque la batería desde la parte posterior, presionando el botón de liberación y deslizando la batería en el cuerpo de la herramienta (Fig. 2). Coloque la batería hasta que la grapa se accione.

Fig. 2



### Cómo colocar y desmontar el soporte colgante para herramientas (Cat. No. 9098-23, 9099-20 o como un accesorio)

Fig. 3



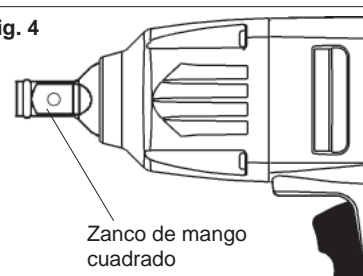
1. Para **colocar**, extraiga los dos tornillos de la parte superior de la caja de engranajes (Fig. 3).
2. Coloque la argolla a través del soporte colgante para herramientas.

3. Coloque el soporte colgante para herramientas sobre los dos orificios para tornillos en la caja de engranajes.
4. Vuelva a colocar los dos tornillos de la caja de engranajes. Apriete los tornillos con la mano.
5. Para **desmontar**, invierta el procedimiento.

### Colocación y retiro de accesorios (Cat. No. 9078-20)

Esta llave de impacto debe ser usada con sockets o dados diseñados para llaves de impacto y que tengan con un zanco de mango cuadrado de 3/4". Cualquier otro tipo de socket o dado podría romperse o cuartearse y ocasionar lesiones.

Fig. 4



1. Para colocar un socket o algún otro accesorio, presione el accesorio en el zanco de mango cuadrado hasta que ajuste en su lugar.
2. Para retirar el accesorio, tire de él hasta sacarlo del zanco de mango cuadrado.

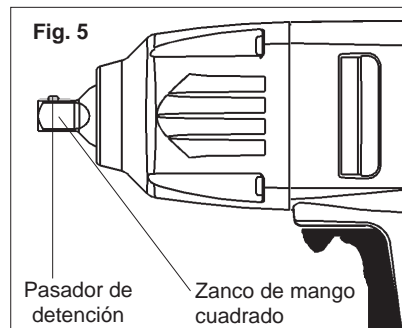
### Colocación y retiro de accesorios

Esta llave de impacto está diseñada únicamente para uso con sockets para llaves de impacto y que tengan un zanco de mango cuadrado de 1/2". Cualquier otro tipo de socket o dado podría romperse o cuartearse y ocasionar lesiones.

1. Para acoplar el socket u otro accesorio, alinee el agujero del accesorio con el pasador de detención del zanco de mango cuadrado. Mantenga el pasador de detención adentro al tiempo que presiona el socket en el zanco de mango cuadrado. El pasador se acoplará en su lugar en el agujero para fijar el socket.

2. Para retirar el accesorio, inserte un clavo u otro objeto similar en el agujero del accesorio y presione el pasador de detención hacia adentro. Tire del accesorio hacia fuera del zanco de mango cuadrado.

Fig. 5

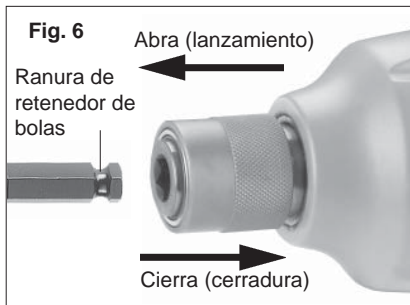


### ⚠ ADVERTENCIA

Use solamente dados o sockets y otros accesorios diseñados para utilizarse específicamente en llaves o herramientas de impacto. Cualquier otro tipo de socket o accesorio podría romperse y ocasionar lesiones.

### Cómo colocar y extraer accesorios Cat. No. 9098-23, 9099-20, o otras Llaves de Impacto que utilizan el Adaptador de Cambio Rápido del Impulsor Cuadrado de 1/2" al Hexagonal de 7/16".

Cat. No. 9099-20 y el accesorio Cat. No. 48-66-0061 han sido diseñados para uso con brocas para taladros y adaptadores con un vástago hexagonal de cambio rápido de 7/16". Cat. No. 9098-23 han sido diseñados para uso con brocas para taladros y adaptadores con un vástago hexagonal de cambio rápido de 5/8". El cambio rápido cual tiene una ranura de retenedor de bolas. No ha sido diseñado para uso con extensiones de broca de vástago hexagonal.



1. Para colocar un accesorio, tire del collar del mandril hacia delante e introduzca el vástago del accesorio. Suelte el collar. Quizás sea necesario tirar de la broca un poco hacia fuera para acoplar el mecanismo de sujeción.
2. Para extraer un accesorio, tire del collar del mandril hacia delante y extraiga el accesorio. Suelte el collar.

## OPERACION

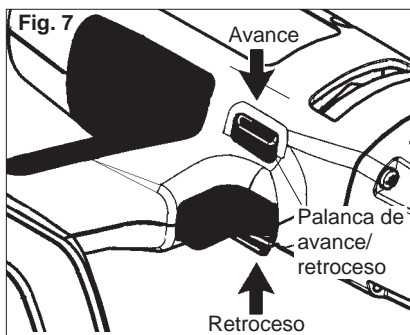


### ADVERTENCIA

Para reducir el riesgo de lesiones, use siempre lentes de seguridad o anteojos con protectores laterales.

### Uso de la palanca de avance/retroceso

La palanca de avance/retroceso puede ajustarse en tres posiciones: avance, retroceso y bloqueo. El mecanismo de bloqueo permite ajustar la palanca de avance/retroceso únicamente cuando el gatillo no se encuentra oprimido. Permita que el motor se detenga por completo antes de utilizar la palanca de avance/retroceso.



1. Para seleccionar la rotación de **avance** (hacia la derecha), empuje la palanca de avance/retroceso en la dirección que se muestra. Revise la dirección de la rotación antes de utilizar.

2. Para seleccionar la rotación de **retroceso** (hacia la izquierda), empuje la palanca de avance/retroceso hacia el centro. El gatillo no funcionará cuando la palanca de avance/retroceso se encuentre en la posición de bloqueo. Siempre bloquee el gatillo o retire la batería antes de realizar el mantenimiento, cambiar accesorios, almacenar la herramienta, y siempre que no se vaya a utilizar la herramienta.



### ADVERTENCIA

Para reducir el riesgo de una lesión, mantenga las manos lejos de la broca y de cualquier otra parte en movimiento.



### ADVERTENCIA

Para reducir el riesgo de explosión, electrocución y daño a la propiedad, antes de taladrar verifique siempre que en el área de trabajo no hayan tuberías o cables ocultos.



### ADVERTENCIA

Para reducir el riesgo de lesiones personales, sujete la herramienta únicamente por el mango y por las superficies aisladas rojas (Fig. 8). No sujete la caja de engranajes gris durante el impacto o taladrado.



### Arranque, paro y control de velocidad

Esta llave de impacto puede ser operada a cualquier velocidad desde 0 hasta velocidad plena.

1. Para **accionar** la herramienta, oprima el gatillo.
2. Para variar la velocidad de operación, simplemente aumente o disminuya la presión del gatillo. Cuanto más se oprima el gatillo, mayor será la velocidad.
3. Para **detener** la herramienta, suelte el gatillo.

### Técnicas para impactar

La duración del impacto de un perno, tornillo o tuerca es proporcional al grado de percusión. Para ayudar a evitar daños a los sujetadores o piezas de trabajo, limite la duración del impacto. Tenga mucho cuidado cuando impacte sujetadores pequeños ya que estos requieren menos impacto para alcanzar el par óptimo.

Practique con varios sujetadores y anote el tiempo que le toma alcanzar el par deseado. Verifique el impacto con una llave de apriete manual. Si los sujetadores están demasiado apretados, reduzca el tiempo de impacto. Si no están demasiado apretados, aumente el tiempo de impacto.

Dos segundos de impacto es generalmente suficiente para pernos de 3/8" y un segundo para pernos de 5/16". Sin embargo, el aceite, suciedad, óxido y otras impurezas en las roscas o debajo de la cabeza del sujetador afectan el grado de impacto.

El par necesario para aflojar un sujetador es, como promedio, de 75% a 80% de par de apriete, dependiendo de la condición de las superficies de contacto. Sin embargo, si el óxido o la corrosión ocasionan atascamiento, podría necesitarse mayor par.

En trabajos de empaquetaduras livianos, aplique un par relativamente ligero a los sujetadores y utilice la llave de apriete manual para el impacto final.

## MANTENIMIENTO



### ADVERTENCIA

Para reducir el riesgo de una lesión, desconecte siempre la herramienta antes de darle cualquier mantenimiento. Nunca desarme la herramienta ni trate de hacer modificaciones en el sistema eléctrico de la misma. Acuda siempre a un Centro de Servicio MILWAUKEE para TODAS las reparaciones.

Adopte un programa regular de mantenimiento y mantenga sus baterías y cargador en buenas condiciones. Después de 6 meses a un año, dependiendo del uso dado, envíe su herramienta, batería y cargador, al Centro de Servicio MILWAUKEE más cercano para que le hagan:

- Lubricación
- Inspección mecánica y limpieza (engranes, flechas, baleros, carcaza, etc.)
- Inspección eléctrica (batería, cargador, motor)
- Probarla para asegurar una adecuada operación mecánica y eléctrica

### Mantenimiento de la herramienta

Si la herramienta no arranca u opera a toda su potencia con una batería completamente cargada, limpie, con una goma o borrador, los contactos de la batería y de la herramienta. Si aun así la herramienta no trabaja correctamente, regrésela, con el cargador y la batería, a un centro de servicio MILWAUKEE para que sea reparada.



### ADVERTENCIA

Para reducir el riesgo de una lesión, descarga eléctrica o daño a la herramienta, batería o cargador, nunca los sumerja en líquidos ni permita que estos fluyan dentro de los mismos.

### Limpieza

Limpie el polvo y suciedad de las ventilas del cargador y la herramienta. Mantenga los mangos y empuñaduras limpios, secos y libres de aceite o grasa. Use solo jabón neutro y un trapo húmedo para limpiar la herramienta, batería y el cargador, ya que algunos substancias y solventes limpiadores son dañinos a los plásticos y partes aislantes. Algunos de estos incluyen: gasolina, turpentina, thinner, lacas, thinner para pinturas, solventes para limpieza con cloro, amoníaco y detergentes caseros que tengan amoníaco. Nunca usa solventes inflamables o combustibles cerca de una herramienta.

### Reparaciones

Si su herramienta, batería o cargador están dañados, envíela al centro de servicio más cercano de los listados en la cubierta posterior de este manual del operario.

## ACCESORIOS



### ADVERTENCIA

Para reducir el riesgo de lesiones, siempre extraiga la batería antes de cambiar o retirar accesorios. Utilice únicamente accesorios específicamente recomendados para esta herramienta. El uso de accesorios no recomendados podría resultar peligroso.

Para una lista completa de accesorios, refiérase a su catálogo MILWAUKEE Electric Tool o visite nuestro sitio en Internet: [www.milwaukeetool.com](http://www.milwaukeetool.com). Para obtener un catálogo, contacte su distribuidor local o uno de los centros de servicio listos en la página de cubierta de este manual.

## GARANTÍA LIMITADA DE CINCO AÑOS

Cada herramienta eléctrica MILWAUKEE (incluyendo el cargador de batería) está garantizada sólo al comprador original de estar libre de defectos en el material y la mano de obra. Sujeto a ciertas excepciones, MILWAUKEE reparará o reemplazará por un período de cinco (5) años\* después de la fecha de compra cualquier pieza en una herramienta eléctrica que, después de haber sido examinada, MILWAUKEE determine que está defectuosa en el material o la mano de obra. Regrese la herramienta eléctrica y una copia de la prueba de compra a un concesionario de soporte de ventas/servicio de fábrica MILWAUKEE o a una estación de servicio autorizada MILWAUKEE. Para que esta garantía sea efectiva, se requiere el flete pagado por anticipado y el seguro. Esta garantía no aplica a los daños que MILWAUKEE determine sean ocasionados por reparaciones o intentos de reparación por cualquier otro que personal autorizado por MILWAUKEE, uso indebido, alteraciones, abuso, desgaste y deterioro normal, falta de mantenimiento o accidentes.

\* El período de garantía para Montacargas (de palanca, de cadena de mano y de cadena eléctrica), baterías de Ni-Cd, linternas de trabajo (inalámbricas), radios Job Site, y carros para trabajo industrial Trade Titans™ es de un (1) año a partir de la fecha de compra.

\*Hay una garantía separada para las baterías de iones de litio que acompañan las herramientas eléctricas:

\*Cada batería de iones de litio de MILWAUKEE está cubierta con una garantía de reemplazo gratuito por las primeras 1000 cargas/2 años. Esto significa que por lo que suceda primero, las primeras 1000 cargas o dos (2) años de la fecha de compra/primer carga, se proporcionará sin cargo al cliente, una batería de reemplazo por cualquier batería defectuosa. A partir de entonces, los clientes recibirán una garantía adicional en una base proporcional que puede ser hasta de las primeras 2000 cargas o cinco (5) años de la fecha de compra/primer carga, lo que suceda primero. Esto significa que cada cliente obtiene una garantía proporcional de 1000 cargas o tres (3) años adicionales en la batería de iones de litio, dependiendo de la cantidad de uso. Durante este período adicional de garantía, el cliente paga por sólo el servicio utilizable recibido durante y superior a las primeras 1000 cargas/2 años, en base de la fecha de la primer carga y número de cargas encontrados en la batería a través del lector de servicio de MILWAUKEE. Se carga una cantidad proporcionalmente por el servicio presentado al cliente, después de 1000 cargas/2 años de la fecha de compra/primer carga.

El registro de la garantía no es necesario para obtener la garantía aplicable en un producto MILWAUKEE. Sin embargo, se requiere un recibo de compras u otra información similar que MILWAUKEE considere suficiente.

LA ACEPTACIÓN DE LOS REMEDIOS EXCLUSIVOS DE REPARACIÓN Y REEMPLAZO AQUÍ DESCRITOS ES UNA CONDICIÓN DEL CONTRATO EN LA COMPRA DE CADA PRODUCTO MILWAUKEE. SI NO ESTÁ DE ACUERDO CON ESTA CONDICIÓN, NO DEBERÍA COMPRAR ESTE PRODUCTO. EN NINGÚN CASO MILWAUKEE SERÁ RESPONSABLE POR CUALESQUIER DAÑO PUNITIVO, CONSECUENTE, ESPECIAL, INCIDENTAL O POR CUALESQUIER COSTO, HONORARIOS DE ABOGADO, GASTOS, PÉRDIDAS O RETRASOS QUE SE ARGUMENTE QUE SEAN UNA CONSECUENCIA DE CUALQUIER DAÑO A, FALLA DE, O DEFECTO EN CUALQUIER PRODUCTO, INCLUYENDO, PERO SIN LIMITARSE A, CUALQUIER RECLAMO POR PÉRDIDAS DE GANANCIAS. ESTA GARANTÍA ES EXCLUSIVA Y REEMPLAZA TODAS LAS DEMÁS GARANTÍAS O CONDICIONES, ORALES O ESCRITAS, EXPRESAS O IMPLÍCITAS. SIN LIMITAR LA GENERALIDAD DE LO ANTERIOR, MILWAUKEE RENUNCIA A TODA GARANTÍA IMPLÍCITA DE COMERCIABILIDAD O APTITUD PARA UN FIN O USO ESPECÍFICO Y DEMÁS GARANTÍAS.

Esta garantía es válida solamente en el producto vendido en los Estados Unidos, México y Canadá.

Consulte la página Web de MILWAUKEE [www.milwaukeetool.com](http://www.milwaukeetool.com) o llame al 1.800.SAWDUST (1.800.729.3878) para localizar su técnico de servicio más cercano para el servicio con o sin garantía en una herramienta eléctrica MILWAUKEE.



## UNITED STATES - MILWAUKEE Service

MILWAUKEE prides itself in producing a premium quality product that is NOTHING BUT HEAVY DUTY®. Your satisfaction with our products is very important to us!

If you encounter any problems with the operation of this tool, or you would like to locate the *factory Service/Sales Support Branch* or *authorized service station*

nearest you, please call...

**1-800-SAWDUST**

(1.800.729.3878)

NATIONWIDE TOLL FREE

Monday-Friday • 8:00 AM - 4:30 PM • Central Time

or visit our website at

**www.milwaukeetool.com**

For service information, use the 'Service Center Search' icon found in the 'Parts & Service' section.

Additionally, we have a nationwide network of *authorized* Distributors ready to assist you with your tool and accessory needs. Check your "Yellow Pages" phone directory under "Tools-Electric" for the names & addresses of those nearest you or see the 'Where To Buy' section of our website.

Corporate After Sales Service - Technical Support

Brookfield, Wisconsin USA

•Technical Questions •Service/Repair Questions •Warranty

**1-800-SAWDUST**

(1.800.729.3878) fax: 1.800.638.9582

**email: metproductsupport@milwaukeetool.com**

Monday-Friday • 8:00 AM - 4:30 PM • Central Time

## Canada - Service MILWAUKEE

MILWAUKEE est fier de proposer un produit de première qualité NOTHING BUT HEAVY DUTY®. Votre satisfaction est ce qui compte le plus!

En cas de problèmes d'utilisation de l'outil ou pour localiser le centre de service/ventes ou le *centre d'entretien* le plus proche, appelez le...

**416.439.4181**

fax: 416.439.6210

**Milwaukee Electric Tool (Canada) Ltd**

755 Progress Avenue

Scarborough, Ontario M1H 2W7

Notre réseau national de distributeurs *agréés* se tient à votre disposition pour fournir l'aide technique, l'outillage et les accessoires nécessaires. Composez le 416.439.4181 pour obtenir les noms et adresses des revendeurs les plus proches ou bien consultez la section «Où acheter» sur notre site web à l'adresse

**www.milwaukeetool.com**

## MEXICO - Soporte de Servicio MILWAUKEE

**Milwaukee Electric Tool, S.A. de C.V.**

Blvd. Abraham Lincoln no. 13

Colonia Los Reyes Zona Industrial

Tlalnepantla, Edo. México C.P. 54073

Tel. (55) 5565-1414 Fax: (55) 5565-6874

Adicionalmente, tenemos una red nacional de distribuidores *autorizados* listos para ayudarte con su herramienta y sus accesorios. Por favor, llame al (55) 5565-1414 para obtener los nombres y direcciones de los más cercanos a usted, o consulte la sección 'Where to buy' (Dónde comprar) de nuestro sitio web en

**www.milwaukeetool.com**

MILWAUKEE ELECTRIC TOOL CORPORATION

13135 West Lisbon Road • Brookfield, Wisconsin, U.S.A. 53005

58-14-9079d10

04/06

Printed in USA

## Free Manuals Download Website

<http://myh66.com>

<http://usermanuals.us>

<http://www.somanuals.com>

<http://www.4manuals.cc>

<http://www.manual-lib.com>

<http://www.404manual.com>

<http://www.luxmanual.com>

<http://aubethermostatmanual.com>

Golf course search by state

<http://golfingnear.com>

Email search by domain

<http://emailbydomain.com>

Auto manuals search

<http://auto.somanuals.com>

TV manuals search

<http://tv.somanuals.com>