

WIRING INSTRUCTIONS

TITLE

CORDLESS IMPACT WRENCH

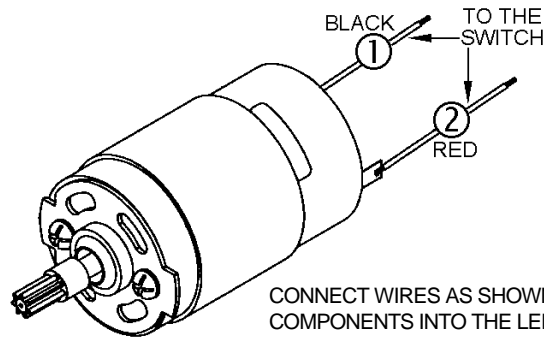
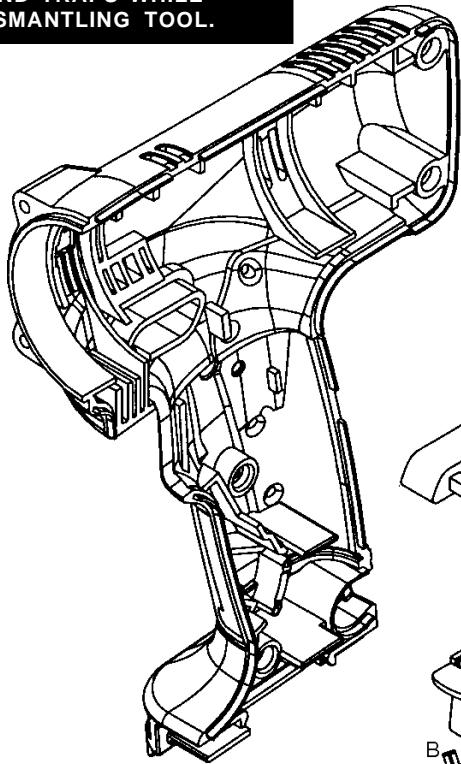
BULLETIN

MILWAUKEE ELECTRIC TOOL CORP. 13135 WEST LISBON RD. BROOKFIELD, WIS.

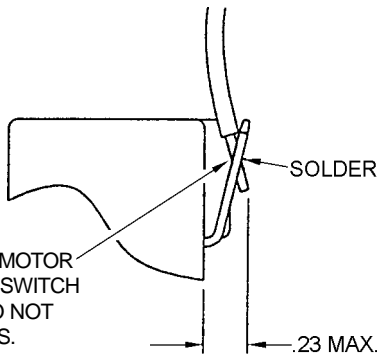
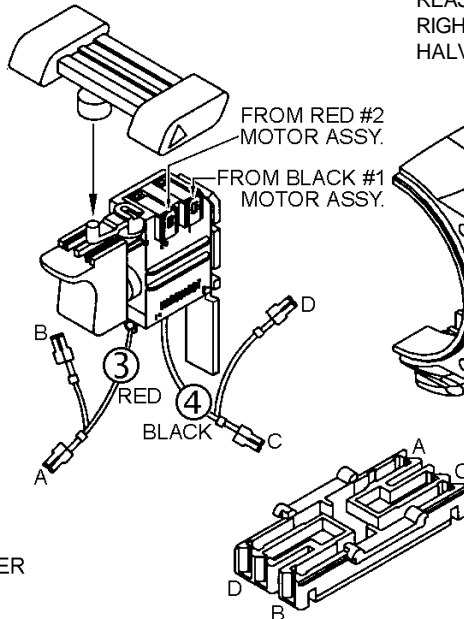
DATE
Nov. 2002

58-01-1835

AS AN AID TO REASSEMBLY,
TAKE NOTE OF WIRE ROUTING
AND POSITION IN WIRE GUIDES
AND TRAPS WHILE
DISMANTLING TOOL.



CONNECT WIRES AS SHOWN AND PLACE THE COMPONENTS INTO THE LEFT HANDLE HALVE. CAREFULLY ROUTE THE WIRES TO BE SURE THAT THERE IS NO PINCHING WHEN REASSEMBLING THE RIGHT HANDLE HALVE.



SOLDER BOTH MOTOR LEADS TO THE SWITCH AS SHOWN. DO NOT USE TERMINALS.

⚠ WARNING
SWITCH POLARITY SENSITIVE
If #3 and #4 are wired incorrectly with connector block, switch **will** be damaged and destroyed!

WIRING SPECIFICATIONS

Wire No.	Wire Color	Origin or Part No.	Gauge	Length	Terminals, Connectors and End Wire Preparation
1	Black	Motor Assy.	-	-	Component of the motor assembly.
2	Red	Motor Assy.	-	-	Component of the motor assembly.
3	Red	Switch Assy.	-	-	Component of the switch assembly.
4	Black	Switch Assy.	-	-	Component of the switch assembly.

NOTE:

All lead lengths are before stripping. All leads must be held to $\pm .125"$ unless specified elsewhere. Strip wire per ES 13-11. Crimp terminals per ES 13-15.

TERMINAL DESCRIPTION		
Code	Part No.	Qty.

BULK LEAD WIRE - BULLETIN 58-01-0003

Drwg. 2

Free Manuals Download Website

<http://myh66.com>

<http://usermanuals.us>

<http://www.somanuals.com>

<http://www.4manuals.cc>

<http://www.manual-lib.com>

<http://www.404manual.com>

<http://www.luxmanual.com>

<http://aubethermostatmanual.com>

Golf course search by state

<http://golfingnear.com>

Email search by domain

<http://emailbydomain.com>

Auto manuals search

<http://auto.somanuals.com>

TV manuals search

<http://tv.somanuals.com>