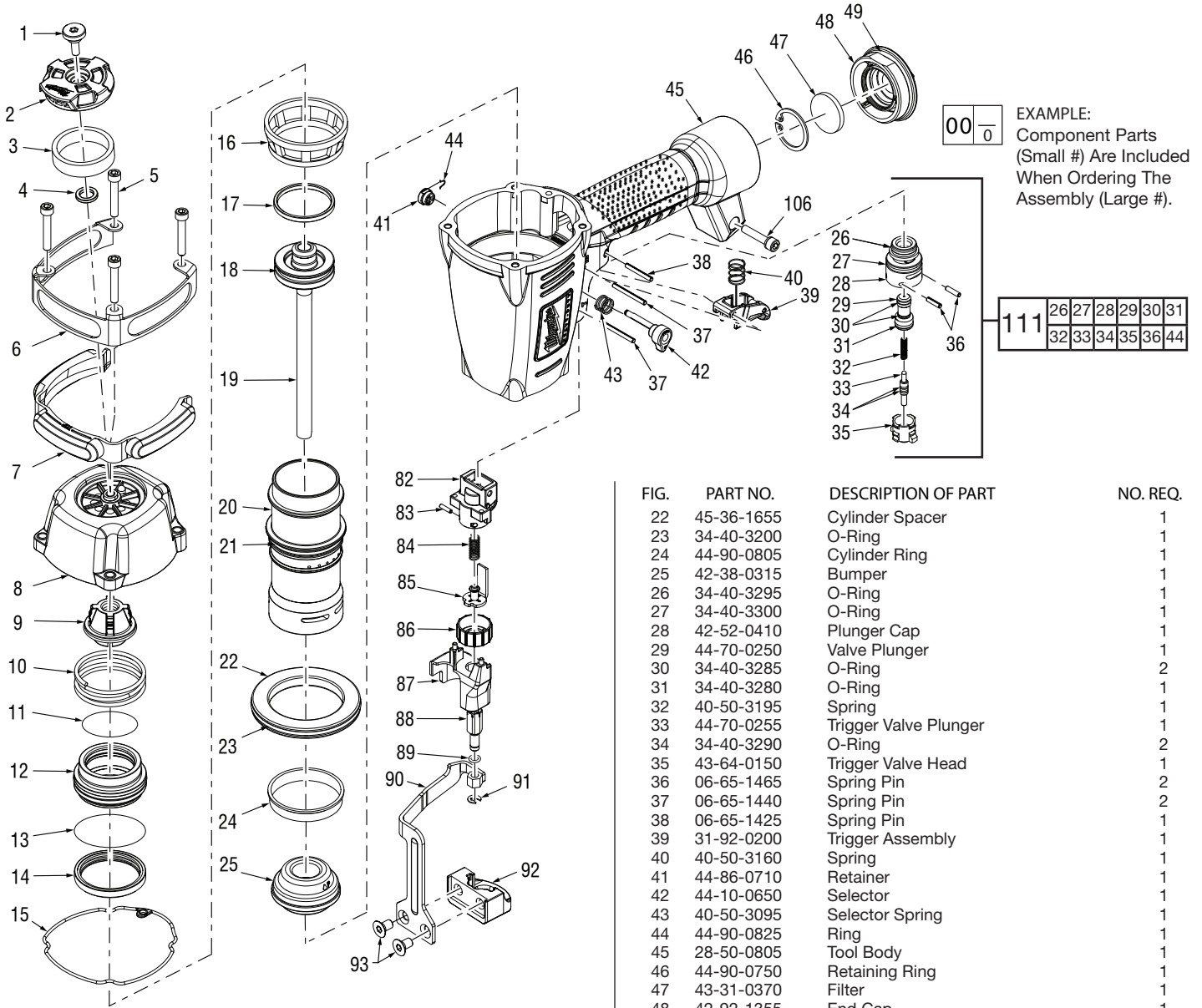




SERVICE PARTS LIST

SPECIFY CATALOG NO. AND SERIAL NO. WHEN ORDERING PARTS		REVISED BULLETIN	DATE
COIL ROOFING NAILER			Mar. 2006
CATALOG NO. 7120-21	STARTING SERIAL NUMBER	A87A	
		WIRING INSTRUCTION	



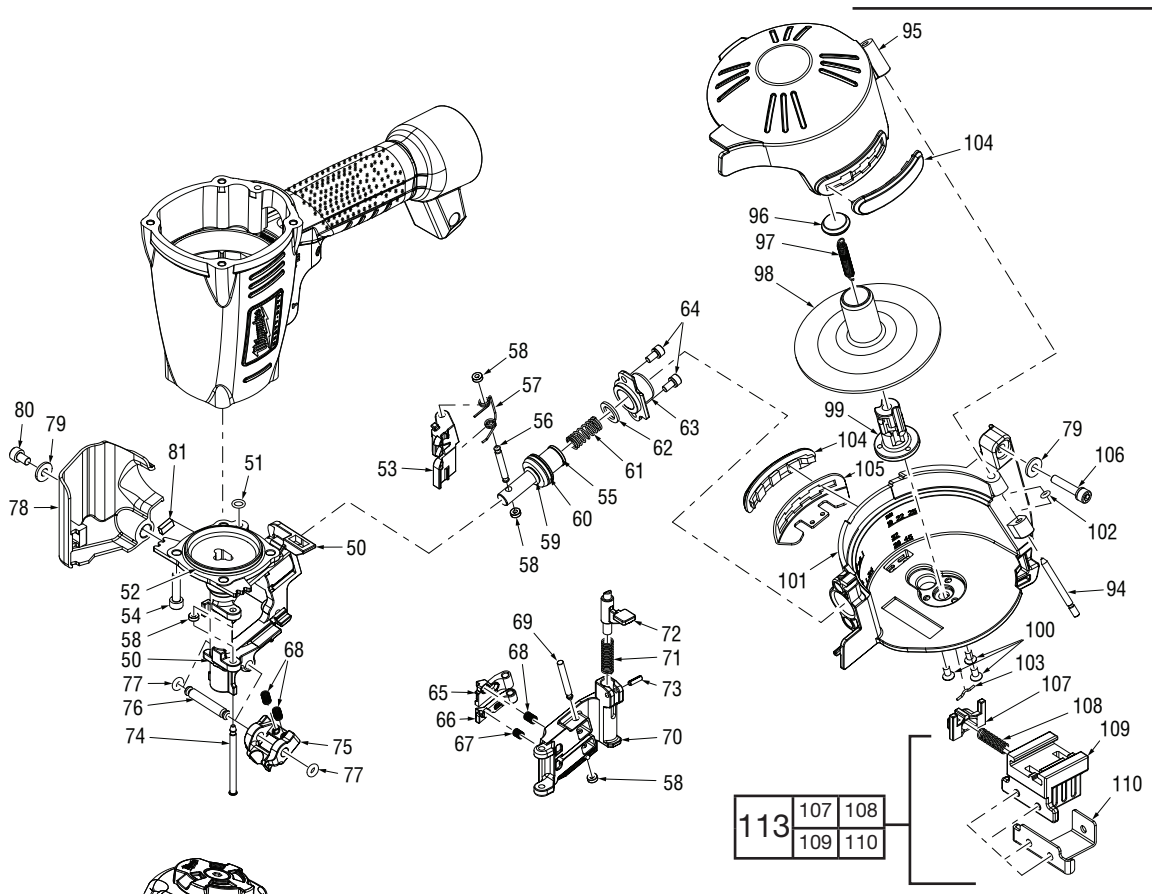
EXAMPLE:
Component Parts
(Small #) Are Included
When Ordering The
Assembly (Large #).

111	26	27	28	29	30	31
	32	33	34	35	36	44

FIG.	PART NO.	DESCRIPTION OF PART	NO. REQ.
1	05-84-0805	Deflector Bolt	1
2	31-05-0400	Deflector	1
3	43-31-0355	Muffler	1
4	45-88-1720	Deflector Pad	1
5	05-84-0925	Socket Hex Head Screw	5
6	44-66-1355	Wear Plate	1
7	42-38-0370	Wear Pad	1
8	42-92-1425	Top Cap	1
9	45-06-0945	Seal	1
10	40-50-3120	Upper Valve Spring	1
11	34-40-3195	O-Ring	1
12	44-62-0265	Head Valve Piston	1
13	34-40-3245	O-Ring	1
14	42-76-0815	Valve Collar	1
15	45-06-0915	Seal	1
16	44-90-0700	Press Ring	1
17	44-90-0730	Piston Ring	1
18	34-40-3180	O-Ring	1
19	43-12-0255	Driver Assembly	1
20	42-98-0355	Cylinder	1
21	34-40-3135	O-Ring	1

FIG.	PART NO.	DESCRIPTION OF PART	NO. REQ.
22	45-36-1655	Cylinder Spacer	1
23	34-40-3200	O-Ring	1
24	44-90-0805	Cylinder Ring	1
25	42-38-0315	Bumper	1
26	34-40-3295	O-Ring	1
27	34-40-3300	O-Ring	1
28	42-52-0410	Plunger Cap	1
29	44-70-0250	Valve Plunger	1
30	34-40-3285	O-Ring	2
31	34-40-3280	O-Ring	1
32	40-50-3195	Spring	1
33	44-70-0255	Trigger Valve Plunger	1
34	34-40-3290	O-Ring	2
35	43-64-0150	Trigger Valve Head	1
36	06-65-1465	Spring Pin	2
37	06-65-1440	Spring Pin	2
38	06-65-1425	Spring Pin	1
39	31-92-0200	Trigger Assembly	1
40	40-50-3160	Spring	1
41	44-86-0710	Retainer	1
42	44-10-0650	Selector	1
43	40-50-3095	Selector Spring	1
44	44-90-0825	Ring	1
45	28-50-0805	Tool Body	1
46	44-90-0750	Retaining Ring	1
47	43-31-0370	Filter	1
48	42-92-1355	End Cap	1
49	34-40-3250	O-Ring	1
50	30-61-0200	Nose Piece	1
51	34-40-3165	O-Ring	1
52	34-40-3265	O-Ring	2
53	44-55-0250	Feed Finger	1
54	05-84-0915	Bolt Assembly	4
55	44-62-0260	Feed Piston	1
56	44-60-1905	Feed Piston Pin	1
82	43-56-0865	Work Contact Element Guide	1
83	06-65-1405	Spring Pin	1
84	40-50-3050	Adjustment Spring	1
85	42-36-1970	Contact Bracket B	1
86	43-98-0755	Depth Adjustment Knob	1
87	42-92-1500	Work Contact Element Cover	1
88	44-94-0580	Adjustment Rod Assembly	1
89	34-40-3170	O-Ring	1
90	42-36-1985	Contact Element Bracket	1
91	44-90-0770	E-Ring	1
92	42-36-1960	Contact Element Bracket A	1
93	05-85-0050	Flat Head Hex Bolt	2

MILWAUKEE ELECTRIC TOOL CORPORATION
13135 W. Lisbon Road, Brookfield, WI 53005
Drwg.2



	94	95	96	97
	98	99	100	101
112	102	103	104	105
	107	108	109	110

113	107	108
	109	110

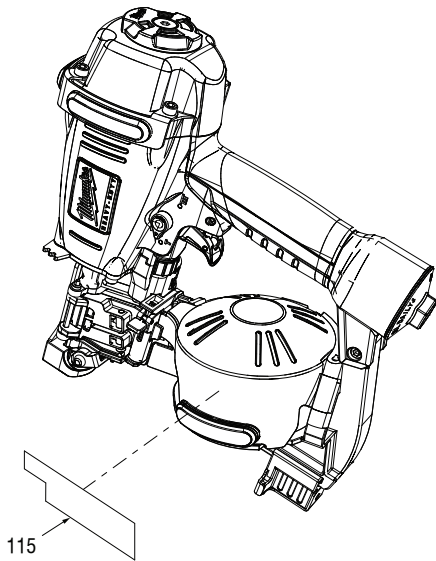


FIG.	PART NO.	DESCRIPTION OF PART	NO. REQ.
57	40-50-3005	Feed Finger Spring	1
58	44-86-0705	Retainer Ring	1
59	34-40-3235	O-Ring	1
60	34-40-3205	O-Ring	1
61	40-50-3085	Feed Piston Spring	1
62	42-38-0345	Feed Bumper	1
63	42-92-1415	Feed Piston Cap	1
64	05-84-0820	Bolt Assembly	2
65	44-55-0260	First Stopper Finger	1
66	44-55-0255	Second Stopper Finger	1
67	40-50-3010	Spring	1
68	40-50-3080	Stopper Finger Spring	1
69	44-60-1895	Nail Stop Pin	1
70	42-92-1410	Door	1
71	40-50-3015	Latch Spring	1
72	44-20-0860	Door Latch	1
73	06-65-1415	Spring Pin	1
74	44-50-0205	Door Shaft Pin	1
75	43-56-0890	Guide Block	1
76	44-60-1860	Fixed Pin	1
77	34-40-3190	O-Ring	2

FIG.	PART NO.	DESCRIPTION OF PART	NO. REQ.
78	42-92-1480	Work Contact Element Cover	1
79	45-88-1760	Flat Washer	1
80	05-84-0895	Bolt, M5 x 0.8-08	1
81	44-26-0100	Magnet	1
94	44-60-1885	Pin	2
95	42-38-0355	Magazine Cover	1
96	43-78-0165	Spring Base A	1
97	40-50-3040	Pull Spring	1
98	45-36-1660	Spacer	1
99	44-55-0265	Nail Tray Adjustor	1
100	05-78-0815	Tap Bolt	3
101	42-98-0375	Magazine Base	1
102	34-40-3130	O-Ring	1
103	44-86-0715	Spring Retainer	1
104	42-38-0365	Magazine Wear Pad B	2
105	42-98-0380	Magazine Wear Pad A	1
106	05-84-0845	Bolt Assembly	1
107	44-66-1335	Positional Plate	1
108	40-50-3055	Work Contact Element Spring	1
109	44-66-1330	Adjusting Plate A	1
110	44-66-1325	Adjusting Plate B	1
111	31-94-0110	Trigger Valve Assembly	1
112	45-24-0020	Magazine Coil Assembly	1
113	43-56-0565	Shingle Guide Assembly	1
115	12-98-0310	Service Nameplate/Warning Label	1
	14-70-0140	Overhaul Kit (Not Shown)	1
	14-70-0160	Driver Maintenance Kit (Not Shown)	1

Disassembly:

- 1, 2, 3, 4, 8 Remove bolt (1) from top cap (8) using a 4 mm hex key and remove assembly (2, 3, 4)
- 5, 8 Remove four screws (5) from top cap (8) using a 4 mm hex key.
- 8, 9, 10, 11, 12, 13, 14 Using a 1/8 in. punch, gently push valve assembly (9, 10, 11, 12, 13, and 14) out of top cap (8) through the holes in the cover.
- 16, 17, 18, 19, 20, 21, 22, 23, 24, 25, 45 Remove press ring (16) from top of cylinder (20), turn tool body (45) over and tap outside edge of tool body against a piece of wood to separate assembly (17-25) from tool body.
- 20, 22, 23, 24 Remove cylinder ring (24) from cylinder (20) prior to removing cylinder spacer assembly (22, 23).
- 45, 50, 79, 106, 112 Remove screw (106) and washer (79) from tool body (45) to lift magazine coil assembly (112) off nose piece (50).
- 37, 38, 39, 40, 41, 42, 43, 44, 45, 111 Remove trigger valve assembly (111) from tool body (45) by placing a 3/32 in. (2.5mm) punch inside half-moon slot of retainer (41) and gently tapping shaft of selector (42). Remove spring (43), retainer (41), and ring (44). Remove trigger and spring (39, 40) from tool body and push pins (37, 38) out of tool body (45) just far enough to remove valve assembly. Note: Once pins (37, 38) have been moved, trigger valve assembly (111) can be gently pushed out of the tool body from the inside handle area of the tool body using a flat blade screwdriver.
Note: Use service fixture #61-60-0005 to move spring pins (42, 43), or use a 1/8" punch.

Reassembly:

- 50, 63, 64 Apply Blue Loctite[®], 242, onto threads of screws (64) prior to installing feed piston cap (63) onto nose assembly (50).
- 50, 78, 80 Apply Blue Loctite[®] onto threads of screw (80) prior to installing work contact element cover (78) onto nose assembly (50).
- 90, 92, 93 Apply Red Loctite[®] onto threads of screws (93) when securing contact element bracket (90) to contact element bracket A (92).
- 37, 38, 45, 111 Reinstall trigger valve assembly (111) into tool body (45) by aligning the grooves in the valve assembly with the two holes for spring pins (37, 38). Drive spring pins into tool body until they are flush with the casting surface.
Use service fixture #61-60-0005 to reinstall pins (37, 38).
- 39, 40, 41, 42, 43, 44, 45 Reinstall selection lever assembly (41, 42, 43, 44,) and trigger assembly (39, 40) by doing the following.
 - Place spring (43) onto shaft of selection lever (42)
 - Position spring (40) and trigger (39) over plunger of trigger valve assembly (111)
 - Insert selection lever assembly (42, 43) into tool body (45) and align half-moon slot of retainer (41) with half-moon shaft of selection lever (42) and snap retainer assembly (41, 44) onto the shaft
- 20, 21, 22, 23 Install o-ring (21) onto cylinder (20) prior to installing cylinder spacer assembly (22, 23).
- 20, 22, 23, 24 Install cylinder ring (24) onto cylinder (20) only after cylinder ring assembly (22, 23) have been installed.

Note: Large flanged end of cylinder ring (24) must facing the top of cylinder (20) when installed.
- 17, 18, 19, 20, 21, 22, 23, 24, 25, 45, 50 Install preassembled driver assembly (17, 18, and 19) into preassembled cylinder assembly (20, 21, 22, 23, 24, and 25) and install assembled components into tool body (45). Note: Orientation of driver assembly (19) must match orientation in nose assembly (50).
- 8, 16, 20 Install press ring (16) onto top of cylinder (20) with wide edge facing toward top cap (8).
- 2, 6, 7 Install bumper band pad (7) into bumper band (6) with the word 'TOP' facing toward deflector (2).
- 47, 48 Install smooth side of filter (47) toward end cap (48).
- 1, 8 Apply Blue Loctite[®] onto threads of screw (1) if removed from top cap (8).

Lubrication:

Type I Grease 49-08-7100

Clean all parts with a dry clean cloth.

- | | |
|---|---|
| 8, 9, 10, 11, 12,
13, 14, | Place a thin coating of grease into internal bore of top cap (8), coat parts (9-14) and reassemble in order shown. |
| 18, 17, 19 | Coat o-ring (18) and piston ring (17) prior to installing into groove of driver assembly (19). |
| 20, 21, 22, 23, 24 | Coat cylinder o-ring (21), cylinder spacer (22), o-ring (23) and cylinder ring (24) prior to installing onto cylinder (20). |
| 26, 27 28, 29, 30,
31, 32, 33, 34,
35, 36 | Coat all parts of the trigger valve assembly if being replaced individually. Components cleaned in any type of solvent or water solution will require new lubrication. Note: A new trigger valve assembly will be pre-lubricated and will not require any additional lubrication. |
| 50, 55, 56, 57, 59,
60, 61, 62 | Place a thin coating of grease into pocket of feed piston located on nose (50). Once pocket area has been coated, coat additional components (55, 56, 57, 59, 60, 61, and 62). |

Free Manuals Download Website

<http://myh66.com>

<http://usermanuals.us>

<http://www.somanuals.com>

<http://www.4manuals.cc>

<http://www.manual-lib.com>

<http://www.404manual.com>

<http://www.luxmanual.com>

<http://aubethermostatmanual.com>

Golf course search by state

<http://golfingnear.com>

Email search by domain

<http://emailbydomain.com>

Auto manuals search

<http://auto.somanuals.com>

TV manuals search

<http://tv.somanuals.com>