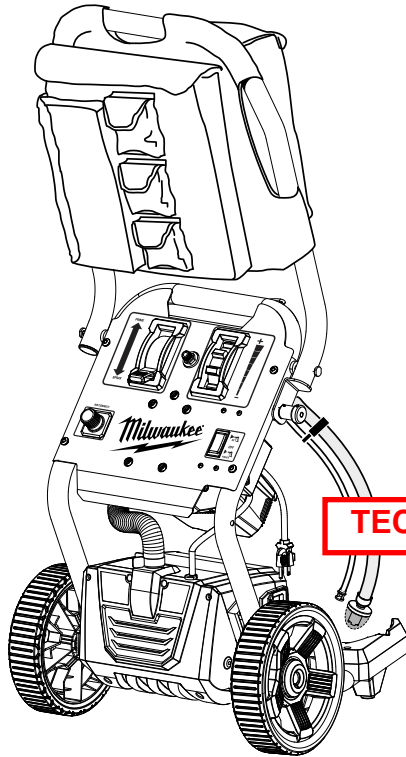




**OPERATOR'S MANUAL
MANUEL D'UTILISATION
MANUAL DEL OPERADOR**



**AIRLESS/FINISH PAINT
SPRAYER
PULVÉRISATEUR À PEINTURE
SANS AIR/FINITION
ROCIADOR DE PINTURA SIN
AIRE/ACABADO
M4910-20**

TECHNICAL SUPPORT - SPARE PARTS 1.877.203.0880

Your airless paint sprayer has been engineered and manufactured to our high standard for dependability, ease of operation, and operator safety. When properly cared for, it will give you years of rugged, trouble-free performance.

⚠ WARNING: To reduce the risk of injury, the user must read and understand the operator's manual before using this product. If you do not understand the warnings and instructions in the operator's manual, do not use this product.

SAVE THIS MANUAL FOR FUTURE REFERENCE

Cette produit a été conçue et fabriquée conformément aux strictes normes de fiabilité, simplicité d'emploi et sécurité d'utilisation. Correctement entretenu, cet outil vous donnera des années de fonctionnement robuste et sans problème.

⚠ AVERTISSEMENT : Pour réduire les risques de blessures, l'utilisateur doit lire et veiller à bien comprendre le manuel d'utilisation avant d'employer ce produit.

Merci de votre achat.

Su producto ha sido diseñado y fabricado de conformidad con nuestras estrictas normas para brindar fiabilidad, facilidad de uso y seguridad para el operador. Con el debido cuidado, le brindará muchos años de sólido funcionamiento y sin problemas.

⚠ ADVERTENCIA: Para reducir el riesgo de lesiones, el usuario debe leer y comprender el manual del operador antes de usar este producto.

Le agradecemos su compra.

**CONSERVER CE MANUEL POUR
FUTURE RÉFÉRENCE**

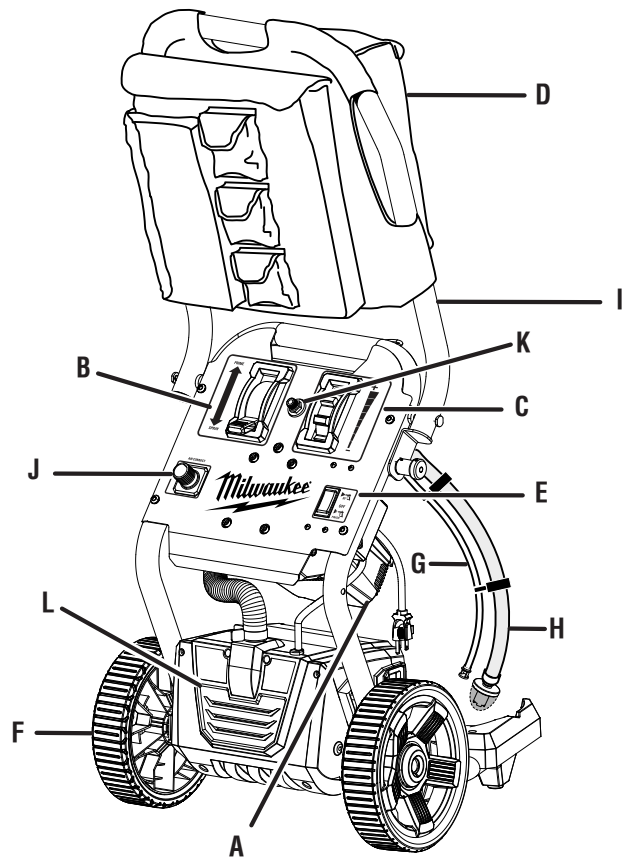
**GUARDE ESTE MANUAL PARA
FUTURAS CONSULTAS**

See this fold-out section for all the figures referenced in the operator's manual.

Voir que cette section d'encart pour toutes les figures a adressé dans le manuel d'utilisation.

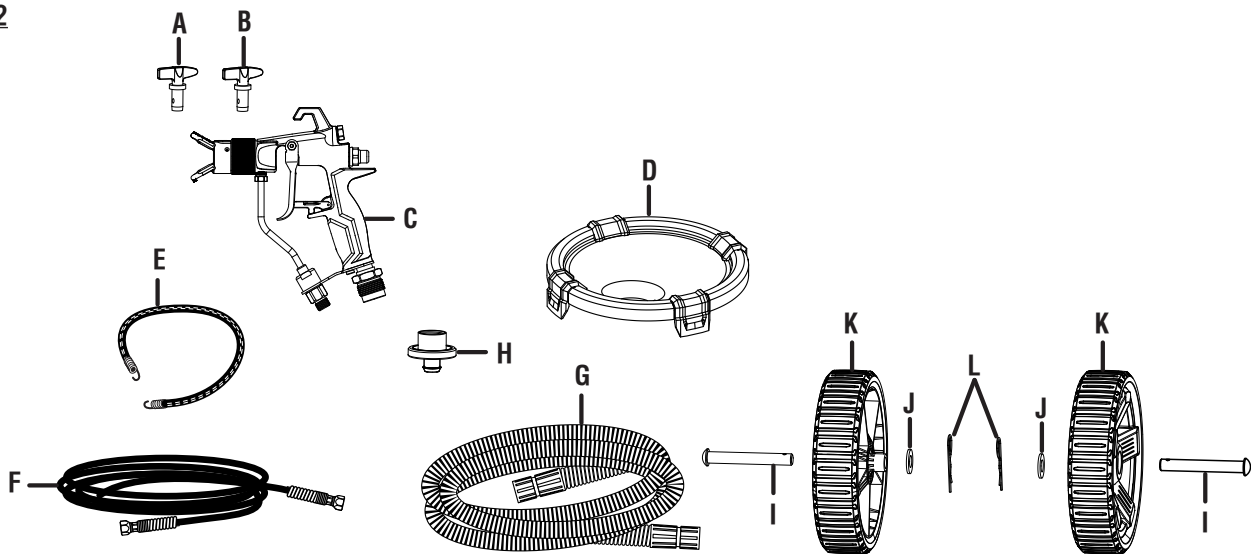
Vea esta sección de la página desplegable para todas las figuras mencionó en el manual del operador.

Fig. 1



- A - Pump (pompe, bomba)
- B - Prime/spray selector [sélecteur « prime/spray » (amorçage/pulvérisation), selector de cebado/rociado]
- C - Variable pressure control [Régulateur de pression « HIGH/LOW » (élevée/faible), control de presión ALTA/BAJA]
- D - Removable accessory storage bag (sac de rangement amovible pour accessoires, bolsa de almacenamiento de accesorios desmontable)
- E - HI/OFF/FINISH switch (Sélecteur « élevé/arrêt/finition », Interruptor Alto/Apagado/Acabado)
- F - Wheels (roues, ruedas)
- G - Return tube (tube de retour, tubo de retorno)
- H - Intake tube (tube d'admission, tubo de entrada)
- I - Folding handle (poignée repliable, mango plegable)
- J - Air connect outlet (raccord d'admission d'air, toma de corriente de la conexión de aire)
- K - Paint connect outlet (raccord d'admission de la peinture, toma de corriente de la conexión de la pintura)
- L - 2-stage turbine (turbine à deux phases, turbina de 2 etapas)

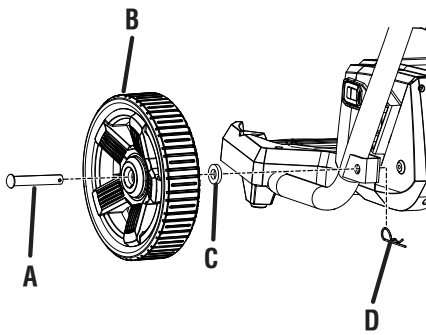
Fig. 2



- A - 310 Reversible spray tip (embout de pulvérisation réversible 310, punta de rociado invertible 310)
- B - 619 Reversible spray tip (embout de pulvérisation réversible 619, punta de rociado invertible 619)
- C - Pistol-grip sprayer with nozzle tip guard (pistolet de pulvérisation avec protecteur d'embout, rociador con empuñadura de pistola con protección para la punta de la boquilla)
- D - 5 Gallon paint container lid [station de peinture avec réservoir de peinture de 19 l (5 gal) et couvercle, estación de pintura con contenedor de 19 l (5 gal.) y tapa]
- E - Elastic strap (courroie élastique, correa elástica)

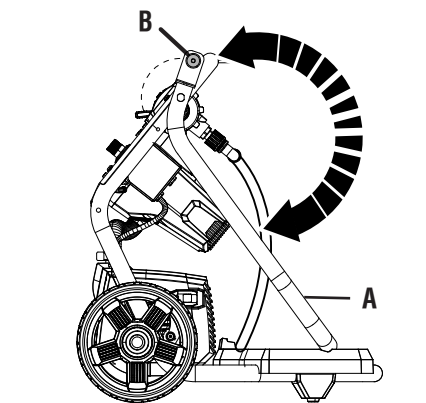
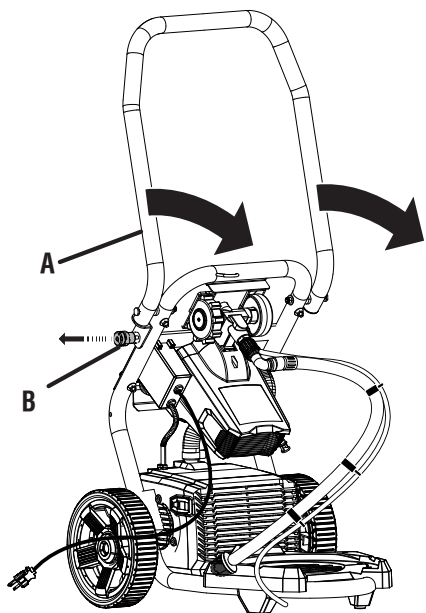
- F - 25 Ft. grounded type high pressure fluid hose [tuyau flexible haute pression mis à la terre de 7,62 m (25 pi), manguera de alta presión con conexión a tierra de 7,62 m (25 pi)]
- G - 25 ft. air hose [tuyau flexible de la soufflante de 7,62 m (25 pi), tubos de pintura de 7,62 m (25 pi)]
- H - Garden hose attachment (accessoire du boyau d'arrosage, accesorio para manguera de jardín)
- I - Axle (essieu, eje)
- J - Washer (rondelle, arandela)
- K - Wheel (roue, rueda)
- L - Hitch pin (goupille de sûreté, pasador del enganche)

Fig. 3



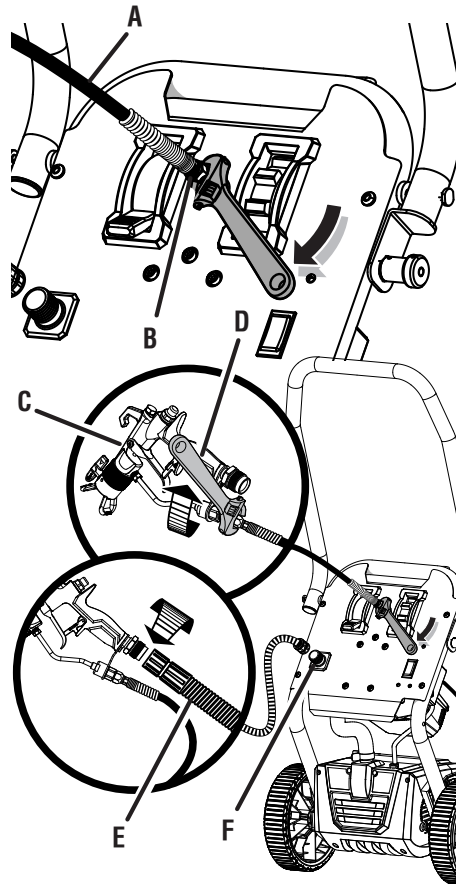
- A - Axle (essieu, eje)
- B - Wheel (roue, rueda)
- C - Washer (rondelle, arandela)
- D - Hitch pin (goupille de sûreté, pasador del enganche)

Fig. 4



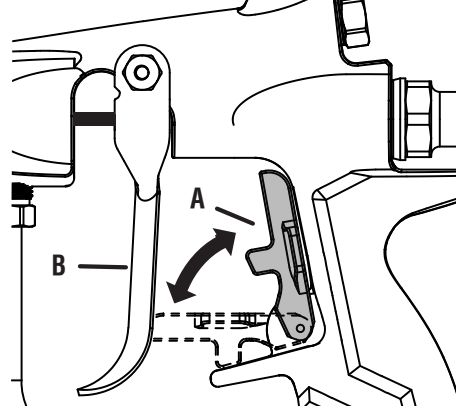
- A - Handle (poignée, mango)
- B - Handle knob (bouton de poignée, perilla de la barra del mango)

Fig. 5



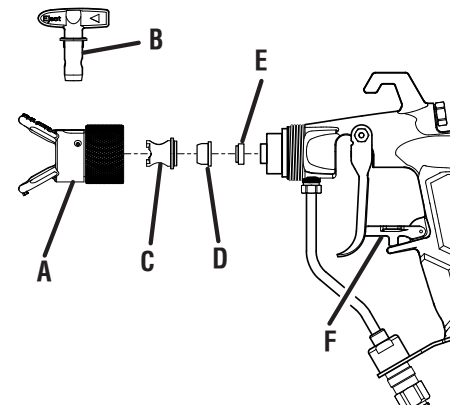
- A - High pressure hose (tuyau flexible pression, manguera de alta presión con conexión)
- B - Paint connect outlet (raccord d'admission de la peinture, toma de corriente de la conexión de la pintura)
- C - Pistol-grip sprayer (pistolet de pulvérisation, rociador con empuñadura de pistola)
- D - Adjustable wrench (clé à ouverture réglable, llave ajustable)
- E - Air hose (tuyau flexible de la soufflante, tubos de pintura)
- F - Air connect outlet (raccord d'admission d'air, toma de corriente de la conexión de aire)

Fig. 6



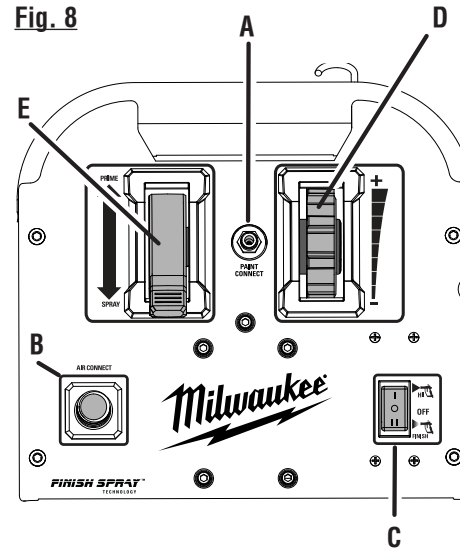
- A - Lock-off lever (levier de blocage de la gâchette, palanca de seguro de apagado)
- B - Trigger (gâchette, gatillo)

Fig. 7



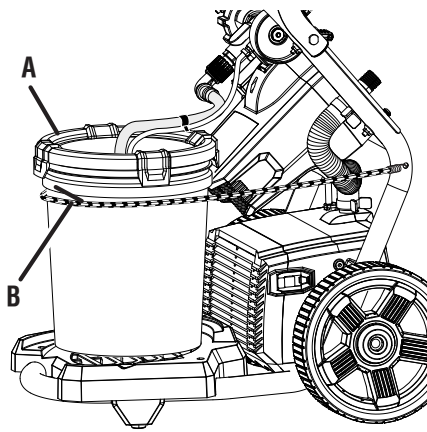
- A - Nozzle tip guard (protecteur d'embout, protección para la punta de la boquilla)
- B - Reversible spray tip (embout de pulvérisation réversible, punta de rociado invertible)
- C - Nozzle sleeve (manche de la buse, casquillo de boquilla)
- D - Saddle (selle de renforcement, carro portaherramientas)
- E - Rubber seal (rondelles de caoutchouc, arandela de goma)
- F - Lock-off lever (levier de blocage de la gâchette, palanca de seguro de apagado)

Fig. 8



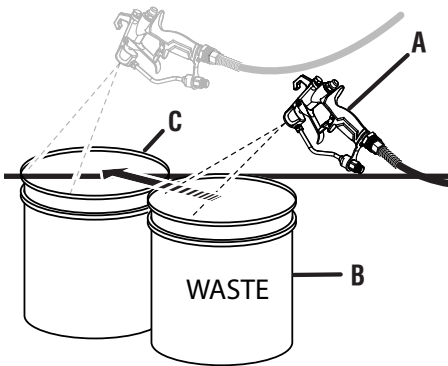
- A - Paint connect outlet (raccord d'admission de la peinture, toma de corriente de la conexión de la pintura)
- B - Air connect outlet (raccord d'admission d'air, toma de corriente de la conexión de aire)
- C - HI/OFF/FINISH switch (sélecteur «élevé/arrêt/ finition », interruptor Alto/Apagado/Acabado)
- D - Variable pressure control (régulateur de pression, control de la presión variable)
- E - PRIME/SPRAY lever (levier « PRIME/SPRAY » (amorçage/pulvérisation), palanca de cebado/rociado)

Fig. 9



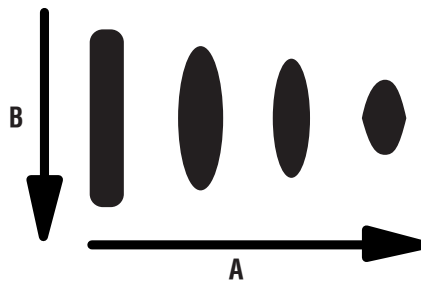
- A - 5 Gallon paint container lid [réservoir de peinture de 13,25 l (3,5 gal), estación de pintura con contenedor de 13,25 l (3,5 gal.)]
- B - Elastic strap (courroie élastique, correa elástica)

Fig. 10



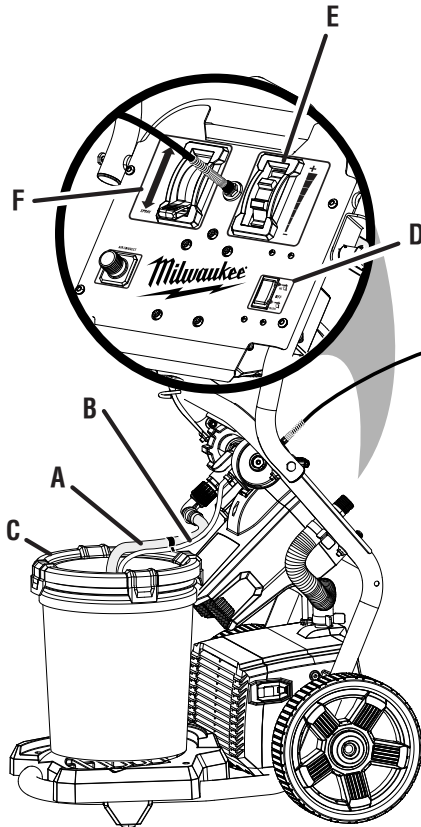
- A - Pistol-grip sprayer (pistolet de pulvérisation, rociador con empuñadura de pistola)
- B - Waste container (contenant à déchets, contenedor de desechos)
- C - Paint container (contenant de peinture, contenedor de pintura)

Fig. 11



- A - Orifice size increases (la taille d'orifice augmente, el tamaño del orificio aumenta)
- B - Fan width decreases (la largeur de ventilateur diminue anchura del ventilador disminuye)

Fig. 12



- A - Intake tube (tube d'admission, tubo de entrada)
- B - Return tube (tube de retour, tubo de retorno)
- C - 5 Gallon paint container lid [station de peinture avec réservoir de peinture de 19 l (5 gal) et couvercle, estación de pintura con contenedor de 19 l (5 gal.) y tapa]
- D - HI/OFF/FINISH switch (sélecteur «élevé/arrêt/ finition », interruptor Alto/Apagado/Acabado)
- E - Variable pressure control (régulateur de pression, control de la presión variable)
- F - PRIME/SPRAY lever (levier « prime/spray » (amorçage/pulvérisation) palanca de cebado/rociado)

Fig. 13

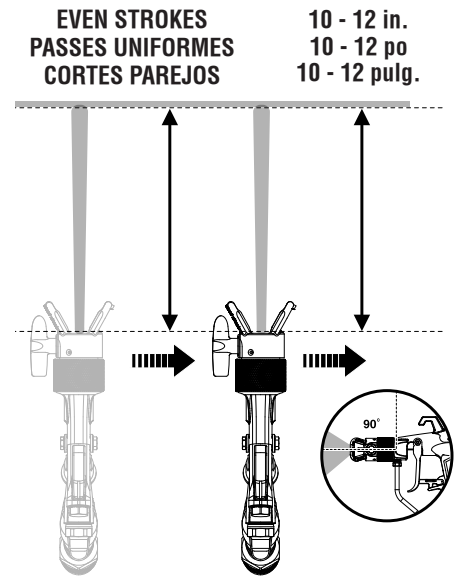


Fig. 14

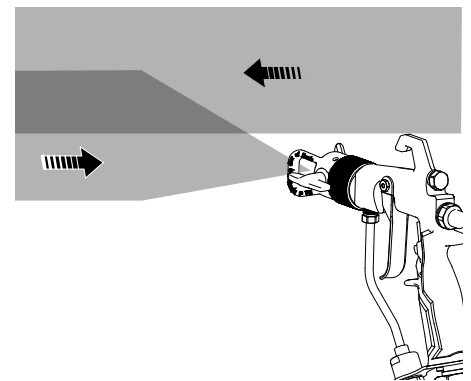
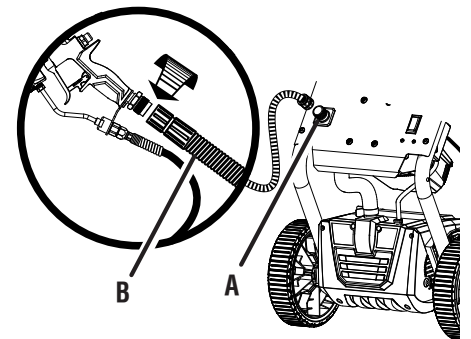
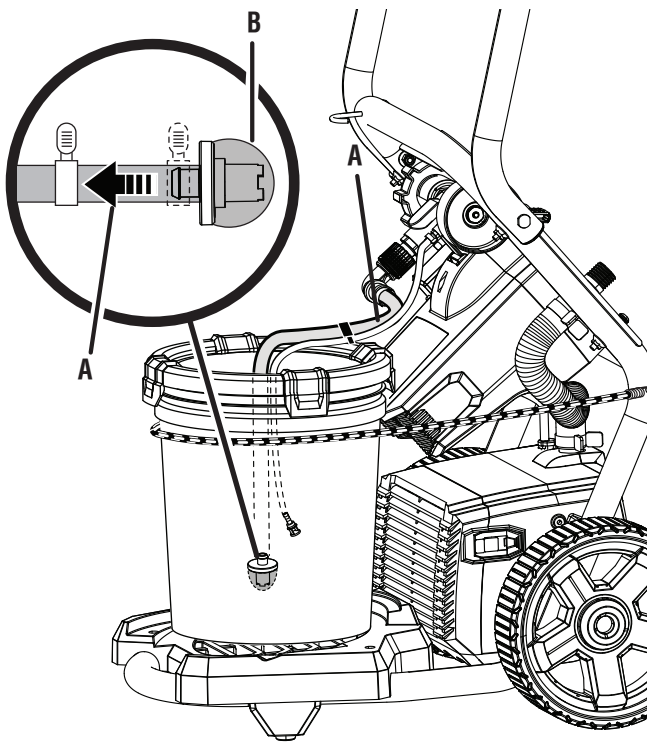


Fig. 15



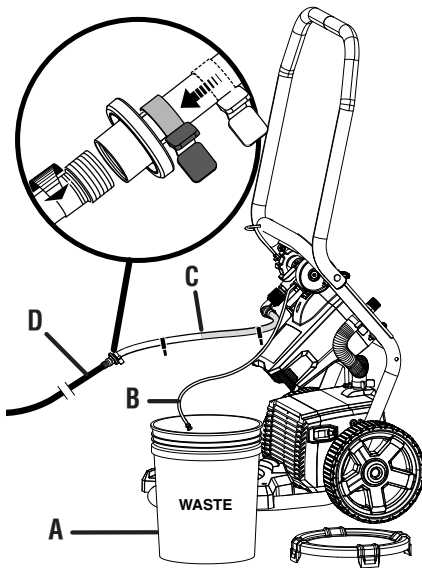
- A - Air connect outlet (raccord d'admission d'air, toma de corriente de la conexión de aire)
- B - Air hose (tuyau flexible de la soufflante, tubos de pintura)

Fig. 16



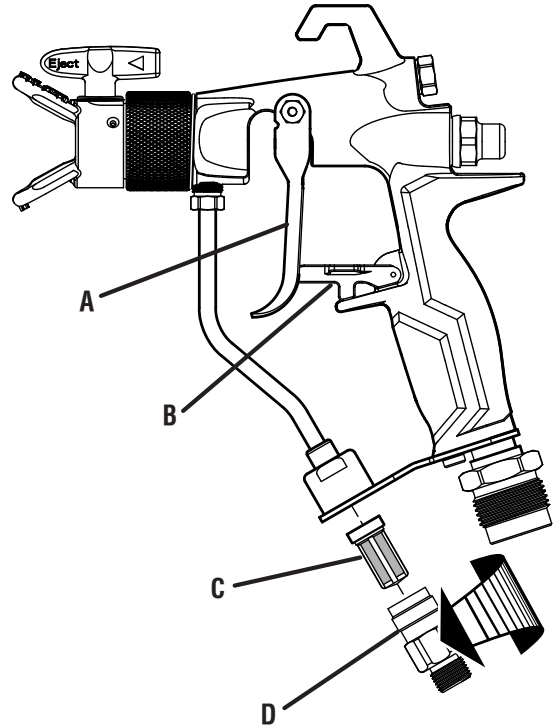
- A - Intake tube (tube d'admission, tubo de entrada)
B - Filter (filtre, filtro)

Fig. 17



- A - Waste container (contenant à déchets, contenedor de desechos)
B - Return tube (tube de retour, tubo de retorno)
C - Intake tube ((tube d'admission, tubo de entrada))
D - Garden hose (tuyau d'arrosage, manguera de jardín)

Fig. 18



- A - Trigger (gâchette, gatillo)
B - Lock-off lever (levier de blocage de la gâchette, palanca de seguro de apagado)
C - Filter (filtre, filtro)
D - Nut (écrou, tuerca)

TABLE OF CONTENTS

■ Introduction	2
■ Warranty	2
■ Important Safety Instructions	3
■ Specific Safety Rules.....	4
■ Symbols.....	5
■ Electrical	6
■ Features.....	7
■ Assembly	8-9
■ Operation.....	9-12
■ Maintenance.....	13
■ Troubleshooting.....	13-15
■ Parts Ordering / Service	Back page

INTRODUCTION

This product has many features for making its use more pleasant and enjoyable. Safety, performance, and dependability have been given top priority in the design of this product making it easy to maintain and operate.

WARRANTY

AIRLESS PAINT SPRAYER TWO YEAR LIMITED WARRANTY

Your MILWAUKEE airless paint sprayer is warranted to the original purchaser only to be free from defects in material and workmanship. Subject to certain exceptions, MILWAUKEE will repair or replace any part on your MILWAUKEE airless paint sprayer which is defective in material or workmanship for a period of two (2) years after the date of purchase. Return of the product and a copy of proof of purchase to a service center authorized to service MILWAUKEE airless paint sprayers (a "MILWAUKEE Authorized Airless Paint Sprayer Service Center") freight prepaid and insured, are required for this warranty to be effective. This warranty does not apply to damage from repairs made or attempted by anyone other than an Authorized Airless Paint Sprayer Service Center, misuse, alterations, abuse, normal wear and tear, lack of maintenance, or accidents.

Warranty Registration is not necessary to obtain the applicable warranty on a MILWAUKEE airless paint sprayer. However, proof of purchase in the form of a sales receipt or other information deemed sufficient by MILWAUKEE, is required. The manufacturing date of the product will be used to determine the warranty period if no proof of purchase is provided at the time warranty service is requested.

ACCEPTANCE OF THE EXCLUSIVE REPAIR AND REPLACEMENT REMEDIES DESCRIBED HEREIN IS A CONDITION OF THE CONTRACT FOR THE PURCHASE OF EVERY MILWAUKEE PRODUCT. IF YOU DO NOT AGREE TO THIS CONDITION, YOU SHOULD NOT PURCHASE THE PRODUCT. IN NO EVENT SHALL MILWAUKEE BE LIABLE FOR ANY INCIDENTAL, SPECIAL, CONSEQUENTIAL OR PUNITIVE DAMAGES, OR FOR ANY COSTS, ATTORNEY FEES, EXPENSES, LOSSES OR DELAYS ALLEGED TO BE AS A CONSEQUENCE OF ANY DAMAGE TO, FAILURE OF, OR DEFECT IN ANY PRODUCT INCLUDING, BUT NOT LIMITED TO, ANY CLAIMS FOR LOSS OF PROFITS. SOME STATES DO NOT ALLOW THE EXCLUSION OR LIMITATION OF INCIDENTAL OR CONSEQUENTIAL DAMAGES, SO THE ABOVE LIMITATION OR EXCLUSION MAY NOT APPLY TO YOU. THIS WARRANTY IS EXCLUSIVE AND IN LIEU OF ALL OTHER EXPRESS WARRANTIES, WRITTEN OR ORAL. TO THE EXTENT PERMITTED BY LAW, MILWAUKEE DISCLAIMS ANY IMPLIED WARRANTIES, INCLUDING WITHOUT LIMITATION ANY IMPLIED WARRANTY OF MERCHANTABILITY OR FITNESS FOR A PARTICULAR USE OR PURPOSE; TO THE EXTENT SUCH DISCLAIMER IS NOT PERMITTED BY LAW, SUCH IMPLIED WARRANTIES ARE LIMITED TO THE DURATION OF THE APPLICABLE EXPRESS WARRANTY AS DESCRIBED ABOVE. SOME STATES DO NOT ALLOW LIMITATIONS ON HOW LONG AN IMPLIED WARRANTY LASTS, SO THE ABOVE LIMITATION MAY NOT APPLY TO YOU. THIS WARRANTY GIVES YOU SPECIFIC LEGAL RIGHTS, AND YOU MAY ALSO HAVE OTHER RIGHTS WHICH VARY FROM STATE TO STATE.

This warranty applies to product sold in the U.S.A., Canada and Mexico only.

TO GET SERVICE: Return your MILWAUKEE Airless Paint Sprayer, properly packaged and postage prepaid, to a MILWAUKEE Authorized Airless Paint Sprayer Service Center for warranty or non-warranty service. To obtain the location of the nearest MILWAUKEE Authorized Airless Paint Sprayer Service Center, call 1-877-203-0880 or consult the Airless Paint Sprayer category of MILWAUKEE's website at www.milwaukeetool.com.

IMPORTANT SAFETY INSTRUCTIONS

WARNING:

SAVE THESE INSTRUCTIONS. To reduce the risks of fire or explosion, electric shock, and the injury to persons, read and understand all instructions included in this manual. Be familiar with the controls and the proper usage of the equipment.

READ ALL INSTRUCTIONS

- **KNOW YOUR POWER TOOL.** Read the operator's manual carefully. Learn the machine's applications and limitations as well as the specific potential hazards related to this tool.

WARNING: To reduce the risk of fire or explosion:

- Do not spray flammable or combustible materials near an open flame or sources of ignition such as cigarettes, motors, and electrical equipment.
- For units intended for use with only water-based or mineral spirit-type materials with a minimum flash point of 140°F (60°C), do not spray or clean with liquids having a flash point less than 140°F (60°C).
- Paint or solvent flowing through the equipment is able to result in static electricity. Static electricity creates a risk of fire or explosion in the presence of paint or solvent fumes. All parts of the spray system, including the pump, hose assembly, pistol-grip sprayer, and objects in and around the spray area shall be properly grounded to protect against static discharge and sparks.
- Use only conductive or grounded high-pressure airless paint sprayer hoses specified by the manufacturer.
- Verify that all containers and collection systems are grounded to prevent static discharge.
- Connect to a grounded outlet and use grounded extension cords. Do not use a 3 to 2 adapter.
- Do not use a paint or a solvent containing halogenated hydrocarbons.
- Keep spray area well ventilated. Keep a good supply of fresh air moving through the area. Keep pump assembly in a well ventilated area.
- Do not smoke in the spray area.
- Do not operate light switches, engines, or similar spark producing products in the spray area.
- Keep area clean and free of paint or solvent containers, rags, and other flammable materials.
- Know the contents of the paints and solvents being sprayed. Read all Material Safety Data Sheets (MSDS) and container labels provided with the paints and solvents. Follow the paint and solvent manufacturer's safety instructions.
- Fire extinguisher equipment shall be present and working.

WARNING: To reduce the risk of skin injection:

- Do not aim the nozzle at, or spray any person or animal.
- Keep hands and other body parts away from the discharge. For example, do not try to stop leaks with any part of the body.
- Always use the nozzle tip guard. Do not spray without nozzle tip guard in place.
- Only use a spray tip specified by the manufacturer.
- Use caution when cleaning and changing spray tips. In the case where the spray tip clogs while spraying, follow the manufacturer's instructions for turning off the unit and relieving the pressure before removing the spray tip to clean.
- Do not leave the unit energized or under pressure while unattended. When the unit is not in use, turn off the unit and relieve the pressure in accordance with the manufacturer's instructions.
- High pressure spray is able to inject toxins into the body and cause serious bodily injury. In the event that injection occurs, seek medical attention immediately.
- Check hoses and parts for signs of damage. Replace any damaged hoses or parts.
- This system is capable of producing 3000 psi. Only use replacement parts or accessories that are specified by the manufacturer and are rated a minimum of 3200 psi.
- Always engage the trigger lock when not spraying. Verify the trigger lock is functioning properly.
- Verify that all connections are secure before operating the unit.
- Know how to stop the unit and bleed pressure quickly. Be thoroughly familiar with the controls.
- For household use only.

WARNING: To reduce the risk of injury:




- Always wear appropriate gloves, eye protection marked to comply with ANSI Z87.1, and a respirator or mask when painting.
- Do not operate or spray near children. Keep children away from equipment at all times.
- Do not overreach or stand on an unstable support. Keep effective footing and balance at all times.
- Stay alert and watch what you are doing.
- Do not operate the unit when fatigued or under the influence of drugs or alcohol.
- Do not kink or overbend the hose.
- Do not expose the hoses to temperatures or to pressures in excess of those specified by the manufacturer.
- Do not use the hose as a strength member to pull or lift the equipment.

SPECIFIC SAFETY RULES






- **Keep guards in place and in working order.** Never operate the tool with any guard or cover removed. Make sure all guards are operating properly before each use.
- **To reduce the risk of injury,** keep children and visitors away. All visitors should wear safety glasses and be kept a safe distance from work area.
- **Keep the area of operation clear of all persons,** particularly small children, and pets.
- **Use right tool.** Don't force tool or attachment to do a job it was not designed for. Don't use it for a purpose not intended.
- **Do not operate the equipment while barefoot or when wearing sandals or similar lightweight footwear.** Wear protective footwear that will protect your feet and improve your footing on slippery surfaces.
- **Exercise caution to avoid slipping or falling.**
- **Always wear eye protection with side shields marked to comply with ANSI Z87.1.** Failure to do so could result in fluids entering your eyes resulting in possible serious injury.
- **Use only recommended accessories.** The use of improper accessories may cause risk of injury.
- **Follow the maintenance instructions specified in this manual.**
- **Check damaged parts.** Before further use of the tool, a guard or other part that is damaged should be carefully checked to determine that it will operate properly and perform its intended function. Check for alignment of moving parts, binding of moving parts, breakage of parts, mounting, and any other conditions that may affect its operation. A guard or other part that is damaged must be properly repaired or replaced by an authorized service center to avoid risk of personal injury.
- **Never leave tool running unattended.** Turn power off. Don't leave tool until it comes to a complete stop.
- **Follow manufacturer's recommendations for safe loading, unloading, transport, and storage of machine.**
- **Be thoroughly familiar with controls.** Know how to stop the product and bleed pressure quickly.
- **Keep tool dry, clean, and free from oil and grease.** Always use a clean cloth when cleaning. Never use brake fluids, gasoline, petroleum-based products, or any solvents to clean tool.
- **Do not use tool if switch does not turn it off.** Have defective switches replaced by an authorized service center.
- **Before cleaning, repairing, or inspecting,** shut off the motor, release pressure, and make certain all moving parts have stopped.
- **Avoid dangerous environment.** Don't use in damp or wet locations or expose to rain. Keep work area well lit.
- **Never direct a paint stream toward people or pets, or any electrical device.**
- **Never start the machine** if ice has formed in any part of the equipment.
- **WARNING: High pressure spray can be dangerous if subject to misuse.** The spray must not be directed at persons, animals, electrical devices, or the machine itself.
- **Keep away from hot parts.**
- **Check bolts and nuts** for looseness before each use. A loose bolt or nut may cause serious motor problems.
- **Before storing, allow the product to cool.**
- **Store in a cool, well-ventilated area,** safely away from spark and/or flame-producing equipment.
- **When servicing use only identical replacement parts.** Use of any other parts may create a hazard or cause product damage.
- **Never use the sprayer without a spray tip installed.**
- **An injection injury can lead to possible amputation.** See a physician immediately.
- **Never put your hand in front of the spray tip when in use.** Gloves will not always provide protection against an injection injury.
- **Wear protective clothing to keep paint off skin and hair, along with a mask or respirator during use.** Paints, solvents, and other materials can be harmful if inhaled or if they come into contact with the body.
- **Always unplug the paint sprayer, shut the unit off and release pressure before servicing, cleaning the tip or guard, changing the tip, or leaving unattended.**
- **Plastic can cause sparks. Never hang plastic to enclose a spray area.** Do not use plastic drop cloths when spraying flammable materials.
- **Do not spray outdoors on windy days.**
- **Do not attempt to clean or unclog the spray tip with your finger.**
- **Make sure your extension cord is in good condition.** When using an extension cord, be sure to use one heavy enough to carry the current your product will draw. A wire gauge size (A.W.G.) of at least **12** is recommended for an extension cord 50 feet or less in length. A cord exceeding 100 feet is not recommended. If in doubt, use the next heavier gauge. The smaller the gauge number, the heavier the cord. An undersized cord will cause a drop in line voltage resulting in loss of power and overheating.
- **Save these instructions.** Refer to them frequently and use them to instruct other users. If you loan someone this tool, loan them these instructions also.

SYMBOLS

The following signal words and meanings are intended to explain the levels of risk associated with this product.

SYMBOL	SIGNAL	MEANING
	DANGER:	Indicates an imminently hazardous situation, which, if not avoided, will result in death or serious injury.
	WARNING:	Indicates a potentially hazardous situation, which, if not avoided, could result in death or serious injury.
	CAUTION:	Indicates a potentially hazardous situation, which, if not avoided, may result in minor or moderate injury.
	CAUTION:	(Without Safety Alert Symbol) Indicates a situation that may result in property damage.

Some of the following symbols may be used on this product. Please study them and learn their meaning. Proper interpretation of these symbols will allow you to operate the product better and safer.

SYMBOL	NAME	DESIGNATION/EXPLANATION
	Safety Alert	Indicates a potential personal injury hazard.
	Read The Operator's Manual	To reduce the risk of injury, user must read and understand operator's manual before using this product.
	Eye Protection	Always wear eye protection with side shields marked to comply with ANSI Z87.1.
	Risk of Injection	To reduce the risk of injection or injury, never direct a fluid stream towards people or pets or place any body part in the stream. Leaking hoses and fittings are also capable of causing injection injury. Do not hold hoses or fittings.
V	Volts	Voltage
PSI	Pounds Per Square Inch	Fluid Pressure
GPM	Gallons Per Minute	Amount fluid used per minute of continuous use.
A	Amperes	Current
Hz	Hertz	Frequency (cycles per second)
min	Minutes	Time
~	Alternating Current	Type of current
n_0	No Load Speed	Rotational speed, at no load
	Class II Tool	Double-insulated construction
.../min	Per Minute	Revolutions, strokes, surface speed, orbits etc., per minute

ELECTRICAL

EXTENSION CORDS

Use only 3-wire extension cords that have 3-prong grounding plugs and 3-pole receptacles that accept the product's plug. When using a power tool at a considerable distance from the power source, use an extension cord heavy enough to carry the current that the product will draw. An undersized extension cord will cause a drop in line voltage, resulting in a loss of power and causing the motor to overheat. Use the chart provided below to determine the minimum wire size required in an extension cord. Only round jacketed cords listed by Underwriter's Laboratories (UL) should be used.

**Ampere rating (on product data plate)

0-2.0 2.1-3.4 3.5-5.0 5.1-7.0 7.1-12.0 12.1-16.0

Cord Length	Wire Size (A.W.G.)					
	0-2.0	2.1-3.4	3.5-5.0	5.1-7.0	7.1-12.0	12.1-16.0
25'	16	16	16	16	14	14
50'	16	16	16	14	14	12
100'	16	16	14	12	10	—

**Used on 12 gauge - 20 amp circuit.

NOTE: AWG = American Wire Gauge

When working with the product outdoors, use an extension cord that is designed for outside use. This is indicated by the letters "W-A" or "W" on the cord's jacket.

Before using an extension cord, inspect it for loose or exposed wires and cut or worn insulation.

WARNING:

Keep the extension cord clear of the working area. Position the cord so that it will not get caught on lumber, tools, or other obstructions while you are working with a power tool. Failure to do so can result in serious personal injury.

WARNING:

Check extension cords before each use. If damaged replace immediately. Never use the product with a damaged cord since touching the damaged area could cause electrical shock resulting in serious injury.

ELECTRICAL CONNECTION

This product is powered by a precision-built electric motor. It should be connected to a power supply that is **120V, AC only (normal household current), 60 Hz**. Do not operate this product on direct current (DC). A substantial voltage drop will cause a loss of power and the motor will overheat. If the product does not operate when plugged into an outlet, double check the power supply.

GROUNDING INSTRUCTIONS

This product must be grounded. In the event of a malfunction or breakdown, grounding provides a path of least resistance for electric current to reduce the risk of electric shock. This product is equipped with an electric cord having an equipment-grounding conductor and a grounding plug. The plug must be plugged into a matching outlet that is properly installed and grounded in accordance with all local codes and ordinances.

Do not modify the plug provided. If it will not fit the outlet, have the proper outlet installed by a qualified electrician.

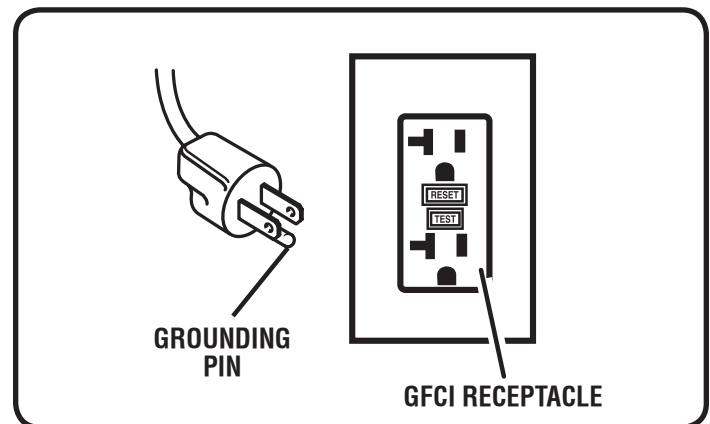
WARNING:

Improper connection of the grounding plug can result in a risk of electric shock. When repair or replacement of the cord is required, do not connect the grounding wire to either flat blade terminal. The wire with insulation having an outer surface that is green with or without yellow stripes is the grounding wire.

Check with a qualified electrician or service personnel if the grounding instructions are not completely understood, or if in doubt as to whether the product is properly grounded.

Repair or replace a damaged or worn cord immediately.

This product is for use on a nominal 120 V circuit and has a grounding plug similar to the plug illustrated below. Only connect the product to an outlet having the same configuration as the plug. Do not use an adapter with this product.



FEATURES

PRODUCT SPECIFICATIONS

Flow Rate 0.31 GPM
Fluid Pressure..... 800-3,000 PSI
Air Pressure 5-8 PSI

Input 120 V, AC only, 60 Hz, 15 Amps
Weight 41 lbs.

KNOW YOUR AIRLESS PAINT SPRAYER

See Figure 1.

The safe use of this product requires an understanding of the information on the product and in this operator's manual as well as a knowledge of the project you are attempting. Before use of this product, familiarize yourself with all operating features and safety rules.

3000 PSI PISTON PUMP

Maintains pressure as needed for different applications.

25 FT. HIGH PRESSURE HOSE

The 25 ft. high pressure hose allows the user to spray a larger area without moving the paint sprayer.

AIRLESS SPRAYING MODE

The pressurized fluid moving through the spray nozzle will be atomized as it is sprayed.

BUCKET TRAY

Compatible with up to a 5-gallon container.

CONTROL PANEL

Single interface with all controls conveniently located.

DUAL-ACTION™ PISTOL-GRIP SPRAYER

The DUAL-ACTION™ pistol-grip sprayer easily switches between airless and fine finish applications.

ELASTIC STRAP

Helps to secure the paint bucket to the body of the sprayer.

FINISH SPRAY TECHNOLOGY

The two-stage turbine delivers high volume, low pressure (HVLP) spray for fine finish applications.

FOLDING HANDLE

The handle folds down for convenient storage.

INTAKE FILTER

The intake filter keeps debris from entering the paint system.

ON-BOARD ACCESSORY STORAGE

The removable storage bag provides convenient storage for the pistol-grip sprayer, spray tips, hose adaptor, high pressure hose, and other accessories.

VARIABLE PRESSURE CONTROL

- Lower pressure is for priming, cleaning, and for thinner materials and finish spraying.
- Higher pressure is ideal for latex and airless spraying applications.

PRIME/SPRAY SELECTOR

Allows you to switch from PRIME mode to SPRAY mode.

REVERSIBLE SPRAY TIPS

The unit includes two reversible spray tips that clear paint clogs quickly.

ASSEMBLY

UNPACKING

This product requires assembly.

- Carefully lift the product from the carton and place on a level work surface.

WARNING:

Do not use this product if any parts on the Loose Parts List are already assembled to your product when you unpack it. Parts on this list are not assembled to the product by the manufacturer and require customer installation. Use of a product that may have been improperly assembled could result in serious personal injury.

- Inspect the tool carefully to make sure no breakage or damage occurred during shipping.
- Do not discard the packing material until you have carefully inspected and satisfactorily operated the tool.
- If any parts are damaged or missing, please call 1-877-203-0880 for assistance.

LOOSE PARTS LIST

See Figure 2.

Description	Qty.
5 Gallon container lid	1
DUAL-ACTION™ pistol-grip sprayer with	
Nozzle tip guard	1
Wheel	2
Axle.....	2
Washer	2
Hitch pin	2
25 Ft. air hose.....	1
25 Ft. high pressure hose.....	1
310 Reversible spray tip.....	1
619 Reversible spray tip.....	1
Garden hose attachment.....	1
Elastic strap.....	1
Operator's manual (not shown)	1

WARNING:

If any parts are damaged or missing do not operate this tool until the parts are replaced. Use of this product with damaged or missing parts could result in serious personal injury.

WARNING:

Do not attempt to modify this tool or create accessories not recommended for use with this tool. Any such alteration or modification is misuse and could result in a hazardous condition leading to possible serious personal injury.

WARNING:

Do not connect to power supply until assembly is complete. Failure to comply could result in accidental starting and possible serious personal injury.

TOOLS NEEDED

Adjustable wrench

INSTALLING THE WHEELS

See Figure 3.

To attach the wheels to the base:

- Locate the axle.
- Slip the axle through the wheel hole. Slide washer onto axle.
- Lifting the paint sprayer slightly, slide the axle, wheel, and washer into the wheel mounting hole in the machine base.
- Push the hitch pin into the hole on the end of the axle to secure assembly.
- Repeat with the second wheel assembly.

FOLDING THE HANDLE

See Figure 4.

- **To raise the handle:** pull the handle up until the handle release knob snaps through the locking hole to secure the handle in place.
- **To lower the handle (for storing):** pull the handle release knob on the right side of handle and lower.

WARNING:

Never use the handle to lift the paint sprayer. Failure to heed this warning could result in serious personal injury.

CONNECTING HIGH PRESSURE HOSE/ DUAL-ACTION™ PISTOL-GRIP SPRAYER

See Figure 5.

To connect the high pressure hose to the paint sprayer:

- Screw the collar of the high pressure hose onto the paint connect outlet located on the control panel.
- Tighten securely with an adjustable wrench.

To connect the DUAL-ACTION™ pistol-grip sprayer to the high pressure hose:

- Screw the collar on the high pressure hose onto the pistol-grip sprayer by turning the hose collar clockwise.
- Use an adjustable wrench to turn and tighten the nut on the hose end and tighten securely.

ASSEMBLY

INSTALLING NOZZLE TIP GUARD ON DUAL-ACTION™ PISTOL-GRIP SPRAYER

See Figures 6 - 7.

See operator's instructions for flushing, priming, and cleaning **before** installing a spray tip. Note all warnings regarding use of DUAL-ACTION™ pistol-grip sprayer and the possibility of injection.

- Push the lock-off lever down to lock the sprayer trigger.
- Unscrew the nozzle tip guard.
NOTE: Small parts inside the tip guard can be easily dropped and misplaced. Always remove the nozzle tip guard carefully.
- Insert tip sleeve into the nozzle tip guard while aligning the holes.

- Insert the desired reversible spray tip into the nozzle tip guard, locking the sleeve into place.
- Insert metal saddle into the nozzle tip guard. The metal saddle should be securely seated on the reversible spray tip.
- Insert the rubber seal ridged side down onto the saddle in the nozzle tip guard.
- Thread nozzle tip guard assembly onto sprayer and tighten securely.
- Push spray tip securely into nozzle tip guard.
- Keep the sprayer trigger locked when not in use.

OPERATION

WARNING:

Do not allow familiarity with this product to make you careless. Remember that a careless fraction of a second is sufficient to inflict serious injury.

WARNING:

Always wear eye protection with side shields marked to comply with ANSI Z87.1. Failure to do so could result in fluids entering your eyes resulting in possible serious injury.

WARNING:

Do not use any attachments or accessories not recommended by the manufacturer of this product. The use of attachments or accessories not recommended can result in serious personal injury.

ACCESSORIES

All accessories used with this product must be rated greater than 3200 psi. Ensure compatibility and fit before using any accessory with this product.

WARNING:

Risk of fire or explosion - spray area must be well ventilated and away from spark or flames. Failure to heed this warning could result in serious personal injury.

APPLICATIONS

You may use this product for the purposes listed below:

- Exterior painting and staining of decks, outdoor furniture, fences, siding, and interior/exterior spray-painting of walls, cabinets, and doors.

WARNING:

To reduce the risk of injection NEVER change spray tip without setting the lock-off on the pistol-grip sprayer and NEVER point sprayer at any part of the body, persons, or unit itself. In case of skin injection, seek medical attention immediately. Failure to heed this warning may cause serious personal injury.

LOCKING THE DUAL-ACTION™ PISTOL-GRIP SPRAYER

See Figure 6.

Always lock the sprayer trigger when you have stopped spraying to prevent the sprayer from being bumped or triggered accidentally and causing injection.

- Push the lock-off lever down to lock the sprayer trigger.
- Push the lock-off lever toward the handle to unlock the trigger.

RELEASE PRESSURE PROCEDURE

See Figure 8.

Always follow this procedure when shutting the airless/finish paint sprayer OFF for any reason. This procedure releases pressure in the high pressure hose.

- Push the lock-off lever down to lock the sprayer trigger.
- Turn HI/OFF/FINISH switch OFF.

OPERATION

- Turn PRIME/SPRAY lever to PRIME. This releases pump pressure.
- Push the lock-off lever up to unlock the sprayer trigger and point to inside wall of paint container releasing unused paint or stain back into container. This releases pressure in the hose and pistol-grip sprayer.
- Push the lock-off lever down to lock the sprayer trigger.
- Leave PRIME/SPRAY lever in the PRIME position until ready to spray again.

FLUSHING THE AIRLESS PAINT SPRAYER

Before using the paint sprayer for the first time or before beginning a new project or changing colors, it is important to thoroughly flush the paint sprayer of any storage fluid, previous cleaning fluid, or material left in the system. Follow instructions for **Cleaning the Airless Paint Sprayer** before beginning any project.

SET UP AND PRIMING

See Figures 8 - 10.

User must prime the unit before operating the sprayer. The high pressure fluid hose should already be attached as described in the *Assembly* section of this manual.

- Place desired paint container onto the paint tray.
- Secure container with elastic strap. Place 5 gallon container lid on container.
NOTE: This unit will hold a 5 gallon or 1 gallon paint container.
- Lock the sprayer trigger.
- Remove nozzle tip guard and spray tip from pistol-grip sprayer.
- Place intake tube in paint container.
- Set return tube into a waste container.
- Turn PRIME/SPRAY lever to PRIME.
- Turn variable pressure control to PRIME.
- Plug in the paint sprayer.
- Turn HI/OFF/FINISH switch to HI.
- When clean paint or stain begins to flow through return tube, turn HI/OFF/FINISH switch OFF. set return tube into paint container and clip to intake tube; Turn HI/OFF/FINISH switch to HI.
- Point DUAL-ACTION™ pistol-grip sprayer (without guard and spray tip in place) into waste container.
- Turn PRIME/SPRAY lever to SPRAY.
- Unlock sprayer trigger.
- Spray into waste container until all air, water, and cleaning fluid is expelled and only paint or stain comes out.
NOTE: When the motor stops, this indicates that the pump and hoses are under pressure. If the motor continues to run, re-prime by turning the prime/spray lever to PRIME.
- Lock the sprayer trigger.
- Turn HI/OFF/FINISH switch OFF.

- Replace nozzle tip guard and reversible spray tip onto pistol-grip sprayer.
- Unit is ready to spray.

SELECTING A SPRAY TIP

See Figure 11.

Spray tips come in a variety of hole sizes and fan widths.

Your unit includes two reversible spray tips with a hole size of .010 in. and .019 in. that will work for a wide variety of applications. The 310 spray tip has a fan width of 6-8 in. and is best for fine finish applications. The 619 spray tip has a fan width of 12-14 in. and is best for airless applications.

HOLE SIZE: Spray tip hole size determines the flow rate, which is the amount of paint that is discharged from sprayer.

A larger hole size is best for thicker materials. A smaller hole size is best for thinner materials.

FAN SIZE: Fan width determines the size of the spray pattern when sprayer is held approximately 12 in. from surface to be painted.

A narrow fan width will provide thicker coverage of material and is better suited for small, tight areas. A wide fan width will give thinner coverage of material and provide better coverage on large, broad areas.

SPRAY TIP NUMBERS: When selecting a spray tip, the last three numbers of the spray tip number contain information on hole size and fan width.

For example, if the spray tip number is 1415, the 4, when doubled is the approximate fan width of paint when applied 12 inches from surface. The last two numbers, 15, refer to the hole size in inches. In this case .015 in.

Tip hole size	Coatings				
	Light		Medium		Heavy
	Stains	Enamels	Primers	Interior Paints	Exterior Paints
0.011	•				
0.013	•	•			
0.015		•	•	•	
0.017			•	•	•
0.019			•	•	•
0.021					•

SPRAY TIP WEAR: It is important to replace spray tips when they become worn. A worn spray tip will cause uneven application and finish of material. Over time the spray tip hole size increases and the width of the fan spray decreases.

When using latex paint, spray tips need to be replaced between 15 and 40 gallons of use. For oil based materials, replace spray tips after 35 to 60 gallons of use.

To increase the life of your spray tips, use the lowest pressure setting needed to apply an even coating of material.

OPERATION

WARNING:

This is a high pressure device. To reduce the risk of injury, user must read and understand operator's manual. To reduce the risk of injection do not point sprayer at any part of the body, persons, or unit itself. In case of skin injection, seek medical attention immediately. Failure to heed this may cause serious personal injury.

AIRLESS SPRAYING

See Figure 12.

- Ensure surface to be painted is free of dust, dirt, and grease.
- Mask or cover any areas not intended to be painted or stained. Be aware of wind that may cause your paint or stain to spray into areas not desired. Always use drop cloths or other cover to protect areas that are not intended to be painted or stained.
- Select spray tip and seat securely into nozzle tip guard. Arrow on spray tip should face direction of spray.
- Lock the sprayer trigger.
- Plug in the paint sprayer.
- Prime unit. Follow **Set Up and Priming** instructions.
- Turn HI/OFF/FINISH switch to HI.
- Turn prime/spray lever to SPRAY.
- Turn variable pressure control to HIGH pressure (+). Pressure can be adjusted to reach desired spray pattern and coverage.
- Unlock the sprayer trigger. Begin spraying.
NOTE: If spray tip becomes clogged, lock the sprayer trigger, turn 180°, unlock sprayer trigger and spray into waste container to clear clog. Return spray tip to spray position and continue spraying.
- Lock the sprayer trigger and follow **Release Pressure Procedure** when finished or stopping for any reason.

PAINTING TIPS

See Figures 13 - 14.

- Practice spraying on a piece of scrap material to test your spray pattern before beginning. If you cannot get a good spray pattern, see **Troubleshooting** section.
- To create an even coating over the entire surface:
 - Keep the pistol-grip sprayer an even distance from the area being sprayed, about 12 inches from the nozzle tip guard to the surface being sprayed.
 - Operate the pistol-grip sprayer in straight horizontal strokes. Do not hold the sprayer at an angle. This will result in uneven coverage.
 - Depress the trigger to start the spray at the beginning of the stroke and release the trigger as you end the stroke. To prevent material build-up, do not keep the trigger depressed as you proceed to the next stroke.

- Make one pass for each stroke. Overlap strokes in halves for full coverage.
- When finished, return any unused paint or stain to its original container and thoroughly clean the sprayer.

WARNING:

To reduce the risk of fire or explosion: Do not use with flammable liquids (i.e., paint stripper, paint remover, brush cleaner, mineral spirits, lacquer thinner, turpentine, acetone, gasoline, kerosene, etc.). Use only water (for water-based paints) or Klean Strip® Revolutionary White Formula Paint Thinner (for oil-based paints or varnish).

FINE FINISH SPRAYING

See Figure 15.

In finish spray mode, pressurized air is introduced into the paint stream, resulting in a finer finish.

To use finish spray mode:

- Remove the cover from the air connect outlet on the control panel.
- Attach the 25-ft. air hose to the air connect outlet. **See Connecting High Pressure Hose/DUAL-ACTION™ Pistol-Grip Sprayer.**
- Attach the other end of the air hose to the DUAL-ACTION™ pistol-grip sprayer. **See Connecting High Pressure Hose/DUAL-ACTION™ Pistol-Grip Sprayer.**
- Plug in the paint sprayer.
- Prime unit. Follow **Set Up and Priming** instructions earlier in this manual.
- Turn HI/OFF/FINISH switch to FINISH.
- Turn PRIME/SPRAY lever to SPRAY.
- Turn variable pressure control to the FINISH setting (-). Pressure can be adjusted to reach desired spray pattern and coverage.
- Unlock the sprayer trigger. Begin spraying.
NOTE: If spray tip becomes clogged, lock the sprayer trigger, turn 180°, unlock sprayer trigger, and spray into waste container to clear clog. Return spray tip to spray position and continue spraying.
- Lock DUAL-ACTION™ the sprayer trigger and follow **Release Pressure Procedure** when finished or stopping for any reason.

OVERNIGHT STORAGE (UP TO 12 HOURS)

NOTE: These instructions are for latex paint and water-based materials only. If you are using oil-based material, refer to **Cleaning the Paint Sprayer** and **Long Term Storage** for instructions. Stains and oil-based materials do not keep for any extended period of time.

- Lock DUAL-ACTION™ pistol-grip sprayer and follow **Release Pressure Procedure.**
- Turn HI/OFF/FINISH switch OFF.

OPERATION

- Unplug the paint sprayer.
- Leave intake tube and return tube in paint.
- Gently pour 1/2 cup water over top of paint to prevent drying.
- Place the 5 gallon container lid on the paint container. Wrap damp cloth around tubes and over opening of container.
- Wrap pistol-grip sprayer with damp cloth and place in plastic bag. Seal bag.
- Store for short time out of sunlight. For longer storage, follow instructions for **Cleaning the Paint Sprayer**.

CLEANING THE PAINT SPRAYER

See Figures 16 - 17.

The solution used to clean the sprayer is determined by the type of material that has been sprayed. For anything other than latex material use Klean Strip® Revolutionary White Formula Paint Thinner (for oil-based paints or varnish).

CAUTION:

It is important to thoroughly clean paint sprayer and pistol-grip sprayer after each use or when changing paint color. Allowing paint or stain to remain in an idle tool for an extended period of time can cause its hoses to clog and its moving parts to seize.

- Always use drop cloths or other cover to protect areas from possible spills.
- Lock pistol-grip sprayer and follow **Release Pressure Procedure**.
- Unplug the paint sprayer.
- Remove the spray tip and nozzle tip guard assembly from sprayer.
- Use cleaning brush (not included) to clean material from spray tip holes.
- Soak spray tip(s) and nozzle tip guard in water (for water based paints) or Klean Strip® Revolutionary White Formula Paint Thinner (for oil-based paints or varnish), rinse.
- Fill a bucket (waste container) with water (for water based paints) or Klean Strip® Revolutionary White Formula Paint Thinner (for oil-based paints or varnish).
NOTE: If flushing or cleaning using water for water based materials, It may be easier to use a garden hose and the garden hose attachment (included). Remove filter from intake tube and attach intake tube to garden hose with attachment.
- Place intake tube into the bucket of water (for latex materials) or Klean Strip® Revolutionary White Formula Paint Thinner (for oil-based materials).
- Place return tube into waste container.
- Turn PRIME/SPRAY lever to PRIME.
- Turn variable pressure control to PRIME.
- Turn HI/OFF/FINISH switch to HI.

The paint sprayer will draw cleaning fluid up the intake tube through the pump and out the return tube into the waste container. Allow the cleaning fluid to run through the system until it runs clear.

- Turn prime/spray lever to SPRAY.
- Unlock pistol-grip sprayer.
- Point sprayer at the interior side of waste container to flush out the high-pressure fluid hose and pistol-grip sprayer.
NOTE: If using the garden hose adapter, turn on garden hose and run water through system until water runs clear.
- Leave system running for approximately one minute or until cleaning fluid runs clear.
- Turn prime/spray lever to PRIME.
- Turn HI/OFF/FINISH switch to HI.
- Unplug the paint sprayer.
- Dispose of dirty water (or Klean Strip® Revolutionary White Formula Paint Thinner) in accordance with federal, state, and local ordinances.

CLEANING THE PAINT SPRAYER WITH GARDEN HOSE (FOR LATEX MATERIAL ONLY)

See Figure 17.

- Remove filter from intake tube.
- Attach garden hose adaptor to garden hose.
- Push garden hose adaptor onto the intake tube and secure with butterfly clamp.
- Turn PRIME/SPRAY to PRIME.
- Turn variable pressure control to PRIME.
- Turn on garden hose.
- Turn HI/OFF/FINISH to HI.
- Run water through system until clear water runs out of the return tube.
- Turn PRIME/SPRAY to SPRAY.
- Unlock pistol-grip sprayer.
- With the nozzle tip guard assembly removed, point the pistol-grip sprayer at the interior side of waste container to flush out the high-pressure fluid hose and pistol-grip sprayer.
- Leave the system running until clear water runs out of the pistol-grip sprayer.
- Turn PRIME/SPRAY lever to PRIME.
- Turn HI/OFF/FINISH switch to OFF.
- Unplug the paint sprayer.
- Dispose of dirty water (or Klean Strip® Revolutionary White Formula Paint Thinner) in accordance with federal, state, and local ordinances.

MAINTENANCE

WARNING:

When servicing, use only identical replacement parts. Use of any other parts may create a hazard or cause product damage.

WARNING:

Always wear eye protection with side shields marked to comply with ANSI Z87.1. Failure to do so could result in fluids entering your eyes resulting in possible serious injury.

MAINTENANCE PROCEDURES

Avoid using solvents when cleaning plastic parts. Most plastics are susceptible to damage from various types of commercial solvents and may be damaged by their use. Use clean cloths to remove dirt, dust, oil, grease, etc.

WARNING:

Do not at any time let brake fluids, gasoline, petroleum based products, penetrating oils, etc., come in contact with plastic parts. Chemicals can damage, weaken, or destroy plastic which may result in serious personal injury.

LONG-TERM STORAGE

When storing the paint sprayer for 16 hours or more, a thorough cleaning is recommended.

- Unplug the paint sprayer.
- Shut down the paint sprayer using **Release Pressure Procedure**.

- Thoroughly clean paint sprayer and DUAL-ACTION™ pistol-grip sprayer following the instructions in **Cleaning the Sprayer** earlier in this manual.
- Be sure that machine and tubes are clear of any water or fluid, as these may freeze.
- Store hoses, pistol-grip sprayer, nozzle and tips in the storage bag, if desired.
- Fold handle over front of tool.

CLEANING THE DUAL-ACTION™ PISTOL-GRIP SPRAYER FILTER

- Shut down the paint sprayer using **Release Pressure Procedure**.
- Unplug the paint sprayer.
- Check that pistol-grip sprayer trigger is locked off.
- Remove DUAL-ACTION™ pistol -grip sprayer from high pressure fluid hose using a wrench.
- Using an adjustable wrench (not included), turn the nut on the fluid tube counterclockwise.
- Remove the filter from the double-ended nut, noting direction of filter.
- Thoroughly clean filter container with water (for water based paints) or Klean Strip® Revolutionary White Formula Paint Thinner (for oil-based paints or varnish).
- If filter has any holes, replace with new filter. NEVER puncture filter with any object.
- Replace filter into double-ended nut.
- Thread double-ended nut and filter clockwise onto the fluid tube of the Dual-Action™ pistol-grip sprayer. Sprayer will not work if filter is improperly inserted in the handle.

TROUBLESHOOTING

PROBLEM	CAUSE	POSSIBLE SOLUTION
Motor does not run.	Paint sprayer is not plugged in HI/OFF/FINISH switch in OFF position Paint sprayer has shut off while under pressure No current coming from outlet Extension cord is damaged or has low voltage A fuse has blown on paint sprayer Motor is not working properly	Make sure unit is plugged in Turn HI/OFF/FINISH switch to HI Turn the variable pressure control to maximum pressure or release pressure by turning PRIME/SPRAY lever to PRIME Test the power supply voltage Replace extension cord Contact Authorized Service Center Contact Authorized Service Center
Pressure is too low	Variable pressure control set too low	Turn variable pressure control to a higher setting

TROUBLESHOOTING

PROBLEM	CAUSE	POSSIBLE SOLUTION
Pump does not prime	<p>Prime/Spray valve is in Spray position</p> <p>Inlet screen is clogged or intake tube is not immersed</p> <p>Inlet valve check ball is stuck</p> <p>Intake tube is loose</p>	<p>Turn Prime/Spray lever to Prime</p> <p>Clean debris off inlet screen and make sure intake tube is at bottom of paint bucket</p> <p>Tap firmly on the outside of the inlet valve with a small wrench, allowing pump to prime properly</p> <p>Remove intake tube and place a pencil into the inlet section to dislodge the ball, allowing pump to prime properly.</p> <p>Tighten intake tube with flat-head screwdriver</p>
Motor seems to be running properly but pressure drops when pistol-grip sprayer is triggered	<p>Reversible spray tip is worn</p> <p>Spray tip is clogged</p> <p>Suction tube and filter are loose or damaged</p> <p>Pistol-grip sprayer filter is clogged</p> <p>Material being sprayed is too thick</p> <p>Inlet valve is damaged or worn</p> <p>Intake tube is loose</p>	<p>Replace spray tip</p> <p>Turn spray tip 180° and spray to clean</p> <p>Reinstall or replace suction tube and filter as needed</p> <p>Clean or replace pistol-grip sprayer filter</p> <p>Follow material manufacturer's directions and thin material as needed</p> <p>Replace inlet valve</p> <p>Tighten intake tube</p>
Prime/spray lever is set to spray but there is flow through the prime tube	PRIME/SPRAY lever is dirty or damaged	Contact Authorized Service Center
Pistol-grip sprayer leaks	Internal sprayer parts are worn or damaged	Contact Authorized Service Center
Nozzle tip guard leaks	Nozzle tip guard or spray tip were assembled improperly	Reassemble according to nozzle tip guard and Spray tip assembly instructions
Pistol-grip sprayer will not spray	<p>Spray tip is clogged</p> <p>Pistol-grip sprayer filter is clogged</p> <p>Spray tip is not fully seated into nozzle tip guard</p>	<p>Turn spray tip 180° and spray to clean</p> <p>Clean or replace pistol-grip sprayer filter</p> <p>Reassemble according to nozzle tip guard and Spray tip assembly instructions</p>
Paint pattern is weak or uneven	<p>Pressure is set too low</p> <p>Pistol-grip sprayer or intake tube filter is clogged</p> <p>Intake tube is loose at inlet valve</p> <p>Spray tip is worn</p> <p>Material being sprayed is too thick</p> <p>Loss of pressure</p>	<p>Turn variable pressure control to a higher setting</p> <p>Clean or replace filters</p> <p>Tighten tube fitting</p> <p>Replace spray tip</p> <p>Follow material manufacturer's directions and thin material as needed</p> <p>See Cause/Possible solutions for Pressure setting is too low, and Motor seems to be running properly but pressure drops when pistol-grip is triggered</p>

TABLE DES MATIÈRES

■ Introduction	2
■ Garantie	2
■ Instructions importantes concernant la sécurité	3
■ Règles de sécurité particulières	4
■ Symboles.....	5
■ Caractéristiques électriques.....	6
■ Caractéristiques	7
■ Assemblage.....	8-9
■ Utilisation.....	9-12
■ Entretien	13
■ Dépannage	14-15
■ Commande de pièces / réparation.....	Page arrière

INTRODUCTION

Ce produit offre de nombreuses fonctions destinées à rendre son utilisation plus plaisante et satisfaisante. Lors de la conception de ce produit, l'accent a été mis sur la sécurité, les performances et la fiabilité, afin d'en faire un outil facile à utiliser et à entretenir.

GARANTIE

PULVÉRISATEUR À PEINTURE SANS AIR GARANTIE LIMITÉE DE DEUX ANS

Chaque pulvérisateur à peinture sans air MILWAUKEE est garanti à l'acheteur d'origine être exempt de vice du matériau et de fabrication. Sous réserve de certaines exceptions, MILWAUKEE réparera ou remplacera toute pièce d'un pulvérisateur à peinture sans air MILWAUKEE qui se sera avéré affecté d'un vice du matériau ou de fabrication pendant une période de deux (2) ans après la date d'achat. Le retour du produit, accompagné d'une copie de la preuve d'achat, à un centre de réparations autorisé à procéder à l'entretien des pulvérisateurs à peinture sans air MILWAUKEE (un « Centre de réparations autorisé des pulvérisateurs à peinture sans air MILWAUKEE »), en port prépayé et assuré, est requis pour que la présente garantie soit valide. Cette garantie ne couvre pas les dommages causés par des réparations ou des tentatives de réparation par quiconque autre que le personnel d'un Centre de réparations autorisé des pulvérisateurs à peinture sans air, des utilisations incorrectes, des altérations, des utilisations abusives, une usure normale, une carence d'entretien ou des accidents.

L'enregistrement de la garantie n'est pas nécessaire pour bénéficier de la garantie en vigueur sur un pulvérisateur à peinture sans air MILWAUKEE. Une preuve d'achat sous la forme d'un reçu de vente ou d'autres informations considérées suffisantes par MILWAUKEE sont cependant requises. La date de fabrication du produit servira à établir la période de garantie si aucune preuve d'achat n'est fournie lorsqu'une demande de service sous garantie est faite.

L'ACCEPTATION DES RECOURS EXCLUSIFS DE RÉPARATION ET DE REMPLACEMENT DÉCRITS PAR LES PRÉSENTES EST UNE CONDITION DU CONTRAT D'ACHAT DE TOUS LES PRODUITS MILWAUKEE. SI VOUS N'ACCEPTÉZ PAS CETTE CONDITION, VOUS NE DEVEZ PAS ACHETER LE PRODUIT. EN AUCUN CAS MILWAUKEE NE SAURAIT ÊTRE RESPONSABLE DE TOUT DOMMAGE ACCESSOIRE, SPÉCIAL OU INDIRECT, DE TOUS DOMMAGES INTÉRÊTS PUNITIFS OU DE TOUTE DÉPENSE, DE TOUS HONORAIRES D'AVOCATS, DE TOUS FRAIS, DE TOUTE PERTE OU DE TOUS DÉLAIS ACCESSOIRES À TOUT DOMMAGE, À TOUTE DÉFAILLANCE OU À TOUT DÉFAUT DE TOUT PRODUIT, Y COMPRIS, SANS S'Y LIMITER, LES PERTES DE PROFIT. CERTAINS ÉTATS ET PROVINCES NE PERMETTANT PAS L'EXCLUSION OU LA LIMITATION DES DOMMAGES DIRECTS OU INDIRECTS, LES RESTRICTIONS CI-DESSUS PEUVENT NE PAS ÊTRE APPLICABLES. CETTE GARANTIE EST EXCLUSIVE ET REMPLACE TOUTE AUTRE GARANTIE EXPRESSE, QU'ELLE SOIT ORALE OU ÉCRITE. DANS LA MESURE PERMISE PAR LA LOI, MILWAUKEE RENONCE À TOUTE GARANTIE IMPLICITE, Y COMPRIS, SANS S'Y LIMITER, TOUTE GARANTIE IMPLICITE DE QUALITÉ MARCHANDE OU D'ADAPTATION À UNE UTILISATION OU À UNE FIN PARTICULIÈRE. DANS LA MESURE OÙ UNE TELLE STIPULATION D'EXONÉRATION N'EST PAS PERMISE PAR LA LOI, LA DURÉE DE CES GARANTIES IMPLICITES EST LIMITÉE À LA PÉRIODE APPLICABLE DE LA GARANTIE EXPRESSE, TEL QUE DÉCRIT PRÉCÉDEMMENT. CERTAINS ÉTATS ET PROVINCES NE PERMETTANT PAS DE LIMITATION DE DURÉE DES GARANTIES IMPLICITES, LES RESTRICTIONS CI DESSUS PEUVENT NE PAS ÊTRE APPLICABLES. LA PRÉSENTE CONFÈRE À L'UTILISATEUR DES DROITS LÉGAUX PARTICULIERS; IL BÉNÉFICIE ÉGALEMENT D'AUTRES DROITS QUI VARIENT D'UN ÉTAT À L'AUTRE.

Cette garantie s'applique aux produits vendus aux États-Unis, au Canada et au Mexique uniquement.

POUR BÉNÉFICIER D'UN ENTRETIEN : Retourner le pulvérisateur à peinture sans air MILWAUKEE, correctement emballé et en port prépayé, à un Centre de réparations autorisé des pulvérisateurs à peinture sans air MILWAUKEE afin de bénéficier d'un entretien sous garantie ou non. Pour connaître l'emplacement du Centre de réparations autorisé des pulvérisateurs à peinture sans air MILWAUKEE le plus près, composer le 1-877-203-0880 ou consulter la catégorie des pulvérisateurs à peinture sans air sur le site Web de MILWAUKEE à l'adresse suivante : www.milwaukeetool.com.

INSTRUCTIONS IMPORTANTES CONCERNANT LA SÉCURITÉ



AVERTISSEMENT :

CONSERVER CES INSTRUCTIONS. Pour réduire les risques d'incendie ou d'explosion, choc électrique, et la blessure aux personnes lire et veiller à bien comprendre toutes instructions incluses le manuel. Familiarisez-vous avec toutes les commandes et l'utilisation correcte de l'équipement.

LIRE TOUTES LES INSTRUCTIONS

- **APPRENDRE À CONNAÎTRE L'OUTIL.** Lire attentivement le manuel d'utilisation. Apprendre les applications et les limites de l'outil, ainsi que les risques spécifiques relatifs à son utilisation.

AVERTISSEMENT : Pour réduire les risques d'incendie ou d'explosion :

- Ne pas pulvériser de substances inflammables ou combustibles à proximité des flammes vives ou des sources d'inflammation comme les cigarettes, les moteurs et l'équipement électrique.
- Dans le cas des unités uniquement compatibles avec des substances à base d'eau ou avec des essences minérale ayant un point d'éclair de 60 °C (140 °F), ne pulvériser aucun liquide ayant un point d'éclair inférieur à 60 °C (140 °F) et n'effectuer aucune opération de nettoyage avec ce type de liquide.
- La peinture ou le solvant qui circule dans l'équipement peut créer de l'électricité statique. L'électricité statique crée un risque d'incendie ou d'explosion en présence de vapeurs de peinture ou de solvant. Toutes les pièces du système de pulvérisation, y compris la pompe, le tuyau, le pulvérisateur ainsi que les objets se trouvant dans la zone de pulvérisation ou autour de celle-ci, doivent être correctement mises à la terre afin d'assurer une protection contre les décharges statiques et les étincelles.
- Utiliser uniquement les tuyaux flexibles haute pression conducteurs ou mis à la terre pour pulvérisateur de peinture sans air recommandés par le fabricant
- S'assurer que tous les contenants et les systèmes de captage sont mis à la terre afin d'empêcher les décharges statiques.
- Brancher l'outil dans une prise de courant mise à la terre et utiliser des cordons prolongateurs avec mise à la terre. Ne pas utiliser un adaptateur 3 voies vers 2 voies.
- Ne pas utiliser une peinture ou un solvant qui contient des hydrocarbures halogénés.
- L'aire de pulvérisation doit être bien ventilée. S'assurer que le lieu de travail comprend une bonne alimentation en air frais. Garder l'ensemble de pompe dans un endroit bien ventilé. Ne pas pulvériser la pompe elle-même.
- Ne pas fumer à proximité du l'aire de pulvérisation.
- Ne pas faire fonctionner les interrupteurs d'éclairage, les moteurs ou d'autres dispositifs produisant des étincelles à proximité du l'aire de pulvérisation.
- Garder le lieu de travail propre et exempt de contenants de peinture ou de solvant, de chiffons et d'autres matériaux inflammables.
- Bien connaître le contenu des peintures et des solvants qui sont pulvérisés. Lire toutes les fiches signalétiques et les étiquettes du contenant fournies avec les peintures et les solvants. Suivre les instructions de sécurité du fabricant concernant les peintures et les solvants.

- On doit retrouver un extincteur sur le lieu de travail et celui-ci doit fonctionner.

AVERTISSEMENT : Pour réduire les risques d'injection:




- Ne pas orienter la buse ou pulvériser en direction des personnes ou des animaux.
 - Garder les mains et les autres parties du corps à l'écart de la décharge. Par exemple, ne pas tenter de bloquer une fuite avec une partie du corps.
 - Toujours utiliser le protecteur d'embout. Ne pas utiliser l'outil si le protecteur d'embout n'est pas en place.
 - Utiliser seulement un embout de pulvérisation recommandé par le fabricant.
 - Faire preuve de prudence au moment de nettoyer et de changer les embouts de pulvérisation. Si l'embout de pulvérisation s'encrasse pendant l'opération, suivre les instructions du fabricant pour éteindre l'unité et relâcher la pression avant de retirer l'embout pour le nettoyer.
 - Ne pas laisser l'unité sans surveillance lorsque celle-ci est en marche ou sous pression. Lorsque l'unité n'est pas utilisée, l'éteindre et relâcher la pression conformément aux instructions du fabricant.
 - Le pulvérisateur haute pression peut injecter des substances toxiques dans le corps et entraîner des blessures graves. Au cas où ce genre d'injection surviendrait, consulter immédiatement un médecin.
 - Vérifier les tuyaux flexibles et les pièces afin de s'assurer qu'ils ne sont pas endommagés. Remplacer tout tuyau flexible endommagé ou toute pièce endommagée.
 - Ce système peut produire une pression de 17 236,89 kPa (2 800 psi). Utiliser uniquement des pièces de remplacement ou des accessoires recommandés par le fabricant et qui tolèrent une pression nominale de 17236,89 kPa (3 000 psi).
 - Toujours enclencher le verrou de la gâchette lorsqu'aucune opération de pulvérisation n'est requise. S'assurer que le verrou de la gâchette fonctionne correctement.
 - S'assurer que tous les raccords sont solides avant d'utiliser cette unité.
 - Savoir comment arrêter rapidement l'unité. Se familiariser avec toutes les commandes.
 - Pour l'usage de ménage seulement.
- AVERTISSEMENT :** Pour réduire les risques de blessure :
- Toujours porter une protection oculaire certifiée conforme à la norme ANSI Z87.1, ainsi qu'un appareil respiratoire ou un masque approprié au moment de peindre.
 - Ne pas utiliser ou pulvériser le produit à proximité des enfants. Garder les enfants à l'écart de l'équipement en tout temps.
 - Ne pas travailler hors de portée ou se tenir sur un support instable. Se tenir bien campé et en équilibre en tout temps.
 - Rester attentif et prêter attention au travail.
 - Ne pas utiliser cet appareil en cas de fatigue ou sous l'influence de l'alcool ou de drogues.
 - Ne pas entortiller ou courber excessivement le tuyau flexible.
 - Ne pas exposer le tuyau flexible à des températures ou à des pressions qui dépassent celles recommandées par le fabricant.
 - Ne pas utiliser le tuyau flexible comme élément de renforcement pour tirer ou soulever l'équipement.

RÈGLES DE SÉCURITÉ PARTICULIÈRES






- **Maintenir tous les dispositifs de protection en place** et en bon état de fonctionnement. Ne jamais utiliser l'outil avec des couvercles ou dispositifs de protection retirés. S'assurer que tous les dispositifs de protection fonctionnent correctement avant chaque utilisation.
- **Pour réduire les risques de blessures**, garder les enfants et visiteurs à l'écart. Tous les visiteurs doivent porter des lunettes de sécurité et se tenir à bonne distance de la zone de travail.
- **Ne laisser personne approcher la zone de travail**, particulièrement les petits enfants et les animaux domestiques.
- **Utiliser l'outil approprié.** Ne pas utiliser l'outil ou un accessoire pour effectuer un travail pour lequel il n'est pas conçu. Ne pas utiliser l'outil pour une application non prévue.
- **Ne pas faire fonctionner l'équipement pied-nu ou en portant des sandales ou des chaussures légères similaires.** Porter des chaussures de sécurité protégeant les pieds et améliorant l'équilibre sur des surfaces glissantes.
- **Faire preuve de prudence pour éviter de glisser ou tomber.**
- **Toujours porter une protection oculaire avec écrans latéraux certifiée conforme à la norme ANSI Z87.1.** Le non respect de cette règle peut faire en sorte que des liquides soient projetés dans vos yeux, ce qui peut entraîner des blessures graves.
- **N'utiliser que les accessoires recommandés.** L'emploi de tout accessoire inadapté peut présenter un risque de blessure.
- **Suivre les instructions d'entretien spécifiées dans ce manuel.**
- **Vérifier l'état des pièces.** Avant d'utiliser l'outil de nouveau examiner soigneusement les pièces et dispositifs de protection qui semblent endommagés afin de déterminer s'ils fonctionnent correctement et s'ils remplissent les fonctions prévues. Vérifier l'alignement des pièces mobiles, s'assurer qu'aucune pièce n'est bloquée ou cassée, vérifier la fixation de chaque pièce et s'assurer qu'aucun autre problème ne risque d'affecter le bon fonctionnement de l'outil. Pour éviter les risques de blessures, toute protection ou pièce endommagée doit être correctement réparée ou remplacée dans un centre de réparations agréé.
- **Ne jamais laisser un outil en fonctionnement sans surveillance.** Ne pas s'éloigner de l'outil avant qu'il soit parvenu à un arrêt complet.
- **Suivre les recommandations du fabricant** pour charger, décharger, transporter et entreposer l'unité en toute sécurité.
- **Se familiariser complètement avec les commandes.** Veiller à savoir arrêter la machine et relâcher la pression rapidement.
- **Garder l'outil sec, propre et exempt d'huile ou de graisse.** Toujours utiliser un chiffon propre pour le nettoyage. Ne jamais utiliser de liquide de freins, d'essence ou de produits à base de pétrole pour nettoyer l'outil.
- **Ne pas utiliser l'outil si le commutateur ne permet pas de l'arrêter.** Faire remplacer les commutateurs défectueux dans un centre de réparations agréé.
- **Avant de nettoyer, réparer ou inspecter**, couper le moteur, relâcher la pression et vérifier que toutes les pièces en mouvement sont arrêtées.
- **Éviter les environnements dangereux.** Ne pas utiliser dans des endroits mouillés ou humides, ne pas exposer à la pluie. Garder le lieu de travail bien éclairé.
- **Ne jamais diriger un jet de peinture vers des personnes, des animaux et des appareils électriques.**
- **Ne jamais mettre la machine en marche** si de la glace s'est formée sur quelque partie que ce soit.
- **AVERTISSEMENT : Les pulvérisateur à haute pression peuvent être dangereux s'ils sont utilisés incorrectement.** Le pulvérisateur ne doit pas être dirigé vers des personnes, animaux, dispositifs électriques ou l'équipement lui-même.
- **Rester à l'écart des pièces brûlantes.**
- **Vérifier le serrage de la boulonnerie** avant chaque utilisation. Un boulon ou écrou desserré peut causer de sérieux problèmes de moteur.
- **Laisser le produit refroidir avant de remiser l'outil.**
- **Remiser dans un endroit frais, bien aéré, à l'écart d'étincelle et/ou d'appareils produisant des flammes.**
- **Utiliser exclusivement des pièces identiques à celles d'origine pour les réparations.** L'usage de toute autre pièce pourrait créer une situation dangereuse ou endommager l'outil.
- **Ne pas utiliser l'outil si l'embout de pulvérisation n'est pas en place.**
- **Les conséquences d'une blessure par injection peuvent aller jusqu'à l'amputation.** Consulter immédiatement un médecin.
- **Ne jamais mettre les mains devant l'embout de pulvérisation pendant l'utilisation.** Le fait de porter des gants ne protège pas toujours l'utilisateur des blessures par injection.
- **Porter des vêtements protégeant la peau et les cheveux de la peinture, ainsi qu'un masque ou un respirateur pendant l'utilisation.** Les peintures, les solvants et les autres substances peuvent être dangereux s'ils sont inhalés ou s'ils entrent en contact avec le corps.
- **Toujours débrancher le pulvérisateur, éteindre l'unité et relâcher la pression avant de procéder à l'entretien ou au nettoyage de l'embout ou du dispositif de protection de l'embout, de changer d'embout, ou de laisser l'unité sans surveillance.**
- **Le plastique peut provoquer des étincelles. Ne jamais suspendre du plastique pour clôturer une aire de pulvérisation.** Ne pas utiliser de toiles de peintre en plastique au moment de pulvériser des substances inflammables.
- **Ne pas pulvériser à l'extérieur lors de journées venteuses.**
- **Ne pas tenter de nettoyer ou de dégraisser l'embout de pulvérisation avec son doigt.**
- **S'assurer que le cordon prolongateur est en bon état. Si un cordon prolongateur est utilisé, s'assurer que sa capacité est suffisante pour supporter le courant de fonctionnement de l'outil. Un calibre de fil (A.W.G) d'au minimum 12 est recommandé pour un cordon prolongateur de 15 m (50 pi) ou moins. L'usage d'un cordon de plus de 30 m (100 pi) est déconseillé. En cas de doute, utiliser un cordon de calibre immédiatement supérieur. Moins le numéro de calibre est élevé, plus la capacité du fil est grande.** Un cordon de capacité insuffisante causerait une baisse de la tension de ligne, entraînant une perte de puissance et une surchauffe.
- **Conserver ces instructions.** Les consulter fréquemment et les utiliser pour instruire d'autres utilisateurs. Si cet outil est prêt, il doit être accompagné de ces instructions.

SYMBOLES

Les termes de mise en garde suivants et leur signification ont pour but d'expliquer le degré de risques associé à l'utilisation de ce produit.

SYMBOLE	SIGNAL	SIGNIFICATION
	DANGER :	Indique une situation extrêmement dangereuse qui, si elle n'est pas évitée, aura pour conséquences des blessures graves ou mortelles.
	AVERTISSEMENT :	Indique une situation potentiellement dangereuse qui, si elle n'est pas évitée, pourrait entraîner des blessures graves ou mortelles.
	ATTENTION :	Indique une situation potentiellement dangereuse qui, si elle n'est pas évitée, pourrait entraîner des blessures légères ou de gravité modérée.
	ATTENTION :	(Sans symbole d'alerte de sécurité) Indique une situation pouvant entraîner des dommages matériels.

Certains des symboles ci-dessous peuvent être présents sur le produit. Veiller à les étudier et à apprendre leur signification. Une interprétation correcte de ces symboles permettra d'utiliser le produit plus efficacement et de réduire les risques.

SYMBOLE	NOM	DÉSIGNATION / EXPLICATION
	Symbole d'alerte de sécurité	Indique un risque de blessure potentiel.
	Lire le manuel d'utilisation	Pour réduire les risques de blessures, l'utilisateur doit lire et veiller à bien comprendre le manuel d'utilisation avant d'utiliser ce produit.
	Protection oculaire	Always wear eye protection with side shields marked to comply with ANSI Z87.1.
	Risque d'injection	Pour réduire les risques d'injection ou de blessures, ne jamais diriger un jet de liquide vers des personnes ou des animaux, ou placer l'une ou l'autre des parties du corps devant le jet. Les fuites sur les tuyaux et les raccords peuvent également causer des blessures par injection. Ne pas tenir les tuyaux ou les raccords.
V	Volts	Tension
PSI	Livres par pouce carré	Pression des fluides
GPM	Gallons par minute	Quantité de liquide utilisée par minute lors d'une utilisation continue.
A	Ampères	Intensité
Hz	Hertz	Fréquence (cycles par seconde)
min	Minutes	Temps
~	Courant alternatif	Type de courant
n_0	Vitesse à vide	Vitesse de rotation à vide
	Outil de la classe II	Construction à double isolation
.../min	Par minute	Tours, coups, vitesse périphérique, orbites, etc., par minute

CARACTÉRISTIQUES ÉLECTRIQUES

CORDONS PROLONGATEURS

Utiliser exclusivement des cordons prolongateurs à trois fils doté d'une fiche à prise de terre branchés sur une prise triphasée compatible avec la fiche de l'outil. Lors de l'utilisation d'un outil électrique à grande distance d'une prise secteur, veiller à utiliser un cordon prolongateur d'une capacité suffisante pour supporter l'appel de courant de l'outil. Un cordon de capacité insuffisante causerait une baisse de la tension de ligne, entraînant une perte de puissance et une surchauffe. Se reporter au tableau ci-dessous pour déterminer le calibre minimum de fil requis pour un cordon donné. Utiliser exclusivement des cordons à gaine ronde homologués par Underwriter's Laboratories (UL).

**Intensité nominale (sur la plaquette signalétique de l'outil)

0-2,0 2,1-3,4 3,5-5,0 5,1-7,0 7,1-12,0 12,1-16,0

Longueur du cordon	Calibre de fil (A.W.G.)					
25'	16	16	16	16	14	14
50'	16	16	16	14	14	12
100'	16	16	14	12	10	—

**Utilisé sur circuit de calibre 12 – 20 A.7.62 NOTE : AWG = American Wire Gauge

Pour les travaux à l'extérieur, utiliser un cordon prolongateur spécialement conçu à cet effet. La gaine des cordons de ce type porte l'inscription « W-A » ou « W ».

Avant d'utiliser un cordon prolongateur, vérifier que ses fils ne sont ni détachés ni exposés et que son isolation n'est ni coupée, ni usée.

⚠ AVERTISSEMENT :

Maintenir le cordon prolongateur à l'écart de la zone de travail. Lors du travail avec un cordon électrique, placer le cordon de manière à ce qu'il ne risque pas de se prendre dans les pièces de bois, outils et autres obstacles. Ne pas prendre cette précaution peut entraîner des blessures graves.

⚠ AVERTISSEMENT :

Vérifier l'état des cordons prolongateurs avant chaque utilisation. Remplacer immédiatement tout cordon endommagé. Ne jamais utiliser un outil dont le cordon d'alimentation est endommagé car tout contact avec la partie endommagée pourrait causer un choc électrique et des blessures graves.

CONNEXION ÉLECTRIQUE

Cet outil est équipé d'un moteur électrique de précision. Elle doit être branchée uniquement sur une **alimentation 120 V, c.a. (courant résidentiel standard), 60 Hz**. Ne pas utiliser cet produit sur une source de courant continu (c.c.). Une chute de tension importante causerait une perte de puissance et une surchauffe du moteur. Si l'outil ne fonctionne pas une fois branché, vérifier l'alimentation électrique.

INSTRUCTIONS DE MISE À LA TERRE

Ce produit doit être fondé. En cas de problème de fonctionnement ou de panne, la mise à la terre fournit un chemin de résistance au courant électrique, pour réduire le risque de choc électrique. Cet produit est équipé d'un cordon électrique avec conducteur et fiche de mise à la terre. Le cordon doit être branché sur une prise correctement installée et mise à la terre conformément à tous les codes et réglementations locaux en vigueur.

Ne pas modifier la fiche fournie. Si elle ne peut pas être insérée dans la prise secteur, faire installer une prise adéquate par un électricien qualifié.

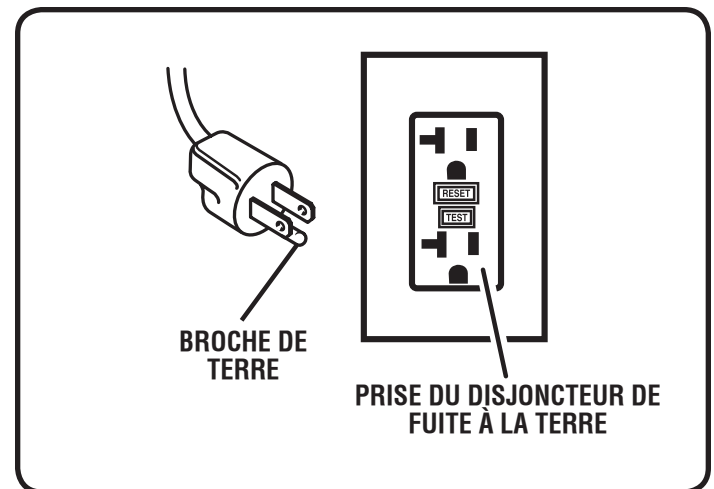
⚠ AVERTISSEMENT :

L'usage d'un cordon prolongateur incorrect peut présenter des risques de choc électrique. Si le cordon doit être réparé ou remplacé, ne pas connecter le fil de terre de l'outil sur une borne sous tension. Le fil à gaine verte, avec ou sans traceur jaune est le fil de terre.

Consulter un électricien qualifié ou le personnel de service si les instructions de mise à la terre ne sont pas bien comprises, ou en cas de doute au sujet de la mise à la terre.

Tout cordon endommagé doit être réparé ou remplacé immédiatement.

Ce produit est pour l'usage sur un nominal 120 circuit de volt et a un fonder bouche similaire au bouchon illustré au dessous. Seulement connecter le produit à une sortie ayant la même configuration comme le bouchon. Ne pas utiliser un adaptateur avec ce produit.



CARACTÉRISTIQUES

FICHE TECHNIQUE

Débit.....0,91 lpm (0,31 GPM)
Pression du liquide.....
55,16 kPa - 20 685 kPa (800-3 000 PSI)

Pression d'air20685 kPa (3 000 PSI)
Alimentation 120 V, c.a. seulement, 60 Hz, 15 A
Poids 18,6 kg (41 lb)

VEILLEZ À BIEN CONNAÎTRE PULVÉRISATEUR À PEINTURE SANS AIR

Voir la figure 1.

L'utilisation sûre de ce produit exige une compréhension des renseignements figurant sur l'outil et contenus dans le manuel d'utilisation, ainsi qu'une bonne connaissance du projet entrepris. Avant d'utiliser ce produit, se familiariser avec toutes ses fonctions et règles de sécurité.

POMPE À PISTON DE 20685 kPa (3 000 PSI)

Maintient le degré de pression nécessaire aux différentes utilisations.

TUYAU FLEXIBLE HAUTE PRESSION DE 7,62 M (25 PI)

Le tuyau flexible haute pression de 7,62 m (25 pi) permet de pulvériser sur une surface plus grande sans qu'il ne soit nécessaire de déplacer le pulvérisateur à peinture.

MODE DE PULVÉRISATION SANS AIR

Le liquide pressurisé passant dans la buse de pulvérisation sera atomisé lors de la pulvérisation.

SUPPORT DE CONTENANT

Utiliser avec des contenants ayant une capacité maximale de 18,93 l (5 gal).

PANNEAU DE COMMANDE

Interface simple et positionnement pratique de toutes les commandes.

PISTOLET DE PULVÉRISATION DUAL-ACTION™

Le pistolet de pulvérisation DUAL ACTION™ passe facilement du mode d'application sans air et au mode de finition.

COURROIE ÉLASTIQUE

Permet de fixer le contenant de peinture au corps du pulvérisateur.

TECHNOLOGIE DE PULVÉRISATION DE FINITION

La turbine à deux étages offre une pulvérisation à basse pression pour les applications de finition.

POIGNÉE REPLIABLE

La poignée se replie pour faciliter le rangement.

FILTRE D'ASPIRATION

Le filtre d'aspiration empêche les débris de pénétrer dans le système de peinture.

RANGEMENT POUR ACCESSOIRES INTÉGRÉ

Le sac de rangement amovible est pratique pour ranger le pistolet de pulvérisation, les embouts de pulvérisation, l'adaptateur de tuyau, le tuyau à haute pression et les autres accessoires.

RÉGULATEUR DE PRESSION

- La basse pression sert à l'apprêt, au nettoyage et à l'utilisation de solvants ainsi que lors de la pulvérisation de finition.
- Une pression plus élevée est parfaite lors de la pulvérisation de produits au latex et lors de la pulvérisation haute pression sans air.

SÉLECTEUR AMORÇAGE/PULVÉRISATION

Vous permet de choisir entre les modes AMORÇAGE et PULVÉRISATION.

EMBOUPTS DE PULVÉRISATION RÉVERSIBLES

L'appareil comprend deux embouts de pulvérisation réversibles permettant de nettoyer rapidement les accumulations de peinture.

ASSEMBLAGE

DÉBALLAGE

Ce produit doit être assemblé.

- Sortir soigneusement la produit du carton et la poser sur un plan de travail horizontal.

AVERTISSEMENT :

Ne pas utiliser le produit si, en le déballant, vous constatez que des éléments figurant dans la la liste d'expédition sont déjà assemblés. Certaines pièces figurant sur cette liste n'ont pas été assemblées par le fabricant et exigent une installation. Le fait d'utiliser un produit qui a été assemblé de façon inadéquate peut entraîner des blessures.

- Examiner soigneusement le produit pour s'assurer que rien n'a été brisé ou endommagé en cours de transport.
- Ne pas jeter les matériaux d'emballage avant d'avoir soigneusement examiné le produit et avoir vérifié qu'il fonctionne correctement.
- Si des pièces sont manquantes ou endommagées, appeler le 1-877-203-0880.

LISTE D'EXPÉDITION

Voir la figure 2.

Description	Qté
Couvercle pour les contenants de peinture de 18,93 l (5 gal).....	1
Pistolet de pulvérisation DUAL-ACTION™ avec protecteur d'embout de la buse	1
Roulette	2
Essieu.....	2
Rondelle	2
Goupille de sûreté	2
Tuyau à air de 7,62 m (25 pi)	1
Tuyau flexible haute pression mis à la terre de 7,62 m (25 pi).....	1
Embout de pulvérisation réversible 310.....	1
Embout de pulvérisation réversible 619.....	1
Accessoire du boyau d'arrosage.....	1
Courroie élastique	1
Manuel d'utilisation (pas illustré)	1

AVERTISSEMENT :

Si des pièces manquent ou sont endommagées, ne pas utiliser ce produit avant qu'elles aient été remplacées. Le fait d'utiliser ce produit même s'il contient des pièces endommagées ou s'il lui manque des pièces peut entraîner des blessures graves.

AVERTISSEMENT :

Ne pas essayer de modifier ce produit ou de créer des accessoires non recommandés pour le produit. De telles altérations ou modifications sont considérées comme un usage abusif et peuvent créer des conditions dangereuses, risquant d'entraîner des blessures graves.

AVERTISSEMENT :

Ne pas brancher sur le secteur avant d'avoir terminé l'assemblage. Le non respect de cet avertissement peut causer un démarrage accidentel, entraînant des blessures graves.

OUTILS NÉCESSAIRES

Clé réglable

INSTALLATION DES ROUES

Voir la figure 3.

Pour fixer les roues sur la base :

- Repérer l'essieu.
- Passer l'essieu dans le trou de la roue. Glisser la rondelle dans l'essieu.
- Soulever légèrement la station de peinture, glisser l'essieu, avec roue et petit rondelle, dans le trou de montage de la roue à la base de l'unité.
- Pousser la goupille de blocage dans le trou situé à l'extrémité de l'essieu pour fixer solidement l'ensemble.
- Répéter l'opération pour assembler la deuxième roue.

PLIER LA POIGNÉE

Voir la figure 4.

- **Pour lever la poignée :** tirer la poignée vers le haut jusqu'à ce que le bouton de déclenchement s'enclenche dans le trou de blocage afin de la fixer solidement.
- **Pour abaisser la poignée (aux fins d'entreposage) :** tirer le bouton de déclenchement situé sur le côté droit de la poignée et abaisser cette dernière.

AVERTISSEMENT :

Ne jamais utiliser la poignée pour soulever le pulvérisateur de peinture. Le non-respect de cette précaution peut entraîner des blessures graves.

BRANCHEMENT DU TUYAU FLEXIBLE HAUTE PRESSION ET PISTOLET DE PULVÉRISATION DUAL-ACTION™

Voir la figure 5.

Pour raccorder le tuyau flexible haute pression à la station de peinture :

- Vissez le collet du tuyau flexible haute pression au raccord d'admission de la peinture situé sur la panneau de commande.
- Serrer solidement le tout à l'aide d'une clé à ouverture réglable.

Pour raccorder le pistolet de pulvérisation DUAL-ACTION™ au tuyau flexible haute pression :

- Visser le collet du tuyau flexible haute pression au pistolet de pulvérisation en tournant le collet du tuyau dans le sens horaire.
- Utiliser une clé réglable pour retenir l'écrou du pistolet de pulvérisation et une autre clé pour tourner et serrer l'écrou de l'extrémité du tuyau flexible.

ASSEMBLAGE

INSTALLER LE PROTECTEUR D'EMBOUT DE LA BUSE SUR LE PISTOLET DE PULVÉRISATION DUAL-ACTION™

Voir les figures 6 - 7.

Consulter les instructions d'utilisation afin de prendre connaissance des directives sur le rinçage, l'application du primaire et le nettoyage **avant** d'installer le protecteur d'embout et l'embout de pulvérisation. Examiner tous les avertissements concernant l'utilisation du pistolet de pulvérisation et le risque d'injection.

- Appuyez sur le levier de verrouillage pour verrouiller la détente du pulvérisateur.
- Dévissez le protecteur d'embout de la buse.

NOTE : De petites pièces se trouvant à l'intérieur du protecteur d'embout peuvent facilement être échappées et perdues. Toujours retirer délicatement le protecteur d'embout de la buse.

- Insérer le manchon de l'embout dans le protecteur d'embout de la buse en veillant à ce que les trous soient alignés.
- Insérer l'embout de pulvérisation réversible voulu dans le protecteur d'embout de la buse, fixant ainsi le manchon en place.
- Insérer la selle de renforcement en métal dans le protecteur d'embout de la buse. La selle de renforcement en métal devrait être solidement appuyée sur l'embout de pulvérisation réversible.
- Placer le joint d'étanchéité de caoutchouc le côté cannelé vers le bas sur la selle de renforcement, dans le protecteur d'embout de la buse.
- Mettre en place l'ensemble de protecteur d'embout de la buse sur le pulvérisateur et serrer fermement.
- Enfoncer l'embout de pulvérisation fermement dans le protecteur d'embout de la buse.
- Garder la gâchette du pistolet de pulvérisation verrouillée lorsque celui-ci n'est pas utilisé.

UTILISATION

AVERTISSEMENT :

Ne pas laisser la familiarité avec le produit faire oublier la prudence. Ne pas oublier qu'une fraction de seconde d'inattention peut entraîner des blessures graves.

AVERTISSEMENT :

Toujours porter une protection oculaire avec écrans latéraux certifiée conforme à la norme ANSI Z87.1. Le non respect de cette règle peut faire en sorte que des liquides soient projetés dans vos yeux, ce qui peut entraîner des blessures graves.

AVERTISSEMENT :

Ne pas utiliser d'outils ou accessoires non recommandés par le fabricant pour cet outil. L'utilisation de pièces et accessoires non recommandés peut entraîner des blessures graves.

AVERTISSEMENT :

Pour réduire le risque d'injection, ne JAMAIS remplacer l'embout de pulvérisation sans avoir verrouillé le pistolet de pulvérisation et ne JAMAIS diriger le pulvérisateur vers soi, vers quiconque ou vers l'unité. En cas d'injection cutanée, consulter immédiatement un médecin. Ne pas respecter cette directive peut entraîner des blessures graves.

VERROUILLAGE DU PISTOLET DE PULVÉRISATION

Voir la figure 6.

Toujours verrouiller la gâchette du pistolet de pulvérisation au moment de cesser de pulvériser afin d'éviter, en cas de choc, de déclencher accidentellement le pistolet et de causer une blessure par injection.

- Appuyer sur le levier de verrouillage pour verrouiller la détente du pulvérisateur.
- Appuyer sur le levier de verrouillage en direction de la poignée pour libérer la détente.

PROCÉDURE DE LIBÉRATION DE LA PRESSION

Toujours suivre cette procédure au moment de mettre le pulvérisateur de peinture de finition/sans air à l'arrêt pour quelque raison que ce soit. Cette procédure permet de libérer la pression du tuyau flexible haute pression.

- Appuyez sur le levier de verrouillage pour verrouiller la détente du pistolet de pulvérisation.
- Placer l'interrupteur « HIGH / OFF / FINISH » (élevée, arrêt, finition) à la position « OFF » (arrêt).
- Tourner le levier « prime/spray » (amorçage/pulvérisation) à la position « PRIME » (amorçage). Ceci libère la pression de pompe.
- Appuyer sur le levier de verrouillage en direction de la poignée pour libérer la détente et diriger ce dernier vers la paroi intérieure du réservoir de peinture, en libérant la peinture ou la teinture non utilisée dans le réservoir. Ceci libère la pression de pompe dans le tuyau et pistolet de pulvérisation.

ACCESSOIRES

Tous les accessoires utilisés avec ce produit doivent tolérer une pression nominale d'au moins 22064 kPa (3 200 psi). S'assurer que l'accessoire est compatible et qu'il est bien installé avant de l'utiliser avec ce produit.

AVERTISSEMENT :

Risque d'incendie ou d'explosion – L'aire de pulvérisation doit être ventilée et située à l'écart des étincelles et des flammes. Ne pas prendre cette précaution pourrait entraîner des blessures graves.

APPLICATIONS

Ce produit peut être utilisé pour l'application ci-dessous :

- Pour peinture ou teinture d'extérieur sur patios, meubles d'extérieur, clôtures, parements, et pour peinture au pistolet d'intérieur ou d'extérieur de murs, d'armoires et de portes.

UTILISATION

- Appuyer sur le levier de verrouillage pour verrouiller la détente du pulvérisateur.
- Laisser le levier « prime/spray » (amorçage/pulvérisation) à la position « PRIME » (amorçage) jusqu'à la prochaine séquence de pulvérisation.

RINÇAGE DE LA STATION DE PEINTURE

Avant d'utiliser le pulvérisateur à peinture pour la première fois ou avant d'entamer un nouveau projet ou de changer les couleurs, il est important de bien rincer la station de peinture afin de retirer tous les liquides d'entreposage, les liquides de nettoyage usagés ou les enduits demeurés dans le système. Suivre les instructions relatives au **Nettoyage de la station de peinture** avant d'entamer tout projet.

INSTALLATION ET AMORÇAGE

Voir les figures 8 à 10.

L'utilisateur doit amorcer l'unité avant d'utiliser le pulvérisateur. Le tuyau flexible de liquide haute pression devrait être relié de la façon décrite à la section « Assemblage » du présent guide.

- Placer le contenant de peinture choisi sur le support à peinture.
- Fixer le contenant au moyen d'une courroie élastique. Placer le couvercle sur le contenant de 18,93 l (5 gal).
NOTE : Cet appareil peut accueillir un contenant de peinture de 18,93 l (5 gal) ou de 3,79 l (1 gal).
- Verrouiller la gâchette du pulvérisateur.
- Retirer le protecteur d'embout et l'embout de pulvérisation du pistolet de pulvérisation.
- Placer le tube d'admission dans le bidon de peinture.
- Installer le tube de retour dans le contenant à déchets.
- Tourner le levier « prime/spray » (amorçage/pulvérisation) à la position « PRIME » (amorçage).
- Sélectionner « PRIME » (amorçage) sur le régulateur de pression.
- Brancher la station de peinture.
- Placer l'interrupteur « HIGH / OFF / FINISH » (élevée, arrêt, finition) à la position « HI » (élevée).
- Lorsque la peinture ou la teinture commence à couler dans le tube de retour, Placer l'interrupteur « HIGH / OFF / FINISH » (élevée, arrêt, finition) à la position « OFF » (arrêt). Mettre le tube de retour dans le contenant de peinture et l'attacher au tube d'entrée. Placer l'interrupteur « HIGH / OFF / FINISH » (élevée, arrêt, finition) à la position « HI » (élevée).
- Diriger le pistolet de pulvérisation (dépourvu du protecteur d'embout et de l'embout de pulvérisation) dans le compartiment à déchets.
- Tourner le levier « prime/spray » (amorçage/pulvérisation) à la position « SPRAY » (pulvérisation).
- Déverrouiller la gâchette du pulvérisateur.
- Pulvériser dans le contenant à déchets jusqu'à ce que l'air, l'eau et le liquide de nettoyage soient expulsés et qu'il ne sorte que de la peinture.
NOTE : Lorsque le moteur s'arrête, cela indique que la pompe et les tuyaux flexibles sont sous pression. Si le moteur continue de fonctionner, amorcer de nouveau la pompe en tournant le levier « prime/spray » (amorçage/pulvérisation) à la position « PRIME » (amorçage).
- Verrouiller la gâchette du pulvérisateur.
- Placer l'interrupteur « HIGH / OFF / FINISH » (élevée, arrêt, finition) à la position « OFF » (arrêt).
- Replacer le protecteur d'embout et l'embout de pulvérisation réversible sur le pistolet de pulvérisation (consulter la section intitulée Choix d'un embout de pulvérisation).
- L'unité est prête pour la pulvérisation.

CHOIX D'UN EMBOUT DE PULVÉRISATION

Voir la figure 11.

Les embouts de pulvérisation comportent des trous de différentes dimensions et des éventails de différentes largeurs.

L'unité comprend deux embouts de pulvérisation réversibles dotés d'un trou de 0,25 mm (0,010 po) et 0,019 mm (0,48 po) qui convient à une vaste gamme d'applications. La largeur de pulvérisation de l'embout de pulvérisation 310 est de 152,4 mm à 203,2 mm (6 à 8 po) et convient particulièrement aux applications de finition. La largeur de pulvérisation de l'embout de pulvérisation 619 est de 304,80 mm à 355,60 mm (12 à 14 po) et convient particulièrement aux applications de pulvérisation sans air.

TAILLE DU TROU : La taille du trou de l'embout de pulvérisation détermine le débit, c'est-à-dire, la quantité de peinture déchargée par le pulvérisateur.

Un trou de plus grande taille convient mieux aux enduits plus épais. Un trou de plus petite taille convient mieux aux enduits plus minces.

TAILLE DE L'ÉVENTAIL : La largeur de l'éventail détermine la taille du jet lorsque le pulvérisateur est maintenu à une distance d'environ 304,8 mm (12 po) de la surface à peindre.

Un éventail étroit assure une couverture plus épaisse de l'enduit et convient mieux aux endroits petits et étroits.

Un éventail large assure une couverture plus mince de l'enduit et convient mieux aux surfaces larges et ouvertes.

CHIFFRES DE L'EMBOUT DE PULVÉRISATION : Au moment de choisir l'embout de pulvérisation, noter que les trois derniers chiffres se trouvant sur l'embout renferment les renseignements sur la taille du trou et la largeur de l'éventail.

Par exemple, le numéro de l'embout de pulvérisation est 1415. Ici, le chiffre « 4 », lorsqu'il est doublé, correspond à la largeur approximative de l'éventail lorsque la peinture est appliquée à une distance de 304,8 mm (12 po) de la surface. Les deux derniers chiffres (« 15 ») correspondent à la taille du trou en pouces. Dans le cas présent, 0,381 mm (0,015 po).

Taille de l'orifice de l'embout	Revêtements				
	Léger		Moyen		Lourd
	Teintures	Émail	Primaires	Peintures d'intérieur	Peintures d'extérieur
0,011	•				
0,013	•	•			
0,015		•	•	•	
0,017			•	•	•
0,019			•	•	•
0,021					•

USURE DE L'EMBOUT DE PULVÉRISATION : Il importe de remplacer les embouts de pulvérisation lorsqu'ils sont usés. Si l'embout est usé, cela peut causer une application ou une finition inégale. Au fil du temps, le trou de l'embout de pulvérisation s'agrandit et l'éventail se rétrécit.

Avec la peinture au latex, il est nécessaire de remplacer les embouts de pulvérisation après avoir utilisé 56,78 l (15 gal) à 151,4 l (40 gal) d'enduit. Dans le cas des enduits à l'huile, remplacer les embouts de pulvérisation après 132,48 l (35 gal) à 227,1 mm (60 gal).

UTILISATION

Pour augmenter la durée de vie des embouts de pulvérisation, recourir à la plus faible pression nécessaire pour appliquer un revêtement égal d'enduit.

AVERTISSEMENT :

Il s'agit d'un dispositif haute pression. Pour réduire les risques de blessures, l'utilisateur doit lire et veiller à bien comprendre le manuel d'utilisation de l'outil. Pour réduire le risque d'injection, ne pas diriger le pulvérisateur vers soi, vers quiconque ou vers l'unité. En cas d'injection cutanée, consulter immédiatement un médecin. Ne pas respecter cette directive peut entraîner des blessures graves.

PULVÉRISATION

Voir la figure 12.

- S'assurer que la surface à peindre est exempte de poussière, de saleté et de graisse.
- Masquer ou recouvrir les surfaces sur lesquelles on ne prévoit pas appliquer de peinture ou de teinture. Attention au vent; il pourrait entraîner la peinture ou la teinture vers des endroits non désirés. Toujours utiliser une toile de peintre ou un autre recouvrement pour protéger les zones sur lesquelles on ne prévoit pas appliquer de peinture ou de teinture.
- Choisir l'embout de pulvérisation et l'appuyer solidement dans le protecteur d'embout. La flèche située sur l'embout de pulvérisation doit faire face au sens de pulvérisation.
- Verrouiller la gâchette du pulvérisateur.
- Brancher la station de peinture.
- Amorcer l'unité. Suivre les instructions décrites à la section intitulée **Préparation et amorçage**.
- Placer l'interrupteur « HIGH / OFF / FINISH » (élevée, arrêt, finition) à la position « HI » (élevée).
- Tourner le levier « prime/spray » (amorçage/pulvérisation) à la position « SPRAY » (pulvérisation).
- Positionner le régulateur de pression à la pression ÉLEVÉE (+). Il est possible de régler la pression de manière à obtenir la forme de jet et la couverture désirées.
- Déverrouiller la gâchette du pulvérisateur. Commencer à pulvériser.

NOTE : Si l'embout de pulvérisation s'encrasse, verrouiller la gâchette du pulvérisateur, le tourner de 180°, déverrouiller la gâchette du pulvérisateur et pulvériser dans le compartiment à déchets afin d'éliminer les résidus. Régler l'embout de pulvérisation en position de pulvérisation et poursuivre l'opération.

- Une fois l'opération terminée ou en cas d'arrêt, peu importe la raison, verrouiller la gâchette du pulvérisateur et suivre les instructions décrites à la section intitulée **Procédure de libération de la pression**.

CONSEILS SUR L'APPLICATION DE PEINTURE

Voir les figures 13 à 14.

- S'exercer à pulvériser sur des matériaux de rebut afin de tester la forme du jet avant de débiter l'opération. S'il est impossible d'obtenir une bonne forme de jet, consulter la section «**Dépannage**».
- Pour créer un revêtement égal sur toute la surface :
 - Garder le pistolet de pulvérisation à une distance égale de la zone de pulvérisation, soit de 304,8 mm (12 po) entre protecteur d'embout de la buse et la surface à pulvériser.
 - Utiliser le pistolet de pulvérisation en lui faisant effectuer des mouvements horizontaux. Ne pas tenir le pulvérisateur en angle. Cela donnera un revêtement inégal.
 - Appuyer sur la gâchette pour commencer à pulvériser au début du mouvement et relâcher la gâchette à la fin

du mouvement. Pour empêcher l'accumulation d'enduit, ne pas continuer d'appuyer sur la gâchette entre deux mouvements.

- Compléter un passage par mouvement. Chaque mouvement doit chevaucher la moitié du mouvement précédent pour couvrir complètement la surface.
- Une fois l'opération terminée, remettre la peinture ou la teinture non utilisée dans son contenant d'origine et bien nettoyer le pistolet.

AVERTISSEMENT :

Pour réduire les risques d'incendie ou d'explosion : ne pas nettoyer l'appareil avec des liquides inflammables comme du décapant pour peinture, du décapeur, du nettoyant pour pinces, de l'essence minérale, du diluant à peinture-laque, de la térébenthine, de l'acétone, de l'essence, du kérosène, etc. Utiliser uniquement de l'eau (dans le cas de peintures à l'eau) ou du diluant de formule blanche Klean-Strip® (dans le cas de peintures ou de vernis à base d'huile).

PULVÉRISATION DE FINITION

Voir la figure 15.

Au mode de finition par pulvérisation, de l'air pressurisé est intégré au jet de peinture, permettant d'obtenir une meilleure finition.

Pour utiliser le mode de pulvérisation de finition :

- Retirer le couvercle du raccord d'admission d'air du panneau de commande.
- Raccorder le tuyau flexible de soufflante de 7,62 m (25 pi) au raccord d'admission d'air. Voir **Branchement du tuyau flexible haute pression et pistolet de pulvérisation DUAL-ACTION™**.
- Raccorder l'autre extrémité du tuyau flexible de soufflante au pistolet. Voir **Branchement du tuyau flexible haute pression et pistolet de pulvérisation DUAL-ACTION™**.
- Brancher la station de peinture.
- Amorcer l'unité. Suivre les instructions décrites à la section intitulée **Préparation et amorçage**.
- Placer l'interrupteur « HIGH / OFF / FINISH » (élevée, arrêt, finition) à la position « FINISH » (finition).
- Tourner le levier « prime/spray » (amorçage/pulvérisation) à la position « SPRAY » (pulvérisation).
- Positionner le régulateur de pression à FINITION (-). Il est possible de régler la pression de manière à obtenir la forme de jet et la couverture désirées.
- Déverrouiller la gâchette du pulvérisateur. Commencer à pulvériser.

NOTE : Si l'embout de pulvérisation s'encrasse, verrouiller la gâchette du pulvérisateur, le tourner de 180°, déverrouiller la gâchette du pulvérisateur et pulvériser dans le compartiment à déchets afin d'éliminer les résidus. Régler l'embout de pulvérisation en position de pulvérisation et poursuivre l'opération.

- Une fois l'opération terminée ou en cas d'arrêt, peu importe la raison, verrouiller la gâchette du pulvérisateur et suivre les instructions décrites à la section intitulée **Procédure de libération de la pression**.

ENTREPOSAGE DE NUIT (JUSQU'À 12 HEURES)

NOTE : Ces directives concernent uniquement les peintures au latex et les enduits à l'eau. Si des enduits à l'huile sont utilisés, consulter les sections **Nettoyage de la station de peinture** et **Entreposage à long terme** afin de prendre connaissance des instructions. Les teintures et les enduits à l'huile ne peuvent être

UTILISATION

conservés pendant de longues périodes.

- Verrouiller le pistolet de pulvérisation et suivre la **Procédure de libération de la pression**.
- Placer l'interrupteur « HIGH / OFF / FINISH » (élevée, arrêt, finition) à la position « OFF » (arrêt).
- Débrancher la station de peinture.
- Laisser le tube d'admission et le tube de retour dans la peinture.
- Verser doucement ½ tasse d'eau au-dessus de la peinture afin d'empêcher celle-ci de se dessécher.
- Placer le couvercle sur le contenant de 18,93 l (5 gal). Enrouler un linge humide autour des tubes et autour de l'ouverture du réservoir.
- Enrouler un linge humide autour du pistolet de pulvérisation et le placer dans un sac de plastique. Sceller le sac.
- Pendant un entreposage court, garder le pistolet à l'abri de la lumière du soleil. Pour un entreposage prolongé, suivre les directives décrites à la section intitulée **Nettoyage de la station de peinture**.

NETTOYAGE DE LA PULVÉRISATEUR DE PEINTURE DE FINITION/SANS AIR

Voir les figures 16 à 17.

La solution utilisée pour nettoyer le pistolet est déterminée en fonction du type de l'enduit pulvérisé. Dans le cas d'enduits autres qu'au latex, utiliser le diluant de formule blanche Klean-Strip® (dans le cas de peintures ou de vernis à l'huile).

ATTENTION :

Il est important de bien nettoyer la station de peinture et le pistolet de pulvérisation après chaque utilisation ou au moment de changer de couleur. Le fait de laisser de la peinture ou de la teinture dans un outil au repos pendant une longue période peut entraîner l'encrassement des tuyaux flexibles et le grippage des pièces mobiles de l'appareil.

- Toujours utiliser une toile de peintre ou un autre recouvrement pour protéger les zones des renversements éventuels.
- Verrouiller le pistolet de pulvérisation et suivre la **Procédure de libération de la pression**.
- Débrancher la station de peinture.
- Retirer l'embout de pulvérisation et le protecteur d'embout du pulvérisateur.
- Utiliser la brosse de nettoyage (non compris) pour retirer les résidus d'enduit des trous des embouts de pulvérisation.
- Immerger les embouts de pulvérisation et le protecteur d'embout de la buse dans l'eau (dans le cas de peintures à l'eau) ou de diluant de formule blanche Klean-Strip® (dans le cas de peintures ou de vernis à l'huile).
- Remplir le sceau (contenant à déchets) d'eau (dans le cas de peintures à l'eau) ou de diluant de formule blanche Klean-Strip® (dans le cas de peintures ou de vernis à l'huile).
NOTE : Dans le cas d'enduits à l'eau, si le produit est rincé ou nettoyé avec de l'eau, il peut être plus facile d'utiliser un boyau d'arrosage ainsi que l'accessoire pour boyau d'arrosage (inclus). Retirer le filtre du tube d'admission et le fixer sur le boyau d'arrosage à l'aide de l'accessoire.
- Placer le tube d'admission dans le seau d'eau (dans le cas d'enduits au latex) ou de diluant de formule blanche Klean-Strip® révolutionnaire (dans le cas d'enduits à base d'huile).
- Placer le tube de retour dans le contenant à déchets.
- Tourner le levier « PRIME/SPRAY » (amorçage/pulvérisation) à la position « PRIME » (amorçage).

- Positionner le régulateur de pression à FINITION (-).
- Placer l'interrupteur « HIGH / OFF / FINISH » (élevée, arrêt, finition) à la position « HI » (élevée).

La station de peinture achemine le nettoyant liquide dans le tube d'admission par la pompe et l'expulse par le tube de retour dans le contenant à déchets. Laisser les nettoyants liquides circuler dans le système jusqu'à ce qu'ils deviennent clairs.

- Tourner le levier « prime/spray » (amorçage/pulvérisation) à la position « SPRAY » (pulvérisation).
- Verrouiller le pistolet de pulvérisation.
- Orienter le pulvérisateur vers l'intérieur du contenant à déchets pour rincer entièrement le tuyau flexible à liquide haute pression et le pistolet de pulvérisation.
NOTE : Si un boyau d'arrosage avec adaptateur est utilisé, mettre en marche le boyau et laisser couler l'eau dans le système jusqu'à ce qu'elle soit claire.
- Laisser le système fonctionner pendant environ une minute ou jusqu'à ce que le nettoyant liquide soit clair.
- Tourner le levier « prime/spray » (amorçage/pulvérisation) à la position « PRIME » (amorçage).
- Placer l'interrupteur « HIGH / OFF / FINISH » (élevée, arrêt, finition) à la position « HI » (élevée).
- Débrancher la station de peinture.
- Jeter l'eau sale (ou le diluant de formule blanche Klean Strip®), conformément aux ordonnances fédérales, locales et d'État.

NETTOYAGE DU PULVÉRISATEUR À PEINTURE AU MOYEN D'UN BOYAU D'ARROSAGE (DANS LE CAS D'ENDUITS AU LATEX)

- Retirer le filtre du tube d'admission.
- Fixer un adaptateur de boyau d'arrosage au boyau d'arrosage.
- Enfoncer l'adaptateur du boyau d'arrosage sur le tube d'admission et le fixer solidement à l'aide d'une collier de serrage à vis papillon.
- Régler « AMORÇAGE/PULVÉRISATION » à « AMORÇAGE ».
- Sélectionner « PRIME » (amorçage) sur le régulateur de pression.
- Ouvrir le boyau d'arrosage.
- Régler « ÉLEVÉ/ARRÊT/FINITION » à « ÉLEVÉ ».
- Rincer à l'eau le système jusqu'à ce que l'eau claire s'écoule du tube de retour.
- Régler « AMORÇAGE/PULVÉRISATION » à « PULVÉRISATION ».
- Déverrouiller le pistolet de pulvérisation.
- Une fois le protecteur d'embout de la buse est retiré, orienter le pistolet de pulvérisation vers l'intérieur du contenant à déchets pour rincer entièrement le tuyau flexible à liquide haute pression et le pistolet de pulvérisation.
- Laisser le système fonctionner jusqu'à ce que de l'eau claire s'écoule du pistolet de pulvérisation.
- Régler le levier « AMORÇAGE/PULVÉRISATION » à « AMORÇAGE ».
- Régler le sélecteur « ÉLEVÉ/ARRÊT/FINITION » à « FINITION ».
- Débrancher le pulvérisateur à peinture.
- Jeter l'eau sale (ou le diluant de formule blanche Klean Strip® révolutionnaire), conformément aux ordonnances fédérales, locales et d'État.

ENTRETIEN



AVERTISSEMENT :

Utiliser exclusivement des pièces d'origine pour les réparations. L'usage de toute autre pièce pourrait créer une situation dangereuse ou endommager le produit.



AVERTISSEMENT :

Toujours porter une protection oculaire avec écrans latéraux certifiée conforme à la norme ANSI Z87.1. Le non respect de cette règle peut faire en sorte que des liquides soient projetés dans vos yeux, ce qui peut entraîner des blessures graves.

PROCÉDURES D'ENTRETIEN

Éviter d'utiliser des solvants pour le nettoyage des pièces en plastique. La plupart des matières plastiques peuvent être endommagées par divers types de solvants du commerce. Utiliser un chiffon propre pour éliminer la saleté, la poussière, l'huile, la graisse, etc.



AVERTISSEMENT :

Ne jamais laisser de liquides tels que le fluide de freins, l'essence, les huiles pénétrantes, etc., entrer en contact avec les pièces en plastique. Les produits chimiques peuvent endommager, affaiblir ou détruire le plastique, ce qui peut entraîner des blessures graves.

ENTREPOSAGE À LONG TERME

Au moment d'entreposer la station de peinture pendant 16 heures ou plus, il est recommandé de bien la nettoyer.

- Débrancher le pistolet à peinture.
- Verrouiller le pistolet de pulvérisation et suivre la **Procédure de libération de la pression**.
- Nettoyer à fond le pistolet à peinture et le pistolet de pulvérisation DUAL-ACTION™ en suivant les instructions décrites précédemment à la section **Nettoyer le pulvérisateur**.

- S'assurer que l'unité et les tubes sont exempts d'eau ou de tout autre liquide, étant donné que les fluides sont susceptibles de geler.
- Entreposer les tuyaux, le pistolet de pulvérisation, la buse et les embouts dans le sac de rangement, si désiré.
- Replier la poignée vers l'avant de l'outil.

NETTOYAGE DU FILTRE DU PISTOLET DE PULVÉRISATION DUAL-ACTION™

- Mettre le pistolet à peinture hors tension en appliquant la procédure de relâchement de la pression.
- Débrancher le pistolet à peinture.
- Vérifier que le mécanisme de verrouillage de la détente est enclenché.
- Retirer le pistolet de pulvérisation DUAL-ACTION™ du tuyau flexible à liquide haute pression en utilisant une clé.
- À l'aide d'une clé ajustable (non comprise), faire tourner l'écrou se trouvant sur la conduite du liquide dans le sens inverse de celui des aiguilles d'une montre.
- Retirer le filtre de l'écrou double, en prenant note du sens du filtre.
- Bien nettoyer le réservoir à filtre avec de l'eau (dans le cas des peintures à base d'eau) ou avec le diluant de formule blanche révolutionnaire Klean Strip® (dans le cas des peintures à l'huile ou des vernis).
- Si le filtre présente des trous, le remplacer par un nouveau. NE JAMAIS percer le filtre.
- Replacer le filtre dans l'écrou double.
- Mettre en place l'écrou double et le filtre sur la conduite du liquide pistolet de pulvérisation DUAL-ACTION™ en les faisant tourner dans le sens des aiguilles d'une montre. Le pulvérisateur ne fonctionnera pas si le filtre n'est pas inséré convenablement dans la poignée.

DÉPANNAGE

PROBLÈME	CAUSE	SOLUTION POSSIBLE
Le moteur ne tourne pas	<p>La station de peinture n'est pas branchée.</p> <p>L'interrupteur « On/Off » (marche/arrêt) est réglé à la position « Off » (A<arrêt).</p> <p>La station de peinture s'est éteinte sous pression.</p> <p>Il n'y a pas de courant dans la prise.</p> <p>Le cordon prolongateur est endommagé ou possède une faible tension.</p> <p>Un fusible de la station de peinture a sauté.</p> <p>Le moteur ne fonctionne pas correctement.</p>	<p>S'assurer que l'unité est branchée.</p> <p>Régler l'interrupteur « On/Off » (marche/arrêt) à la position « On » (marche).</p> <p>Tourner le bouton du régulateur de pression « HIGHT/LOW » (élevée/faible) de manière à obtenir une pression maximale ou libérer la pression en tournant le levier « prime/spray » (amorçage/pulvérisation) à la position « PRIME » (amorçage).</p> <p>Mettre à l'essai la tension d'alimentation.</p> <p>Remplacer le cordon prolongateur.</p> <p>Communiquer avec un centre de réparations agréé.</p> <p>Communiquer avec un centre de réparations agréé.</p>
La pression est trop bas	Le régulateur de pression est réglé à un niveau trop bas	Ajuster le régulateur de pression à un niveau plus élevé
La pompe ne amorçage pas	<p>La valve « Prime/Spray » (amorçage/pulvérisation) est réglée à la position « Spray » (pulvérisation).</p> <p>Le grillage d'admission est obstrué ou le tube d'admission n'est pas immergé.</p> <p>La soupape à bille d'entrée est bloquée.</p> <p>Le tube d'admission détachées</p>	<p>Tourner le levier « Prime/Spray » (amorçage/pulvérisation) à la position « Prime » (amorçage).</p> <p>Retirer tous les débris obstruant le grillage d'admission et s'assurer que le tube d'admission se trouve au fond du contenant de peinture.</p> <p>Taper fermement l'extérieur de la vanne d'entrée à l'aide d'une petite clé afin d'amorcer correctement la pompe.</p> <p>Retirer le tube d'admission et insérer un crayon dans l'ouverture pour déloger la bille afin d'amorcer correctement la pompe.</p> <p>Serrer le tube d'admission à l'aide d'un tournevis à tête plate.</p>
Le moteur semble fonctionner correctement, mais la pression diminue lorsqu'on appuie sur le pistolet de pulvérisation	<p>L'embout de pulvérisation réversible est usé</p> <p>L'embout de pulvérisation est encrassé</p> <p>Le tube et le filtre de succion sont desserrés ou endommagés</p> <p>Le filtre du pistolet de pulvérisation est encrassé</p> <p>L'enduit pulvérisé est trop épais</p> <p>La valve d'entrée est endommagée ou usée</p> <p>Le tube d'admission est desserré</p>	<p>Remplacer l'embout de pulvérisation</p> <p>Tourner l'embout de pulvérisation de 180° et pulvériser afin de le nettoyer</p> <p>Réinstaller ou remplacer le tube et le filtre de succion, au besoin</p> <p>Nettoyer ou remplacer le filtre du pistolet de pulvérisation</p> <p>Suivre les directives du fabricant pour diluer l'enduit, au besoin</p> <p>Remplacer la valve d'entrée</p> <p>Serrer le tube d'admission</p>

DÉPANNAGE

PROBLÈME	CAUSE	SOLUTION POSSIBLE
Le levier « prime/spray » (amorçage/pulvérisation) est réglé à la position « Spray » (pulvérisation), mais du liquide circule dans le tube d'amorçage	Le levier « prime/spray » (amorçage/pulvérisation) est sale ou endommagé	Communiquer avec un centre de réparations agréé
Le pistolet de pulvérisation leaks des fuites	Pulvérisateur, les pièces internes sont usés ou endommagés	Communiquer avec un centre de réparations agréé
Le protecteur d'embout comporte des fuites	Le protecteur d'embout ou l'embout de pulvérisation sont assemblés de façon incorrecte	La selle de renforcement et la rondelle ne sont pas placées correctement dans le protecteur d'embout de la buse.
Le pistolet de pulvérisation ne fonctionne pas	L'embout de pulvérisation est encrassé	Tourner l'embout de pulvérisation de 180° et pulvériser afin de le nettoyer
	Le filtre du pistolet de pulvérisation est encrassé	Nettoyer ou remplacer le filtre du pistolet de pulvérisation
	L'embout de pulvérisation n'est pas complètement appuyé dans le protecteur d'embout	Réassembler le tout en suivant les directives sur l'assemblage du protecteur d'embout et de l'embout de pulvérisation
La forme du jet est faible ou inégale	La pression est réglée à « LOW » (faible)	Ajuster le régulateur de pression à un niveau plus élevé
	Le pistolet de pulvérisation ou le filtre du tuyau du filtre est encrassé	Nettoyer ou remplacer les filtres
	Le tube du filtre est desserré à l'endroit de la valve d'entrée	Serrer le raccord du tube
	L'embout de pulvérisation est usé	Remplacer l'embout de pulvérisation
	L'enduit pulvérisé est trop épais	Suivre les directives du fabricant pour diluer l'enduit, au besoin
	Perte de pression	Consulter la section intitulée « cause/solutions possibles » pour le problème suivant : « Le moteur semble fonctionner correctement, mais la pression diminue lorsqu'on appuie sur le pistolet de pulvérisation »

ÍNDICE DE CONTENIDO

■ Introducción.....	2
■ Garantía.....	2
■ Reglas de seguridad generales.....	3
■ Reglas de seguridad específicas.....	4
■ Símbolos.....	5
■ Aspectos eléctricos.....	6
■ Características.....	7
■ Armado.....	8-9
■ Funcionamiento.....	9-12
■ Mantenimiento.....	13
■ Corrección de problemas.....	14-15
■ Pedidos de piezas / Servicio.....	Pág. posterior

INTRODUCCIÓN

Este producto ofrece numerosas características para hacer más agradable y placentero su uso. En el diseño de este producto se ha conferido prioridad a la seguridad, el desempeño y la fiabilidad, por lo cual se facilita su manejo y mantenimiento.

GARANTÍA

ROCIADOR DE PINTURA SIN AIRE GARANTÍA LIMITADA DE DOS AÑOS

Se garantiza sólo al comprador original de un rociador de pintura sin aire MILWAUKEE que el producto no presenta defectos en material ni mano de obra. En un plazo de dos (2) años a partir de la fecha de compra y sujeto a ciertas excepciones, MILWAUKEE reparará o reemplazará cualquier parte de su rociador de pintura sin aire que presenta defectos en material o mano de obra. Para que esta garantía se mantenga vigente, se requiere la devolución del producto y una copia de la factura de compra a un centro de servicio autorizado para brindar el servicio de mantenimiento a los rociadores de pintura sin aire MILWAUKEE (un "centro de mantenimiento autorizado por MILWAUKEE para el rociador de pintura sin aire"), con gastos de envío prepagados y asegurados. Esta garantía no se aplica a los daños ocasionados por reparaciones o intentos de reparación por parte de alguien que no pertenezca al centro de mantenimiento autorizado para el rociador de pintura sin aire, uso indebido, alteraciones, abuso, desgaste y deterioro normal, falta de mantenimiento o accidentes.

No se necesita un registro de garantía para obtener la garantía correspondiente al rociador de pintura sin aire MILWAUKEE. Sin embargo, se requiere un comprobante de la compra, como un recibo de venta u otra información que MILWAUKEE considere suficiente. La fecha de fabricación del producto se utilizará para determinar el periodo de garantía si no se presenta un comprobante de compra en el momento en que se solicita el servicio de garantía.

LA ACEPTACIÓN DE LOS DERECHOS A REPARACIÓN Y REEMPLAZO EXCLUSIVAMENTE DESCRITOS EN EL PRESENTE DOCUMENTO CONSTITUYE UNA CONDICIÓN DEL CONTRATO POR LA COMPRA DE CADA PRODUCTO MILWAUKEE. SI NO ACEPTA ESTA CONDICIÓN, NO DEBE COMPRAR EL PRODUCTO. MILWAUKEE NO SERÁ EN NINGÚN CASO RESPONSABLE DE DAÑOS INCIDENTALES, ESPECIALES, CONSECUENTES O PUNITIVOS, NI DE COSTOS, HONORARIOS DE ABOGADOS, GASTOS, PÉRDIDAS O DEMORAS SUPUESTAMENTE CAUSADOS COMO CONSECUENCIA DE CUALQUIER DAÑO, FALLA O DEFECTO EN CUALQUIER PRODUCTO, INCLUIDOS, PERO NO LIMITADOS A, RECLAMOS POR PÉRDIDA DE GANANCIAS. ALGUNOS ESTADOS NO PERMITEN LA EXCLUSIÓN O LA LIMITACIÓN DE DAÑOS INCIDENTALES O CONSECUENTES. POR LO TANTO, LAS LIMITACIONES Y EXCLUSIONES ANTERIORES PUEDEN NO APLICARSE PARA USTED. ESTA GARANTÍA ES EXCLUSIVA Y SUSTITUYE A TODAS LAS OTRAS GARANTÍAS EXPRESAS, ESCRITAS U ORALES. SEGÚN LO PERMITA LA LEY, MILWAUKEE SE EXIME DE TODA GARANTÍA IMPLÍCITA, INCLUIDA, PERO NO LIMITADA A, TODA GARANTÍA IMPLÍCITA DE COMERCIABILIDAD O IDONEIDAD PARA UN USO O PROPÓSITO EN PARTICULAR; EN LA MEDIDA EN QUE DICHA RENUNCIA NO ESTÉ PERMITIDA POR LA LEY, DICHAS GARANTÍAS IMPLÍCITAS ESTÁN LIMITADAS A LA DURACIÓN DE LA GARANTÍA EXPRESA APLICABLE SEGÚN SE DESCRIBE ANTERIORMENTE. ALGUNOS ESTADOS NO PERMITEN LIMITACIONES EN LA DURACIÓN DE UNA GARANTÍA IMPLÍCITA. POR LO TANTO, LA LIMITACIÓN ANTERIOR PUEDE NO APLICARSE PARA USTED. ESTA GARANTÍA LE OTORGA DERECHOS LEGALES ESPECÍFICOS Y TAMBIÉN PUEDE TENER OTROS DERECHOS QUE VARIAN DE ESTADO EN ESTADO.

Esta garantía se aplica a los productos vendidos en los EE. UU., Canadá y México.

PARA OBTENER SERVICIO: Devuelva su rociador de pintura sin aire MILWAUKEE, embalado adecuadamente y con envío con franqueo prepagado, a un centro de mantenimiento para el rociador de pintura sin aire autorizado por MILWAUKEE a fin de obtener servicio de garantía y fuera de garantía. Para conocer la ubicación del centro de mantenimiento para los rociadores de pintura sin aire MILWAUKEE más cercano, llame al 1-877-203-0880 o consulte la categoría Rociador de pintura sin aire en el sitio web de MILWAUKEE en www.milwaukeetool.com.

REGLAS DE SEGURIDAD GENERALES



ADVERTENCIA:

GUARDE ESTAS INSTRUCCIONES. Para reducir el riesgo de incendio o explosión, descarga eléctrica, y la lesiones a personas, lea y comprenda todas instrucciones incluidas en este manual. Familiarícese con todos los controles y la forma correcta de utilizar la equipo.

LEA TODAS LAS INSTRUCCIONES.

- **FAMILIARÍCESE CON SU HERRAMIENTA ELÉCTRICA.** Lea cuidadosamente el manual del operador. Aprenda sus usos y limitaciones, así como los posibles peligros específicos de esta herramienta.

ADVERTENCIA: Para reducir el riesgo de estallido o explosión:

- No rocíe materiales inflamables ni combustibles cerca de llamas abiertas o fuentes de ignición, como cigarrillos, motores y equipos eléctricos.
- No rocíe ni limpie con líquidos que tengan un punto de inflamación menor a 60 °C (140 °F) las unidades diseñadas para ser utilizadas sólo con materiales a base de agua o de un tipo de alcohol mineral con un punto de inflamación mínimo de 60 °C (140°F).
- La pintura o el solvente que fluyen a través del equipo pueden generar electricidad estática. La electricidad estática produce un riesgo de incendio o explosión en presencia de emanaciones de pintura o de solvente. Todas las partes del sistema rociador, incluida la bomba, el conjunto de mangueras, el rociador y los objetos situados dentro y alrededor del área de rociado, deberán tener una descarga a tierra adecuada para protegerlas contra descargas de estática y chispas.
- Use únicamente mangueras de alta presión para rociadores de pintura a presión de materiales conductores o con conexión a tierra especificadas por el fabricante.
- Verifique que todos los contenedores y sistemas de recolección tengan conexión a tierra para evitar descargas estáticas.
- Conecte la unidad a una toma de corriente con conexión a tierra y utilice cordones de extensión con conexión a tierra. No utilice un adaptador de 3 a 2.
- No use una pintura o un solvente que contenga hidrocarburos halogenados.
- Mantenga el área de rociado bien ventilada. Mantenga una buena circulación de aire fresco en el área. Mantenga el conjunto de la bomba en un área bien ventilada. No rocíe el conjunto de la bomba.
- No fume en el área donde se área de rociado.
- No utilice interruptores de luz, motores o productos similares que produzcan chispas en el área donde se área de rociado.
- Mantenga el área limpia y sin contenedores de pintura o solvente, trapos y otros materiales inflamables.
- Conozca el contenido de las pinturas y los solventes que se rocían. Lea todas las hojas de datos sobre la seguridad de materiales (MSDS) y las etiquetas de los contendores que se proveen con las pinturas y los solventes. Siga las instrucciones de seguridad del fabricante de la pintura y el solvente.
- Tenga a mano un extinguidor de incendios que funcione.

ADVERTENCIA: Para reducir el riesgo de inyección:

- No apunte la boquilla ni rocíe en dirección a personas ni animales.
- Mantenga las manos y demás partes del cuerpo lejos de la descarga. Por ejemplo, no intente detener fugas con ninguna parte del cuerpo.
- Use siempre la protección para la punta de la boquilla. No rocíe sin la protección para la punta de la boquilla.
- Utilice únicamente una punta de rociado especificada por el fabricante.
- Tenga precaución al limpiar y cambiar las puntas de rociado. En el caso en que la punta de rociado se obstruya durante el rociado, siga las instrucciones del fabricante para apagar la unidad y aliviar la presión antes de retirar la punta de rociado para limpiarla.
- No deje la unidad conectada a la corriente ni bajo presión mientras está desatendida. Cuando no use la unidad, apáguela y alivie la presión de conformidad con las instrucciones del fabricante.
- El rociado a alta presión puede inyectar toxinas en el cuerpo y provocar lesiones corporales graves. En el caso en que se produzca la inyección, busque atención médica de inmediato.
- Inspeccione que las mangueras y las piezas no muestren señales de daño. Reemplace cualquier manguera o pieza dañada.
- Este sistema es capaz de producir 19 305,32 kPa (2 800 psi). Utilice solamente piezas o accesorios de repuesto especificados por el fabricante y que tengan una capacidad nominal de 20 684,84 kPa (3 000 psi), como mínimo.
- Accione siempre el seguro del gatillo cuando no esté rociando. Verifique que el seguro del gatillo esté funcionando correctamente.
- Antes de hacer funcionar la unidad, verifique que todas las conexiones sean seguras.
- Sepa cómo detener la unidad rápidamente. Familiarícese completamente con los controles.
- Para uso doméstico únicamente.

ADVERTENCIA: Para reducir el riesgo de lesiones:




- Cuando esté pintando, use siempre protección ocular adecuada con la marca de cumplimiento de la norma ANSI Z87.1 y un respirador o máscara.
- No utilice la unidad ni rocíe cerca de los niños. Mantenga alejados a los niños del equipo en todo momento.
- No se estire demasiado ni se pare sobre un soporte inestable. Mantenga los pies bien asentados y el equilibrio en todo momento.
- Permanezca alerta y preste atención a lo que esté haciendo.
- No use la unidad si está cansado o se encuentra bajo los efectos de alguna droga o del alcohol.
- No retuerza ni doble en exceso la manguera.
- No exponga la manguera a temperaturas o presiones que excedan las especificadas por el fabricante.
- No use la manguera como un elemento de fuerza para tirar del equipo o levantarlo.

REGLAS DE SEGURIDAD ESPECÍFICAS






- **Mantenga las protecciones en su lugar** y en buenas condiciones de trabajo. Nunca utilice la herramienta con ninguna de las protecciones o cubiertas quitadas. Asegúrese de que todas las protecciones estén funcionando de forma correcta antes de utilizar la unidad.
- **Para reducir el riesgo de lesiones**, mantenga a alejados a niños y demás circunstantes. Todos los presentes deben llevar puestos anteojos de seguridad y permanecer a una distancia segura del área de trabajo.
- **Mantenga alejadas del área de trabajo a todas las personas**, particularmente a los niños de corta edad, y también a las mascotas.
- **Use la herramienta adecuada a la tarea.** No fuerce la herramienta ni ningún accesorio a efectuar tareas para las que no están hechos. No la use para propósitos no indicados en las instrucciones.
- **No accione el equipo cuando esté descalzo o al llevar puestas sandalias o calzado liviano similar.** Use calzado de seguridad que le proteja sus pies y mejore su postura en superficies resbaladizas.
- **Tenga suma precaución para evitar resbalarse o caer.**
- **Siempre póngase protección ocular con protección lateral con la marca de cumplimiento de la norma ANSI Z87.1.** La inobservancia de esta advertencia podría ocasionar la entrada de fluidos en sus ojos y provocar lesiones graves.
- **Utilice sólo accesorios recomendados.** El empleo de accesorios inadecuados puede presentar riesgos de lesiones.
- **Siga las instrucciones de la mantenimiento especificadas en este manual.**
- **Inspeccione las piezas dañadas.** Antes de seguir utilizando la herramienta, es necesario inspeccionar cuidadosamente toda protección o pieza dañada para determinar si funcionará correctamente y desempeñará la función a la que está destinada. Verifique la alineación de las partes móviles, que no haya atoramiento de las mismas, que no haya piezas rotas, el montaje de las piezas y cualquier otra condición que pudiera afectar su funcionamiento. Toda protección o pieza que esté dañada debe repararse apropiadamente o reemplazarse en un centro de servicio autorizado.
- **Nunca deje desatendida ninguna herramienta en funcionamiento. Apague la herramienta.** No se aleje de la herramienta hasta no verla completamente detenida.
- **Siga las recomendaciones del fabricante para cargar, descargar, transportar y guardar la máquina en forma segura.**
- **Familiarícese completamente con los controles.** Aprenda a detener la máquina y a liberar rápidamente la presión.
- **Mantenga la herramienta seca, limpia y libre de aceite y grasa.** Siempre utilice un paño limpio para la limpieza de la unidad. Nunca utilice fluidos para frenos, gasolina, productos a base de petróleo ni solventes para limpiar la herramienta.
- **No utilice la herramienta si el interruptor no apaga.** Lleve todo interruptor defectuoso a un centro de servicio autorizado para que lo reparen.
- **Antes de limpiar, reparar o inspeccionar la máquina,** apague el motor libere presión y cerciórese de que se hayan detenido todas las partes en movimiento.
- **Evite tener un entorno de trabajo peligroso.** No utilice herramientas eléctricas en lugares húmedos o mojados ni las exponga a la lluvia. Mantenga bien iluminada el área de trabajo.
- **Nunca dirija un chorro de agua en dirección de personas o animales, ni hacia dispositivos eléctricos.**
- **Nunca ponga en marcha la máquina** si se ha formado hielo en cualquier parte del equipo.
- **ADVERTENCIA: Los chorros de alta presión pueden ser peligrosos si se utilizan indebidamente.** Nunca dirija el chorro a personas, animales, dispositivos eléctricos ni a la máquina misma.
- **Evite el contacto con las partes calientes de la unidad.**
- **Antes de cada uso, inspeccione los pernos y las tuercas** para verificar que están apretados. Una tuerca o perno sueltos pueden causar problemas graves en el motor.
- **Antes de guardar deje que se enfríe el producto.**
- **Guarde la unidad en un lugar frío y bien ventilado,** a una distancia segura de todo equipo generador de chispas o llamas.
- **Al dar servicio a la unidad, sólo utilice piezas de repuesto idénticas.** El empleo de piezas diferentes puede causar un peligro o dañar el producto.
- **Nunca utilice el rociador sin la punta de rociado instalada.**
- **Una lesión por inyección puede ocasionar una posible amputación.** Consulte a un médico de inmediato.
- **Nunca coloque la mano delante de la punta de rociado cuando use la unidad.** Los guantes no siempre brindan protección contra lesiones por inyección.
- **Cuando utilice la unidad, use ropa de protección que no permita que la pintura entre en contacto con la piel ni el cabello, junto con una máscara o un respirador.** Las pinturas, los solventes y otros materiales pueden ser dañinos si se inhalan o si entran en contacto con el cuerpo.
- **Siempre desenchufe el estación de pintura, apague la unidad y libere presión antes de dar servicio a la unidad, limpiar la punta o la protección, cambiar la punta o dejar desatendida la unidad.**
- **El plástico puede provocar chispas. Nunca utilice plástico para cercar un área de rociado.** No use protecciones de plástico al rociar materiales inflamables.
- **No rocíe en exteriores en días ventosos.**
- **No intente limpiar ni destapar la punta de rociado con el dedo.**
- **Asegúrese de que esté en buen estado el cordón de extensión.** Al utilizar un cordón de extensión, utilice uno del suficiente calibre para soportar la corriente que consume el producto. Se recomienda que los conductores sean de calibre 12 (A.W.G.) por lo menos, para un cordón de extensión de 50 pies (15 metros) de largo o menos. No se recomienda utilizar un cordón de más de 100 pies (30 metros) de largo. Si tiene dudas, utilice un cordón del calibre más grueso siguiente. Cuanto menor es el número de calibre, mayor es el grueso del cordón. Un cordón de un calibre insuficiente causa una caída en el voltaje de línea, y produce calentamiento y pérdida de potencia.
- **Guarde estas instrucciones.** Consúltelas frecuentemente y utilícelas para instruir a otros usuarios. Si presta a alguien esta herramienta, facilítele también las instrucciones.

SÍMBOLOS

Las siguientes palabras de señalización y sus significados tienen el objeto de explicar los niveles de riesgo relacionados con este producto.

SÍMBOLO	SEÑAL	SIGNIFICADO
	PELIGRO:	Indica una situación peligrosa inminente, la cual, si no se evita, causará la muerte o lesiones serias.
	ADVERTENCIA:	Indica una situación peligrosa posible, la cual, si no se evita, podría causar la muerte o lesiones serias.
	PRECAUCIÓN:	Indica una situación potencialmente peligrosa la cual, si no se evita, puede causar lesiones leves o moderadas.
	PRECAUCIÓN:	(Sin el símbolo de alerta de seguridad) Indica una situación que puede producir daños materiales.

Es posible que se empleen en este producto algunos de los siguientes símbolos. Le suplicamos estudiarlos y aprender su significado. Una correcta interpretación de estos símbolos le permitirá utilizar mejor y de manera más segura el producto.

SYMBOL	NAME	DESIGNATION/EXPLANATION
	Alerta de seguridad	Indica un peligro posible de lesiones personales.
	Lea el manual del operador	Para reducir el riesgo de lesiones, el usuario debe leer y comprender el manual del operador.
	Protección ocular	Siempre póngase protección ocular con protección lateral con la marca de cumplimiento de la norma ANSI Z87.1.
	Riesgo de inyección	Para reducir el riesgo de inyección o lesiones, nunca dirija un chorro de líquido hacia personas o mascotas ni ponga ninguna parte del cuerpo en el chorro. Las fugas presentes en mangueras y adaptadores también pueden causar lesiones por inyección. No sujete las mangueras ni los adaptadores.
V	Voltios	Voltaje
PSI	Libras por pulgada cuadrada	Presión del líquido
GPM	Galones por minuto	Cantidad de líquido usada por minuto de uso continuo.
A	Amperios	Corriente
Hz	Hertz	Frecuencia (ciclos por segundo)
min	Minutos	Tiempo
~	Corriente alterna	Tipo de corriente
n _o	Velocidad en vacío	Velocidad de rotación, en vacío
	Herramienta Clase II	Fabricación con doble aislamiento
.../min	Por minuto	Revoluciones, carreras, velocidad superficial, órbitas, etc., por minuto

ASPECTOS ELÉCTRICOS

CABLES DE EXTENSIÓN

Sólo utilice cables de extensión de 3 conductores con clavijas de tres puntas y contactos de tres polos que acepten la clavija del cable de la herramienta. Si la herramienta eléctrica debe situarse a una distancia importante de la toma de corriente, asegúrese de que el cable de extensión que utilice tenga el grosor suficiente para soportar el consumo de corriente de la herramienta. Un cable de extensión de un grueso insuficiente causará caída del voltaje de la línea, además de producir pérdida de potencia y recalentamiento del motor. Básese en la tabla que se presenta abajo para calcular el calibre mínimo requerido de los conductores del cable de extensión. Solamente deben utilizarse cordones con forro redondo registrados en Underwriter's Laboratories (UL).

**Amperaje (aparece en la placa de datos de la herramienta)

0-2,0 2,1-3,4 3,5-5,0 5,1-7,0 7,1-12,0 12,1-16,0

Longitud del cordón	Calibre conductores (AWG)					
	16	16	16	16	14	14
25'	16	16	16	16	14	14
50'	16	16	16	14	14	12
100'	16	16	14	12	10	—

**Se usa en los circuitos de calibre 12, de 20 amperes.

NOTA: AWG = American Wire Gauge

Al trabajar con la herramienta a la intemperie, utilice un cable de extensión fabricado para uso en exteriores. Tal característica está indicada con las letras "W-A" o "W" en el forro del cable. Antes de utilizar un cable de extensión, inspecciónelo para ver si tiene conductores flojos o expuestos y aislamiento cortado o gastado.

⚠ ADVERTENCIA:

Mantenga el cable de extensión fuera del área de trabajo. Al trabajar con una herramienta eléctrica, coloque el cable de tal manera que no pueda enredarse en la madera, herramientas ni otros obstáculos. La falta de atención a esta advertencia puede redundar en lesiones graves.

⚠ ADVERTENCIA:

Inspeccione los cables de extensión cada vez antes de usarlos. Si están dañados, reemplácelos de inmediato. Nunca utilice la herramienta con un cable dañado, ya que si toca la parte dañada puede sufrir una descarga eléctrica, con las consecuentes lesiones graves.

CONEXIÓN ELÉCTRICA

Esta herramienta está impulsada por un motor eléctrico fabricado con precisión. Debe conectarse únicamente a **una línea de voltaje de 120 V, de corriente alterna (corriente normal para uso doméstico), 60 Hz**. No utilice esta herramienta con corriente continua (c.c.). Una caída considerable de voltaje causa pérdida de potencia y recalentamiento del motor. Si la sierra no funciona al conectarla en una toma de corriente, vuelva a revisar el suministro de corriente.

INSTRUCCIONES DE CONEXIÓN A TIERRA

Este producto debe conectarse a tierra. En caso de un mal funcionamiento o desperfecto, la conexión a tierra brinda a la corriente eléctrica una trayectoria de mínima resistencia para disminuir el riesgo de una descarga eléctrica. Esta herramienta está equipada de un cordón eléctrico con un conductor y una clavija de conexión a tierra para equipo. La clavija debe conectarse en una toma de corriente igual que esté instalada y conectada a tierra correctamente, de conformidad con los códigos y reglamentos de la localidad.

No modifique la clavija suministrada. Si no entra en la toma de corriente, llame a un electricista calificado para que instale una toma de corriente adecuada.

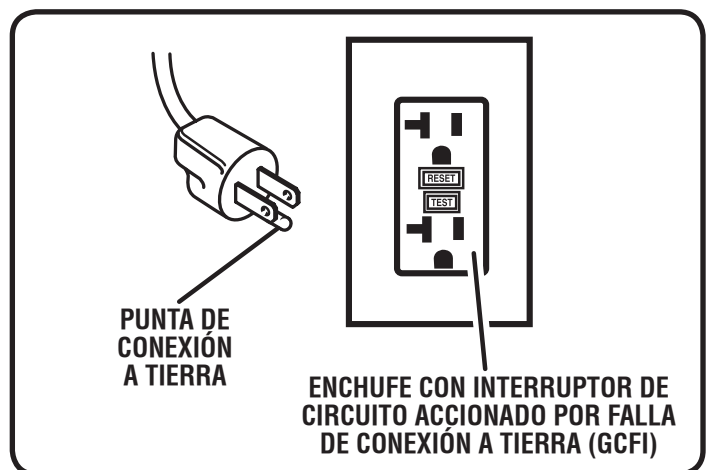
⚠ ADVERTENCIA:

Si se conecta de forma incorrecta el conductor de conexión a tierra del equipo puede presentarse un riesgo de descarga eléctrica. Si es necesaria la reparación o reemplazo del cordón eléctrico o de la clavija, no conecte el conductor de conexión a tierra a una terminal portadora de corriente. El conductor con aislamiento que tiene una superficie exterior verde con o sin tiras amarillas es el conductor de conexión a tierra del equipo.

Consulte a un electricista calificado o técnico de servicio si no ha comprendido completamente las instrucciones de conexión a tierra o si no está seguro si la herramienta está bien conectada a tierra.

Repare o reemplace de inmediato todo cordón dañado o gastado.

Este producto se debe usar con un circuito de 120 V nominales y tiene una clavija de conexión a tierra similar a la clavija que se muestra en la ilustración debajo. Conecte el producto únicamente a una toma de corriente que tenga la misma configuración que la clavija. No use un adaptador con este producto.



CARACTERÍSTICAS

ESPECIFICACIONES DEL PRODUCTO

Caudal 0,91 lpm (0,31 GPM)
Presión de fluidos.....
55,16 kPa - 20 685 kPa (800-3 000 PSI)

Presión de aire20685 kPa (3 000 PSI)
Corriente de entrada 120 V, sólo corr. alt., 60 Hz, 15 A
Peso 18,6 kg (41 lb)

CONOZCA SU ROCIADOR DE PINTURA SIN AIRE

Vea la figura 1.

El uso seguro que este producto requiere la comprensión de la información impresa en la herramienta y en el manual del operador así como ciertos conocimientos sobre el proyecto a realizar. Antes de usar este producto, familiarícese con todas las características de funcionamiento y normas de seguridad.

BOMBA DE PISTONES DE 20685 kPa (3 000 PSI)

Mantiene la presión según sea necesario para las diferentes aplicaciones.

MANGUERA DE ALTA PRESIÓN DE 7,62 M (25 PIES)

La manguera de alta presión de 7,62 m (25 pies) le permite al usuario rociar un área mayor sin mover el rociador de la pintura.

MODO DE ROCIADO SIN AIRE

El fluido presurizado que se mueve a través de la boquilla rociadora será atomizado a medida que se rocía.

BANDEJA DE CUBETA

Compatible con un recipiente de hasta 18,93 l (5 gal.).

PANEL DE CONTROL

Interfaz sencillo con todos los controles convenientemente ubicados.

ROCIADOR CON EMPUÑADURA DE PISTOLA DUAL-ACTION™

El rociador con empuñadura de pistola DUAL-ACTION™ se cambia fácilmente entre aplicaciones sin aire y de acabado fino.

CORREA ELÁSTICA

Ayuda a asegurar la cubeta de la pintura al cuerpo del rociador.

TECNOLOGÍA PARA ROCIADO DE ACABADO

La turbina de dos etapas genera una pulverización de gran volumen y baja presión (HVLP) para aplicaciones de acabado fino.

MANGO PLEGABLE

El mango se pliega para un almacenamiento adecuado.

FILTRO DE ENTRADA

El filtro de entrada evita que los desechos entren al sistema de pintura.

ALMACENAMIENTO DE ACCESORIOS EN LA UNIDAD

La bolsa de almacenamiento desmontable ofrece un compartimiento adecuado para el rociador con empuñadora de pistola, las puntas rociadoras, el adaptador de la manguera, la manguera de alta presión y otros accesorios.

CONTROL DE LA PRESIÓN VARIABLE

- La presión más baja es para cebar, limpiar y para materiales más delgados y rociado de acabado.
- La presión más alta es ideal para aplicaciones de látex y de rociado sin aire.

SELECTOR PARA ROCIAR/CEBAR

Le permite cambiar del modo CEBAR al modo ROCIAR.

PUNTAS ROCIADORAS REVERSIBLES

La unidad incluye dos puntas rociadoras reversibles que desbloquean rápidamente obturaciones de pintura.

BOLSA PARA ALMACENAMIENTO DESMONTABLE

La bolsa para almacenamiento desmontable se puede utilizar para almacenar las puntas rociadoras y otros accesorios cuando estos artículos no estén en uso.

ARMADO

DESEMPAQUETADO

Este producto requiere armarse.

- Extraiga cuidadosamente de la caja la producto y los accesorios. Asegúrese de que estén presentes todos los artículos enumerados en la lista de empaquetado.

ADVERTENCIA:

No utilice este producto si alguna pieza incluida en la lista de empaquetado ya está ensamblada al producto cuando lo desempaqueta. El fabricante no ensambla las piezas de esta lista en el producto. Éstas deben ser instaladas por el usuario. El uso de un producto que puede haber sido ensamblado de forma inadecuada podría causar lesiones personales graves.

- Inspeccione cuidadosamente la producto para asegurarse de que no haya sufrido ninguna rotura o daño durante el transporte.
- No deseche el material de empaquetado hasta que haya inspeccionado cuidadosamente la producto y la haya utilizado satisfactoriamente.
- Si hay piezas dañadas o faltantes, le suplicamos llamar al 1-877-203-0880, donde le brindaremos asistencia.

LISTA DE EMPAQUETADO

Vea la figura 2.

Descripción	Cant.
Filtro del recipiente de pintura de 18,93 l (5 gal.)	1
Rociador con empuñadura de pistola DUAL-ACTION™ con protección de la punta de la boquilla	1
Rueda	2
Eje	2
Arandela	2
Pasador del enganche	2
Manguera de aire de 7,62 m (25 pies)	1
Manguera de alta presión con conexión a tierra de 7,62 m (25 pies)	1
Punta de rociado invertible 310	1
Punta de rociado invertible 619	1
Accesorio para manguera de jardín	1
Correa elástica	1
Manual del operador (no se ilustra)	1

ADVERTENCIA:

Si falta o está dañada alguna pieza, no utilice este producto sin haber reemplazado la pieza. Usar este producto con partes dañadas o faltantes puede causar lesiones serias al operador.

ADVERTENCIA:

No intente modificar esta herramienta ni hacer accesorios no recomendados para ella. Cualquier alteración o modificación constituye un uso indebido, y puede crear una situación peligrosa que culmine en lesiones corporales graves.

ADVERTENCIA:

No conecte la unidad a la toma de corriente antes de terminar de armarla. De lo contrario, la unidad puede ponerse en marcha accidentalmente, con el consiguiente riesgo de lesiones graves.

HERRAMIENTAS NECESARIAS

Llave ajustable

INSTALACIÓN DE LAS RUEDAS

Vea la figura 3.

Para fijar las ruedas a la base:

- Localice de eje.
- Pase el eje dentro del agujero de la rueda. Deslice la arandela por el eje.
- Levantando levemente la estación de pintura, deslice el eje, la rueda y la pequeña arandela dentro del agujero de montaje de la rueda en la base de la máquina.
- Empuje el pasador de enganche dentro del agujero en el extremo del eje para fijar el conjunto.
- Repita el proceso para armar la segunda rueda.

PLEGADO DEL MANGO

Vea la figura 4.

- **Para levantar el mango:** tire del mango hacia arriba hasta que la perilla de liberación del mango atraviese a presión el agujero de fijación para fijar el mango en su lugar.
- **Para bajar el mango (para guardar la unidad):** tire de la perilla de liberación del mango en el lado derecho del mango y bájelo.

ADVERTENCIA:

Nunca use el mango para levantar el rociador de pintura. La inobservancia de esta advertencia podría causar lesiones personales serias.

CONEXIÓN DE LA MANGUERA DE ALTA PRESIÓN/ROCIADOR CON EMPUÑADURA DE PISTOLA DUAL-ACTION™

Vea la figura 5.

Para conectar la manguera de alta presión a la estación de pintura:

- Atornille el anillo de la manguera de alta presión en la toma de corriente de la conexión de la pintura ubicada en la panel de control.
- Apriételo firmemente con una llave ajustable.

Para conectar el rociador con empuñadura de pistola DUAL-ACTION™ a la manguera de alta presión:

- Enrosque el collarín de la manguera de alta presión en el rociador con empuñadura de pistola girando el collarín de la manguera hacia la derecha.
- Use una llave ajustable para sujetar la tuerca al rociador con empuñadura de pistola y otra para girar y apretar la tuerca en el extremo de la manguera y apretarla firmemente.

ARMADO

INSTALACIÓN DE LA PROTECCIÓN DE LA PUNTA DE LA BOQUILLA EN EL ROCIADOR CON EMPUÑADURA DE PISTOLA DUAL-ACTION™

Vea las figura 6 - 7.

Vea las instrucciones para el operador sobre lavado, cebado y limpieza **antes** de instalar la protección para la punta de la boquilla y la punta de rociado. Tenga en cuenta todas las advertencias sobre el rociador con empuñadura de pistola y la posibilidad de inyección.

- Para trabar el gatillo del rociador, presione la palanca de desbloqueo.
- Desenrosque la protección de la punta de la boquilla.
NOTA: Las piezas pequeñas dentro de la protección de la punta se pueden caer fácilmente y salirse de su lugar. Siempre quite la protección de la punta de la boquilla cuidadosamente.
- Inserte el anillo de la punta en la protección de la punta de la boquilla mientras alinea los agujeros.

- Inserte la punta del rociador reversible que desee en la protección de la punta de la boquilla, asegurando el anillo en su lugar.
- Inserte el carro portaherramientas de metal en la protección de la punta de la boquilla. El carro portaherramientas de metal debe estar firmemente asentado en la punta del rociador reversible.
- Inserte el lado estriado de la junta de goma hacia abajo dentro del carro portaherramientas en la protección de la punta de la boquilla.
- Enrosque el conjunto de la protección de la punta de la boquilla en el rociador y ajuste firmemente.
- Presione la punta del rociador firmemente dentro de la protección de la punta de la boquilla.
- Mantenga el gatillo del rociador con empuñadura de pistola con el seguro cuando no esté en uso.

FUNCIONAMIENTO

ADVERTENCIA:

No permita que su familiarización con este producto le vuelva descuidado. Tenga presente que un descuido de un instante es suficiente para causar una lesión grave.

ADVERTENCIA:

Siempre póngase protección ocular con protección lateral con la marca de cumplimiento de la norma ANSI Z87.1. La inobservancia de esta advertencia podría ocasionar la entrada de fluidos en sus ojos y provocar lesiones graves.

ADVERTENCIA:

No utilice ningún aditamento o accesorio no recomendado por el fabricante de esta herramienta. El empleo de aditamentos o accesorios no recomendados podría causar lesiones serias.

ADVERTENCIA:

Para reducir el riesgo de inyección, **NUNCA** cambie la punta del rociador sin antes activar el bloqueo en la empuñadura de la pistola del rociador y **NUNCA** apunte el rociador hacia ninguna parte del cuerpo, personas ni hacia la unidad misma. En el caso de inyección en la piel, busque atención médica de inmediato. La inobservancia de esta indicación podría causar lesiones personales serias.

COLOCACIÓN DEL SEGURO AL ROCIADOR CON EMPUÑADURA DE PISTOLA DUAL-ACTION™

Vea la figura 6.

Siempre coloque el seguro del gatillo del rociador cuando deje de rociar para evitar que el rociador se golpee o se accione accidentalmente y cause la inyección.

- Para trabar el gatillo del rociador, presione la palanca de desbloqueo.
- Para destrabar el gatillo, presione la palanca de desbloqueo hacia el mango.

PROCEDIMIENTO DE ALIVIO DE PRESIÓN

Siga siempre este procedimiento al apagar el rociador de pintura de acabado/sin aire por cualquier razón. Este procedimiento alivia la presión de la manguera de alta presión.

- Para trabar el gatillo del rociador, presione la palanca de desbloqueo.
- Cambie el interruptor ALTO/APAGADO/ACABADO a APAGADO.
- Coloque la palanca de cebado/rociado en la posición de CEBADO. Esto suelta bomba presión.
- Para destrabar el gatillo, presione la palanca de desbloqueo hacia el mango y libere la pintura o el tinte que no haya utilizado dentro del contenedor. Esto suelta presión en la manguera y rociador con empuñadura de pistola.
- Para trabar el gatillo del rociador, presione la palanca de desbloqueo.

ACCESORIOS

Todos los accesorios que se usan con este producto deben tener una capacidad nominal mínima de 22064 kPa (3,200 psi). Antes de usar cualquier accesorio con este producto, asegúrese de que sea compatible y apto.

ADVERTENCIA:

Riesgo de incendio o explosión. El área de rociado debe estar bien ventilada y lejos de chispas o llamas. La inobservancia de esta advertencia puede causar lesiones serias.

USOS

Este producto puede emplearse para el fines enumerado abajo:

- Pintura y tinturas para exterior, para plataformas de madera, muebles de exterior, cercas, revestimiento y pintura para aplicar con rociador en paredes, armazones y puertas de interior o exterior.

FUNCIONAMIENTO

- Deje la palanca de cebado/rociado en la posición de CEBADO hasta estar listo para rociar de nuevo.

LAVADO DE LA ESTACIÓN DE PINTURA

Antes de usar el rociador de pintura por primera vez, antes de comenzar un nuevo proyecto o al cambiar de color, es importante lavar bien la estación de pintura para retirar todo el líquido acumulado, el líquido de limpieza usado antes o el material que haya quedado en el sistema. Siga las instrucciones para la **Limpieza de la estación de pintura** antes de comenzar cualquier proyecto.

MONTAJE Y CEBADO

Vea las figuras 8 a 10.

El usuario debe cebar la unidad antes de utilizar el rociador. La manguera de fluidos de alta presión debe acoplarse según se describe en la sección **Armado** de este manual.

- Coloque el recipiente de pintura deseada en la bandeja de pintura.
- Fije el contenedor con correa elástica. Coloque el filtro del recipiente de 18,93 l (5 gal.) en el recipiente.
NOTA: Esta unidad sujetará un recipiente de pintura de 18,93 l (5 gal.) o de 3,79 l (1 gal.).
- Asegurar el gatillo del rociador.
- Retire la protección para la punta de la boquilla y la punta de rociado del rociador con empuñadura de pistola.
- Coloque el tubo de entrada en la cubeta de pintura.
- Coloque el tubo de retorno dentro del recipiente de residuos.
- Coloque la palanca de cebado/rociado en la posición de CEBADO (PRIME).
- Cambie el control de la presión variable a CEBAR.
- Enchufe la estación de pintura.
- Cambie el interruptor ALTO/APAGADO/ACABADO a VELOCIDAD ALTA.
- Cuando comienza a fluir pintura o tinte limpia por el tubo de retorno, cambie el interruptor ALTO/APAGADO/ACABADO a APAGADO. Coloque el tubo de retorno dentro del contenedor de pintura, sujete el tubo de entrada y cambie el interruptor ALTO/APAGADO/ACABADO a VELOCIDAD ALTA.
- Apunte el rociador con empuñadura de pistola (sin la protección ni la punta de rociado) dentro del contenedor de desechos.
- Coloque la palanca de cebado/rociado en la posición de ROCIADO (SPRAY).
- Desasegure el gatillo del rociador.
- Rocíe dentro del contenedor de desechos hasta expulsar todo el aire, el agua y el líquido de limpieza y salga pintura únicamente.
NOTA: Cuando el motor se apaga, esto indica que la bomba y las mangueras están bajo presión. Si el motor continúa funcionando, vuelva a cebarlo colocando la palanca de cebado/rociado en la posición de CEBADO (PRIME).
- Asegurar el gatillo del rociador.
- Cambie el interruptor ALTO/APAGADO/ACABADO a APAGADO.
- Vuelva a colocar la protección para la punta de la boquilla y la punta de rociado invertible en el rociador con empuñadura de pistola (vea **Selección de la punta de rociado**).
- La unidad está lista para rociar.

SELECCIÓN DE UNA PUNTA ROCIADORA

Vea la figura 11.

Las puntas de rociado vienen con diversos tamaños de agujero y anchos de abanico.

Su unidad incluye dos puntas de rociado invertibles con un tamaño de agujero de 0,25 mm (0,010 pulg.) y 0,019 mm (0,48 pulg.) que son útiles para diversas aplicaciones. La punta rociadora 310 tiene un ventilador de un ancho de 152,4 mm a 203,2 mm (6 pulg. a 8 pulg.) y es lo mejor para aplicaciones de acabado fino. La punta rociadora 619 tiene un ventilador de un ancho de 304,80 mm a 355,60 mm (12 pulg. a 14 pulg.) y es lo mejor para aplicaciones sin aire.

TAMAÑO DEL AGUJERO: El tamaño del agujero de la punta de rociado determina el caudal, es decir, la cantidad de pintura que se descarga del rociador.

Un tamaño de agujero más grande es mejor para materiales de mayor espesor. Un tamaño de agujero más pequeño es mejor para materiales de menor espesor.

TAMAÑO DE ABANICO: El ancho de abanico determina el tamaño del patrón de rociado cuando se sostiene el rociador a, aproximadamente, 304,8 mm (12 pulg.) de la superficie que se desea pintar.

Un ancho de abanico estrecho proporciona una cobertura de material de mayor espesor y es más apropiado para áreas pequeñas y reducidas.

Un ancho de abanico amplio brinda una cobertura de material de menor espesor y proporciona una mejor cobertura en áreas grandes y extensas.

NÚMEROS DE LA PUNTA DE ROCIADO: Al seleccionar la punta de rociado, los últimos tres números del número de la punta de rociado contienen la información sobre el tamaño del agujero y el ancho del abanico.

Por ejemplo, si el número de la punta de rociado es 1415, el 4, al duplicarlo, es el ancho de abanico aproximado de la pintura cuando se aplica a 304,8 mm (12 pulg.) de la superficie. Los últimos dos números, 15, expresan el tamaño del agujero en pulgadas. En este caso, 0,381 mm (0,015 pulg.).

Tamaño de la punta de la manguera	Capas				
	Liviana		Media		Cargada
	Tintes	Es-maltes	Pinturas base	Pintura para interiores	Pintura para exteriores
0,011	•				
0,013	•	•			
0,015		•	•	•	
0,017			•	•	•
0,019			•	•	•
0,021					•

DESGASTE DE LA PUNTA DE ROCIADO: Es importante cambiar las puntas de rociado cuando se desgastan. Una punta de rociado desgastada provoca una aplicación de material y un acabado desparejos. Con el tiempo, el tamaño del agujero de la punta de rociado aumenta y el ancho de abanico de rociado disminuye.

Al usar pintura látex, las puntas de rociado deben cambiarse

FUNCIONAMIENTO

después de usar entre 56,78 l (15 gal.) y 151,4 l (40 gal.). Cuando use materiales a base de aceite, cambie las puntas de rociado después de usar entre 132,48 l (35 gal.) y 227,1 l (60 gal.).

Para prolongar la vida útil de sus puntas de rociado, use la configuración de presión más baja necesaria para aplicar una capa pareja de material.

ADVERTENCIA:

Esta es una unidad de alta presión. Para reducir el riesgo de lesiones, el usuario debe leer y comprender el manual del operador. Para reducir el riesgo de inyección, no apunte el rociador a ninguna parte del cuerpo, a otra persona ni a la unidad misma. En el caso de inyección en la piel, busque atención médica de inmediato. La inobservancia de esta indicación podría causar lesiones personales serias.

ROCIADO

Vea la figura 12.

- Asegúrese de que la superficie que se pintará no tenga polvo, suciedad ni grasa.
- Tape o cubra cualquier área que no deba ser pintada o teñida. Esté atento al viento que puede hacer que la pintura o el tinte se rocíen en áreas no deseadas. Utilice siempre protecciones de tela u otras cubiertas para proteger las áreas que no deban pintarse o teñirse.
- Seleccione la punta de rociado y asíéntela firmemente dentro de la protección para la punta de la boquilla. La flecha en la punta de rociado debe quedar orientada en la dirección de rociado.
- Asegurar el gatillo del rociador.
- Enchufe la estación de pintura.
- Unidad de cebado. Siga las instrucciones de **Montaje y cebado**.
- Cambie el interruptor ALTO/APAGADO/ACABADO a VELOCIDAD ALTA.
- Coloque la palanca de cebado/rociado en la posición de ROCIADO.
- Cambie el control de la presión variable a presión ALTA (+). La presión puede ajustarse hasta alcanzar el patrón de rociado y la cobertura deseados.
- Desasegure el gatillo del rociador. Comience a rociar.
NOTA: Si la punta de rociado se obstruye, el gatillo del rociador, gírela 180°, desasegure el gatillo del rociador y rocíe dentro del contenedor de desechos para despejar la obstrucción. Vuelva a colocar la punta de rociado en la posición de rociado y continúe rociando.
- Asegure el gatillo del rociador y siga el **Procedimiento de alivio de presión** cuando termine de rociar o se detenga por cualquier razón.

CONSEJOS PARA PINTAR

Vea las figuras 13 a 14.

- Practique rociar sobre un pedazo de material de desecho para probar su patrón de rociado antes de comenzar. Si no puede lograr un buen patrón de rociado vea la sección **Corrección de problemas**.
- Para producir una capa pareja sobre toda la superficie:
 - Mantenga el rociador con empuñadura de pistola a una distancia pareja del área que esté rociando: aproximadamente, 304,8 mm (12 pulg.) desde la protección de la punta de la boquilla del rociador hasta la superficie que esté rociando.

- Accione el rociador con empuñadura de pistola en pasadas rectas horizontales. No sostenga el rociador en ángulo. Esto genera una cobertura despereja.
- Oprima el gatillo para comenzar con el rociado al inicio de la pasada y suéltelo cuando termine con la pasada. Para evitar la acumulación de material, no mantenga oprimido el gatillo cuando cambie a la siguiente pasada.
- Pase una vez por cada pasada. Superponga las pasadas por la mitad para lograr una cobertura completa.
- Cuando termine, vuelva a colocar la pintura o el tinte que no haya utilizado en su contenedor original, y limpie bien el rociador.

ADVERTENCIA:

Para reducir el riesgo de incendio o explosiones: No use la unidad con líquidos inflamables (p. ej., decapante para pinturas, quitapinturas, limpiador para brochas, destilados de petróleo, diluyente de laca, trementina, acetona, gasolina, queroseno, etcétera). Use únicamente agua (para pinturas a base de agua) o diluyente de pintura de fórmula blanca revolucionaria Klean Strip® (para pinturas o barniz a base de aceite).

RODICADO DE ACABADO FINO

Vea la figura 15.

En el modo de rociado de acabado, el aire presurizado se introduce en el chorro de pintura y se obtiene un acabado más fino.

Para utilizar el modo de rociado de acabado:

- Retire la cubierta de la toma de corriente de la conexión de aire en el panel de control.
- Acople la manguera sopladora de 7.62 m (25 pies) de la toma de corriente de la conexión de aire. Vea la **Colocación del seguro al rociador con empuñadura de pistola DUAL-ACTION™**.
- Acople el otro extremo de la manguera sopladora al rociador con empuñadura de pistola DUAL-ACTION™. Vea la **Colocación del seguro al rociador con empuñadura de pistola DUAL-ACTION™**.
- Enchufe la estación de pintura.
- Unidad de cebado. Siga las instrucciones de **Montaje y cebado**.
- Cambie el interruptor ALTO/APAGADO/ACABADO a ACABADO.
- Coloque la palanca de cebado/rociado en la posición de ROCIADO.
- Cambie el control de la presión variable a la configuración ACABADO (-). La presión puede ajustarse hasta alcanzar el patrón de rociado y la cobertura deseados.
- Desasegure el gatillo del rociador. Comience a rociar.
NOTA: Si la punta de rociado se obstruye, el gatillo del rociador, gírela 180°, desasegure el gatillo del rociador y rocíe dentro del contenedor de desechos para despejar la obstrucción. Vuelva a colocar la punta de rociado en la posición de rociado y continúe rociando.
- Asegure el gatillo del rociador y siga el **Procedimiento de alivio de presión** cuando termine de rociar o se detenga por cualquier razón.

GUARDADO DURANTE LA NOCHE (HASTA 12 HORAS)

NOTA: Estas instrucciones son únicamente para pintura látex y materiales a base de agua. Si está usando materiales a base de aceite, consulte las secciones **Limpieza de la estación de pintura** y **Guardado de la unidad a largo plazo** para obtener instrucciones.

FUNCIONAMIENTO

Los tintes y los materiales a base de aceite no se mantienen durante un período prolongado.

- Asegure el rociador con empuñadura de pistola y siga el **Procedimiento de alivio de presión**.
- Cambie el interruptor ALTO/APAGADO/ACABADO a APAGADO.
- Desenchufe la estación de pintura.
- Deje el tubo de entrada y el tubo de retorno en la pintura.
- Vierta suavemente 1/2 taza de agua sobre la parte superior de la pintura para evitar que se seque.
- Coloque el filtro del recipiente de 18,93 l (5 gal.) en el recipiente. Envuelva un paño húmedo alrededor de los tubos y sobre la abertura del contenedor.
- Envuelva el rociador con empuñadura de pistola con un paño húmedo y colóquelo en una bolsa de plástico. Selle la bolsa.
- Guárdelo por poco tiempo, fuera del alcance de la luz solar. Para guardarlo durante más tiempo, siga las instrucciones de Limpieza de la estación de pintura.

LIMPIEZA DE LA ROCIADOR DE PINTURA DE ACABADO/SIN AIRE

Vea las figuras 16 a 17.

La solución que se utiliza para limpiar el rociador se determina según el tipo de material que se ha rociado. Para cualquier otro material que no sea látex use diluyente de pintura de fórmula blanca revolucionaria Klean Strip® (para pinturas o barniz a base de aceite).

PRECAUCIÓN:

Es importante limpiar bien la estación de pintura y el rociador con empuñadura de pistola después de cada uso o al cambiar de color de pintura. Dejar que la pintura o el tinte permanezcan en una herramienta sin uso durante un período prolongado puede provocar que sus mangueras se obstruyan y sus piezas móviles se agarroten.

- Utilice siempre protecciones de tela u otras cubiertas para proteger las áreas de posibles derrames.
- Asegure el rociador con rociador con empuñadura de pistola y siga el **Procedimiento de alivio de presión**.
- Desenchufe la estación de pintura.
- Retire la protección para la punta de la boquilla y la punta de rociado del rociador.
- Use el cepillo para limpiar (no incluye) para limpiar el material de los agujeros de las puntas de rociado.
- Remoje en agua las puntas del rociador y la protección de la punta de la boquilla (para pinturas a base de agua) o con diluyente de pintura de fórmula blanca revolucionaria Klean Strip® (para pinturas o barniz a base de aceite).
- Llene el cubeta (recipiente de residuos) con agua (para pinturas a base de agua) o con diluyente de pintura de fórmula blanca revolucionaria Klean Strip® (para pinturas o barniz a base de aceite).
NOTA: Si está lavando o limpiando con agua o materiales a base de agua, puede resultar más fácil usar una manguera de jardín y el accesorio para manguera de jardín (incluido). Retire el filtro del tubo de entrada y conecte el tubo de entrada a la manguera de jardín con el accesorio.
- Coloque el tubo de entrada dentro del balde con agua (para materiales de látex) o el decapante para pintura Klean Strip® con una fórmula blanca revolucionaria (para materiales a base de aceite).

- Coloque el tubo de retorno en la recipiente de residuos.
- Coloque la palanca de cebado/rociado en la posición de CEBADO (PRIME).
- Cambie el control de la presión variable a la configuración CEBADO (PRIME).
- Cambie el interruptor ALTO/APAGADO/ACABADO a VELOCIDAD ALTA.

La estación de pintura hará pasar el líquido de limpieza por el tubo de entrada, a través de la bomba y hacia afuera del tubo de retorno dentro de la recipiente de residuos. Permite que el limpiador líquido recorra el sistema hasta que funcione sin suciedad.

- Coloque la palanca de cebado/rociado en la posición de ROCIADO (SPRAY).
- Desasegure el gatillo del rociador.
- Apunte el rociador hacia el lado interior del recipiente de residuos para enjuagar la manguera de fluidos de alta presión y el rociador con empuñadura de pistola.
NOTA: Si está usando el adaptador de la manguera de jardín, encienda la manguera de jardín y deje correr el agua a través del sistema hasta que el agua salga transparente.
- Deje el sistema en funcionamiento durante, aproximadamente, un minuto o hasta que el líquido de limpieza salga transparente.
- Coloque la palanca de cebado/rociado en la posición de CEBADO (PRIME).
- Cambie el interruptor ALTO/APAGADO/ACABADO a VELOCIDAD ALTA.
- Desenchufe la estación de pintura.
- Deseche el agua sucia (o diluyente de pintura de fórmula blanca revolucionaria Klean Strip®) de conformidad con las ordenanzas federales, estatales y locales.

LIMPIEZA DEL ROCIADOR DE PINTURA CON UNA MANGUERA DE JARDÍN (SÓLO PARA MATERIALES DE LÁTEX)

- Retire el filtro de la entrada del tubo.
- Acople el adaptador a la manguera de jardín.
- Presione el adaptador para manguera de jardín en el tubo de entrada y asegure con una abrazadera tipo mariposa.
- En ROCIAR/CEBAR coloque CEBAR.
- Cambie el control de la presión variable a CEBAR.
- Encienda la manguera de jardín.
- En ALTO/APAGADO/ACABADO coloque ALTO.
- Permita que el agua circule por el sistema hasta que salga agua limpia del tubo de regreso.
- En ROCIAR/CEBAR coloque ROCIAR.
- Desbloquee el rociador con empuñadura de pistola.
- Una vez que haya retirado el conjunto de protección de la punta de la boquilla, apunte el rociador con empuñadura de pistola hacia el interior del contenedor de residuos para que salga líquido de la manguera de alta presión y del rociador con empuñadura de pistola.
- Haga funcionar el sistema hasta que corra agua limpia del rociador con empuñadura de pistola.
- En la palanca ROCIAR/CEBAR coloque CEBAR.
- En el interruptor ALTO/APAGADO/ACABADO coloque APAGADO.
- Desenchufe el rociador de pintura.
- Deseche el agua sucia (o el decapante para pintura Klean Strip® con una fórmula blanca revolucionaria) en conformidad con las ordenanzas federales, estatales y locales.

MANTENIMIENTO

ADVERTENCIA:

Al dar servicio a la unidad, sólo utilice piezas de repuesto idénticas. El empleo de piezas diferentes puede causar un peligro o dañar el producto.

ADVERTENCIA:

Siempre use gafas de seguridad o anteojos protectores con protección lateral al usar herramientas eléctricas o al soplar el polvo con aire comprimido. Si la operación genera mucho polvo, también póngase una mascarilla contra el polvo.

MANTENIMIENTO GENERAL

Evite el empleo de solventes al limpiar piezas de plástico. La mayoría de los plásticos son susceptibles a diferentes tipos de solventes comerciales y pueden resultar dañados. Utilice paños limpios para eliminar la suciedad, el polvo, el aceite, la grasa, etc.

ADVERTENCIA:

No permita en ningún momento que fluidos para frenos, gasolina, productos a base de petróleo, aceites penetrantes, etc., lleguen a tocar las piezas de plástico. Las sustancias químicas pueden dañar, debilitar o destruir el plástico, lo cual a su vez puede producir lesiones corporales serias.

GUARDADO DE LA UNIDAD A LARGO PLAZO

Cuando guarde la estación de pintura durante 16 horas o más, se recomienda una limpieza minuciosa.

- Desenchufe el rociador de pintura.
- Asegure el rociador con rociador con empuñadura de pistola y siga el **Procedimiento de alivio de presión**.
- Limpie el rociador de pintura y el rociador con empuñadura de pistola DUAL-ACTION™ perfectamente siguiendo las instrucciones en la sección **Limpieza del rociador**, más arriba en este manual.
- Limpie el rociador de pintura y el rociador con empuñadura de pistola DUAL-ACTION™ perfectamente siguiendo las instrucciones en la sección Limpieza del rociador, más arriba en este manual.
- Asegúrese de que la máquina y los tubos no tengan agua ni líquido, ya que pueden congelarse.

- Si desea, almacene las mangueras, el rociador con empuñadura de pistola y las puntas en la bolsa de almacenamiento.
- Pliegue el mango por la parte frontal de la herramienta.

LIMPIEZA DEL FILTRO DEL ROCIADOR CON EMPUÑADURA DE PISTOLA DUAL-ACTION™

- Apague el rociador de pintura utilizando el procedimiento de eliminación de presión.
- Desenchufe el rociador de pintura.
- Verifique que el gatillo de desbloqueo esté trabado.
- Retire el rociador con empuñadura de pistola DUAL-ACTION™ de la manguera de fluidos de alta presión utilizando una llave.
- Gire la tuerca en el tubo de fluidos en el sentido contrario de las agujas del reloj utilizando una llave ajustable (no se incluye).
- Retire el filtro de la tuerca doble, observando la dirección del filtro.
- Limpie perfectamente el contenedor del filtro con agua (para pinturas a base de agua) o con el decapante para pintura Klean Strip® con una fórmula blanca revolucionaria (para pinturas a base de aceite o barnices).
- Si el filtro tiene algunos orificios, reemplácelo por uno nuevo. NUNCA perforo el filtro con ningún objeto.
- Reemplace el filtro en una tuerca doble.
- Enrosque la tuerca doble y el filtro en sentido de las agujas del reloj en el tubo de fluidos del rociador con empuñadura de pistola DUAL-ACTION™. El rociador no funcionará si el filtro se inserta mal en el mango.

CORRECCIÓN DE PROBLEMAS

PROBLEMA	CAUSA	POSIBLE SOLUCIÓN
El motor no funciona	<p>La estación de pintura no está enchufada</p> <p>El interruptor de encendido/apagado está en la posición de APAGADO</p> <p>La estación de pintura se ha apagado mientras estaba bajo presión</p> <p>No llega corriente desde la toma de corriente</p> <p>El cordón de extensión está dañado o tiene voltaje bajo</p> <p>Se ha quemado un fusible de la estación de pintura</p> <p>El motor no está funcionando bien</p>	<p>Asegúrese de que la unidad esté enchufada</p> <p>Coloque el interruptor de ENCENDIDO/APAGADO en la posición de ENCENDIDO</p> <p>Coloque la perilla de presión alta/baja en la presión máxima o alivie la presión colocando la palanca de cebado/rociado en Cebado</p> <p>Pruebe el voltaje del suministro de corriente</p> <p>Reemplace el cordón de extensión</p> <p>Comuníquese con un centro de servicio autorizado</p> <p>Comuníquese con un centro de servicio autorizado</p>
La configuración de presión es demasiado bajo	Fije el control de la presión variable excesivamente bajo	Cambie el control de la presión variable a una configuración más alta
La bomba no cebado	<p>La válvula de cebado/rociado se encuentra en la posición Spray (Rociado)</p> <p>El tamiz de entrada está obturado o el tubo de admisión no está sumergido</p> <p>La bola de comprobación de la válvula de entrada está atorada</p> <p>El tubo de admisión tiene una sueltas</p>	<p>Lleve la palanca Prime/Spray (Cebado/Rociado) a la posición Prime (Cebado)</p> <p>Limpie los residuos del tamiz de entrada y asegúrese de que el tubo de admisión se encuentre en el fondo del cubo de pintura</p> <p>Golpee firmemente la parte exterior de la válvula de entrada con una llave pequeña, dejando que la bomba cebe correctamente</p> <p>Extraiga el tubo de admisión y coloque un lápiz en el interior de la sección de entrada para desplazar la bola, dejando que la bomba cebe correctamente</p> <p>Apriete el tubo de admisión con un destornillador de cabeza plana</p>
El motor parece estar funcionando bien, pero la presión cae cuando se acciona la empuñadura de rociador con empuñadura de pistola	<p>La punta de rociado invertible está desgastada</p> <p>La punta de rociado está obstruida.</p> <p>El tubo de succión y el filtro están flojos o dañados</p> <p>El filtro del rociador con empuñadura de rociador con empuñadura de pistola está obstruido</p> <p>El material que se está rociando es demasiado espeso</p> <p>La válvula de entrada está dañada o desgastada</p> <p>El tubo de entrada está flojo</p>	<p>Reemplace la punta de rociado</p> <p>Gire la punta de rociado 180° y rocíe para limpiar</p> <p>Vuelva a instalar o reemplace el tubo de succión y el filtro, según sea necesario</p> <p>Limpie o reemplace el filtro del rociador con empuñadura de pistola</p> <p>Siga las instrucciones del fabricante del material para diluir el material, según sea necesario</p> <p>Cambie la válvula de entrada</p> <p>Apriete el tubo de entrada</p>

CORRECCIÓN DE PROBLEMAS

PROBLEMA	CAUSA	POSIBLE SOLUCIÓN
La palanca de cebado/rociado está configurada para rociar pero sale pintura a través del tubo de cebado	La palanca de cebado/rociado está sucia o dañada	Comuníquese con un centro de servicio autorizado
El rociador con empuñadura de pistola fugas	Pulverizador partes internas están gastados o dañados	Comuníquese con un centro de servicio autorizado
La protección para la punta de la boquilla tiene fugas	La protección para la punta de la boquilla o la punta de rociado fueron armadas de manera incorrecta	El carro portaherramientas y la arandela no están asentados adecuadamente en la protección de la punta de la boquilla
El rociador con empuñadura de pistola no rocía	La punta de rociado está obstruida El filtro del rociador con empuñadura de pistola está obstruido La punta de rociado no está asentada completamente dentro de la protección para la punta de la boquilla	Gire la punta de rociado 180° y rocíe para limpiarla Limpie o reemplace el filtro del rociador con empuñadura de pistola Vuelva a armar según las instrucciones de armado de la protección para la punta de la boquilla y de la punta de rociado
El patrón de pintura es débil o desaparejo	La presión está configurada en baja El rociador con empuñadura de pistola o el filtro del tubo de entrada está obstruido El tubo de entrada está flojo en la válvula de entrada. La punta de rociado está desgastada El material que se está rociando es demasiado espeso Pérdida de presión	Cambie el control de la presión variable a un ajuste más alto Limpie o reemplace los filtros Apriete el adaptador del tubo Reemplace la punta de rociado Siga las instrucciones del fabricante del material para diluir el material, según sea necesario Vea la causa/las posibles soluciones en La configuración de presión es demasiado baja y El motor parece estar funcionando bien, pero la presión cae cuando se acciona la empuñadura de pistola

Free Manuals Download Website

<http://myh66.com>

<http://usermanuals.us>

<http://www.somanuals.com>

<http://www.4manuals.cc>

<http://www.manual-lib.com>

<http://www.404manual.com>

<http://www.luxmanual.com>

<http://aubethermostatmanual.com>

Golf course search by state

<http://golfingnear.com>

Email search by domain

<http://emailbydomain.com>

Auto manuals search

<http://auto.somanuals.com>

TV manuals search

<http://tv.somanuals.com>