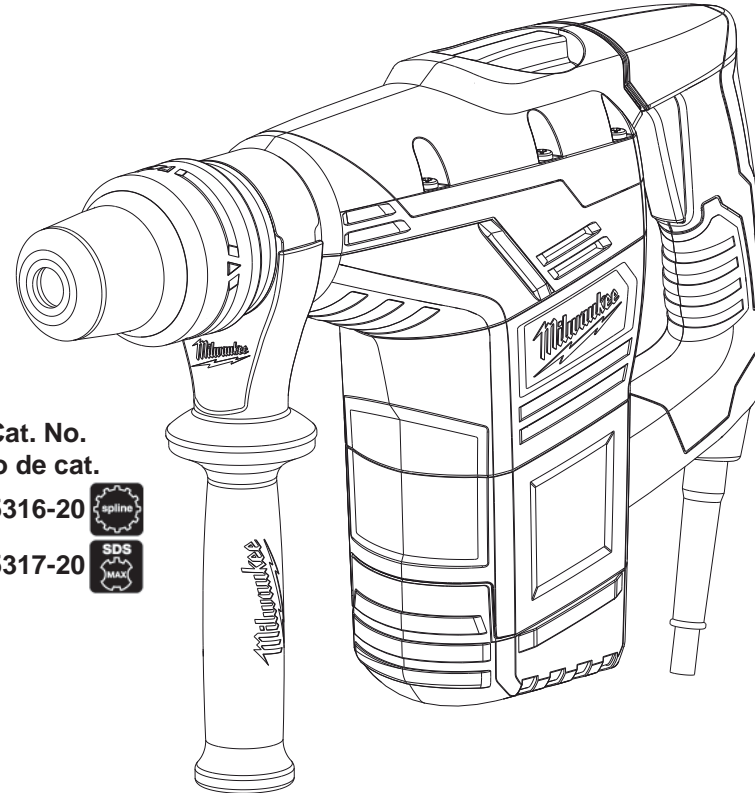




**OPERATOR'S MANUAL
MANUEL de L'UTILISATEUR
MANUAL del OPERADOR**



**Cat. No.
No de cat.**

5316-20 

5317-20 

**1-9/16" ROTARY HAMMERS
MARTEAU ROTATIF 40 mm (1-9/16")
40 mm (1-9/16") ROTOMARTILLOS**

TO REDUCE THE RISK OF INJURY, USER MUST READ AND UNDERSTAND OPERATOR'S MANUAL.

AFIN DE RÉDUIRE LE RISQUE DE BLESSURES, L'UTILISATEUR DOIT LIRE ET BIEN COMPRENDRE LE MANUEL DE L'UTILISATEUR.

PARA REDUCIR EL RIESGO DE LESIONES, EL USUARIO DEBE LEER Y ENTENDER EL MANUAL DEL OPERADOR.

GENERAL POWER TOOL SAFETY WARNINGS

WARNING READ ALL SAFETY WARNINGS AND ALL INSTRUCTIONS. Failure to follow the warnings and instructions may result in electric shock, fire and/or serious injury. Save all warnings and instructions for future reference. The term "power tool" in the warnings refers to your mains-operated (corded) power tool or battery-operated (cordless) power tool.

WORK AREA SAFETY

- Keep work area clean and well lit. Cluttered or dark areas invite accidents.
- Do not operate power tools in explosive atmospheres, such as in the presence of flammable liquids, gases or dust. Power tools create sparks which may ignite the dust or fumes.
- Keep children and bystanders away while operating a power tool. Distractions can cause you to lose control.

ELECTRICAL SAFETY

- Power tool plugs must match the outlet. Never modify the plug in any way. Do not use any adapter plugs with earthed (grounded) power tools. Unmodified plugs and matching outlets will reduce risk of electric shock.
- Avoid body contact with earthed or grounded surfaces such as pipes, radiators, ranges and refrigerators. There is an increased risk of electric shock if your body is earthed or grounded.
- Do not expose power tools to rain or wet conditions. Water entering a power tool will increase the risk of electric shock.
- Do not abuse the cord. Never use the cord for carrying, pulling or unplugging the power tool. Keep cord away from heat, oil, sharp edges or moving parts. Damaged or entangled cords increase the risk of electric shock.
- When operating a power tool outdoors, use an extension cord suitable for outdoor use. Use of a cord suitable for outdoor use reduces the risk of electric shock.
- If operating a power tool in a damp location is unavoidable, use a residual current device (RCD) protected supply. Use of an RCD reduces the risk of electric shock.

PERSONAL SAFETY

- Stay alert, watch what you are doing and use common sense when operating a power tool. Do not use a power tool while you are tired or under the influence of drugs, alcohol or medication. A moment of inattention while operating power tools may result in serious personal injury.
- Use personal protective equipment. Always wear eye protection. Protective equipment such as dust mask, non-skid safety shoes, hard hat, or hearing protection used for appropriate conditions will reduce personal injuries.
- Prevent unintentional starting. Ensure the switch is in the off-position before connecting to power source and/or battery pack, picking up or carrying the tool. Carrying power tools with your finger on the switch or energising power tools that have the switch on invites accidents.

- Remove any adjusting key or wrench before turning the power tool on. A wrench or a key left attached to a rotating part of the power tool may result in personal injury.
- Do not overreach. Keep proper footing and balance at all times. This enables better control of the power tool in unexpected situations.
- Dress properly. Do not wear loose clothing or jewellery. Keep your hair, clothing and gloves away from moving parts. Loose clothes, jewellery or long hair can be caught in moving parts.
- If devices are provided for the connection of dust extraction and collection facilities, ensure these are connected and properly used. Use of dust collection can reduce dust-related hazards.

POWER TOOL USE AND CARE

- Do not force the power tool. Use the correct power tool for your application. The correct power tool will do the job better and safer at the rate for which it was designed.
- Do not use the power tool if the switch does not turn it on and off. Any power tool that cannot be controlled with the switch is dangerous and must be repaired.
- Disconnect the plug from the power source and/or the battery pack from the power tool before making any adjustments, changing accessories, or storing power tools. Such preventive safety measures reduce the risk of starting the power tool accidentally.
- Store idle power tools out of the reach of children and do not allow persons unfamiliar with the power tool or these instructions to operate the power tool. Power tools are dangerous in the hands of untrained users.
- Maintain power tools. Check for misalignment or binding of moving parts, breakage of parts and any other condition that may affect the power tool's operation. If damaged, have the power tool repaired before use. Many accidents are caused by poorly maintained power tools.
- Keep cutting tools sharp and clean. Properly maintained cutting tools with sharp cutting edges are less likely to bind and are easier to control.
- Use the power tool, accessories and tool bits etc., in accordance with these instructions, taking into account the working conditions and the work to be performed. Use of the power tool for operations different from those intended could result in a hazardous situation.

SERVICE

- Have your power tool serviced by a qualified repair person using only identical replacement parts. This will ensure that the safety of the power tool is maintained.

SPECIFIC SAFETY RULES

- Wear ear protectors. Exposure to noise can cause hearing loss.
- Use auxiliary handle(s), if supplied with the tool. Loss of control can cause personal injury.
- Hold power tools by insulated gripping surfaces, when performing an operation where the cutting tool may contact hidden wiring or its own cord. Cutting accessory contacting a "live" wire may make exposed metal parts of the power tool "live" and could give the operator an electric shock.
- Keep hands away from all cutting edges and moving parts.
- Maintain labels and nameplates. These carry important information. If unreadable or missing, contact a MILWAUKEE service facility for a free replacement.
- WARNING: Some dust created by power sanding, sawing, grinding, drilling, and other construction activities contains chemicals known to cause cancer, birth defects or other reproductive harm. Some examples of these chemicals are:
 - lead from lead-based paint
 - crystalline silica from bricks and cement and other masonry products, and
 - arsenic and chromium from chemically-treated lumber.
 Your risk from these exposures varies, depending on how often you do this type of work. To reduce your exposure to these chemicals: work in a well ventilated area, and work with approved safety equipment, such as those dust masks that are specially designed to filter out microscopic particles.

SPECIFICATIONS

Cat. No.	Tool				Type	Capacities		
	Volts AC	A	No Load RPM	BPM		Twist bit	Core bit	Tunnel bit
5316-20	120	10.5	450	3000	Spline	1-9/16"	4"	2-5/8"
5317-20	120	10.5	450	3000	SDS-Max	1-9/16"	4"	2-5/8"

GROUNDING

WARNING Improperly connecting the grounding wire can result in the risk of electric shock. Check with a qualified electrician if you are in doubt as to whether the outlet is properly grounded. Do not modify the plug provided with the tool. Never remove the grounding prong from the plug. Do not use the tool if the cord or plug is damaged. If damaged, have it repaired by a MILWAUKEE service facility before use. If the plug will not fit the outlet, have a proper outlet installed by a qualified electrician.

Grounded Tools: Tools with Three Prong Plugs
Tools marked "Grounding Required" have a three wire cord and three prong grounding plug. The plug must be connected to a properly grounded outlet (See Figure A). If the tool should electrically malfunction or break down, grounding provides a low resistance path to carry electricity away from the user, reducing the risk of electric shock.

SYMBOLOLOGY

	Volts Alternating Current
	Amperes
n_0 XXXX min. ⁻¹	No Load Revolutions per Minute (RPM)
	Blows per Minute (BPM)
	Anti-Vibration System
	Underwriters Laboratories, Inc. United States and Canada
	Mexican Approvals Marking

The grounding prong in the plug is connected through the green wire inside the cord to the grounding system in the tool. The green wire in the cord must be the only wire connected to the tool's grounding system and must never be attached to an electrically "live" terminal. Your tool must be plugged into an appropriate outlet, properly installed and grounded in accordance with all codes and ordinances. The plug and outlet should look like those in Figure A. **Fig. A**

Double Insulated Tools: Tools with Two Prong Plugs

Tools marked "Double Insulated" do not require grounding. They have a special double insulation system which satisfies OSHA requirements and complies with the applicable standards of Underwriters Laboratories, Inc., the Canadian Standard Association and the National Electrical Code. Double Insulated tools may be used in either of the 120 volt outlets shown in **Fig. B** and **Fig. C**.

EXTENSION CORDS

Grounded tools require a three wire extension cord. Double insulated tools can use either a two or three wire extension cord. As the distance from the supply outlet increases, you must use a heavier gauge extension cord. Using extension cords with inadequately sized wire causes a serious drop in voltage, resulting in loss of power and possible tool damage. Refer to the table shown to determine the required minimum wire size.

The smaller the gauge number of the wire, the greater the capacity of the cord. For example, a 14 gauge cord can carry a higher current than a 16 gauge cord. When using more than one extension cord to make up the total length, be sure each cord contains at least the minimum wire size required. If you are using one extension cord for more than one tool, add the nameplate amperes and use the sum to determine the required minimum wire size.

Guidelines for Using Extension Cords

- If you are using an extension cord outdoors, be sure it is marked with the suffix "W-A" ("W" in Canada) to indicate that it is acceptable for outdoor use.
- Be sure your extension cord is properly wired and in good electrical condition. Always replace a damaged extension cord or have it repaired by a qualified person before using it.
- Protect your extension cords from sharp objects, excessive heat and damp or wet areas.

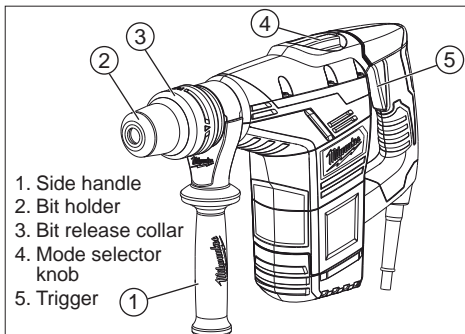
Recommended Minimum Wire Gauge for Extension Cords*

Nameplate Amperes	Extension Cord Length				
	25'	50'	75'	100'	150'
0 - 2.0	18	18	18	18	16
2.1 - 3.4	18	18	18	16	14
3.5 - 5.0	18	18	16	14	12
5.1 - 7.0	18	16	14	12	12
7.1 - 12.0	16	14	12	10	
12.1 - 16.0	14	12	10		
16.1 - 20.0	12	10			

* Based on limiting the line voltage drop to five volts at 150% of the rated amperes.

READ AND SAVE ALL INSTRUCTIONS FOR FUTURE USE.

FUNCTIONAL DESCRIPTION



1. Side handle
2. Bit holder
3. Bit release collar
4. Mode selector knob
5. Trigger

ASSEMBLY

WARNING To reduce the risk of injury, always unplug tool before attaching or removing accessories or making adjustments. Use only specifically recommended accessories. Others may be hazardous.

WARNING To reduce the risk of injury, always use a side handle when using this tool. Always brace or hold securely.

Adjusting the Side Handle Position

1. Loosen the side handle by unscrewing the side handle grip until the side handle rotates freely.
2. Rotate the side handle to the desired position.
3. Tighten the side handle grip securely.

WARNING To reduce the risk of injury do not grasp the bit while the chuck is rotating or while the bit is falling from the chuck.

Installing Bits and Chisels

Be sure that the shank of the bit is clean. Dirt particles may cause the bit to line up improperly. Do not use bits larger than the maximum recommended capacity of the drill because gear damage or motor overloading may result. For best performance, be sure that the bit is properly sharpened and the shank is lightly greased before use. Use caution when handling hot bits and chisels.

SDS-Max Drive System

1. Unplug tool.
2. Insert the bit or chisel into the nose of the tool.
3. Push bit into tool until it locks.
5. Check to see that the bit is locked by tugging on it.
6. To remove bits and chisels, pull back on the bit release collar and remove bit.

Spline Drive System

1. Unplug tool.
2. Insert the bit or chisel into the nose of the tool. If you are using a rotary bit, make sure that the splines on the shank engage with the splines inside the nose of the tool. If you are using a chisel, make sure that the notch in the shank faces up.
3. Push bit into tool until it locks.
4. Check to see that the bit is locked by tugging on it.
5. To remove bits and chisels, pull bit release collar toward the rear of tool and remove bit.

OPERATION

WARNING To reduce the risk of injury, always unplug tool before attaching or removing accessories or making adjustments. Use only specifically recommended accessories. Others may be hazardous.

WARNING To reduce the risk of injury, wear safety goggles or glasses with side shields.

WARNING To reduce the risk of injury, keep hands and cord away from the bit and all moving parts.

Selecting Action

These **MILWAUKEE** Rotary Hammers have three settings: hammering with rotation, hammering-only, and chisel adjustment.

1. **Hammering with rotation.** Use this setting for drilling holes with drill bits.
2. **Hammering only.** For use with "hammering-only" accessories. Use this setting for chiseling or setting self-drilling anchors.
3. **Chisel adjustment.** Use this setting to adjust the angle of the chisel blade in relation to the tool. With a chisel mounted in the tool:
 - turn the knob to this setting
 - rotate the chisel to the desired angle
 - turn the knob to "hammering-only".



NOTE: To engage the hammering mechanism, maintain pressure on the bit. When the pressure on the bit is released, the hammering will stop.

Starting and Stopping

1. To **start** the tool, grasp the handle firmly and pull the trigger.
2. To **stop** the tool, release the trigger. Make sure the tool comes to a complete stop before laying the tool down.

Operating

Position the tool, grasp the handles firmly and pull the trigger. Always hold the tool securely using both handles to maintain control. This tool has been designed to achieve top performance with only moderate pressure. Let the tool do the work. If the speed begins to drop off when drilling large or deep holes, pull the bit partially out of the hole while the tool is running to help clear dust. Do not use water to settle the dust since it will clog the bit flutes and tend to make the bit bind in the hole. If the bit should bind, a built-in, non-adjustable slip clutch prevents the bit from turning. If this occurs, stop the tool, free the bit and begin again.

Cold Starting

If this tool is stored for a long period of time or at cold temperatures, it may not hammer initially because the lubrication has become stiff. To warm up the tool:

1. Insert and lock a bit or chisel into the tool.
2. Pull the trigger and apply force to the bit or chisel against a concrete or wood surface for a few seconds. Release the trigger
3. Repeat until the tool starts hammering. The colder the tool is, the longer it will take to warm up.

Using Rotary Percussion Core Bits

Core Bits are useful for drilling large or long holes in concrete. **MILWAUKEE** Heavy-Duty Core Bits have heat-treated steel bodies with durable carbide tips. These core bits are specially designed for fast, accurate drilling with combined hammering and rotary action.

1. Clean and lubricate the threads on the adapter and core bit to make later removal easier. Thread the adapter shank to the rear of the core bit.
2. Push the guide plate onto the pointed end of the center pin. Insert the center pin and guide plate assembly into the core bit. Be sure the small end of the center pin is securely placed into the hole in the center of the core bit.



For LHS systems, screw the threaded end of the centering bit into the core bit.

NOTE: If using an extension, first thread the adapter shank to the extension. Then thread the core bit to the extension.

3. Insert the adapter into the nose of the tool as described in "Installing Bits and Chisels". Set the knob to the "hammering with rotation" setting.

4. Press the centering bit firmly against your center mark, hold the tool firmly and pull the trigger.



NOTE: If the 48-20-5099 threaded stud is used, or a center pin and guide plate are not available, use a template or notched board to start the hole.

5. Start the tool. After drilling to about the depth of the core bit teeth, remove the center pin and guide plate from the core bit (not necessary for LHS system). Resume drilling.



6. To change the core bit, hold the tool upwards, pointing it away from your body, and run it briefly in forward to loosen the core bit from the adapter.

NOTE: To make deeper holes, remove the core bit, break and remove the core, then resume drilling. When drilling long or deep holes, after each inch of penetration pull the bit partially out of the hole while the tool is running, to help clear dust from the bit flutes. Dust can clog the bit flutes and can make the bit bind in the hole. If this occurs, stop the tool, free the bit and begin again.

Drilling Large Diameter Holes with Core Bits

When drilling holes with large diameter core bits, dust may build up in the cut and can cause the tool to stall, bind, or cut slowly. By creating an opening for the dust to escape, drilling time, bit stress, and tool stress can be reduced.

1. Start the cut as normal.

2. Once the bit is firmly established in the cut (about 1/4" deep), remove the bit from the cut.

3. Remove the bit from the tool.

4. Install a standard fluted bit, approximately 7/8" in diameter, onto the tool.

5. Drill a perpendicular hole through the kerf of the large hole.

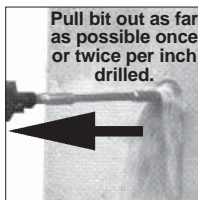
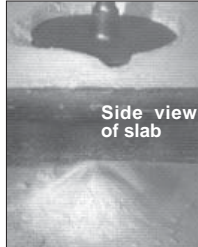
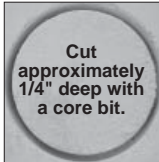
- Depending on the location of the work, the hole should either break through the other side of the hole/floor or extend 4"-5" past the end of the workpiece (such as into the dirt below a concrete slab).

- If dust builds up in the hole, vacuum it out and continue drilling.

- If drilling through a wall, the hole for dust should be drilled on the lowest part of the large hole kerf as the dust will fall there when drilling and can be evacuated more easily.

6. Reinstall the core bit and continue drilling. Dust and debris will fall through the hole and optimize the cutting ability of the bit.

NOTE: If unable to drill a hole in the kerf, pull back on the bit with the hammer running. This will remove some of the dust and debris from the cut. Repeat this for every inch of drilling. If necessary, vacuum dust and debris from the cut and surrounding area.



7. For core bits, once the maximum core bit depth is drilled, the core must be broken and removed.

- Install a chisel bit.
- Place the chisel into the hole kerf.
- Chisel down into the kerf at several points until the core is loose or broken.
- Remove the core and vacuum/remove any remaining dust and debris.
- Install the core bit and continue the cut.



WARNING To reduce the risk of personal injury and damage to the tool or work:

- Always use the "hammering-only" setting to set the anchor. Never use the "hammering-with-rotation" setting to set the anchor.
- Never switch the tool to "hammering-with-rotation" until after the anchor has been set and the tooth anchor chuck has been removed from the anchor.

Setting Self-Drilling Anchors

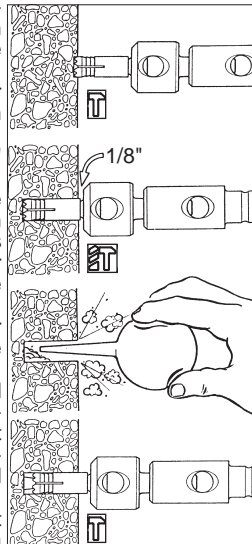
MILWAUKEE Tooth Anchor Chucks require a "B" taper adapter.

1. Place the proper size tooth anchor chuck into the "B" taper adapter. Then insert the "B" taper adapter into the tool and lock it into place as described. See "Installing Bits and Chisels".

2. Insert the anchor into the tooth anchor chuck. Set the knob for hammering only. Set the anchor on your mark and hammer until the teeth have penetrated the concrete.

3. Set the knob for hammering with rotation and drill until the chuck is 1/8" above the concrete. **NOTE:** It may be necessary to clean dust and cuttings from the anchor several times while drilling the hole.

4. Remove the anchor from the hole while the tool is running. Clean the dust and cuttings from the anchor by pointing it downward and turning the tool on and off several times. Clean the dust out of the hole with a vacuum cleaner or blowout bulb.

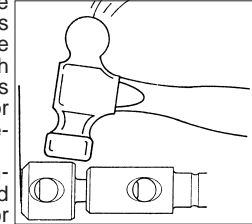
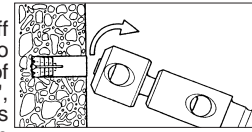


5. Place the expansion plug into the anchor and insert the anchor into the hole. Switch the knob back to hammering only, and hammer the anchor firmly into the hole.

6. Snap the head off of the anchor. To remove the head of anchors up to 5/8", grasp the handles firmly and pull the tool sharply towards you or snap off the anchor head with a hand hammer as shown. The anchor is now ready to receive a bolt.

7. To remove the anchor head wedged in the tooth anchor chuck, use drift pin 48-86-0100.

8. To remove the tooth anchor chuck, remove the "B" taper adapter from the nose of the tool. Insert the drift pin supplied with the adapter into the hole on the side of the "B" taper adapter and strike it sharply to force out the tooth anchor chuck.



Chiseling and Chipping

MILWAUKEE Rotary Hammers may be used for chipping and chiseling.

When chiseling, hold the tool at an angle to the workpiece. Work from a corner or close to the edge of the workpiece, breaking off one small area at a time rather than attempting too large an area.

A variety of accessories are available.

	Bushing Tools Used to surface concrete.
	Mortar Cutting Chisels (Seam Tools) For removing old mortar for tuck pointing or caulking.
	Bull Points For demolition work and starting holes in concrete slabs.
	Flat Chisels For edging, chipping or channeling.
	Scaling Chisels For removing weld spatter or scale and cutting straight lines.
	Slotting Chisel For slotting and cutting between drilled holes in concrete and masonry.

MAINTENANCE

WARNING To reduce the risk of injury, always unplug your tool before performing any maintenance. Never disassemble the tool or try to do any rewiring on the tool's electrical system. Contact a MILWAUKEE service facility for ALL repairs.

Maintaining Tools

Keep your tool in good repair by adopting a regular maintenance program. Before use, examine the general condition of your tool. Inspect guards, switches, tool cord set and extension cord for damage. Check for loose screws, misalignment, binding of moving parts, improper mounting, broken parts and any other condition that may affect its safe operation. If abnormal noise or vibration occurs, turn the tool off immediately and have the problem corrected before further use. Do not use a damaged tool. Tag damaged tools "DO NOT USE" until repaired (see "Repairs"). Under normal conditions, relubrication is not necessary until the motor brushes need to be replaced. After six months to one year, depending on use, return your tool to the nearest MILWAUKEE service facility for the following:

- Lubrication
- Brush inspection and replacement
- Mechanical inspection and cleaning (gears, spindles, bearings, housing, etc.)
- Electrical inspection (switch, cord, armature, etc.)
- Testing to assure proper mechanical and electrical operation

WARNING To reduce the risk of injury, electric shock and damage to the tool, never immerse your tool in liquid or allow a liquid to flow inside the tool.

Cleaning

Clean dust and debris from vents. Keep the tool handles clean, dry and free of oil or grease. Use only mild soap and a damp cloth to clean your tool since certain cleaning agents and solvents are harmful to plastics and other insulated parts. Some of these include: gasoline, turpentine, lacquer thinner, paint thinner, chlorinated cleaning solvents, ammonia and household detergents containing ammonia. Never use flammable or combustible solvents around tools.

Repairs

If your tool is damaged, return the entire tool to the nearest service center.

ACCESSORIES

WARNING To reduce the risk of injury, always unplug the tool before attaching or removing accessories. Use only specifically recommended accessories. Others may be hazardous.

For a complete listing of accessories refer to your MILWAUKEE Electric Tool catalog or go on-line to www.milwaukeetool.com. To obtain a catalog, contact your local distributor or a service center.

LIMITED WARRANTY - USA AND CANADA

Every MILWAUKEE power tool (including cordless product – tool, battery pack(s) - see separate & distinct CORDLESS BATTERY PACK LIMITED WARRANTY statements & battery charger and Work Lights*) is warranted to the original purchaser only to be free from defects in material and workmanship. Subject to certain exceptions, MILWAUKEE will repair or replace any part on an electric power tool which, after examination, is determined by MILWAUKEE to be defective in material or workmanship for a period of five (5) years* after the date of purchase unless otherwise noted. Return of the power tool to a MILWAUKEE factory Service Center location or MILWAUKEE Authorized Service Station, freight prepaid and insured, is required. A copy of the proof of purchase should be included with the return product. This warranty does not apply to damage that MILWAUKEE determines to be from repairs made or attempted by anyone other than MILWAUKEE authorized personnel, misuse, alterations, abuse, normal wear and tear, lack of maintenance, or accidents.

*The warranty period for, Job Site Radios, M12™ Power Port and Trade Titan™ Industrial Work Carts is one (1) year from the date of purchase. The warranty period for a LED Work Light and LED Upgrade Bulb is a limited LIFETIME warranty to the original purchaser only, if during normal use the LED bulb fails the Work Light or Upgrade Bulb will be replaced free of charge.

*This warranty does not cover Air Nailers & Stapler, Airless Paint Sprayer, Cordless Battery Packs, Gasoline Driven Portable Power Generators, Hand Tools, Hoist – Electric, Lever & Hand Chain, M12™ Heated Jackets, Reconditioned product and Test & Measurement products. There are separate and distinct warranties available for these products.

Warranty Registration is not necessary to obtain the applicable warranty on a MILWAUKEE power tool product. The manufacturing date of the product will be used to determine the warranty period if no proof of purchase is provided at the time warranty service is requested.

ACCEPTANCE OF THE EXCLUSIVE REPAIR AND REPLACEMENT REMEDIES DESCRIBED HEREIN IS A CONDITION OF THE CONTRACT FOR THE PURCHASE OF EVERY MILWAUKEE PRODUCT. IF YOU DO NOT AGREE TO THIS CONDITION, YOU SHOULD NOT PURCHASE THE PRODUCT. IN NO EVENT SHALL MILWAUKEE BE LIABLE FOR ANY INCIDENTAL, SPECIAL, CONSEQUENTIAL OR PUNITIVE DAMAGES, OR FOR ANY COSTS, ATTORNEY FEES, EXPENSES, LOSSES OR DELAYS ALLEGED TO BE AS A CONSEQUENCE OF ANY DAMAGE TO, FAILURE OF, OR DEFECT IN ANY PRODUCT INCLUDING, BUT NOT LIMITED TO, ANY CLAIMS FOR LOSS OF PROFITS. SOME STATES DO NOT ALLOW THE EXCLUSION OR LIMITATION OF INCIDENTAL OR CONSEQUENTIAL DAMAGES, SO THE ABOVE LIMITATION OR EXCLUSION MAY NOT APPLY TO YOU. THIS WARRANTY IS EXCLUSIVE AND IN LIEU OF ALL OTHER EXPRESS WARRANTIES, WRITTEN OR ORAL. TO THE EXTENT PERMITTED BY LAW, MILWAUKEE DISCLAIMS ANY IMPLIED WARRANTIES, INCLUDING WITHOUT LIMITATION ANY IMPLIED WARRANTY OF MERCHANTABILITY OR FITNESS FOR A PARTICULAR USE OR PURPOSE; TO THE EXTENT SUCH DISCLAIMER IS NOT PERMITTED BY LAW, SUCH IMPLIED WARRANTIES ARE LIMITED TO THE DURATION OF THE APPLICABLE EXPRESS WARRANTY AS DESCRIBED ABOVE. SOME STATES DO NOT ALLOW LIMITATIONS ON HOW LONG AN IMPLIED WARRANTY LASTS, SO THE ABOVE LIMITATION MAY NOT APPLY TO YOU. THIS WARRANTY GIVES YOU SPECIFIC LEGAL RIGHTS, AND YOU MAY ALSO HAVE OTHER RIGHTS WHICH VARY FROM STATE TO STATE.

This warranty applies to product sold in the U.S.A. and Canada only.

Please consult the 'Service Center Search' in the Parts & Service section of MILWAUKEE's website www.milwaukeetool.com or call 1.800.SAWDUST (1.800.729.3878) to locate your nearest MILWAUKEE factory Service Center location.

LIMITED WARRANTY - MEXICO, CENTRAL AMERICA AND CARIBBEAN

TECHTRONIC INDUSTRIES' warranty is for 5 year since the original purchase date.

This warranty card covers any defect in material and workmanship on this Power Tool.

To make this warranty valid, present this warranty card, sealed/stamped by the distributor or store where you purchased the product, to the Authorized Service Center (ASC). Or, if this card has not been sealed/stamped, present the original proof of purchase to the ASC.

Call toll-free 1 800 832 1949 to find the nearest ASC, for service, parts, accessories or components.

Procedure to make this warranty valid

Take the product to the ASC, along with the warranty card sealed/stamped by the distributor or store where you purchased the product, and there any faulty piece or component will be replaced without cost for you. We will cover all freight costs relative with this warranty process.

Exceptions

This warranty is not valid in the following situations:

a) When the product is used in a different manners from the end-user guide or instruction manual.

b) When the conditions of use are not normal.

c) When the product was modified or repaired by people not authorized by TECHTRONIC INDUSTRIES.

Note: If cord set is damaged, it should be replaced by an Authorized Service Center to avoid electric risks.

Model: _____

Date of Purchase: _____

Distributor or Store Stamp:

SERVICE AND ATTENTION CENTER

Rafael Buelna No.1.

Col. Tezozomoc Mexico, Azcapotzalco D.F.

Ph. 01 800 832 1949

IMPORTED AND COMMERCIALIZED BY:

TECHTRONIC INDUSTRIES MEXICO, S.A. DE C.V.

Av. Santa Fe 481 piso 6, Col. Curz Manca.

CP 05349, Cuajimalpa, D.F.

RÈGLES DE SÉCURITÉ GÉNÉRALES RELATIVES AUX OUTILS ÉLECTRIQUES

AVERTISSEMENT LIRE TOUTES LES RÈGLES ET INSTRUCTIONS DE SÉCURITÉ. Ne pas suivre l'ensemble des règles et instructions peut entraîner une électrocution, un incendie ou des blessures graves. **Conserver les règles et les instructions à des fins de référence ultérieure.** Le terme «outil électrique» figurant dans les avertissements ci-dessous renvoie à l'outil électrique à alimentation par le réseau (à cordon) ou par batterie (sans fil).

SÉCURITÉ DU LIEU DE TRAVAIL

- **Maintenir la zone de travail propre et bien éclairée.** Les zones encombrées ou mal éclairées sont favorables aux accidents.
- **Ne pas utiliser d'outil électrique dans une atmosphère explosive, telle qu'en en présence de liquides, de gaz ou de poussières inflammables.** Les outils électriques génèrent des étincelles qui peuvent enflammer les poussières ou les fumées.
- **Tenir les enfants et les personnes non autorisées à l'écart pendant le fonctionnement d'un outil électrique.** Un manque d'attention de l'opérateur risque de lui faire perdre le contrôle de l'outil.
- **La fiche de l'outil électrique doit correspondre à la prise d'alimentation. Ne jamais modifier la**

SÉCURITÉ ÉLECTRIQUE

- **fiche d'une manière quelconque. Ne pas utiliser d'adaptateur avec les outils électriques mis à la terre (à la masse).** Des fiches non modifiées et des prises d'alimentation assorties réduisent le risque de choc électrique.
- **Éviter tout contact corporel avec des surfaces reliées à la masse ou à la terre telles que tuyaux, radiateurs, cuisinières et réfrigérateurs.** Un risque de choc électrique plus élevé existe si le corps est relié à la masse ou à la terre.
- **Ne pas exposer les outils électriques à la pluie ou à l'humidité.** Le risque de choc électrique augmente si de l'eau s'infiltre dans un outil électrique.
- **Prendre soin du cordon. Ne jamais utiliser le cordon pour transporter, tirer ou débrancher l'outil électrique. Tenir le cordon à l'écart de la chaleur, des huiles, des arêtes coupantes ou des pièces en mouvement.** Un cordon endommagé ou emmêlé présente un risque accru de choc électrique.
- **Se procurer un cordon d'alimentation approprié en cas d'utilisation d'un outil électrique à l'extérieur.** L'utilisation d'un cordon d'alimentation pour usage extérieur réduit le risque de choc électrique.
- **S'il est nécessaire d'utiliser l'outil électrique dans un endroit humide, installer un appareil à courant résiduel (RCD).** L'utilisation d'un RCD réduit le risque de décharge électrique.

SÉCURITÉ INDIVIDUELLE

- **Être sur ses gardes, être attentif et faire preuve de bon sens en utilisant un outil électrique. Ne pas utiliser un outil électrique en cas de fatigue ou sous l'influence de drogues, d'alcool ou de médicaments.** Un instant d'inattention lors de l'utilisation d'un outil électrique peut entraîner des blessures graves.

- **Porter l'équipement de protection requis. Toujours porter une protection oculaire.** Selon les conditions, porter aussi un masque anti-poussières, des bottes de sécurité antidérapantes, un casque protecteur ou une protection auditive afin de réduire les blessures.
- **Empêcher les démarrages accidentels. S'assurer que la gâchette est en position d'arrêt avant de brancher l'outil à une source de courant, d'insérer la batterie, de la ramasser ou de le transporter.** Le fait de transporter l'outil en gardant le doigt sur la gâchette ou de le brancher lorsque la gâchette est en position de marche favorise les accidents.
- **Retirer toute clé de réglage avant de mettre l'outil sous tension.** Une clé laissée attachée sur une pièce mobile de l'outil électrique peut entraîner des blessures.
- **Ne pas travailler à bout de bras. Bien garder un bon équilibre à tout instant.** Ceci permet de mieux préserver la maîtrise de l'outil électrique dans des situations imprévues.
- **Porter des vêtements adéquats. Ne pas porter de vêtements amples ni de bijoux. Ne pas approcher les cheveux, vêtements et gants des pièces en mouvement.** Les vêtements amples, les bijoux ou les cheveux longs risquent d'être happés par les pièces en mouvement.
- **Si des dispositifs sont prévus pour l'extraction et la récupération des poussières, vérifier qu'ils sont connectés et utilisés correctement.** L'utilisation de ces dispositifs peut réduire les risques liés aux poussières.

UTILISATION ET ENTRETIEN DE L'OUTIL ÉLECTRIQUE

- **Ne pas forcer l'outil électrique. Utiliser l'outil électrique approprié à l'application considérée.** L'outil électrique adapté au projet considéré produira de meilleurs résultats, dans des conditions de sécurité meilleures, à la vitesse pour laquelle il a été conçu.
- **Ne pas utiliser l'outil électrique si le commutateur ne le met pas sous ou hors tension.** Tout outil électrique dont le commutateur de marche-arrêt est inopérant est dangereux et doit être réparé.
- **Débrancher la fiche de la prise d'alimentation et/ou la batterie de l'outil électrique avant d'effectuer des réglages, de changer d'accessoires ou de ranger l'outil.** De telles mesures de sécurité préventive réduisent le risque de mettre l'outil en marche accidentellement.
- **Ranger les outils électriques inutilisés hors de la portée des enfants et ne pas laisser des personnes qui connaissent mal les outils élec-**

triques ou ces instructions utiliser ces outils. Les outils électriques sont dangereux dans les mains d'utilisateurs non formés à leur usage.

- **Entretien des outils électriques. S'assurer de l'absence de tout désalignement ou de grippage des pièces mobiles, de toute rupture de pièce ou de toute autre condition qui pourrait affecter le bon fonctionnement de l'outil électrique. En cas de dommages, faire réparer l'outil avant de l'utiliser de nouveau.** Les outils électriques mal entretenus sont à la source de nombreux accidents.
- **Garder les outils de coupe affûtés et propres.** Les outils de coupe correctement entretenus et bien affûtés risquent moins de se gripper et sont plus faciles à manier.
- **Utiliser l'outil électrique, les accessoires, les grains etc. conformément à ces instructions en tenant compte des conditions de travail et de la tâche à effectuer.** L'utilisation de cet outil électrique pour effectuer une opération pour laquelle il n'est pas conçu peut occasionner une situation dangereuse.

ENTRETIEN

- **Faire effectuer l'entretien de l'outil électrique par un technicien qualifié qui n'utilisera que des pièces de rechange identiques.** La sécurité d'utilisation de l'outil en sera préservée.

RÈGLES DE SÉCURITÉ SPÉCIFIQUES

- **Porter des protège-oreilles avec un marteau perforateur.** Une exposition au bruit peut provoquer une perte auditive.

MISE A LA TERRE

AVERTISSEMENT Si le fil de mise à la terre est incorrectement raccordé, il peut en résulter des risques de choc électrique. Si vous n'êtes pas certain que la prise dont vous vous servez est correctement mise à la terre, faites-la vérifier par un électricien. N'altérez pas la fiche du cordon de l'outil. N'enlevez pas de la fiche, la dent qui sert à la mise à la terre. N'employez pas l'outil si le cordon ou la fiche sont en mauvais état. Si tel est le cas, faites-les réparer dans un centre-service MILWAUKEE accrédité avant de vous en servir. Si la fiche du cordon ne s'adapte pas à la prise, faites remplacer la prise par un électricien.

Outils mis à la terre : Outils pourvus d'une fiche de cordon à trois dents

Les outils marqués « Mise à la terre requise » sont pourvus d'un cordon à trois fils dont la fiche a trois dents. La fiche du cordon doit être branchée sur une prise correctement mise à la terre (voir Figure A). De cette façon, si une défectuosité dans le circuit électrique de l'outil survient, le relais à la terre fournira un conducteur à faible résistance pour décharger le courant et protéger l'utilisateur contre les risques de choc électrique.

• **Utiliser les poignées auxiliaires fournies avec l'outil.** Une perte de contrôle peut provoquer des blessures.

- **Tenir l'outil par les surfaces de prise isolées si, au cours des travaux, l'outil de coupe risque d'entrer en contact avec des fils cachés ou avec son propre cordon.** Le contact avec un fil sous tension met les parties métalliques exposées de l'outil sous tension, ce qui infligera un choc électrique à l'opérateur.
- **Tenez les mains à l'écart des arêtes tranchantes et des pièces en mouvement.**
- **Entretenez les étiquettes et marques du fabricant.** Les indications qu'elles contiennent sont précieuses. Si elles deviennent illisibles ou se détachent, faites-les remplacer gratuitement à un centre de service MILWAUKEE accrédité.
- **AVERTISSEMENT :** La poussière dégagee par perçage, sciage et autres travaux de construction contient des substances chimiques reconnues comme pouvant causer le cancer, des malformations congénitales ou d'autres troubles de reproduction. Voici quelques exemples de telles substances :
 - Le plomb contenu dans la peinture au plomb.
 - Le silice cristallin contenu dans la brique, le béton et divers produits de maçonnerie.
 - L'arsenic et le chrome servant au traitement chimique du bois.Les risques associés à l'exposition à ces substances varient, dépendant de la fréquence des travaux. Afin de minimiser l'exposition à ces substances chimiques, assurez-vous de travailler dans un endroit bien aéré et d'utiliser de l'équipement de sécurité tel un masque antipoussière spécifiquement conçu pour la filtration de particules microscopiques.

La dent de mise à la terre de la fiche est reliée au système de mise à la terre de l'outil via le fil vert du cordon. Le fil vert du cordon doit être le seul fil raccordé à un bout au système de mise à la terre de l'outil et son autre extrémité ne doit jamais être raccordée à une borne sous tension électrique. Votre outil doit être branché sur une prise appropriée, correctement installée et mise à la terre conformément aux codes et ordonnances en vigueur. La fiche du cordon et la prise de courant doivent être semblables à celles de la Figure A.

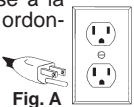


Fig. A

Outils à double isolation : Outils pourvus d'une fiche de cordon à deux dents

Les outils marqués « Double Isolation » n'ont pas besoin d'être raccordés à la terre. Ils sont pourvus d'une double isolation conforme aux exigences de l'OSHA et satisfont aux normes de l'Underwriters Laboratories, Inc., de l'Association canadienne de normalisation (ACNOR) et du « National Electrical Code » (code national de l'électricité). Les outils à double isolation peuvent être branchés sur n'importe laquelle des prises à 120 volt illustrées ci-

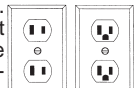


Fig. B

Fig. C

SPÉCIFICATIONS

Outil						Capacités		
No de Cat.	Volts CA	A	t/min. à vide	coups/min. à vide	Porte-embout	Forets heli	Trépan carottier	Mèche Tunnel
5316-20	120	10,5	450	3 000	Cannelure	40 mm (1-9/16")	102 mm (4")	67 mm (2-5/8")
5317-20	120	10,5	450	3 000	SDS-Max	40 mm (1-9/16")	102 mm (4")	67 mm (2-5/8")

CORDONS DE RALLONGE

Si l'emploi d'un cordon de rallonge est nécessaire, un cordon à trois fils doit être employé pour les outils mis à la terre. Pour les outils à double isolation, on peut employer indifféremment un cordon de rallonge à deux ou trois fils. Plus la longueur du cordon entre l'outil et la prise de courant est grande, plus le calibre du cordon doit être élevé. L'utilisation d'un cordon de rallonge incorrectement calibré entraîne une chute de voltage résultant en une perte de puissance qui risque de détériorer l'outil. Reportez-vous au tableau ci-contre pour déterminer le calibre minimum du cordon. Moins le calibre du fil est élevé, plus sa conductivité est bonne. Par exemple, un cordon de calibre 14 a une meilleure conductivité qu'un cordon de calibre 16. Lorsque vous utilisez plus d'une rallonge pour couvrir la distance, assurez-vous que chaque cordon possède le calibre minimum requis. Si vous utilisez un seul cordon pour brancher plusieurs outils, additionnez le chiffre d'intensité (ampères) inscrit sur la fiche signalétique de chaque outil pour obtenir le calibre minimal requis pour le cordon.

Directives pour l'emploi des cordons de rallonge

- Si vous utilisez une rallonge à l'extérieur, assurez-vous qu'elle est marquée des sigles « W-A » (« W » au Canada) indiquant qu'elle est adéquate pour usage extérieur.
- Assurez-vous que le cordon de rallonge est correctement câblé et en bonne condition. Remplacez tout cordon de rallonge détérioré ou faites-le remettre en état par une personne compétente avant de vous en servir.
- Tenez votre cordon de rallonge à l'écart des objets ranchants, des sources de grande chaleur et des endroits humides ou mouillés.

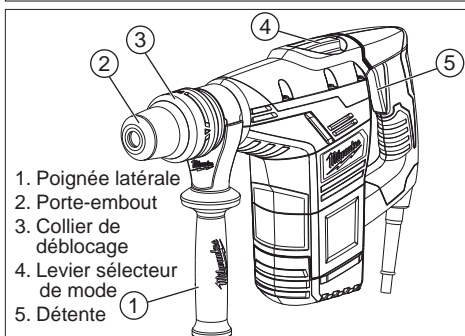
Calibres minimaux recommandés pour les cordons de rallonge*

Fiche signalétique Ampères	Longueur du cordon de rallonge (m)					
	7,6	15,2	22,8	30,4	45,7	60,9
0 - 5,0	16	16	16	14	12	12
5,1 - 8,0	16	16	14	12	10	--
8,1 - 12,0	14	14	12	10	--	--
12,1 - 15,0	12	12	10	10	--	--
15,1 - 20,0	10	10	10	--	--	--

* Basé sur sur une chute de voltage limite de 5 volts à 150% de l'intensité moyenne de courant.

LISEZ ATTENTIVEMENT CES INSTRUCTIONS ET CONSERVEZ-LES POUR LES CONSULTER AU BESOIN.

DESCRIPTION FONCTIONNELLE



- Poignée latérale
- Porte-embout
- Collier de déblocage
- Levier sélecteur de mode
- Détente

PICTOGRAPHIE

	Couvant alternatif
	Ampères
$n_0 \text{ xxx} \text{ min.}^{-1}$	tours-minute à vide (RPM)
BPM	t-min. charge/vide
	Underwriters Laboratories, Inc., États-Unis et Canada
	Inscription mexicaine d'approbation
	Système antivibration

MONTAGE DE L'OUTIL

AVERTISSEMENT Pour minimiser les risques de blessures, débranchez toujours l'outil avant d'y faire des réglages, d'y attacher ou d'en enlever les accessoires. L'usage d'accessoires autres que ceux qui sont spécifiquement recommandés pour cet outil peut comporter des risques.

AVERTISSEMENT Pour minimiser les risques de blessures corporelles, utilisez toujours la poignée latérale lorsque vous maniez l'outil. Étayez-la ou maintenez-la solidement.

Attache de poignée latérale

- Desserrez la poignée latérale en dévissant son attache jusqu'à ce que la poignée pivote librement.
- Faites tourner la poignée latérale à la position désirée.
- Serrez fermement l'attache de la poignée latérale.

AVERTISSEMENT Pour minimiser les risques de blessures, gardez les mains et le cordon à distance de la mèche et des pièces en mouvement.

Installation des mèches et des ciseaux

S'assurer que la tige de la mèche soit propre pour éviter que les particules de poussières ne nuisent au parfait alignement de la mèche. Pour éviter d'endommager l'engrenage et de provoquer la surchauffe du moteur, ne pas employer de mèches d'un calibre supérieur aux dimensions maximales recommandées pour ce foret. Pour obtenir un rendement maximal, s'assurer que la mèche est correctement aiguisée et que sa tige est légèrement graissée avant utilisation. Faire preuve de prudence en manipulant des mèches chaudes et des ciseaux.

Système d'entraînement SDS-Max

- Débrancher l'outil.
- Introduire la mèche ou le ciseau dans le bec de l'outil.
- Pousser la mèche dans l'outil jusqu'à entendre son enclenchement.
- Vérifier que le foret est verrouillé en le tirant vers l'extérieur.
- Pour retirer les mèches ou les ciseaux, tirer le collier de dégagement de la mèche et la faire sortir.

Système d'entraînement à cannelure

- Débrancher l'outil.
- Introduire la mèche ou le ciseau dans le bec de l'outil. En cas d'utilisation d'une mèche rotative, s'assurer que les cannelures de la tige s'engagent avec les cannelures à l'intérieur du bec de l'outil. En cas d'utilisation d'un ciseau, s'assurer que l'encoche de la tige soit vers le haut.
- Pousser la mèche dans l'outil jusqu'à entendre son enclenchement.
- Vérifier que le foret est verrouillé en le tirant vers l'extérieur.
- Pour retirer les mèches ou les ciseaux, tirer le collier de dégagement de la mèche vers l'arrière de l'outil et la faire sortir.

MANIEMENT

AVERTISSEMENT Pour minimiser les risques de blessures, débranchez toujours l'outil avant d'y faire des réglages, d'y attacher ou d'en enlever les accessoires. L'usage d'accessoires autres que ceux qui sont spécifiquement recommandés pour cet outil peut comporter des risques.

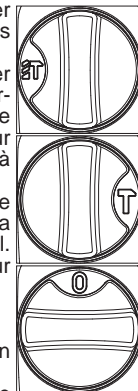
AVERTISSEMENT Pour minimiser les risques de blessures, portez des lunettes à coques latérales.

AVERTISSEMENT Pour minimiser les risques de blessures, gardez les mains et le cordon à distance de la mèche et des pièces en mouvement.

Sélection de l'action

Les marteaux rotatifs *MILWAUKEE* sont munis de trois réglages : percussion avec rotation, percussion uniquement et réglage de burinage.

- Percussion avec rotation. Utiliser ce réglage pour percer des trous avec des forets.
- Percussion uniquement. À utiliser avec les accessoires pour la « percussion uniquement ». Utiliser ce réglage pour le burinage ou pour régler des pièces d'ancrage à autoforage.
- Réglage de burinage. Utiliser ce réglage pour ajuster l'angle de la lame de burin par rapport à l'outil. Tout en ayant un burin monté sur l'outil :
 - tourner le bouton à ce réglage
 - placer le burin à l'angle désiré
 - régler l'outil pour la percussion uniquement



NOTE : Pour engager le mécanisme de percussion, maintenir la pression sur la mèche. Lorsque la pression sur la mèche est relâchée, la percussion s'arrête.

Démarrage et arrêt

- Pour démarrer l'outil, tenir fermement la poignée et appuyer sur la gâchette.
- Pour arrêter l'outil, relâcher la gâchette. Attendre que le moteur s'arrête complètement avant de déposer l'outil.

Fonctionnement

Positionner l'outil, tenir les poignées fermement et appuyer sur la gâchette. Tenir toujours l'outil en toute sécurité à l'aide des deux poignées pour garder le contrôle. Cet outil a été conçu pour atteindre un rendement maximal avec juste une pression modérée. Laissez l'outil faire le travail.

Si la vitesse diminue au moment de percer des trous profonds ou de grandes dimensions, retirer la mèche partiellement hors du trou alors que l'outil est en marche afin de faciliter l'évacuation de la poussière. Ne pas utiliser de l'eau pour enlever la

poussière car ceci risque d'obstruer les goujures de la mèche, ce qui entraînerait le coincement de la mèche dans le trou. Si la mèche se coince, un limiteur de couple intégré non réglable empêche la mèche de tourner. Si cela se produit, arrêter l'outil, dégager la mèche et recommencer l'opération.

Démarrage à froid

Si cet outil est rangé pendant une longue période ou dans un endroit à basse température, il se peut que la percussion ne débute pas immédiatement parce que le lubrifiant sera figé. Pour réchauffer l'outil :

1. Insérer une mèche ou un ciseau dans l'outil et verrouiller.
2. Appuyer sur la gâchette et appliquer une force sur la mèche ou le ciseau contre une surface de béton ou de bois pour quelques secondes. Relâcher la gâchette.
3. Répéter jusqu'à voir l'outil commencer à percer. Plus l'outil sera froid, plus le temps de réchauffement sera long.

AVERTISSEMENT Utiliser les trépan carottiers MILWAUKEE. Ne pas utiliser les composants LHS (systèmes pour grands orifices). Les mèches peuvent se casser au niveau du goujon fileté et causer des blessures et des dommages.

Utilisation des trépan carottiers à percussion rotatifs

Les trépan carottiers sont utiles pour percer des orifices plus larges pour les conduits ou les tubes. Les trépan carottiers extra robustes de MILWAUKEE sont constituées d'un corps en acier traité thermiquement et d'une pointe robuste en carbure. Ces trépan carottiers sont spécialement conçus pour un perçage rapide et précis avec un marteau rotatif.

1. Nettoyez et lubrifiez les filets de l'adaptateur et du trépan carottier pour faciliter son extraction. Vissez l'extrémité fileté de l'adaptateur à l'arrière du trépan carottier.
2. Poussez la plaque de guidage sur l'extrémité pointue de la broche centrale. Introduisez la broche centrale et la plaque de guidage dans le trépan carottier. Assurez-vous que la petite extrémité de la broche centrale est fermement fixée dans l'orifice central du trépan carottier.
3. Introduisez l'adaptateur dans l'embout de l'outil (voir « Installation des mèches et des ciseaux »). Placez le sélecteur de mode sur « martelage avec rotation ».



4. Poussez la broche centrale contre la marque centrale, maintenez fermement l'outil et tirez sur la gâchette.

N.B.: Si une broche centrale et une plaque de guidage ne sont pas disponibles, utilisez un gabarit ou une plaque crantée pour commencer le trou.

5. Après avoir percé à une profondeur approximativement égale à la taille de la dent du trépan carottier, retirez la broche centrale et la plaque de guidage du trépan carottier. Terminez le perçage.

6. Pour remplacer le trépan carottier, orientez l'outil vers le haut (pas vers vous) et faites-le fonctionner durant cinq secondes en mode « martelage avec rotation » jusqu'à ce que le trépan carottier se desserre de l'adaptateur.

N.B.: Pour percer des orifices plus profonds, enlevez le trépan carottier, cassez et retirez le noyau. Terminez le perçage. Lors du perçage d'orifices profonds, retirez partiellement le trépan carottier tous les 25 mm (1") de l'orifice tout en maintenant l'outil en fonctionnement afin d'éliminer les poussières des cannelures du trépan carottier. Les poussières peuvent obstruer les cannelures et coincer le trépan carottier dans l'orifice. Dans ce cas, arrêtez l'outil, libérez le trépan carottier et recommencez.



Perçage de gros trous avec des trépan carottiers

Lors du perçage de trous avec des trépan carottiers de grand diamètre, de la poussière peut s'accumuler dans la coupe et l'outil peut caler, se coincer ou couper lentement. En créant une ouverture pour laisser la poussière s'échapper, le temps de perçage et les contraintes de l'outil et carottier sont réduites.

1. Commencer la coupe normalement.

2. Une fois la mèche fermement en place dans la coupe (à une profondeur d'environ 6,4 mm (1/4"), retirer la mèche de la coupe.

3. Retirer le trépan de l'outil.

4. Installer une mèche à goujure standard, d'un diamètre approximatif de 22 mm (7/8"), sur l'outil.

5. Percer un trou perpendiculaire par la saignée du gros trou.

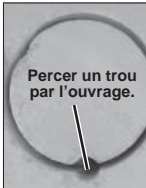
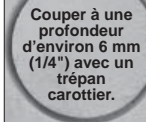
• Selon l'emplacement de l'ouvrage, le trou doit déboucher de l'autre côté du trou/plancher ou dépasser de 101,6 mm à 127 mm (4" à 5") l'extrémité de la pièce travaillée (dans la terre sous une dalle de ciment par exemple).

• Si de la poussière s'accumule dans le trou, l'aspirer et continuer à percer.

• En cas de perçage à travers un mur, le trou pour la poussière doit être percé sur la partie la plus basse de la saignée du gros trou, la poussière tombant à cet emplacement lors du perçage et pouvant être plus facilement évacuée.

6. Installer le trépan carottier et continuer à percer. La poussière et les débris tombent par le trou, ce qui optimise la capacité de coupe du trépan ou de la mèche.

N.B. : En cas d'impossibilité de percer un trou dans la saignée, tirer le trépan en arrière avec le marteau en marche. Cela doit retirer un peu de poussière et de débris de la coupe. Répéter cette opération à chaque pouce percé. Si nécessaire, aspirer la poussière et les débris de la coupe et de la zone environnante.



7. Pour le trépan carottier, une fois la profondeur maximale du trépan carottier percée, la carotte doit être cassée et retirée.

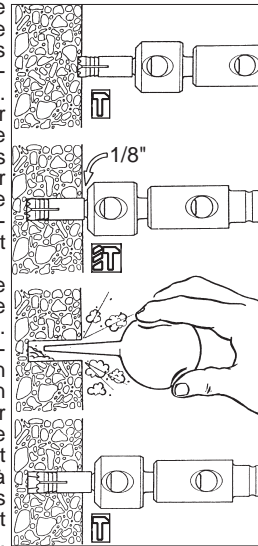
- Installer une mèche burin.
- Placer le burin dans la saignée du trou.
- Buriner dans la saignée en divers points jusqu'à ce que la carotte soit détachée ou cassée.
- Retirer la carotte et aspirer/retirer toute la poussière et tous les débris restants.
- Installer le trépan carottier et continuer la coupe.

AVERTISSEMENT Pour réduire le risque de blessures et de dommages à l'outil ou le travail:

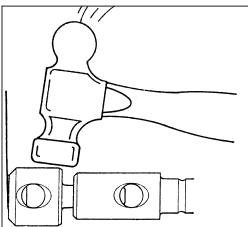
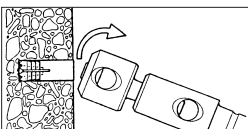
- Toujours utiliser le réglage « percussion uniquement » pour ajuster le point d'ancrage. Ne jamais utiliser le réglage « percussion-avec-rotation » pour ajuster le point d'ancrage.
- Ne jamais passer l'outil à la fonction « percussion-avec-rotation » qu'après avoir ajusté le point d'ancrage et retiré les pièces d'ancrage dentelées du point d'ancrage.

Réglage des pièces d'ancrage à autoforage
Les pièces d'ancrage dentelées MILWAUKEE exigent l'emploi d'un adaptateur conique de type « B ».

1. Placer la pièce d'ancrage dentelée appropriée dans l'adaptateur conique de type « B ». Ensuite, insérer l'adaptateur conique de type « B » dans l'outil et verrouiller en place tel que décrit. Voir « Installation des mèches et des ciseaux ».
2. Introduire l'ancrage dans la pièce d'ancrage dentelée. Mettre le commutateur en position de « percussion uniquement ». Poser la pièce d'ancrage sur le repère et marteler jusqu'à ce que les dents de la pièce aient pénétré le béton.
3. Mettre le commutateur en position de « percussion-avec-rotation » et forer jusqu'à voir la tige à 3 mm (1/8") au-dessus du béton.
NOTE : Il peut être nécessaire de débarrasser le point d'ancrage de la poussière et des rognures plusieurs fois durant le forage d'un trou.
4. Retirer le point d'ancrage du trou pendant que l'outil tourne encore. Nettoyer le point d'ancrage de la poussière et des rognures en la pointant vers le bas et en actionnant plusieurs fois le moteur de l'outil de façon intermittente. Retirer la poussière du trou à l'aide d'un aspirateur ou d'une poire à souffler.



- Placer la cheville de retenue dans le point d'ancrage et introduire le point d'ancrage dans le trou. Remettre le commutateur en position de « percussion uniquement » et marteler fermement l'ancrage dans le trou.
- Détacher la tête du point d'ancrage. Pour retirer la tête de points d'un calibre maximal de 16 mm (5/8"), maintenir solidement les poignées et tirer brusquement l'outil vers soi ou détacher la tête du point d'ancrage avec un marteau tel qu'indiqué. Le point d'ancrage est à présent prêt à recevoir un boulon.
- Pour retirer la tête du point d'ancrage du mandrin à pièce d'ancrage dentelée, utiliser le goujon d'éjection #48-86-0100.
- Pour retirer la pièce d'ancrage dentelée, retirer d'abord l'adaptateur conique de type «B» du bec de l'outil. Introduire le goujon d'éjection fourni avec l'adaptateur dans le trou sur le côté de l'adaptateur conique de type «B» et frapper d'un coup sec pour éjecter la pièce d'ancrage dentelée.



Cisellement et burinage

Les marteaux rotatifs **MILWAUKEE** peuvent être employés pour le burinage et le cisellement. Pour buriner, tenir l'outil à angle de la surface de travail. Commencer par un coin ou en bordure de la surface et ciseler une petite partie de cette surface à la fois plutôt que d'en prendre trop grand. Plusieurs genres d'accessoires sont offerts :

	Bouchardes - Employées pour les surfaces en béton.
	Ciseaux à mortier (outils à joint) - Servant à enlever le vieux mortier avant de jointoyer ou de calefeutrer.
	Ciseaux à pointe robuste - Employés pour les travaux de démolition et pour commencer le forage d'un trou dans une dalle de béton.
	Ciseaux à plat - Employés pour cisailer les bords, rainurer et dégrossir les surfaces.
	Ciseaux à détartre - Servant à enlever le tartre et les éclaboussures de soudage ou à couper en ligne droite.
	Ciseaux à fendre - Pour faire des fentes et découper entre les trous pratiqués dans le béton ou la maçonnerie.

ACCESOIRES

AVERTISSEMENT Débranchez toujours l'outil avant de changer ou d'enlever les accessoires. L'utilisation d'autres accessoires que ceux qui sont spécifiquement recommandés pour cet outil peut comporter des risques.

Pour une liste complète des accessoires, prière de se reporter au catalogue **MILWAUKEE** Electric Tool ou visiter le site internet www.milwaukeetool.com. Pour obtenir un catalogue, il suffit de contacter votre distributeur local ou l'un des centres-service.

MAINTENANCE

AVERTISSEMENT Pour minimiser les risques de blessures, débranchez toujours l'outil avant d'y effectuer des travaux de maintenance. Ne faites pas vous-même le démontage de l'outil ni le rebobinage du système électrique. Consultez un centre de service **MILWAUKEE** accrédité pour toutes les réparations.

Entretien de l'outil

Gardez l'outil en bon état en adoptant un programme d'entretien ponctuel. Avant de vous en servir, examinez son état en général. Inspectez-en la garde, interrupteur, cordon et cordon de rallonge pour en déceler les défauts. Vérifiez le serrage des vis, l'alignement et le jeu des pièces mobiles, les vices de montage, bris de pièces et toute autre condition pouvant en rendre le fonctionnement dangereux. Si un bruit ou une vibration insolite survient, arrêtez immédiatement l'outil et faites-le vérifier avant de vous en servir de nouveau. N'utilisez pas un outil défectueux. Fixez-y une étiquette marquée « HORS D'USAGE » jusqu'à ce qu'il soit réparé (voir « Réparations »).

Normalement, il ne sera pas nécessaire de lubrifier l'outil avant que le temps ne soit venu de remplacer les balais. Après une période pouvant aller de 6

mois à un an, selon l'usage, retournez votre outil à un centre de service **MILWAUKEE** accrédité pour obtenir les services suivants:

- Lubrification
- Inspection et remplacement des balais
- Inspection et nettoyage de la mécanique (engrenages, pivots, coussinets, boîtier etc.)
- Inspection électrique (interrupteur, cordon, induit etc)
- Vérification du fonctionnement électromécanique

AVERTISSEMENT Pour minimiser les risques de blessures, choc électrique et dommage à l'outil, n'immergez jamais l'outil et ne laissez pas de liquide s'y infiltrer.

Nettoyage

Débarrassez les événements des débris et de la poussière. Gardez les poignées de l'outil propres, à sec et exemptes d'huile ou de graisse. Le nettoyage de l'outil doit se faire avec un linge humide et un savon doux. Certains nettoyants tels l'essence, la térébenthine, les diluants à laque ou à peinture, les solvants chlorés, l'ammoniaque et les détergents d'usage domestique qui en contiennent pourraient détériorer le plastique et l'isolation des pièces. Ne laissez jamais de solvants inflammables ou combustibles auprès des outils.

Réparations

Si votre outil est endommagé, retourne l'outil entier au centre de maintenance le plus proche.

GARANTIE LIMITÉE – MEXIQUE, AMÉRIQUE CENTRALE ET CARAÏBES

TECHTRONIC INDUSTRIES' garantit le produit pendant cinq ans à partir de la date d'achat d'origine. Le présent bon de garantie couvre tous les vices de matériau et de fabrication que peut afficher cet outil électrique. Pour assurer la validité de la présente garantie, veuillez présenter le bon de commande, estampillé du sceau du distributeur ou du magasin où le produit a été acheté, au centre de réparations agréé. Si le bon de commande n'a pas été estampillé, veuillez fournir la preuve d'achat d'origine au centre de réparations agréé. Pour un entretien, des pièces, des accessoires ou d'autres composants, composer sans frais le 1-800-832-1949 afin d'obtenir les coordonnées du centre de réparations agréé le plus près.

Procédure pour assurer la validité de la garantie

Présenter le produit au centre de réparations agréé, accompagné du bon de commande estampillé du sceau du distributeur ou du magasin où le produit a été acheté. Toute pièce défectueuse ou tout composant défectueux sera remplacé sans frais. Milwaukee assume tous les frais de transport liés à ce processus de garantie.

Exceptions

La garantie ne s'applique pas dans les situations suivantes :

- Si le produit a été utilisé pour une fin autre que celle indiquée dans le guide de l'utilisateur final ou le manuel d'instructions.
- Si les conditions d'utilisations ne sont pas habituelles.

c) Si le produit a été modifié ou réparé par une personne non autorisée par TECHTRONIC INDUSTRIES.

Note : Si le cordon électrique est endommagé, il doit être remplacé par un centre de réparations agréé pour éviter les risques d'électrocution.

Modèle : _____

Date d'achat : _____

Sceau du distributeur ou du magasin : _____

CENTRE DE RÉPARATIONS ET DE SERVICE
Rafael Buelna No.1.
Col. Tezozomoc Mexico, Azcapotzalco D.F.
Ph. 01 800 832 1949

IMPORTÉ ET COMMERCIALISÉ PAR :
TECHTRONIC INDUSTRIES MEXICO, S.A. DE C.V.
Av. Santa Fe 481 piso 6, Col. Curz Manca.
CP 05349, Cuajimalpa, D.F.

GARANTIE LIMITÉE - AUX ÉTATS-UNIS ET AU CANADA

Chaque outil électrique MILWAUKEE (y compris les produits sans fil [outils, piles, chargeur de piles, lampe de travail]; consulter les énoncés de la GARANTIE LIMITÉE DES BLOCS-PILES SANS FIL) est garanti à l'acheteur d'origine être exempt de vice de matériau et de fabrication. Sous réserve de certaines exceptions, MILWAUKEE réparera ou remplacera toute pièce d'un outil électrique qui, après examen par MILWAUKEE, s'est avérée être affectée d'un vice de matériau ou de fabrication pendant une période de cinq (5) ans* après la date d'achat, sauf indication contraire. Retourner l'outil électrique, à un centre de réparations en usine MILWAUKEE ou à un poste d'entretien agréé MILWAUKEE, en port prépayé et assuré. Une copie de la preuve d'achat doit être présentée au moment de retourner le produit. Cette garantie ne couvre pas les dommages que MILWAUKEE détermine être causés par des réparations ou des tentatives de réparation par quiconque autre que le personnel agréé par MILWAUKEE, des utilisations incorrectes, des altérations, des utilisations abusives, une usure normale, une carence d'entretien ou des accidents.

*La période de garantie applicable pour les radios de chantier, le port d'alimentation M12™ et les chariots de travail industriels Trade Titan™ est d'une durée d'un (1) an à partir de la date d'achat. La période de la garantie couvrant la lampe de travail à DEL et l'ampoule améliorée à DEL est une garantie À VIE limitée à l'acheteur d'origine seulement; si, lors d'une utilisation normale, l'ampoule à DEL présente une défectuosité, la lampe de travail et l'ampoule seront remplacées sans frais.

*Cette garantie ne s'applique pas aux cloueuses-agrafeuses pneumatiques, aux pulvérisateurs à peinture sans air, aux blocs piles pour outils sans fil, aux génératrices d'alimentation portatives à essence, aux outils à main, aux monte-charge – électrique, à levier et à chaîne (manuel), aux vestes chauffantes M12™, aux produits réusinés, ni aux produits d'essai et de mesure. Il existe des garanties distinctes pour ces produits.

L'enregistrement de la garantie n'est pas nécessaire pour bénéficier de la garantie en vigueur sur un outil électrique MILWAUKEE. La date de fabrication du produit servira à établir la période de garantie si aucune preuve d'achat n'est fournie lorsqu'une demande de service sous garantie est présentée.

L'ACCEPTATION DES RECOURS EXCLUSIFS DE RÉPARATION ET DE REMPLACEMENT DÉCRITS AUX PRÉSENTES EST UNE CONDITION DU CONTRAT D'ACHAT DE TOUT PRODUIT MILWAUKEE. SI VOUS N'ACCEPTÉZ PAS CETTE CONDITION, VOUS NE DEVEZ PAS ACHETER LE PRODUIT. EN AUCUN CAS MILWAUKEE NE SAURAIT ÊTRE RESPONSABLE DE TOUT DOMMAGE ACCESSOIRE, SPÉCIAL OU INDIRECT, DE DOMMAGES-INTÉRÊTS PUNITIFS OU DE TOUTE DÉPENSE, D'HONORAIRES D'AVOCATS, DE FRAIS, DE PERTE OU DE DÉLAIS ACCESSOIRES À TOUT DOMMAGE, DÉFAILLANCE OU DÉFAUT DE TOUT PRODUIT, Y COMPRIS NOTAMMENT LES PERTES DE PROFIT. CERTAINS ÉTATS ET PROVINCES NE PERMETTANT PAS L'EXCLUSION OU LA LIMITATION DES DOMMAGES DIRECTS OU INDIRECTS, LES RESTRICTIONS CI-DESSUS PEUVENT NE PAS ÊTRE APPLICABLES. CETTE GARANTIE EST EXCLUSIVE ET REMPLACE TOUTE AUTRE GARANTIE EXPRESSE, QU'ELLE SOIT ORALE OU ÉCRITE. DANS LA MESURE PERMISE PAR LA LOI, MILWAUKEE RENONCE À TOUTE GARANTIE IMPLICITE, Y COMPRIS, SANS S'Y LIMITER, TOUTE GARANTIE IMPLICITE DE QUALITÉ MARCHANDE OU D'ADAPTATION À UNE UTILISATION OU À UNE FIN PARTICULIÈRE. DANS LA MESURE OÙ UNE TELLE STIPULATION D'EXONÉRATION N'EST PAS PERMISE PAR LA LOI, LA DURÉE DE CES GARANTIES IMPLICITES EST LIMITÉE À LA PÉRIODE APPLICABLE DE LA GARANTIE EXPRESSE, TEL QUE DÉCRIT PRÉCÉDEMMENT. CERTAINS ÉTATS ET PROVINCES NE PERMETTANT PAS DE LIMITATION DE DURÉE DES GARANTIES IMPLICITES, LES RESTRICTIONS CI-DESSUS PEUVENT NE PAS ÊTRE APPLICABLES. LA PRÉSENTE CONFÈRE À L'UTILISATEUR DES DROITS LÉGAUX PARTICULIERS; IL BÉNÉFICIE ÉGALEMENT D'AUTRES DROITS QUI VARIENT D'UN ÉTAT À L'AUTRE.

Cette garantie s'applique aux produits vendus aux États-Unis et au Canada uniquement.

Veuillez consulter la rubrique Centre SAV MILWAUKEE, dans la section Pièces & Service du site Web de MILWAUKEE, à l'adresse www.milwaukeeetool.com, ou composer le 1-800-SAWDUST (1-800-729-3878) afin de trouver le centre de réparations en usine MILWAUKEE le plus près.

ADVERTENCIAS DE SEGURIDAD GENERALES PARA LA HERRAMIENTA ELÉCTRICA

⚠ ADVERTENCIA LEA TODAS LAS ADVERTENCIAS E INSTRUCCIONES DE SEGURIDAD. Si no sigue todas las advertencias e instrucciones, se pueden provocar una descarga eléctrica, un incendio o lesiones graves.

Guarde todas las advertencias e instrucciones para consultarlas en el futuro. El término "herramienta eléctrica" en todas las advertencias incluidas más abajo se refiere a su herramienta operada por conexión (cable) a la red eléctrica o por medio de una batería (inalámbrica).

SEGURIDAD EN EL ÁREA DE TRABAJO

- **Mantenga limpia y bien iluminada el área de trabajo.** Las áreas desordenadas u oscuras contribuyen a que se produzcan accidentes.
- **No utilice herramientas eléctricas en atmósferas explosivas, como en la presencia de líquidos, gases o polvo inflamables.** Las herramientas eléctricas crean chispas que pueden incendiar el polvo o las emanaciones.
- **Mantenga a los niños y otras personas alejadas mientras utiliza una herramienta eléctrica.** Las distracciones pueden hacerle perder el control.

SEGURIDAD ELÉCTRICA

- **Los enchufes de las herramientas eléctricas deben ser del mismo tipo que el tomacorrientes. Nunca realice ningún tipo de modificación en el enchufe. No use enchufes adaptadores con herramientas eléctricas con conexión a tierra.** Se reducirá el riesgo de descarga eléctrica si no se modifican los enchufes y los tomacorrientes son del mismo tipo.
- **Evite el contacto corporal con superficies con conexión a tierra, como tuberías, radiadores, estufas y refrigeradores.** El riesgo de descarga eléctrica aumenta si su cuerpo está conectado a tierra.
- **No exponga la herramientas eléctricas a la lluvia o a condiciones de humedad.** El agua que entra en una herramienta eléctrica aumenta el riesgo de descarga eléctrica.
- **No abuse del cable. Nunca use el cable para transportar la herramienta eléctrica, tirar de ella o desenchufarla. Mantenga el cable alejado del calor, los bordes afilados o las piezas en movimiento.** Los cables dañados o enmarañados aumentan el riesgo de descarga eléctrica.
- **Cuando se utiliza una herramienta eléctrica en el exterior, use una extensión que sea apropiada para uso en el exterior.** El uso de un cable apropiado para el exterior reduce el riesgo de descarga eléctrica.
- **Si debe operar una herramienta eléctrica en un lugar húmedo, utilice un suministro protegido por un dispositivo de corriente residual (RCD).** Usar un RCD reduce el riesgo de que se produzcan descargas eléctricas.

SEGURIDAD PERSONAL

- **Manténgase alerta, ponga cuidado a lo que está haciendo y use el sentido común cuando utilice una herramienta eléctrica. No use una**

herramienta eléctrica cuando está cansado o bajo la influencia de drogas, alcohol o medicamentos. Despijarse un minuto cuando se utiliza una herramienta eléctrica puede tener como resultado lesiones personales graves.

- **Use un equipo de protección personal. Lleve siempre protección ocular.** Llevar un equipo de protección apropiado para la situación, como una máscara antipolvo, zapatos de seguridad antideslizantes, un casco o protección auditiva, reducirá las lesiones personales.
- **Evite el encendido accidental. Asegúrese de que el interruptor esté en la posición de apagado antes de conectarlo a la toma de alimentación o a la batería, al levantar o mover la herramienta.** Mover herramientas con el dedo en el interruptor o enchufarlas con el interruptor en la posición de encendido contribuye a que se produzcan accidentes.
- **Quite todas las llaves de ajuste antes de encender la herramienta.** Una llave que esté acoplada a una pieza giratoria de la herramienta puede provocar lesiones personales.
- **No se estire demasiado. Mantenga los pies bien asentados y el equilibrio en todo momento.** Esto permite tener mejor control de la herramienta eléctrica en situaciones inesperadas.
- **Vístase de manera apropiada. No lleve ropa suelta ni joyas. Mantenga el cabello, la ropa y los guantes lejos de la piezas en movimiento.** La ropa floja, las joyas o el cabello largo pueden quedar atrapados en las piezas en movimiento.
- **Si se proporcionan dispositivos para la conexión de sistemas de recolección y extracción de polvo, asegúrese de que estén conectados y se usen apropiadamente.** El uso de estos dispositivos puede reducir los peligros relacionados con el polvo.

USO Y CUIDADO DE LAS HERRAMIENTAS ELÉCTRICAS

- **No fuerce la herramienta eléctrica. Use la herramienta eléctrica correcta para la aplicación.** La herramienta eléctrica correcta funcionará mejor y de manera más segura a la velocidad para la que se diseñó.
- **No use la herramienta eléctrica si el interruptor no la enciende ni la apaga.** Cualquier herramienta eléctrica que no se pueda controlar con el interruptor es peligrosa y se debe reparar.
- **Desconecte el enchufe de la toma de alimentación y/o la batería de la herramienta eléctrica antes de realizar cualquier ajuste, cambiar**

accesorios o almacenar las herramientas eléctricas. Dichas medidas preventivas de seguridad reducen el riesgo de que la herramienta se prenda accidentalmente.

- **Almacene las herramientas eléctricas fuera del alcance de los niños y no permita que personas no familiarizadas con ellas o estas instrucciones las utilicen.** Las herramientas eléctricas son peligrosas en las manos de usuarios no capacitados.
- **Mantenimiento de las herramientas eléctricas.** Revise que no haya piezas móviles que estén desalineadas o que se atasquen, piezas rotas ni ninguna otra condición que pueda afectar el funcionamiento de la herramienta eléctrica. Si se encuentran daños, haga que le reparen la herramienta antes de usarla. Las herramientas mal mantenidas son la causa de muchos accidentes.
- **Mantenga las herramientas de corte limpias y afiladas.** Es menos probable que se atasquen las herramientas de corte con filos afilados que se mantienen de manera apropiada y también son más fáciles de controlar.
- **Use la herramienta eléctrica, los accesorios, las brocas, etc. siguiendo estas instrucciones, teniendo en cuenta las condiciones de trabajo y la tarea que se va a realizar.** El uso de la herramienta eléctrica para operaciones diferentes de aquellas para las que se diseñó podría originar una situación peligrosa.

MANTENIMIENTO

- **Haga que un técnico calificado realice el mantenimiento de la herramienta eléctrica utilizando solamente piezas de repuesto idénticas.** Esto asegurará que se mantiene la seguridad de la herramienta eléctrica.

REGLAS ESPECIFICAS DE SEGURIDAD

- **Lleve protectores auditivos cuando use la broca de impacto.** La exposición a ruido puede producir la pérdida de la audición.
- **Use los asideros auxiliares que se suministran con la herramienta.** La pérdida de control puede provocar lesiones personales.
- **Agarre la herramienta por los asideros aislados cuando realice una operación en la que la herramienta de corte pueda entrar en contacto con cables ocultos o con su propio cable.** El contacto con un cable "con corriente" hará que las partes de metal expuesto de la herramienta pasen la corriente y produzcan una descarga al operador.
- **Mantenga las manos alejadas de todos los bordes cortadores y partes en movimiento.**
- **Guarde las etiquetas y placas de especificaciones.** Estas tienen información importante. Si son ilegibles o si no se pueden encontrar, póngase en contacto con un centro de servicio de MILWAUKEE para una refacción gratis.
- **ADVERTENCIA:** Algunas partículas de polvo resultantes del lijado mecánico, aserrado, esmerilado, taladrado y otras actividades relacionadas a la construcción, contienen sustancias químicas

que se saben ocasionan cáncer, defectos congénitos u otros daños al aparato reproductivo. A continuación se citan algunos ejemplos de tales sustancias químicas:

- plomo proveniente de pinturas con base de plomo
 - sílice cristalino proveniente de ladrillos, cemento y otros productos de albañilería y
 - arsénico y cromo provenientes de madera químicamente tratada.
- El riesgo que usted sufre debido a la exposición varía dependiendo de la frecuencia con la que usted realiza estas tareas. Para reducir la exposición a estas sustancias químicas: trabaje en un área bien ventilada, y utilice equipo de seguridad aprobado como, por ejemplo, máscaras contra el polvo que hayan sido específicamente diseñadas para filtrar partículas microscópicas.

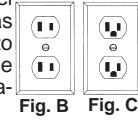
TIERRA

ADVERTENCIA Puede haber riesgo de descarga eléctrica si se conecta el cable de conexión de puesta a tierra incorrectamente. Consulte con un electricista certificado si tiene dudas respecto a la conexión de puesta a tierra del tomacorriente. **No modifique el enchufe que se proporciona con la herramienta. Nunca retire la clavija de conexión de puesta a tierra del enchufe. No use la herramienta si el cable o el enchufe está dañado. Si está dañado antes de usarlo, llévelo a un centro de servicio MILWAUKEE para que lo reparen. Si el enchufe no se acopla al tomacorriente, haga que un electricista certificado instale un toma-corriente adecuado.**

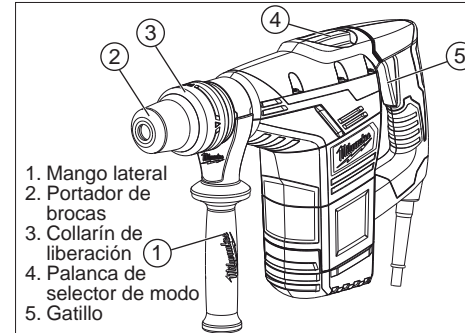
Herramientas con conexión a tierra: Herramientas con enchufes de tres clavijas
Las herramientas marcadas con la frase "Se requiere conexión de puesta a tierra" tienen un cable de tres hilos y enchufes de conexión de puesta a tierra de tres clavijas. El enchufe debe conectarse a un tomacorriente debidamente conectado a tierra (véase la Figura A). Si la herramienta se averiara o no funcionara correctamente, la conexión de puesta a tierra proporciona un trayecto de baja resistencia para desviar la corriente eléctrica de la trayectoria del usuario, reduciendo de este modo el riesgo de descarga eléctrica.
La clavija de conexión de puesta a tierra en el enchufe está conectada al sistema de conexión de puesta a tierra de la herramienta a través del hilo verde dentro del cable. El hilo verde debe ser el único hilo conectado al sistema de conexión de puesta a tierra de la herramienta y nunca se debe unir a una terminal energizada.
Su herramienta debe estar enchufada en un tomacorriente apropiado, correctamente instalado y conectado a tierra según todos los códigos y reglamentos. El enchufe y el tomacorriente deben asemejarse a los de la Figura A.



Herramientas con doble aislamiento: Herramientas con clavijas de dos patas
Las herramientas marcadas con "Doble aislamiento" no requieren conectarse "a tierra". Estas herramientas tienen un sistema aislante que satisface los estándares de OSHA y llena los estándares aplicables de UL (Underwriters Laboratories), de la Asociación Canadiense de Estándares (CSA) y el Código Nacional de Electricidad. Las herramientas con doble aislamiento pueden ser usadas en cualquiera de los toma corriente de 120 Volt mostrados en las Figuras B y C.



DESCRIPCION FUNCIONAL



SIMBOLOGÍA

$V \sim$	Volts corriente alterna
A	Amperios
$n_0 \text{ xxx } \text{min.}^{-1}$	Revoluciones por minuto sin carga (rpm)
BPM	Golpes por minuto
	Underwriters Laboratories, Inc., Estados Unidos y Canadá
	Marca mejicana de la aprobación
	Sistema antivibraciones

ESPECIFICACIONES

Cat. No.	Herramienta				Capacidades			
	Volts ca	A	RPM	golpes por minuto	Portador de brocas	Brocas	Cortadores de corazon	Tunel Brocas
5316-20	120	10,5	450	3 000	Spline	40 mm (1-9/16")	102 mm (4")	67 mm (2-5/8")
5317-20	120	10,5	450	3 000	SDS-Máx	40 mm (1-9/16")	102 mm (4")	67 mm (2-5/8")

EXTENSIONES ELECTRICAS

Las herramientas que deben conectarse a tierra cuentan con clavijas de tres patas y requieren que las extensiones que se utilicen con ellas sean también de tres cables. Las herramientas con doble aislamiento y clavijas de dos patas pueden utilizarse indistintamente con extensiones de dos a tres cables. El calibre de la extensión depende de la distancia que exista entre la toma de la corriente y el sitio donde se utilice la herramienta. El uso de extensiones inadecuadas puede causar serias caídas en el voltaje, resultando en pérdida de potencia y posible daño a la herramienta. La tabla que aquí se ilustra sirve de guía para la adecuada selección de la extensión. Mientras menor sea el número del calibre del cable, mayor será la capacidad del mismo. Por ejemplo, un cable calibre 14 puede transportar una corriente mayor que un cable calibre 16. Cuando use mas de una extensión para lograr el largo deseado, asegúrese que cada una tenga al menos, el mínimo tamaño de cable requerido. Si está usando un cable de extensión para mas de una herramienta, sume los amperes de las varias placas y use la suma para determinar el tamaño mínimo del cable de extensión.

- **Guías para el uso de cables de extensión**
Si está usando un cable de extensión en sitios al aire libre, asegúrese que está marcado con el sufijo "W-A" ("W" en Canadá) el cual indica que puede ser usado al aire libre.
- Asegúrese que su cable de extensión está correctamente cableado y en buenas condiciones eléctricas. Cambie siempre una extensión dañada o hágala reparar por una persona calificada antes de volver a usarla.
- Proteja su extensión eléctrica de objetos cortantes, calor excesivo o areas mojadas.

Calibre mínimo recomendado para cables de extensiones eléctricas*

Amperios (En la placa)	Largo de cable de Extensión en (m)					
	7,6	15,2	22,8	30,4	45,7	60,9
0 - 5,0	16	16	16	14	12	12
5,1 - 8,0	16	16	14	12	10	--
8,1 - 12,0	14	14	12	10	--	--
12,1 - 15,0	12	12	10	10	--	--
15,1 - 20,0	10	10	10	--	--	--

* Basado en limitar la caída en el voltaje a 5 volts al 150% de los amperios.

LEA Y GUARDE TODAS LAS INSTRUCCIONES PARA FUTURAS REFERENCIAS.

ENSAMBLAJE DE LA HERRAMIENTA

ADVERTENCIA Para reducir el riesgo de una lesión, desconecte siempre la herramienta antes de fijar o retirar accesorios, o antes de efectuar ajustes. Utilice sólo los accesorios específicamente recomendados. El uso de otros accesorios puede ser peligroso.

ADVERTENCIA Para reducir el riesgo de una lesión, mantenga las manos y el cable lejos de la broca y de cualquier otra parte en movimiento.

Agarre del mango lateral

1. Afloje el mango lateral desenroscando el agarre del mango lateral hasta que el mango lateral gire libremente.
2. Gire el mango lateral a la posición deseada.
3. Apriete el agarre del mango lateral de forma segura.

ADVERTENCIA Para reducir el riesgo de lesiones, use siempre un mango lateral al operar la herramienta. Siempre agarre o sujete la herramienta firmemente.

Instalación de brocas y cinceles

Asegúrese de que el vástago de la broca esté limpio. Las partículas de suciedad pueden hacer que la broca no se alinee correctamente. No utilice brocas mayores que la capacidad máxima recomendada del taladro porque puede provocar daños a los engranajes o sobrecargar el motor. Para un mejor rendimiento, asegúrese de que la broca esté correctamente afilada y el vástago ligeramente engrasado antes de usar. Tenga especial cuidado cuando manipule brocas y cinceles calientes.

Sistema de taladro SDS-Max

1. Desconecte la herramienta.
2. Introduzca la broca o el cincel en el portabrocas de la herramienta.
3. Empuje la broca dentro de la herramienta hasta que encaje.
5. Compruebe que la broca está asegurada tirando de ella.
6. Para retirar brocas y cinceles, tire hacia atrás el collar de liberación y quite la broca.

Sistema de taladro Spline

1. Desconecte la herramienta.
2. Introduzca la broca o el cincel en el portabrocas de la herramienta.
Si está usando una broca rotativa, asegúrese de que las ranuras en el vástago se engranen con las estrías en el interior de la nariz de la herramienta.
Si está usando un cincel, asegúrese de que la muesca del vástago esté hacia arriba.
3. Empuje la broca dentro de la herramienta hasta que encaje.
4. Compruebe que la broca está asegurada tirando de ella.
5. Para retirar brocas y cinceles, hale el collar de liberación hacia la parte de atrás de la herramienta y quite la broca.

OPERACION

ADVERTENCIA Para reducir el riesgo de una lesión, desconecte siempre la herramienta antes de fijar o retirar accesorios, o antes de efectuar ajustes. Utilice sólo los accesorios específicamente recomendados. El uso de otros accesorios puede ser peligroso.

ADVERTENCIA Para reducir el riesgo de una lesión, use siempre lentes de seguridad o anteojos con protectores laterales.

ADVERTENCIA Para reducir el riesgo de una lesión, mantenga las manos y el cable lejos de la broca y de cualquier otra parte en movimiento.

Selección de Acción

Estos martillos rotatorios *MILWAUKEE* tienen tres opciones: martillo con rotación, sólo martillo y el ajuste de cincel.

1. Martillo con rotación. Use este ajuste para taladrar agujeros con brocas.
2. Sólo martillo. Use esta posición con accesorios de "sólo martillo". Utilice este ajuste para cincelar o fijar anclajes autoperforantes.
3. Ajuste del cincel. Use esta posición para ajustar el ángulo de la hoja del cincel con respecto a la herramienta. Con un cincel montado en la herramienta:

- gire la perilla a este ajuste
- gire el cincel al ángulo deseado
- gire la perilla a "sólo martillo".

NOTA: Para activar el mecanismo de martillado, mantenga la presión sobre la broca. Cuando se libere la presión en la broca, el martilleo se detendrá.

Arranque y detención

1. Para encender la herramienta, agarre el mango firmemente y hale el gatillo.
2. Para detener la herramienta, suelte el gatillo. Asegúrese de que la herramienta se detenga por completo antes de soltarla.

Funcionamiento:

Ponga la herramienta en posición, sujete los mangos con firmeza y presione el gatillo. Sujete siempre la herramienta de manera segura usando los dos mangos para mantener el control. Esta herramienta se ha diseñado para obtener una eficacia máxima a presión moderada. Permita que la herramienta realice el trabajo.
Si la velocidad comienza a disminuir cuando se perforan agujeros grandes o profundos, saque la broca parcialmente del agujero mientras la herramienta está funcionando para ayudar a evacuar el polvo. No use agua para asentar el polvo, ya que se obturarán las estrías de la broca y harán que la broca se atasque en el agujero. Si la broca se atasca, un embrague de deslizamiento incorporado, no ajustable, evita que la broca gire. Si esto ocurre, pare la herramienta, desatásque la broca y comience de nuevo.

Arranque en frío

Si esta herramienta se guarda durante un largo periodo de tiempo o en bajas temperaturas, es posible que no martille inicialmente debido a que el lubricante se ha puesto rígido.
Para calentar la herramienta:

1. Inserte y asegure una broca o un cincel en la herramienta.
2. Hale el gatillo y aplique fuerza a la broca o cincel contra una superficie de hormigón o madera durante unos segundos. Suelte el gatillo.
3. Repita hasta que la herramienta empiece el martilleo. Cuanto más frío esté el martillo, más tiempo tardará en calentarse.

Uso de las brocas sacabocados de percusión rotatorias

Las brocas sacabocados son útiles para taladrar agujeros más grandes en canalizaciones y tuberías. Las brocas sacabocados Heavy-Duty de *MILWAUKEE* constan de cuerpos de acero tratados térmicamente con puntas de carburo de larga duración. Estas brocas sacabocados se han diseñado especialmente para efectuar un taladro rápido y preciso combinado con el martillado y la acción rotatoria.

1. Limpie y engrase las roscas del adaptador y de la broca sacabocados para facilitar su posterior extracción. Enrosque el extremo roscado del adaptador en la parte posterior de la broca sacabocados.
2. Empuje la placa de la guía sobre el extremo en punta del pasador central. Introduzca el conjunto del pasador central y la placa de la guía en la broca sacabocados. Asegúrese de que el extremo pequeño del pasador central se haya sujetado de forma segura en el orificio de la parte central de la broca sacabocados.

3. Introduzca el adaptador en el portabrocas de la herramienta. Coloque el selector de acción en el ajuste de martillado con rotación.
4. Presione el pasador central con firmeza sobre la marca central; sujete la herramienta con fuerza y pulse el gatillo.

NOTA: Si no se dispone de pasador central o de placa de la guía, use una plantilla o un tablero muestreado para iniciar el agujero.
5. Después de taladrar un agujero con una profundidad aproximadamente igual al diámetro de la broca sacabocados, extraiga el pasador central y la placa de la guía de la broca sacabocados. Reanude el taladro.

6. Para cambiar la broca sacabocados, coloque la herramienta hacia arriba, apuntando en dirección contraria al cuerpo del operador y póngala en funcionamiento permitiendo que gire e impacte durante cinco segundos para aflojar la broca sacabocados de la espiga del adaptador. NOTA: Para efectuar agujeros más profundos, extraiga la broca sacabocados para fragmentar y extraer el bocado. Reanude el taladro. Cuando taladre agujeros largos o profundos, tras cada par de centímetros taladrados extraiga parcialmente la broca del agujero mientras que la herramienta sigue funcionando para así eliminar el polvo de las estrías de la broca. El polvo puede obturar las estrías de la broca y atascarla en el agujero. Si esto ocurriera, pare la herramienta, desatásque la broca y comience de nuevo.



Perforación de agujeros de gran diámetro con brocas sacabocados

Cuando se perforen agujeros con brocas sacabocados de gran diámetro, el polvo se puede acumular en el corte y hacer que la herramienta se pare, se atasque o corte lentamente. Al crearse una abertura para que salga el polvo se puede reducir el tiempo de perforación y el esfuerzo de la herramienta y broca.

1. Comience a cortar normalmente.

2. Una vez que la broca esté bien asentada en el corte (aproximadamente a 6 mm (1/4") de profundidad), saque la broca del corte.

3. Extraiga la broca de la herramienta.

4. Instale en la herramienta una broca con estrías normales, de aproximadamente 22 mm (7/8") de diámetro.

5. Taladre un perpendicular agujero a través de la entalladura del agujero grande.

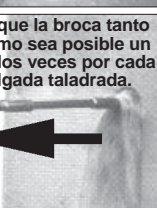
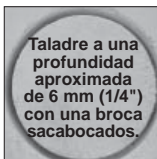
• Dependiendo de la ubicación de la tarea, el agujero debe atravesar al otro lado del agujero/base o extenderse de 101,6 mm a 127 mm (4" a 5") más allá del extremo de la pieza en donde se trabaja (como, por ejemplo, en la tierra por debajo de una plancha de concreto).

• Si el polvo se acumula en el agujero, aspirelo y siga taladrando.

• Si se está taladrando en una pared, el agujero para el polvo se debe perforar en la parte más baja de la entalladura del agujero grande ya que el polvo caerá allí cuando se taladra y se puede extraer más fácilmente.

6. Vuelva a instalar la broca sacabocados y siga taladrando. El polvo y los desechos caerán a través del agujero y mejorarán la capacidad de corte de la broca.

NOTA: Si no se puede taladrar un agujero en la entalladura, retire la broca con el martillo en marcha. Esto eliminará algo de polvo y desechos del corte. Repita este procedimiento por cada pulgada que perforo. Si es



necesario, aspire el polvo y los residuos del corte y el área circundante.

7. Para las brocas sacabocados, una vez que se haya taladrado la profundidad máxima del bocado, Este debe fragmentarse y extraerse.

- Instale una broca de cincel.
- Coloque el cincel en la entalladura del agujero.
- Cincele hacia abajo, en varios puntos de la entalladura, hasta que la muestra se suelte o se rompa.
- Saque el bocado y aspire/retire el polvo y los desechos restantes.
- Instale la broca sacabocados y continúe con el corte.

⚠ ADVERTENCIA Para reducir el riesgo de lesiones personales y daños a la herramienta o el trabajo:

- Utilice siempre el ajuste "sólo martillo" para fijar el anclaje. Nunca use el ajuste "martillo con rotación" para fijar el anclaje.
- Nunca cambie la herramienta a "martillo con rotación" hasta después de fijar el anclaje y el mandril de diente de anclaje se haya quitado del mismo.

Fijación de anclajes auto-perforantes

Los mandriles de diente de anclaje MILWAUKEE requieren un adaptador de cono "B".

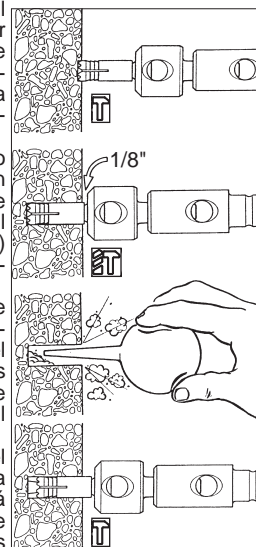
1. Coloque el mandril de diente de anclaje de tamaño adecuado en el adaptador de cono "B". A continuación, inserte adaptador de cono "B" en la herramienta y asegúrelo en su lugar como se describe. Ver "Instalación de brocas y cinceles"

2. Inserte el anclaje en el mandril de diente de anclaje. Ajuste el mando para martillar solamente. Coloque el anclaje en su marca y el martillo hasta que los dientes penetren el hormigón.

3. Ajuste el mando para martillar con rotación y perforo hasta que el mandril esté 3 mm (1/8") por encima del hormigón.

NOTA: Puede que sea necesario limpiar varias veces el polvo y los cortes del anclaje durante la perforación del agujero.

4. Quite el anclaje del agujero mientras la herramienta está funcionando. Limpie el polvo y los cortes del anclaje, apuntándolo hacia abajo y encendiendo y apagando la herramienta varias veces. Limpie el polvo del agujero con una aspiradora o una bomba para soplar.

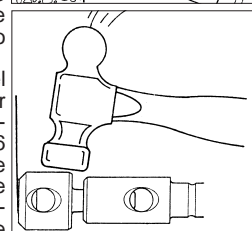
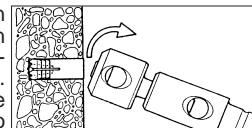


5. Coloque el tapón de expansión en el anclaje e insértelo en el agujero. Cambie el botón de nuevo a sólo martillo y martille el anclaje firmemente dentro del agujero.

6. Corte la cabeza del anclaje. Para quitar la cabeza de los anclajes de hasta 16 mm (5/8"), agarre las asas firmemente y tire de la herramienta bruscamente hacia usted o rompa la cabeza del anclaje con un martillo de mano, como se muestra. Ahora el anclaje está listo para recibir un perno.

7. Para quitar la cabeza del anclaje encajada en el diente de anclaje del mandril, use el pin drift 48-86-0100.

8. Para quitar el mandril de diente de anclaje, quite el adaptador de cono "B" de la nariz de la herramienta. Inserte el pin drift suministrado con el adaptador en el agujero en el lado del adaptador de cono "B" y golpéelo fuerte para forzar la salida de los dientes de anclaje del mandril.



Cincelar y triturar

Los martillos rotatorios MILWAUKEE se pueden utilizar para triturar y cincelar.

Cuando cincelo, mantenga la herramienta en ángulo con respecto a la zona de trabajo. Trabaje desde una esquina o cerca del borde de la pieza, rompiendo una zona pequeña a la vez en lugar de intentar un área demasiado grande.

Hay disponibles una variedad de accesorios.

	Herramientas guarnecedoras - Se utilizan para dar superficie al hormigón.
	Cinceles de corte de mortero (Herramientas de comisura) - Para eliminar mortero viejo para puntear pliegues o masillar.
	Punteadores - Para trabajos de demolición e iniciar agujeros en losas de hormigón.
	Cinceles planos - Para bordear, picar o canalizar.
	Cinceles de decapado - Para eliminar salpicaduras de soldadura o decapar y cortar líneas rectas.
	Cincel de ranurado - para hacer ranuras y cortar entre agujeros perforados en hormigón y mampostería.

MANTENIMIENTO

⚠ ADVERTENCIA Para reducir el riesgo de lesiones, desconecte siempre la herramienta antes de darle cualquier mantenimiento. Nunca desarme la herramienta ni trate de hacer modificaciones en el sistema eléctrico de la misma. Acuda siempre a un Centro de Servicio MILWAUKEE para TODAS las reparaciones.

Mantenimiento de las herramientas

Adopte un programa regular de mantenimiento y mantenga su herramienta en buenas condiciones. Antes de usarla, examine las condiciones generales de la misma. Inspeccione guardas, interruptores, el cable de la herramienta y el cable de extensión. Busque tornillos sueltos o flojos, defectos de alineación y dobleces en partes móviles, así como montajes inadecuados, partes rotas y cualquier otra condición que pueda afectar una operación segura. Si detecta ruidos o vibraciones anormales, apague la herramienta de inmediato y corrija el problema antes de volver a usarla. No utilice una herramienta dañada. Colóquela una etiqueta que diga "NO DEBE USARSE" hasta que sea reparada (vea "Reparaciones").

Bajo condiciones normales, no se requiere lubricación hasta que haya que cambiar los carbones. Después de 6 meses a un año, dependiendo del uso dado, envíe su herramienta al Centro de Servicio MILWAUKEE más cercano para que le hagan:

- Lubricación
- Inspección y cambio de carbones
- Inspección mecánica y limpieza (engranes, flechas, baleros, carcarza, etc.)
- Inspección eléctrica (interruptor, cable, armadura, etc)
- Probarla para asegurar una operación mecánica y eléctrica adecuada.

⚠ ADVERTENCIA Para reducir el riesgo de lesiones, descarga eléctrica o daño a la herramienta, nunca la sumerja en líquidos ni permita que estos fluyan dentro de la misma.

Limpieza

Limpie el polvo y suciedad de las ventilas. Mantenga las empuñaduras de la herramienta limpias, secas y libres de aceite y grasa. Use sólo jabón neutro y un trapo húmedo para limpiar su herramienta ya que algunas sustancias y disolventes limpiadores pueden ocasionar daños a materiales plásticos y partes aislantes. Algunos de estos incluyen: gasolina, trementina, diluyente para barniz, diluyente para pintura, disolventes limpiadores clorados, amoníaco, y detergentes caseros que contengan amoníaco.

Reparaciones

Si su instrumento se daña, vuelva el instrumento entero al más cercano centro de reparaciones.

ACCESORIOS

⚠ ADVERTENCIA Para reducir el riesgo de lesiones, siempre desconecte la herramienta antes de cambiar o retirar accesorios. Utilice únicamente accesorios específicamente recomendados para esta herramienta. El uso de accesorios no recomendados podría resultar peligroso.

Para una lista completa de accesorios, refiérase a su catálogo *MILWAUKEE* Electric Tool o visite nuestro sitio en Internet: www.milwaukeetool.com. Para obtener un catálogo, contacte su distribuidor local o uno de los centros de servicio.

PÓLIZA DE GARANTÍA - VALIDA SOLO PARA MÉXICO, AMÉRICA CENTRAL Y EL CARIBE

TECHTRONIC INDUSTRIES., garantiza por 5 años este producto a partir de la fecha original de compra. Esta garantía cubre cualquier defecto que presenten las piezas, componentes y la mano de obra contenidas en este producto. Para América Central y el Caribe se debe confirmar en el Centro de Servicio Autorizado el plazo de la garantía.

Para hacer efectiva la Garantía deberá presentar al Centro de Servicio Autorizado la Póliza de Garantía sellada por el establecimiento en donde adquirió el producto. Si no la tienen, podrá presentar el comprobante de compra original.

Usted puede llamar sin costo al teléfono 01 800 832 1949 o por correo electrónico a la dirección "servicio@ttigroupna.com", para ubicar el Centro de Servicio Autorizado más cercano a su domicilio, en el cual además podrá adquirir partes, componentes, consumibles y accesorios, que usted necesite.

Procedimiento para hacer válida la garantía

Acuda al Centro de Servicio con el producto y la póliza de garantía sellada por el establecimiento donde realizó la compra. Ahí se reemplazará cualquier pieza o componente defectuoso sin cargo alguno para el usuario final. La empresa se hace responsable de los gastos de transportación razonablemente erogados que se deriven del cumplimiento de la presente garantía.

Excepciones

La garantía perderá validez en los siguientes casos:

- Quando el producto se hubiese utilizado en condiciones distintas a las normales.
 - Quando el producto no hubiese sido operado de acuerdo con el instructivo de uso que le acompaña.
 - Quando el producto hubiese sido alterado o reparado por personas no autorizadas por TECHTRONIC INDUSTRIES.
- Nota: Si el cordón de alimentación es dañado, este debe ser reemplazado por el fabricante o por un Centro de Servicio Autorizado para evitar riesgos.

CENTRO DE SERVICIO Y ATENCIÓN A CLIENTES
Rafael Buelna No.1. Col. Tezozomoc Mexico, D.F.
Tel. 01 800 832 1949

IMPORTADO Y COMERCIALIZADO POR:
TECHTRONIC INDUSTRIES MEXICO, S.A. DE C.V.
Av. Santa Fe 481 piso 6, Col. Curz Manca.
CP 05349, Cuajimalpa, D.F.

Modelo: _____

Fecha de Compra: _____

Sello del Distribuidor: _____

GARANTÍA LIMITADA - E.U.A. Y CANADA

Se garantiza al comprador original que ninguna de las herramientas eléctricas *MILWAUKEE* (incluido el producto inalámbrico, la herramienta y las baterías; consulte las declaraciones distintas y por separado en GARANTÍA LIMITADA DEL PAQUETE DE BATERÍAS INALÁMBRICAS y de las luces de trabajo y del cargador de baterías*) presentan defectos en material ni en mano de obra. En un plazo de cinco (5) años* a partir de la fecha de compra y sujeto a ciertas excepciones, *MILWAUKEE* reparará o reemplazará cualquier parte de una herramienta eléctrica que, luego de ser examinada, *MILWAUKEE* compruebe que presenta defectos en material o mano de obra, a menos que se indique lo contrario. Se requiere la devolución de la herramienta eléctrica a un centro de mantenimiento de la fábrica *MILWAUKEE* o a un centro de reparaciones autorizado por *MILWAUKEE*, con gastos de envío prepagados y asegurados. La devolución del producto debe estar acompañada por un comprobante de compra. Esta garantía no se aplica a los daños que *MILWAUKEE* establece que fueron ocasionados por reparaciones o intentos de reparación por parte de personal no autorizado por *MILWAUKEE*, uso indebido, alteraciones, abuso, desgaste y deterioro normal, falta de mantenimiento o accidentes.

*El período de garantía de las radios para obras, del puerto de alimentación M12™ y de las carretillas de trabajo industrial Trade Titan™ es de un (1) año a partir de la fecha de compra. El período de garantía de la lámpara de trabajo con diodo luminiscente y del foco mejorado con diodo luminiscente es una garantía VITALICIA limitada para el comprador original únicamente. Si durante el uso normal el foco de diodo luminiscente no funciona, la lámpara de trabajo o el foco mejorado se reemplazará sin carga.

*Esta garantía no cubre las clavadoras aéreas, las engrapadoras, el rociador de pintura inalámbrico, el paquete de baterías inalámbrico, los generadores eléctricos portátiles que funcionan con gasolina, herramientas manuales, elevadores (eléctricos, con palanca y con cadenas manuales), camisas de calefacción M12™, productos reacondicionados y productos de prueba y medición. Se encuentran disponibles garantías distintas para estos productos.

No se necesita registro de garantía para obtener la garantía correspondiente de un producto eléctrico *MILWAUKEE*. La fecha de fabricación del producto se utilizará para determinar el período de garantía si no se presenta un comprobante de compra en el momento en que se solicita el servicio de garantía.

LA ACEPTACIÓN DE LOS DERECHOS A REPARACIÓN Y REEMPLAZO EXCLUSIVAMENTE DESCRITOS EN EL PRESENTE DOCUMENTO CONSTITUYE UNA CONDICIÓN DEL CONTRATO POR LA COMPRA DE CADA PRODUCTO *MILWAUKEE*. SI NO ACEPTA ESTA CONDICIÓN, NO DEBE COMPRAR EL PRODUCTO. *MILWAUKEE* NO SERÁ EN NINGÚN CASO RESPONSABLE DE DAÑOS INCIDENTALES, ESPECIALES, CONSECUENTES O PUNITIVOS, NI DE COSTOS, HONORARIOS DE ABOGADOS, GASTOS, PÉRDIDAS O DEMORAS SUPUESTAMENTE CAUSADOS COMO CONSECUENCIA DE CUALQUIER DAÑO, FALLA O DEFECTO EN CUALQUIER PRODUCTO, INCLUIDOS, A MODO DE EJEMPLO, RECLAMOS POR PÉRDIDA DE GANANCIAS, ALGUNOS ESTADOS NO PERMITEN LA EXCLUSIÓN O LA LIMITACIÓN DE DAÑOS INCIDENTALES O CONSECUENTES. POR LO TANTO, LAS LIMITACIONES Y EXCLUSIONES ANTERIORES PUEDEN NO APLICARSE PARA USTED. ESTA GARANTÍA ES EXCLUSIVA Y SUSTITUYE A TODAS LAS OTRAS GARANTÍAS EXPRESAS, ESCRITAS Y ORALES. SEGÚN LO PERMITA LA LEY, *MILWAUKEE* SE EXIME DE TODA GARANTÍA IMPLÍCITA, INCLUIDOS, A MODO DE EJEMPLO, TODA GARANTÍA IMPLÍCITA DE COMERCIABILIDAD O IDONEIDAD PARA UN USO O PROPÓSITO EN PARTICULAR; EN LA MEDIDA EN QUE DICHA RENUNCIA NO ESTÉ PERMITIDA POR LA LEY, DICHAS GARANTÍAS IMPLÍCITAS ESTÁN LIMITADAS A LA DURACIÓN DE LA GARANTÍA EXPRESA APLICABLE SEGÚN SE DESCRIBE ANTERIORMENTE. ALGUNOS ESTADOS NO PERMITEN LIMITACIONES EN LA DURACIÓN DE UNA GARANTÍA IMPLÍCITA. POR LO TANTO, LA LIMITACIÓN ANTERIOR PUEDE NO APLICARSE PARA USTED. ESTA GARANTÍA LE OTORGA DERECHOS LEGALES ESPECÍFICOS Y TAMBIÉN PUEDE TENER OTROS DERECHOS QUE VARIAN DE ESTADO EN ESTADO.

Esta garantía se aplica a los productos vendidos en los EE. UU. y Canadá.

Consulte 'Service Center Search' (Búsqueda de centro de servicio) en la sección Parts & Services (Piezas y servicios) del sitio web *MILWAUKEE*, www.milwaukeetool.com o llame al 1.800.SAWDUST (1.800.729.3878) para encontrar su Centro de Servicio de la fábrica de *MILWAUKEE* más cercano.

UNITED STATES MILWAUKEE Service

MILWAUKEE prides itself in producing a premium quality product that is NOTHING BUT HEAVY DUTY®. Your satisfaction with our products is very important to us! If you encounter any problems with the operation of this tool, or you would like to locate the factory Service/Sales Support Branch or authorized service station nearest you, please call...

Additionally, we have a nationwide network of authorized Distributors ready to assist you with your tool and accessory needs. Check your "Yellow Pages" phone directory under "Tools-Electric" for the names & addresses of those nearest you or see the 'Where To Buy' section of our website.

1-800-SAWDUST

(1.800.729.3878)

Monday-Friday
7:00 AM - 6:30 PM
Central Time

or visit our website at

www.milwaukeetool.com

For service information, use the 'Service Center Search' icon found in the 'Parts & Service' section.

Contact our Corporate After Sales Service Technical Support about ...

- Technical Questions
- Service/Repair Questions
- Warranty

call: 1-800-SAWDUST
fax: 1.800.638.9582

email: metproductsupport@milwaukeetool.com

Register your tool online at www.milwaukeetool.com and...

- receive important notifications regarding your purchase
- ensure that your tool is protected under the warranty
- become a HEAVY DUTY club member

CANADA - Service MILWAUKEE

MILWAUKEE prides itself in producing a premium quality product that is NOTHING BUT HEAVY DUTY®. Your satisfaction with our products is very important to us!

If you encounter any problems with the operation of this tool, or you would like to locate the factory Service/Sales Support Branch or authorized service station nearest you, please call...

1.800.268.4015

Monday – Friday 7:00 – 4:30 CST
fax: 866.285.9049

Milwaukee Electric Tool (Canada) Ltd

140 Fernstaff Court, Unit 4 18129 111 Avenue NW
Vaughan, ON L4K 3L8 Edmonton, AB T5S 2P2

Additionally, we have a nationwide network of authorized Distributors ready to assist you with your tool and accessory needs. Call 1.800.268.4015 to find the names and addresses of the closest retailers or consult "Where to buy" on our Web site www.milwaukeetool.com

MILWAUKEE est fier de proposer un produit de première qualité NOTHING BUT HEAVY DUTY®. Votre satisfaction est ce qui compte le plus!

En cas de problèmes d'utilisation de l'outil ou pour localiser le centre de service/ventes ou le centre d'entretien le plus proche, appelez le...

1.800.268.4015

Lundi – Vendredi 7:00 – 4:30 CST
fax: 866.285.9049

Milwaukee Electric Tool (Canada) Ltd

140 Fernstaff Court, Unit 4 18129 111 Avenue NW
Vaughan, ON L4K 3L8 Edmonton, AB T5S 2P2

Notre réseau national de distributeurs agréés se tient à votre disposition pour fournir l'aide technique, l'outillage et les accessoires nécessaires. Composez le 1.800.268.4015 pour obtenir les noms et adresses des revendeurs les plus proches ou bien consultez la section «Où acheter» sur notre site web à l'adresse www.milwaukeetool.com

MEXICO - Soporte de Servicio MILWAUKEE

CENTRO DE ATENCIÓN A CLIENTES

Rafael Buelna No. 1, Col Tezozomoc,
Delegación Azcapotzalco, México, D.F.
Telefono sin costo 01 800 832 1949
e-mail: servicio@ttigroupna.com

Adicionalmente, tenemos una red nacional de distribuidores autorizados listos para ayudarle con su herramienta y sus accesorios. Por favor, llame al 01 800 832 1949 para obtener los nombres y direcciones de los más cercanos a usted, o consulte la sección 'Where to buy' (Dónde comprar) de nuestro sitio web en

www.ttigroupmexico.com

MILWAUKEE ELECTRIC TOOL CORPORATION

13135 West Lisbon Road • Brookfield, Wisconsin, U.S.A. 53005

58-14-5316d1

07/11

Printed in China
961075126-01()

Free Manuals Download Website

<http://myh66.com>

<http://usermanuals.us>

<http://www.somanuals.com>

<http://www.4manuals.cc>

<http://www.manual-lib.com>

<http://www.404manual.com>

<http://www.luxmanual.com>

<http://aubethermostatmanual.com>

Golf course search by state

<http://golfingnear.com>

Email search by domain

<http://emailbydomain.com>

Auto manuals search

<http://auto.somanuals.com>

TV manuals search

<http://tv.somanuals.com>