

WIRING INSTRUCTIONS

TITLE

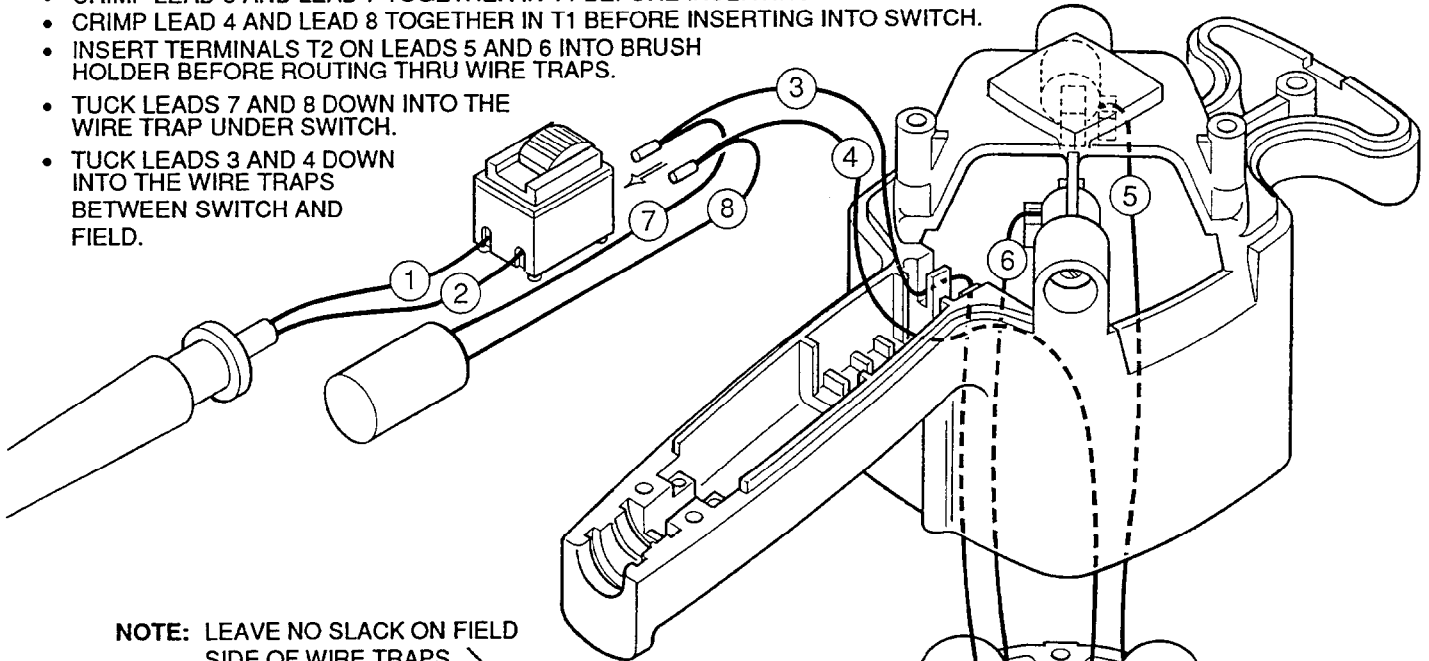
ORBITAL SANDER

BULLETIN
58-03-0475

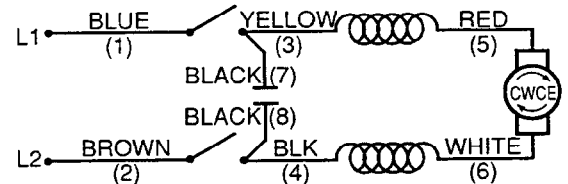
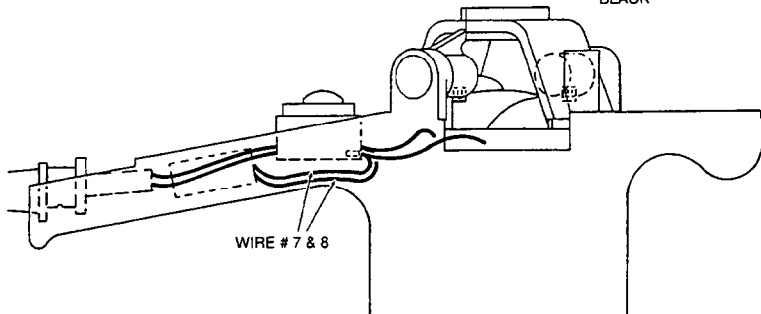
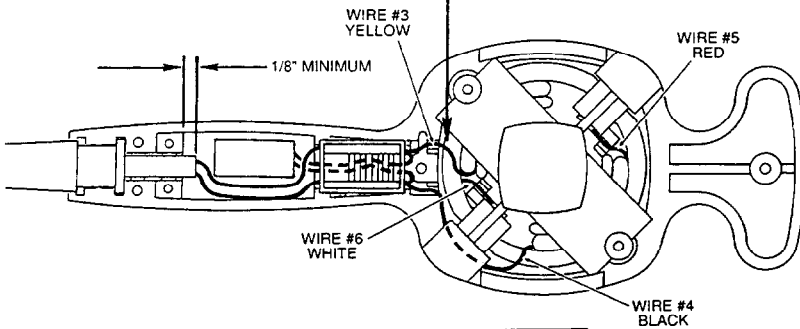
MILWAUKEE ELECTRIC TOOL CORP. 13135 WEST LISBON RD. BROOKFIELD, WIS.

DATE
May '94

- CRIMP LEAD 3 AND LEAD 7 TOGETHER IN T1 BEFORE INSERTING INTO SWITCH.
- CRIMP LEAD 4 AND LEAD 8 TOGETHER IN T1 BEFORE INSERTING INTO SWITCH.
- INSERT TERMINALS T2 ON LEADS 5 AND 6 INTO BRUSH HOLDER BEFORE ROUTING THRU WIRE TRAPS.
- TUCK LEADS 7 AND 8 DOWN INTO THE WIRE TRAP UNDER SWITCH.
- TUCK LEADS 3 AND 4 DOWN INTO THE WIRE TRAPS BETWEEN SWITCH AND FIELD.



NOTE: LEAVE NO SLACK ON FIELD SIDE OF WIRE TRAPS.



SCHEMATIC

NOTE:
All leads must be held to $\pm 1/8"$.
All field leads to be measured from and perpendicular to laminations.
All lead lengths are before stripping.

WIRING SPECIFICATIONS

Wire No.	Wire Color	Origin or Gauge	Length	Terminals, Connectors and 1 or 2 End Wire Preparation
1	BLUE	CORD	2-1/8"	STRIP 1/4" FOR T1 (PIGTAIL SPLICE)
2	BROWN	CORD	2-1/8"	STRIP 1/4" FOR T1 (PIGTAIL SPLICE)
3	YELLOW	FIELD	2-3/8"	STRIP 1/4" FOR T1 (PIGTAIL SPLICE WITH #7)
4	BLACK	FIELD	3"	STRIP 1/4" FOR T1 (PIGTAIL SPLICE WITH #8)
5	RED	FIELD	2-3/8"	STRIP 3/16" FOR T2
6	WHITE	FIELD	2-3/8"	STRIP 3/16" FOR T2
7	BLACK	SUPPR.	4"	STRIP 1/4" FOR T1 (PIGTAIL SPLICE WITH #3)
8	BLACK	SUPPR.	4"	STRIP 1/4" FOR T1 (PIGTAIL SPLICE WITH #4)

TERMINAL DESCRIPTION

Code	Part No.	Qty.
T1	23-74-0155	4
T2	22-44-0090	2

CONNECTOR DESCRIPTION

--	--

Free Manuals Download Website

<http://myh66.com>

<http://usermanuals.us>

<http://www.somanuals.com>

<http://www.4manuals.cc>

<http://www.manual-lib.com>

<http://www.404manual.com>

<http://www.luxmanual.com>

<http://aubethermostatmanual.com>

Golf course search by state

<http://golfingnear.com>

Email search by domain

<http://emailbydomain.com>

Auto manuals search

<http://auto.somanuals.com>

TV manuals search

<http://tv.somanuals.com>