



**OPERATOR'S MANUAL
MANUEL de L'UTILISATEUR
MANUAL del OPERADOR**



**Cat. No.
No de Cat.
6065
6065-6
6066
6066-6
6072
6078**



**HEAVY-DUTY SANDERS AND GRINDERS
PONCEUSES-RECTIFIEUSES EXTRA ROBUSTES
LIJADORAS Y ESMERILADORAS HEAVY-DUTY**

***TO REDUCE THE RISK OF INJURY, USER MUST READ OPERATOR'S MANUAL.
AFIN DE RÉDUIRE LE RISQUE DE BLESSURES, L'UTILISATEUR DOIT LIRE LE MANUEL DE L'UTILISATEUR.
PARA REDUCIR EL RIESGO DE LESIONES, EL USUARIO DEBE LEER EL MANUAL DEL OPERADOR.***

GENERAL POWER TOOL SAFETY WARNINGS



WARNING

READ ALL SAFETY WARNINGS AND INSTRUCTIONS.

Failure to follow the warnings and instructions may result in electric shock, fire and/or serious injury.

Save all warnings and instructions for future reference

The term "power tool" in all of the warnings refers to your mains-operated (corded) power tool or battery-operated (cordless) power tool.

WORK AREA SAFETY

- **Keep work area clean and well lit.** Cluttered or dark areas invite accidents.
- **Do not operate power tools in explosive atmospheres, such as in the presence of flammable liquids, gases or dust.** Power tools create sparks which may ignite the dust or fumes.
- **Keep children and bystanders away while operating a power tool.** Distractions can cause you to lose control.

ELECTRICAL SAFETY

- **Power tool plugs must match the outlet. Never modify the plug in any way. Do not use any adapter plugs with earthed (grounded) power tools.** Unmodified plugs and matching outlets will reduce risk of electric shock.
- **Avoid body contact with earthed or grounded surfaces such as pipes, radiators, ranges and refrigerators.** There is an increased risk of electric shock if your body is earthed or grounded.
- **Do not expose power tools to rain or wet conditions.** Water entering a power tool will increase the risk of electric shock.
- **Do not abuse the cord. Never use the cord for carrying, pulling or unplugging the power tool. Keep cord away from heat, oil, sharp edges or moving parts.** Damaged or entangled cords increase the risk of electric shock.
- **When operating a power tool outdoors, use an extension cord suitable for outdoor use.** Use of a cord suitable for outdoor use reduces the risk of electric shock.
- **If operating a power tool in a damp location is unavoidable, use a residual current device (RCD) protected supply.** Use of an RCD reduces the risk of electric shock.

PERSONAL SAFETY

- **Stay alert, watch what you are doing and use common sense when operating a power tool. Do not use a power tool while you are tired or under the influence of drugs, alcohol or medication.** A moment of inattention while operating power tools may result in serious personal injury.
- **Use personal protective equipment. Always wear eye protection.** Protective equipment such as dust mask, non-skid safety shoes, hard hat, or hearing protection used for appropriate conditions will reduce personal injuries.
- **Prevent unintentional starting. Ensure the switch is in the off-position before connecting to power source and/or battery pack, picking up or carrying the tool.** Carrying power tools with your finger on the switch or plugging in power tools that have the switch on invites accidents.
- **Remove any adjusting key or wrench before turning the power tool on.** A wrench or a key left attached to a rotating part of the power tool may result in personal injury.
- **Do not overreach. Keep proper footing and balance at all times.** This enables better control of the power tool in unexpected situations.
- **Dress properly. Do not wear loose clothing or jewellery. Keep your hair, clothing and gloves away from moving parts.** Loose clothes, jewellery or long hair can be caught in moving parts.
- **If devices are provided for the connection of dust extraction and collection facilities, ensure these are connected and properly used.** Use of these devices can reduce dust-related hazards.

POWER TOOL USE AND CARE

- **Do not force the power tool. Use the correct power tool for your application.** The correct power tool will do the job better and safer at the rate for which it was designed.
- **Do not use the power tool if the switch does not turn it on and off.** Any power tool that cannot be controlled with the switch is dangerous and must be repaired.
- **Disconnect the plug from the power source and/or the battery pack from the power tool before making any adjustments, changing accessories, or storing power tools.** Such preventive safety measures reduce the risk of starting the power tool accidentally.
- **Store idle power tools out of the reach of children and do not allow persons unfamiliar with the power tool or these instructions to operate the power tool.** Power tools are dangerous in the hands of untrained users.
- **Maintain power tools. Check for misalignment or binding of moving parts, breakage of parts and any other condition that may affect the power tool operation. If damaged, have the power tool repaired before use.** Many accidents are caused by poorly maintained power tools.
- **Keep cutting tools sharp and clean.** Properly maintained cutting tools with sharp cutting edges are less likely to bind and are easier to control.
- **Use the power tool, accessories and tool bits etc., in accordance with these instructions, taking into account the working conditions and the work to be performed.** Use of the power tool for operations different from those intended could result in a hazardous situation.

SERVICE

- **Have your power tool serviced by a qualified repair person using only identical replacement parts.** This will ensure that the safety of the power tool is maintained.

SPECIFIC SAFETY RULES

Safety Warnings Common for Grinding, Sanding, Wire Brushing or Abrasive Cutting-Off Operations:

- **This power tool is intended to function as a grinder, sander, wire brush or cut-off tool. Read all safety warnings, instructions, illustrations and specifications provided with this power tool.** Failure to follow all instructions listed below may result in electric shock, fire and/or serious injury.
- **Operations such as polishing are not recommended to be performed with this power tool.** Operations for which the power tool was not designed may create a hazard and cause personal injury.
- **Do not use accessories which are not specifically designed and recommended by the tool manufacturer.** Just because the accessory can be attached to your power tool, it does not assure safe operation.
- **The rated speed of the accessory must be at least equal to the maximum speed marked on the power tool.** Accessories running faster than their rated speed can break and fly apart.
- **The outside diameter and the thickness of your accessory must be within the capacity rating of your power tool.** Incorrectly sized accessories cannot be adequately guarded or controlled.
- **The arbour size of wheels, flanges, backing pads or any other accessory must properly fit the spindle of the power tool.** Accessories with arbour holes that do not match the mounting hardware of the power tool will run out of balance, vibrate excessively and may cause loss of control.
- **Do not use a damaged accessory. Before each use inspect the accessory such as abrasive wheels for chips and cracks, backing pad for cracks, tear or excess wear, wire brush for loose or cracked wires. If power tool or accessory is dropped, inspect for damage or**

install an undamaged accessory. After inspecting and installing an accessory, position yourself and bystanders away from the plane of the rotating accessory and run the power tool at maximum no-load speed for one minute. Damaged accessories will normally break apart during this test time.

- **Wear personal protective equipment.** Depending on application, use face shield, safety goggles or safety glasses. As appropriate, wear dust mask, hearing protectors, gloves and work shop apron capable of stopping small abrasive or workpiece fragments. The eye protection must be capable of stopping flying debris generated by various operations. The dust mask or respirator must be capable of filtering particles generated by your operation. Prolonged exposure to high intensity noise may cause hearing loss.
- **Keep bystanders a safe distance away from work area. Anyone entering the work area must wear personal protective equipment.** Fragments of workpiece or of a broken accessory may fly away and cause injury beyond immediate area of operation.
- **Hold power tool by insulated gripping surfaces only, when performing an operation where the cutting accessory may contact hidden wiring or its own cord.** Cutting accessory contacting a live wire may make exposed metal parts of the power tool live and shock the operator.
- **Position the cord clear of the spinning accessory.** If you lose control, the cord may be cut or snagged and your hand or arm may be pulled into the spinning accessory.
- **Never lay the power tool down until the accessory has come to a complete stop.** The spinning accessory may grab the surface and pull the power tool out of your control.
- **Do not run the power tool while carrying it at your side.** Accidental contact with the spinning accessory could snag your clothing, pulling the accessory into your body.
- **Regularly clean the power tool's air vents.** The motor's fan will draw the dust inside the housing and excessive accumulation of powdered metal may cause electrical hazards.
- **Do not operate the power tool near flammable materials.** Sparks could ignite these materials.
- **Do not use accessories that require liquid coolants.** Using water or other liquid coolants may result in electrocution or shock.

Kickback and Related Warnings

Kickback is a sudden reaction to a pinched or snagged rotating wheel, backing pad, brush or any other accessory. Pinching or snagging causes rapid stalling of the rotating accessory which in turn causes the uncontrolled power tool to be forced in the direction opposite of the accessory's rotation at the point of the binding.

For example, if an abrasive wheel is snagged or pinched by the workpiece, the edge of the wheel that is entering into the pinch point can dig into the surface of the material causing the wheel to climb out or kick out. The wheel may either jump toward or away from the operator, depending on direction of the wheel's movement at the point of pinching. Abrasive wheels may also break under these conditions.

Kickback is the result of power tool misuse and/or incorrect operating procedures or conditions and can be avoided by taking proper precautions as given below.

- **Maintain a firm grip on the power tool and position your body and arm to allow you to resist kickback forces. Always use auxiliary handle, if provided, for maximum control over kickback or torque reaction during start-up.** The operator can control torque reactions or kickback forces, if proper precautions are taken.
- **Never place your hand near the rotating accessory.** Accessory may kick back over your hand.
- **Do not position your body in the area where power tool will move if kickback occurs.** Kickback will propel the tool in direction opposite to the wheel's movement at the point of snagging.
- **Use special care when working corners, sharp edges etc. Avoid bouncing and snagging the accessory.** Corners, sharp edges or bouncing have a tendency to snag the rotating accessory and cause loss of control or kickback.
- **Do not attach a saw chain woodcarving blade or toothed saw blade.** Such blades create frequent kickback and loss of control.

Safety Warnings Specific for Grinding and Abrasive Cutting-Off Operations:

- **Use only wheel types that are recommended for your power tool and the specific guard designed for the selected wheel.** Wheels for which the power tool was not designed can not be adequately guarded and are unsafe.

- **The guard must be securely attached to the power tool and positioned for maximum safety, so the least amount of wheel is exposed towards the operator.** The guard helps to protect operator from broken wheel fragments and accidental contact with wheel.
- **Wheels must be used only for recommended applications. For example: do not grind with the side of cut-off wheel.** Abrasive cut-off wheels are intended for peripheral grinding, side forces applied to these wheels may cause them to shatter.
- **Always use undamaged wheel flanges that are of correct size and shape for your selected wheel.** Proper wheel flanges support the wheel thus reducing the possibility of wheel breakage. Flanges for cut-off wheels may be different from grinding wheel flanges.
- **Do not use worn down wheels from larger power tools.** Wheel intended for larger power tool is not suitable for the higher speed of a smaller tool and may burst.

Additional Safety Warnings Specific for Abrasive Cutting-Off Operations:

- **Do not jam the cut-off wheel or apply excessive pressure. Do not attempt to make an excessive depth of cut.** Overstressing the wheel increases the loading and susceptibility to twisting or binding of the wheel in the cut and the possibility of kickback or wheel breakage.
- **Do not position your body in line with and behind the rotating wheel.** When the wheel, at the point of operation, is moving away from your body, the possible kickback may propel the spinning wheel and the power tool directly at you.
- **When wheel is binding or when interrupting a cut for any reason, switch off the power tool and hold the power tool motionless until the wheel comes to a complete stop. Never attempt to remove the cut-off wheel from the cut while the wheel is in motion otherwise kickback may occur.** Investigate and take corrective action to eliminate the cause of wheel binding.
- **Do not restart the cutting operation in the workpiece. Let the wheel reach full speed and carefully reenter the cut.** The wheel may bind, walk up or kickback if the power tool is restarted in the workpiece.
- **Support panels or any oversized workpiece to minimize the risk of wheel pinching and kickback.** Large workpieces tend to sag under their own weight. Supports must be placed under the workpiece near the line of cut and near the edge of the workpiece on both sides of the wheel.
- **Use extra caution when making a "pocketcut" into existing walls or other blind areas.** The protruding wheel may cut gas or water pipes, electrical wiring or objects that can cause kickback.

Safety Warnings Specific for Sanding Operations:

- **Do not use excessively oversized sanding disc paper. Follow manufacturers recommendations, when selecting sanding paper.** Larger sanding paper extending beyond the sanding pad presents a laceration hazard and may cause snagging, tearing of the disc or kickback.

Safety Warnings Specific for Wire Brushing Operations:

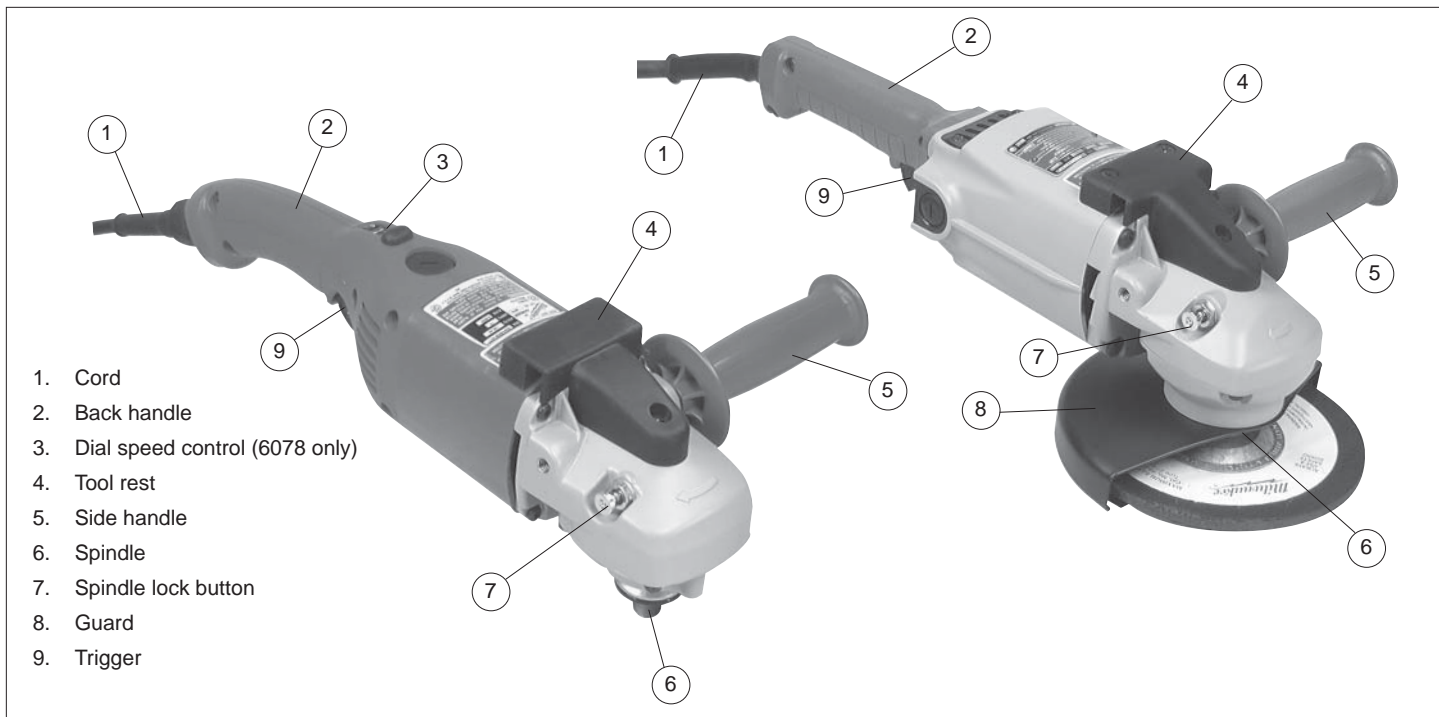
- **Be aware that wire bristles are thrown by the brush even during ordinary operation. Do not over stress the wires by applying excessive load to the brush.** The wire bristles can easily penetrate light clothing and/or skin.
- **If the use of a guard is recommended for wire brushing, do not allow any interference of the wire wheel or brush with the guard.** Wire wheel or brush may expand in diameter due to workload and centrifugal forces.

Additional Safety Warnings

- **Maintain labels and nameplates.** These carry important information. If unreadable or missing, contact a *MILWAUKEE* service facility for a free replacement.
- **WARNING:** Some dust created by power sanding, sawing, grinding, drilling, and other construction activities contains chemicals known to cause cancer, birth defects or other reproductive harm. Some examples of these chemicals are:
 - lead from lead-based paint
 - crystalline silica from bricks and cement and other masonry products, and
 - arsenic and chromium from chemically-treated lumber.

Your risk from these exposures varies, depending on how often you do this type of work. To reduce your exposure to these chemicals: work in a well ventilated area, and work with approved safety equipment, such as those dust masks that are specially designed to filter out microscopic particles.

FUNCTIONAL DESCRIPTION



1. Cord
2. Back handle
3. Dial speed control (6078 only)
4. Tool rest
5. Side handle
6. Spindle
7. Spindle lock button
8. Guard
9. Trigger

Specifications

Cat. No.	Volts	Amps	No Load RPM	Spindle Size	Wheel Size
6065	120 AC/DC	15	5000	5/8"-11	7"/9"
6065-6	120 AC/DC	15	5000	5/8"-11	7"/9"
6066	120 AC/DC	15	6000	5/8"-11	7"/9"
6066-6	120 AC/DC	15	6000	5/8"-11	7"/9"
6072	120 AC/DC	13	5000	5/8"-11	7"/9"
6078	120 AC	13	0 - 6000	5/8"-11	7"/9"

Symbology

	Double Insulated
	Underwriters Laboratories, Inc., United States and Canada
	Volts Alternating Current/ Direct Current
	Volts Alternating Current
$n_0 \times \text{xxx} \text{min.}^{-1}$	No Load Revolutions per Minute (RPM)
A	Amperes
	Mexican Safety Standards

GROUNDING



WARNING

Improperly connecting the grounding wire can result in the risk of electric shock. Check with a qualified electrician if you are in doubt as to whether the outlet is properly grounded. Do not modify the plug provided with the tool. Never remove the grounding prong from the plug. Do not use the tool if the cord or plug is damaged. If damaged, have it repaired by a MILWAUKEE service facility before use. If the plug will not fit the outlet, have a proper outlet installed by a qualified electrician.

Grounded Tools: Tools with Three Prong Plugs

Tools marked "Grounding Required" have a three wire cord and three prong grounding plug. The plug must be connected to a properly grounded outlet (See Figure A). If the tool should electrically malfunction or break down, grounding provides a low resistance path to carry electricity away from the user, reducing the risk of electric shock.

The grounding prong in the plug is connected through the green wire inside the cord to the grounding system in the tool. The green wire in the cord must be the only wire connected to the tool's grounding system and must never be attached to an electrically "live" terminal.

Your tool must be plugged into an appropriate outlet, properly installed and grounded in accordance with all codes and ordinances. The plug and outlet should look like those in Figure A.

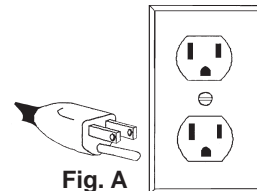


Fig. A

Double Insulated Tools: Tools with Two Prong Plugs

Tools marked "Double Insulated" do not require grounding. They have a special double insulation system which satisfies OSHA requirements and complies with the applicable standards of Underwriters Laboratories, Inc., the Canadian Standard Association and the National Electrical Code. Double Insulated tools may be used in either of the 120 volt outlets shown in Figures B and C.

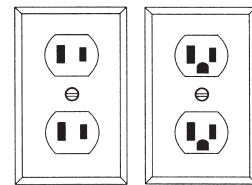


Fig. B

Fig. C

EXTENSION CORDS

Grounded tools require a three wire extension cord. Double insulated tools can use either a two or three wire extension cord. As the distance from the supply outlet increases, you must use a heavier gauge extension cord. Using extension cords with inadequately sized wire causes a serious drop in voltage, resulting in loss of power and possible tool damage. Refer to the table shown to determine the required minimum wire size.

The smaller the gauge number of the wire, the greater the capacity of the cord. For example, a 14 gauge cord can carry a higher current than a 16 gauge cord. When using more than one extension cord to make up the total length, be sure each cord contains at least the minimum wire size required. If you are using one extension cord for more than one tool, add the nameplate amperes and use the sum to determine the required minimum wire size.

Guidelines for Using Extension Cords

- If you are using an extension cord outdoors, be sure it is marked with the suffix "W-A" ("W" in Canada) to indicate that it is acceptable for outdoor use.
- Be sure your extension cord is properly wired and in good electrical condition. Always replace a damaged extension cord or have it repaired by a qualified person before using it.
- Protect your extension cords from sharp objects, excessive heat and damp or wet areas.

Recommended Minimum Wire Gauge for Extension Cords*

Nameplate Amperes	Extension Cord Length					
	25'	50'	75'	100'	150'	200'
0 - 5	16	16	16	14	12	12
5.1 - 8	16	16	14	12	10	--
8.1 - 12	14	14	12	10	--	--
12.1 - 15	12	12	10	10	--	--
15.1 - 20	10	10	10	--	--	--

* Based on limiting the line voltage drop to five volts at 150% of the rated amperes.

READ AND SAVE ALL INSTRUCTIONS FOR FUTURE USE.

TOOL ASSEMBLY

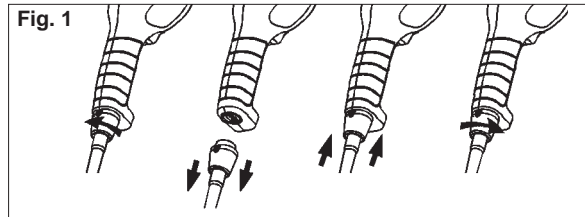


WARNING

To reduce the risk of injury, always unplug tool before attaching or removing accessories or making adjustments. Use only specifically recommended accessories. Others may be hazardous.

Removing and Replacing Quik-Lok® Cords (Select Models)

MILWAUKEE's exclusive Quik-Lok® Cords provide instant field replacement or substitution.



1. To remove the Quik-Lok® Cord, turn the cord nut 1/4 turn to the left and pull it out.
2. To replace the Quik-Lok® Cord, align the connector keyways and push the connector in as far as it will go. Turn the cord nut 1/4 turn to the right to lock.

Installing the Side Handle

The side handle may be installed on either side of gear case for right or left handed use. Position side handle in the location which offers best control and guard protection. For operating zones that provide maximum protection for the operator, see "Grinding". To install, thread side handle into side handle socket on desired side of gear case and tighten securely.

Installing, Adjusting, and Removing the Guard (Select Models)



WARNING

To reduce the risk of injury when grinding, ALWAYS use the proper guard. ALWAYS properly install the guard.

The guard must be used when using the tool as a grinder. The guard should be removed when using tool as a sander.

1. Unplug the tool and place it upside down on a level surface. Remove any accessories from the spindle.
2. Place the grinding wheel guard over the spindle. Position the guard in the location which offers best control and guard protection. For operating zones that provide maximum protection for the operator, see "Grinding".
3. Fasten the guard to the lower half of the gear case with screws and lock washers provided.

OPERATION



WARNING

To reduce the risk of injury, wear safety goggles or glasses with side shields. Unplug the tool before changing accessories or making adjustments.

Starting and Stopping the Motor

1. To **start** the tool, pull the trigger.
2. To **stop** the tool, release the trigger.



WARNING

To reduce the risk of injury or damage to the tool, do not use the spindle lock button to stop the spindle while the tool is in use or is coasting after shut-off.

Locking the Trigger (Select Models)

The lock button holds the trigger in the ON position for continuous use.

1. To **lock** the trigger on, hold in the lock-on button while pulling the trigger. Release the trigger.
2. To **unlock** the trigger, pull the trigger and release. The lock-on button will pop out.

Using the Dial Speed Control (Cat. No. 6078 only)

Cat. No. 6078 has a dial speed control and variable speed trigger switch. The maximum speed may be preset using the speed control dial and the speed may be varied by the trigger switch. Speed control dial settings range from 1 to 5. Lower numbers correspond to lower speeds and higher numbers correspond to higher speeds. Use the setting that best suits the work.

To control the speed, set the dial to the desired number. Then, pull the trigger. Increase or decrease pressure on the trigger to vary the speed. To stop the tool, release the trigger.

Sanding Disc and Grinding Wheel Selection



WARNING

To reduce the risk of personal injury and damage to the tool, use **ONLY** accessories rated at or above the RPM listed on the “WARNING” section of the tool's nameplate.

Use sanding discs and grinding wheels that are:

- correct size as written on tool's nameplate
- correct wheel type and grit for the job
- rated at or above the RPM listed in the “WARNING” section on the tool's nameplate

Use backing pads, adapters, and other accessories that are:

- correct size for tool and for sanding disc or grinding wheel
- rated at or above the RPM listed in the “WARNING” section on the tool's nameplate
- the proper accessory for the job

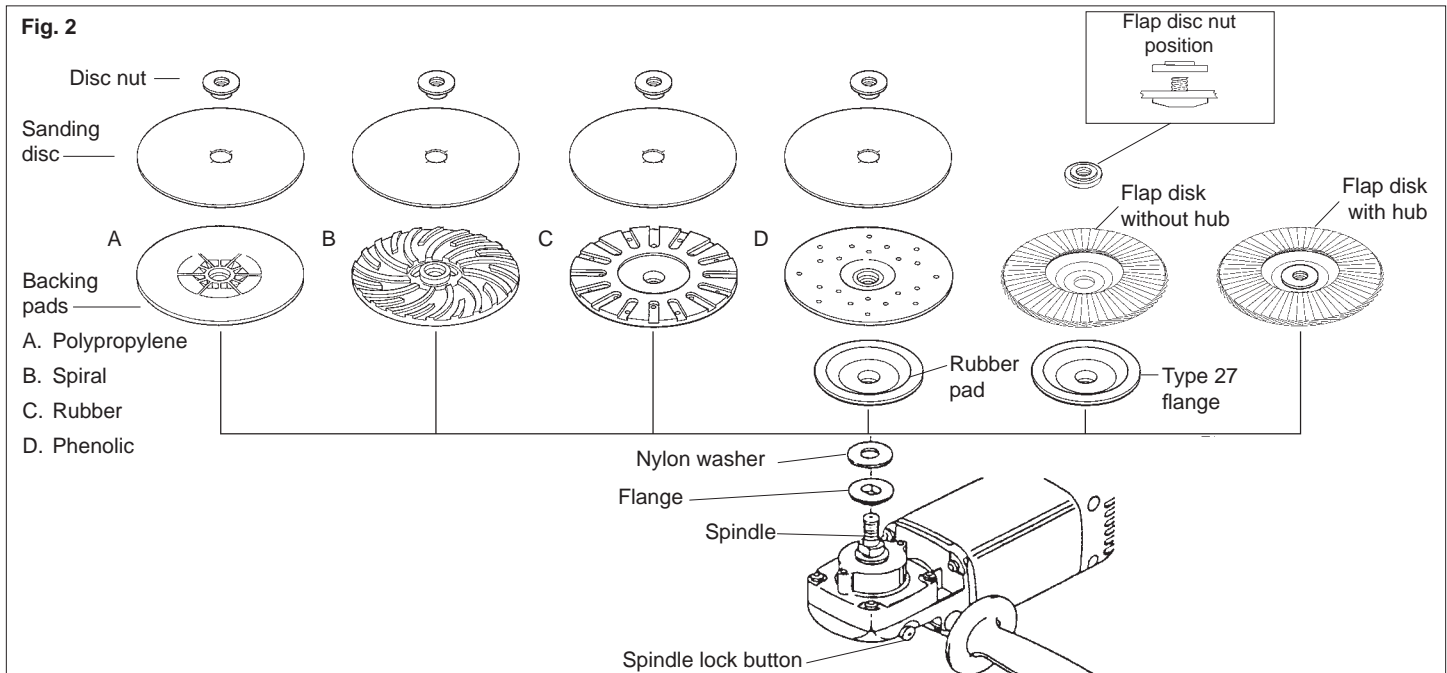
Sanding Disc and Grinding Wheel Material

Sanding discs and grinding wheels are made of various materials and are designed for different jobs. Be sure that you choose the proper sanding disc or grinding wheel for the job you plan to do.

USING SANDING DISCS

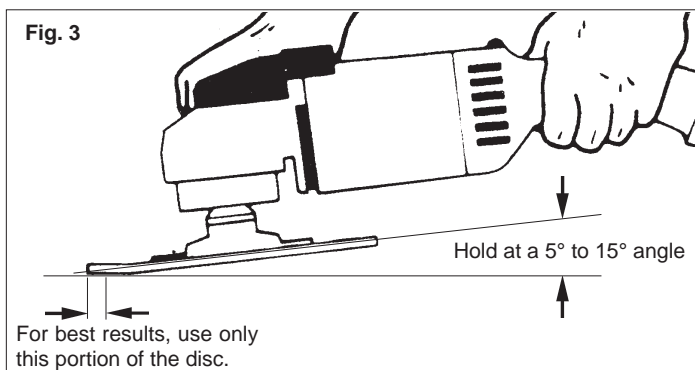
Installing Sanding Discs

1. Unplug tool and place it upside down on a level surface as shown. Remove any accessories from spindle.
2. Thread flange and nylon washer onto spindle. Attach backing pad and sanding disc using Fig. 2 to determine type and order of assembly.
NOTE: When installing flap disc without hub, position flap disc nut as shown.
3. To tighten, press in the spindle lock button while turning disc nut clockwise.
4. To remove sanding disc and backing pad, unplug tool and reverse procedure.



Sanding

1. Use a clamp, vise or other practical means to hold your work, freeing both hands to control your tool. Firmly grasp rear handle and side handle before starting and while tool is in operation. Allow sanding disc to come to full speed before beginning to sand.
2. Hold tool at 5° to 15° angle as shown to ensure proper sanding pressure and control (Fig. 3). Too great an angle will result in too much pressure and could cause excessive wear to the disc and workpiece. Too small an angle will reduce control.



3. Use long, sweeping, side to side strokes, advancing forward to produce the desired finish.

Removing Welds or Hammer Marks

When removing welds or hammer marks, limit coarse sanding to the immediate area. Use successively finer grits to smooth surface.

Cross Sanding

When finishing a surface that has been prepared by a coarse disc or wheel, sand at right angles to the strokes made by the coarser disc. Finishing marks left from previous sanding are easily seen and removed for a uniform finish. Failure to cross sand when changing from a coarse disc to a finishing disc may result in deep scratches and circular marks.

Finishing Metal

Constantly move across the surface. Work faster on curved surfaces where contact areas are smaller and pressure is greater. Flat areas may appear at the end of the stroke when pressure is too heavy. Ease up on pressure at end of each stroke and when reversing strokes.

Troubleshooting

Deep scratches and circular marks can result from:

- Using too coarse a grit
- Using a partially glazed disc
- Dirt or loose metal on the workpiece
- Failure to sand across the grain when changing from coarse to finishing discs

Bluish discoloration of metal surface indicates:

- Excessive heat caused by circular motion in a small area
- Excessive pressure
- Use of worn out or glazed discs

Selecting Sanding Discs & Grit

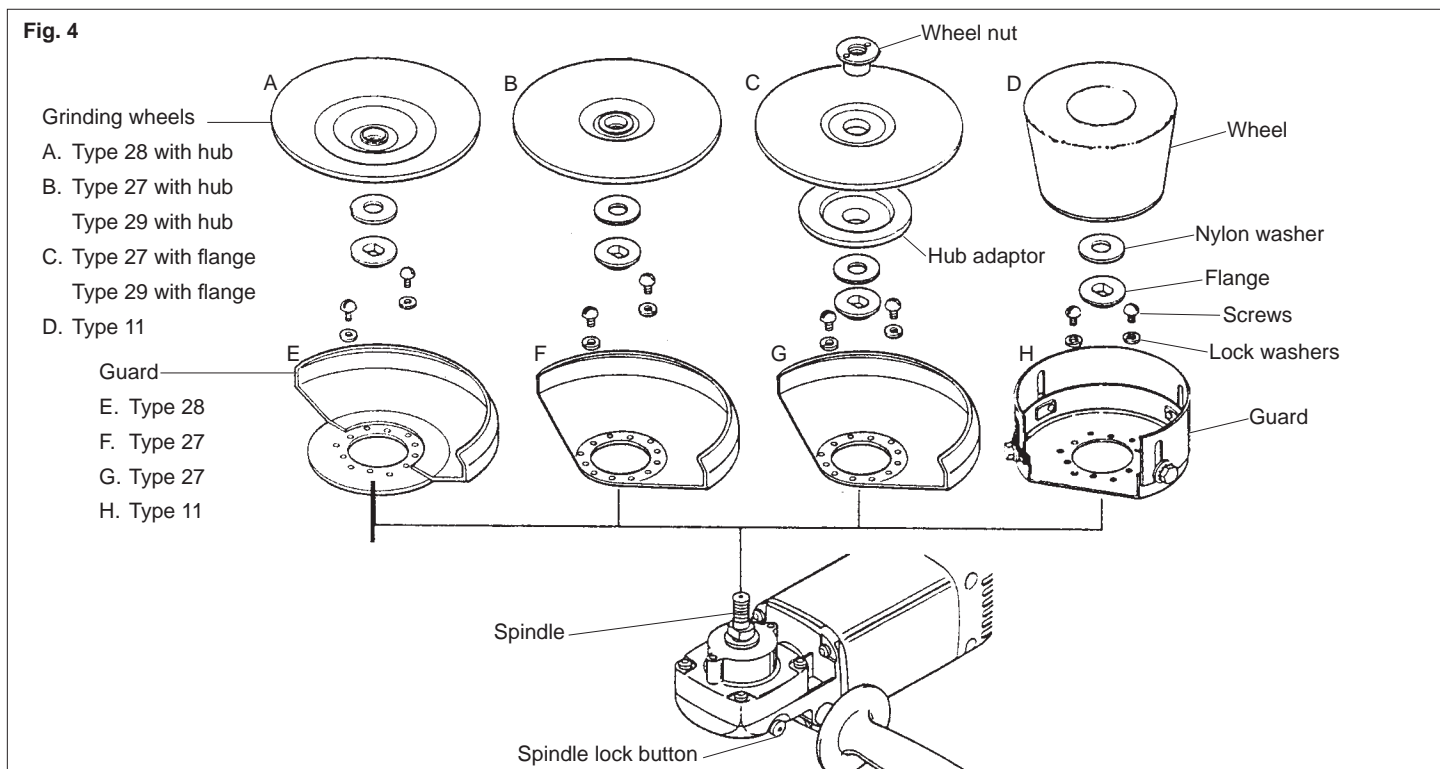
Refer to the table below to select the correct type of sanding disc for your job. Generally, use 16, 24 or 36 grit for heavy stock removal; 50, 60 or 80 grit for medium stock removal and 120 grit for finishing. Always begin with a coarse grit, using successively finer grits to obtain the desired finish. See Catalog for a complete list of *MILWAUKEE* sanding discs.

Aluminum Oxide	Aluminum Zirconia Bi-Cut	Ceramic
For fast cutting, general purpose discs for most metal jobs. Best for cold-rolled steel, stainless steel or metals requiring tough, fast cutting, long lasting abrasives.	Unique grit pattern is arranged in clusters for faster stock removal and cleaning. Ideal for removing paint from cars, boats, etc. without clogging.	Lasts up to 3 times longer than aluminum oxide discs. For general metal working. Ideal for tough jobs.

USING GRINDING AND CUT-OFF WHEELS

Installing Grinding Wheels

1. Unplug tool and place it upside down on a level surface as shown. Remove any accessories from spindle.
2. Thread flange and nylon washer onto spindle. Attach guard and grinding wheel using Fig. 4 to determine type and order of assembly (See "Installing, Adjusting, and Removing the Guard" for attaching guard). **NOTE:** When installing Type 27 or Type 29 grinding wheels, position wheel nut according to wheel thickness.
Position the guard in the location which offers best control and guard protection. For operating zones that provide maximum protection for the operator, see "Grinding". **NOTE:** When selecting Type 11 grinding cup wheels, the guard's skirt should be adjusted so that no more than 1/8" of the wheel extends beyond the guard.
3. To tighten, press in the spindle lock button while turning wheel or disc nut clockwise using the spanner wrench provided.
4. To remove grinding wheel and guard, unplug tool and reverse procedure.



Care of Grinding & Cut-Off Wheels



WARNING

To reduce the risk of injury, the operator should be instructed in the use, care and protection of grinding wheels.

Grinding and cut-off wheels should be protected from:

- wetness and extreme humidity
- any type of solvent
- extreme changes in temperature
- dropping and bumping

Grinding and cut-off wheels should be stored:

- in an organized way so wheels can be removed without disturbing or damaging other wheels
- with their safety information

Grinding and cut-off wheels should NOT be:

- dropped
- rolled
- bumped

If any wheel is dropped, rolled, bumped, subjected to extreme changes in temperature, or has come into contact with solvents or wetness, discard wheel immediately.

Troubleshooting

Deep scratches and circular marks can result from:

- Uneven pressure
- Using a partially glazed wheel - especially on aluminum applications
- Dirt or loose metal on the workpiece
- Failure to constantly move across surface

Bluish discoloration of metal surface indicates:

- Excessive heat caused by circular motion in a small area
- Excessive pressure
- Use of worn out or glazed wheels

Inspecting Wheels

Always handle wheels carefully to avoid damage. Before installing any wheel, always inspect it for cracks. If wheel is cracked, discard it to prevent others from using it.

Selecting Wheels



WARNING

Only use wheels with Maximum Safe Operating Speed rated at or above the RPM listed on the "WARNING" section of the tool's nameplate. This speed is based on the strength of the wheel, allowing for a reasonable measure of safety. It is not meant to imply a best or most efficient operating speed. Do not exceed the Maximum Safe Operating Speed.

Grinding is the cutting action of thousands of abrasive grains on the face of a grinding wheel. When grinding metals such as steel and iron, choose an aluminum oxide grinding wheel. Select a silicon carbide grinding wheel for stone and concrete. Use cotton reinforced wheels for non-ferrous metals.

Type 27 reinforced 1/8" cut-off wheels are suited for small cut-off and shallow notching operations only.

Grinding



WARNING

To reduce the risk of injury when grinding:

- ALWAYS hold the tool firmly with both hands using the handles provided; before and during grinding
- NEVER allow the wheel to bind
- NEVER use a wheel that has been dropped
- NEVER bang grinding wheel onto work
- NEVER grind without proper safety equipment

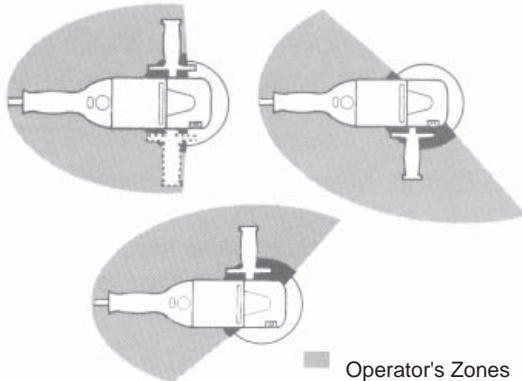


WARNING

To reduce the risk of injury when grinding, ALWAYS use the proper guard. ALWAYS properly install the guard.

1. Depending on your job, position the guard to provide maximum protection for the operator (Fig. 5).

Fig. 5

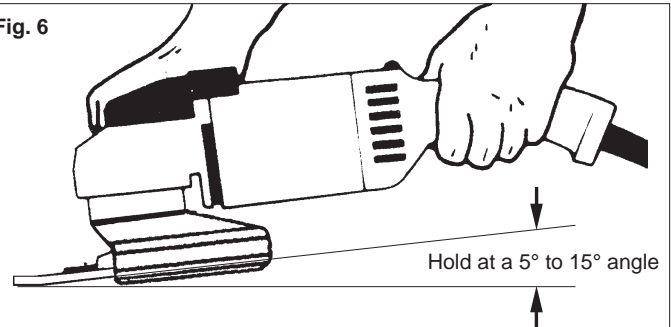


2. If you have just installed a grinding wheel or are just beginning a period of work, test the wheel by letting it spin for one minute before applying it to the workpiece.

NOTE: Out-of-balance wheels can mar workpiece, damage the tool, and cause stress to wheel that may cause wheel failure.

3. Firmly grasp rear handle and side handle before starting and while using tool. Allow wheel to come to full speed before starting to grind.
4. When grinding, hold tool at a 5° to 15° angle as shown, using constant pressure for a uniform finish (Fig. 6). Too great an angle causes too much pressure on small areas which may gouge or burn work surface.

Fig. 6



5. Control pressure and surface contact between wheel and workpiece. Too much pressure slows cutting speed.

Using Type 27 Cut-Off Wheels



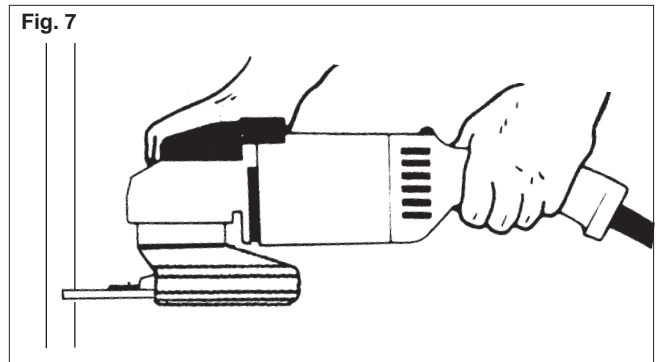
WARNING

A Type 27 guard must be installed when using a Type 27 cut-off wheel to provide maximum protection for the operator if the wheel should break.

Type 27 cut-off wheels are only suited for small cut-off and shallow notching operations.

1. Firmly grasp rear handle and side handle before starting and while using tool. Allow wheel to come to full speed before starting.
2. When using a cut-off wheel, hold tool as shown, using only the edge of the wheel (Fig. 7).

Fig. 7



3. Control pressure and surface contact between wheel and workpiece. Too much pressure slows cutting speed.

USING WIRE BRUSHES

Selecting Wire Brushes

Wire brushes are useful for removing rust, scale, burrs, weld slag, etc. A wide variety of wire brushes are available for many applications.

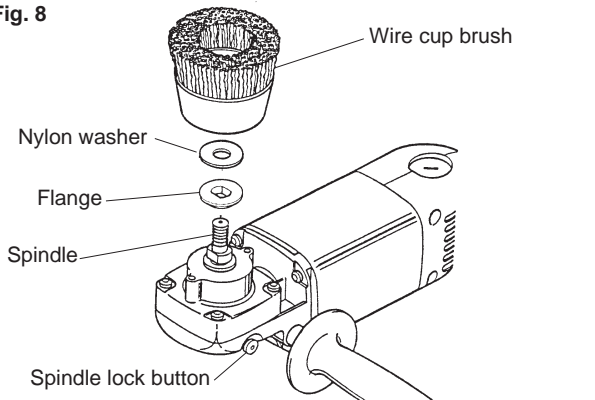


WARNING

Everyone in the area must wear protective clothing and safety goggles or face shields. Fatigued wires and residue will fly off the brush with considerable force, causing the potential for serious injuries.

Installing Wire Cup Brushes

Fig. 8



1. Unplug tool and place it upside down on a level surface. Remove any accessories from spindle.

NOTE: Never use a guard with a wire cup brush.

2. Thread flange and nylon washer onto spindle. Attach wire cup brush onto spindle.
3. Press in the spindle lock button while tightening brush with a wrench (not provided with tool).
4. To remove wire cup brush, unplug tool and reverse procedure.

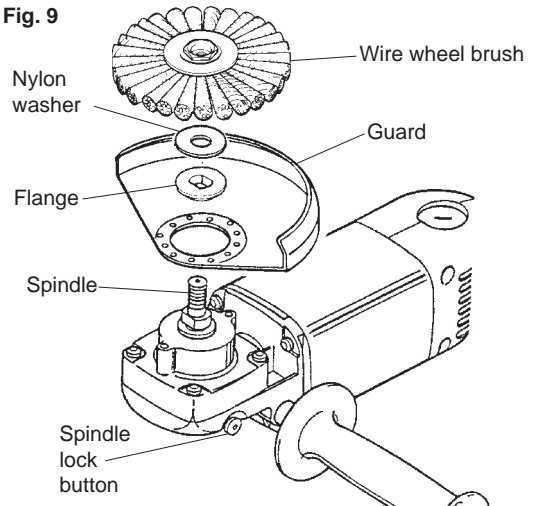
Installing Wire Wheel Brushes



WARNING

Because the wires on wire wheel brushes are directed towards the operator, a Type 27 guard must be used to protect the operator when fatigued wires break.

Fig. 9



1. Unplug tool and place it upside down on a level surface. Remove any accessories from spindle.
2. Thread flange and nylon washer onto spindle. Attach guard and wire wheel brush onto spindle (see Fig. 4 for attaching guard).

Position the guard in the location which offers best control and guard protection. For operating zones that provide maximum protection for the operator, see "Grinding".

3. Press in the spindle lock button while tightening brush with a wrench (not provided with tool).
4. To remove wire wheel brush and guard, unplug tool and reverse procedure.

Using Wire Brushes



WARNING

Never exceed Maximum Safe Operating Speed of the brush. Do not use a damaged brush or one which is functioning improperly (throwing wires, out-of-balance, etc.). These conditions increase the possibility of further brush failure and possible injury. Discard and replace damaged brushes immediately.

1. Do not wear loose clothing when using wire brushes. The wires may catch on loose clothing and pull the clothing into the moving parts.
2. Firmly grasp rear handle and side handle before starting and while using tool. Always test the wire brush for balance and loose or damaged wires by running tool at no load speed for at least one minute before applying it to your work.
3. When applying brush to work, avoid using too much pressure. This causes over-bending of wires and heat build-up resulting in premature wire breakage, rapid dulling and reduced brush life.

Instead of using more pressure, try a wire wheel brush with more aggressive cutting action (increased wire size, decreased wire length or different brush type, i.e. knot type instead of crimped wire type).

MAINTENANCE



WARNING

To reduce the risk of injury, always unplug your tool before performing any maintenance. Never disassemble the tool or try to do any rewiring on the tool's electrical system. Contact a **MILWAUKEE** service facility for ALL repairs.

Maintaining Tools

Keep your tool in good repair by adopting a regular maintenance program. Before use, examine the general condition of your tool. Inspect guards, switches, tool cord set and extension cord for damage. Check for loose screws, misalignment, binding of moving parts, improper mounting, broken parts and any other condition that may affect its safe operation. If abnormal noise or vibration occurs, turn the tool off immediately and have the problem corrected before further use. Do not use a damaged tool. Tag damaged tools "DO NOT USE" until repaired (see "Repairs").

Under normal conditions, relubrication is not necessary until the motor brushes need to be replaced. After six months to one year, depending on use, return your tool to the nearest **MILWAUKEE** service facility for the following:

- Lubrication
- Brush inspection and replacement
- Mechanical inspection and cleaning (gears, spindles, bearings, housing, etc.)
- Electrical inspection (switch, cord, armature, etc.)
- Testing to assure proper mechanical and electrical operation



WARNING

To reduce the risk of injury, electric shock and damage to the tool, never immerse your tool in liquid or allow a liquid to flow inside the tool.

Cleaning

Clean dust and debris from vents. Keep the tool handles clean, dry and free of oil or grease. Use only mild soap and a damp cloth to clean your tool since certain cleaning agents and solvents are harmful to plastics and other insulated parts. Some of these include: gasoline, turpentine, lacquer thinner, paint thinner, chlorinated cleaning solvents, ammonia and household detergents containing ammonia. Never use flammable or combustible solvents around tools.

Repairs

If your tool is damaged, return the entire tool to the nearest service center.

ACCESSORIES



WARNING

To reduce the risk of injury, always unplug the tool before attaching or removing accessories. Use only specifically recommended accessories. Others may be hazardous.

For a complete listing of accessories refer to your **MILWAUKEE** Electric Tool catalog or go on-line to www.milwaukeetool.com. To obtain a catalog, contact your local distributor or a service center.

FIVE YEAR TOOL LIMITED WARRANTY

Every **MILWAUKEE** electric power tool (including battery charger) is warranted to the original purchaser only to be free from defects in material and workmanship. Subject to certain exceptions, **MILWAUKEE** will repair or replace any part on a electric power tool which, after examination, is determined by **MILWAUKEE** to be defective in material or workmanship for a period of five (5) years* after the date of purchase. Return the electric power tool and a copy of proof of purchase to a **MILWAUKEE** factory Service/Sales Support Branch location or **MILWAUKEE** Authorized Service Station, freight prepaid and insured, are requested for this warranty to be effective. This warranty does not apply to damage that **MILWAUKEE** determines to be from repairs made or attempted by anyone other than **MILWAUKEE** authorized personnel, misuse, alterations, abuse, normal wear and tear, lack of maintenance, or accidents.

* The warranty period for Hoists (lever, hand chain, & electric chain hoists), all Ni-CD battery packs, Work Lights (cordless flashlights), Job Site Radios, and Trade Titan™ Industrial Work Carts is one (1) year from the date of purchase. *The warranty period for Li-Ion battery packs that do not contain V™-technology – 4.0 volts through 18.0 volts - is two (2) years from the date of purchase.

*There is a separate warranty for V™-technology Li-Ion Battery Packs V™18 volts and above that accompany V™-technology cordless power tools:

*Every **MILWAUKEE** V™-technology Li-Ion Battery Pack 18 volts or above is covered by an initial 1000 Charges/2 Years free replacement warranty. This means that for the earlier of the first 1000 charges or two (2) years from the date of purchase/first charge, a replacement battery will be provided to the customer for any defective battery free of charge. Thereafter, customers will also receive an additional warranty on a pro rata basis up to the earlier of the first 2000 charges or five (5) Years from the date of purchase/first charge. This means that every customer gets an additional 1000 charges or three (3) years of pro rata warranty on the V™-technology Li-Ion Battery Pack 18 volts or above depending upon the amount of use. During this additional warranty period, the customer pays for only the useable service received over and above the first 1000 Charges/2 years, based on the date of first charge and number of charges found on the battery pack via Milwaukee's V™-technology Service Reader.

Warranty Registration is not necessary to obtain the applicable warranty on a **MILWAUKEE** product. However, proof of purchase in the form of a sales receipt or other information deemed sufficient by **MILWAUKEE**, is requested. The manufacturing date of the product will be used to determine the warranty period if no proof of purchase is provided at the time warranty service is requested.

ACCEPTANCE OF THE EXCLUSIVE REPAIR AND REPLACEMENT REMEDIES DESCRIBED HEREIN IS A CONDITION OF THE CONTRACT FOR THE PURCHASE OF EVERY **MILWAUKEE** PRODUCT. IF YOU DO NOT AGREE TO THIS CONDITION, YOU SHOULD NOT PURCHASE THE PRODUCT. IN NO EVENT SHALL **MILWAUKEE** BE LIABLE FOR ANY INCIDENTAL, SPECIAL, CONSEQUENTIAL OR PUNITIVE DAMAGES, OR FOR ANY COSTS, ATTORNEY FEES, EXPENSES, LOSSES OR DELAYS ALLEGED TO BE AS A CONSEQUENCE OF ANY DAMAGE TO, FAILURE OF, OR DEFECT IN ANY PRODUCT INCLUDING, BUT NOT LIMITED TO, ANY CLAIMS FOR LOSS OF PROFITS. THIS WARRANTY IS EXCLUSIVE AND IN LIEU OF ALL OTHER WARRANTIES OR CONDITIONS, WRITTEN OR ORAL, EXPRESSED OR IMPLIED. WITHOUT LIMITING THE GENERALITY OF THE FOREGOING, **MILWAUKEE** DISCLAIMS ANY IMPLIED WARRANTY OF MERCHANTABILITY OR FITNESS FOR A PARTICULAR USE OR PURPOSE, AND ALL OTHER WARRANTIES.

RÈGLES DE SÉCURITÉ GÉNÉRALES RELATIVES AUX



AVERTISSEMENT

LIRE TOUTES LES RÈGLES ET INSTRUCTIONS DE SÉCURITÉ.

Ne pas suivre l'ensemble des règles et instructions peut entraîner une électrocution, un incendie ou des blessures graves.

Conserver les règles et les instructions à des fins de référence ultérieure.

Le terme «outil électrique» figurant dans les avertissements ci-dessous renvoie à l'outil électrique à alimentation par le réseau (à cordon) ou par batterie (sans fil).

SÉCURITÉ DU LIEU DE TRAVAIL

- **Maintenir la zone de travail propre et bien éclairée.** Les zones encombrées ou mal éclairées sont favorables aux accidents.
- **Ne pas utiliser d'outil électrique dans une atmosphère explosive, telle qu'en en présence de liquides, de gaz ou de poussières inflammables.** Les outils électriques génèrent des étincelles qui peuvent enflammer les poussières ou les fumées.
- **Tenir les enfants et les personnes non autorisées à l'écart pendant le fonctionnement d'un outil électrique.** Un manque d'attention de l'opérateur risque de lui faire perdre le contrôle de l'outil.

SÉCURITÉ ÉLECTRIQUE

- **La fiche de l'outil électrique doit correspondre à la prise d'alimentation. Ne jamais modifier la fiche d'une manière quelconque. Ne pas utiliser d'adaptateur avec les outils électriques mis à la terre (à la masse).** Des fiches non modifiées et des prises d'alimentation assorties réduisent le risque de choc électrique.
- **Éviter tout contact corporel avec des surfaces reliées à la masse ou à la terre telles que tuyaux, radiateurs, cuisinières et réfrigérateurs.** Un risque de choc électrique plus élevé existe si le corps est relié à la masse ou à la terre.
- **Ne pas exposer les outils électriques à la pluie ou à l'humidité.** Le risque de choc électrique augmente si de l'eau s'infiltre dans un outil électrique.
- **Prendre soin du cordon. Ne jamais utiliser le cordon pour transporter, tirer ou débrancher l'outil électrique. Tenir le cordon à l'écart de la chaleur, des huiles, des arêtes coupantes ou des pièces en mouvement.** Un cordon endommagé ou emmêlé présente un risque accru de choc électrique.
- **Se procurer un cordon d'alimentation approprié en cas d'utilisation d'un outil électrique à l'extérieur.** L'utilisation d'un cordon d'alimentation pour usage extérieur réduit le risque de choc électrique.
- **S'il est nécessaire d'utiliser l'outil électrique dans un endroit humide, installer un appareil à courant résiduel (RCD).** L'utilisation d'un RCD réduit le risque de décharge électrique.

SÉCURITÉ INDIVIDUELLE

- **Être sur ses gardes, être attentif et faire preuve de bon sens en utilisant un outil électrique. Ne pas utiliser un outil électrique en cas de fatigue ou sous l'influence de drogues, d'alcool ou de médicaments.** Un instant d'inattention lors de l'utilisation d'un outil électrique peut entraîner des blessures graves.
- **Porter l'équipement de protection requis. Toujours porter une protection oculaire.** Selon les conditions, porter aussi un masque anti-poussières, des bottes de sécurité antidérapantes, un casque protecteur ou une protection auditive afin de réduire les blessures.
- **Empêcher les démarrages accidentels. S'assurer que la gâchette est en position d'arrêt avant de brancher l'outil à une source de courant, d'insérer la batterie, de le ramasser ou de le transporter.** Le fait de transporter l'outil en gardant le doigt sur la gâchette ou de le brancher lorsque la gâchette est en position de marche favorise les accidents.
- **Retirer toute clé de réglage avant de mettre l'outil sous tension.** Une clé laissée attachée sur une pièce mobile de l'outil électrique peut entraîner des blessures.
- **Ne pas travailler à bout de bras. Bien garder un bon équilibre à tout instant.** Ceci permet de mieux préserver la maîtrise de l'outil électrique dans des situations imprévues.
- **Porter des vêtements adéquats. Ne pas porter de vêtements amples ni de bijoux. Ne pas approcher les cheveux, vêtements et gants des**

pièces en mouvement. Les vêtements amples, les bijoux ou les cheveux longs risquent d'être happés par les pièces en mouvement.

- **Si des dispositifs sont prévus pour l'extraction et la récupération des poussières, vérifier qu'ils sont connectés et utilisés correctement.** L'utilisation de ces dispositifs peut réduire les risques liés aux poussières.

UTILISATION ET ENTRETIEN DE L'OUTIL ÉLECTRIQUE

- **Ne pas forcer l'outil électrique. Utiliser l'outil électrique approprié à l'application considérée.** L'outil électrique adapté au projet considéré produira de meilleurs résultats, dans des conditions de sécurité meilleures, à la vitesse pour laquelle il a été conçu.
- **Ne pas utiliser l'outil électrique si le commutateur ne le met pas sous ou hors tension.** Tout outil électrique dont le commutateur de marche-arrêt est inopérant est dangereux et doit être réparé.
- **Débrancher la fiche de la prise d'alimentation et/ou la batterie de l'outil électrique avant d'effectuer des réglages, de changer d'accessoires ou de ranger l'outil.** De telles mesures de sécurité préventive réduisent le risque de mettre l'outil en marche accidentellement.
- **Ranger les outils électriques inutilisés hors de la portée des enfants et ne pas laisser des personnes qui connaissent mal les outils électriques ou ces instructions utiliser ces outils.** Les outils électriques sont dangereux dans les mains d'utilisateurs non formés à leur usage.
- **Entretien des outils électriques. S'assurer de l'absence de tout désalignement ou de grippage des pièces mobiles, de toute rupture de pièce ou de toute autre condition qui pourrait affecter le bon fonctionnement de l'outil électrique. En cas de dommages, faire réparer l'outil avant de l'utiliser de nouveau.** Les outils électriques mal entretenus sont à la source de nombreux accidents.
- **Garder les outils de coupe affûtés et propres.** Les outils de coupe correctement entretenus et bien affûtés risquent moins de se gripper et sont plus faciles à manier.
- **Utiliser l'outil électrique, les accessoires, les grains etc. conformément à ces instructions en tenant compte des conditions de travail et de la tâche à effectuer.** L'utilisation de cet outil électrique pour effectuer une opération pour laquelle il n'est pas conçu peut occasionner une situation dangereuse.

ENTRETIEN

- **Faire effectuer l'entretien de l'outil électrique par un technicien qualifié qui n'utilisera que des pièces de rechange identiques.** La sécurité d'utilisation de l'outil en sera préservée.

RÈGLES DE SÉCURITÉ PARTICULIÈRE

Règles de sécurité générales pour le meulage des pièces, le nettoyage à l'aide d'une brosse métallique ou le découpage à l'abrasif :

- **Cet outil électrique est conçu pour servir de meuleuse, de ponceuse, de brosse métallique ou d'outil de coupe. Lire tous les avertissements et toutes les instructions, les illustrations et les caractéristiques fournis avec cet outil électrique.** Ne pas suivre l'ensemble des instructions décrites ci-dessous peut entraîner une électrocution, un incendie ou des blessures graves.
- **Il n'est pas recommandé d'utiliser cet outil électrique pour polissage.** Le fait d'utiliser l'outil pour effectuer des tâches pour lesquelles il n'est pas conçu peut présenter un risque et entraîner des blessures.
- **Ne pas utiliser des accessoires qui ne sont pas spécialement conçus pour le modèle d'outil ou qui ne sont pas recommandés par le fabricant.** Le simple fait qu'un accessoire peut s'ajuster sur l'outil électrique ne signifie pas qu'il peut être utilisé en toute sécurité.

- **La vitesse nominale de l'accessoire doit au moins être égale à la vitesse maximale indiquée sur l'outil électrique.** Les accessoires qui sont utilisés à une vitesse supérieure à leur vitesse nominale peuvent se briser et se détacher.
- **Le diamètre extérieur et l'épaisseur de l'accessoire doivent être conformes à la capacité de l'outil électrique.** Il est impossible de protéger ou de contrôler adéquatement un accessoire de dimension inappropriée.
- **La taille de l'arbre des meules, des brides, des plateaux porte-disque ou de tout autre accessoire doit convenir parfaitement à la broche de l'outil électrique.** Si les accessoires utilisés sont dotés d'alésages centraux qui ne conviennent pas à la pièce de montage de l'outil, ils se déstabiliseront, vibreront de façon excessive et pourront causer une perte de contrôle.
- **Ne pas utiliser un accessoire endommagé.** Inspecter l'accessoire avant chaque utilisation afin de s'assurer que les meules, par exemple, sont exemptes d'ébréchantures et de fissures, que le plateau porte-disque est exempt de fissures et qu'il n'est pas usé de façon excessive, et que la brosse métallique ne comprend pas de fils détachés ou craquelés. Si l'outil électrique ou l'accessoire est échappé, s'assurer qu'il n'est pas endommagé ou installer un autre accessoire. Après avoir effectué cette opération, se tenir à distance de l'accessoire en rotation et faire fonctionner l'outil à sa vitesse à vide maximale pendant une minute. S'assurer que personne ne se tient à proximité de l'outil. Les accessoires endommagés se brisent généralement lors de cette vérification.
- **Porter de l'équipement de protection de qualité professionnelle.** Selon le type d'opération, porter un masque de protection ou des lunettes de sécurité. Au besoin, porter également un masque anti-poussières, un protecteur d'oreille, des gants et un tablier d'atelier résistant aux petits fragments abrasifs ou aux fragments provenant des pièces à travailler. La protection oculaire utilisée doit résister aux débris projetés lors des différentes opérations. Le masque anti-poussières et le masque filtrant doivent filtrer les particules produites lors de l'opération. Une exposition prolongée à un bruit fort peut entraîner une perte auditive.
- **S'assurer que personne ne se tient à proximité du lieu de travail.** Toute personne qui entre sur le lieu de travail doit porter l'équipement de protection requis. Des fragments provenant de la pièce à travailler ou d'un accessoire brisé peuvent être projetés et causer des blessures, même à des personnes se tenant à une certaine distance du lieu de travail immédiat.
- **Tenir l'outil par ses surfaces de préhension isolées lors des opérations pendant lesquelles l'accessoire de coupe peut entrer en contact avec du câblage caché ou avec son propre cordon d'alimentation.** Le contact avec un fil sous tension « électrifié » les pièces métalliques exposées de l'outil et peut électrocuter l'utilisateur.
- **Tenir le cordon loin de l'accessoire en rotation.** En cas de perte de contrôle, le cordon peut être coupé ou accroché, et la main ou le bras de l'utilisateur risquent d'entrer en contact avec l'accessoire en rotation.
- **Ne jamais déposer l'outil électrique avant l'arrêt complet de l'accessoire.** L'accessoire en rotation peut accrocher la surface et occasionner une perte de contrôle.
- **Ne jamais laisser l'outil électrique fonctionner en le transportant à ses côtés.** L'accessoire en rotation peut s'accrocher accidentellement aux vêtements et entrer en contact avec l'utilisateur.
- **Nettoyer régulièrement les événements d'aération de l'outil électrique.** Le ventilateur du moteur aspire la poussière dans le logement et crée une accumulation excessive de métal fritté, ce qui peut causer un risque électrique.
- **Ne pas faire fonctionner l'outil électrique à proximité de matériaux inflammables.** Les étincelles peuvent enflammer ces matériaux.
- **Ne pas utiliser d'accessoires qui nécessitent des liquide de refroidissement.** L'utilisation d'eau ou d'un autre liquide de refroidissement peut entraîner une électrocution ou un choc électrique.

REBONDS ET AVERTISSEMENTS CONNEXES

Un rebond est une réaction soudaine attribuable au pincement ou à l'accrochage de la meule, du plateau porte-disque, de la brosse ou de tout autre accessoire en rotation. Un pincement ou un accrochage provoque le blocage immédiat de l'accessoire en rotation qui, à son tour, entraîne l'outil incontrôlé dans le sens opposé à la rotation de l'accessoire, à l'endroit du coincement.

Par exemple, si une meule abrasive est accrochée ou pincée par la pièce à travailler, le rebond de la meule qui entre dans le point de pincement peut

s'enfoncer dans la surface du matériau, éjectant la meule de la pièce à travailler ou la faisant rebondir, vers l'utilisateur ou loin de lui, selon le sens du mouvement de la meule au point de pincement. Dans ces conditions d'utilisation, les meules abrasives peuvent également se briser.

Un rebond est attribuable à une mauvaise utilisation de l'outil ou au non-respect des procédures ou des conditions d'utilisation. Pour empêcher les rebonds, respecter les directives décrites ci-dessous.

- **Tenir fermement l'outil électrique et placer le corps et les mains de manière à pouvoir résister aux rebonds.** Toujours utiliser la poignée auxiliaire, s'il y en a une, pour assurer un contrôle optimal en cas de rebond ou de réaction de couple lors du démarrage de l'outil. L'utilisateur peut contrôler les rebonds et les réactions de couple s'il respecte les directives prescrites.
- **Ne jamais placer les mains à proximité de l'accessoire en rotation.** En cas de rebond, l'accessoire peut dévier sur celles-ci.
- **Ne pas positionner le corps à l'endroit où sera entraîné l'outil électrique si un rebond se produit.** Un rebond entraînera l'outil dans le sens opposé au mouvement de la meule, à l'endroit de l'accrochage.
- **Faire preuve d'une extrême prudence au moment d'utiliser l'outil sur des coins ou des rebords tranchants.** Les coins, les rebords tranchants et les surfaces rebondissantes ont tendance à s'accrocher à la pièce en rotation et à causer une perte de contrôle ou des rebonds.
- **Ne pas fixer une lame de sculpteur pour scie à chaîne ou une lame de scie dentée.** Ces deux types de lame occasionnent de nombreux rebonds et des pertes de contrôle fréquentes.

Règles de sécurité particulières pour Meulage et tronçonnage à la meule :

- **Utiliser seulement les types de meule recommandés pour cet outil électrique et le protège disque spécialement conçu pour la meule utilisée.** Il est impossible de protéger de façon adéquate les meules qui ne sont pas spécialement conçues pour l'outil électrique. De plus, elles ne sont pas sécuritaires.
- **Le protège disque doit être fixé solidement à l'outil électrique et positionné de manière à garantir une sécurité optimale; il importe donc de diriger le moins possible la meule vers l'utilisateur.** Le protège disque aide à protéger l'utilisateur des fragments qui peuvent se détacher de la meule et du contact accidentel avec la meule.
- **Utiliser seulement les meules pour effectuer des opérations pour lesquelles elles sont conçues. Par exemple, ne pas meuler avec le côté d'une meule à tronçonner.** Les meules à tronçonner abrasives doivent être utilisées pour la rectification périphérique. Le fait d'appliquer une force latérale sur les meules peut provoquer leur bris.
- **Toujours utiliser des brides de meules non endommagées de formes et de dimensions convenables.** Les brides de meules adéquates soutiennent la meule, ce qui minimise les risques de bris de la meule. Les brides des meules à tronçonner peuvent différer des brides de meules standards.
- **Ne pas utiliser de meules usées qui proviennent d'outils électriques de plus grandes dimensions.** Les meules conçues pour des outils électriques de plus grandes dimensions ne conviennent pas à la vitesse plus élevée des outils de plus petite dimension et peuvent éclater.

Règles de sécurité particulières pour Tronçonnage à la meule :

- **S'assurer que la meule à tronçonner ne se coince pas et éviter d'appliquer trop de pression. Ne pas régler la meule à une profondeur de coupe excessive.** Le fait d'appliquer trop de pression sur la meule augmente la charge, la tendance de la meule à se tordre ou à se coincer pendant la coupe, ainsi que les risques de rebond ou de bris de la meule.
- **Ne pas se tenir vis-à-vis de la meule en rotation ou derrière celle-ci.** Pendant l'opération, lorsque la meule s'éloigne de l'utilisateur, un rebond pouvant projeter la meule en rotation et l'outil électrique directement vers l'utilisateur peut se produire.
- **Si la meule se coince ou si l'opération de coupe est interrompue pour une raison quelconque, éteindre l'outil électrique et le maintenir immobile jusqu'à ce que la meule s'arrête complètement. Ne jamais tenter de retirer la meule à tronçonner lorsque celle-ci est en mouvement afin d'éviter qu'un rebond ne se produise.** Examiner la situation et trouver une solution qui permettra d'éviter que la meule ne se coince.
- **Ne pas remettre en marche l'outil si celui-ci est dans la pièce à travailler. Permettre à la meule d'atteindre sa vitesse maximale puis la réinsérer dans le trait de coupe avec précaution.** La meule risque de se coincer, de se soulever ou de rebondir si cette précaution n'est pas prise.

- **Soutenir les panneaux ainsi que toute pièce à travailler surdimensionnée afin de minimiser les risques de pincement de la meule et de rebond.** Les pièces à travailler de grandes dimensions ont tendance à fléchir sous leur propre poids. Il importe donc de disposer des supports sous la pièce à travailler, près du trait de coupe ainsi que du rebord de la pièce à travailler, des deux côtés de la meule.
- **Faire preuve d'une grande prudence au moment d'effectuer une coupe de petite dimension dans un mur ou à tout autre endroit où la visibilité est réduite.** La meule sortante peut couper les conduites d'eau ou de gaz, le câblage électrique, ainsi que tout autre objet pouvant provoquer un rebond.

Règles de sécurité particulières pour Ponçage :

- **Ne pas utiliser un papier pour disque abrasif surdimensionné. Suivre les recommandations du fabricant au moment de choisir le papier abrasif.** Un papier abrasif qui excède la surface du patin de ponçage présente un risque de laceration et peut entraîner un accrochage, le déchirement du disque ou un rebond.

Règles de sécurité particulières pour Utilisation d'une brosse métallique :

- **Porter une attention particulière à la brosse métallique, dont les poils peuvent être projetés même pendant une opération régulière. Éviter d'appliquer trop de pression sur les poils en appuyant sur la brosse de manière excessive.** Les poils de la brosse métallique peuvent pénétrer facilement dans les vêtements léger ou la peau.
- **S'il est recommandé d'installer un protège-meule lors de l'utilisation d'une brosse métallique, s'assurer que celui-ci n'entre pas en contact avec la brosse métallique.** Le diamètre de la brosse métallique peut augmenter en raison de la charge et de la force centrifuge.

Spécifications

No de Cat.	Volts	A	T/Min. à vide	Dimension Pivot	Dimension Meule
6065	120 CA/CD	15	5 000	5/8"-11	178/229 mm (7"/9")
6065-6	120 CA/CD	15	5 000	5/8"-11	178/229 mm (7"/9")
6066	120 CA/CD	15	6 000	5/8"-11	178/229 mm (7"/9")
6066-6	120 CA/CD	15	6 000	5/8"-11	178/229 mm (7"/9")
6072	120 CA/CD	13	5 000	5/8"-11	178/229 mm (7"/9")
6078	120 CA	13	0 - 6 000	5/8"-11	178/229 mm (7"/9")

Règles de sécurité supplémentaires

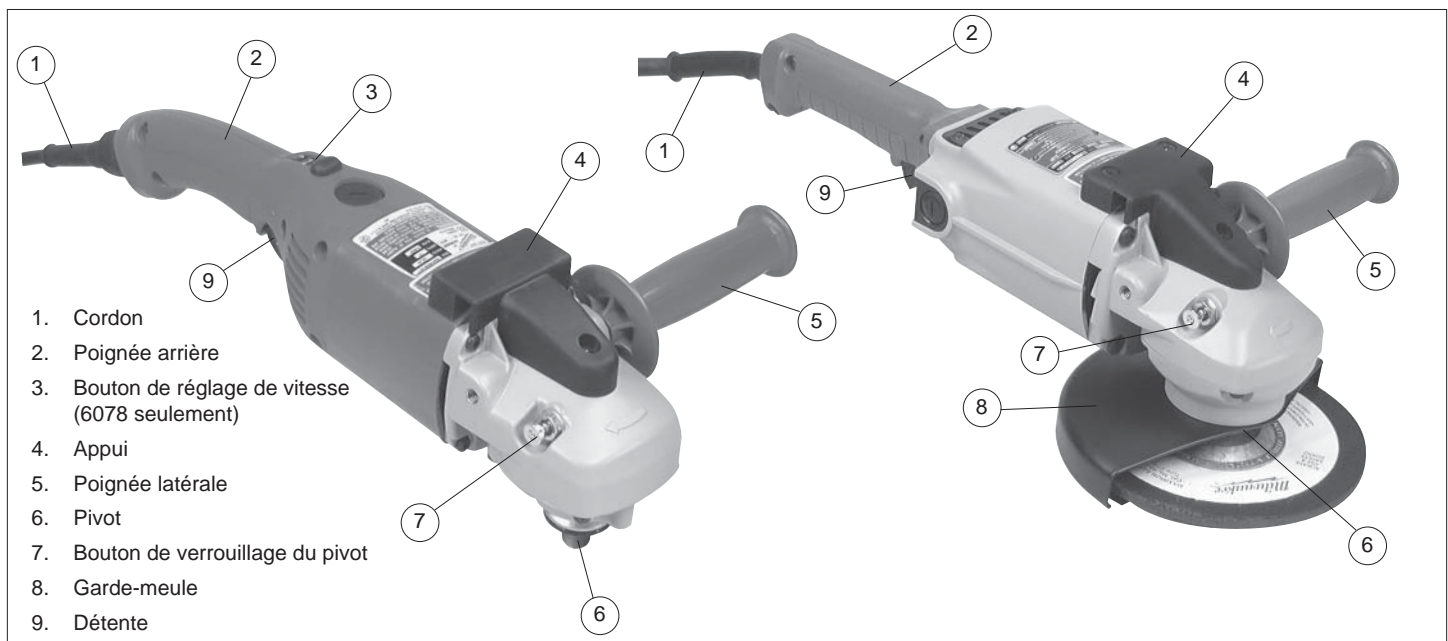
- **Maintenir en l'état les étiquettes et les plaques d'identification.** Des informations importantes y figurent. Si elles sont illisibles ou manquantes, contacter un centre de services et d'entretien **MILWAUKEE** pour un remplacement gratuit.
- **AVERTISSEMENT :** Certaines poussières générées par les activités de ponçage, de coupe, de rectification, de perçage et d'autres activités de construction contiennent des substances considérées être la cause de malformations congénitales et de troubles de l'appareil reproducteur. Parmi ces substances figurent:
 - le plomb contenu dans les peintures à base de plomb;
 - la silice cristalline des briques, du ciment et d'autres matériaux de maçonnerie, ainsi que
 - l'arsenic et le chrome des sciages traités chimiquement.

Les risques encourus par l'opérateur envers ces expositions varient en fonction de la fréquence de ce type de travail. Pour réduire l'exposition à ces substances chimiques, l'opérateur doit: travailler dans une zone bien ventilée et porter l'équipement de sécurité approprié, tel qu'un masque anti-poussière spécialement conçu pour filtrer les particules microscopiques.

Pictographie

	Double Isolation
	Underwriters Laboratories, Inc., États-Unis et Canada
	Courant alternatif ou direct
	Courant alternatif
n_0	Tours-minute à vide (RPM)
	Ampères
	Los estándares mexicanos de la seguridad

DESCRIPTION FONCTIONNELLE



MISE À LA TERRE



AVERTISSEMENT

Si le fil de mise à la terre est incorrectement raccordé, il peut en résulter des risques de choc électrique. Si vous n'êtes pas certain que la prise dont vous vous servez est correctement mise à la terre, faites-la vérifier par un électricien. N'altérez pas la fiche du cordon de l'outil. N'enlevez pas de la fiche, la dent qui sert à la mise à la terre. N'employez pas l'outil si le cordon ou la fiche sont en mauvais état. Si tel est le cas, faites-les réparer dans un centre-service **MILWAUKEE** accrédité avant de vous en servir. Si la fiche du cordon ne s'adapte pas à la prise, faites remplacer la prise par un électricien.

Outils mis à la terre :

Outils pourvus d'une fiche de cordon à trois dents

Les outils marqués « Mise à la terre requise » sont pourvus d'un cordon à trois fils dont la fiche a trois dents. La fiche du cordon doit être branchée sur une prise correctement mise à la terre (voir Figure A). De cette façon, si une défécuosité dans le circuit électrique de l'outil survient, le relais à la terre fournira un conducteur à faible résistance pour décharger le courant et protéger l'utilisateur contre les risques de choc électrique.

La dent de mise à la terre de la fiche est reliée au système de mise à la terre de l'outil via le fil vert du cordon. Le fil vert du cordon doit être le seul fil raccordé à un bout au système de mise à la terre de l'outil et son autre extrémité ne doit jamais être raccordée à une borne sous tension électrique.

Votre outil doit être branché sur une prise appropriée, correctement installée et mise à la terre conformément aux codes et ordonnances en vigueur. La fiche du cordon et la prise de courant doivent être semblables à celles de la Figure A.

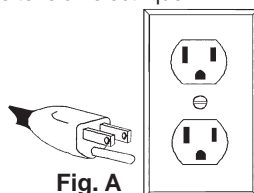


Fig. A

Outils à double isolation :

Outils pourvus d'une fiche de cordon à deux dents

Les outils marqués « Double Isolation » n'ont pas besoin d'être raccordés à la terre. Ils sont pourvus d'une double isolation conforme aux exigences de l'OSHA et satisfont aux normes de l'Underwriters Laboratories, Inc., de l'Association canadienne de normalisation (ACNOR) et du « National Electrical Code » (code national de l'électricité). Les outils à double isolation peuvent être branchés sur n'importe laquelle des prises à 120 volt illustrées ci-contre Figure B et C.

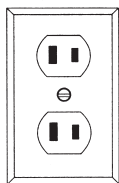


Fig. B

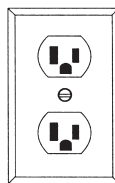


Fig. C

CORDONS DE RALLONGE

Si l'emploi d'un cordon de rallonge est nécessaire, un cordon à trois fils doit être employé pour les outils mis à la terre. Pour les outils à double isolation, on peut employer indifféremment un cordon de rallonge à deux ou trois fils. Plus la longueur du cordon entre l'outil et la prise de courant est grande, plus le calibre du cordon doit être élevé. L'utilisation d'un cordon de rallonge incorrectement calibré entraîne une chute de voltage résultant en une perte de puissance qui risque de détériorer l'outil. Reportez-vous au tableau ci-contre pour déterminer le calibre minimum du cordon.

Moins le calibre du fil est élevé, plus sa conductivité est bonne. Par exemple, un cordon de calibre 14 a une meilleure conductivité qu'un cordon de calibre 16. Lorsque vous utilisez plus d'une rallonge pour couvrir la distance, assurez-vous que chaque cordon possède le calibre minimum requis. Si vous utilisez un seul cordon pour brancher plusieurs outils, additionnez le chiffre d'intensité (ampères) inscrit sur la fiche signalétique de chaque outil pour obtenir le calibre minimal requis pour le cordon.

Directives pour l'emploi des cordons de rallonge

- Si vous utilisez une rallonge à l'extérieur, assurez-vous qu'elle est marquée des sigles « W-A » (« W » au Canada) indiquant qu'elle est adéquate pour usage extérieur.
- Assurez-vous que le cordon de rallonge est correctement câblé et en bonne condition. Remplacez tout cordon de rallonge détérioré ou faites-le remettre en état par une personne compétente avant de vous en servir.
- Tenez votre cordon de rallonge à l'écart des objets ranchants, des sources de grande chaleur et des endroits humides ou mouillés.

Calibres minimaux recommandés pour les cordons de rallonge*

Fiche signalétique Ampères	Longueur du cordon de rallonge (m)					
	7,6	15,2	22,8	30,4	45,7	60,9
0 - 5,0	16	16	16	14	12	12
5,1 - 8,0	16	16	14	12	10	--
8,1 - 12,0	14	14	12	10	--	--
12,1 - 15,0	12	12	10	10	--	--
15,1 - 20,0	10	10	10	--	--	--

* Basé sur sur une chute de voltage limite de 5 volts à 150% de l'intensité moyenne de courant.

**LISEZ ATTENTIVEMENT CES INSTRUCTIONS
ET CONSERVEZ-LES POUR LES
CONSULTER AU BESOIN.**

MONTAGE DE L'OUTIL

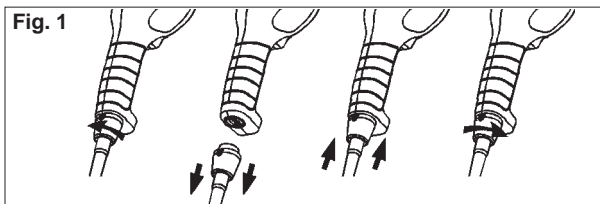


AVERTISSEMENT

Pour minimiser les risques de blessures, débranchez toujours l'outil avant d'y faire des réglages, d'y attacher ou d'en enlever les accessoires. L'usage d'accessoires autres que ceux qui sont spécifiquement recommandés pour cet outil peut comporter des risques.

Retrait et remplacement du cordon Quik-Lok® (Certains Modèles)

Les cordons Quik-Lok® exclusifs à MILWAUKEE permettent d'installer le cordon ou de le remplacer sur place en un tournemain.



1. Pour retirer le cordon Quik-Lok®, tournez l'écrou du cordon 1/4 de tour vers la gauche et retirez-le.
2. Pour remettre le cordon en place, alignez les rainures à clavettes du connecteur et poussez le connecteur aussi loin que possible. Tournez ensuite l'écrou du cordon 1/4 de tour vers la droite pour le verrouiller.

Pose de la poignée latérale

La poignée latérale peut être installée sur le dessus ou sur l'un ou l'autre des côtés de la boîte d'engrenages pour usage gaucher ou droitier. Placez la poignée sur le côté offrant la meilleure maîtrise de l'outil et la meilleure protection du garde-meule. Pour connaître la position offrant la meilleure protection, voir « Meulage ». Vissez la poignée dans la cavité fileté sur le côté de l'outil et serrez-la à fond.

Installation, réglage et retrait du garde-meule (Certains Modèles)



AVERTISSEMENT

Afin de réduire le risque de blessures au cours du meulage, employez toujours. Le garde approprié et installez-le correctement.

Le garde-meule doit être utilisé lorsque l'outil sert de rectifieuse. Lorsque l'outil est employé comme ponceuse, il faut retirer le garde-meule.

1. Pour installer le garde-meule, débranchez l'outil et placez-le à l'envers sur une surface plane. Enlevez du pivot tous les accessoires.
2. Placez le garde-meule sur le pivot. Placez le garde-meule à la position offrant la meilleure maîtrise et la meilleure protection. Pour connaître la position offrant la meilleure protection, voir « Meulage ».
3. Fixez-le à la moitié inférieure de la boîte d'engrenages en vous servant des vis et des rondelles fournies à cette fin.

MANIEMENT



AVERTISSEMENT

Pour minimiser les risques de blessures, portez des lunettes à coques latérales. Débranchez l'outil avant de changer les accessoires ou d'effectuer des réglages.

Démarrage et arrêt du moteur

1. Pour mettre l'outil en Los Estándares Mexicanos de la Seguridad, appuyez sur la détente.
2. Pour arrêter l'outil, relâchez la détente.



AVERTISSEMENT

Pour minimiser les risques de blessures, n'employez pas le bouton de déverrouillage du pivot pour freiner la rotation de l'outil tandis qu'il est en usage ou qu'il tourne sur son axe.

Verrouillage de la détente (Certains Modèles)

Le bouton de verrouillage placé à côté de la détente sert à maintenir la détente en position de marche « ON » pour la rotation interrompre à plein régime.

1. Pour verrouiller la détente, enfoncez le bouton de verrouillage tout en appuyant sur la détente. Relâchez la détente.
2. Pour déverrouiller la détente, enfoncez et relâchez la détente.

Utilisation du bouton de réglage de vitesse (No de cat. 6078 seul.)

Le No de cat. 6078 est équipé d'un bouton de réglage de vitesse et d'une gâchette à vitesse variable. La vitesse maximale peut être réglée en utilisant le bouton de réglage de vitesse et la variation de vitesse est obtenue en appuyant sur la gâchette. Les réglages du bouton de réglage de vitesse s'étendent de 1 à 5. Les chiffres moins élevés correspondent à des vitesses plus lentes et les chiffres plus élevés à des vitesses plus rapides. Utilisez le réglage qui convient à la tâche.

Pour contrôler la vitesse, réglez le bouton au chiffre voulu. Appuyez ensuite sur la gâchette. Augmentez ou diminuez la pression sur la gâchette pour faire varier la vitesse. Pour arrêter l'outil, relâchez la gâchette.

Sélection des disques abrasifs et des meules



AVERTISSEMENT

Pour minimiser les risques de blessures corporelles et dommage à l'outil, n'employez que des accessoires d'un calibre (t/min.) égal ou supérieur à celui qui est indiqué sur la fiche signalétique de l'outil.

Utilisez des disques abrasifs et des meules qui sont :

- du calibre adéquat tel qu'indiqué sur la fiche signalétique de l'outil.
- du genre et de la texture adéquats pour la tâche.
- d'un calibre (t/min.) égal ou supérieur à celui qui est indiqué sur la fiche signalétique de l'outil.

Utilisez des disques d'appui, adaptateurs et autres accessoires qui sont :

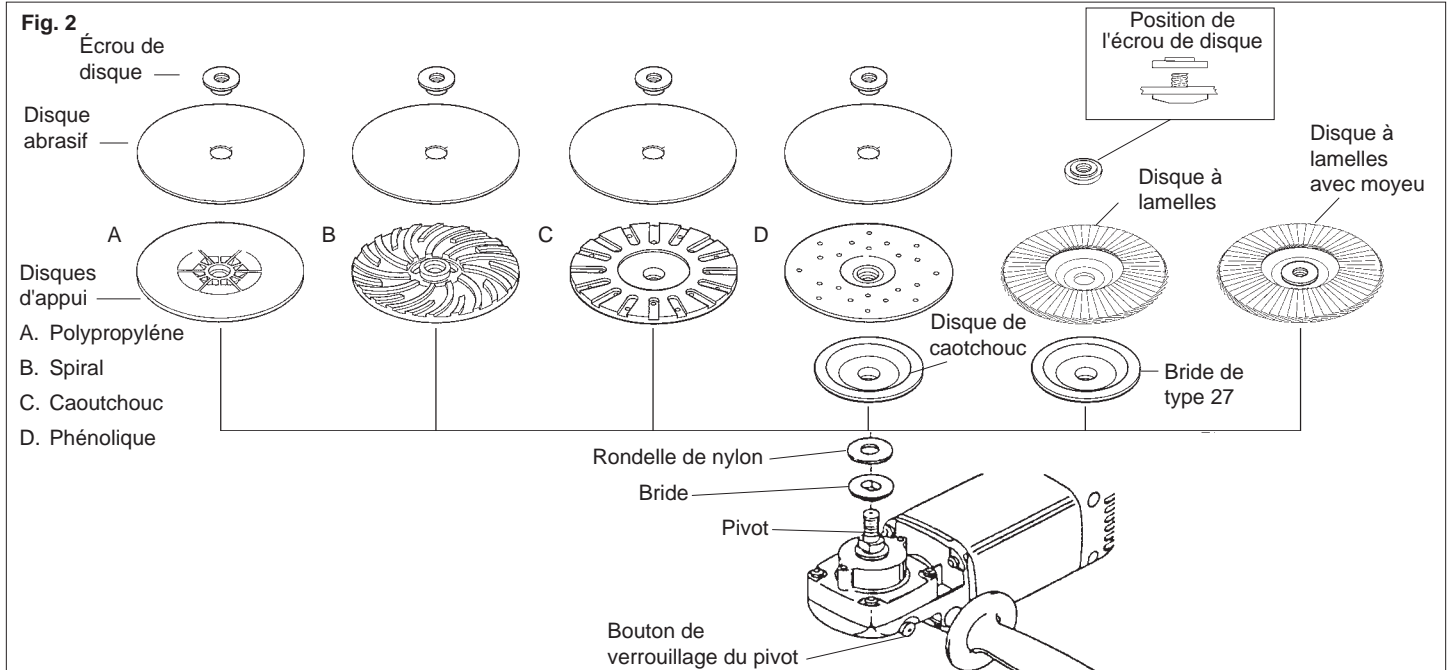
- de la bonne dimension pour l'outil, le disque abrasif ou la meule.
- d'un calibre (t/min.) égal ou supérieur à celui qui est indiqué sur la fiche signalétique de l'outil.
- l'accessoire approprié à la tâche.

Composants des disques abrasifs et des meules

Les disques abrasifs et les meules sont faits de divers matériaux et conçus pour des tâches variées. Assurez-vous de choisir le disque ou la meule appropriés au travail que vous vous proposez de faire.

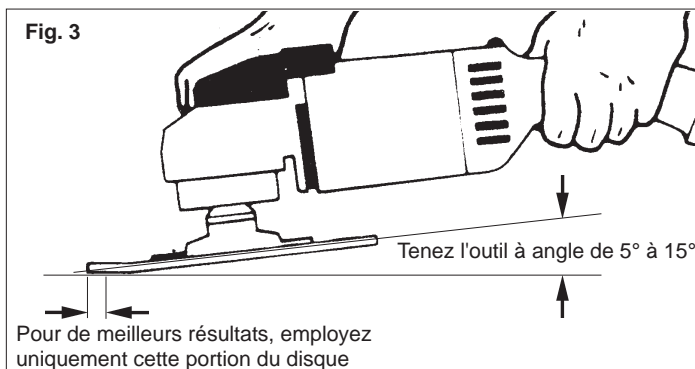
Installation du disque d'appui et du disque abrasif

- Débranchez l'outil et placez-le à l'envers sur une surface unie, tel qu'indiqué. Retirez les accessoires du pivot.
- Vissez la rondelle de nylon sur le pivot. Installez le disque d'appui et le disque abrasif en vous guidant sur la vignette (Fig. 2) pour déterminer le mode et l'ordre de montage. **N.B.** Lorsque vous installez un disque à lamelles sans moyeu, positionnez l'écrou de disque sur la vignette.
- Pour serrer, appuyez sur le bouton de blocage du pivot pendant que vous visserez l'écrou (sens horaire).
- Pour retirer le disque d'appui et le disque abrasif, débranchez l'outil et inversez le procédé.



Ponçage

- Maintenez le matériau à poncer avec une fixation, un étau ou par d'autres moyens afin de libérer vos deux mains pour le contrôle de l'outil. Empoignez fermement la poignée arrière et la poignée latérale avant et après le démarrage. Laissez le disque abrasif atteindre son plein régime avant de commencer à poncer.
- Tenez la ponceuse-rectifieuse à un angle de 5° à 15° , tel qu'indiqué, afin d'assurer la pression de ponçage et le contrôle de l'outil (Fig. 3). Si l'angle de ponçage est trop grand, il s'ensuivra trop de pression et une usure excessive du disque et du matériau. Si l'angle est trop étroit, le contrôle de l'outil en sera réduit.



- Ponchez par mouvements larges d'un côté à l'autre en avançant à chaque mouvement jusqu'à l'obtention du fini souhaitable.

Ponçage des marques de soudure et de forgeage

Pour faire disparaître les marques de soudure ou de forgeage, limitez le ponçage à grains grossiers au seul endroit marqué. Ponchez successivement à plus fins pour lisser la surface.

Ponçage latéral

Pour finir une surface préalablement poncée avec un disque à grains grossier ou une meule, ponchez à angle droit des marques laissées par le disque grossier. Les marques laissées par le ponçage précédent sont faciles à voir et à enlever. Si l'on néglige de poncer latéralement après un changement de disque, il pourra rester des rainures profondes et des marques circulaires à la fin du ponçage.

Fini du métal

Déplacez constamment la ponceuse sur la surface. Travaillez plus prestement sur les endroits arrondis où le contact avec le disque est restreint et la pression plus grande. Une trop grande pression pourra laisser des marques à la fin d'un mouvement. Réduisez la pression vers la fin des mouvements d'un côté à l'autre pour éviter que les côtés ne soient trop usés à l'endroit où le mouvement revient sur lui-même.

Dépistage des dérangements

Les rayures profondes peuvent provenir de :

- Usage d'un grain trop grossier.
- Usage d'un disque encroûté.
- Saleté ou particules de métal sur le matériau à poncer.
- Défaut de poncer perpendiculairement aux marques du ponçage grossier après changement de disque.
- Défaut d'utiliser un disque à grains serrés. Les disques à grains serrés perdent moins souvent leurs grains sur la surface.

Le bluissement de la surface métallique indique une surchauffe qui peut provenir de :

- Surchauffe causée par un mouvement circulaire en espace restreint.
- Pression excessive.
- Emploi d'un disque usé ou encroûté.

Choix des disques abrasifs et des grains

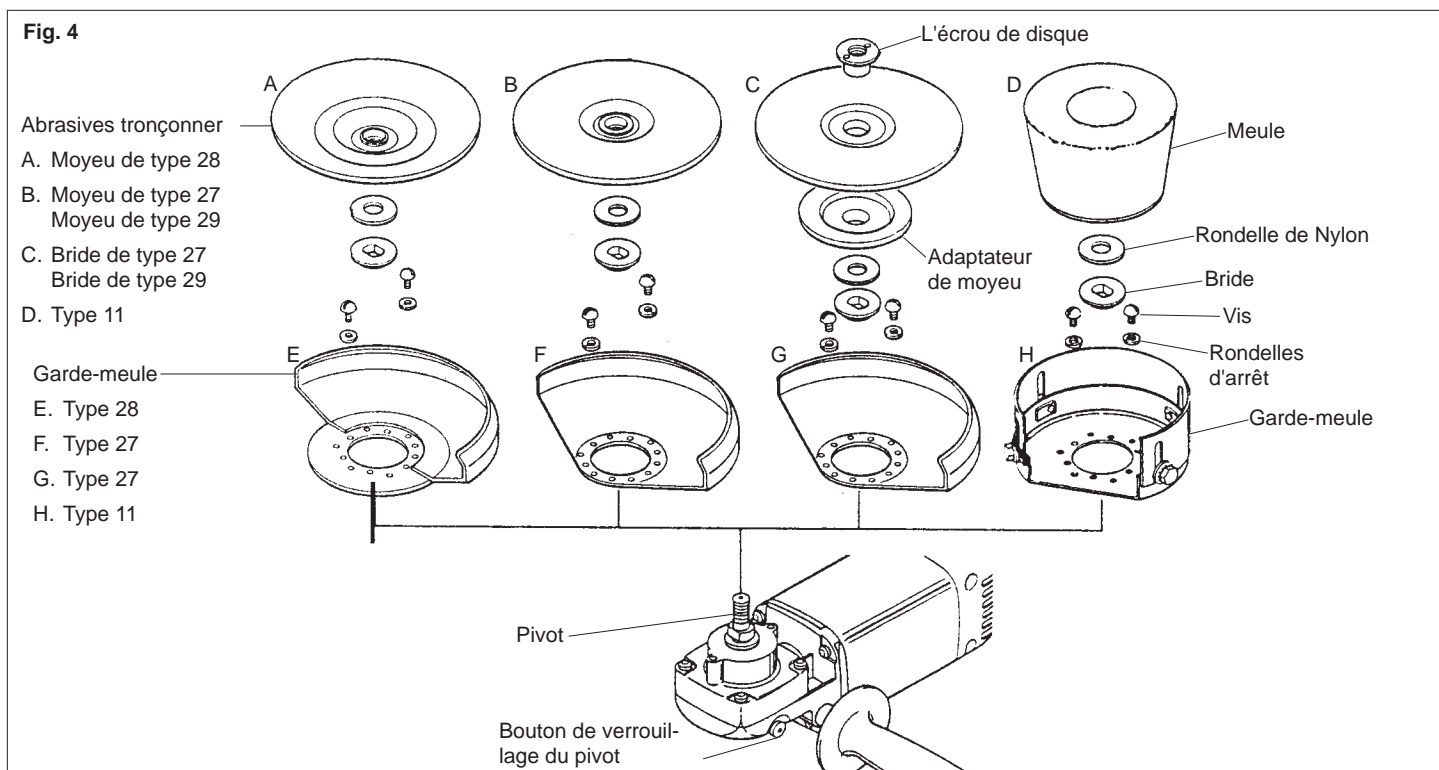
Consultez le tableau ci-dessous pour connaître le disque abrasif qui convient à votre tâche. En général, utilisez des disques à 16, 24 ou 36 grains pour le décapage robuste; 50, 60 ou 80 grains pour le décapage moyen et 120 pour la finition. Commencez toujours avec un disque à grains grossiers pour continuer avec des disques progressivement plus fins. Voir « Catalogue » pour la gamme complète des disques abrasifs **MILWAUKEE**.

Corindon	Aluminium-Zircone Bi-Cut	Céramique
Pour abrasion rapide. Disque d'usage général convenant à la plupart des tâches sur les métaux. Idéal pour l'acier laminé à froid, l'acier inoxydable et les métaux exigeant un abrasif robuste et durable.	Conception unique des grains formant un agglomérat rugueux pour extirper les dépôts et nettoyer rapidement. Idéal pour décaper sans encroûtement la peinture des autos, bateaux, fibre de verre, etc.	Dure trois fois plus longtemps qu'un disque en corindon. Pour le travail général sur les métaux, l'outil idéal pour les tâches robustes.

UTILISATION DES MEULES ABRASIVES ET DES MEULES À TRONÇONNER

Installation de la meule

- Débranchez l'outil et posez-le à l'envers sur une surface plane, tel qu'indiqué. Enlevez les accessoires du pivot.
- Vissez la rondelle de nylon sur le pivot. Installez le garde-meule et la meule abrasive en vous basant sur la vignette Fig. 4 pour le mode et l'ordre de montage (voir « Installation, réglage et retrait du garde-meule » pour l'installation du garde-meule. **N.B.** Lorsque vous optez pour une meule abrasive de type 27 ou type 29, positionnez l'écrou de disque selon l'épaisseur de la meule.
Positionnez le garde-meule à l'endroit offrant la meilleure maîtrise et la meilleure protection. Pour connaître les zones de travail qui offrent une protection maximale à l'utilisateur. Voir « Meulage ». **N.B.** Si vous optez pour un meule-boisseau de type 11, ajustez la jupe du garde-meule pour ne laisser dépasser de 3,2 mm (1/8") de la meule hors du garde-meule.
- Pour serrer, appuyez sur le bouton de verrouillage du pivot et faites tourner la meule ou le écrou de disque en sens horaire à l'aide de la clé à ergots qui accompagne l'outil.
- Pour retirer la meule et le garde-meule, débranchez l'outil et inversez la technique.



Soin des meules



AVERTISSEMENT

Pour minimiser les risques de blessures, l'utilisateur devrait être formé au maniement, à l'entretien et à la protection des meules.

Les meules devraient être protégées de :

- l'eau et l'humidité
- les solvants de tous genres
- les brusques variations de température
- les chutes et les heurts

Les meules devraient être rangées :

- de façon systématique pour permettre le retrait de l'une sans déranger ou endommager les autres
- avec leur fiche signalétique

Les meules ne devraient pas :

- choir
- rouler
- heurter

Si on laisse choir une meule, qu'on la roule, la heurte ou la soumet à de brusques changements de température, ou encore, si elle vient en contact avec des solvants ou de l'humidité, il vaut mieux en disposer immédiatement.

Dépistage des dérangements

Les rayures profondes et les marques circulaires peuvent provenir de :

- Pression inégale
- Utilisation d'une meule encrassée - surtout sur l'aluminium
- Saleté ou particules de métal sur le matériau
- Défaut de déplacer constamment l'outil sur la surface

Le bluissement d'une surface métallique indique :

- Surchauffe causée par des mouvements circulaires concentrés au même endroit
- Pression trop grande
- Usage d'une meule usée ou encrassée

Inspection des meules

Pour éviter de les endommager, manipulez les meules avec soin. Avant d'en installer une, inspectez-la pour y déceler des fissures. Si la meule est fissurée, disposez-en afin que personne d'autre ne puisse s'en servir.

Choix des meules



AVERTISSEMENT

N'utilisez que des disques dont la vitesse de rotation sécuritaire excède la vitesse de rotation mentionnée sur la fiche signalétique de l'outil. Cette vitesse de rotation est basée sur la résistance du disque en tenant compte de la sécurité. La vitesse de rotation indiquée n'est pas une norme de rendement, mais une norme de vitesse de rotation sécuritaire qu'il ne faut pas excéder.

Le meulage s'effectue par l'action abrasive de milliers de grains abrasifs sur la face de la meule. Lorsque vous meulez des métaux comme l'acier et le fer, choisissez une meule en corindon. Pour la pierre et le béton, une meule de carbure de silicium et pour les métaux non ferreux, une meule renforcée de coton.

Les meules de type 27 renforcées de 3,2 mm (1/8") conviennent pour de petits tronçonnages et des encoches seulement.

Meulage



AVERTISSEMENT

Pour minimiser les risques de blessures au cours du meulage :

- **TOUJOURS** tenir fermement l'outil par ses poignées avec les deux mains avant et durant le meulage.
- **NE JAMAIS** laisser la meule se coincer.
- **NE JAMAIS** utiliser une meule que l'on a laissé choir.
- **NE JAMAIS** heurter la meule sur le matériau.
- **NE JAMAIS** pratiquer le meulage sans l'équipement de protection nécessaire.

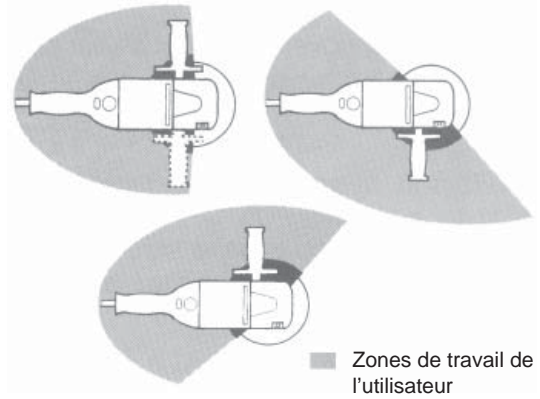


AVERTISSEMENT

Afin de réduire les risques de blessures durant le meulage, TOUJOURS employer le garde-meule approprié et TOUJOURS l'installer correctement.

1. Selon le travail effectué, placez le garde-meule de manière à garantir une protection maximale à l'utilisateur (Fig. 5).

Fig. 5

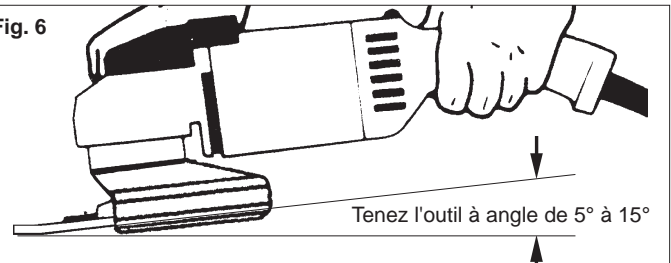


2. Si vous venez tout juste d'installer un disque abrasif ou de commencer le travail, vérifiez la meule en la laissant tourner durant une minute avant de l'appliquer sur le matériau.

N.B. Une meule déstabilisée peut marquer le matériau, causer des dommages à l'outil et imposer une contrainte irrésistible à la meule.

3. Tenez fermement la poignée arrière et la poignée latérale avant de mettre l'outil en marche ou pendant qu'il fonctionne. Laissez la meule atteindre son plein régime avant de commencer le meulage.
4. Pour le meulage, tenez l'outil à un angle de 5° à 15° degrés, tel qu'indiqué, d'assurer une pression constante et un fini uniforme (Fig. 6). Un angle trop grand occasionne une concentration de pression sur de petites surfaces et peut rainurer ou brûler la surface de la pièce à ouvrir.

Fig. 6



5. Contrôlez la pression et le contact du disque avec la pièce. Une trop grande pression pourra ralentir le meulage.

Utilisation des meules à tronçonner de type 27



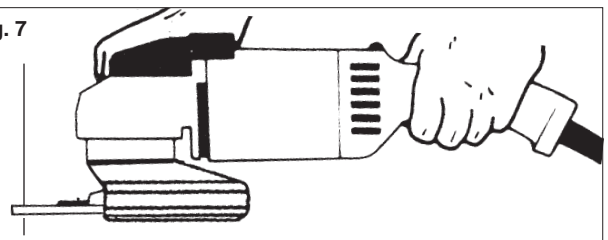
AVERTISSEMENT

Afin d'assurer la protection maximale de l'utilisateur en cas de bris du disque, un garde-meule de type 27 doit être installé lorsqu'un disque à tronçonner de type 27 est utilisé.

Les meules de type 27 renforcées conviennent pour de petits tronçonnages et des encoches seulement.

1. Tenez fermement la poignée arrière et la poignée latérale avant de mettre l'outil en marche ou pendant qu'il fonctionne. Laissez la meule atteindre son plein régime avant de commencer le tronçonnage.
2. Lorsque vous employez une meule à tronçonner, tenez l'outil tel qu'indiqué et n'utilisez que le tranchant de la meule (Fig. 7).

Fig. 7



3. Contrôlez la pression de la meule sur la pièce. Une pression trop forte va ralentir la coupe.

UTILISATION DES BROSSES À FILS D'ACIER

Sélection des brosses à fils d'acier

Les brosses à fils d'acier sont utiles pour enlever rouille, tartre, bavures, scories de soudure etc. Il existe un vaste choix de brosses à fils d'acier pour diverses applications.

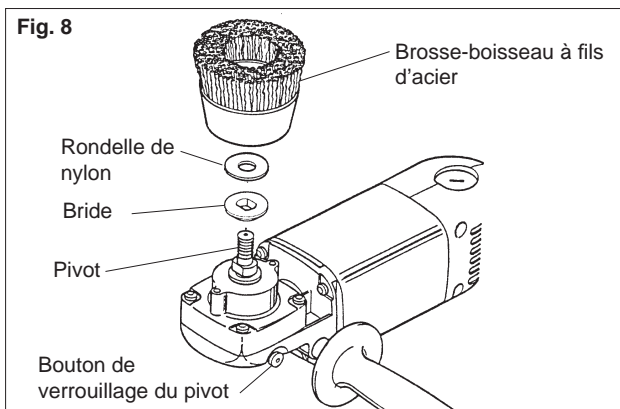


AVERTISSEMENT

Les personnes présentes dans l'aire de travail doivent porter des vêtements de protection, des lunettes à coques latérales ou un masque facial. Les fils d'acier rompus et les rognures de meulage peuvent être éjectés avec force et comporter un risque sérieux de blessures graves.

Installation des brosses-boisseau à fils d'acier

Fig. 8



1. Débranchez l'outil et posez-le sur une surface plane. Retirez les accessoires du pivot.

N.B. N'utilisez jamais un garde-meule avec une brosse-boisseau à fils d'acier.

2. Vissez la rondelle de nylon sur le pivot. Fixez la brosse-boisseau sur le pivot.
3. Appuyez sur le bouton de verrouillage du pivot tandis que vous serrez la brosse à l'aide d'une clé (non fournie avec l'outil).
4. Pour retirer la brosse-boisseau à fils d'acier, débranchez l'outil et inversez la technique.

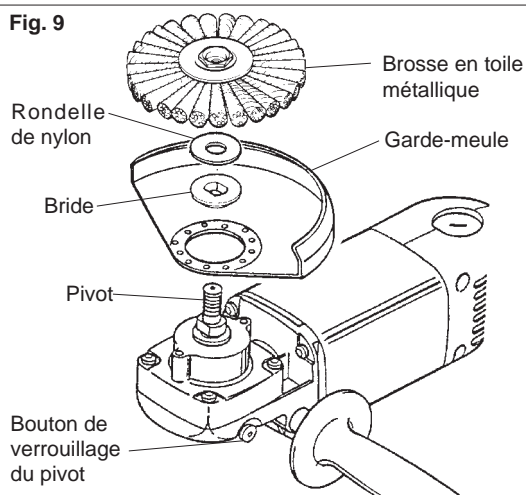
Installation des brosses en toile métallique



AVERTISSEMENT

Les bouts de fil métallique de la brosse en toile métallique convergent vers l'utilisateur. C'est pourquoi il faut installer un garde-meule de type 27 pour se protéger des fils rompus par l'usure qui sont éjectés durant le meulage.

Fig. 9



1. Débranchez l'outil et posez-le sur une surface plane. Retirez les accessoires du pivot.
2. Vissez la rondelle de nylon sur le pivot. Fixez le disque et le garde-meule sur le pivot. Voir Fig. 4 pour installer le garde-meule.
Placez le garde-meule à la position offrant la meilleure maîtrise et la meilleure protection. Pour connaître les zones de travail qui offrent une protection maximale à l'utilisateur, voir « Meulage ».
3. Appuyez sur le bouton de verrouillage du pivot tandis que vous serrez le disque à l'aide d'une clé (non fournie avec l'outil).
4. Pour retirer la brosse en toile métallique, débranchez l'outil et inversez la technique.

Utilisation des brosses à fils d'acier



AVERTISSEMENT

N'excédez pas la vitesse de rotation sécuritaire pour laquelle la brosse à fils d'acier est calibrée. N'utilisez pas une brosse avariée ou une brosse qui ne fonctionne pas normalement (éjection de fils rompus, flottement etc.). Ces conditions augmentent les risques de bris et de blessures pouvant en résulter. Débarrassez-vous des brosses avariées et employez-en de nouvelles.

1. Ne portez pas des vêtements amples lorsque vous vous servez d'une brosse à fils d'acier. Les fils pourraient se prendre dans un vêtement flottant et l'entraîner dans les pièces en mouvement.
2. Tenez fermement la poignée arrière et la poignée latérale avant de mettre l'outil en marche ou pendant qu'il fonctionne. Vérifiez toujours l'équilibre de la brosse à fils d'acier et la présence de fils détachés ou endommagés. Faites tourner la brosse à vide durant au moins une minute avant de l'appliquer au matériau.
3. Lorsque vous appliquez la brosse au matériau, évitez de mettre une trop grande pression qui pourrait aplatir les fils de la brosse, créer de la surchauffe et briser prématurément les fils d'acier, ce qui rendrait la brosse inutilisable à court terme.

Au lieu d'appliquer une grande pression sur une brosse, essayez plutôt une brosse en toile métallique dont l'action est plus mordante ou une brosse à fils plus gros ou plus courts ou d'autres types de brosses telles les brosses à fils noués ou à fils ondulés.

MAINTENANCE



AVERTISSEMENT

Pour minimiser les risques de blessures, débranchez toujours l'outil avant d'y effectuer des travaux de maintenance. Ne faites pas vous-même le démontage de l'outil ni le rebobinage du système électrique. Consultez un centre de service MILWAUKEE accrédité pour toutes les réparations.

Entretien de l'outil

Gardez l'outil en bon état en adoptant un programme d'entretien ponctuel. Avant de vous en servir, examinez son état en général. Inspectez-en la garde, interrupteur, cordon et cordon de rallonge pour en déceler les défauts. Vérifiez le serrage des vis, l'alignement et le jeu des pièces mobiles, les vices de montage, bris de pièces et toute autre condition pouvant en rendre le fonctionnement dangereux. Si un bruit ou une vibration insolite survient, arrêtez immédiatement l'outil et faites-le vérifier avant de vous en servir de nouveau. N'utilisez pas un outil défectueux. Fixez-y une étiquette marquée « HORS D'USAGE » jusqu'à ce qu'il soit réparé (voir « Réparations »).

Normalement, il ne sera pas nécessaire de lubrifier l'outil avant que le temps ne soit venu de remplacer les balais. Après une période pouvant aller de 6 mois à un an, selon l'usage, retournez votre outil à un centre de service MILWAUKEE accrédité pour obtenir les services suivants:

- Lubrification
- Inspection et remplacement des balais
- Inspection et nettoyage de la mécanique (engrenages, pivots, coussinets, boîtier etc.)
- Inspection électrique (interrupteur, cordon, induit etc.)
- Vérification du fonctionnement électromécanique



AVERTISSEMENT

Pour minimiser les risques de blessures, choc électrique et dommage à l'outil, n'immergez jamais l'outil et ne laissez pas de liquide s'y infiltrer.

Nettoyage

Débarrassez les événements des débris et de la poussière. Gardez les poignées de l'outil propres, à sec et exemptes d'huile ou de graisse. Le nettoyage de l'outil doit se faire avec un linge humide et un savon doux. Certains nettoyeurs tels l'essence, la térébenthine, les diluants à laque ou à peinture, les solvants chlorés, l'ammoniac et les détergents d'usage domestique qui en contiennent pourraient détériorer le plastique et l'isolation des pièces. Ne laissez jamais de solvants inflammables ou combustibles auprès des outils.

Réparations

Si votre outil est endommagé, retournez l'outil entier au centre de maintenance le plus proche.

ACCESSOIRES



AVERTISSEMENT

Pour minimiser les risques de blessures, débranchez toujours l'outil avant d'y installer ou d'en enlever les accessoires. L'emploi d'accessoires autres que ceux qui sont expressément recommandés pour cet outil peut présenter des risques.

Pour une liste complète des accessoires, prière de se reporter au catalogue MILWAUKEE Electric Tool ou visiter le site internet www.milwaukeetool.com. Pour obtenir un catalogue, il suffit de contacter votre distributeur local ou l'un des centres-service.

GARANTIE LIMITÉE DE L'OUTIL DE CINQ ANS

Chaque outil électrique MILWAUKEE (y compris le chargeur de batterie) est garanti à l'acheteur d'origine être exempt de vice du matériau et de fabrication. Sous réserve de certaines exceptions, MILWAUKEE réparera ou remplacera toute pièce d'un outil électrique qui, après examen, sera avéré par MILWAUKEE être affecté d'un vice du matériau ou de fabrication pendant une période de cinq (5) ans* après la date d'achat. Le retour de l'outil électrique, accompagné d'une copie de la preuve d'achat à un site d'entretien d'usine/de promotion des ventes de MILWAUKEE ou à un poste d'entretien agréé MILWAUKEE, en port prépayé et assuré, est requis pour que cette garantie s'applique. Cette garantie ne couvre pas les dommages que MILWAUKEE détermine être causés par des réparations ou des tentatives de réparation par quiconque autre que le personnel agréé par MILWAUKEE, des utilisations incorrectes, des altérations, des utilisations abusives, une usure normale, une carence d'entretien ou les accidents.

* La période de garantie pour les palans (palans à levier, à chaîne manuelle et à chaîne électrique), tous les blocs de batteries au NiCd, les projecteurs de travail (lampes torches sans fil), les radios de chantier et les chariots de travail industriels Trade Titan™ est d'un (1) an à partir de la date d'achat.

* La période de garantie pour les blocs de batteries au lithium-ion qui ne sont pas équipés de la technologie V™ (entre 4 et 18 volts) est de deux (2) ans à partir de la date d'achat.

* Il existe une garantie séparée pour les blocs de batteries au lithium-ion avec technologie V™ de 18 volts et plus qui accompagnent les outils électriques sans fil de technologie V™ :

* Chaque batterie au lithium-ion 18 volts ou plus de technologie MILWAUKEE V™ est couverte par une garantie de remplacement gratuit initial pour 1 000 charges/2 ans. Ceci signifie qu'avant les 1 000 premières charges ou deux (2) années suivant la date d'achat/la première charge, une batterie de rechange sera fournie gratuitement au client pour toute batterie défectueuse. Par la suite, les clients recevront aussi une garantie supplémentaire calculée au prorata dans la limite de 2 000 charges ou cinq (5) années suivant la date d'achat/la première charge, à la première échéance. Ceci signifie que chaque client obtient une garantie au prorata supplémentaire de 1 000 charges ou de trois (3) années sur les batteries au lithium-ion 18 volts ou plus de technologie V™ en fonction de l'utilisation. Pendant cette période de garantie supplémentaire, le client ne paye que pour le service utilisable reçu au-delà des 1 000 premières charges/2 premières années, en fonction de la date de la première charge et du nombre de charges des batteries déterminés par le lecteur de service MILWAUKEE de technologie V™.

L'enregistrement de la garantie n'est pas nécessaire pour bénéficier de la garantie en vigueur sur un produit MILWAUKEE. Une preuve d'achat sous la forme d'un reçu de vente ou d'autres informations considérées suffisantes par MILWAUKEE est cependant requise. La date de fabrication du produit servira à établir la période de garantie si aucune preuve d'achat n'est fournie lorsqu'une demande de service sous garantie est faite.

L'ACCEPTATION DES RECOURS EXCLUSIFS DE RÉPARATION ET DE REMPLACEMENT DÉCRITS PAR LES PRÉSENTES EST UNE CONDITION DU CONTRAT D'ACHAT DE TOUT PRODUIT MILWAUKEE. SI VOUS N'ACCEPTÉZ PAS CETTE CONDITION, VOUS NE DEVEZ PAS ACHETER LE PRODUIT. EN AUCUN CAS MILWAUKEE NE SAURAIT ÊTRE RESPONSABLE DE TOUT DOMMAGE ACCESSOIRE, SPÉCIAL OU INDIRECT, DE DOMMAGES-INTÉRÊTS PUNITIFS OU DE TOUTE DÉPENSE, D'HONORAIRES D'AVOCATS, DE FRAIS, DE PERTE OU DE DÉLAIS ACCESSOIRES À TOUT DOMMAGE, DÉFAILLANCE OU DÉFAUT DE TOUT PRODUIT, Y COMPRIS NOTAMMENT LES PERTES DE PROFIT. CETTE GARANTIE EST EXCLUSIVE ET REMPLACE TOUTE AUTRE GARANTIE OU CONDITION, ÉCRITE OU VERBALE, EXPRESSE OU IMPLICITE, SANS LIMITER LA GÉNÉRALITÉ DES DISPOSITIONS PRÉCÉDENTES, MILWAUKEE DÉCLINE TOUTE GARANTIE IMPLICITE DE QUALITÉ MARCHANDE OU D'ADAPTATION À UNE UTILISATION OU À UNE FIN PARTICULIÈRE ET TOUTE AUTRE GARANTIE.

Cette garantie s'applique aux produits vendus aux États-Unis, au Canada et au Mexique uniquement.

ADVERTENCIAS DE SEGURIDAD GENERALES PARA LA HERRAMIENTA ELÉCTRICA



ADVERTENCIA

LEA TODAS LAS ADVERTENCIAS E INSTRUCCIONES DE SEGURIDAD.

Si no sigue todas las advertencias e instrucciones, se pueden provocar una descarga eléctrica, un incendio o lesiones graves.

Guarde todas las advertencias e instrucciones para consultarlas en el futuro.

El término "herramienta eléctrica" en todas las advertencias incluidas más abajo se refiere a su herramienta operada por conexión (cable) a la red eléctrica o por medio de una batería (inalámbrica).

SEGURIDAD EN EL ÁREA DE TRABAJO

- **Mantenga limpia y bien iluminada el área de trabajo.** Las áreas desordenadas u oscuras contribuyen a que se produzcan accidentes.
- **No utilice herramientas eléctricas en atmósferas explosivas, como en la presencia de líquidos, gases o polvo inflamables.** Las herramientas eléctricas crean chispas que pueden incendiar el polvo o las emanaciones.
- **Mantenga a los niños y otras personas alejadas mientras utiliza una herramienta eléctrica.** Las distracciones pueden hacerle perder el control.

SEGURIDAD ELÉCTRICA

- **Los enchufes de las herramientas eléctricas deben ser del mismo tipo que el tomacorrientes.** Nunca realice ningún tipo de modificación en el enchufe. **No use enchufes adaptadores con herramientas eléctricas con conexión a tierra.** Se reducirá el riesgo de descarga eléctrica si no se modifican los enchufes y los tomacorrientes son del mismo tipo.
- **Evite el contacto corporal con superficies con conexión a tierra, como tuberías, radiadores, estufas y refrigeradores.** El riesgo de descarga eléctrica aumenta si su cuerpo está conectado a tierra.
- **No exponga la herramientas eléctricas a la lluvia o a condiciones de humedad.** El agua que entra en una herramienta eléctrica aumenta el riesgo de descarga eléctrica.
- **No abuse del cable.** Nunca use el cable para transportar la herramienta eléctrica, tirar de ella o desenchufarla. Mantenga el cable alejado del calor, los bordes afilados o las piezas en movimiento. Los cables dañados o enmarañados aumentan el riesgo de descarga eléctrica.
- **Cuando se utiliza una herramienta eléctrica en el exterior, use una extensión que sea apropiada para uso en el exterior.** El uso de un cable apropiado para el exterior reduce el riesgo de descarga eléctrica.
- **Si debe operar una herramienta eléctrica en un lugar húmedo, utilice un suministro protegido por un dispositivo de corriente residual (RCD).** Usar un RCD reduce el riesgo de que se produzcan descargas eléctricas.

SEGURIDAD PERSONAL

- **Manténgase alerta, ponga cuidado a lo que está haciendo y use el sentido común cuando utilice una herramienta eléctrica.** No use una herramienta eléctrica cuando está cansado o bajo la influencia de drogas, alcohol o medicinas. Despijarse un minuto cuando se utiliza una herramienta eléctrica puede tener como resultado lesiones personales graves.
- **Use un equipo de protección personal.** Lleve siempre protección ocular. Llevar un equipo de protección apropiado para la situación, como una máscara antipolvo, zapatos de seguridad antideslizantes, un casco o protección auditiva, reducirá las lesiones personales.
- **Evite el encendido accidental.** Asegúrese de que el interruptor esté en la posición de apagado antes de conectarlo a la toma de alimentación o a la batería, al levantar o mover la herramienta. Mover herramientas con el dedo en el interruptor o enchufarlas con el interruptor en la posición de encendido contribuye a que se produzcan accidentes.
- **Quite todas las llaves de ajuste antes de encender la herramienta.** Una llave que esté acoplada a una pieza giratoria de la herramienta puede provocar lesiones personales.
- **No se estire demasiado.** Mantenga los pies bien asentados y el equilibrio en todo momento. Esto permite tener mejor control de la herramienta eléctrica en situaciones inesperadas.
- **Vístase de manera apropiada.** No lleve ropa suelta ni joyas. Mantenga el cabello, la ropa y los guantes lejos de las piezas en movimiento. La ropa floja, las joyas o el cabello largo pueden quedar atrapados en las piezas en movimiento.

page 22

- **Si se proporcionan dispositivos para la conexión de sistemas de recolección y extracción de polvo, asegúrese de que estén conectados y se usen apropiadamente.** El uso de estos dispositivos puede reducir los peligros relacionados con el polvo.

USO Y CUIDADO DE LAS HERRAMIENTAS ELÉCTRICAS

- **No fuerce la herramienta eléctrica.** Use la herramienta eléctrica correcta para la aplicación. La herramienta eléctrica correcta funcionará mejor y de manera más segura a la velocidad para la que se diseñó.
- **No use la herramienta eléctrica si el interruptor no la enciende ni la apaga.** Cualquier herramienta eléctrica que no se pueda controlar con el interruptor es peligrosa y se debe reparar.
- **Desconecte el enchufe de la toma de alimentación y/o la batería de la herramienta eléctrica antes de realizar cualquier ajuste, cambiar accesorios o almacenar las herramientas eléctricas.** Dichas medidas preventivas de seguridad reducen el riesgo de que la herramienta se prenda accidentalmente.
- **Almacene las herramientas eléctricas fuera del alcance de los niños y no permita que personas no familiarizadas con ellas o estas instrucciones las utilicen.** Las herramientas eléctricas son peligrosas en las manos de usuarios no capacitados.
- **Mantenimiento de las herramientas eléctricas.** Revise que no haya piezas móviles que estén desalineadas o que se atasquen, piezas rotas ni ninguna otra condición que pueda afectar el funcionamiento de la herramienta eléctrica. Si se encuentran daños, haga que le reparen la herramienta antes de usarla. Las herramientas mal mantenidas son la causa de muchos accidentes.
- **Mantenga las herramientas de corte limpias y afiladas.** Es menos probable que se atasquen las herramientas de corte con filos afilados que se mantienen de manera apropiada y también son más fáciles de controlar.
- **Use la herramienta eléctrica, los accesorios, las brocas, etc. siguiendo estas instrucciones, teniendo en cuenta las condiciones de trabajo y la tarea que se va a realizar.** El uso de la herramienta eléctrica para operaciones diferentes de aquellas para las que se diseñó podría originar una situación peligrosa.

MANTENIMIENTO

- **Haga que un técnico calificado realice el mantenimiento de la herramienta eléctrica utilizando solamente piezas de repuesto idénticas.** Esto asegurará que se mantiene la seguridad de la herramienta eléctrica.

REGLAS ESPECÍFICAS DE SEGURIDAD

Advertencias de seguridad frecuentes para el esmerilado, lijado, las operaciones con cepillo de alambre o de corte abrasivo:

- **Esta herramienta eléctrica está diseñada para funcionar como una amoladora, una lijadora, un cepillo de alambre o una herramienta de corte.** Consulte todas las advertencias de seguridad, ilustraciones y especificaciones suministradas con esta herramienta eléctrica. Si no sigue todas las instrucciones a continuación, se pueden provocar una descarga eléctrica, un incendio o lesiones graves.
- **No se recomienda realizar ciertas operaciones con esta herramienta eléctrica, como un pulidor.** Realizar operaciones para las cuales esta herramienta no fue diseñada puede representar un peligro y producir lesiones.
- **No use accesorios que no estén específicamente diseñados y recomendados por el fabricante de la herramienta.** Simplemente porque el accesorio puede fijarse a su herramienta eléctrica, no significa que se garantice que su manejo sea seguro.

- **La velocidad nominal del accesorio debe ser, por lo menos, igual a la velocidad máxima marcada en la herramienta eléctrica.** Los accesorios que funcionan a una velocidad mayor que la de su velocidad nominal, pueden romperse y salir lanzados.
- **El diámetro exterior y el espesor de su accesorio deben encontrarse dentro de la capacidad nominal de su herramienta.** Los accesorios de tamaño incorrecto no se pueden proteger ni controlar adecuadamente.
- **El diámetro del árbol de los discos, de las bridas, de las almohadillas de respaldo o de cualquier otro accesorio debe adaptarse correctamente al husillo de la herramienta eléctrica.** Los accesorios con orificios para árbol que no coinciden con las piezas de montaje de la herramienta eléctrica se desequilibran, vibran en exceso y pueden causar la pérdida del control.
- **No use ningún accesorio dañado.** Antes de cada uso, inspeccione los accesorios, por ejemplo, el disco abrasivo, para detectar desportilladuras y grietas; la almohadilla de respaldo para identificar grietas, desgaste o maltrato excesivo o el cepillo de alambre para detectar alambres sueltos o partidos. Si la herramienta eléctrica o el accesorio se caen, inspecciónelos para ver si están dañados o instale un accesorio que no esté dañado. Después de inspeccionar e instalar un accesorio, manténgase alejado y mantenga alejadas a las personas presentes del plano del accesorio rotatorio y haga funcionar la herramienta eléctrica a máxima velocidad en vacío durante un minuto. Por lo general, los accesorios dañados se rompen en este tiempo de prueba.
- **Póngase equipo de protección personal.** Según la aplicación, use una careta protectora completa, gafas protectoras o anteojos de seguridad. Según corresponda, póngase una máscara antipolvo, protección auditiva, guantes y mandil para taller que puedan detener pequeños fragmentos abrasivos o trozos de la pieza de trabajo. La protección ocular debe ser capaz de detener desechos lanzados por la herramienta que se hayan generado por los distintos usos. La máscara antipolvo o el respirador deben ser capaces de filtrar las partículas que se generen durante el funcionamiento. La exposición prolongada a ruidos de alta intensidad puede producir pérdida auditiva.
- **Mantenga alejadas del área de trabajo a las personas presentes.** Cualquier persona que ingrese en el área de trabajo debe ponerse el equipo de protección personal. Los fragmentos de la pieza de trabajo o de un accesorio roto pueden salir lanzados y provocar lesiones más allá del área inmediata de operación.
- **Sujete la herramienta eléctrica únicamente por las superficies aisladas de sujeción al efectuar una operación en la cual el accesorio de corte pueda entrar en contacto con cableado oculto o con su propio cable.** Es posible que todo contacto de un accesorio de corte con un cable cargado cargue las piezas metálicas expuestas de la herramienta eléctrica y dé una descarga eléctrica al operador.
- **Coloque el cable alejado del accesorio en movimiento.** Si pierde el control, es posible que el cable se corte o se atore, y su mano o brazo pueden ser arrastrados hacia el accesorio en movimiento.
- **Nunca coloque la herramienta eléctrica sobre una superficie hasta que el accesorio se haya detenido por completo.** El accesorio en movimiento puede engancharse en la superficie y arrancar la herramienta eléctrica fuera de su control.
- **No haga funcionar la herramienta eléctrica mientras el operador la transporte junto al cuerpo.** Si el accesorio en movimiento toca accidentalmente la ropa, puede atorarse y engancharse en el cuerpo.
- **Limpie con regularidad las rejillas de ventilación de la herramienta eléctrica.** El ventilador del motor atrae el polvo dentro del alojamiento, y la acumulación excesiva de polvillo de metal puede provocar riesgos eléctricos.
- **No use la herramienta eléctrica cerca de materiales inflamables.** Las chispas pueden encender estos materiales.
- **No use accesorios que requieran refrigerantes líquidos.** El uso de agua u otros refrigerantes líquidos puede causar electrocución o descarga eléctrica.

CONTRAGOLPE Y ADVERTENCIAS RELACIONADAS

El contragolpe es una reacción súbita a un disco en movimiento, almohadilla de respaldo, cepillo o cualquier otro accesorio pellizcado o atorado. El pellizcamiento o atoramiento hacen que el accesorio rotatorio se detenga repentinamente; esto, a la vez, hace que la herramienta eléctrica fuera de control sea despedida en dirección opuesta a la rotación del accesorio en el punto del atoramiento.

Por ejemplo, si un disco abrasivo se pellizca o atora en la pieza de trabajo, el borde del disco que entra en el punto de pellizcamiento puede penetrar en

la superficie del material haciendo que el disco se salga o dé un contragolpe. Es posible que el disco salte hacia el operador o en dirección opuesta a él, según la dirección del movimiento del disco en el punto de pellizcamiento. Los discos abrasivos también se pueden romper en estas condiciones.

El contragolpe es el resultado del uso incorrecto de la herramienta eléctrica y/o de procedimientos o condiciones de trabajo incorrectas, y puede evitarse tomando las medidas de precaución adecuadas, como las señaladas abajo.

- **Mantenga una sujeción firme de la herramienta eléctrica, y coloque el cuerpo y el brazo de manera que le permitan resistir las fuerzas de un contragolpe. Siempre que sea proporcionado, use el mango auxiliar para tener el máximo control sobre el contragolpe o la reacción del par de torsión durante el arranque.** El operador puede controlar las reacciones del par de torsión o las fuerzas del contragolpe, si toma las medidas de precaución adecuadas.
- **Nunca coloque la mano cerca del accesorio rotatorio.** Es posible que se produzca un contragolpe del accesorio rotatorio sobre la mano.
- **No coloque el cuerpo en el área adonde se moverá la herramienta eléctrica si se produce un contragolpe.** El contragolpe impulsará la herramienta en la dirección opuesta al movimiento del disco en el punto de atoramiento.
- **Preste especial atención cuando trabaje en esquinas, bordes afilados, etc. Evite que el accesorio rebote o se atore.** Las esquinas, los bordes afilados o la acción de rebote tienden a hacer que el accesorio rotatorio se atore y provocan la pérdida del control o el contragolpe.
- **No use una hoja de tallar madera para cadena de la sierra ni una hoja dentada para sierra.** Dichas hojas suelen crear con frecuencia contragolpes y la consiguiente pérdida del control.

Advertencias de seguridad específicas para Operaciones de esmerilado y corte abrasivo:

- **Use solamente tipos de discos recomendados para su herramienta eléctrica y la protección específica diseñada para el disco seleccionado.** Los discos para los que no ha sido diseñada la herramienta eléctrica no se pueden proteger correctamente y no son seguros.
- **La protección debe fijarse firmemente a la herramienta eléctrica y colocarse para brindar la máxima seguridad posible, de manera que quede la menor cantidad de disco expuesta en dirección al operador.** La protección ayuda a resguardar al operador de los fragmentos de disco roto y del contacto accidental con el disco.
- **Los discos se deben emplear solamente para los usos recomendados. Por ejemplo: no esmerile con el costado de un disco de trocear.** Los discos de trocear abrasivos están diseñados para el esmerilado periférico, y si se aplican fuerzas laterales a estos discos, pueden romperse.
- **Use siempre bridas de discos que no estén dañadas y que sean del tamaño y forma correctos para el disco seleccionado.** Las bridas de discos adecuadas sostienen el disco reduciendo, de esa manera, la posibilidad de que se rompa. Es posible que las bridas para los discos de trocear sean diferentes de las bridas para las muelas abrasivas.
- **No use discos desgastados de herramientas eléctricas más grandes.** Los discos diseñados para herramientas eléctricas más grandes no son adecuados para las velocidades más elevadas de las herramientas más pequeñas y es posible que estallen.

Advertencias de seguridad específicas para Operaciones de corte abrasivo:

- **Evite trabar el disco de trocear y aplicar demasiada presión sobre éste. No intente realizar un corte excesivamente profundo.** Al forzar demasiado el disco, aumentan la carga y la posibilidad de que éste se doble o se agarrote durante el corte. También es más probable que se produzcan rebotes o rupturas del disco.
- **Retírese de la línea de corte del disco en movimiento y no se coloque detrás de ésta.** A medida que el disco en funcionamiento se aleja de su cuerpo, un posible rebote podría hacer que el disco en movimiento y la herramienta eléctrica sean lanzados hacia usted.
- **Cuando el disco se agarrota o cuando se interrumpe el corte por cualquier motivo, debe apagar la herramienta eléctrica y mantenerla inmóvil hasta que el disco se detenga por completo. Nunca intente quitar el disco de trocear del corte mientras éste se encuentra en movimiento: si lo hace, puede producirse un rebote.** Investigue y tome las acciones correctivas pertinentes para eliminar la causa del agarrotamiento del disco.

- **No reinicie la operación de corte en la pieza de trabajo. Permita que el disco alcance la máxima velocidad y vuelva a introducirlo en el corte cuidadosamente.** El disco puede agarrarse, moverse hacia atrás o rebotar si la herramienta eléctrica se vuelve a encender en la pieza de trabajo.
- **Sujete los paneles o cualquier pieza de trabajo demasiado grande para minimizar el riesgo de atoramiento y rebote del disco.** Las piezas de trabajo grandes tienden a pandearse bajo su propio peso. Se deben colocar soportes debajo de la pieza de trabajo, cerca de la línea de corte y cerca del borde de la pieza de trabajo a ambos lados del disco.
- **Sea extremadamente cuidadoso cuando realice un "corte por penetración" en paredes u otras áreas ciegas.** El disco que sobresale podría cortar tuberías de gas o agua, cables eléctricos u objetos que pueden provocar un rebote.

Advertencias de seguridad específicas para Operaciones de lijado:

- **No use discos de papel de lija excesivamente grandes. Siga las recomendaciones del fabricante cuando seleccione el papel de lija.** El papel de lija más grande que sobresale de la almohadilla de lijado presenta un riesgo de laceraciones y puede causar atoramientos, desgarramiento del disco o contragolpe.

Advertencias de seguridad específicas para Operaciones con cepillo de alambre:

- **Sea consciente de que el cepillo arroja cerdas de alambre incluso durante el funcionamiento normal. No fuerce demasiado las cerdas de alambre al aplicar una carga excesiva sobre el cepillo.** Las cerdas pueden penetrar fácilmente las prendas finas y la piel.
- **Si se recomienda la utilización de una protección para las operaciones con cepillo de alambre, evite que se introduzcan elementos entre el disco o cepillo de alambre y la protección.** Es probable que el disco o cepillo aumente de diámetro debido a la carga de trabajo y las fuerzas centrífugas.

Advertencias de seguridad adicionales

- **Mantenga las etiquetas y las placas identificativas.** Tienen información importante. Si no se pueden leer o si faltan, póngase en contacto con un centro de servicio **MILWAUKEE** para obtener un repuesto gratuito.
- **ADVERTENCIA :** Algunas partículas de polvo resultantes del lijado mecánico, aserrado, esmerilado, taladrado y otras actividades relacionadas a la construcción, contienen sustancias químicas que se saben ocasionan cáncer, defectos congénitos u otros daños al aparato reproductivo. A continuación se citan algunos ejemplos de tales sustancias químicas:
 - plomo proveniente de pinturas con base de plomo
 - sílice cristalino proveniente de ladrillos, cemento y otros productos de albañilería y
 - arsénico y cromo provenientes de madera químicamente tratada.

El riesgo que usted sufre debido a la exposición varía dependiendo de la frecuencia con la que usted realiza estas tareas. Para reducir la exposición a estas sustancias químicas: trabaje en un área bien ventilada, y utilice equipo de seguridad aprobado como, por ejemplo, máscaras contra el polvo que hayan sido específicamente diseñadas para filtrar partículas microscópicas.

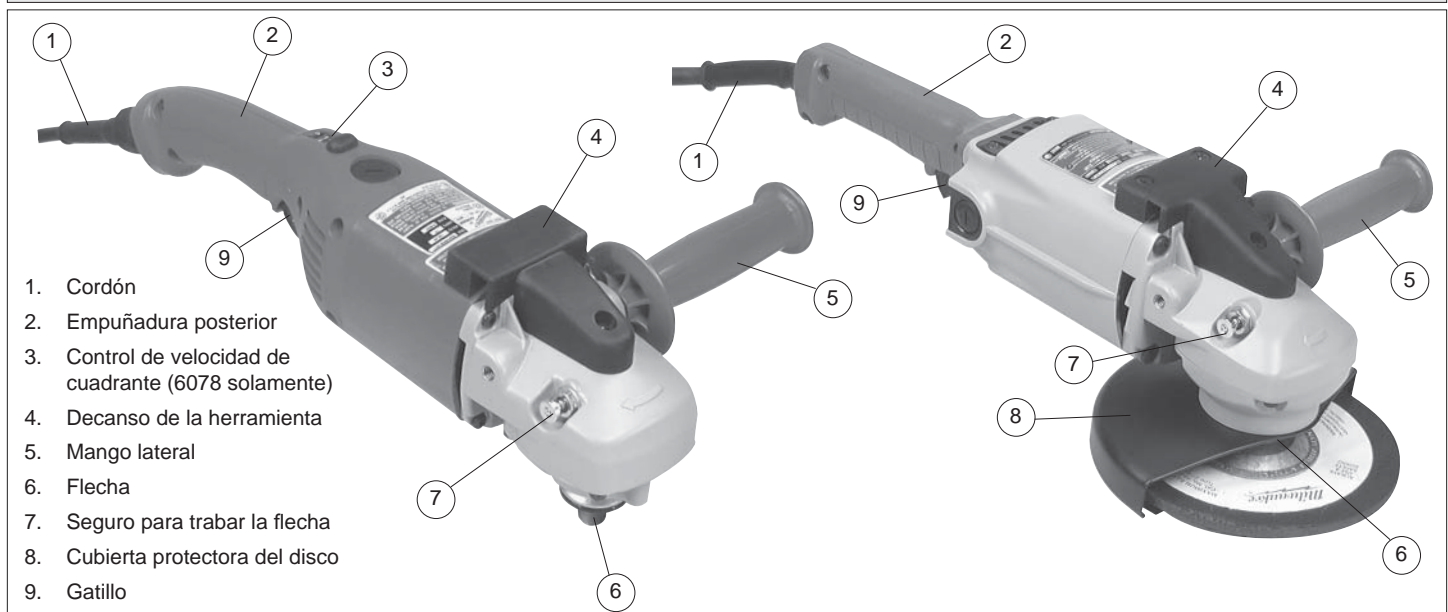
Especificaciones

Cat. No.	Volts	A	rpm	Tamaño de Flecha	Tamaño del Disco
6065	120 ca/cd	15	5 000	5/8"-11	178/229 mm (7"/9")
6065-6	120 ca/cd	15	5 000	5/8"-11	178/229 mm (7"/9")
6066	120 ca/cd	15	6 000	5/8"-11	178/229 mm (7"/9")
6066-6	120 ca/cd	15	6 000	5/8"-11	178/229 mm (7"/9")
6072	120 ca/cd	13	5 000	5/8"-11	178/229 mm (7"/9")
6078	120 ca	13	0 - 6 000	5/8"-11	178/229 mm (7"/9")

Simbología

	Con doble aislamiento
	Underwriters Laboratories, Inc., Estados Unidos y Canadá
	Volts de corriente directa o alterna
	Volts de corriente alterna
$n_0 \text{ XXXX min.}^{-1}$	Revoluciones por minuto sin carga (rpm)
	Amperios
	Los Estándares Mexicanos de la Seguridad

DESCRIPCION FUNCIONAL



1. Cordón
2. Empuñadura posterior
3. Control de velocidad de cuadrante (6078 solamente)
4. Decancho de la herramienta
5. Mango lateral
6. Flecha
7. Seguro para trabar la flecha
8. Cubierta protectora del disco
9. Gatillo

TIERRA



ADVERTENCIA

Puede haber riesgo de descarga eléctrica si se conecta el cable de conexión de puesta a tierra incorrectamente. Consulte con un electricista certificado si tiene dudas respecto a la conexión de puesta a tierra del tomacorriente. No modifique el enchufe que se proporciona con la herramienta. Nunca retire la clavija de conexión de puesta a tierra del enchufe. No use la herramienta si el cable o el enchufe está dañado. Si está dañado antes de usarlo, llévelo a un centro de servicio **MILWAUKEE** para que lo reparen. Si el enchufe no se acopla al tomacorriente, haga que un electricista certificado instale un tomacorriente adecuado.

Herramientas con conexión a tierra:

Herramientas con enchufes de tres clavijas

Las herramientas marcadas con la frase "Se requiere conexión de puesta a tierra" tienen un cable de tres hilos y enchufes de conexión de puesta a tierra de tres clavijas. El enchufe debe conectarse a un tomacorriente debidamente conectado a tierra (véase la Figura A). Si la herramienta se averiara o no funcionara correctamente, la conexión de puesta a tierra proporciona un trayecto de baja resistencia para desviar la corriente eléctrica de la trayectoria del usuario, reduciendo de este modo el riesgo de descarga eléctrica.

La clavija de conexión de puesta a tierra en el enchufe está conectada al sistema de conexión de puesta a tierra de la herramienta a través del hilo verde dentro del cable. El hilo verde debe ser el único hilo conectado al sistema de conexión de puesta a tierra de la herramienta y nunca se debe unir a una terminal energizada.

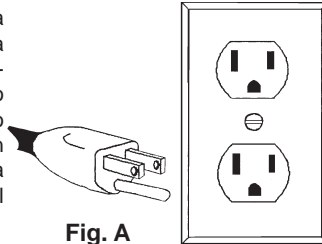


Fig. A

Herramientas con doble aislamiento:

Herramientas con clavijas de dos patas

Las herramientas marcadas con "Doble aislamiento" no requieren conectarse "a tierra". Estas herramientas tienen un sistema aislante que satisface los estándares de OSHA y llena los estándares aplicables de UL (Underwriters Laboratories, Inc.), de la Asociación Canadiense de Estándares (CSA) y el Código Nacional de Electricidad. Las herramientas con doble aislamiento pueden ser usadas en cualquiera de los toma corriente de 120 Volt mostrados en las Figuras B y C.

Su herramienta debe estar enchufada en un tomacorriente apropiado, correctamente instalado y conectado a tierra según todos los códigos y reglamentos. El enchufe y el tomacorriente deben asemejarse a los de la Figura A.

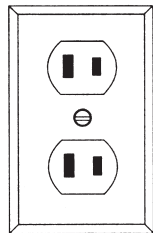


Fig. B

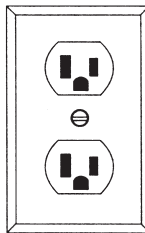


Fig. C

EXTENSIONES ELÉCTRICAS

Las herramientas que deben conectarse a tierra cuentan con clavijas de tres patas y requieren que las extensiones que se utilicen con ellas sean también de tres cables. Las herramientas con doble aislamiento y clavijas de dos patas pueden utilizarse indistintamente con extensiones de dos a tres cables. El calibre de la extensión depende de la distancia que exista entre la toma de la corriente y el sitio donde se utilice la herramienta. El uso de extensiones inadecuadas puede causar serias caídas en el voltaje, resultando en pérdida de potencia y posible daño a la herramienta. La tabla que aquí se ilustra sirve de guía para la adecuada selección de la extensión.

Mientras menor sea el número del calibre del cable, mayor será la capacidad del mismo. Por ejemplo, un cable calibre 14 puede transportar una corriente mayor que un cable calibre 16. Cuando use mas de una extensión para lograr el largo deseado, asegúrese que cada una tenga al menos, el mínimo tamaño de cable requerido. Si está usando un cable de extensión para mas de una herramienta, sume los amperes de las varias placas y use la suma para determinar el tamaño mínimo del cable de extensión.

Guías para el uso de cables de extensión

- Si está usando un cable de extensión en sitios al aire libre, asegúrese que está marcado con el sufijo "W-A" ("W" en Canadá) el cual indica que puede ser usado al aire libre.
- Asegúrese que su cable de extensión está correctamente cableado y en buenas condiciones eléctricas. Cambie siempre una extensión dañada o hágala reparar por una persona calificada antes de volver a usarla.
- Proteja su extensión eléctrica de objetos cortantes, calor excesivo o areas mojadas.

Calibre mínimo recomendado para cables de extensiones eléctricas*

Amperios (En la placa)	Largo de cable de Extensión en (m)					
	7,6	15,2	22,8	30,4	45,7	60,9
0 - 5,0	16	16	16	14	12	12
5,1 - 8,0	16	16	14	12	10	--
8,1 - 12,0	14	14	12	10	--	--
12,1 - 15,0	12	12	10	10	--	--
15,1 - 20,0	10	10	10	--	--	--

* Basado en limitar la caída en el voltaje a 5 volts al 150% de los amperios.

LEA Y GUARDE TODAS LAS INSTRUCCIONES PARA FUTURAS REFERENCIAS.

ENSAMBAJE DE LA HERRAMIENTA



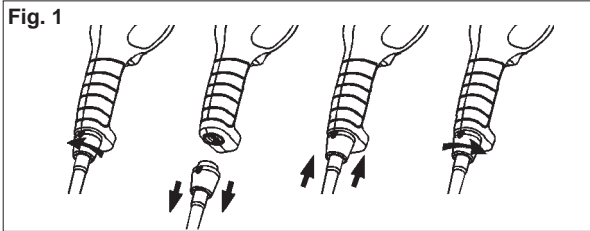
ADVERTENCIA

Para reducir el riesgo de lesiones, desconecte siempre la herramienta antes de fijar o retirar accesorios, o antes de efectuar ajustes. Utilice sólo los accesorios específicamente recomendados. El uso de otros accesorios puede ser peligroso.

Montaje y desmontaje del cable de cambio rápido Quik-Lok II® Modelos seleccionados

Para realizar el cambio o sustitución en forma inmediata en el área de trabajo, MILWAUKEE cuenta con los exclusivos cables Quik-Lok®.

Fig. 1



1. Para desmontar el cable Quik-Lok®, gire la tuerca del cable 1/4 de vuelta hacia la izquierda y tire del cable hacia afuera.
2. Para montar el cable Quik-Lok®, alinee las marcas en el conector y presione el conector hacia adentro tanto como pueda. Luego gire la tuerca del cable 1/4 de vuelta hacia la derecha para fijarlo.

Instalación del mango lateral

El mango lateral puede colocarse encima de la caja de engranes o en cualquiera de los lados de la caja de engranes para uso con la mano izquierda o derecha. Coloque el mango en la ubicación que le ofrezca el mejor control y protección de cubierta. Para informarse sobre las zonas de operación que proporcionan la máxima protección para el operador, vea "Esmerilado". Para montarlo, enrosque el mango lateral en la entrada para el mango lateral en el lado deseado de la caja de engranes y apriételo firmemente.

Instalación, ajuste y remoción de la cubierta protectora (Modelos seleccionados)



ADVERTENCIA

Para reducir el riesgo de lesiones al esmerilar, utilice SIEMPRE la cubierta protectora adecuada. SIEMPRE instale la cubierta protectora de manera correcta.

Se debe usar la cubierta protectora cuando se utiliza la herramienta como esmeriladora. La cubierta protectora se debe retirar cuando se utiliza la herramienta como lijadora.

1. Para instalar la cubierta protectora, desenchufe la herramienta y colóquela boca abajo sobre una superficie nivelada. Retire cualquier accesorio de la flecha.
2. Coloque la guarda para el disco abrasivo sobre la flecha. Coloque la cubierta protectora en la ubicación que le ofrezca el mejor control y resguardo. Para informarse sobre las zonas de operación que proporcionan la máxima protección para el operador. Vea "Esmerilado".
3. Apriétela a la mitad inferior de la caja de engranes, con los tornillos y roldanas de seguridad que se suministran.

OPERACION



ADVERTENCIA

Para reducir el riesgo de lesiones, use siempre lentes de seguridad o anteojos con protectores laterales. Desconecte la herramienta antes de cambiar algún accesorio o de hacerle algún ajuste.

Encendido y paro del motor

1. Para **encender** la herramienta, tire del gatillo.
2. Para **detener** la herramienta, suelte el gatillo.



ADVERTENCIA

Para reducir el riesgo de daños a la herramienta, no utilice el seguro de enganche de la flecha a modo de detener la flecha mientras la herramienta se encuentra en uso o marcha por inercia después de haber sido apagada.

Bloqueo del gatillo (Modelos seleccionados)

El seguro de enganche mantiene el gatillo en la posición ON (encendido) para uso continuo.

1. Para **bloquear** el gatillo, apriete el seguro de enganche mientras tira del gatillo. Suelte el gatillo.
2. Para **desbloquear** el gatillo, tire del gatillo y suéltelo. El seguro de enganche saltará.

Uso del Control de Velocidad de Cuadrante (Cat. No. 6078 sol.)

El Catálogo No. 6078 incluye un control de velocidad de cuadrante y un interruptor de accionamiento de velocidad variable. Puede preajustarse la velocidad máxima mediante el cuadrante de control de velocidad, y variarse la velocidad mediante el interruptor de accionamiento. Los ajustes del cuadrante de control de velocidad oscilan entre el 1 al 5. Los números más bajos corresponden a las velocidades más bajas y los números más altos

page 26

corresponden a las velocidades más altas. Utilice el ajuste más adecuado para el trabajo.

Para controlar la velocidad, ajuste el cuadrante al número deseado. Luego, oprima el gatillo. Aumente o disminuya la presión en el gatillo para variar la velocidad. Para detener la herramienta, suelte el gatillo.

Selección del disco abrasivo y la rueda abrasiva



ADVERTENCIA

Para reducir el riesgo de lesiones personales y daño a la herramienta, utilice SOLAMENTE accesorios con capacidad nominal igual o superior a los RPM listados en la sección "ADVERTENCIA" en la placa de la herramienta.

Use discos abrasivos y ruedas abrasivas que sean:

- del tamaño correcto según se indica en la placa de la herramienta
- el tipo de disco y grano adecuado para el trabajo a realizar
- de capacidad nominal igual o superior a los RPM listados en la sección "ADVERTENCIA" en la placa de la herramienta

Use respaldos, adaptadores y otros accesorios que sean:

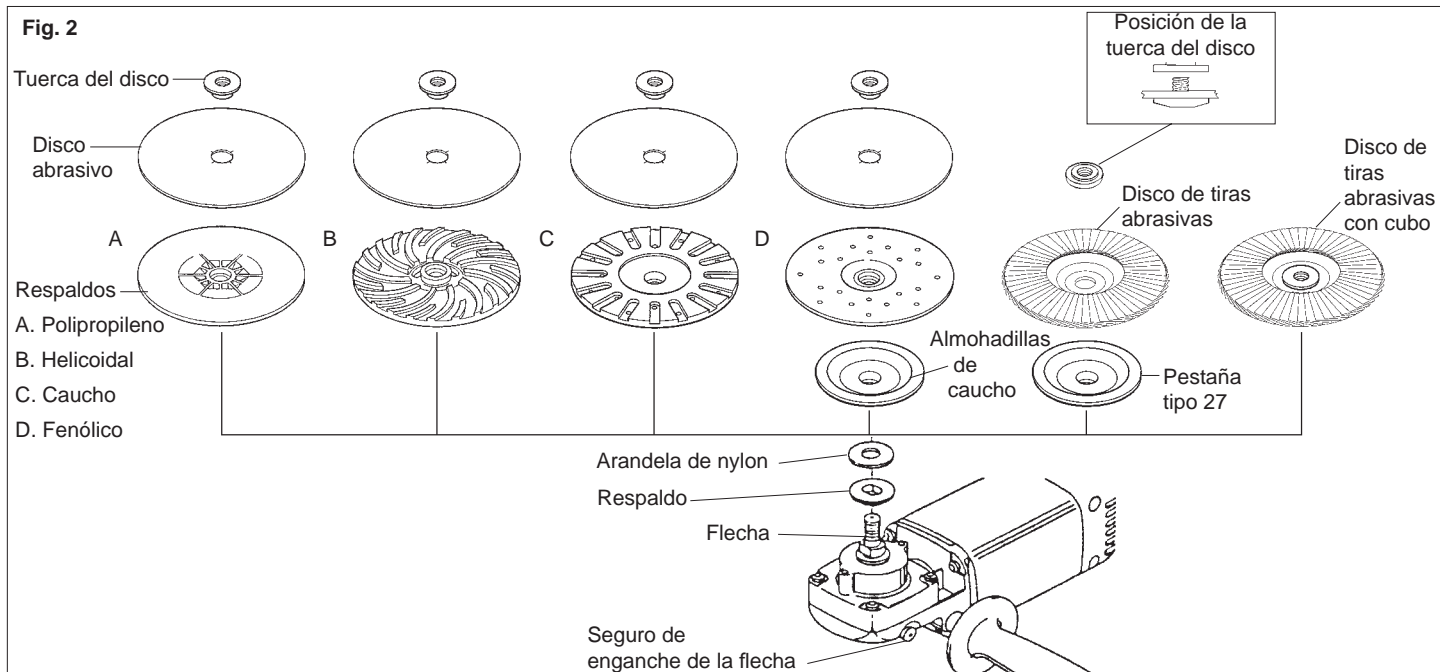
- del tamaño correcto para la herramienta y para el disco abrasivo o la rueda abrasiva
- de capacidad nominal igual o superior a los RPM listados en la sección "ADVERTENCIA" en la placa de la herramienta
- el accesorio adecuado para el trabajo a realizar

Material de discos abrasivos y ruedas abrasivas

Los discos abrasivos y las ruedas abrasivas están compuestos de varios materiales y han sido diseñados para diferentes trabajos. Asegúrese de que ha seleccionado el disco abrasivo y la rueda abrasiva correcta para el trabajo que proyecta realizar.

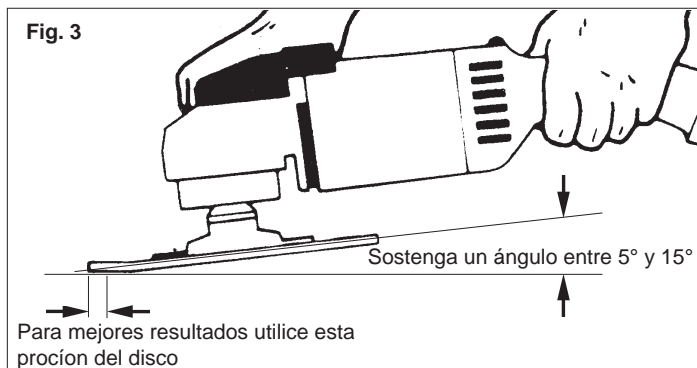
Instalación de discos abrasivos

1. Desenchufe la herramienta y colóquela boca abajo sobre una superficie nivelada. Retire cualquier accesorio de la flecha.
2. Enrosque la arandela de nylon en la flecha. Adjunte el respaldo en el disco abrasivo utilizando la Fig. 2 para determinar el tipo y orden del ensamblaje.
NOTA: Cuando instale el disco de tiras abrasivas sin el cubo, coloque la tuerca del disco de acuerdo se muestra.
3. Para apretarlo, presione el seguro de enganche de la flecha a la vez que gira la tuerca del disco en el sentido de las manecillas del reloj.
4. Para desmontar el disco abrasivo y el respaldo, desenchufe la herramienta e invierta el procedimiento.



Lijado

1. Fije el material sobre el que va a trabajar con pinzas o sujetadores de forma tal que pueda tener ambas manos libres para controlar la herramienta. Sujete firmemente el mango posterior y el mango lateral antes de iniciar el trabajo y durante la operación. Permita que el disco alcance su máxima velocidad antes de iniciar el trabajo.
2. Sostenga la herramienta en un ángulo entre 5° y 15° para asegurar una presión y un control de lijado correctos (Fig. 3). Un ángulo superior al especificado ocasionará demasiada presión y desgaste excesivo tanto del disco como de la pieza de trabajo. Un ángulo inferior al especificado reducirá el control de la herramienta.



3. Lije con pasadas largas y rítmicas, de lado a lado, avanzando hacia adelante para producir el acabado deseado.

Remoción de marcas de martillo soldadura

Al remover marcas de martillo o soldadura, limite el lijado grueso a las áreas inmediatas. Posteriormente, utilice granos finos para emparejar la superficie.

Lijado cruzado

Cuando vaya a realizar el acabado de una superficie que ha sido preparada con una rueda o disco de grano grueso, lije en ángulo recto a las marcas realizadas por el disco de grano más grueso. Las marcas producidas por el lijado o anterior se pueden ver y remover fácilmente para lograr un acabado uniforme. Si no lleva a cabo el lijado cruzado cuando cambia de disco de grano grueso a disco para acabado, podría ocasionar ralladuras profundas y marcas circulares.

Acabado en metal

Haga movimientos constantes a través de la superficie. Trabaje con mayor rapidez en las superficies curvas, donde las áreas de contacto son menores y la presión es mayor. Al final de la pasada podrían aparecer áreas planas si la presión es muy alta. Reduzca la presión al final de cada pasada y cuando haga pasadas en reversa.

Solución a los problemas

Las ralladuras profundas y las marcas circulares pueden deberse al:

- Uso de grano muy grueso
- Uso de disco parcialmente cristalizado
- Polvo o rebabas sueltas en la pieza de trabajo
- No lijar en forma cruzada, a través del grano, cuando se cambió de disco de grano grueso a disco para acabado

Cuando la superficie de metal se torna azulosa, esto indica:

- Exceso de calor ocasionado por movimientos circulares en áreas demasiado pequeñas
- Exceso de presión
- Uso de discos cristalizados o gastados

Selección de discos abrasivos y granos

Consulte la tabla a continuación para seleccionar el tipo de disco adecuado para su trabajo. En forma general, utilice grano 16, 24 ó 36 para remoción de material en bruto grueso; grano 50, 60 ó 80 para remoción de material en bruto de dureza media, y grano 120 para acabados. Comience siempre con un grano grueso, y posteriormente, utilice granos más finos para obtener el acabado deseado. Consulte el catálogo para ver una lista completa de discos abrasivos MILWAUKEE.

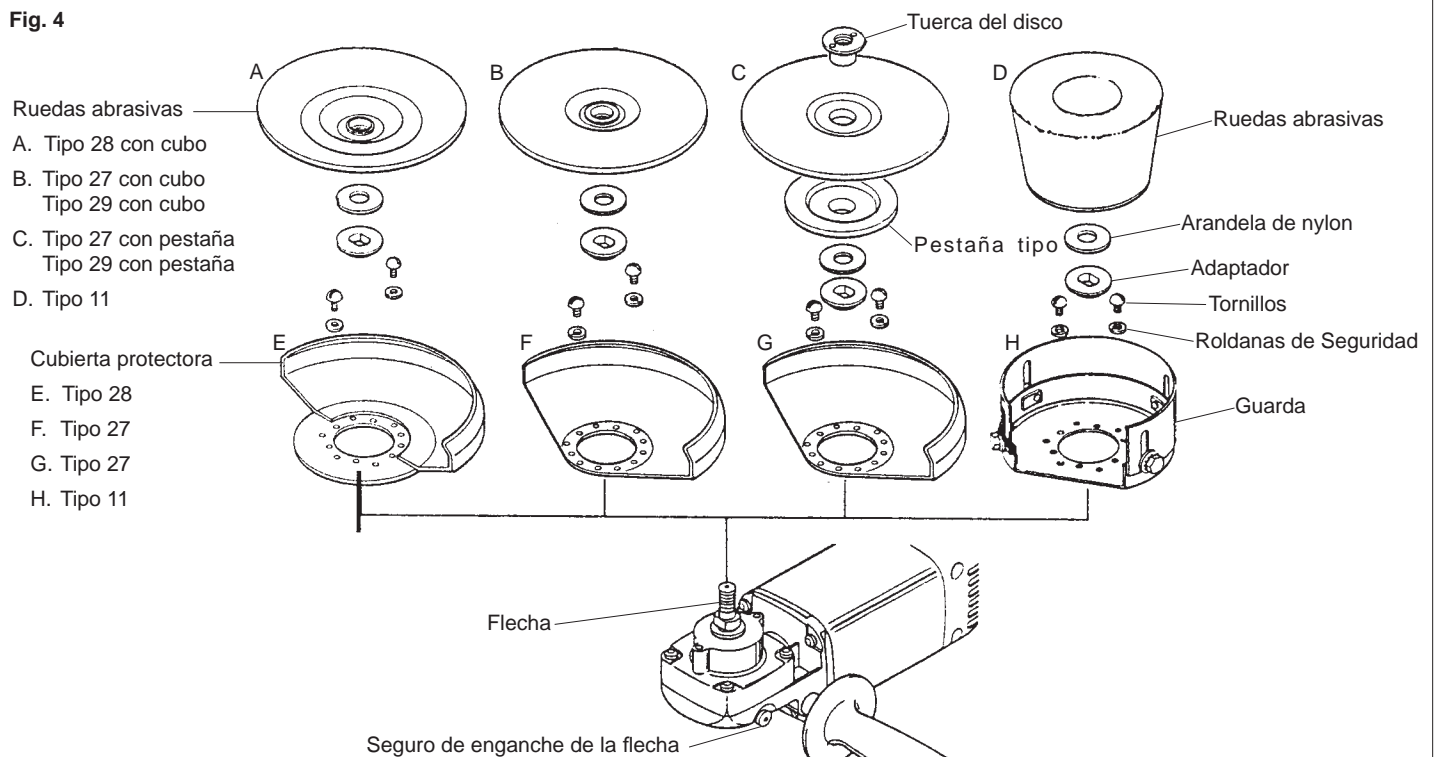
Óxido de aluminio	Aluminio y Circona de doble corte	Cerámica
Para discos de desbaste rápido y aplicaciones generales en la mayoría de las operaciones en metal. Ideal para acero laminado en frío, acero inoxidable o metales que requieran abrasivos féreos, de larga vida útil y desbaste rápido.	Su diseño especial de grano está dispuesto en grupos para una remoción y limpieza más rápida del material en bruto. Ideal para remover pintura de autos, botes, etc. sin posibilidad de obstrucción.	Su vida útil es hasta 3 veces mayor que la de los discos de óxido de aluminio. Ideales para aplicaciones generales en metal y para trabajos difíciles.

USO DE RUEDAS ABRASIVAS Y RUEDAS DE CORTE

Instalación de ruedas abrasivas

- Desenchufe la herramienta y colóquela boca abajo sobre una superficie nivelada. Retire cualquier accesorio de la flecha.
- Enrosque la arandela de nylon en la flecha. Adjunte la cubierta protectora y la rueda abrasiva utilizando la Fig. 4 para determinar el tipo y orden del ensamblaje (Vea "Instalación, ajuste y remoción de la cubierta protectora" para instrucciones sobre cómo adjuntar la cubierta protectora). **NOTA:** Cuando instale ruedas abrasivas tipo 27 o tipo 29, coloque la tuerca del disco de acuerdo al grosor de la rueda.
Coloque la cubierta protectora en la ubicación que le ofrezca el mejor control y resguardo. Para informarse sobre las zonas de operación que proporcionan la máxima protección para el operador, Vea "Esmerilado". **NOTA:** Cuando seleccione ruedas abrasivas de cubeta tipo 11, el borde de la cubierta protectora deberá ser ajustado de manera que, como máximo, 3,2 mm (1/8") de la rueda se extienda más allá de la cubierta protectora.
- Para apretarlo, presione el seguro de enganche de la flecha a la vez que gira la rueda o la tuerca del disco en el sentido de las manecillas del reloj con la llave inglesa suministrada.
- Para desmontar el disco abrasivo y el respaldo, desenchufe la herramienta e invierta el procedimiento.

Fig. 4



Cuidado de las ruedas abrasivas y las ruedas de corte



ADVERTENCIA

Para reducir el riesgo de lesiones, deberá instruirse al operario en el uso, cuidados y protección de los discos abrasivos.

Las ruedas abrasivas y las ruedas de corte deben protegerse de:

- humedad y humedad extrema
- cualquier tipo de solvente
- cambios extremos de temperatura
- caídas y golpes

Las ruedas abrasivas y las ruedas de corte deben guardarse:

- de manera organizada de forma tal que puedan tomarse sin perturbar o dañar otras ruedas
- con su información de seguridad

Las ruedas abrasivas y las ruedas de corte NO deben:

- dejarse caer
- rodarse
- golpearse

Si alguna rueda se deja caer, se rueda, se golpea, se somete a cambios extremos de temperatura, o ha entrado en contacto con solventes o humedad, deséchela de inmediato.

Solución de problemas

Las ralladuras profundas y las marcas circulares pueden deberse a:

- Presión irregular
- Uso de un disco parcialmente cristalizado - especialmente en aplicaciones en aluminio
- Polvo o rebabas sueltas en la pieza de trabajo
- No hacer movimientos constantes a través de la superficie

Cuando la superficie de metal se torna azulosa, esto indica:

- Exceso de calor ocasionado por movimientos circulares en áreas demasiado pequeñas
- Exceso de presión
- Uso de discos cristalizados o gastados

Revisión de las ruedas

Maneje siempre las ruedas con cuidado para evitar dañarlas. Antes de instalarlas, revíselas para comprobar que no tengan grietas. Si están agrietadas, deséchelas para evitar que otras personas las usen.

Selección de ruedas



ADVERTENCIA

Utilice solamente los discos con una velocidad máxima para una operación segura con capacidad nominal igual o superior a los RPM listados en la sección "ADVERTENCIA" en la placa de la herramienta. Esta velocidad se basa en la resistencia de la rueda y permite una medida de seguridad razonable. Esto no implica que esta velocidad sea mejor u óptima. No exceda la velocidad máxima para una operación segura.

Esmerilar es la acción de cortar con miles de granos abrasivos que se encuentran en la cara de una rueda abrasiva. Cuando esmerile metales, tales como hierro y acero, seleccione una rueda abrasiva de óxido de aluminio. Cuando esmerile piedra o concreto, utilice una rueda abrasiva de carburo de silicio. Utilice ruedas reforzadas de algodón para trabajos en metales no féreos.

Las ruedas de corte reforzadas tipo 27 de 3,2 mm (1/8") son ideales para operaciones de corte y de acanalado solamente.

Esmerilado



ADVERTENCIA

Para reducir el riesgo de lesiones al esmerilar:

- **Sostenga SIEMPRE** la herramienta firmemente con ambas manos y utilice los mangos proporcionados, antes y durante el esmerilado.
- **NUNCA** permita que la rueda se atasque.
- **NUNCA** utilice una rueda que se haya dejado caer.
- **NUNCA** golpee la rueda abrasiva contra la pieza de trabajo.
- **NUNCA** esmerile sin contar primero con el equipo de seguridad correcto.

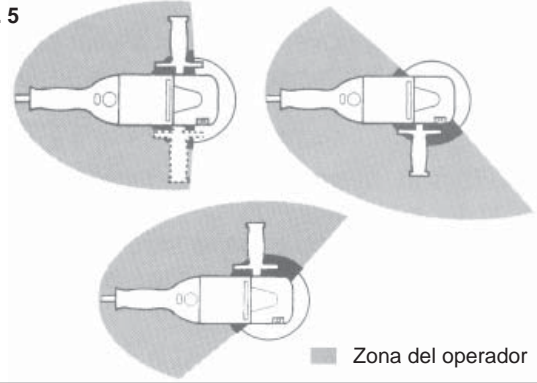


ADVERTENCIA

Para reducir el riesgo de lesiones al esmerilar, utilice SIEMPRE la cubierta protectora adecuada. SIEMPRE instale la cubierta protectora de manera correcta.

1. Según el trabajo a ser realizado, coloque el protector para que este proporcione la máxima protección al operador como se muestra (Fig. 5).

Fig. 5



2. Si usted acaba de instalar una rueda abrasiva o está a punto de comenzar un trabajo, pruebe el disco dejándolo girar por espacio de un minuto antes de aplicarlo sobre la pieza de trabajo.

NOTA: Cuando las ruedas se hallan desbalanceadas, pueden estropear la pieza de trabajo, dañar la herramienta, causar la fatiga de la rueda y provocar que ésta falle.

3. Sujete firmemente el mango posterior y el mango lateral antes de comenzar y mientras utiliza la herramienta. Permita que la rueda alcance su máxima velocidad antes de iniciar el trabajo.
4. Cuando esmerile, sujete la herramienta en un ángulo entre 5° y 15° según se muestra, ejerciendo una presión constante para un acabado uniforme (Fig. 6). Un ángulo superior al especificado ocasionará la concentración de presión en áreas pequeñas, lo que se traduce en daños al material o quemaduras en la superficie de trabajo.

Fig. 6



5. Controle la presión y el contacto entre la rueda y la pieza de trabajo. Una presión excesiva disminuye la velocidad de corte.

Usando discos de corte tipo 27



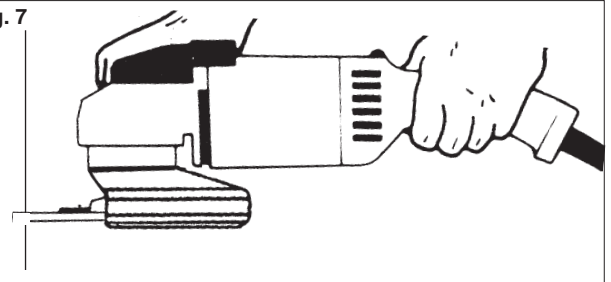
ADVERTENCIA

Se debe instalar una cubierta protectora tipo 27 cuando utilice una rueda de corte tipo 27 a fin de proporcionarle al operador un resguardo máximo en caso que la rueda se rompa.

Los discos reforzados tipo 27 son ideales para operaciones de corte y de acanalado solamente.

1. Sujete firmemente el mango posterior y el mango lateral antes de comenzar y mientras utiliza la herramienta. Permita que el disco alcance su máxima velocidad antes de iniciar el trabajo.
2. Cuando utilice una rueda de corte, sujete la herramienta según se muestra, utilizando solamente el borde de la rueda (Fig. 7).

Fig. 7



3. Controle la presión y el contacto entre la rueda y la pieza de trabajo. Una presión excesiva disminuye la velocidad de corte.

Selección de cepillos de alambre

Los cepillos de alambre son útiles para remover óxido, incrustaciones, rebabas, escorias de soldadura, etc. Se dispone de una amplia variedad de cepillos de alambre para diferentes aplicaciones.

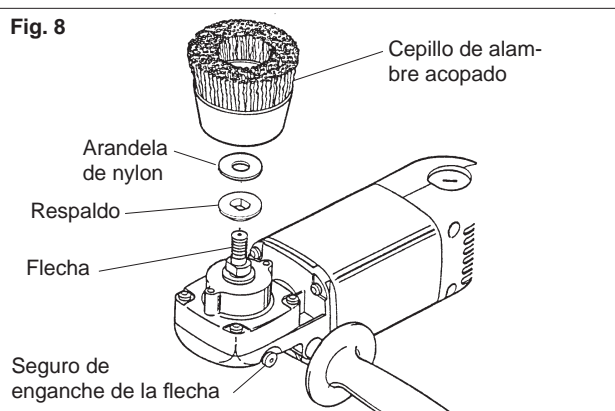


ADVERTENCIA

Toda persona que se encuentre en el área de trabajo deberá usar gafas y vestimenta protectora o protección para la cara. Los alambres con cierto grado de fatiga y los residuos podrían salir disparados del cepillo con una fuerza considerable y posiblemente ocasionar lesiones graves.

Instalación de cepillos de alambre acopados

Fig. 8



1. Desenchufe la herramienta y colóquela boca abajo sobre una superficie nivelada. Retire cualquier accesorio de la flecha.

NOTA: Nunca utilice una cubierta protectora con un cepillo de alambre acopado.

2. Enrosque la arandela de nylon en la flecha. Adjunte el cepillo de alambre acopado y la flecha.
3. Presione el seguro de enganche de la flecha mientras aprieta el cepillo con una llave (no se incluye con la herramienta).
4. Para retirar el cepillo de alambre acopado, desenchufe la herramienta e invierta el procedimiento.

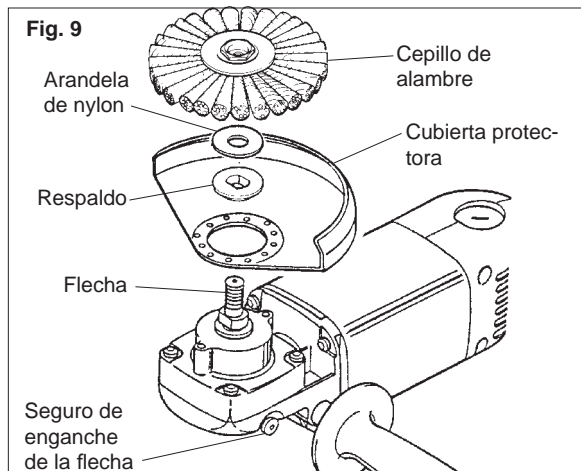
Instalación de los cepillos de alambre tipo rueda



ADVERTENCIA

Dado que los alambres en los cepillos de alambre tipo rueda quedan orientados hacia el operador, se debe utilizar una cubierta protectora tipo 27 a fin de proteger al operador cuando los alambres con cierto grado de fatiga se rompan.

Fig. 9



1. Desenchufe la herramienta y colóquela boca abajo sobre una superficie nivelada. Retire cualquier accesorio de la flecha.
2. Enrosque la arandela de nylon en la flecha. Adjunte la cubierta protectora y el cepillo de alambre tipo rueda en la flecha (Vea la Fig. 4 para instrucciones sobre cómo adjuntar la cubierta protectora). Coloque la cubierta protectora en la ubicación que le ofrezca el mejor control y protección de cubierta. Para informarse sobre las zonas de operación que proporcionan la máxima protección para el operador, vea la "Esmerilado".
3. Presione el seguro de enganche de la flecha mientras aprieta el cepillo con una llave (no se incluye con la herramienta).
4. Para retirar el cepillo de alambre tipo rueda y la cubierta protectora, desenchufe la herramienta e invierta el procedimiento.

Uso de los cepillos de alambre



ADVERTENCIA

Nunca exceda la velocidad máxima de operación del cepillo. No utilice cepillos dañados o que funcionen inadecuadamente (que lancen partículas o estén desbalanceados). Estas condiciones aumentan el riesgo de una falla posterior mayor y una posible lesión. Deseche y reemplace los cepillos dañados de inmediato.

1. No lleve puesta vestimenta holgada cuando utilice los cepillos de alambre. Los alambres podrían quedar atrapados en este tipo de vestimenta y tirar de la misma hacia las partes en movimiento.
2. Sujete firmemente el mango posterior y el mango lateral antes de comenzar y mientras utiliza la herramienta. Siempre examine el cepillo de alambre para probar su balance y detectar la presencia de alambres sueltos o defectuosos, operando la herramienta a una velocidad sin carga por espacio de un minuto antes de utilizar con la pieza de trabajo.
3. Cuando utilice el cepillo con la pieza de trabajo, evite ejercer demasiada presión. Esto ocasiona la sobreflexión de los alambres y acumulación de calor, dando como resultado el rompimiento prematuro de los alambres, un desgaste rápido y una menor vida útil del cepillo.

En lugar de ejercer mayor presión, intente con un cepillo de alambre tipo rueda con una acción de corte más agresiva (alambres de mayor tamaño, alambres de menor longitud u otro tipo de cepillo, por ejemplo, cepillo tipo anudado en lugar de cepillo tipo rizado).

MANTENIMIENTO



ADVERTENCIA

Para reducir el riesgo de lesiones, desconecte siempre la herramienta antes de darle cualquier mantenimiento. Nunca desarme la herramienta ni trate de hacer modificaciones en el sistema eléctrico de la misma. Acuda siempre a un Centro de Servicio MILWAUKEE para TODAS las reparaciones.

Mantenimiento de las herramientas

Adopte un programa regular de mantenimiento y mantenga su herramienta en buenas condiciones. Antes de usarla, examine las condiciones generales de la misma. Inspeccione guardas, interruptores, el cable de la herramienta y el cable de extensión. Busque tornillos sueltos o flojos, defectos de alineación y dobleces en partes móviles, así como montajes inadecuados, partes rotas y cualquier otra condición que pueda afectar una operación segura. Si detecta ruidos o vibraciones anormales, apague la herramienta de inmediato y corrija el problema antes de volver a usarla. No utilice una herramienta dañada. Colóquela una etiqueta que diga "NO DEBE USARSE" hasta que sea reparada (vea "Reparaciones").

Bajo condiciones normales, no se requiere lubricación hasta que haya que cambiar los carbones. Después de 6 meses a un año, dependiendo del uso dado, envíe su herramienta al Centro de Servicio MILWAUKEE más cercano para que le hagan:

- Lubricación
- Inspección y cambio de carbones
- Inspección mecánica y limpieza (engranes, flechas, baleros, carcarza, etc.)
- Inspección eléctrica (interruptor, cable, armadura, etc.)
- Probarla para asegurar una operación mecánica y eléctrica adecuada.



ADVERTENCIA

Para reducir el riesgo de lesiones, descarga eléctrica o daño a la herramienta, nunca la sumerja en líquidos ni permita que estos fluyan dentro de la misma.

Limpieza

Limpie el polvo y suciedad de las ventilas. Mantenga las empuñaduras de la herramienta limpias, secas y libres de aceite y grasa. Use sólo jabón neutro y un trapo húmedo para limpiar su herramienta ya que algunas sustancias y disolventes limpiadores pueden ocasionar daños a materiales plásticos y partes aislantes. Algunos de estos incluyen: gasolina, trementina, diluyente para barniz, diluyente para pintura, disolventes limpiadores clorados, amoníaco, y detergentes caseros que contengan amoníaco.

Reparaciones

Si su instrumento se daña, vuelva el instrumento entero al más cercano centro de reparaciones.

ACCESORIOS



ADVERTENCIA

Para reducir el riesgo de lesiones, desconecte siempre su herramienta antes de colocar o retirar un accesorio. Use solo accesorios recomendados específicamente. Otros pueden ser peligrosos.

Para una lista completa de accesorios, refiérase a su catálogo MILWAUKEE Electric Tool o visite nuestro sitio en Internet: www.milwaukeetool.com. Para obtener un catálogo, contacte su distribuidor local o uno de los centros.

GARANTÍA LIMITADA DE CINCO AÑOS

Cada herramienta eléctrica MILWAUKEE (incluyendo el cargador de batería) está garantizada sólo al comprador original de estar libre de defectos en el material y la mano de obra. Sujeto a ciertas excepciones, MILWAUKEE reparará o reemplazará por un período de cinco (5) años* después de la fecha de compra cualquier pieza en una herramienta eléctrica que, después de haber sido examinada, MILWAUKEE determine que está defectuosa en el material o la mano de obra. Regrese la herramienta eléctrica y una copia de la prueba de compra a un concesionario de soporte de ventas/servicio de fábrica MILWAUKEE o a una estación de servicio autorizada MILWAUKEE. Para que esta garantía sea efectiva, se requiere el flete pagado por anticipado y el seguro. Esta garantía no aplica a los daños que MILWAUKEE determine sean ocasionados por reparaciones o intentos de reparación por cualquier otro que personal autorizado por MILWAUKEE, uso indebido, alteraciones, abuso, desgaste y deterioro normal, falta de mantenimiento o accidentes.

* El plazo de garantía para los montacargas (de palanca, de cadena manual y de cadena eléctrica), de todas las baterías de Ni-Cd, de las linternas de trabajo (inalámbricas), de los radios para el lugar de trabajo, y de los carros Trade Titan™ para trabajo industrial es de un (1) año a partir de la fecha de compra. *El plazo de garantía para las baterías de iones de litio que no incluyan tecnología V™ (desde 4,0 voltios hasta 18,0 voltios) es de dos (2) años a partir de la fecha de compra.

*Existe una garantía por separado para las baterías de iones de litio con tecnología V™ (de 18 voltios o más) que viene incluida con las herramientas eléctricas que poseen tecnología V™:

*Cada batería de iones de litio de tecnología V™ de MILWAUKEE de 18 voltios o superior, está cubierta con una garantía de reemplazo gratuito por las primeras 1000 cargas/2 años. Esto significa que por lo que suceda primero, las primeras 1000 cargas o dos (2) años de la fecha de compra/primer carga, se proporcionará sin cargo al cliente, una batería de reemplazo por cualquier batería defectuosa. A partir de entonces, los clientes recibirán una garantía adicional en una base proporcional que puede ser hasta de las primeras 2000 cargas o cinco (5) años de la fecha de compra/primer carga, lo que suceda primero. Esto significa que cada cliente obtiene una garantía proporcional de 1000 cargas o tres (3) años adicionales en la batería de iones de litio de tecnología V™ de 18 voltios o superior, dependiendo de la cantidad de uso. Durante este período adicional de garantía, el cliente paga por sólo el servicio utilizable recibido durante y superior a las primeras 1000 cargas/2 años, de acuerdo a la fecha de la primera carga y al número de cargas encontradas en la batería a través del lector de servicio de tecnología V™ de MILWAUKEE.

El registro de la garantía no es necesario para obtener la garantía aplicable en un producto MILWAUKEE. Sin embargo, se requiere un recibo de compras u otra información similar que MILWAUKEE considere suficiente. Si no se presenta ningún comprobante de compra cuando se solicita el servicio de garantía, se tendrá en cuenta la fecha de fabricación del producto para establecer el período de garantía.

LA ACEPTACIÓN DE LOS REMEDIOS EXCLUSIVOS DE REPARACIÓN Y REEMPLAZO AQUÍ DESCRITOS ES UNA CONDICIÓN DEL CONTRATO EN LA COMPRA DE CADA PRODUCTO MILWAUKEE. SI NO ESTÁ DE ACUERDO CON ESTA CONDICIÓN, NO DEBERÍA COMPRAR ESTE PRODUCTO. EN NINGÚN CASO MILWAUKEE SERÁ RESPONSABLE POR CUALESQUIER DAÑO PUNITIVO, CONSECUENTE, ESPECIAL, INCIDENTAL O POR CUALESQUIER COSTO, HONORARIOS DE ABOGADO, GASTOS, PÉRDIDAS O RETRASOS QUE SE ARGUMENTE QUE SEAN UNA CONSECUENCIA DE CUALQUIER DAÑO A, FALLA DE, O DEFECTO EN CUALQUIER PRODUCTO, INCLUYENDO, PERO SIN LIMITARSE A, CUALQUIER RECLAMO POR PÉRDIDAS DE GANANCIAS. ESTA GARANTÍA ES EXCLUSIVA Y REEMPLAZA TODAS LAS DEMÁS GARANTÍAS O CONDICIONES, ORALES O ESCRITAS, EXPRESAS O IMPLÍCITAS. SIN LIMITAR LA GENERALIDAD DE LO ANTERIOR, MILWAUKEE RENUNCIA A TODA GARANTÍA IMPLÍCITA DE COMERCIABILIDAD O APTITUD PARA UN FIN O USO ESPECÍFICO Y DEMÁS GARANTÍAS.

Esta garantía es válida solamente en el producto vendido en los Estados Unidos, México y Canadá.

UNITED STATES

MILWAUKEE Service

MILWAUKEE prides itself in producing a premium quality product that is

NOTHING BUT HEAVY DUTY®.

Your satisfaction with our products is very important to us!

If you encounter any problems with the operation of this tool, or you would like to locate the *factory Service/Sales Support Branch* or *authorized service station* nearest you, please call...

1-800-SAWDUST

(1.800.729.3878)

NATIONWIDE TOLL FREE

Monday-Friday • 8:00 AM - 4:30 PM • Central Time
or visit our website at

www.milwaukeetool.com

For service information, use the 'Service Center Search' icon found in the 'Parts & Service' section.

Additionally, we have a nationwide network of *authorized* Distributors ready to assist you with your tool and accessory needs. Check your "Yellow Pages" phone directory under "Tools-Electric" for the names & addresses of those nearest you or see the 'Where To Buy' section of our website.

Corporate After Sales Service - Technical Support
Brookfield, Wisconsin USA

•Technical Questions •Service/Repair Questions •Warranty

1-800-SAWDUST

(1.800.729.3878)

fax:1.800.638.9582

email: metproductsupport@milwaukeetool.com

Monday-Friday • 8:00 AM - 4:30 PM • Central Time

CANADA

Service MILWAUKEE

MILWAUKEE est fier de proposer un produit de première qualité **NOTHING BUT HEAVY DUTY®.** Votre satisfaction est ce qui compte le plus!

En cas de problèmes d'utilisation de l'outil ou pour localiser le centre de service/ventes ou le *centre d'entretien* le plus proche, appelez le...

416.439.4181

fax: 416.439.6210

Milwaukee Electric Tool (Canada) Ltd

755 Progress Avenue

Scarborough, Ontario M1H 2W7

Notre réseau national de distributeurs *agrés* se tient à votre disposition pour fournir l'aide technique, l'outillage et les accessoires nécessaires. Composez le 416.439.4181 pour obtenir les noms et adresses des revendeurs les plus proches ou bien consultez la section «Où acheter» sur notre site web à l'adresse

www.milwaukeetool.com

MEXICO

Soporte de Servicio MILWAUKEE

Milwaukee Electric Tool, S.A. de C.V.

Blvd. Abraham Lincoln no. 13

Colonia Los Reyes Zona Industrial

Tlalnepantla, Edo. México C.P. 54073

Tel. (55) 5565-1414 Fax: (55) 5565-6874

Adicionalmente, tenemos una red nacional de distribuidores autorizados listos para ayudarle con su herramienta y sus accesorios. Por favor, llame al (55) 5565-1414 para obtener los nombres y direcciones de los más cercanos a usted, o consulte la sección 'Where to buy' (Dónde comprar) de nuestro sitio web en

www.milwaukeetool.com

MILWAUKEE ELECTRIC TOOL CORPORATION
13135 West Lisbon Road • Brookfield, Wisconsin, U.S.A. 53005

Free Manuals Download Website

<http://myh66.com>

<http://usermanuals.us>

<http://www.somanuals.com>

<http://www.4manuals.cc>

<http://www.manual-lib.com>

<http://www.404manual.com>

<http://www.luxmanual.com>

<http://aubethermostatmanual.com>

Golf course search by state

<http://golfingnear.com>

Email search by domain

<http://emailbydomain.com>

Auto manuals search

<http://auto.somanuals.com>

TV manuals search

<http://tv.somanuals.com>