



# SERVICE PARTS LIST

**BULLETIN NO.**  
**54-38-0551**

SPECIFY CATALOG NO. AND SERIAL NO. WHEN ORDERING PARTS		REVISED BULLETIN	DATE
<b>FINISHING SANDER with DUST PICK-UP</b>		54-38-0550	Mar. '95
CATALOG NO.	6017	WIRING INSTRUCTION	
SERIAL NUMBER	781-64400	<b>58-01-0220</b>	

**EXAMPLE:**  
Component Parts (Small #) Are Included  
When Ordering The Assembly (Large #).

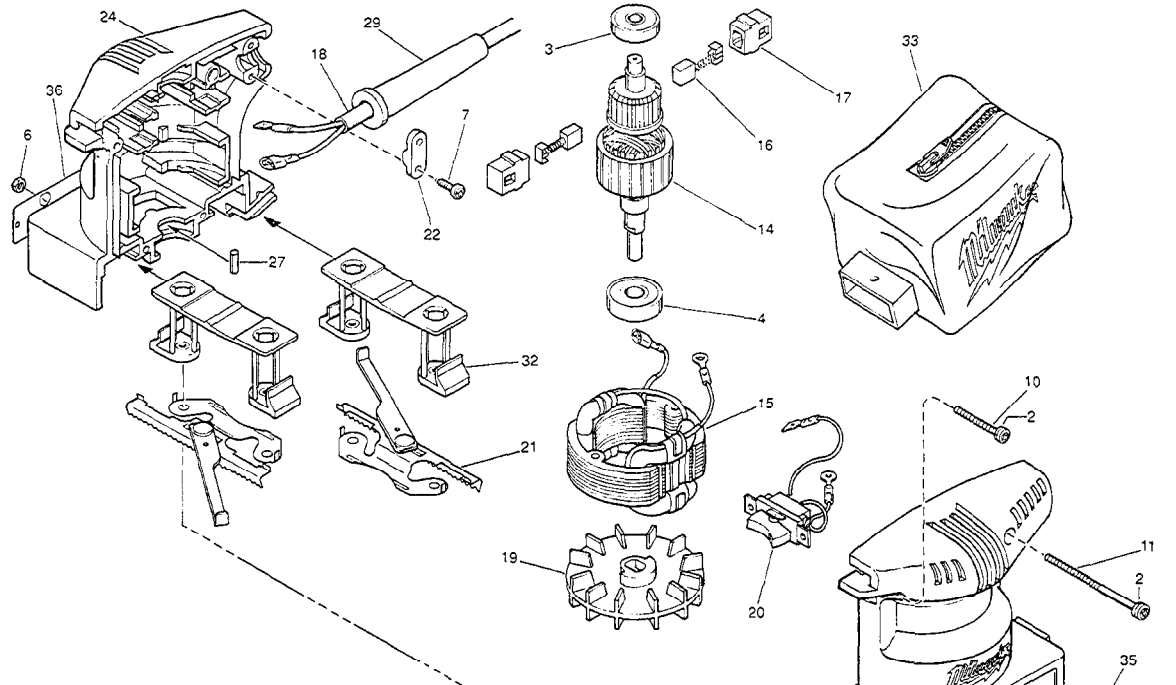
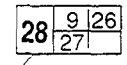
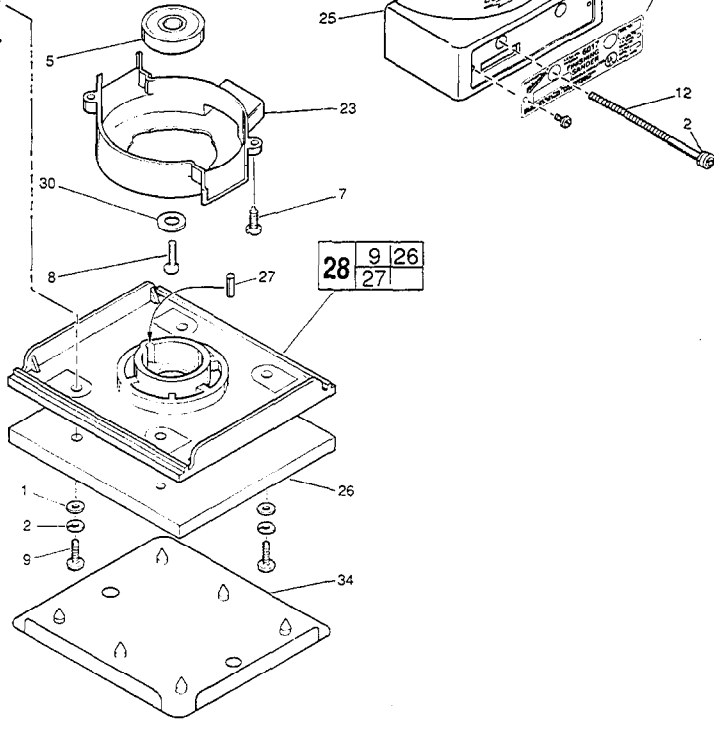


FIG.	PART NO.	DESCRIPTION OF PART	NO. REQ.
	1	45-88-8265 M4 Flat Washer	(4)
	2	45-88-8270 M4 Spring Washer	(8)
	3	02-04-0710 Ball Bearing	(1)
★	4	02-04-0911 Ball Bearing	(1)
	5	02-04-1050 Ball Bearing	(1)
	6	05-55-0104 4mm Hex Nut	(4)
	7	05-78-0425 M4 x 12mm Plastite Screw	(4)
	8	05-80-0420 M4 x 12mm Flat Hd. Mach. Screw	(1)
	9	05-81-0413 M4 x 12mm Pan Hd. Mach. Screw	(4)
	10	05-81-0433 M4 x 27mm Pan Hd. Mach. Screw	(1)
	11	05-81-0458 M4 x 60mm Pan Hd. Mach. Screw	(1)
	12	05-81-0463 M4 x 75mm Pan Hd. Mach. Screw	(2)
	14	16-10-0635 115 Volt Armature	(1)
	15	18-10-0140 115 Volt Field	(1)
	16	22-16-0340 Carbon Brush	(2)
	17	22-20-0740 Brush Holder	(2)
	18	22-64-3030 Cord Set	(1)
	19	22-84-0825 Dust Pick Up Fan	(1)
	20	23-66-1660 Switch	(1)
	21	42-68-0585 Clamp	(2)
	22	42-68-0590 Cord Clamp	(1)
	23	43-56-0460 Fan Guide	(1)
★	24	43-76-0536 Right Housing	(1)
★	25	43-76-0546 Left Housing	(1)
	26	44-52-0520 Pad	(1)
	27	44-60-1060 Rubber Pin	(2)
	28	44-66-5880 Pad Assembly Kit	(1)
	29	44-76-0190 Strain Relief	(1)
	30	44-86-0430 Bearing Retainer	(1)
	32	45-60-0500 Support Foot	(2)
	33	48-09-0310 Dust Bag Assembly (Accessory)	(1)
	34	49-80-2050 Punch Plate Assembly (Accessory)	(1)
★	35	12-99-3145 Service Nameplate	(1)
★	36	10-98-6880 Caution Plate	(1)



**MILWAUKEE ELECTRIC TOOL CORPORATION**  
13135 W. LISBON RD., BROOKFIELD, WI 53005

## Free Manuals Download Website

<http://myh66.com>

<http://usermanuals.us>

<http://www.somanuals.com>

<http://www.4manuals.cc>

<http://www.manual-lib.com>

<http://www.404manual.com>

<http://www.luxmanual.com>

<http://aubethermostatmanual.com>

Golf course search by state

<http://golfingnear.com>

Email search by domain

<http://emailbydomain.com>

Auto manuals search

<http://auto.somanuals.com>

TV manuals search

<http://tv.somanuals.com>