



**OPERATOR'S MANUAL
MANUEL de L'UTILISATEUR
MANUAL del OPERADOR**



**Catalog No.
No de Cat.
Catálogo No.
5455
5460
5540**

**HEAVY -DUTY POLISHERS
POLISSEUSES EXTRA ROBUSTES
PULIDORAS EXTRA RESISTENTES**

TO REDUCE THE RISK OF INJURY, USER MUST READ AND UNDERSTAND OPERATOR'S MANUAL.

AFIN DE RÉDUIRE LE RISQUE DE BLESSURES, L'UTILISATEUR DOIT LIRE ET BIEN COMPRENDRE LE MANUEL DE L'UTILISATEUR.

PARA REDUCIR EL RIESGO DE LESIONES, EL USUARIO DEBE LEER Y ENTENDER EL MANUAL DEL OPERADOR.

GENERAL SAFETY RULES — FOR ALL POWER TOOLS



READ ALL INSTRUCTIONS

Failure to follow all instructions listed below may result in electric shock, fire and/or serious injury. The term "power tool" in all of the warnings listed below refers to your mains-operated (corded) power tool or battery-operated (cordless) power tool.

SAVE THESE INSTRUCTIONS

WORK AREA SAFETY

1. **Keep work area clean and well lit.** Cluttered or dark areas invite accidents.
2. **Do not operate power tools in explosive atmospheres, such as in the presence of flammable liquids, gases, or dust.** Power tools create sparks which may ignite the dust or fumes.
3. **Keep children and bystanders away while operating a power tool.** Distractions can cause you to lose control.

ELECTRICAL SAFETY

4. **Power tool plugs must match the outlet. Never modify the plug in any way. Do not use any adapter plugs with earthed (grounded) power tools.** Unmodified plugs and matching outlets will reduce risk of electric shock.
5. **Avoid body contact with earthed or grounded surfaces such as pipes, radiators, ranges and refrigerators.** There is an increased risk of electric shock if your body is earthed or grounded.
6. **Do not expose power tools to rain or wet conditions.** Water entering a power tool will increase the risk of electric shock.
7. **Do not abuse the cord. Never use the cord for carrying, pulling, or unplugging the power tool. Keep cord away from heat, oil, sharp edges, or moving parts.** Damaged or entangled cords increase the risk of electric shock.
8. **When operating a power tool outdoors, use an extension cord suitable for outdoor use.** Use of a cord suitable for outdoor use reduces the risk of electric shock.

PERSONAL SAFETY

9. **Stay alert, watch what you are doing and use common sense when operating a power tool. Do not use a power tool while you are tired or under the influence of drugs, alcohol or medication.** A moment of inattention while operating power tools may result in serious personal injury.
10. **Use safety equipment. Always wear eye protection.** Safety equipment such as dust mask, non-skid safety shoes, hard hat, or hearing protection used for appropriate conditions will reduce personal injuries.
11. **Avoid accidental starting. Ensure the switch is in the off-position before plugging in.** Carrying tools with your finger on the switch or plugging in power tools that have the switch on invites accidents.
12. **Remove any adjusting key or wrench before turning the power tool on.** A wrench or a key left attached to a rotating part of the power tool may result in personal injury.
13. **Do not overreach. Keep proper footing and balance at all times.** This enables better control of the power tool in unexpected situations.
14. **Dress properly. Do not wear loose clothing or jewellery. Keep your hair, clothing and gloves away from moving parts.** Loose clothes, jewellery, or long hair can be caught in moving parts.
15. **If devices are provided for the connection of dust extraction and collection facilities, ensure these are connected and properly used.** Use of these devices can reduce dust-related hazards.

POWER TOOL USE AND CARE

16. **Do not force the power tool. Use the correct power tool for your application.** The correct power tool will do the job better and safer at the rate for which it was designed.
17. **Do not use the power tool if the switch does not turn it on and off.** Any power tool that cannot be controlled with the switch is dangerous and must be repaired.
18. **Disconnect the plug from the power source and/or the battery pack from the power tool before making any adjustments, changing accessories, or storing power tools.** Such preventive safety measures reduce the risk of starting the tool accidentally.
19. **Store idle power tools out of the reach of children and do not allow persons unfamiliar with the power tools or these instructions to operate power tools.** Power tools are dangerous in the hands of untrained users.
20. **Maintain power tools. Check for misalignment or binding of moving parts, breakage of parts and any other condition that may affect the power tool's operation. If damaged, have the power tool repaired before use.** Many accidents are caused by poorly maintained power tools.
21. **Keep cutting tools sharp and clean.** Properly maintained cutting tools with sharp cutting edges are less likely to bind and are easier to control.
22. **Use the power tool, accessories and tool bits etc., in accordance with these instructions and in the manner intended for the particular type of power tool, taking into account the working conditions and the work to be performed.** Use of the power tool for operations different from those intended could result in a hazardous situation.








SERVICE

23. **Have your power tool serviced by a qualified repair person using only identical replacement parts.** This will ensure that the safety of the power tool is maintained.

SPECIFIC SAFETY RULES

1. **Hold power tools by insulated gripping surfaces when performing an operation where the cutting tool may contact hidden wiring or its own cord.** Contact with a "live" wire will make exposed metal parts of the tool "live" and shock the operator.
2. **Maintain labels and nameplates.** These carry important information. If unreadable or missing, contact a *MILWAUKEE* service facility for a free replacement.
3. **WARNING!** Some dust created by power sanding, sawing, grinding, drilling, and other construction activities contains chemicals known to cause cancer, birth defects or other reproductive harm. Some examples of these chemicals are:
 - lead from lead-based paint
 - crystalline silica from bricks and cement and other masonry products, and
 - arsenic and chromium from chemically-treated lumber.

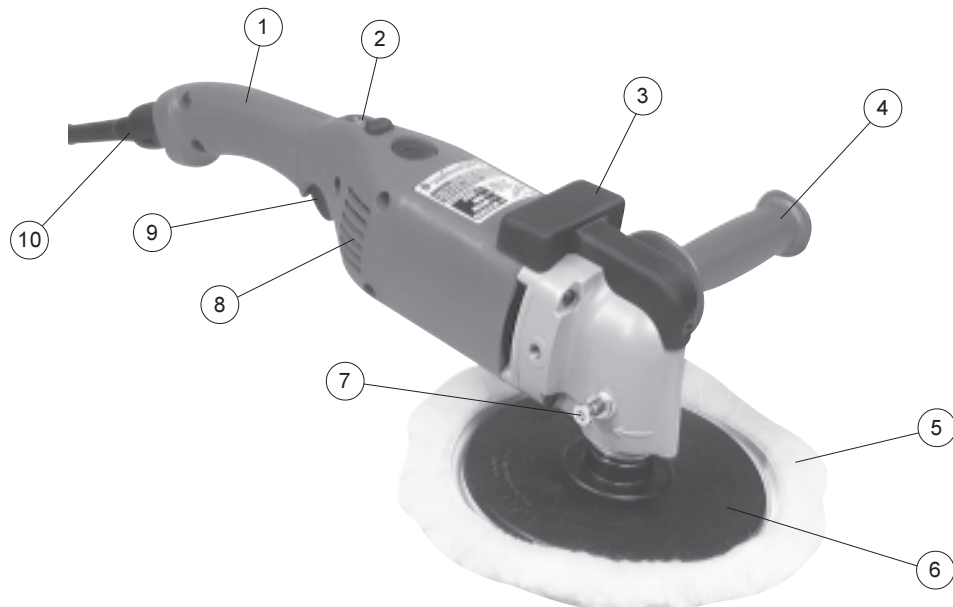
Your risk from these exposures varies, depending on how often you do this type of work. To reduce your exposure to these chemicals: work in a well ventilated area, and work with approved safety equipment, such as those dust masks that are specifically designed to filter out microscopic particles.

<i>Symbology</i>	
	Double Insulated
	Canadian Standards Association
	Underwriters Laboratories, Inc.
	Volts Alternating Current
	Volts Direct/Alternating Current
	No Load Revolutions per Minute (RPM)
	Amperes

<i>Specifications</i>			
Cat. No.	Volts	Speed No Load RPM	Pad Diameter
5455	120 AC/DC	1750	7"/9"
5460	120 AC	0 - 1750	7"/9"
5540	120 AC	0 - 2800	7"

FUNCTIONAL DESCRIPTION

1. Handle
2. Speed control dial
3. Tool rest
4. Side handle
5. Polishing pad
6. Rubber backing pad
7. Spindle lock button
8. Vents
9. Trigger
10. Cord



GROUNDING



WARNING!

Improperly connecting the grounding wire can result in the risk of electric shock. Check with a qualified electrician if you are in doubt as to whether the outlet is properly grounded. Do not modify the plug provided with the tool. Never remove the grounding prong from the plug. Do not use the tool if the cord or plug is damaged. If damaged, have it repaired by a MILWAUKEE service facility before use. If the plug will not fit the outlet, have a proper outlet installed by a qualified electrician.

Grounded Tools:

Tools with Three Prong Plugs

Tools marked "Grounding Required" have a three wire cord and three prong grounding plug. The plug must be connected to a properly grounded outlet (See Figure A). If the tool should electrically malfunction or break down, grounding provides a low resistance path to carry electricity away from the user, reducing the risk of electric shock.

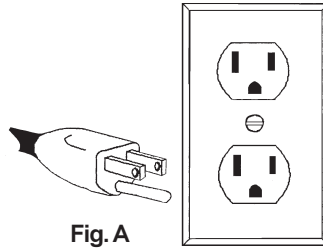


Fig. A

The grounding prong in the plug is connected through the green wire inside the cord to the grounding system in the tool. The green wire in the cord must be the only wire connected to the tool's grounding system and must never be attached to an electrically "live" terminal.

Your tool must be plugged into an appropriate outlet, properly installed and grounded in accordance with all codes and ordinances. The plug and outlet should look like those in Figure A.

Double Insulated Tools:

Tools with Two Prong Plugs

Tools marked "Double Insulated" do not require grounding. They have a special double insulation system which satisfies OSHA requirements and complies with the applicable standards of Underwriters Laboratories, Inc., the Canadian Standard Association and the National Electrical Code. Double Insulated tools may be used in either of the 120 volt outlets shown in Figures B and C.

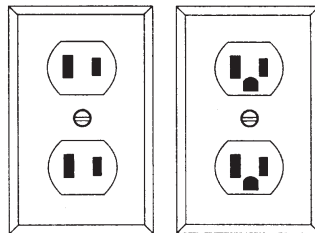


Fig. B

Fig. C

EXTENSION CORDS

Grounded tools require a three wire extension cord. Double insulated tools can use either a two or three wire extension cord. As the distance from the supply outlet increases, you must use a heavier gauge extension cord. Using extension cords with inadequately sized wire causes a serious drop in voltage, resulting in loss of power and possible tool damage. Refer to the table shown to determine the required minimum wire size.

The smaller the gauge number of the wire, the greater the capacity of the cord. For example, a 14 gauge cord can carry a higher current than a 16 gauge cord. When using more than one extension cord to make up the total length, be sure each cord contains at least the minimum wire size required. If you are using one extension cord for more than one tool, add the nameplate amperes and use the sum to determine the required minimum wire size.

Guidelines for Using Extension Cords

- If you are using an extension cord outdoors, be sure it is marked with the suffix "W-A" ("W" in Canada) to indicate that it is acceptable for outdoor use.
- Be sure your extension cord is properly wired and in good electrical condition. Always replace a damaged extension cord or have it repaired by a qualified person before using it.
- Protect your extension cords from sharp objects, excessive heat and damp or wet areas.

Recommended Minimum Wire Gauge for Extension Cords*

Nameplate Amperes	Extension Cord Length					
	25'	50'	75'	100'	150'	200'
0 - 5	16	16	16	14	12	12
5.1 - 8	16	16	14	12	10	--
8.1 - 12	14	14	12	10	--	--
12.1 - 15	12	12	10	10	--	--
15.1 - 20	10	10	10	--	--	--

* Based on limiting the line voltage drop to five volts at 150% of the rated amperes.

READ AND SAVE ALL INSTRUCTIONS FOR FUTURE USE.

TOOL ASSEMBLY

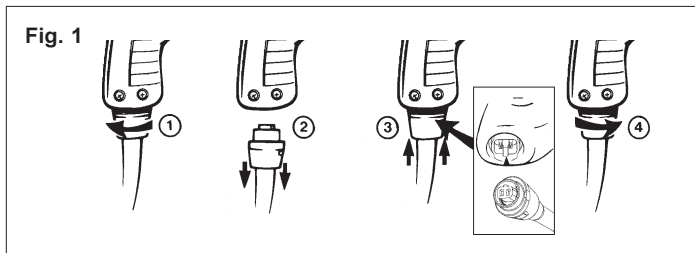


WARNING!

To reduce the risk of injury, always unplug tool before attaching or removing accessories or making adjustments. Use only specifically recommended accessories. Others may be hazardous.

Removing and Replacing Quik-Lok® Cords (Cat. No. 5460 and 5540) (Fig. 1)

MILWAUKEE's exclusive Quik-Lok® Cords provide instant field replacement or substitution.

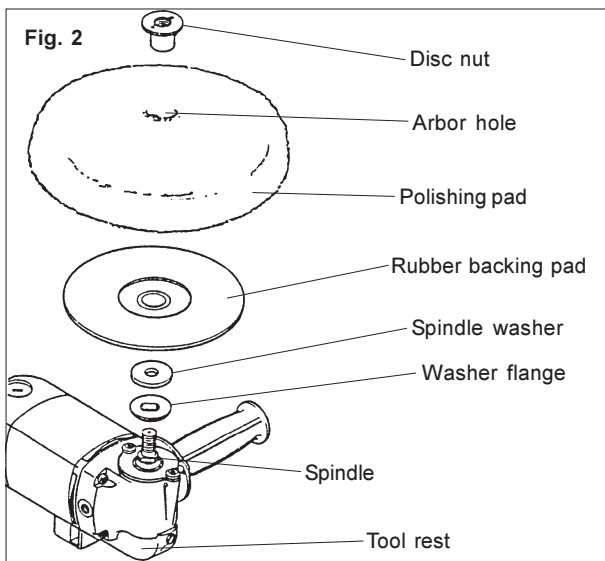


1. To remove the Quik-Lok® Cord, turn the cord nut 1/4 turn to the left and pull it out.
2. To replace the Quik-Lok® Cord, align the connector keyways and push the connector in as far as it will go. Turn the cord nut 1/4 turn to the right to lock.

Polishing Pads (Fig. 2)

MILWAUKEE polishing pads are available in two different materials. 100% lambswool pads are ideal for compounding on non-clearcoat finishes. Wool/polyester blend pads are softer, making them acceptable for clearcoat finishes. Refer to the chart below to select the proper pad for your application.

Backing Pad	Polishing Pad		Application	Recommended Surface	
	Pad Size	Pile Depth			
49-36-2500 (7")	49-36-1450	7-1/2"	1-1/2"	Compounding	Paints, clearcoats and fiberglass
	100% Wool				
	49-36-1455	7"	2"	Compounding	
	100% Wool				
49-36-2200 (9")	49-36-0500	7-1/2"	1-1/2"	High Gloss Finishing	Paints and clearcoats
	Wool/Poly.				
	49-36-1600	9"	1-1/2"	Compounding	
	100% Wool				
49-36-0700	Wool/Poly.	9"	1-1/2"	High Gloss Finishing	Paints and clearcoats

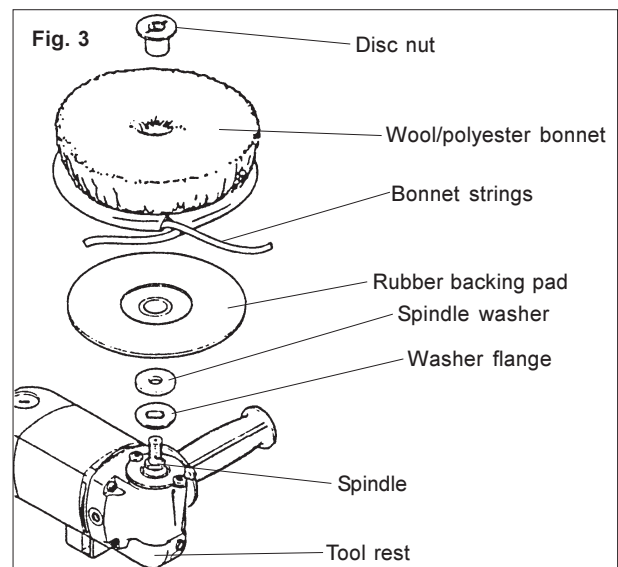


1. To **install** polishing pads, unplug the tool and place it on its tool rest with the spindle upright.
2. Make sure the washer flange and spindle washer are installed on spindle. Then, slide the disc nut through the arbor hole in both the polishing pad and the rubber backing pad, making sure to spread the fibers in the pad so the disc nut seats on pad backing.
3. Push in the spindle lock button (located on left side of gear case) and simultaneously screw the disc nut & polishing pad assembly clockwise onto the spindle. Securely hand-tighten the disc nut and polishing pad.
4. To **remove** the polishing pad, push in the spindle lock button and turn the disc nut counterclockwise to unscrew the assembly.

Wool/Polyester Bonnets (Fig. 3)

Refer to the chart below to select the proper wool/polyester bonnet for your application.

Backing Pad	Bonnets	Application	Recommended Surface
49-36-2500 (7")	48-48-0500 Wool/Poly Bonnet 7"	High Gloss Finishing	Non-clearcoat or clearcoat
49-36-2200 (9")	48-48-1000 Wool/Poly Bonnet 9"	High Gloss Finishing	Non-clearcoat or clearcoat



1. To **install** wool/polyester bonnets, unplug the tool and place it on a tool rest with the spindle upright.
2. Make sure the washer flange and spindle washer are installed on spindle. Then, slide the rubber backing pad onto the spindle.
3. Push in the spindle lock button and screw the disc nut onto the spindle clockwise. Securely hand-tighten the disc nut.
4. Cover the rubber backing pad with the bonnet. Securely tie bonnet strings and tuck the strings into the bonnet so they do not interfere with polishing.
5. To **remove**, untie and remove the bonnet. Push in the spindle lock button and turn the disc nut and rubber backing pad counterclockwise.

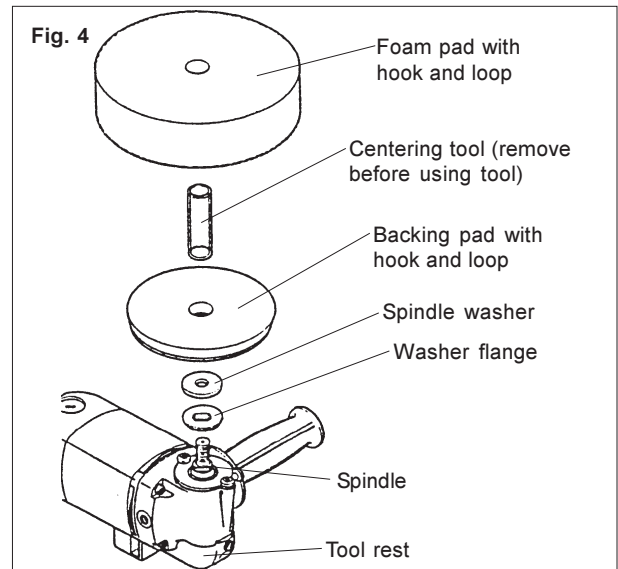
Hook and Loop Pads (Fig. 4)

Hook & loop pads are available in both wool/polyester and foam. Foam pads should be used on slower/low speed dial settings when using polisher Cat. Nos. 5540 and 5460. Foam pads are not recommended for the inexperienced operator.

Foam pad Cat. No. 49-36-1550 is ideal for use with clearcoat finishes and micro-fine rubbing compounds. It will remove light surface scratches, environmental pollutants, wet-sanding scratches and hazy paint.

Foam pad Cat. No. 49-36-0650 is ideal for glazing and finishing on clearcoat finishes. It will remove buffing swirls, hard water spots, carwash brush swirls and mild hazing. A centering tool, Cat. No. 49-67-0130, is supplied with hook and loop backing pads, Cat. No. 49-36-2150, to properly align the backing pad with the polishing pad, providing the proper balance for your polisher. Refer to the chart below to select the right hook & loop pad for your application.

Backing Pad	Hook & Loop Pad	Application	Recommended Surface
49-36-2150	49-36-1500	Compounding	Paints, clearcoats and fiberglass
	100% Wool Pad	High Gloss	
	49-36-0600	Finishing	Paints or clearcoats
	Wool Blend Pad	Compounding	
49-36-1550 Foam Pad	High Gloss	Clearcoat	
49-36-0650 Foam Pad	Finishing		Clearcoat



1. To **install** hook and loop pads, unplug the tool and place it on tool rest with spindle upright.
2. Make sure washer flange and spindle washer are installed on spindle. Then slide hook and loop backing pad onto spindle.
3. Push in the spindle lock button and spin the backing pad clockwise until it is securely hand-tightened.
4. Insert the centering tool (supplied with the backing pad) into the center hole in the hook and loop backing pad. Push desired hook and loop polishing pad over the centering tool so that the polishing pad fastens to the hook and loop backing pad. **Remove centering tool.**
5. To **remove**, "peel" off the polishing pad. Push in the spindle lock button and rotate backing pad counterclockwise to remove.

NOTE: Use side handles for better control and safety.

OPERATION



WARNING!

To reduce the risk of injury, wear safety goggles or glasses with side shields. Unplug the tool before changing accessories or making adjustments.

Starting, Stopping and Controlling Speed (Fig. 5)

Cat. No. 5455: To start the tool, pull the trigger. To stop the tool, release the trigger.

Cat. Nos. 5540 & 5460 feature a dial speed control, which controls the polisher's maximum rotations per minute. The speed will remain variable to the chosen dial setting by use of the trigger switch. Dial settings range from 1 through 5. Lower numbers correspond to lower speeds and higher numbers correspond to higher speeds. Generally, lower speeds are recommended for tight work areas and higher speeds are ideal for large surface areas. Use the setting that best suits your job.



Fig. 5

To control the speed, set the dial to the desired number. Then pull the trigger. Increase or decrease pressure on the trigger to vary the speed. To stop the tool, release the trigger.



WARNING!

To reduce the risk of injury, keep the cord set away from the path of the polisher. Otherwise the cord set may become caught by the pad and wrap around the spindle; this may cut through the cord and expose live wires or make the gear box electrically "live."

Polishing

Always use side handle for proper control. Move the polisher back and forth in long, sweeping strokes. Too much pressure, the wrong angle or improper motion may cause swirl marks or burning.

For detailed polishing instructions, read the instructions provided with your finishes, waxes and polishes.

Preventing Burning Through Paint

It is easy to burn through the paint on a surface. This can occur if you polish at too high a speed or if you allow the polishing pad to stay in one spot for even a short period of time. To prevent burning through paint, use very light pressure and keep the polisher moving constantly, especially when working near edges or where there are abrupt changes in the contour of the work surface.

Be particularly careful when using Cat. No. 5540, which are high RPM polishers and are more likely to burn through paint.



WARNING!

To reduce the risk of injury, follow instructions for preventing snagging. Snagging may cause the tool to kick back and the operator to suddenly lose control of the tool. Always use side handle to maintain control.

Preventing Snagging

Snagging occurs when polishing pads get caught on rough edges of a work surface. Snagging can cause the tool to suddenly "kick back" and it may cause the pad to burn through the paint. To reduce the risk of snagging, use the polisher at low speeds when polishing rough surfaces. For tricky areas such as near trim or between a mirror and window on a car, do not take chances with a polisher. Polish these surfaces by hand.

When using Cat. Nos. 5460 and 5540 with the trigger speed control, release the trigger slightly so the rotation of the pad is slowed.

MAINTENANCE



WARNING!

To reduce the risk of injury, always unplug your tool before performing any maintenance. Never disassemble the tool or try to do any rewiring on the tool's electrical system. Contact a **MILWAUKEE** service facility for ALL repairs.

Maintaining Tools

Keep your tool in good repair by adopting a regular maintenance program. Before use, examine the general condition of your tool. Inspect guards, switches, tool cord set and extension cord for damage. Check for loose screws, misalignment, binding of moving parts, improper mounting, broken parts and any other condition that may affect its safe operation. If abnormal noise or vibration occurs, turn the tool off immediately and have the problem corrected before further use. Do not use a damaged tool. Tag damaged tools "DO NOT USE" until repaired (see "Repairs").

Under normal conditions, relubrication is not necessary until the motor brushes need to be replaced. After six months to one year, depending on use, return your tool to the nearest **MILWAUKEE** service facility for the following:

- Lubrication
- Brush inspection and replacement
- Mechanical inspection and cleaning (gears, spindles, bearings, housing, etc.)
- Electrical inspection (switch, cord, armature, etc.)
- Testing to assure proper mechanical and electrical operation



WARNING!

To reduce the risk of injury, electric shock and damage to the tool, never immerse your tool in liquid or allow a liquid to flow inside the tool.

Cleaning

Clean dust and debris from vents. Keep the tool handles clean, dry and free of oil or grease. Use only mild soap and a damp cloth to clean your tool since certain cleaning agents and solvents are harmful to plastics and other insulated parts. Some of these include: gasoline, turpentine, lacquer thinner, paint thinner, chlorinated cleaning solvents, ammonia and household detergents containing ammonia. Never use flammable or combustible solvents around tools.

Repairs

If your tool is damaged, return the entire tool to the nearest service center.

FIVE YEAR TOOL LIMITED WARRANTY

Every **MILWAUKEE** tool is tested before leaving the factory and is warranted to be free from defects in material and workmanship. **MILWAUKEE** will repair or replace (at **MILWAUKEE**'s discretion), without charge, any tool (including battery chargers) which examination proves to be defective in material or workmanship from five (5) years after the date of purchase. Return the tool and a copy of the purchase receipt or other proof of purchase to a **MILWAUKEE** Factory Service/Sales Support Branch location or **MILWAUKEE** Authorized Service Station, freight pre-paid and insured. This warranty does not cover damage from repairs made or attempted by other than **MILWAUKEE** authorized personnel, abuse, normal wear and tear, lack of maintenance, or accidents.

Battery Packs, Flashlights, and Radios are warranted for one (1) year from the date of purchase.

THE REPAIR AND REPLACEMENT REMEDIES DESCRIBED HEREIN ARE EXCLUSIVE. IN NO EVENT SHALL **MILWAUKEE** BE LIABLE FOR ANY INCIDENTAL, SPECIAL, OR CONSEQUENTIAL DAMAGES, INCLUDING LOSS OF PROFITS.

THIS WARRANTY IS EXCLUSIVE AND IN LIEU OF ALL OTHER WARRANTIES, OR CONDITIONS, WRITTEN OR ORAL, EXPRESSED OR IMPLIED FOR MERCHANTABILITY OR FITNESS FOR PARTICULAR USE OR PURPOSE.

This warranty gives you specific legal rights. You may also have other rights that vary from state to state and province to province. In those states that do not allow the exclusion of implied warranties or limitation of incidental or consequential damages, the above limitations or exclusions may not apply to you. This warranty applies to the United States, Canada, and Mexico only.

ACCESSORIES



WARNING!

To reduce the risk of injury, always unplug the tool before attaching or removing accessories. Use only specifically recommended accessories. Others may be hazardous.

For a complete listing of accessories refer to your *MILWAUKEE* Electric Tool catalog or go on-line to www.milwaukeetool.com. To obtain a catalog, contact your local distributor or a service center.

Hook and Loop Backing Pad

Cat. No. 49-36-2150

Use this pad with hook and loop pads. Includes centering tool Cat. No. 49-67-0130.

Centering Tool

Cat. No. 49-67-0130

Same as supplied with the hook and loop backing pad Cat. No. 49-36-2150. Use the tool as a guide for centering a hook and loop pad onto the backing pad.

Hook and Loop Pads

These pads do not require a disc nut for assembly; change pads in seconds.

Backing Pad	Hook & Loop Pad	Application	Recommended Surface
49-36-2150	49-36-1500	Compounding	Paints, clearcoats and fiberglass
	100% Wool Pad		
	49-36-0600	High Gloss Finishing	Paints or clearcoats
	49-36-1550	Compounding	Clearcoat
	49-36-0650	High Gloss Finishing	Clearcoat

100% Wool Yarn Polishing Pads

These pads are ideal for compounding and blending on older cars with lacquer and enamel finishes.

Cat. No.	Description	Diameter	Depth of Pile	Recommended For
49-36-1450	Curved Wool Pad	7-1/2"	1-1/2"	Compounding and deep cleaning on paints and clearcoats
49-36-1455	Wool Pad	7-1/2"	2"	
49-36-1600	Wool Pad	9"	1-1/2"	

Wool Blend Pads and Bonnets

These pads and bonnets are recommended for high gloss finishing on clearcoat or non-clearcoat surfaces.

Cat. No.	Description	Diameter	Depth of Pile	Recommended For
49-36-0500	Curved Pad	7-1/2"	1-1/2"	High gloss finish on paints and clearcoats
49-36-0700	Wool Blend Pad	9"	1-1/2"	
48-48-0500	Wool Blend Bonnet	7"	1-1/2"	
48-48-1000	Wool Blend Bonnet	9"	1-1/2"	

Molded Rubber Backing Pads

7" Diameter

Cat. No. 49-36-2500

8-1/2" Diameter

Cat. No. 49-36-0220

Disc Nut

Cat. No. 49-40-0390

Spindle Washer

Cat. No. 45-88-8465

Quik-Lok Cord Sets

Cat. No. 48-76-5010 (10' cord)

Cat. No. 48-76-5025 (25' cord)



AVERTISSEMENT!

LIRE SOIGNEUSEMENT TOUTES LES INSTRUCTIONS

Le non respect des instructions ci-après peut entraîner des chocs électriques, des incendies et/ou des blessures graves. Le terme «outil électrique» figurant dans les avertissements ci-dessous renvoie à l'outil électrique à alimentation par le réseau (à cordon) ou par batterie (sans fil).

CONSERVER CES INSTRUCTIONS

SÉCURITÉ DU LIEU DE TRAVAIL

1. **Maintenir la zone de travail propre et bien éclairée.** Les zones encombrées ou mal éclairées sont favorables aux accidents.
2. **Ne pas utiliser d'outil électrique dans une atmosphère explosive, telle qu'en en présence de liquides, de gaz ou de poussières inflammables.** Les outils électriques génèrent des étincelles qui peuvent enflammer les poussières ou les fumées.
3. **Tenir les enfants et les personnes non autorisées à l'écart pendant le fonctionnement d'un outil électrique.** Un manque d'attention de l'opérateur risque de lui faire perdre le contrôle de l'outil.

SÉCURITÉ ÉLECTRIQUE

4. **La fiche de l'outil électrique doit correspondre à la prise d'alimentation. Ne jamais modifier la fiche d'une manière quelconque. Ne pas utiliser d'adaptateur avec les outils électriques mis à la terre (à la masse).** Des fiches non modifiées et des prises d'alimentation assorties réduisent le risque de choc électrique.
5. **Éviter tout contact corporel avec des surfaces reliées à la masse ou à la terre telles que tuyaux, radiateurs, cuisinières et réfrigérateurs.** Un risque de choc électrique plus élevé existe si le corps est relié à la masse ou à la terre.
6. **Ne pas exposer les outils électriques à la pluie ou à l'humidité.** Le risque de choc électrique augmente si de l'eau s'infiltré dans un outil électrique.
7. **Prendre soin du cordon. Ne jamais utiliser le cordon pour transporter, tirer ou débrancher l'outil électrique. Tenir le cordon à l'écart de la chaleur, des huiles, des arêtes coupantes ou des pièces en mouvement.** Un cordon endommagé ou emmêlé présente un risque accru de choc électrique.
8. **Se procurer un cordon d'alimentation approprié en cas d'utilisation d'un outil électrique à l'extérieur.** L'utilisation d'un cordon d'alimentation pour usage extérieur réduit le risque de choc électrique.

SÉCURITÉ INDIVIDUELLE

9. **Être sur ses gardes, être attentif et faire preuve de bon sens en utilisant un outil électrique. Ne pas utiliser un outil électrique en cas de fatigue ou sous l'influence de drogues, d'alcool ou de médicaments.** Un instant d'inattention lors de l'utilisation d'un outil électrique peut entraîner des blessures graves.
10. **Utiliser un équipement de sécurité. Toujours porter des lunettes de protection.** Un équipement de sécurité comprenant masque anti-poussière, chaussures de sécurité anti-dérapantes, casque ou dispositif de protection anti-bruit peut, dans les circonstances appropriées, réduire le risque de blessure.
11. **Éviter tout démarrage accidentel de l'outil. S'assurer que le commutateur est en position OFF (Arrêt) avant de brancher l'outil.** Le port de l'outil avec un doigt sur le commutateur ou son branchement avec le commutateur en position ON (Marche) sont favorables aux accidents.
12. **Retirer toute clé de réglage avant de mettre l'outil sous tension.** Une clé laissée attachée sur une pièce mobile de l'outil électrique peut entraîner des blessures.

13. **Ne pas travailler à bout de bras. Bien garder un bon équilibre à tout instant.** Ceci permet de mieux préserver la maîtrise de l'outil électrique dans des situations imprévues.
14. **Porter des vêtements adéquats. Ne pas porter de vêtements amples ni de bijoux. Ne pas approcher les cheveux, vêtements et gants des pièces en mouvement.** Les vêtements amples, les bijoux ou les cheveux longs risquent d'être happés par les pièces en mouvement.
15. **Si des dispositifs sont prévus pour l'extraction et la récupération des poussières, vérifier qu'ils sont connectés et utilisés correctement.** L'utilisation de ces dispositifs peut réduire les risques liés aux poussières.

UTILISATION ET ENTRETIEN DE L'OUTIL ÉLECTRIQUE

16. **Ne pas forcer l'outil électrique. Utiliser l'outil électrique approprié à l'application considérée.** L'outil électrique adapté au projet considéré produira de meilleurs résultats, dans des conditions de sécurité meilleures, à la vitesse pour laquelle il a été conçu.
17. **Ne pas utiliser l'outil électrique si le commutateur ne le met pas sous ou hors tension.** Tout outil électrique dont le commutateur de marche-arrêt est inopérant est dangereux et doit être réparé.
18. **Débrancher la fiche de la prise d'alimentation et/ou la batterie de l'outil électrique avant d'effectuer des réglages, de changer d'accessoires ou de ranger l'outil.** De telles mesures de sécurité préventive réduisent le risque de mettre l'outil en marche accidentellement.
19. **Ranger les outils électriques inutilisés hors de la portée des enfants et ne pas laisser des personnes qui connaissent mal les outils électriques ou ces instructions utiliser ces outils.** Les outils électriques sont dangereux dans les mains d'utilisateurs non formés à leur usage.
20. **Entretien des outils électriques. S'assurer de l'absence de tout désalignement ou de grippage des pièces mobiles, de toute rupture de pièce ou de toute autre condition qui pourrait affecter le bon fonctionnement de l'outil électrique. En cas de dommages, faire réparer l'outil avant de l'utiliser de nouveau.** Les outils électriques mal entretenus sont à la source de nombreux accidents.
21. **Garder les outils de coupe affûtés et propres.** Les outils de coupe correctement entretenus et bien affûtés risquent moins de se gripper et sont plus faciles à manier.
22. **Utiliser cet outil électrique, les accessoires, les mèches, etc. conformément à ces instructions et de la façon prévue pour ce type particulier d'outil électrique, tout en prenant en compte les conditions de travail et le type de projet considérés.** L'utilisation de cet outil électrique pour un usage autre que l'usage prévu peut créer des situations dangereuses.

ENTRETIEN






23. **Faire effectuer l'entretien de l'outil électrique par un technicien qualifié qui n'utilisera que des pièces de rechange identiques.** La sécurité d'utilisation de l'outil en sera préservée.

RÈGLES DE SÉCURITÉ PARTICULIÈRE

1. **Tenir l'outil par les surfaces de prise isolées si, au cours des travaux, l'outil de coupe risque d'entrer en contact avec des fils cachés ou avec son propre cordon.** Le contact avec un fil sous tension met les parties métalliques exposées de l'outil sous tension, ce qui infligera un choc électrique à l'opérateur.
2. **Entretenez les étiquettes et marqués di fabricant.** Les indications qu'elles contiennent sont précieuses. Si elles deviennent illisibles ou se détachent, faites-les remplacer gratuitement à un centre de service **MILWAUKEE** accrédité.
3. **AVERTISSEMENT!** La poussière degage par perçage, sclage, perçage et autres travaux de construction contient des substances chimiques reconnues comme pouvant causer le cancer, des malformations congénitales ou d'autres troubles de reproduction. Voici quelques exemples de telles substances :
 - Le plomb contenu dans la peinture au plomb.
 - Le silice cristallin contenu dans la brique, le béton et divers produits de maçonnerie.
 - L'arsenic et le chrome servant au traitement chimique du bois.

Les risque associés à l'exposition à ces substances varient, dépendant de la fréquence des travaux. Afin de minimiser l'exposition à ces substances chimiques, assurez-vous de travailler dans un endroit bien aéré et d'utiliser de l'équipement de sécurité tel un masque antipoussière spécifiquement conçu pour la filtration de particules microscopiques.

Pictographie

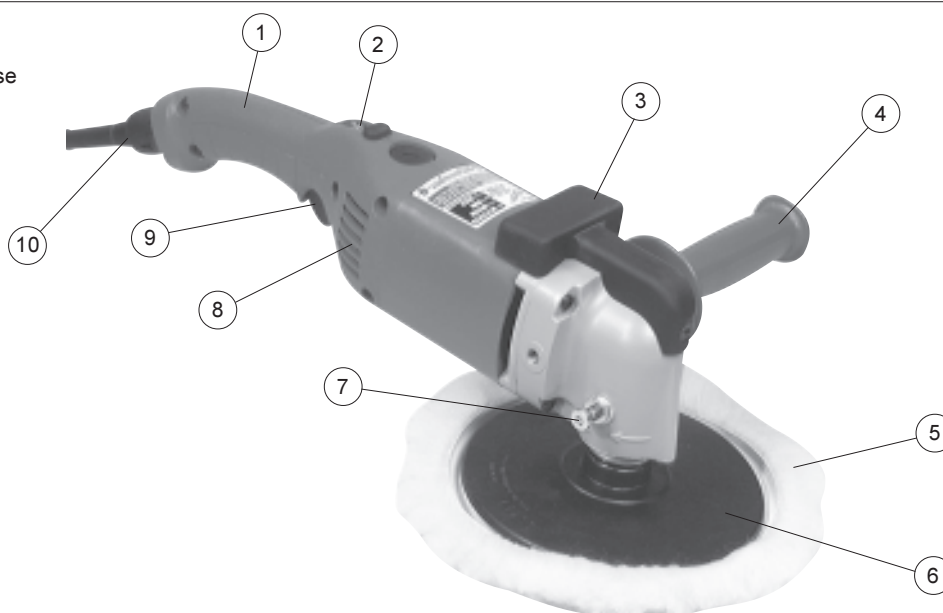
	Double Isolation
	l'Association canadienne de normalisation (ACNOR)
	Underwriters Laboratories, Inc.
	Couvant alternatif
	Couvant alternatif ou direct
$n_{o} \underline{\text{xxxx}} / \text{min.}$	Tours-minute à vide (RPM)
A	Ampères

Spécifications

No de Cat.	Volts	Rotation à Vide (T/Min.)	Diam./Disque
5455	120 ca/cd	1 750	178 mm / 229 mm (7"/9")
5460	120 ca	0 - 1 750	178 mm / 229 mm (7"/9")
5540	120 ca	0 - 2 800	178 mm (7")

DESCRIPTION FONCTIONNELLE

1. Poignée
2. Indicateur de réglage de vitesse
3. Appui de l'outil
4. Poignée latérale
5. Tampon polisseur
6. Disque d'appui en caoutchouc
7. Bouton de verrouillage
8. Évents
9. Détente
10. Cordon



MISE À LA TERRE



Si le fil de mise à la terre est incorrectement raccordé, il peut en résulter des risques de choc électrique. Si vous n'êtes pas certain que la prise dont vous vous servez est correctement mise à la terre, faites-la vérifier par un électricien. N'altérez pas la fiche du cordon de l'outil. N'enlevez pas de la fiche, la dent qui sert à la mise à la terre. N'employez pas l'outil si le cordon ou la fiche sont en mauvais état. Si tel est le cas, faites-les réparer dans un centre-service **MILWAUKEE** accrédité avant de vous en servir. Si la fiche du cordon ne s'adapte pas à la prise, faites remplacer la prise par un électricien.

Outils mis à la terre : Outils pourvus d'une fiche de cordon à trois dents

Les outils marqués « Mise à la terre requise » sont pourvus d'un cordon à trois fils dont la fiche a trois dents. La fiche du cordon doit être branchée sur une prise correctement mise à la terre (voir Figure A). De cette façon, si une défectuosité dans le circuit électrique de l'outil survient, le relais à la terre fournira un conducteur à faible résistance pour décharger le courant et protéger l'utilisateur contre les risques de choc électrique.

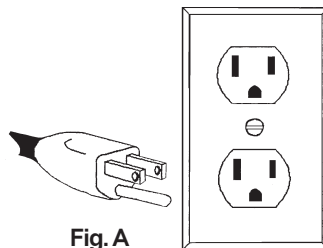


Fig. A

La dent de mise à la terre de la fiche est reliée au système de mise à la terre de l'outil via le fil vert du cordon. Le fil vert du cordon doit être le seul fil raccordé à un bout au système de mise à la terre de l'outil et son autre extrémité ne doit jamais être raccordée à une borne sous tension électrique.

Votre outil doit être branché sur une prise appropriée, correctement installée et mise à la terre conformément aux codes et ordonnances en vigueur. La fiche du cordon et la prise de courant doivent être semblables à celles de la Figure A.

Outils à double isolation : Outils pourvus d'une fiche de cordon à deux dents

Les outils marqués « Double Isolation » n'ont pas besoin d'être raccordés à la terre. Ils sont pourvus d'une double isolation conforme aux exigences de l'OSHA et satisfait aux normes de l'Underwriters Laboratories, Inc., de l'Association canadienne de normalisation (ACNOR) et du « National Electrical Code » (code national de l'électricité). Les outils à double isolation peuvent être branchés sur n'importe laquelle des prises à 120 volt illustrées ci-contre Figure B et C.

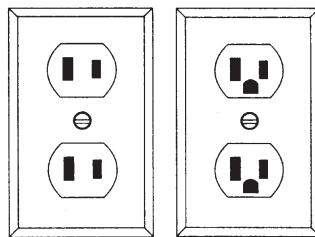


Fig. B

Fig. C

CORDONS DE RALLONGE

Si l'emploi d'un cordon de rallonge est nécessaire, un cordon à trois fils doit être employé pour les outils mis à la terre. Pour les outils à double isolation, on peut employer indifféremment un cordon de rallonge à deux ou trois fils. Plus la longueur du cordon entre l'outil et la prise de courant est grande, plus le calibre du cordon doit être élevé. L'utilisation d'un cordon de rallonge incorrectement calibré entraîne une chute de voltage résultant en une perte de puissance qui risque de détériorer l'outil. Reportez-vous au tableau ci-contre pour déterminer le calibre minimum du cordon.

Moins le calibre du fil est élevé, plus sa conductivité est bonne. Par exemple, un cordon de calibre 14 a une meilleure conductivité qu'un cordon de calibre 16. Lorsque vous utilisez plus d'une rallonge pour couvrir la distance, assurez-vous que chaque cordon possède le calibre minimum requis. Si vous utilisez un seul cordon pour brancher plusieurs outils, additionnez le chiffre d'intensité (ampères) inscrit sur la fiche signalétique de chaque outil pour obtenir le calibre minimal requis pour le cordon.

Directives pour l'emploi des cordons de rallonge

- Si vous utilisez une rallonge à l'extérieur, assurez-vous qu'elle est marquée des sigles « W-A » (« W » au Canada) indiquant qu'elle est adéquate pour usage extérieur.
- Assurez-vous que le cordon de rallonge est correctement câblé et en bonne condition. Remplacez tout cordon de rallonge détérioré ou faites-le remettre en état par une personne compétente avant de vous en servir.
- Tenez votre cordon de rallonge à l'écart des objets ranchants, des sources de grande chaleur et des endroits humides ou mouillés.

Calibres minimaux recommandés pour les cordons de rallonge*

Fiche signalétique Ampères	Longueur du cordon de rallonge (m)					
	7,6	15,2	22,8	30,4	45,7	60,9
0 - 5,0	16	16	16	14	12	12
5,1 - 8,0	16	16	14	12	10	--
8,1 - 12,0	14	14	12	10	--	--
12,1 - 15,0	12	12	10	10	--	--
15,1 - 20,0	10	10	10	--	--	--

* Basé sur une chute de voltage limite de 5 volts à 150% de l'intensité moyenne de courant.

**LISEZ ATTENTIVEMENT CES INSTRUCTIONS
ET CONSERVEZ-LES POUR LES
CONSULTER AU BESOIN.**

MONTAGE DE L'OUTIL

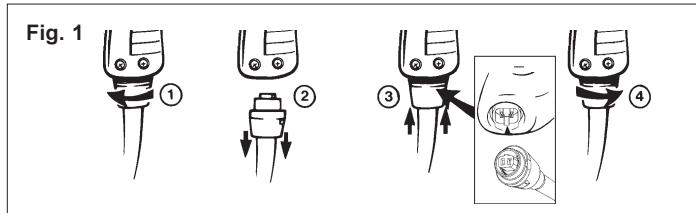


AVERTISSEMENT!

Pour minimiser les risques de blessures, débranchez toujours l'outil avant d'y faire des réglages, d'y attacher ou d'en enlever les accessoires. L'usage d'accessoires autres que ceux qui sont spécifiquement recommandés pour cet outil peut comporter des risques.

Retrait et remplacement du cordon Quik-Lok® (Fig. 1)

Les cordons Quik-Lok® exclusifs à MILWAUKEE permettent d'installer le cordon ou de le remplacer sur place en un tournemain.

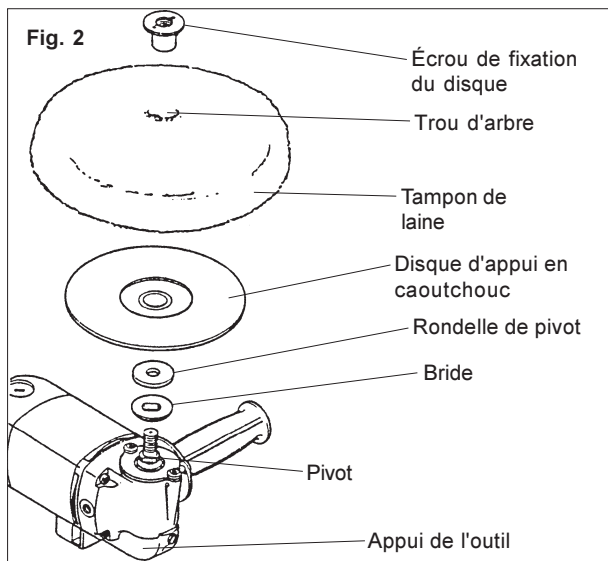


1. Pour retirer le cordon Quik-Lok®, tournez l'écrou du cordon 1/4 de tour vers la gauche et retirez-le.
2. Pour remettre le cordon en place, alignez les rainures à clavettes du connecteur et poussez le connecteur aussi loin que possible. Tournez ensuite l'écrou du cordon 1/4 de tour vers la droite pour le verrouiller.

Tampons en laine d'agneau (Fig. 2)

Les tampons polisseurs MILWAUKEE sont offerts en deux textures différentes. Les tampons à 100% de laine d'agneau sont excellents pour polir les couches de fini non lustré. Les tampons faits d'un mélange de laine et polyester sont plus doux et plus appropriés aux finis lustrés. Reportez-vous au tableau ci-dessous pour le choix du genre de tampons convenant à vos besoins.

Disque D'Appui	Tampons en laine d'agneau			Application	Surface Recommandée
		Diam.	Épais.		
49-36-2500 178 mm (7")	49-36-1450	190mm (7-1/2")	38mm (1-1/2")	Polissage	Non lustrée
	100% Laine				
	49-36-1455	178mm (7")	50mm (2")	Polissage	Non lustrée ou lustrée
	100% Laine				
49-36-2200 229 mm (9")	49-36-0500	190mm (7-1/2")	38mm (1-1/2")	Lustrage	Non lustrée ou lustrée
	Laine/poly.				
	49-36-1600	229mm (9")	38mm (1-1/2")	Polissage	Non lustrée
	100% Laine				
	49-36-0700	229mm (9")	38mm (1-1/2")	Lustrage	Non lustrée ou lustrée
	Laine/poly.				

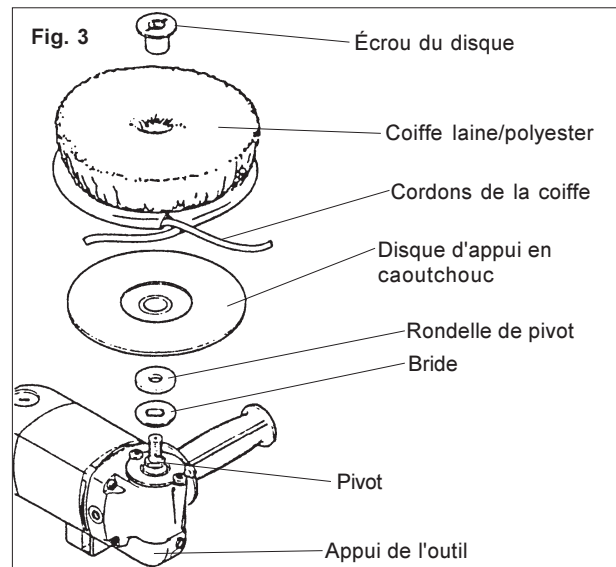


1. Pour installer les tampons de laine d'agneau, débranchez l'outil et renversez-le sur son appui, le pivot en haut.
2. Assurez-vous que la bride et la rondelle de caoutchouc sont en place sur le pivot. Glissez ensuite l'écrou de fixation du disque d'appui dans le trou d'arbre du tampon de laine et du disque d'appui en veillant à ce que les fibres ne nuisent pas à sa stabilité sur l'endos du tampon.
3. Enfoncez le bouton de verrouillage du pivot (à la gauche de la boîte d'engrenages) et en même temps, vissez l'écrou de fixation et le tampon de laine ensemble sur le pivot et serrez-les à la main.
4. Pour retirer le tampon, enfoncez le bouton de verrouillage du pivot et dévissez l'écrou du disque d'appui en sens inverse-horaire.

Coiffes en laine/polyester (Fig. 3)

Consultez le tableau ci-dessous pour le choix d'une coiffe en laine/polyester qui convienne à votre tâche.

Disque D'Appui	Coiffe en laine/polyester	Application	Surface Recommandée
49-36-2500 180 mm (7")	48-48-0500 coiffe laine/polyester 178 mm (7")	Lustrage	Non lustrée ou lustrée
49-36-2200 230 mm (9")	48-48-1000 coiffe laine/polyester 229 mm (9")	Lustrage	Non lustrée ou lustrée



1. Pour installer la coiffe en laine/polyester, débranchez l'outil et posez-le sur son appui, le pivot vers le haut.
2. Assurez-vous que la bride et la rondelle de caoutchouc sont en place sur le pivot et ensuite, glissez le disque d'appui en caoutchouc sur le pivot.
3. Enfoncez le bouton de verrouillage du pivot et vissez l'écrou de fixation en sens horaire. Serrez-le en place à la main.
4. Couvrez entièrement le disque d'appui en caoutchouc avec la coiffe à polir. Liez solidement les cordons de la coiffe et passez-les sous la coiffe pour éviter qu'ils ne nuisent à votre travail.
5. Pour retirer la coiffe, déliez les cordons et enlevez-la. Enfoncez le bouton de verrouillage du pivot. Dévissez l'écrou de fixation et le disque d'appui en caoutchouc en les faisant tourner en sens inverse-horaire.

Tampons auto-adhérents "Hook and Loop" (Fig. 4)

Les tampons auto-adhérents "Hook and Loop" sont offerts en laine/polyester et en mousse. Ils ne sont pas à conseiller non plus pour l'utilisateur inexpérimenté.

Le tampon de mousse no de cat. 49-36-1550 est idéal pour les finis lustrés et les polis super fins. Il sert à faire disparaître de la surface les égratignures de moyenne taille, les taches de pollution, la peinture ternie et les marques laissées par le ponçage à l'eau.

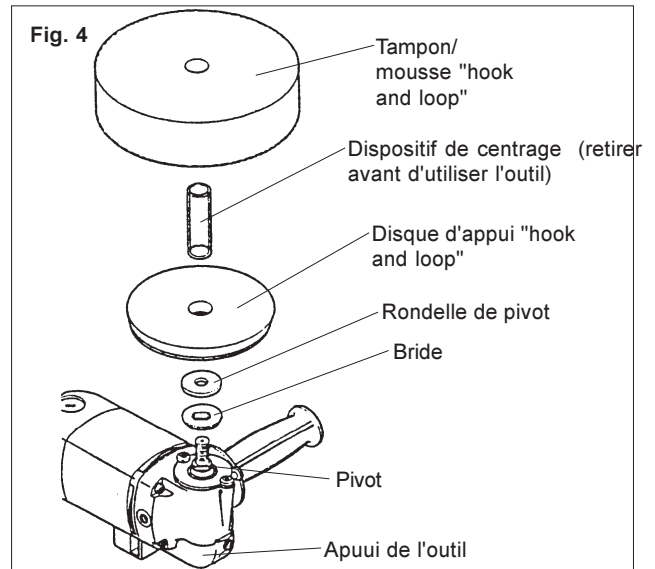
Le tampon de mousse no de cat. 49-36-0650 est excellent pour glacer les finis lustrés, faire disparaître les traits de polissage, les taches d'eau, les ternissures superficielles et les marques causées par les brosses des lave-autos.

Reportez-vous au tableau ci-dessous pour le choix d'un tampon "Hook and Loop" qui convienne à vos besoins. Un dispositif de centrage, no de cat. 49-67-0130, accompagne le disque d'appui (no de cat. 49-36-2150) du tampon "Hook and Loop" afin d'en assurer l'alignement sur le tampon polisseur et l'équilibre de la polisseuse lorsqu'elle est en marche.

1. Pour **installer** les tampons "Hook and Loop", débranchez l'outil et posez-le sur son appui, le pivot pointant vers le haut.
2. Assurez-vous que la bride et la rondelle de caoutchouc sont en place sur le pivot. Glissez le disque d'appui "Hook and Loop" sur le pivot.
3. Enfoncez le bouton de verrouillage du pivot et faites tourner le disque d'appui en sens horaire et serrez-le fermement à la main.
4. Insérez le dispositif de centrage (qui accompagne le disque d'appui) dans le trou au centre du tampon "Hook and Loop". Abaissez le tampon "hook and Loop" le long du dispositif de centrage et fixez-le au disque d'appui "Hook and Loop". **Ensuite, retirez le dispositif de centrage.**
5. Pour **retirer** le tampon polisseur, décapez-le. Enfoncez le bouton de verrouillage du pivot et dévissez le disque d'appui en le faisant tourner en sens inverse-horaire.

N.B. Pour un maniement ferme et sécuritaire de l'outil, utilisez la poignée latérale.

Disque D'Appui	Tampon "Hook and Loop"	Application	Surface Recommandée
49-36-2150	49-36-1500 Tampon laine/poly.	Polissage	Non lustrée
	49-36-0600 Tamponlaine/poly.	Lustrage	Non lustrée et lustrée
	49-36-1550 Tampon mousse	Polissage	Lustrée
	49-36-0650 Tampon mousse	Lustrage	Lustrée



MANIEMENT



Pour minimiser les risques de blessures, portez des lunettes à coques latérales. Débranchez l'outil avant de changer les accessoires ou d'effectuer des réglages.

Démarrage, arrêt et contrôle de la rotation (Fig. 5)

No de cat. 5455: Pour mettre l'outil en marche, appuyez sur la détente. Pour l'arrêter, relâchez-la.

Nos de cat. 5540 et 5460 sont pourvus d'un contrôle de rotation à cadran qui permet de régler la vitesse maximale de rotation (t/min.) de la polisseuse. La rotation peut être variée par la commande à détente sans jamais excéder la vitesse maximale réglée sur le cadran. Les positions de réglage vont de 1 à 5. Les chiffres les plus bas correspondent aux plus basses vitesses de rotation tandis que les chiffres les plus hauts correspondent aux vitesses plus grandes. Généralement, on utilise les vitesses de rotation plus basses pour polir les petites surfaces et les plus hautes vitesses pour les surfaces plus étendues. Choisissez le réglage de rotation le plus approprié à votre tâche.



Pour contrôler la vitesse de rotation, réglez le cotrôle à cadran à la position désirée. Ensuite, appuyez sur la détente en augmentant ou en diminuant la pression du doigt pour varier la vitesse de rotation. Pour arrêter l'outil, relâchez la détente.



Pour minimiser les riques de blessures, écartez le cordon du trajet de la polisseuse. Autrement, le cordon pourra être happé par le tampon. En s'enroulant autour du pivot, l'isolation du cordon pourra se briser et les fils électriques se dénuder, exposant la boîte d'engrenages à la tension électrique.

Polissage

Utilisez toujours la poignée latérale pour maîtriser correctement l'outil. Déplacez la polisseuse en larges mouvements de va-et-vient. Une pression trop grande, un mauvais angle ou des mouvements désordonnés pourront laisser des marques de polissage.

Consultez les instructions détaillées qui accompagnent les produits de cirage, finition et polissage que vous employez.

Prévention des brûlures de la surface peinte

Les surfaces peintes sont sensibles aux brûlures de polissage. Cela peut se produire si vous polissez à une trop grande vitesse ou si vous maintenez le tampon polisseur au même endroit trop longtemps. Pour éviter de brûler la peinture, n'appuyez pas trop sur la polisseuse et déplacez-la constamment, surtout lorsque vous polissez les contours d'un objet ou d'une surface.

Soyez particulièrement prudent lorsque vous utilisez la polisseuse no de cat. 5540 dont la vitesse de rotation très élevée peut occasionner des brûlures de surfaces peintes.



AVERTISSEMENT!

Pour minimiser les risques de blessures, suivez les instructions relatives à la prévention du grippage. Lorsqu'il survient, le grippage peut provoquer un brusque mouvement de recul pouvant entraîner la perte de contrôle de l'outil par l'utilisateur. Employez toujours la poignée latérale afin d'assurer une meilleure maîtrise de l'outil.

Prévention du grippage

Le grippage peut survenir si le tampon de la polisseuse se prend dans les aspérités de la surface. Lorsque cela arrive, il peut se produire un brusque mouvement de recul de l'outil pouvant causer une brûlure du fini. Pour minimiser les risques de grippage, maniez la polisseuse à basse

vitesse lorsque vous êtes en présence d'une surface rugueuse. Pour les endroits difficiles d'accès, près des garnitures, miroirs ou portières de l'auto, par exemple, ne prenez pas de risques avec la polisseuse, finissez-les à la main.

Lorsque vous utilisez la polisseuse no de cat. 5460 et 5540 à commande de vitesse variable, relâchez légèrement la détente pour diminuer la vitesse de rotation.

Pour éviter le grippage, lorsque vous employez les polisseuses no de cat. 5455 sans commande variable à détente, il est préférable d'utiliser la technique de "marche par inertie". Cette technique consiste à faire démarrer le moteur pour quelques secondes pour ensuite couper le contact et appliquer le tampon polisseur sur la surface alors que l'outil tourne sur son axe. De cette façon, la rotation du tampon est moins rapide que lorsqu'il est mû par le moteur. Cette technique est recommandée pour les endroits de la surface qui présentent des fissures ou des cloques.

ACCESSOIRES



AVERTISSEMENT!

Pour minimiser les risques de blessures, débranchez toujours l'outil avant d'y installer ou d'en enlever les accessoires. L'emploi d'accessoires autres que ceux qui sont expressément recommandés pour cet outil peut présenter des risques.

Pour une liste complète des accessoires, prière de se reporter au catalogue MILWAUKEE Electric Tool ou visiter le site internet www.milwaukeetool.com. Pour obtenir un catalogue, il suffit de contacter votre distributeur local ou l'un des centres-service.

Disque d'appui « Hook and Loop »

No de cat. 49-36-2150

Utilisez ce disque d'appui avec les tampons auto-adhérents « Hook and Loop ». Le disque est accompagné du dispositif de centrage no de cat. 49-57-0130.

Dispositif de centrage

No de cat. 49-67-0130

Même outil que celui qui accompagne le disque d'appui « Hook and Loop » no de cat. 49-36-2150. Servez-vous de cet outil pour centrer le tampon auto-adhérent « Hook and Loop » sur le disque d'appui.

Tampons auto-adhérents « Hook and Loop »

Ces tampons ne requièrent pas l'emploi d'un écrou de disque, ils s'installent en un tournemain.

Disque d'appui	Tampon Auto-Adhérent	Application	Recommandé Pour
49-36-2150	49-36-1500 Tampon auto-adhérent 100% laine	Polissage	Peinture, finis clairs, fibre de verre
	49-36-0600	Lustrage	Peinture, finis clairs.
	49-36-1550 Tampon-mousse auto-adhérent	Polissage	Finis clairs
	49-36-0650 Tampon-mousse auto-adhérent	Lustrage	Finis clairs

Tampons polisseurs 100% laine

Ces tampons sont excellents pour le cirage et le polissage des vieilles autos à fini d'émail et de laque.

No de cat.	Description	Diamètre	Épaisseur de duvet	Recommandé Pour
49-36-1450	tampon incurvé en laine	190 mm (7-1/2")	38 mm (1-1/2")	Polissage et nettoyage des surfaces peintes et des finis clairs
49-36-1455	tampon en laine	190 mm (7-1/2")	50 mm (2")	
49-36-1600	tampon en laine	229 mm (9")	38 mm (1-1/2")	

Tampons et coiffes en mélange de laine

Tampons et coiffes recommandés pour le lustrage des finis clairs et autres.

No de cat.	Description	Diamètre	Épaisseur de duvet	Recommandé Pour
49-36-0500	tampon incurvé	190 mm (7-1/2")	38 mm (1-1/2")	Lustrage de surfaces peintes et finis clairs
49-36-0700	tampon/mélange de laine	229 mm (9")	38 mm (1-1/2")	
48-48-0500	tampon/mélange de laine	178 mm (7")	38 mm (1-1/2")	
48-48-1000	tampon/mélange de laine	229 mm (9")	38 mm (1-1/2")	

Disques d'appui/caoutchouc moulé

Diamètre 178 mm (7")

No de cat. 49-36-2500

Diamètre 216 mm (8-1/2")

No de cat. 49-36-0220

Écrou de disque

No de cat. 49-40-0390

Rondelle de pivot

No de cat. 49-88-8465

Cordons Quik-Lok

Cordon 3 m (10') No de cat. 48-76-5010

Cordon 7,6 m (25') No de cat. 48-76-5025

MAINTENANCE



AVERTISSEMENT!

Pour minimiser les risques de blessures, débranchez toujours l'outil avant d'y effectuer des travaux de maintenance. Ne faites pas vous-même le démontage de l'outil ni le rebobinage du système électrique. Consultez un centre de service **MILWAUKEE** accrédité pour toutes les réparations.

Entretien de l'outil

Gardez l'outil en bon état en adoptant un programme d'entretien ponctuel. Avant de vous en servir, examinez son état en général. Inspectez-en la garde, interrupteur, cordon et cordon de rallonge pour en déceler les défauts. Vérifiez le serrage des vis, l'alignement et le jeu des pièces mobiles, les vices de montage, bris de pièces et toute autre condition pouvant en rendre le fonctionnement dangereux. Si un bruit ou une vibration insolite survient, arrêtez immédiatement l'outil et faites-le vérifier avant de vous en servir de nouveau. N'utilisez pas un outil défectueux. Fixez-y une étiquette marquée « HORS D'USAGE » jusqu'à ce qu'il soit réparé (voir « Réparations »).

Normalement, il ne sera pas nécessaire de lubrifier l'outil avant que le temps ne soit venu de remplacer les balais. Après une période pouvant aller de 6 mois à un an, selon l'usage, retournez votre outil à un centre de service **MILWAUKEE** accrédité pour obtenir les services suivants :

- Lubrification
- Inspection et remplacement des balais
- Inspection et nettoyage de la mécanique (engrenages, pivots, coussinets, boîtier etc.)
- Inspection électrique (interrupteur, cordon, induit etc.)
- Vérification du fonctionnement électromécanique



AVERTISSEMENT!

Pour minimiser les risques de blessures, choc électrique et dommage à l'outil, n'immergez jamais l'outil et ne laissez pas de liquide s'y infiltrer.

Nettoyage

Débarrassez les événements des débris et de la poussière. Gardez les poignées de l'outil propres, à sec et exemptes d'huile ou de graisse. Le nettoyage de l'outil doit se faire avec un linge humide et un savon doux. Certains nettoyants tels l'essence, la térébenthine, les diluants à laque ou à peinture, les solvants chlorés, l'ammoniaque et les détergents d'usage domestique qui en contiennent pourraient détériorer le plastique et l'isolation des pièces. Ne laissez jamais de solvants inflammables ou combustibles auprès des outils.

Réparations

Si votre outil est endommagé, retourne l'outil entier au centre de maintenance le plus proche.

GARANTIE LIMITÉE DE L'OUTIL DE CINQ ANS

Tous les outils **MILWAUKEE** sont testés avant de quitter l'usine et sont garantis exempts de vice de matériau ou de fabrication. **MILWAUKEE** réparera ou remplacera (à la discrétion de **MILWAUKEE**), sans frais, tout outil (y compris les chargeurs de batterie) dont l'examen démontre le caractère défectueux du matériau ou de la fabrication dans les cinq (5) ans suivant la date d'achat. Retourner l'outil et une copie de la facture ou de toute autre preuve d'achat à une branche Entretien usine/Assistance des ventes de l'établissement **MILWAUKEE** ou à un centre d'entretien agréé par **MILWAUKEE**, en port payé et assuré. Cette garantie ne couvre pas les dommages causés par les réparations ou les tentatives de réparation par quiconque autre que le personnel agréé par **MILWAUKEE**, les utilisations abusives, l'usure normale, les carences d'entretien ou les accidents.

Les batteries, les lampes de poche et les radios sont garanties pour un (1) an à partir de la date d'achat.

LES SOLUTIONS DE RÉPARATION ET DE REMPLACEMENT DÉCRITES PAR LES PRÉSENTES SONT EXCLUSIVES. **MILWAUKEE** NE SAURAIT ÊTRE RESPONSABLE, EN AUCUNE CIRCONSTANCE, DES DOMMAGES ACCESSOIRES, SPÉCIAUX OU INDIRECTS, Y COMPRIS LES MANQUES À GAGNER.

CETTE GARANTIE EST EXCLUSIVE ET REMPLACE TOUTES LES AUTRES GARANTIES OU CONDITIONS, ÉCRITES OU ORALES, EXPRESSES OU TACITES DE QUALITÉ MARCHANDE OU D'ADAPTATION À UNE UTILISATION OU UNE FIN PARTICULIÈRE.

Cette garantie vous donne des droits particuliers. Vous pouvez aussi bénéficier d'autres droits variant d'un état à un autre et d'une province à une autre. Dans les états qui n'autorisent pas les exclusions de garantie tacite ou la limitation des dommages accessoires ou indirects, les limitations ou exclusions ci-dessus peuvent ne pas s'appliquer. Cette garantie s'applique aux États-Unis, au Canada et au Mexique uniquement.

REGLAS DE SEGURIDAD GENERALES PARA HERRAMIENTAS ELÉCTRICAS



¡ADVERTENCIA!

LEA TODAS LAS INSTRUCCIONES

Si no se siguen todas las siguientes instrucciones se puede provocar una descarga eléctrica, un incendio y/o lesiones graves. El término "herramienta eléctrica" en todas las advertencias incluidas más abajo se refiere a su herramienta operada por conexión (cable) a la red eléctrica o por medio de una batería (inalámbrica).

GUAORDE ESTAS INSTRUCCIONES

SEGURIDAD EN EL ÁREA DE TRABAJO

1. **Mantenga limpia y bien iluminada el área de trabajo.** Las áreas desordenadas u oscuras contribuyen a que se produzcan accidentes.
2. **No utilice herramientas eléctricas en atmósferas explosivas, como en la presencia de líquidos, gases o polvo inflamables.** Las herramientas eléctricas crean chispas que pueden incendiar el polvo o las emanaciones.
3. **Mantenga a los niños y otras personas alejadas mientras utiliza una herramienta eléctrica.** Las distracciones pueden hacerle perder el control.

SEGURIDAD ELÉCTRICA

4. **Los enchufes de las herramientas eléctricas deben ser del mismo tipo que el tomacorrientes.** Nunca realice ningún tipo de modificación en el enchufe. **No use enchufes adaptadores con herramientas eléctricas con conexión a tierra.** Se reducirá el riesgo de descarga eléctrica si no se modifican los enchufes y los tomacorrientes son del mismo tipo.
5. **Evite el contacto corporal con superficies con conexión a tierra, como tuberías, radiadores, estufas y refrigeradores.** El riesgo de descarga eléctrica aumenta si su cuerpo está conectado a tierra.
6. **No exponga la herramientas eléctricas a la lluvia o a condiciones de humedad.** El agua que entra en una herramienta eléctrica aumenta el riesgo de descarga eléctrica.
7. **No abuse del cable.** Nunca use el cable para transportar la herramienta eléctrica, tirar de ella o desenchufarla. **Mantenga el cable alejado del calor, los bordes afilados o las piezas en movimiento.** Los cables dañados o enmarañados aumentan el riesgo de descarga eléctrica.
8. **Cuando se utiliza una herramienta eléctrica en el exterior, use una extensión que sea apropiada para uso en el exterior.** El uso de un cable apropiado para el exterior reduce el riesgo de descarga eléctrica.

SEGURIDAD PERSONAL

9. **Manténgase alerta, ponga cuidado a lo que está haciendo y use el sentido común cuando utilice una herramienta eléctrica.** **No use una herramienta eléctrica cuando está cansado o bajo la influencia de drogas, alcohol o medicinas.** Desprestarse un minuto cuando se utiliza una herramienta eléctrica puede tener como resultado lesiones personales graves.
10. **Use equipo de seguridad.** Lleve siempre protección ocular. Llevar equipo de seguridad apropiado para la situación, como una máscara antipolvo, zapatos de seguridad antideslizantes casco o protección auditiva, reducirá las lesiones personales.
11. **Evite los arranques accidentales.** Asegúrese de que el interruptor esté en la posición de apagado antes de enchufar la herramienta. Mover herramientas con el dedo en el interruptor o enchufar herramientas con el interruptor en la posición de encendido contribuye a que se produzcan accidentes.
12. **Quite todas las llaves de ajuste antes de encender la herramienta.** Una llave que esté acoplada a una pieza giratoria de la herramienta puede provocar lesiones personales.

13. **No se estire demasiado.** Mantenga los pies bien asentados y el equilibrio en todo momento. Esto permite tener mejor control de la herramienta eléctrica en situaciones inesperadas.
14. **Vístase de manera apropiada.** **No lleve ropa suelta ni joyas.** Mantenga el cabello, la ropa y los guantes lejos de la piezas en movimiento. La ropa floja, las joyas o el cabello largo pueden quedar atrapados en las piezas en movimiento.
15. **Si se proporcionan dispositivos para la conexión de sistemas de recolección y extracción de polvo, asegúrese de que estén conectados y se usen apropiadamente.** El uso de estos dispositivos puede reducir los peligros relacionados con el polvo.

USO Y CUIDADO DE LAS HERRAMIENTAS ELÉCTRICAS

16. **No fuerce la herramienta eléctrica.** Use la herramienta eléctrica correcta para la aplicación. La herramienta eléctrica correcta funcionará mejor y de manera más segura a la velocidad para la que se diseñó.
17. **No use la herramienta eléctrica si el interruptor no la enciende ni la apaga.** Cualquier herramienta eléctrica que no se pueda controlar con el interruptor es peligrosa y se debe reparar.
18. **Desconecte el enchufe de la toma de alimentación y/o la batería de la herramienta eléctrica antes de realizar cualquier ajuste, cambiar accesorios o almacenar las herramientas eléctricas.** Dichas medidas preventivas de seguridad reducen el riesgo de que la herramienta se prenda accidentalmente.
19. **Almacene las herramientas eléctricas fuera del alcance de los niños y no permita que personas no familiarizadas con ellas o estas instrucciones las utilicen.** Las herramientas eléctricas son peligrosas en las manos de usuarios no capacitados.
20. **Mantenimiento de las herramientas eléctricas.** Revise que no haya piezas móviles que estén desalineadas o que se atasquen, piezas rotas ni ninguna otra condición que pueda afectar el funcionamiento de la herramienta eléctrica. **Si se encuentran daños, haga que le reparen la herramienta antes de usarla.** Las herramientas mal mantenidas son la causa de muchos accidentes.
21. **Mantenga las herramientas de corte limpias y afiladas.** Es menos probable que se atasquen las herramientas de corte con filos afilados que se mantienen de manera apropiada y también son más fáciles de controlar.
22. **Use la herramienta eléctrica, los accesorios y las brocas, etc. siguiendo estas instrucciones y de la manera para la que dicha herramienta eléctrica en particular fue diseñada, teniendo en cuenta las condiciones de trabajo y la tarea que se va a realizar.** El uso de la herramienta eléctrica para operaciones diferentes de aquellas para las que se diseño podría resultar en una situación peligrosa.

MANTENIMIENTO

23. **Haga que un técnico calificado realice el mantenimiento de la herramienta eléctrica utilizando solamente piezas de repuesto idénticas.** Esto asegurará que se mantiene la seguridad de la herramienta eléctrica.

REGLAS ESPECIFICAS DE SEGURIDAD

1. **Agarre la herramienta por los asideros aislados cuando realice una operación en la que la herramienta de corte pueda entrar en contacto con cables ocultos o con su propio cable.** El contacto con un cable "con corriente" hará que las partes de metal expuesto de la herramienta pasen la corriente y produzcan una descarga al operador.
2. **Guarde las etiquetas y placas de especificaciones.** Estas tienen información importante. Si son ilegibles o si no se pueden encontrar, póngase en contacto con un centro de servicio de **MILWAUKEE** para una refacción gratis.
3. **¡ADVERTENCIA!** Algunas partículas de polvo resultantes del lijado mecánico, aserrado, esmerilado, taladrado y otras actividades relacionadas a la construcción, contienen sustancias químicas que se saben ocasionan cáncer, defectos congénitos u otros daños al aparato reproductivo. A continuación se citan algunos ejemplos de tales sustancias químicas:
 - plomo proveniente de pinturas con base de plomo
 - sílice cristalino proveniente de ladrillos, cemento y otros productos de albañilería y
 - arsénico y cromo provenientes de madera químicamente tratada.

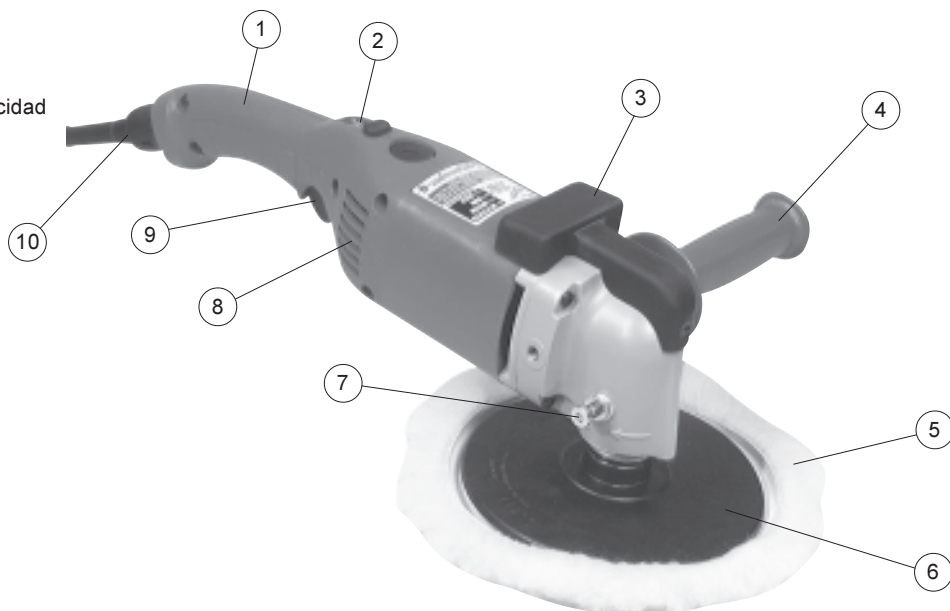
El riesgo que usted sufre debido a la exposición varía dependiendo de la frecuencia con la que usted realiza estas tareas. Para reducir la exposición a estas sustancias químicas: trabaje en un área bien ventilada, y utilice equipo de seguridad aprobado como, por ejemplo, máscaras contra el polvo que hayan sido específicamente diseñadas para filtrar partículas microscópicas.

Simbología	
	Con doble aislamiento
	Canadian Standards Association
	Underwriters Laboratories, Inc.
	Volts de corriente alterna
	Volts de corriente alterna/corriente directa
n° <u>xxxx</u> /min.	Revoluciones por minuto sin carga (rpm)
A	Amperios

Especificaciones			
Cat. No.	Volts	RPM	Diám. Disco
5455	120 ca/cd	1 750	178/229 mm (7"/9")
5460	120 ca	0 - 1 750	178/229 mm (7"/9")
5540	120 ca	0 - 2 800	178 mm (7")

DESCRIPCION FUNCIONAL

1. Mango
2. Interruptor de control de velocidad
3. Soporte de la herramienta
4. Mango lateral
5. Disco de pulir
6. Disco de apoyo de goma
7. Botón del seguro de la flecha
8. Ranuras de ventilación
9. Gatillo
10. Cable eléctrico



TIERRA



¡ADVERTENCIA!

Puede haber riesgo de descarga eléctrica si se conecta el cable de conexión de puesta a tierra incorrectamente. Consulte con un electricista certificado si tiene dudas respecto a la conexión de puesta a tierra del tomacorriente. No modifique el enchufe que se proporciona con la herramienta. Nunca retire la clavija de conexión de puesta a tierra del enchufe. No use la herramienta si el cable o el enchufe está dañado. Si está dañado antes de usarlo, llévelo a un centro de servicio **MILWAUKEE** para que lo reparen. Si el enchufe no se acopla al tomacorriente, haga que un electricista certificado instale un tomacorriente adecuado.

Herramientas con conexión a tierra:

Herramientas con enchufes de tres clavijas

Las herramientas marcadas con la frase "Se requiere conexión de puesta a tierra" tienen un cable de tres hilos y enchufes de conexión de puesta a tierra de tres clavijas. El enchufe debe conectarse a un tomacorriente debidamente conectado a tierra (véase la Figura A). Si la herramienta se avería o no funcionara correctamente, la conexión de puesta a tierra proporciona un trayecto de baja resistencia para desviar la corriente eléctrica de la trayectoria del usuario, reduciendo de este modo el riesgo de descarga eléctrica.

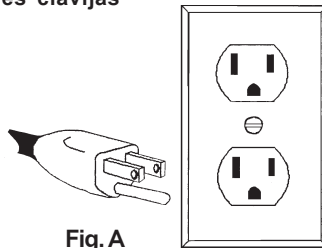


Fig. A

La clavija de conexión de puesta a tierra en el enchufe está conectada al sistema de conexión de puesta a tierra de la herramienta a través del hilo verde dentro del cable. El hilo verde debe ser el único hilo conectado al sistema de conexión de puesta a tierra de la herramienta y nunca se debe unir a una terminal energizada.

Su herramienta debe estar enchufada en un tomacorriente apropiado, correctamente instalado y conectado a tierra según todos los códigos y reglamentos. El enchufe y el tomacorriente deben asemejarse a los de la Figura A.

Herramientas con doble aislamiento:

Herramientas con clavijas de dos patas

Las herramientas marcadas con "Doble aislamiento" no requieren conectarse "a tierra". Estas herramientas tienen un sistema aislante que satisface los estándares de OSHA y llena los estándares aplicables de UL (Underwriters Laboratories, Inc.), de la Asociación Canadiense de Estándares (CSA) y el Código Nacional de Electricidad. Las herramientas con doble aislamiento pueden ser usadas en cualquiera de los toma corriente de 120 Volt mostrados en las Figuras B y C.

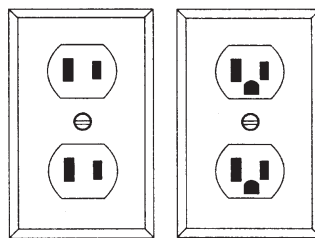


Fig. B

Fig. C

EXTENSIONES ELÉCTRICAS

Las herramientas que deben conectarse a tierra cuentan con clavijas de tres patas y requieren que las extensiones que se utilicen con ellas sean también de tres cables. Las herramientas con doble aislamiento y clavijas de dos patas pueden utilizarse indistintamente con extensiones de dos a tres cables. El calibre de la extensión depende de la distancia que exista entre la toma de la corriente y el sitio donde se utilice la herramienta. El uso de extensiones inadecuadas puede causar serias caídas en el voltaje, resultando en pérdida de potencia y posible daño a la herramienta. La tabla que aquí se ilustra sirve de guía para la adecuada selección de la extensión.

Mientras menor sea el número del calibre del cable, mayor será la capacidad del mismo. Por ejemplo, un cable calibre 14 puede transportar una corriente mayor que un cable calibre 16. Cuando use más de una extensión para lograr el largo deseado, asegúrese que cada una tenga al menos, el mínimo tamaño de cable requerido. Si está usando un cable de extensión para más de una herramienta, sume los amperes de las varias placas y use la suma para determinar el tamaño mínimo del cable de extensión.

Guías para el uso de cables de extensión

- Si está usando un cable de extensión en sitios al aire libre, asegúrese que está marcado con el sufijo "W-A" ("W" en Canadá) el cual indica que puede ser usado al aire libre.
- Asegúrese que su cable de extensión está correctamente cableado y en buenas condiciones eléctricas. Cambie siempre una extensión dañada o hágala reparar por una persona calificada antes de volver a usarla.
- Proteja su extensión eléctrica de objetos cortantes, calor excesivo o áreas mojadas.

Calibre mínimo recomendado para cables de extensiones eléctricas*

Amperios (En la placa)	Largo de cable de Extensión en (m)					
	7,6	15,2	22,8	30,4	45,7	60,9
0 - 5,0	16	16	16	14	12	12
5,1 - 8,0	16	16	14	12	10	--
8,1 - 12,0	14	14	12	10	--	--
12,1 - 15,0	12	12	10	10	--	--
15,1 - 20,0	10	10	10	--	--	--

* Basado en limitar la caída en el voltaje a 5 volts al 150% de los amperios.

LEA Y GUARDE TODAS LAS INSTRUCCIONES PARA FUTURAS REFERENCIAS.

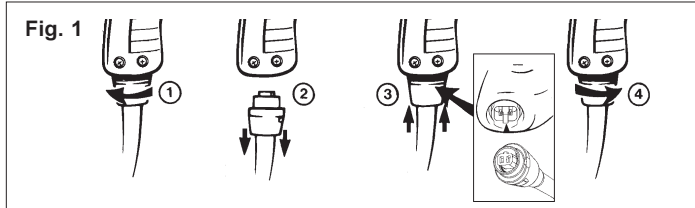
ENSAMBAJE DE LA HERRAMIENTA



Para reducir el riesgo de lesiones, desconecte siempre la herramienta antes de fijar o retirar accesorios, o antes de efectuar ajustes. Utilice sólo los accesorios específicamente recomendados. El uso de otros accesorios puede ser peligroso.

Montaje y desmontaje del cable de cambio rápido Quik-Lok® (Cat. No. 5460 y 5540) (Fig. 1)

Para realizar el cambio en forma inmediata en el área de trabajo, los Taladros Magnum de MILWAUKEE cuentan con el exclusivo cable Quik-Lok® de cambio rápido.

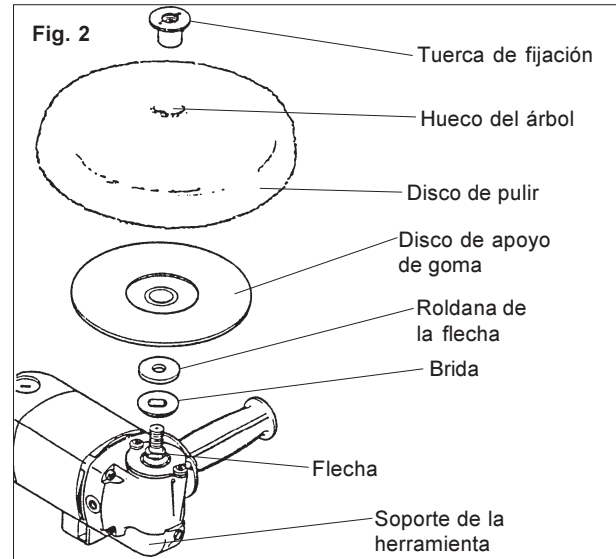


1. Para desmontar el cable Quik-Lok®, gire el cable 1/4 de vuelta hacia la izquierda y sepárelo del cuerpo de la unidad.
2. Para montar el cable Quik-Lok®, alinee las marcas en el conector con las del cable y empuje el conector hasta el fondo. Luego gire el cable 1/4 de vuelta hacia la derecha para asegurarlo.

Discos de pulir (Fig. 2)

Los discos de pulir MILWAUKEE están disponibles en dos texturas diferentes. Los discos 100% de lana de cordero son ideales para pulir acabados no claro. Los discos hechos de una mezcla de lana y poliéster son más suaves, por lo que se pueden usar en superficies con acabados claros. Para seleccionar el disco apropiado para cada aplicación, consulte el cuadro que aparece a continuación.

Disco de apoyo	Disco de pulir		Aplicación	Superficies recomendadas	
	Díam.	Profundidad			
49-36-2500 178 mm (7")	49-36-1450 100% Lana	190 mm (7-1/2")	38 mm (1-1/2")	Pulido	Pintadas, acabados claros y fibra de vidrio
	49-36-1455 100% Lana	178 mm (7")	50 mm (2")	Pulido	Pintadas y acabados claros
	49-36-0500 Lana/poli.	190 mm (7-1/2")	38 mm (1-1/2")	Acabado brillo profundo	Pintadas y acabados claros
49-36-2200 229 mm (9")	49-36-1600 100% Laine	229 mm (9")	38 mm (1-1/2")	Pulido	Pintadas acabados claros y fibra de vidrio
	49-36-0700 Laine/poly.	229 mm (9")	38 mm (1-1/2")	Acabado brillo profundo	Pintadas y acabados claros

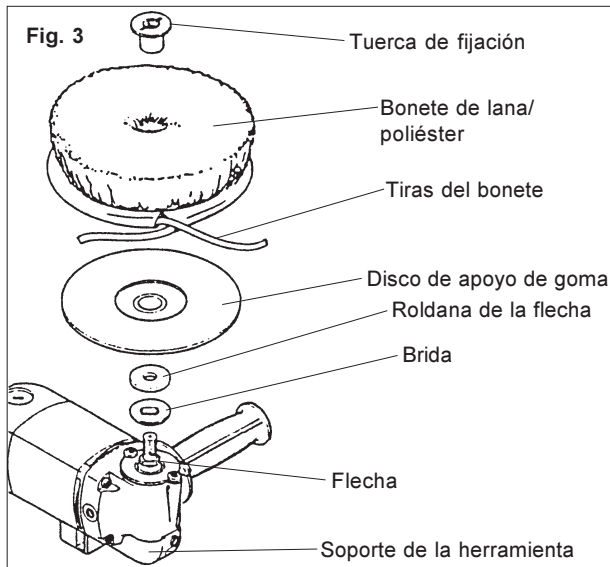


1. Para **instalar** los discos de pulir, desconecte la herramienta y colóquela sobre el soporte de manera que la flecha esté hacia arriba.
2. Asegúrese de que la brida y roldana de la flecha estén instaladas sobre la flecha. A continuación, deslice la tuerca de fijación a través del hueco del árbol pasando por el disco de pulir y el disco de apoyo de goma, teniendo cuidado de distribuir las fibras en el disco de manera que la tuerca sujete ambos discos.
3. Oprima el botón del seguro de la flecha (ubicado a la izquierda del regulador de engranaje), y al mismo tiempo, atornille la tuerca de fijación y el disco de pulir de izquierda a derecha para fijarla en la flecha. Asegure manualmente la tuerca y el disco.
4. Para **retirar** el disco de pulir, oprima el botón del seguro de la flecha y haga girar la tuerca de fijación de derecha a izquierda para desatornillar la pieza.

Bonetes de lana/poliéster (Fig. 3)

Para seleccionar el bonete apropiado para cada aplicación, consulte el cuadro que aparece a continuación.

Disco de apoyo	Bonetes	Aplicación	Superficies recomendadas
49-36-2500 178 mm (7")	48-48-0500 lana/poli. Bonete 7"	Acabado brillo profundo	Sin acabado claro o con acabado claro
49-36-2200 229 mm (9")	48-48-1000 lana/poli. Bonete 9"	Acabado brillo profundo	Sin acabado claro o con acabado claro



1. Para **instalar** los bonetes de lana y poliéster, desconecte la herramienta y colóquela sobre el soporte de manera que la flecha esté hacia arriba.
2. Asegúrese de que la brida y la roldana de la flecha estén colocadas sobre la flecha. A continuación, deslice el disco de apoyo de goma hacia la flecha.
3. Oprima el botón del seguro de la flecha y atornille la tuerca de fijación de izquierda a derecha para fijarla en la flecha. Asegure manualmente la tuerca de fijación.
4. Cubra el disco de apoyo de goma con el bonete. Asegure las tiras del bonete y métales dentro del bonete para que no obstaculicen su trabajo.
5. Para **retirar** el bonete, suelte las tiras y retírelo. Oprima el botón del seguro de la flecha y haga girar la tuerca de fijación y el disco de apoyo de goma de derecha a izquierda.

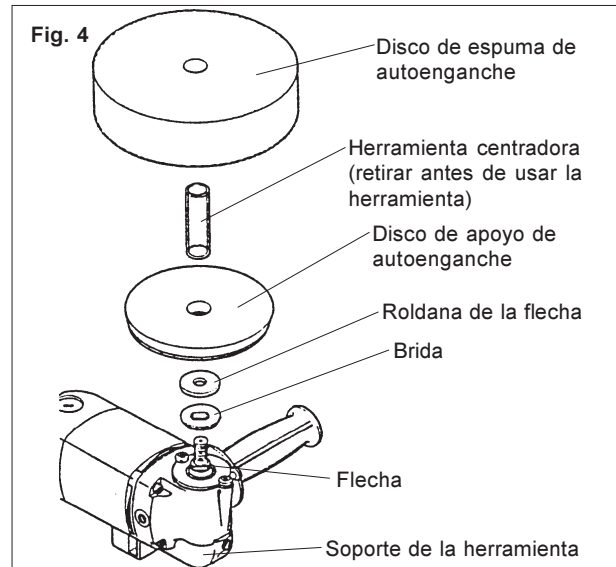
Discos de autoenganche (Fig. 4)

Los discos de autoenganche están disponibles en lana/poliéster y espuma. Si usa discos de espuma con las pulidoras Cat. No. 5540 y 5460-6, la velocidad debe fijarse en lenta/despacio. Estos discos no deben ser usados por operarios sin experiencia.

El disco de espuma Cat. No. 49-36-1550 es ideal para acabados claros y pulidos super finos. Estos discos eliminan las rayas superficiales, contaminantes ambientales, marcas de agua y la opacidad de la pintura. El disco de espuma Cat. No. 49-36-0650 es ideal para superficies esmaltadas y acabados claros. Este disco elimina los círculos dejados por productos de pulido, marcas causadas por máquinas de autolavado y opacidad leve. Con los discos de autoenganche, número de catálogo 49-36-2150, viene una herramienta centradora, Cat. No. 49-67-0130, para alinear correctamente el disco de apoyo con el disco de pulir, proveyendo así el balance adecuado para su pulidora. Para seleccionar el disco de enganche adecuado para cada aplicación, consulte el cuadro que aparece a continuación.

Con los discos de autoenganche, Cat. No. 49-36-2150, viene una herramienta centradora, Cat. No. 49-67-0130, para alinear correctamente el disco de apoyo con el disco de pulir, proveyendo así el balance adecuado para su pulidora.

Disco apoyo	Disco Autoenganche	Aplicación	Superficies Recomendadas
49-36-2150	49-36-1500 Disco 100% lana	Pulido	Pintadas, acabados claros y fibra de vidrio
	49-36-0600 Disco parte de lana	Acabado brillo profundo	Pintadas o acabados claros
	49-36-1550 Foam pad	Pulido	Acabados claros
	49-36-0650 Foam pad	Acabado brillo profundo	Acabados claros



1. Para **instalar** los discos de autoenganche, desconecte la herramienta y colóquela sobre el soporte de manera que la flecha esté hacia arriba.
2. Asegúrese de que la brida y la roldana de la flecha estén colocadas sobre la flecha. A continuación, deslice el disco de apoyo de autoenganche sobre la flecha.
3. Oprima el botón del seguro de la flecha y haga girar el disco de apoyo de izquierda a derecha hasta que quede bien asegurada manualmente.
4. Inserte la herramienta centradora (que viene con el disco de apoyo) en el centro del hueco a través del disco de apoyo de autoenganche. Presione el disco de pulir de autoenganche deseado contra la herramienta centradora para fijar el disco de pulir en el disco de apoyo de autoenganche. **Retire la herramienta centradora.**
5. Para **retirar** el disco, "despéguelo". Oprima el botón del seguro de la flecha y haga girar el disco de apoyo de derecha a izquierda para retirarlo.

NOTA: Para tener un mejor control y operar con seguridad la herramienta, sujete los mangos laterales.

¡ADVERTENCIA!

Para reducir el riesgo de lesiones, use siempre lentes de seguridad o anteojos con protectores laterales. Desconecte la herramienta antes de cambiar algún accesorio o de hacerle algún ajuste.

Encendido, apagado y control de velocidad (Fig. 5)

Pulidoras Cat. No. 5455: Para encender la herramienta, hale el gatillo. Para detenerla, suéltelo.

Pulidoras Cat. No. 5540 y 5460: Incluyen un dispositivo para controlar la velocidad del disco que regula la cantidad máxima de rotaciones por minuto. La velocidad permanecerá variable, dependiendo de la presión ejercida en el interruptor de gatillo. Los niveles de velocidad van del 1 al 5. Los números más bajos corresponden a las velocidades más lentas, y los más altos, a las más rápidas. Por lo general, es recomendable usar velocidades lentas cuando se trabaja en áreas pequeñas, y las velocidades rápidas son ideales para superficies más extensas. Utilice la velocidad que mejor se ajuste a la labor que deba realizar.



Para establecer la velocidad, seleccione el nivel deseado y a continuación, hale el gatillo. Para cambiar la velocidad, aumente o disminuya le presión en el gatillo. Para detener la herramienta, suelte el gatillo.

¡ADVERTENCIA!

Para reducir el riesgo de una lesión, mantenga el cable eléctrico fuera del camino de la pulidora. De lo contrario, el cable podría atravesársele al disco y arrollarse en la flecha, lo que podría cortarlo y dejar al descubierto alambres vivos o "energizar" la caja de engranaje.

Pulido

Para asegurar el control correcto de la herramienta, mantenga siempre sujetado el mango lateral. Mueva la pulidora en círculos hacia adelante y hacia atrás. Si ejerce demasiada presión, pule en un ángulo equivocado u opera la herramienta con movimientos incorrectos, puede dejar marcas de pulido o quemar la superficie de trabajo.

Si desea obtener más detalles sobre cómo pulir, lea las instrucciones que vienen con sus acabados, ceras y productos para pulir.

Prevención de quemado de superficies pintadas

Las superficies pintadas son muy sensibles a la quemadura por pulido. Esto puede ocurrir si pule a una velocidad demasiado alta o si mantiene el disco de pulir en un mismo lugar, incluso durante poco tiempo. Para evitar el quemado de la superficie pintada, ejerza una muy leve presión y mantenga la pulidora siempre en movimiento, sobre todo si trabaja cerca de bordes o donde hayan cambios abruptos en el contorno de la superficie de trabajo.

Tenga especial cuidado cuando utilice pulidoras Cat. No. 5540, que son herramientas de RPM altas y tienden a quemar más las superficies pintadas.

¡ADVERTENCIA!

Para reducir el riesgo de una lesión, siga las instrucciones sobre la prevención de atascamientos. Los atascamientos pueden causar que la herramienta dé una patada y que el operario pierda de repente el control de la misma. Sujete siempre el mango lateral para mantener la pulidora bajo control.

Prevención de atascamientos

El atascamiento ocurre cuando los discos de pulido se traban al trabajar superficies ásperas. El atascamiento puede causar que la herramienta de repente "dé una patada" y que el disco queme la superficie pintada. Para reducir el riesgo de atascamiento cuando trabaja sobre superficies ásperas, opere la pulidora a velocidades bajas. Para pulir áreas difíciles como, por ejemplo, cerca de bordes o entre un espejo y una ventana en un auto, no corra riesgos usando una pulidora—pula estas superficies a mano.

Al usar pulidoras Cat. No. 5460 y 5540 que tienen control de velocidad en el gatillo, para disminuir la velocidad del disco afloje lentamente la presión sobre el gatillo.

Para evitar atascamientos al usar las pulidoras Cat. No. 5455 que no tienen control de velocidad en el gatillo, es mejor usar la técnica de "pulido por inercia". Para aplicar esta técnica, encienda (posición ON) el motor durante algunos segundos, luego apáguelo (posición OFF) y pula la superficie. De esta forma, cuando el disco entra en contacto con la superficie de trabajo, rotará más despacio que si el motor estuviera encendido (ON). Utilice el pulido por inercia para trabajar áreas con huecos o hendiduras.

MANTENIMIENTO



¡ADVERTENCIA!

Para reducir el riesgo de lesiones, desconecte siempre la herramienta antes de darle cualquier mantenimiento. Nunca desarme la herramienta ni trate de hacer modificaciones en el sistema eléctrico de la misma. Acuda siempre a un Centro de Servicio *MILWAUKEE* para TODAS las reparaciones.

Mantenimiento de las herramientas

Adopte un programa regular de mantenimiento y mantenga su herramienta en buenas condiciones. Antes de usarla, examine las condiciones generales de la misma. Inspeccione guardas, interruptores, el cable de la herramienta y el cable de extensión. Busque tornillos sueltos o flojos, defectos de alineación y dobleces en partes móviles, así como montajes inadecuados, partes rotas y cualquier otra condición que pueda afectar una operación segura. Si detecta ruidos o vibraciones anormales, apague la herramienta de inmediato y corrija el problema antes de volver a usarla. No utilice una herramienta dañada. Colóquese una etiqueta que diga "NO DEBE USARSE" hasta que sea reparada (vea "Reparaciones").

Bajo condiciones normales, no se requiere lubricación hasta que haya que cambiar los carbones. Después de 6 meses a un año, dependiendo del uso dado, envíe su herramienta al Centro de Servicio *MILWAUKEE* más cercano para que le hagan:

- Lubricación
- Inspección y cambio de carbones
- Inspección mecánica y limpieza (engranes, flechas, baleros, carcarza, etc.)
- Inspección eléctrica (interruptor, cable, armadura, etc.)
- Probarla para asegurar una operación mecánica y eléctrica adecuada.



¡ADVERTENCIA!

Para reducir el riesgo de lesiones, descarga eléctrica o daño a la herramienta, nunca la sumerja en líquidos ni permita que estos fluyan dentro de la misma.

Limpieza

Limpie el polvo y suciedad de las ventilas. Mantenga las empuñaduras de la herramienta limpias, secas y libres de aceite y grasa. Use sólo jabón neutro y un trapo húmedo para limpiar su herramienta ya que algunas sustancias y disolventes limpiadores pueden ocasionar daños a materiales plásticos y partes aislantes. Algunos de estos incluyen: gasolina, trementina, diluyente para barniz, diluyente para pintura, disolventes limpiadores clorados, amoníaco, y detergentes caseros que contengan amoníaco.

Reparaciones

Si su instrumento se daña, vuelva el instrumento entero al más cercano centro de reparaciones.

GARANTÍA LIMITADA DE CINCO AÑOS

Todas las herramientas *MILWAUKEE* se prueban antes de abandonar la fábrica y se garantiza que no presentan defectos ni en el material ni de mano de obra. En el plazo de cinco (5) años a partir de la fecha de compra *MILWAUKEE* reparará o reemplazará (a discreción de *MILWAUKEE*), sin cargo alguno, cualquier herramienta (cargadores de baterías inclusive) cuyo examen determine que presenta defectos de material o de mano de obra. Devuelva la herramienta, con gastos de envío prepagados y asegurada, y una copia de la factura de compra, u otro tipo de comprobante de compra, a una sucursal de reparaciones/ventas de la fábrica *MILWAUKEE* o a un centro de reparaciones autorizado por *MILWAUKEE*. Esta garantía no cubre los daños ocasionados por reparaciones o intentos de reparación por parte de personal no autorizado por *MILWAUKEE*, abuso, desgaste y deterioro normal, falta de mantenimiento o accidentes.

Las baterías, linternas y radios tienen una garantía de un (1) año a partir de la fecha de compra.

LOS DERECHOS A REPARACIÓN Y REEMPLAZO DESCRITOS EN EL PRESENTE DOCUMENTO SON EXCLUSIVOS. *MILWAUKEE* NO SERÁ EN NINGÚN CASO RESPONSABLE DE DAÑOS INCIDENTALES, ESPECIALES O CONSECUENTES, INCLUYENDO LA PÉRDIDA DE GANANCIAS.

ESTA GARANTÍA ES EXCLUSIVA Y SUSTITUYE A TODA OTRA GARANTÍA, O CONDICIONES, ESCRITAS U ORALES, EXPRESAS O IMPLÍCITAS DE COMERCIALIZACIÓN O IDONEIDAD PARA UN USO O FIN DETERMINADO.

Esta garantía le proporciona derechos legales específicos. Es posible que usted tenga otros derechos que varían de estado a estado y de provincia a provincia. En aquellos estados que no permiten la exclusión de garantías implícitas o la limitación de daños incidentales o consecuentes, las limitaciones anteriores pueden que no apliquen. Esta garantía es válida solamente en los Estados Unidos, Canadá y México.

ACCESORIOS



¡ADVERTENCIA!

Para reducir el riesgo de lesiones, desconecte siempre su herramienta antes de colocar o retirar un accesorio. Use solo accesorios recomendados específicamente. Otros pueden ser peligrosos.

Para una lista completa de accesorios, refiérase a su catálogo *MILWAUKEE* Electric Tool o visite nuestro sitio en Internet: www.milwaukeetool.com. Para obtener un catálogo, contacte su distribuidor local o uno de los centros.

Disco de apoyo de enganche

Cat. No. 49-36-2150

Use este disco de apoyo con discos de enganche. Incluye una herramienta centradora No. 49-67-0130.

Herramienta centradora

Cat. No. 49-67-0130

Mismo accesorio que viene con el disco de apoyo de enganche Cat. No. 49-36-2150. Use la herramienta como una guía para centrar el disco de enganche en el disco de apoyo.

Discos de enganche

Estos discos no necesitan de una tuerca para instalarlos. Los discos se cambian en segundos.

Disco de apoyo	Disco de enganche	Aplicación	Superficies Recomendadas
49-36-2150	49-36-1500 100% disco lana	Pulido	Pintadas, acabado claro y fibra de vidrio
	49-36-0600 Disco parte de lana	Acabado brillo profundo	Pintadas o acabado claro
	49-36-1550 Disco espuma	Pulido	Acabado claro
	49-36-0650 Disco espuma	Acabado brillo profundo	Acabado claro

Discos de pulir 100% de lana

Estos discos son ideales para pulido y encerado de autos viejos con acabados esmaltados o laqueados.

Cat. No.	Descripción	Diámetro	Profundidad	Recomendado Para
49-36-1450	Disco lana curvo	190 mm (7-1/2")	38 mm (1-1/2")	Pulido y limpieza profunda de superf. pintadas y acabado claro
49-36-1455	Disco lana	190 mm (7-1/2")	50 mm (2")	
49-36-1600	Disco lana	229 mm (9")	38 mm (1-1/2")	

Discos y bonetes con parte de lana

Estos discos y bonetes son recomendados para acabados con brillo profundo en superficies con acabado claro o no claro.

Cat. No.	Descripción	Diámetro	Profundidad	Recomendado Para
49-36-0500	Disco curvo	190 mm (7-1/2")	38 mm (1-1/2")	Acabados brillo prof. en superf. pintadas y claras
49-36-0700	Disco parte lana	229 mm (9")	38 mm (1-1/2")	
48-48-0500	Bonete parte lana	178 mm (7")	38 mm (1-1/2")	
48-48-1000	Bonete parte lana	229 mm (9")	38 mm (1-1/2")	

Discos de apoyo de goma moldeados

178 mm (7") de diámetro

Cat. No. 49-36-2500

216 mm (8-1/2") de diámetro

Cat. No. 49-36-0220

Tuerca del disco

Cat. No. 49-40-0390

Roldana de la flecha

Cat. No. 45-88-8465

Cables Quik-Lok

Cable de 3 m (10') Cat. No. 48-76-5010

Cable 7,6 m (25') Cat. No. 48-76-5025

UNITED STATES

MILWAUKEE Service

MILWAUKEE prides itself in producing a premium quality product that is **NOTHING BUT HEAVY DUTY®**.

Your satisfaction with our products is very important to us!

If you encounter any problems with the operation of this tool, or you would like to locate the *factory Service/Sales Support Branch* or *authorized service station* nearest you, please call...

1-800-SAWDUST

(1.800.729.3878)

NATIONWIDE TOLL FREE

Monday-Friday • 8:00 AM - 4:30 PM • Central Time
or visit our website at

www.milwaukeetool.com

For service information, use the 'Service Center Search' icon found in the 'Parts & Service' section.

Additionally, we have a nationwide network of *authorized* Distributors ready to assist you with your tool and accessory needs. Check your "Yellow Pages" phone directory under "Tools-Electric" for the names & addresses of those nearest you or see the 'Where To Buy' section of our website.

Corporate After Sales Service - Technical Support
Brookfield, Wisconsin USA

•Technical Questions •Service/Repair Questions •Warranty

1-800-SAWDUST

(1.800.729.3878)

fax:1.800.638.9582

email: metproductsupport@milwaukeetool.com

Monday-Friday • 8:00 AM - 4:30 PM • Central Time

CANADA

Service MILWAUKEE

MILWAUKEE est fier de proposer un produit de première qualité **NOTHING BUT HEAVY DUTY®**. Votre satisfaction est ce qui compte le plus!

En cas de problèmes d'utilisation de l'outil ou pour localiser le centre de service/ventes ou le *centre d'entretien* le plus proche, appelez le...

416.439.4181

fax: 416.439.6210

Milwaukee Electric Tool (Canada) Ltd

755 Progress Avenue

Scarborough, Ontario M1H 2W7

Notre réseau national de distributeurs *agrés* se tient à votre disposition pour fournir l'aide technique, l'outillage et les accessoires nécessaires. Composez le 416.439.4181 pour obtenir les noms et adresses des revendeurs les plus proches ou bien consultez la section «Où acheter» sur notre site web à l'adresse

www.milwaukeetool.com

MEXICO

Servicios de MILWAUKEE

Milwaukee Electric Tool

Bldv. Abraham Lincoln no. 13

Colonia Los Reyes Zona Industrial

Tlalnepantla, Edo. México C.P. 54073

Tel. 55 5565-1414 Fax: 55 5565-6874

Adicionalmente, tenemos una red nacional de distribuidores autorizados listos para ayudarle con su herramienta y sus accesorios. Por favor, llame al 55 5565-1414 para obtener los nombres y direcciones de los más cercanos a usted, o consulte la sección 'Where to buy' (Dónde comprar) de nuestro sitio web en

www.milwaukeetool.com

MILWAUKEE ELECTRIC TOOL CORPORATION

13135 West Lisbon Road • Brookfield, Wisconsin, U.S.A. 53005

Free Manuals Download Website

<http://myh66.com>

<http://usermanuals.us>

<http://www.somanuals.com>

<http://www.4manuals.cc>

<http://www.manual-lib.com>

<http://www.404manual.com>

<http://www.luxmanual.com>

<http://aubethermostatmanual.com>

Golf course search by state

<http://golfingnear.com>

Email search by domain

<http://emailbydomain.com>

Auto manuals search

<http://auto.somanuals.com>

TV manuals search

<http://tv.somanuals.com>