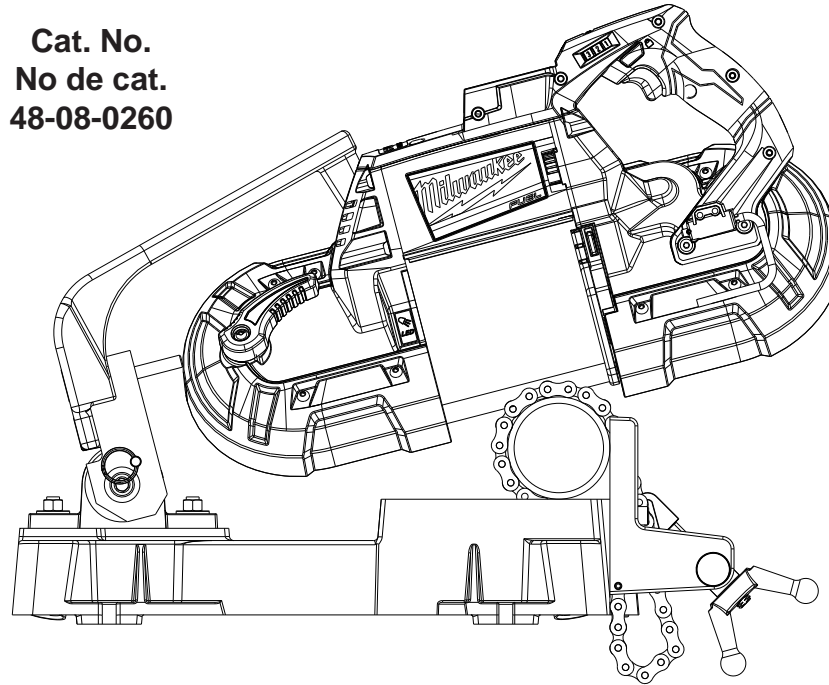




OPERATOR'S MANUAL
MANUEL de L'UTILISATEUR
MANUAL del OPERADOR

Cat. No.
No de cat.
48-08-0260




**PORTABLE BAND SAW TABLE
TABLE DE SCIE À RUBAN PORTATIVE
MESA DE SIERRA CINTA PORTÁTIL**

TO REDUCE THE RISK OF INJURY, USER MUST READ AND UNDERSTAND OPERATOR'S MANUAL.

AFIN DE RÉDUIRE LE RISQUE DE BLESSURES, L'UTILISATEUR DOIT LIRE ET BIEN COMPRENDRE LE MANUEL DE L'UTILISATEUR.

PARA REDUCIR EL RIESGO DE LESIONES, EL USUARIO DEBE LEER Y ENTENDER EL MANUAL DEL OPERADOR.

GENERAL POWER TOOL SAFETY WARNINGS

 **WARNING** READ ALL SAFETY WARNINGS AND ALL INSTRUCTIONS. Failure to follow the warnings and instructions may result in electric shock, fire and/or serious injury. Save all warnings and instructions for future reference. The term "power tool" in the warnings refers to your mains-operated (corded) power tool or battery-operated (cordless) power tool.

WORK AREA SAFETY

- Keep work area clean and well lit. Cluttered or dark areas invite accidents.
- Do not operate power tools in explosive atmospheres, such as in the presence of flammable liquids, gases or dust. Power tools create sparks which may ignite the dust or fumes.
- Keep children and bystanders away while operating a power tool. Distractions can cause you to lose control.

ELECTRICAL SAFETY

- Power tool plugs must match the outlet. Never modify the plug in any way. Do not use any adapter plugs with earthed (grounded) power tools. Unmodified plugs and matching outlets will reduce risk of electric shock.
- Avoid body contact with earthed or grounded surfaces such as pipes, radiators, ranges and refrigerators. There is an increased risk of electric shock if your body is earthed or grounded.
- Do not expose power tools to rain or wet conditions. Water entering a power tool will increase the risk of electric shock.
- Do not abuse the cord. Never use the cord for carrying, pulling or unplugging the power tool. Keep cord away from heat, oil, sharp edges or moving parts. Damaged or entangled cords increase the risk of electric shock.
- When operating a power tool outdoors, use an extension cord suitable for outdoor use. Use of a cord suitable for outdoor use reduces the risk of electric shock.
- If operating a power tool in a damp location is unavoidable, use a ground fault circuit interrupter (GFCI) protected supply. Use of an GFCI reduces the risk of electric shock.

PERSONAL SAFETY

- Stay alert, watch what you are doing and use common sense when operating a power tool. Do not use a power tool while you are tired or under the influence of drugs, alcohol or medication. A moment of inattention while operating power tools may result in serious personal injury.
- Use personal protective equipment. Always wear eye protection. Protective equipment such as dust mask, non-skid safety shoes, hard hat, or hearing protection used for appropriate conditions will reduce personal injuries.
- Prevent unintentional starting. Ensure the switch is in the off-position before connecting to power source and/or battery pack, picking up or carrying the tool. Carrying power tools with your finger on the switch or energising power tools that have the switch on invites accidents.
- Remove any adjusting key or wrench before turning the power tool on. A wrench or a key left attached to a rotating part of the power tool may result in personal injury.

- Do not overreach. Keep proper footing and balance at all times. This enables better control of the power tool in unexpected situations.
- Dress properly. Do not wear loose clothing or jewellery. Keep your hair, clothing and gloves away from moving parts. Loose clothes, jewellery or long hair can be caught in moving parts.
- If devices are provided for the connection of dust extraction and collection facilities, ensure these are connected and properly used. Use of dust collection can reduce dust-related hazards.

POWER TOOL USE AND CARE

- Do not force the power tool. Use the correct power tool for your application. The correct power tool will do the job better and safer at the rate for which it was designed.
- Do not use the power tool if the switch does not turn it on and off. Any power tool that cannot be controlled with the switch is dangerous and must be repaired.
- Disconnect the plug from the power source and/or the battery pack from the power tool before making any adjustments, changing accessories, or storing power tools. Such preventive safety measures reduce the risk of starting the power tool accidentally.
- Store idle power tools out of the reach of children and do not allow persons unfamiliar with the power tool or these instructions to operate the power tool. Power tools are dangerous in the hands of untrained users.
- Maintain power tools. Check for misalignment or binding of moving parts, breakage of parts and any other condition that may affect the power tool's operation. If damaged, have the power tool repaired before use. Many accidents are caused by poorly maintained power tools.
- Keep cutting tools sharp and clean. Properly maintained cutting tools with sharp cutting edges are less likely to bind and are easier to control.
- Use the power tool, accessories and tool bits etc. in accordance with these instructions, taking into account the working conditions and the work to be performed. Use of the power tool for operations different from those intended could result in a hazardous situation.

BATTERY TOOL USE AND CARE



- Recharge only with the charger specified by the manufacturer. A charger that is suitable for one type of battery pack may create a risk of fire when used with another battery pack.
- Use power tools only with specifically designated battery packs. Use of any other battery packs may create a risk of injury and fire.
- When battery pack is not in use, keep it away from other metal objects like paper clips, coins, keys, nails, screws, or other small metal objects

that can make a connection from one terminal to another. Shorting the battery terminals together may cause burns or a fire.

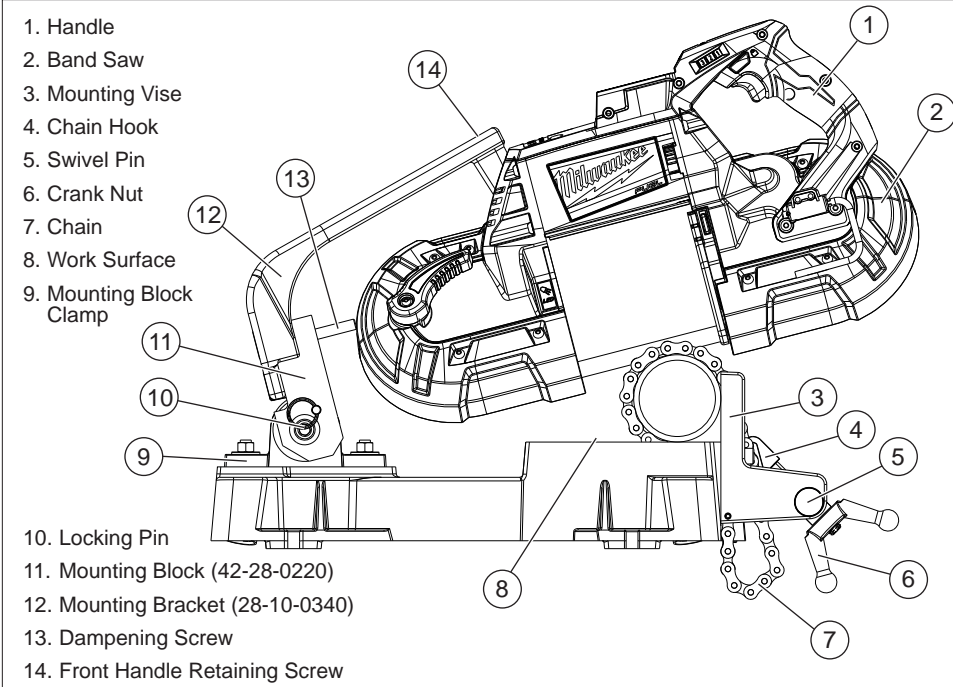
•Under abusive conditions, liquid may be ejected from the battery; avoid contact. If contact accidentally occurs, flush with water. If liquid contacts eyes, additionally seek medical help. Liquid ejected from the battery may cause irritation or burns.

SERVICE



•Have your power tool serviced by a qualified repair person using only identical replacement parts. This will ensure that the safety of the power tool is maintained.

Mounting Bracket/Block	For use with:
28-10-0340/42-28-0220 (Installed) 	Most newer-model MILWAUKEE Band Saws, such as: 2729-20 M18™ Fuel™ Band Saw 6232-20 Deep Cut Variable Speed Band Saw 6238-20 Deep Cut Band Saw
28-10-0325/42-28-0250 (Packaged separately in box) 	Most older-model MILWAUKEE Band Saws, such as: 0729-20 M28™/ V28™ Deep Cut Band Saw 6223 Deep Cut Band Saw 6225 Deep Cut Band Saw 6230 Deep Cut Band Saw 6232 Band Saw 6232N Deep Cut Band Saw 6236 Deep Cut Band Saw 6236N Deep Cut Band Saw

FUNCTIONAL DESCRIPTION



SYMBOLS

	CE Conformity Mark
	WARNING! To reduce the risk of personal injury, user must read and understand Operator's Manual.

ASSEMBLY

Mounting on Workbench

The MILWAUKEE Band Saw Table must be mounted to a wooden or metal workbench with four bolts. Be sure to choose a location with sufficient room on each side to accommodate the cutting of long stock.

Mounting on Portable Legs

WARNING To reduce the risk of personal injury caused by tipping, use legs of equal lengths that will provide a comfortable working height. Keep table level, place stand securely on level surface. Support overhanging stock.

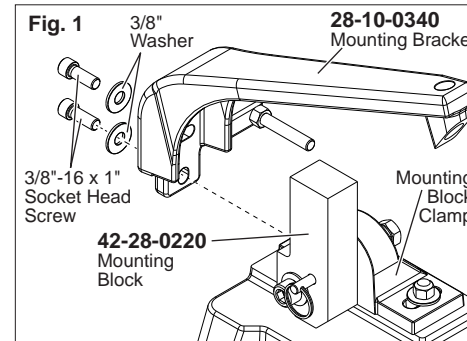
The MILWAUKEE Band Saw Table is equipped with four pipe connectors, located on the underside of the table, to accommodate 3/4" threaded pipe for use as legs. This converts the table into a stand. The legs are not provided with the table. The length of the legs should be less than 31" (790 mm).

Installing the Mounting Bracket

WARNING To reduce the risk of injury, always unplug tool or remove battery pack before mounting to or removing from table. Do not transport the saw when attached to the table.

For use with Band Saws requiring the 28-10-0340 Mounting Bracket and 42-28-0220 Mounting Block

The MILWAUKEE Band Saw Table is shipped with the 42-28-0220 Mounting Block installed. With the table properly mounted on a bench or legs, place the mounting block in the position shown in Fig. 1. Line up the holes in the mounting bracket with the holes in the mounting block, and secure in place with the washers and socket head screws, as shown (Fig. 1).



For use with Band Saws requiring the 28-10-0325 Mounting Bracket and 42-28-0250 Mounting Block

The MILWAUKEE Band Saw Table is shipped with the 42-28-0220 Mounting Block installed. To use older MILWAUKEE Band Saws, the 42-28-0220 Mounting Block must be removed, and the 42-28-0250 Mounting Block must be installed. With the table properly mounted on a bench or legs (Fig. 2):

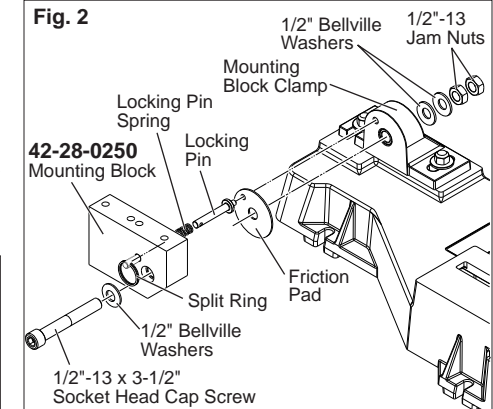
NOTE: Retain all hardware for mounting the 42-28-0250 mounting block.

Removing the 42-28-0220 Mounting Block

1. Disassemble the locking pin by removing the split ring from the end of the pin. Pull the pin and spring out from the other side of the mounting block.
2. Remove the socket head cap screw, washers, nuts, and friction pad from the mounting block.

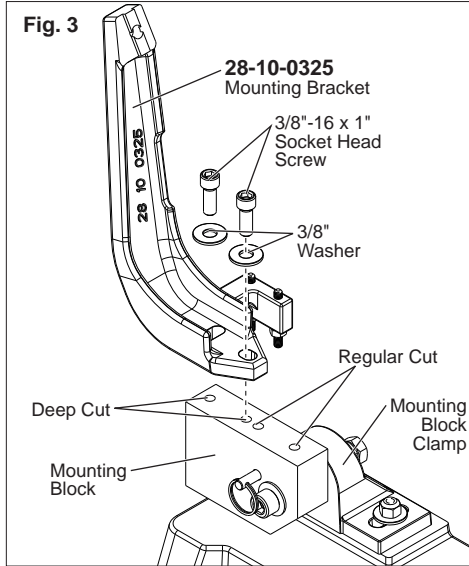
Installing the 42-28-0250 Mounting Block

3. Slide the locking pin spring over the locking pin, and insert into the mounting block from the mounting block clamp side of the block. Insert the split ring into the end of the pin.
4. Place the small, offcenter hole of the friction pad over the locking pin, line up the center hole with the large hole in the mounting block.
5. Line up the mounting block with the mounting block clamp, and secure in place with the socket head cap screw, washers, nuts, as shown. Counter-torque the 1/2"-13 Jam Nuts together securely.



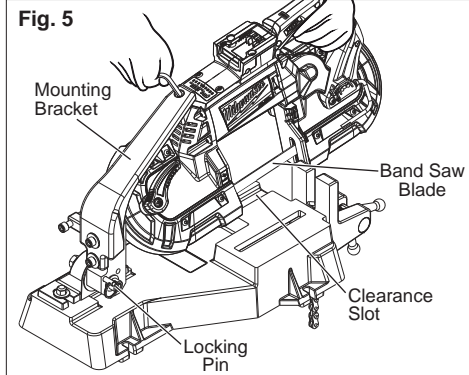
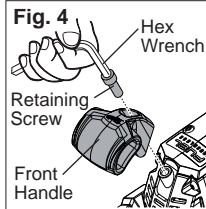
Installing the 28-10-0325 Mounting Bracket

6. With the locking pin secured into the mounting block clamp, line up the holes in the 28-10-0325 mounting bracket with the holes in the 42-28-0250 mounting block (for deep cut or regular cut), and secure in place with the washers and socket head screws, as shown (Fig. 3).



Attaching the Band Saw

1. Use the hex wrench provided to remove the front handle retaining screw and handle (Fig. 4). Store the handle for future use.
2. Pull out the locking pin and swing the mounting bracket forward (Fig. 5).



3. Ensure the tool is unplugged or the battery pack is removed.
4. With the tool equipped with a blade, place the tool on the table with the blade resting in the clearance slot in the work surface. Support it by the handle.
5. Line up the front handle and mounting slot with the key in the mounting bracket.
6. Install the front handle screw and tighten securely.

ADJUSTMENTS

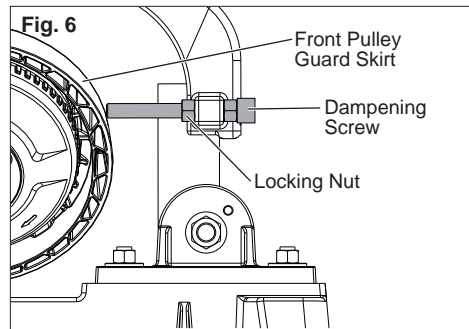
WARNING To reduce the risk of injury, always unplug tool or remove battery pack before making any adjustments.

Dampening Screw

The dampening screw is intended to prevent vibration while the tool is in operation.

- On older models of band saws, overtightening the dampening screw will reduce blade tension, which may cause the blade to slip.
- Overtightening the dampening screw will bend the pulley guard and potentially cause excessive wear on the blade.
- Excessive vibration may occur if the blade is worn and needs replacing.

1. Unplug tool/remove battery pack.
2. With the tool properly mounted, adjust the dampening screw so that it contacts the front pulley guard (Fig. 6).
3. Tighten the locking nut after adjusting the dampening screw.
4. If clearance exists or the tool does not cut smoothly when in operation, loosen the locking nut, insert a hex wrench and tighten screw securely against the front pulley guard.

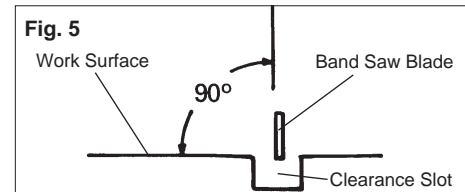


Adjustments

Once the tool is mounted on the table, check for proper positioning of the tool and blade relative to the table. Two simple adjustments will provide straight, parallel cuts.

Vertical Blade Adjustment

When properly adjusted, the blade should be at a 90° angle with the work surface (Fig. 5). Insert the hex wrench into the head of the front handle retaining screw. Place a square on the work support surface and against the side of the blade, above the teeth. Grasp the switch handle and rotate the tool until the side of the blade is flush with the vertical side of the square. Securely tighten the upper and lower mounting bracket screws.

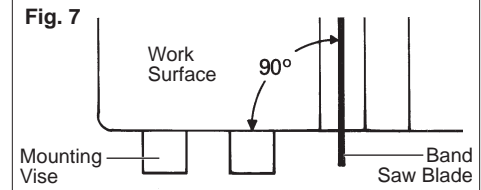
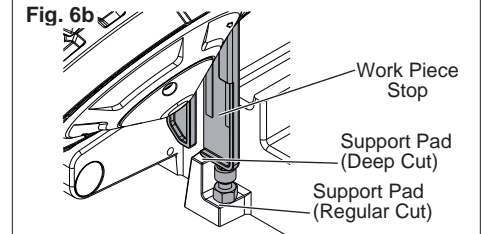
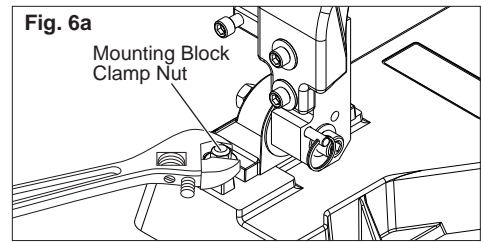


WARNING On band saws with adjustable work piece stops, extend the work piece to its longest position before setting the support pad. Otherwise, the saw blade could strike the band saw table.

Parallel Blade Adjustment

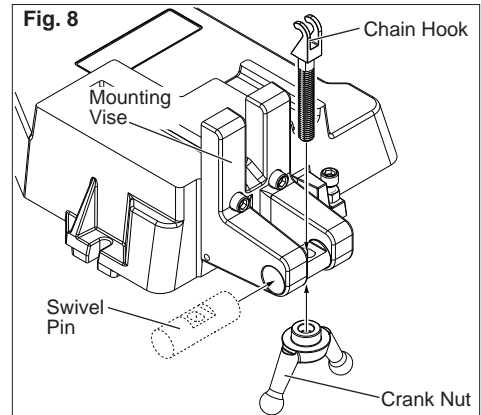
Loosen the two mounting block clamp nuts approximately three turns and tap the ends of the bolts to free them (Fig. 6a). This will provide maximum movement for adjusting purposes. Line up the back of the tool's workpiece stop with the edge of the support pad (Fig. 6b). This will provide clearance between the work piece stop and large work pieces when the tool is raised to the "locked" position. Place the square against the vertical supports of the mounting vice and the side of the blade, above the teeth (Fig. 7). Grasp the handle and pivot the tool until the side of the blade is flush with the square. Securely tighten the mounting block clamp nuts (Fig. 6a).

NOTE: After following the complete assembly instructions, make a few trial cuts to be sure the blade is square with the stock. With the tool unplugged/battery removed, make minor adjustments as necessary.



Vice Assembly

Insert the swivel pin into the hole in the mounting vice and center it. Position the chain hook with the fingers facing the table and insert into the recessed hole in the swivel pin. Thread the crank nut onto the chain hook until the threads are at least even with the bottom of the crank nut (Fig. 8).



For corded Band Saws: After the table is completely assembled and adjusted, place the power cord over the top of the tool and secure it to the mounting bracket.

APPLICATIONS

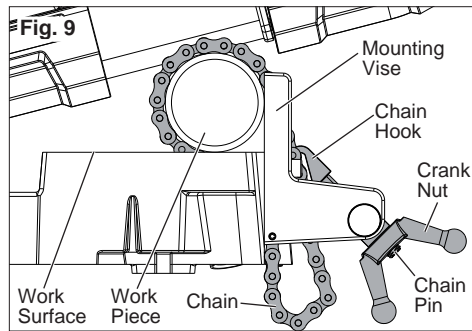
⚠ WARNING Always support overhanging stock on both sides of the blade to prevent tip-ping of the table and to control the cut-off piece.

Clamping the Stock

With the mounting bracket locked in the upright position, place the stock on the work surface and against the vertical vice supports.

Support overhanging stock on both sides of the blade to prevent tipping of the table and to control the cut-off piece. Use care to prevent binding of the blade.

Wrap the chain around the workpiece and drop the excess chain between the chain hook and the back of the vice. Lift the hook and place it over the highest chain pin it can easily reach. Tighten the crank nut to securely clamp the workpiece in place (Fig. 9).



Typical Application

⚠ WARNING Always wear safety goggles or safety glasses with side shields when cutting.

NOTE: After the table is completely assembled and adjusted, a trial cut should be made to be sure the blade is square with the stock. If the cut is not square, or the blade binds, unplug the tool/ remove battery pack and make minor adjustments as necessary.

1. With the mounting bracket locked in the upright position, clamp the workpiece in a stable position that will permit the greatest number of teeth to be in contact with the workpiece at one time.
2. Select the proper blade for the job.
3. Release the locking pin.
4. Keep hands away from the table.
5. Grasp the tool handle firmly and pull the trigger. Allow the tool to reach the selected speed before lowering onto the workpiece. Allow the weight of the saw to do the work.
6. If the blade makes a clicking sound as it passes through the workpiece, it may be defective. Stop the tool. Unplug the tool/remove battery pack, inspect and replace the blade if necessary.
7. When the cut is complete, release the trigger and allow the blade to come to a complete stop before removing the workpiece or cut-off portion from the table.
8. Raise the tool to the locked position, release the clamp and remove workpiece and cut-off portion.

Removing Band Saw from Table

1. Unplug tool/remove battery pack.
2. Unclamp and remove workpiece.
3. With the tool in the upright position, release locking pin and lower tool to the machined work surface.
4. Use the hex wrench to remove the screw that secures the tool to the mounting bracket and remove the tool.
5. Replace the front handle and handle screw on the tool, and tighten securely with the hex wrench.

ACCESSORIES

⚠ WARNING Always remove battery pack before changing or removing accessories. Only use accessories specifically recommended for this tool. Others may be hazardous.

For a complete listing of accessories refer to your *MILWAUKEE* Electric Tool catalog or go online to www.milwaukeeetool.com. To obtain a catalog, contact your local distributor or service center.

MAINTENANCE

⚠ WARNING To reduce the risk of injury, always unplug the charger and remove the battery pack from the charger or tool before performing any maintenance. Never disassemble the tool, battery pack or charger. Contact a *MILWAUKEE* service facility for ALL repairs.

Maintaining Tool

Keep your tool, battery pack and charger in good repair by adopting a regular maintenance program. After six months to one year, depending on use, return the tool, battery pack and charger to A *MILWAUKEE* service facility for:

- Lubrication
- Mechanical inspection and cleaning (gears, spindles, bearings, housing, etc.)
- Electrical inspection (battery pack, charger, motor)
- Testing to assure proper mechanical and electrical operation

If the tool does not start or operate at full power with a fully charged battery pack, clean the contacts on the battery pack. If the tool still does not work properly, return the tool, charger and battery pack, to a *MILWAUKEE* service facility for repairs.

⚠ WARNING To reduce the risk of personal injury and damage, never immerse your tool, battery pack or charger in liquid or allow a liquid to flow inside them.

Cleaning

Clean dust and debris from charger and tool vents. Keep tool handles clean, dry and free of oil or grease. Use only mild soap and a damp cloth to clean the tool, battery pack and charger since certain cleaning agents and solvents are harmful to plastics and other insulated parts. Some of these include gasoline, turpentine, lacquer thinner, paint thinner, chlorinated cleaning solvents, ammonia and household detergents containing ammonia. Never use flammable or combustible solvents around tools.

Repairs

For repairs, return the tool, battery pack and charger to the nearest service center.

LIMITED WARRANTY - USA AND CANADA

Every MILWAUKEE power tool (including cordless product – tool, battery pack(s) - see separate & distinct CORDLESS BATTERY PACK LIMITED WARRANTY statements & battery charger and Work Lights*) is warranted to the original purchaser only to be free from defects in material and workmanship. Subject to certain exceptions, MILWAUKEE will repair or replace any part on an electric power tool which, after examination, is determined by MILWAUKEE to be defective in material or workmanship for a period of five (5) years* after the date of purchase unless otherwise noted. Return of the power tool to a MILWAUKEE factory Service Center location or MILWAUKEE Authorized Service Station, freight prepaid and insured, is required. A copy of the proof of purchase should be included with the return product. This warranty does not apply to damage that MILWAUKEE determines to be from repairs made or attempted by anyone other than MILWAUKEE authorized personnel, misuse, alterations, abuse, normal wear and tear, lack of maintenance, or accidents.

*The warranty period for, Job Site Radios, M12™ Power Port, M18™ Power Source, and Trade Titan™ Industrial Work Carts is one (1) year from the date of purchase. The warranty period for a LED Work Light and LED Upgrade Bulb is a limited LIFETIME warranty to the original purchaser only, if during normal use the LED bulb fails the Work Light or Upgrade Bulb will be replaced free of charge.

*This warranty does not cover Air Nailers & Stapler, Airless Paint Sprayer, Cordless Battery Packs, Gasoline Driven Portable Power Generators, Hand Tools, Hoist – Electric, Lever & Hand Chain, M12™ Heated Jackets, Reconditioned product and Test & Measurement products. There are separate and distinct warranties available for these products.

Warranty Registration is not necessary to obtain the applicable warranty on a MILWAUKEE power tool product. The manufacturing date of the product will be used to determine the warranty period if no proof of purchase is provided at the time warranty service is requested.

ACCEPTANCE OF THE EXCLUSIVE REPAIR AND REPLACEMENT REMEDIES DESCRIBED HEREIN IS A CONDITION OF THE CONTRACT FOR THE PURCHASE OF EVERY MILWAUKEE PRODUCT. IF YOU DO NOT AGREE TO THIS CONDITION, YOU SHOULD NOT PURCHASE THE PRODUCT. IN NO EVENT SHALL MILWAUKEE BE LIABLE FOR ANY INCIDENTAL, SPECIAL, CONSEQUENTIAL OR PUNITIVE DAMAGES, OR FOR ANY COSTS, ATTORNEY FEES, EXPENSES, LOSSES OR DELAYS ALLEGED TO BE AS A CONSEQUENCE OF ANY DAMAGE TO, FAILURE OF, OR DEFECT IN ANY PRODUCT INCLUDING, BUT NOT LIMITED TO, ANY CLAIMS FOR LOSS OF PROFITS. SOME STATES DO NOT ALLOW THE EXCLUSION OR LIMITATION OF INCIDENTAL OR CONSEQUENTIAL DAMAGES, SO THE ABOVE LIMITATION OR EXCLUSION MAY NOT APPLY TO YOU. THIS WARRANTY IS EXCLUSIVE AND IN LIEU OF ALL OTHER EXPRESS WARRANTIES, WRITTEN OR ORAL. TO THE EXTENT PERMITTED BY LAW, MILWAUKEE DISCLAIMS ANY IMPLIED WARRANTIES, INCLUDING WITHOUT LIMITATION ANY IMPLIED WARRANTY OF MERCHANTABILITY OR FITNESS FOR A PARTICULAR USE OR PURPOSE; TO THE EXTENT SUCH DISCLAIMER IS NOT PERMITTED BY LAW, SUCH IMPLIED WARRANTIES ARE LIMITED TO THE DURATION OF THE APPLICABLE EXPRESS WARRANTY AS DESCRIBED ABOVE. SOME STATES DO NOT ALLOW LIMITATIONS ON HOW LONG AN IMPLIED WARRANTY LASTS, SO THE ABOVE LIMITATION MAY NOT APPLY TO YOU. THIS WARRANTY GIVES YOU SPECIFIC LEGAL RIGHTS, AND YOU MAY ALSO HAVE OTHER RIGHTS WHICH VARY FROM STATE TO STATE. This warranty applies to product sold in the U.S.A. and Canada only.

Please consult the 'Service Center Search' in the Parts & Service section of MILWAUKEE's website www.milwaukeekeetool.com or call 1.800.SAWDUST (1.800.729.3878) to locate your nearest service facility for warranty and non-warranty service on a Milwaukee electric power tool.

LIMITED WARRANTY - MEXICO, CENTRAL AMERICA AND CARIBBEAN

TECHTRONIC INDUSTRIES' warranty is for 5 year since the original purchase date.

This warranty card covers any defect in material and workmanship on this Power Tool.

To make this warranty valid, present this warranty card, sealed/stamped by the distributor or store where you purchased the product, to the Authorized Service Center (ASC). Or, if this card has not been sealed/stamped, present the original proof of purchase to the ASC.

Call toll-free 1 800 832 1949 to find the nearest ASC, for service, parts, accessories or components.

Procedure to make this warranty valid

Take the product to the ASC, along with the warranty card sealed/stamped by the distributor or store where you purchased the product, and there any faulty piece or component will be replaced without cost for you. We will cover all freight costs relative with this warranty process.

Exceptions

This warranty is not valid in the following situations:

- When the product is used in a different manners from the end-user guide or instruction manual.
 - When the conditions of use are not normal.
 - When the product was modified or repaired by people not authorized by TECHTRONIC INDUSTRIES.
- Note: If cord set is damaged, it should be replaced by an Authorized Service Center to avoid electric risks.

SERVICE AND ATTENTION CENTER
Av Presidente Mazarik 29 Piso 7, 11570 Chapultepec Morales
Miguel Hidalgo, Distrito Federal, Mexico
Ph. 52 55 4160-3547

IMPORTED AND COMMERCIALIZED BY:
TECHTRONIC INDUSTRIES MEXICO, .S.A. DE C.V.
Av Presidente Mazarik 29 Piso 7, 11570 Chapultepec Morales
Miguel Hidalgo, Distrito Federal, Mexico

Model: _____

Date of Purchase: _____

Distributor or Store Stamp: _____

RÈGLES DE SÉCURITÉ GÉNÉRALES RELATIVES AUX OUTILS ÉLECTRIQUES

AVERTISSEMENT LIRE TOUTES LES RÈGLES ET INSTRUCTIONS DE SÉCURITÉ. Ne pas suivre l'ensemble des règles et instructions peut entraîner une électrocution, un incendie ou des blessures graves. **Conserver les règles et les instructions à des fins de référence ultérieure.** Le terme «outil électrique» figurant dans les avertissements ci-dessous renvoie à l'outil électrique à alimentation par le réseau (à cordon) ou par batterie (sans fil).

SÉCURITÉ DU LIEU DE TRAVAIL

- **Maintenir la zone de travail propre et bien éclairée.** Les zones encombrées ou mal éclairées sont favorables aux accidents.
- **Ne pas utiliser d'outil électrique dans une atmosphère explosive, telle qu'en en présence de liquides, de gaz ou de poussières inflammables.** Les outils électriques génèrent des étincelles qui peuvent enflammer les poussières ou les fumées.
- **Tenir les enfants et les personnes non autorisées à l'écart pendant le fonctionnement d'un outil électrique.** Un manque d'attention de l'opérateur risque de lui faire perdre le contrôle de l'outil.

SÉCURITÉ ÉLECTRIQUE

- **La fiche de l'outil électrique doit correspondre à la prise d'alimentation. Ne jamais modifier la fiche d'une manière quelconque. Ne pas utiliser d'adaptateur avec les outils électriques mis à la terre (à la masse).** Des fiches non modifiées et des prises d'alimentation assorties réduisent le risque de choc électrique.
- **Éviter tout contact corporel avec des surfaces reliées à la masse ou à la terre telles que tuyaux, radiateurs, cuisinières et réfrigérateurs.** Un risque de choc électrique plus élevé existe si le corps est relié à la masse ou à la terre.
- **Ne pas exposer les outils électriques à la pluie ou à l'humidité.** Le risque de choc électrique augmente si de l'eau s'infiltré dans un outil électrique.
- **Prendre soin du cordon. Ne jamais utiliser le cordon pour transporter, tirer ou débrancher l'outil électrique. Tenir le cordon à l'écart de la chaleur, des huiles, des arêtes coupantes ou des pièces en mouvement.** Un cordon endommagé ou emmêlé présente un risque accru de choc électrique.
- **Se procurer un cordon d'alimentation approprié en cas d'utilisation d'un outil électrique à l'extérieur.** L'utilisation d'un cordon d'alimentation pour usage extérieur réduit le risque de choc électrique.
- **S'il est nécessaire d'utiliser l'outil électrique dans un endroit humide, installer un disjoncteur différentiel (GFCI).** L'utilisation d'un GFCI réduit le risque de déchargé électrique.

SÉCURITÉ INDIVIDUELLE

- **Être sur ses gardes, être attentif et faire preuve de bon sens en utilisant un outil électrique. Ne pas utiliser un outil électrique en cas de fatigue ou sous l'influence de drogues, d'alcool ou de médicaments.** Un instant d'inattention lors de l'utilisation d'un outil électrique peut entraîner des blessures graves.
- **Porter l'équipement de protection requis. Toujours porter une protection oculaire.** Selon les conditions, porter aussi un masque anti-poussières, des bottes de sécurité antidérapantes, un casque

protecteur ou une protection auditive afin de réduire les blessures.

- **Empêcher les démarrages accidentels. S'assurer que la gâchette est en position d'arrêt avant de brancher l'outil à une source de courant, d'insérer la batterie, de le ramasser ou de le transporter.** Le fait de transporter l'outil en gardant le doigt sur la gâchette ou de le brancher lorsque la gâchette est en position de marche favorise les accidents.
- **Retirer toute clé de réglage avant de mettre l'outil sous tension.** Une clé laissée attachée sur une pièce mobile de l'outil électrique peut entraîner des blessures.
- **Ne pas travailler à bout de bras. Bien garder un bon équilibre à tout instant.** Ceci permet de mieux préserver la maîtrise de l'outil électrique dans des situations imprévues.
- **Porter des vêtements adéquats. Ne pas porter de vêtements amples ni de bijoux. Ne pas approcher les cheveux, vêtements et gants des pièces en mouvement.** Les vêtements amples, les bijoux ou les cheveux longs risquent d'être happés par les pièces en mouvement.
- **Si des dispositifs sont prévus pour l'extraction et la récupération des poussières, vérifier qu'ils sont connectés et utilisés correctement.** L'utilisation de ces dispositifs peut réduire les risques liés aux poussières.

UTILISATION ET ENTRETIEN DE L'OUTIL ÉLECTRIQUE

- **Ne pas forcer l'outil électrique. Utiliser l'outil électrique approprié à l'application considérée.** L'outil électrique adapté au projet considéré produira de meilleurs résultats, dans des conditions de sécurité meilleures, à la vitesse pour laquelle il a été conçu.
- **Ne pas utiliser l'outil électrique si le commutateur ne le met pas sous ou hors tension.** Tout outil électrique dont le commutateur de marche-arrêt est inopérant est dangereux et doit être réparé.
- **Débrancher la fiche de la prise d'alimentation et/ou la batterie de l'outil électrique avant d'effectuer des réglages, de changer d'accessoires ou de ranger l'outil.** De telles mesures de sécurité préventive réduisent le risque de mettre l'outil en marche accidentellement.
- **Ranger les outils électriques inutilisés hors de la portée des enfants et ne pas laisser des personnes qui connaissent mal les outils électriques ou ces instructions utiliser ces outils.** Les outils électriques sont dangereux dans les mains d'utilisateurs non formés à leur usage.
- **Entretien des outils électriques. S'assurer de l'absence de tout désalignement ou de grippage des pièces mobiles, de toute rupture de pièce ou de toute autre condition qui pourrait affecter le bon fonctionnement de l'outil électrique. En cas de dommages, faire réparer l'outil avant de**

l'utiliser de nouveau. Les outils électriques mal entretenus sont à la source de nombreux accidents.

- **Garder les outils de coupe affûtés et propres.** Les outils de coupe correctement entretenus et bien affûtés risquent moins de se gripper et sont plus faciles à manier.
- **Utiliser l'outil électrique, les accessoires, les grains etc. conformément à ces instructions en tenant compte des conditions de travail et de la tâche à effectuer.** L'utilisation de cet outil électrique pour effectuer une opération pour laquelle il n'est pas conçu peut occasionner une situation dangereuse.

UTILISATION ET ENTRETIEN DE LA BATTERIE



- **Ne recharger la batterie qu'avec le chargeur spécifié par le fabricant.** Un chargeur qui convient à un type de batterie peut créer un risque d'incendie s'il est utilisé avec un autre type de batterie.
- **N'utiliser les outils électriques qu'avec les batteries spécialement conçues pour eux.** L'utilisation de batteries d'autres marques peut créer un risque de blessure et d'incendie.
- **Lorsque la batterie est hors service, la ranger à l'écart d'autres objets métalliques tels que trombones, pièces de monnaie, clés, clous, vis et autres petits objets métalliques qui peuvent établir une connexion d'une borne à l'autre.** Un court-circuit aux bornes de la batterie peut provoquer des brûlures ou un incendie.

• **Du liquide peut être éjecté de la batterie en cas de manutention abusive ; éviter tout contact. En cas de contact accidentel avec les projections, rincer à l'eau. En cas de contact avec les yeux, consulter un médecin.** Le liquide s'échappant de la batterie peut provoquer des irritations ou des brûlures.

ENTRETIEN

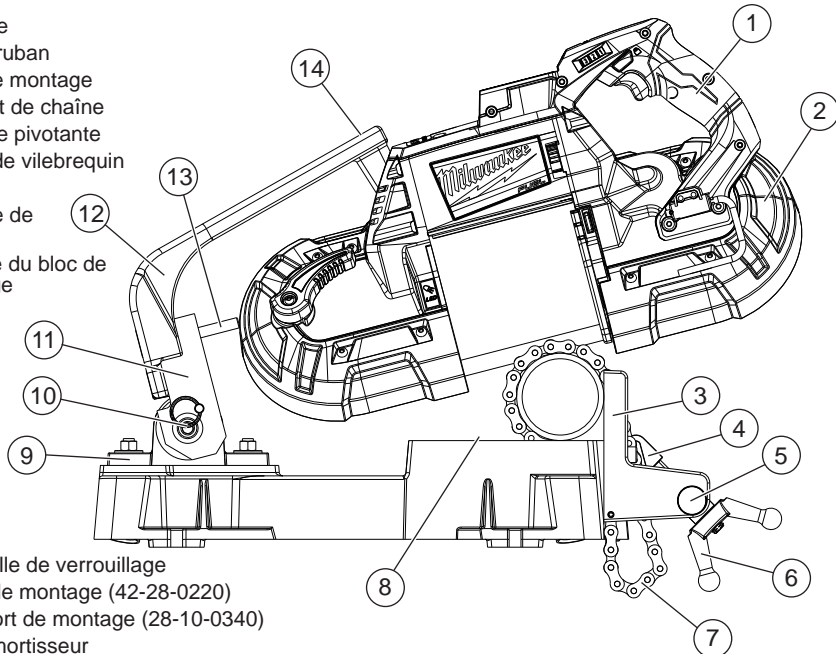
- **Faire effectuer l'entretien de l'outil électrique par un technicien qualifié qui n'utilisera que des pièces de rechange identiques.** La sécurité d'utilisation de l'outil en sera préservée.



PICTOGRAPHIE

	Marque de conformité CE
	AVERTISSEMENT! Pour réduire les risques de blessures, l'utilisateur doit lire et veiller à bien comprendre le manuel d'utilisation.

DESCRIPTION FONCTIONNELLE

- Poignée
- Scie à ruban
- Étau de montage
- Crochet de chaîne
- Goupille pivotante
- Écrou de vilebrequin
- Chaîne
- Surface de travail
- Attache du bloc de montage
- Goupille de verrouillage
- Bloc de montage (42-28-0220)
- Support de montage (28-10-0340)
- Vis amortisseur
- Vis de fixation de la poignée avant



Bloc/support de montage	À utiliser avec :
28-10-0340/42-28-0220 (installé) 	La plupart des nouveaux modèles de scies à ruban de MILWAUKEE, tels que : Scie à ruban Fuel™ M18™ 2729-20 Scie à ruban à vitesse variable pour sciage par trait haut 6232-20 Scie à ruban pour sciage par trait haut 6238-20
28-10-0325/42-28-0250 (livré dans un carton séparé) 	La plupart des anciens modèles de scies à ruban de MILWAUKEE, tels que : Scie à ruban pour sciage par trait haut M28™/ V28™ 0729-20 Scie à ruban pour sciage par trait haut 6223 Scie à ruban pour sciage par trait haut 6225 Scie à ruban pour sciage par trait haut 6230 Scie à ruban 6232 Scie à ruban pour sciage par trait haut 6232N Scie à ruban pour sciage par trait haut 6236 Scie à ruban pour sciage par trait haut 6236N

MONTAGE

Montage sur la surface de travail

La table de la scie à ruban de MILWAUKEE doit être montée sur une surface de travail métallique ou en bois à l'aide de quatre boulons. S'assurer de choisir un emplacement avec suffisamment d'espace libre de chaque côté pour permettre la découpe de longues pièces.

- **AVERTISSEMENT** Pour réduire le risque de blessure résultant du basculement, utiliser des pieds de même longueur fournissant une hauteur confortable de travail. Garder la table à niveau, placer le stand de façon sécurisée sur la surface de travail. Soutient des pièces suspendues.

Montage sur pieds portables

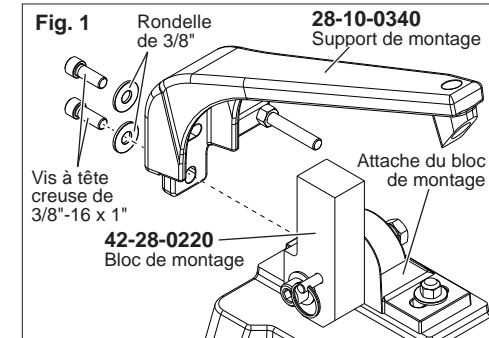
La table de scie à ruban de MILWAUKEE est équipée de quatre raccords de tuyaux, situés sur le dessous de la table pour s'adapter aux tuyaux filetés de 3/4". Ces raccords peuvent être utilisés comme des pieds. Ceci convertit la table en un stand. Les pieds ne sont pas fournis avec la table. La longueur des pieds doit être inférieure à 790 mm (31").

Installation du support de montage

- **AVERTISSEMENT** Pour réduire le risque de blessure, toujours débrancher l'outil ou retirer le bloc-pile avant de le monter ou de le démonter de la table. Ne pas transporter la scie lorsqu'elle est attachée à la table.

À utiliser avec les scies à ruban qui nécessitent le support de montage 28-10-0340 ou le bloc de montage 42-28-0220

La table de la scie à ruban de MILWAUKEE est livrée avec le bloc de montage 42-28-0220 installé. Une fois la table correctement montée sur un établi ou sur des pieds, placer le bloc de montage dans la position indiquée à la Fig 1. Aligner les trous du support de montage avec les trous du bloc de montage, et fixer avec les rondelles et les vis à tête creuse, tel qu'illustré (Fig. 1).

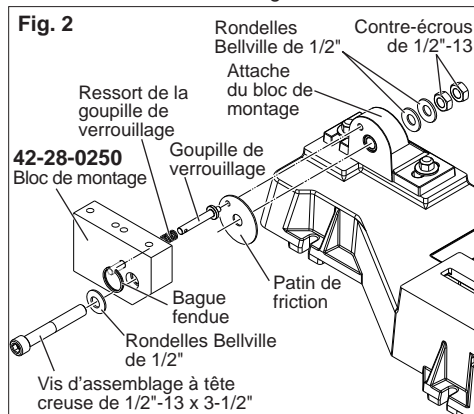


À utiliser avec les scies à ruban qui nécessitent le support de montage 28-10-0325 ou le bloc de montage 42-28-0250

La table de la scie à ruban de MILWAUKEE est livrée avec le bloc de montage 42-28-0220 installé. Pour utiliser les anciennes scies à ruban de MILWAUKEE, le bloc de montage 42-28-0220 doit être retiré et le bloc de montage 42-28-0250 doit être installé.

Une fois la table correctement montée sur un établi ou sur des pieds (Fig. 2) :

REMARQUE : Conserver toutes les pièces pour assembler le bloc de montage 42-28-0250.



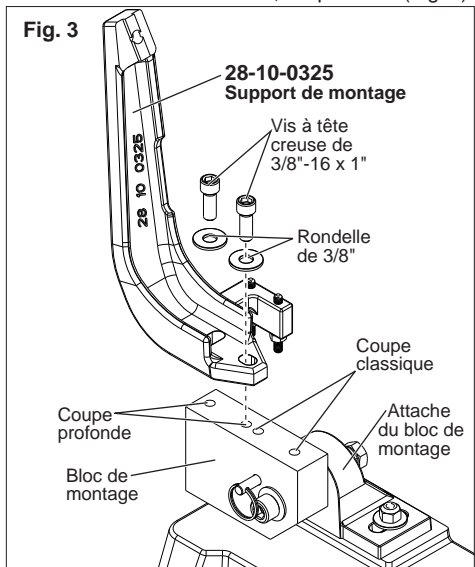
Retrait du bloc de montage 42-28-0220

- Démonter la goupille de verrouillage en retirant la bague fendue de l'extrémité de la goupille. Retirer la goupille et le ressort depuis l'autre côté du bloc de montage.
- Retirer la vis d'assemblage à tête creuse, les rondelles, les écrous et le patin de friction du bloc de montage.

Installation du bloc de montage 42-28-0250

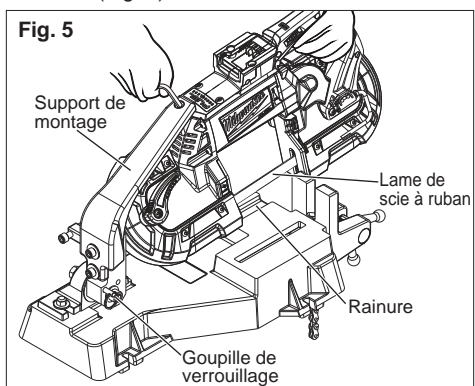
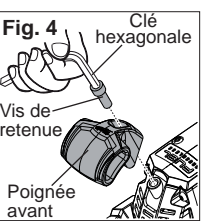
- Faire glisser le ressort de la goupille de verrouillage sur celle-ci, puis l'insérer dans le bloc de montage depuis le côté de l'attache du bloc de montage. Insérer la bague fendue dans l'extrémité de la goupille.
- Placer le petit trou excentré du patin de friction sur la goupille de verrouillage, aligner le trou central au grand trou situé dans le bloc de montage.
- Aligner le bloc de montage avec l'attache du bloc de montage, puis fixer avec la vis d'assemblage à tête creuse, les rondelles et les écrous, tel qu'illustré. Appliquer un couple antagoniste aux contre-écrous de 1/2"-13.

Installation du support de montage 28-10-0325
Une fois la goupille de verrouillage placée dans l'attache du bloc de montage, aligner les trous du support de montage 28-10-0325 aux trous du bloc de montage 42-28-0250 (pour des coupes profondes ou classiques), puis fixer à l'aide des rondelles et des vis à tête creuse, tel qu'illustré (Fig. 3).



Fixation de la scie à ruban

- Utiliser la clé hexagonale fournie pour retirer la vis de fixation de la poignée avant et la poignée (Fig. 4). Conserver la poignée pour une utilisation future.
- Retirer la goupille de verrouillage et basculer le support de montage vers l'avant (Fig. 5).



- Vérifier que l'outil est débranché ou que le bloc-pile est retiré.
- Une fois l'outil équipé d'une lame, placer l'outil sur la table avec la lame posée dans la rainure de la surface de travail. Le soutenir par la poignée.
- Aligner la poignée avant et la fente de montage avec la clé dans le support de montage.
- Installer la vis de la poignée avant et serrer fermement.

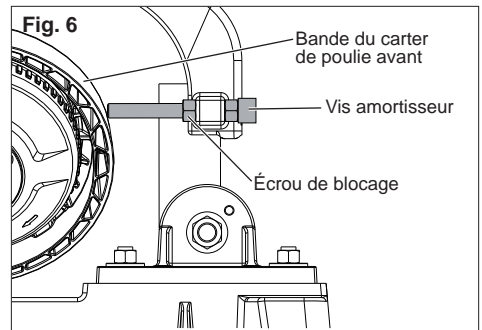
RÉGLAGES

AVERTISSEMENT Pour réduire le risque de blessure, toujours débrancher l'outil ou retirer le bloc-pile avant de procéder aux réglages.

Vis amortisseur

La vis amortisseur vise à empêcher les vibrations pendant que l'outil est en marche.

- Sur les anciens modèles de scies à ruban, serrer trop fort la vis amortisseur réduit la tension de la lame, ce qui peut causer le glissement de la lame.
 - Serrer trop fort la vis amortisseur risque de courber le carter de poulie et peut causer une usure prématurée de la lame.
 - Des vibrations excessives peuvent se produire si la lame est usée et doit être remplacée.
- Débrancher l'outil/retirer le bloc-pile.
 - Une fois l'outil correctement monté, régler la vis amortisseur pour qu'elle soit en contact avec le carter de poulie avant (Fig. 6).
 - Serrer l'écrou de blocage après avoir réglé la vis amortisseur.
 - S'il y a un espacement ou que l'outil ne réalise pas une coupe nette lorsqu'il est en marche, desserrer l'écrou de blocage, insérer une clé hexagonale et serrer fermement la vis contre le carter de poulie avant.

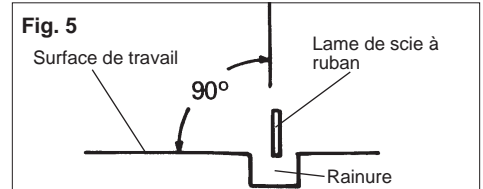


Réglages

Une fois l'outil monté sur la table, vérifier que l'outil et la lame sont bien positionnés par rapport à la table. Deux réglages simplement permettent d'obtenir des coupes droites et parallèles.

Réglage vertical de la lame

Lorsqu'elle est correctement réglée, la lame doit être à un angle de 90° avec la surface de travail (Fig. 5). Insérer la clé hexagonale dans la tête de la vis de fixation de la poignée avant. Placer une équerre sur la surface de travail et contre le côté de la lame, au-dessus des dents. Saisir la poignée à commutateur et faire pivoter l'outil jusqu'à ce que le côté de la lame soit au ras du côté vertical de l'équerre. Serrer fermement les vis inférieures et supérieures du support de montage.

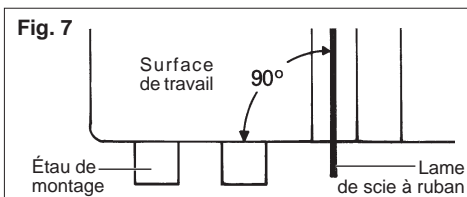
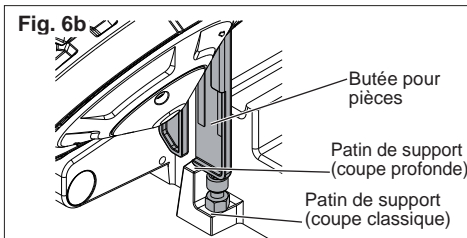
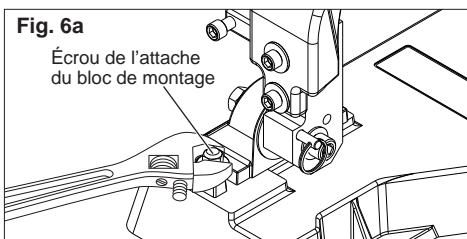


AVERTISSEMENT Sur les scies à ruban dotées de butées pour pièces réglables, étendre la pièce de tout son long avant de poser le patin de support. Autrement, la lame de la scie pourrait toucher la table de la scie à ruban.

Réglage parallèle de la lame

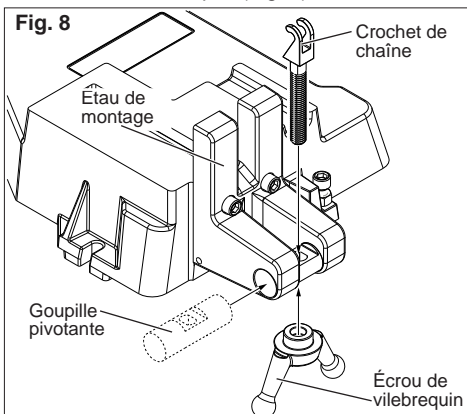
Desserrer les deux écrous de serrage du bloc de montage d'environ trois tours et tarauder les extrémités des boulons pour les libérer (Fig. 6a). Cela permettra un mouvement optimal pour procéder au réglage. Aligner l'arrière de la butée pour pièces de l'outil avec le bord du patin de support (Fig. 6b). Cela permettra d'obtenir un espace entre la butée et les grandes pièces lorsque l'outil est relevé en position « verrouillée ». Placer l'équerre contre les supports verticaux de l'étau de montage et le côté de la lame, au-dessus des dents (Fig. 7). Saisir la poignée et faire pivoter l'outil jusqu'à ce que le côté de la lame soit au ras de l'équerre. Serrer fermement les écrous de serrage du bloc de montage (Fig. 6a).

REMARQUE : après avoir suivi toutes les instructions d'assemblage, réaliser quelques essais de coupes pour s'assurer que la lame concorde avec les pièces. Une fois l'outil débranché/la batterie retirée, effectuer des réglages mineurs selon les besoins.



Assemblage de l'étau

Insérer la goupille pivotante dans le trou de l'étau de montage, puis centrer. Placer le crochet de chaîne avec les doigts, face à la table, et l'insérer dans le trou fraisé de la goupille pivotante. Fileter l'écrou de vilebrequin sur le crochet de chaîne jusqu'à ce que le filetage soit au moins aligné avec le dessous de l'écrou du vilebrequin (Fig. 8).



Pour les scies à ruban raccordées : Une fois la table entièrement assemblée et réglée, placer le cordon d'alimentation sur le dessus de l'outil et le fixer au support de montage.

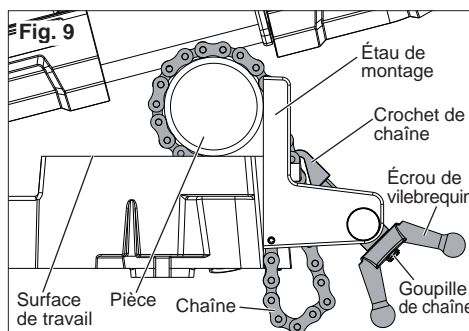
APPLICATIONS

AVERTISSEMENT Toujours soutenir les pièces suspendues par les deux côtés de la lame pour éviter le basculement de la table et pour vérifier la chute.

Blocage des pièces

Une fois le support de montage verrouillé en position verticale, placer les pièces sur la surface de travail et contre les supports verticaux de l'étau. Soutenir les pièces suspendues par les deux côtés de la lame pour éviter le basculement de la table et pour vérifier la chute. Faire attention à ne pas coincer la lame.

Enrouler la chaîne autour de la pièce et laisser tomber l'excès de chaîne entre le crochet de chaîne et l'arrière de l'étau. Soulever le crochet et le placer sur la goupille de chaîne la plus haute qu'il peut atteindre. Serrer l'écrou de vilebrequin pour bloquer correctement la pièce (Fig. 9).



Application typique

AVERTISSEMENT Toujours porter des lunettes de sécurité munies d'écrans latéraux lors des découpes.

REMARQUE : Une fois la table entièrement assemblée et réglée, un essai de coupe doit être réalisé pour s'assurer que la lame concorde avec les pièces. Si la coupe n'est pas nette, ou si la lame se coince, débrancher l'outil/retirer le bloc-pile et effectuer des réglages mineurs selon les besoins.

1. Une fois le support de montage verrouillé en position verticale, bloquer la pièce dans une position stable qui permettra au maximum de dents d'être en contact simultanément avec la pièce.
2. Sélectionner la lame adaptée au travail.
3. Desserrer la goupille de verrouillage.
4. Garder les mains à l'écart de la table.
5. Saisir la poignée de l'outil fermement et presser la gâchette. Laisser l'outil atteindre la vitesse choisie avant de l'abaisser sur la pièce. Laisser le poids de la scie faire le travail.
6. Si la lame émet un déclic sonore lorsqu'elle traverse la pièce, elle peut être défectueuse. Arrêter l'outil. Débrancher l'outil/retirer le bloc-pile, inspecter et replacer la lame si nécessaire.
7. Une fois la coupe terminée, relâcher la gâchette et laisser la lame s'arrêter complètement avant de retirer la pièce ou la chute de la table.
8. Relever l'outil dans la position verrouillée, relâcher le système de blocage et retirer la pièce et la chute.

Retrait de la scie à ruban de la table

1. Débrancher l'outil/retirer le bloc-pile.
2. Libérer et retirer la pièce.
3. Une fois l'outil en position verticale, desserrer la goupille de verrouillage et abaisser l'outil sur la surface de travail usinée.
4. Utiliser la clé hexagonale pour enlever la vis servant à fixer l'outil sur le support de montage et retirer l'outil.
5. Remplacer la poignée avant et la vis de la poignée sur l'outil, puis serrer fermement à l'aide de la clé hexagonale.

ACCESSOIRES

AVERTISSEMENT Retirez toujours la batterie avant de changer ou d'enlever les accessoires. L'utilisation d'autres accessoires que ceux qui sont spécifiquement recommandés pour cet outil peut comporter des risques.

Pour une liste complète des accessoires, prière de se reporter au catalogue MILWAUKEE Electric Tool ou visiter le site internet www.milwaukeetool.com. Pour obtenir un catalogue, il suffit de contacter votre distributeur local ou l'un des centres-service.

ENTRETIEN

AVERTISSEMENT Pour minimiser les risques de blessures corporelles, débranchez le chargeur et retirez la batterie du chargeur ou de l'outil avant d'y effectuer des travaux d'entretien. Ne démontez jamais l'outil, la batterie ou le chargeur. Pour toute réparation, consultez un centre de service MILWAUKEE accrédité.

Entretien de l'outil

Gardez l'outil, la batterie et le chargeur en bon état en adoptant un programme d'entretien ponctuel. Après une période de six mois à un an, selon l'utilisation, renvoyez l'outil, la batterie et le chargeur à un centre de service MILWAUKEE accrédité pour les services suivants:

- Lubrification
- Inspection et nettoyage de la mécanique (engrenages, pivots, coussinets, boîtier etc.)
- Inspection électrique (batterie, chargeur, moteur)
- Vérification du fonctionnement électromécanique

Si l'outil ne démarre pas ou ne fonctionne pas à pleine puissance alors qu'il est branché sur une batterie complètement chargée, nettoyez les points de contact entre la batterie et l'outil. Si l'outil ne fonctionne toujours pas correctement, renvoyez l'outil, le chargeur et la batterie à un centre de service MILWAUKEE accrédité, afin qu'on en effectue la réparation (voir "Réparations").

AVERTISSEMENT Pour minimiser les risques de blessures ou de dommages à l'outil, n'immergez jamais l'outil, la batterie ou le chargeur et ne laissez pas de liquide s'y infiltrer.

Nettoyage

Débarrassez les événements du chargeur et de l'outil des débris et de la poussière. Gardez les poignées de l'outil propres, à sec et exemptes d'huile ou de graisse. Le nettoyage de l'outil, du chargeur et de la batterie doit se faire avec un linge humide et un savon doux. Certains nettoyants tels l'essence, la térébenthine, les diluants à laque ou à peinture, les solvants chlorés, l'ammoniaque et les détergents d'usage domestique qui en contiennent pourraient détériorer le plastique et l'isolation des pièces. Ne laissez jamais de solvants inflammables ou combustibles auprès de l'outil.

Réparations

Pour les réparations, retournez outil, batterie et chargeur en entier au centre-service le plus près.

GARANTIE LIMITÉE - AUX ÉTATS-UNIS ET AU CANADA

Chaque outil électrique MILWAUKEE (y compris les produits sans fil [outils, piles, chargeur de piles, lampe de travail]; consulter les énoncés de la GARANTIE LIMITÉE DES BLOCS-PILES SANS FIL) est garanti à l'acheteur d'origine être exempt de vice de matériau et de fabrication. Sous réserve de certaines exceptions, MILWAUKEE réparera ou remplacera toute pièce d'un outil électrique qui, après examen par MILWAUKEE, s'est avérée être affectée d'un vice de matériau ou de fabrication pendant une période de cinq (5) ans* après la date d'achat, sauf indication contraire. Retourner l'outil électrique, à un centre de réparations en usine MILWAUKEE ou à un poste d'entretien agréé MILWAUKEE, en port prépayé et assuré. Une copie de la preuve d'achat doit être présentée au moment de retourner le produit. Cette garantie ne couvre pas les dommages que MILWAUKEE détermine être causés par des réparations ou des tentatives de réparation par quiconque autre que le personnel agréé par MILWAUKEE, des utilisations incorrectes, des altérations, des utilisations abusives, une usure normale, une carence d'entretien ou des accidents.

*La période de garantie applicable pour les radios de chantier, le port d'alimentation M12™, Source d'énergie M18™, et les chariots de travail industriels Trade Titan™ est d'une durée d'un (1) an à partir de la date d'achat. La période de la garantie couvrant la lampe de travail à DEL et l'ampoule améliorée à DEL est une garantie À VIE limitée à l'acheteur d'origine seulement; si, lors d'une utilisation normale, l'ampoule à DEL présente une défectuosité, la lampe de travail et l'ampoule seront remplacées sans frais.

*Cette garantie ne s'applique pas aux cloueuses-agrafeuses pneumatiques, aux pulvérisateurs à peinture sans air, aux blocs piles pour outils sans fil, aux génératrices d'alimentation portatives à essence, aux outils à main, au montage – électrique, à levier et à chaîne (manuel), aux vestes chauffantes M12™, aux produits résinés, ni aux produits d'essai et de mesure. Il existe des garanties distinctes pour ces produits.

L'enregistrement de la garantie n'est pas nécessaire pour bénéficier de la garantie en vigueur sur un outil électrique MILWAUKEE. La date de fabrication du produit servira à établir la période de garantie si aucune preuve d'achat n'est fournie lorsqu'une demande de service sous garantie est présentée.

L'ACCEPTATION DES RECOURS EXCLUSIFS DE RÉPARATION ET DE REMPLACEMENT DÉCRITS AUX PRÉSENTS EST UNE CONDITION DU CONTRAT D'ACHAT DE TOUT PRODUIT MILWAUKEE. SI VOUS N'ACCEPTÉZ PAS CETTE CONDITION, VOUS NE DEVEZ PAS ACHETER LE PRODUIT. EN AUCUN CAS MILWAUKEE NE SAURAIT ÊTRE RESPONSABLE DE TOUT DOMMAGE ACCESSOIRE, SPÉCIAL OU INDIRECT, DE DOMMAGES-INTÉRÊTS PUNITIFS OU DE TOUTE DÉPENSE, D'HONORAIRES D'AVOCATS, DE FRAIS, DE PERTE OU DE DÉLAIS ACCESSOIRES À TOUT DOMMAGE, DÉFAILLANCE OU DÉFAUT DE TOUT PRODUIT, Y COMPRIS NOTAMMENT LES PERTES DE PROFIT. CERTAINS ÉTATS ET PROVINCES NE PERMETTANT PAS L'EXCLUSION OU LA LIMITATION DES DOMMAGES DIRECTS OU INDIRECTS, LES RESTRICTIONS CI-DESSUS PEUVENT NE PAS ÊTRE APPLICABLES. CETTE GARANTIE EST EXCLUSIVE ET REMPLACE TOUTE AUTRE GARANTIE EXPRESSE, QU'ELLE SOIT ORALE OU ÉCRITE. DANS LA MESURE PERMISE PAR LA LOI, MILWAUKEE RENONCE À TOUTE GARANTIE IMPLICITE, Y COMPRIS, SANS S'Y LIMITER, TOUTE GARANTIE IMPLICITE DE QUALITÉ MARCHANDE OU D'ADAPTATION À UNE UTILISATION OU À UNE FIN PARTICULIÈRE, DANS LA MESURE OU UNE TELLE STIPULATION D'EXONÉRATION N'EST PAS PERMISE PAR LA LOI, LA DURÉE DE CES GARANTIES IMPLICITES EST LIMITÉE À LA PÉRIODE APPLICABLE DE LA GARANTIE EXPRESSE, TEL QUE DÉCRIT PRÉCÉDEMMENT. CERTAINS ÉTATS ET PROVINCES NE PERMETTANT PAS DE LIMITATION DE DURÉE DES GARANTIES IMPLICITES, LES RESTRICTIONS CI-DESSUS PEUVENT NE PAS ÊTRE APPLICABLES. LA PRÉSENTE CONFÈRE À L'UTILISATEUR DES DROITS LÉGAUX PARTICULIERS; IL BÉNÉFICIE ÉGALEMENT D'AUTRES DROITS QUI VARIENT D'UN ÉTAT À L'AUTRE.

Cette garantie s'applique aux produits vendus aux États-Unis et au Canada uniquement.

Veuillez consulter la rubrique Centre SAV MILWAUKEE, dans la section Pièces & Service du site Web de MILWAUKEE, à l'adresse www.milwaukeeool.com, ou composer le 1-800-SAWDUST (1-800-729-3878) afin de trouver le centre de réparations en usine MILWAUKEE le plus près.

GARANTIE LIMITÉE – MEXIQUE, AMÉRIQUE CENTRALE ET CARAÏBES

TECHTRONIC INDUSTRIES' garantit le produit pendant cinq ans à partir de la date d'achat d'origine. Le présent bon de garantie couvre tous les vices de matériau et de fabrication qui peut afficher cet outil électrique. Pour assurer la validité de la présente garantie, veuillez présenter le bon de commande, estampillé du sceau du distributeur ou du magasin où le produit a été acheté, au centre de réparations agréé. Si le bon de commande n'a pas été estampillé, veuillez fournir la preuve d'achat d'origine au centre de réparations agréé. Pour un entretien, des pièces, des accessoires ou d'autres composants, composer sans frais le 1-800-832-1949 afin d'obtenir les coordonnées du centre de réparations agréé le plus près.

Procédure pour assurer la validité de la garantie

Présenter le produit au centre de réparations agréé, accompagné du bon de commande estampillé du sceau du distributeur ou du magasin où le produit a été acheté. Toute pièce défectueuse ou tout composant défectueux sera remplacé sans frais. Milwaukee assume tous les frais de transport liés à ce processus de garantie.

Exceptions

La garantie ne s'applique pas dans les situations suivantes :

- Si le produit a été utilisé pour une fin autre que celle indiquée dans le guide de l'utilisateur final ou le manuel d'instructions.
- Si les conditions d'utilisations ne sont pas habituelles.
- Si le produit a été modifié ou réparé par une personne non autorisée par TECHTRONIC INDUSTRIES.

Note : Si le cordon électrique est endommagé, il doit être remplacé par un centre de réparations agréé pour éviter les risques d'électrocution.

CENTRE DE RÉPARATIONS ET DE SERVICE
Av Presidente Mazarik 29 Piso 7, 11570 Chapultepec Morales
Miguel Hidalgo, Distrito Federal, Mexico
Ph. 52 55 4160-3547

IMPORTÉ ET COMMERCIALISÉ PAR :
TECHTRONIC INDUSTRIES MEXICO, S.A. DE C.V.
Av Presidente Mazarik 29 Piso 7, 11570 Chapultepec Morales
Miguel Hidalgo, Distrito Federal, Mexico

Modèle : _____

Date d'achat : _____

Sceau du distributeur ou du magasin : _____

ADVERTENCIAS DE SEGURIDAD GENERALES PARA LA HERRAMIENTA ELÉCTRICA

⚠ ADVERTENCIA LEA TODAS LAS ADVERTENCIAS E INSTRUCCIONES DE SEGURIDAD. Si no sigue todas las advertencias e instrucciones, se pueden provocar una descarga eléctrica, un incendio o lesiones graves.

Guarde todas las advertencias e instrucciones para consultarlas en el futuro. El término "herramienta eléctrica" en todas las advertencias incluidas más abajo se refiere a su herramienta operada por conexión (cable) a la red eléctrica o por medio de una batería (inalámbrica).

SEGURIDAD EN EL ÁREA DE TRABAJO

- **Mantenga limpia y bien iluminada el área de trabajo.** Las áreas desordenadas u oscuras contribuyen a que se produzcan accidentes.
- **No utilice herramientas eléctricas en atmósferas explosivas, como en la presencia de líquidos, gases o polvo inflamables.** Las herramientas eléctricas crean chispas que pueden incendiar el polvo o las emanaciones.
- **Mantenga a los niños y otras personas alejadas mientras utiliza una herramienta eléctrica.** Las distracciones pueden hacerle perder el control.

SEGURIDAD ELÉCTRICA

- **Los enchufes de las herramientas eléctricas deben ser del mismo tipo que el tomacorrientes. Nunca realice ningún tipo de modificación en el enchufe. No use enchufes adaptadores con herramientas eléctricas con conexión a tierra.** Se reducirá el riesgo de descarga eléctrica si no se modifican los enchufes y los tomacorrientes son del mismo tipo.
- **Evite el contacto corporal con superficies con conexión a tierra, como tuberías, radiadores, estufas y refrigeradores.** El riesgo de descarga eléctrica aumenta si su cuerpo está conectado a tierra.
- **No exponga la herramientas eléctricas a la lluvia o a condiciones de humedad.** El agua que entra en una herramienta eléctrica aumenta el riesgo de descarga eléctrica.
- **No abuse del cable. Nunca use el cable para transportar la herramienta eléctrica, tirar de ella o desenchufarla. Mantenga el cable alejado del calor, los bordes afilados o las piezas en movimiento.** Los cables dañados o enmarañados aumentan el riesgo de descarga eléctrica.
- **Cuando se utiliza una herramienta eléctrica en el exterior, use una extensión que sea apropiada para uso en el exterior.** El uso de un cable apropiado para el exterior reduce el riesgo de descarga eléctrica.
- **Si debe operar una herramienta eléctrica en un lugar húmedo, utilice un suministro protegido por un interruptor de circuito con conexión a tierra (GFCI).** Usar un GFCI reduce el riesgo de que se produzcan descargas eléctricas.

SEGURIDAD PERSONAL

- **Manténgase alerta, ponga cuidado a lo que está haciendo y use el sentido común cuando utilice una herramienta eléctrica. No use una herramienta eléctrica cuando está cansado o bajo la influencia de drogas, alcohol o medicamentos.** Despistarse un minuto cuando se utiliza una

herramienta eléctrica puede tener como resultado lesiones personales graves.

- **Use un equipo de protección personal. Lleve siempre protección ocular.** Llevar un equipo de protección apropiado para la situación, como una máscara antipolvo, zapatos de seguridad antideslizantes, un casco o protección auditiva, reducirá las lesiones personales.

- **Evite el encendido accidental. Asegúrese de que el interruptor esté en la posición de apagado antes de conectarlo a la toma de alimentación o a la batería, al levantar o mover la herramienta.** Mover herramientas con el dedo en el interruptor o enchufarlas con el interruptor en la posición de encendido contribuye a que se produzcan accidentes.

- **Quite todas las llaves de ajuste antes de encender la herramienta.** Una llave que esté acoplada a una pieza giratoria de la herramienta puede provocar lesiones personales.

- **No se estire demasiado. Mantenga los pies bien asentados y el equilibrio en todo momento.** Esto permite tener mejor control de la herramienta eléctrica en situaciones inesperadas.

- **Vístase de manera apropiada. No lleve ropa suelta ni joyas. Mantenga el cabello, la ropa y los guantes lejos de las piezas en movimiento.** La ropa floja, las joyas o el cabello largo pueden quedar atrapados en las piezas en movimiento.

- **Si se proporcionan dispositivos para la conexión de sistemas de recolección y extracción de polvo, asegúrese de que estén conectados y se usen apropiadamente.** El uso de estos dispositivos puede reducir los peligros relacionados con el polvo.

USO Y CUIDADO DE LAS HERRAMIENTAS ELÉCTRICAS

- **No fuerce la herramienta eléctrica. Use la herramienta eléctrica correcta para la aplicación.** La herramienta eléctrica correcta funcionará mejor y de manera más segura a la velocidad para la que se diseñó.

- **No use la herramienta eléctrica si el interruptor no la enciende ni la apaga.** Cualquier herramienta eléctrica que no se pueda controlar con el interruptor es peligrosa y se debe reparar.

- **Desconecte el enchufe de la toma de alimentación y/o la batería de la herramienta eléctrica antes de realizar cualquier ajuste, cambiar accesorios o almacenar las herramientas eléctricas.** Dichas medidas preventivas de seguridad reducen el riesgo de que la herramienta se prenda accidentalmente.

- **Almacene las herramientas eléctricas fuera del alcance de los niños y no permita que personas no familiarizadas con ellas o estas instrucciones las utilicen.** Las herramientas eléctricas son

peligrosas en las manos de usuarios no capacitados.

• **Mantenimiento de las herramientas eléctricas.** Revise que no haya piezas móviles que estén desalineadas o que se atasquen, piezas rotas ni ninguna otra condición que pueda afectar el funcionamiento de la herramienta eléctrica. Si se encuentran daños, haga que le reparen la herramienta antes de usarla. Las herramientas mal mantenidas son la causa de muchos accidentes.

• **Mantenga las herramientas de corte limpias y afiladas.** Es menos probable que se atasquen las herramientas de corte con filos afilados que se mantienen de manera apropiada y también son más fáciles de controlar.

• **Use la herramienta eléctrica, los accesorios, las brocas, etc. siguiendo estas instrucciones, teniendo en cuenta las condiciones de trabajo y la tarea que se va a realizar.** El uso de la herramienta eléctrica para operaciones diferentes de aquellas para las que se diseñó podría originar una situación peligrosa.

USO Y CUIDADO DE LAS HERRAMIENTAS CON BATERÍA

• **Recárguela solamente con el cargador especificado por el fabricante.** Un cargador que sea apropiado para un tipo de batería puede crear riesgo de incendio cuando se use con otra batería.

• **Use las herramientas eléctricas solamente con baterías específicamente diseñadas.** El uso de cualquier otro tipo de batería puede crear riesgo de lesiones o incendio.

• **Cuando no se use la batería manténgala alejada de otros objetos de metal como clips para papel, monedas, llaves, clavos, tornillos u otros objetos de metal pequeños que puedan realizar una conexión entre los bornes.** Realizar un cortacircuito en los terminales de la batería puede provocar quemaduras o un incendio.

• **Bajo condiciones abusivas, puede salir líquido expulsado de la batería; evitar el contacto.** Si se produce un contacto accidental, lavar con agua. Si el líquido entra en contacto con los ojos buscar ayuda médica adicional. El líquido que sale despedido de la batería puede causar irritaciones o quemaduras.

MANTENIMIENTO

• **Haga que un técnico calificado realice el mantenimiento de la herramienta eléctrica utilizando solamente piezas de repuesto idénticas.** Esto asegurará que se mantiene la seguridad de la herramienta eléctrica.

SIMBOLOGÍA



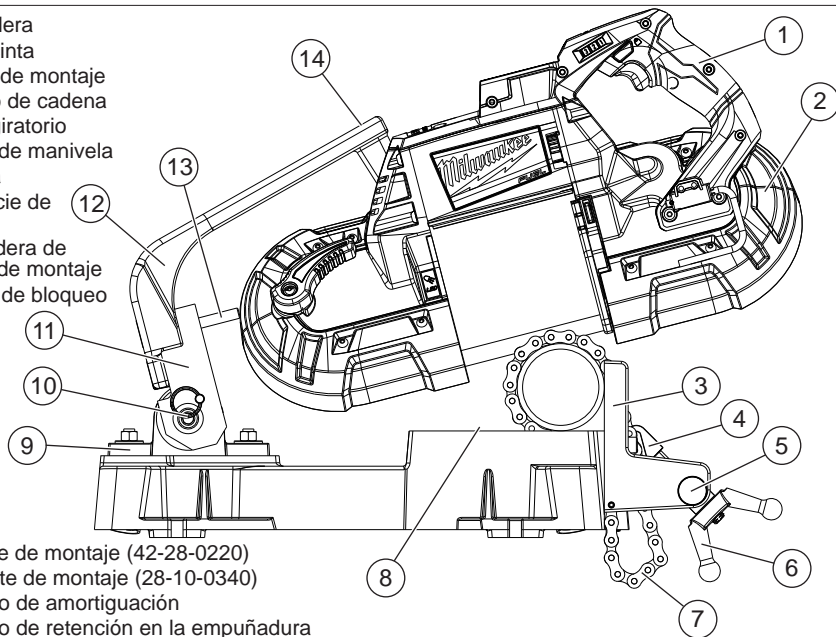
Marca de conformidad CE



¡ADVERTENCIA! Para reducir el riesgo de lesiones personales, el usuario debe leer y comprender el manual del operador.

DESCRIPCION FUNCIONAL

1. Agarradera
2. Sierra cinta
3. Prensa de montaje
4. Gancho de cadena
5. Perno giratorio
6. Tuerca de manivela
7. Cadena
8. Superficie de trabajo
9. abrazadera de bloque de montaje
10. Perno de bloqueo



11. Bloque de montaje (42-28-0220)
12. Soporte de montaje (28-10-0340)
13. Tornillo de amortiguación
14. Tornillo de retención en la empuñadura

Soporte de montaje/bloque	Para usarse con:
28-10-0340/42-28-0220 (Instalado) 	La mayoría de las sierras cinta MILWAUKEE de modelos nuevos, como: Sierra cinta 2729-20 M18™ Fuel™ Sierra cinta de velocidad variable y corte profundo 6232-20 Sierra cinta de corte profundo 6238-20
28-10-0325/42-28-0250 (Empacado por separado en la caja) 	La mayoría de las sierras cinta MILWAUKEE de modelos anteriores, como: Sierra cinta de corte profundo 0729-20 M28™/ V28™ Sierra cinta de corte profundo 6223 Sierra cinta de corte profundo 6225 Sierra cinta de corte profundo 6230 Sierra cinta 6232 Sierra cinta de corte profundo 6232N Sierra cinta de corte profundo 6236 Sierra cinta de corte profundo 6236N

DELANTERA

Montaje en banco de trabajo

La mesa de sierra cinta MILWAUKEE debe montarse en un banco de trabajo de madera o metal con cuatro pernos. Asegúrese de elegir un lugar con suficiente espacio a cada lado para poder cortar materiales largos.

Montaje en patas portátiles

ADVERTENCIA Para reducir el riesgo de lesiones personales ocasionadas por volcaduras, utilice patas de la misma longitud que proporcionen una altura de trabajo cómoda. Mantenga la mesa nivelada, coloque la base firmemente en una superficie nivelada. Apoye el material que sobresalga de la mesa.

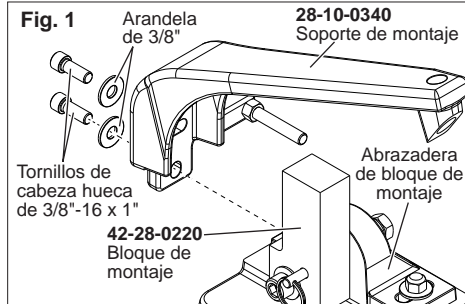
La mesa de sierra cinta MILWAUKEE está equipada con cuatro conectores de tubo, localizados en la parte inferior de la mesa, para insertar patas de tubo roscado de 3/4". Esto convierte la mesa en una base. Las patas no se incluyen con la mesa. La longitud de las patas debe ser de menos de 790 mm (31").

Instalación del soporte de montaje

ADVERTENCIA Para reducir el riesgo de lesiones, siempre desenchufe la herramienta o retire la batería antes de montar o retirar de la mesa. No transporte la sierra cuando esté colocada en la mesa.

Para usarse con sierras cinta que requieren el soporte de montaje 28-10-0340 y el bloque de montaje 42-28-0220.

La mesa de sierra cinta MILWAUKEE se vende con el bloque de montaje 42-28-0220 instalado. Con la mesa debidamente montada en un banco o en patas, coloque el bloque de montaje en la posición que se muestra en la Fig. 1. Alinee los orificios del soporte de montaje con los orificios del bloque de montaje y sujete con las arandelas y los tornillos de cabeza hueca como se muestra (Fig. 1).



Para usarse con sierras cinta que requieren el soporte de montaje 28-10-0325 y el bloque de montaje 42-28-0250.

La mesa de sierra cinta MILWAUKEE se vende con el bloque de montaje 42-28-0220 instalado. Para usar sierras cinta MILWAUKEE de modelos anteriores, debe retirarse el bloque de montaje 42-28-0220 y debe instalarse el bloque de montaje 42-28-0250.

Con la mesa debidamente montada en un banco o en patas (Fig. 2):

NOTA: Retenga toda la tornillería para montar el bloque de montaje 42-28-0250.

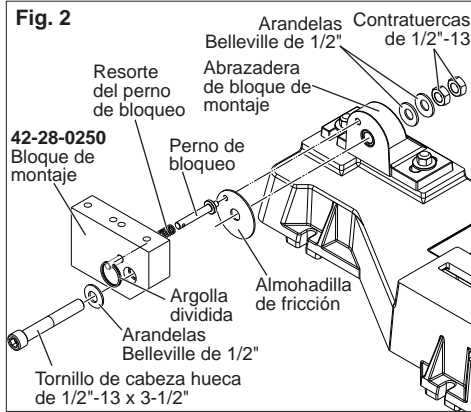
Retirar el bloque de montaje 42-28-0220

1. Desarme el perno de bloqueo quitando la argolla dividida del extremo del perno. Jale para sacar el perno y el resorte del otro lado del bloque de montaje.
2. Retire el tornillo de cabeza hueca, las tuercas y la almohadilla de fricción del bloque de montaje.

Instalación del bloque de montaje 42-28-0250

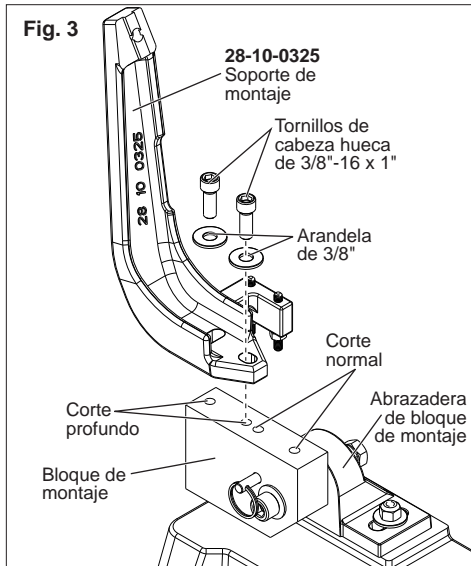
3. Deslice el resorte del perno de bloqueo sobre el perno de bloqueo e insértelo en el bloque de montaje desde el lado de la abrazadera del bloque de montaje. Inserte la argolla dividida en el extremo del perno.
4. Coloque el orificio descentrado pequeño en la almohadilla de fricción sobre el perno de bloqueo, alinee el orificio central con el orificio grande del bloque de montaje.

5. Alinee el bloque de montaje con la abrazadera del bloque de montaje y sujete con el tornillo de cabeza hueca, las arandelas y las tuercas, como se muestra. Aplique torque inverso a las contratueras de 1/2"-13 para unirlos firmemente.



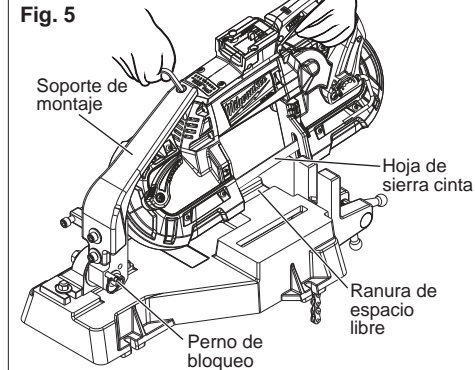
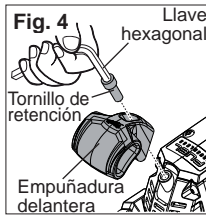
Instalación del soporte de montaje 28-10-0325

6. Con el perno de bloqueo asegurado en la abrazadera del bloque de montaje, alinee los orificios del soporte de montaje 28-10-0325 con los orificios del bloque de montaje 42-28-0250 (para corte profundo o corte normal) y asegúrelos con las arandelas y los tornillos de cabeza hueca como se muestra (Fig. 3).



Instalación de la sierra cinta

1. Use la llave hexagonal provista para retirar la empuñadura delantera, reteniendo el tornillo (Fig. 4). Guarde la empuñadura para uso futuro.
2. Jale hacia fuera el perno de bloqueo y gire el soporte de montaje hacia adelante (Fig. 5).



3. Asegúrese de que la herramienta esté desenchufada o de que la batería esté extraída.
4. Con la herramienta equipada con una hoja, coloque la herramienta en la mesa con la hoja descansando en la ranura de espacio libre en la superficie de trabajo. Apóyela en la empuñadura.
5. Alinee la empuñadura delantera y la ranura de montaje con la llave del soporte de montaje.
6. Instale el tornillo de la empuñadura delantera y apriete firmemente.

AJUSTES

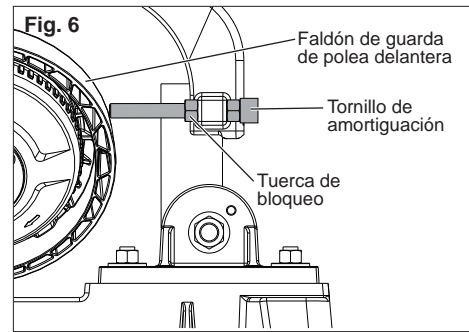
⚠ ADVERTENCIA Para reducir el riesgo de lesiones, siempre desenchufe la herramienta o retire la batería antes de hacer cualquier ajuste.

Tornillo de amortiguación

El tornillo de amortiguación tiene por objeto prevenir la vibración mientras la herramienta esté en operación.

- En modelos anteriores de sierras cinta, apretar en exceso el tornillo de amortiguación ocasionará tensión en la hoja, lo que puede ocasionar deslizamientos de la hoja.
- Apretar excesivamente el tornillo de amortiguación doblará la guarda de polea y potencialmente ocasionará desgaste excesivo en la hoja.
- Puede ocurrir vibración excesiva si la hoja está desgastada y necesita cambiarse.

1. Desconecte la herramienta/extraiga la batería.
2. Con la herramienta correctamente montada, ajuste el tornillo de amortiguación para que entre en contacto con la guarda de polea delantera (Fig. 6).



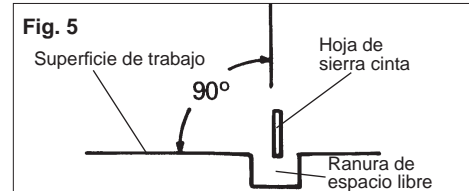
3. Apriete la tuerca de bloqueo después de ajustar el tornillo de amortiguación.
4. En caso de que haya espacio libre o de que la herramienta no corte fácilmente cuando esté en operación, afloje la tuerca de bloqueo, inserte una llave hexagonal y apriete el tornillo firmemente contra la guarda de polea delantera.

Ajustes

Una vez que la herramienta esté montada en la mesa, verifique la posición adecuada de la herramienta y la hoja en relación con la mesa. Dos sencillos ajustes permitirán hacer cortes rectos y paralelos.

Ajuste vertical de la hoja

Cuando está correctamente ajustada, la hoja debe estar a un ángulo de 90° con la superficie de trabajo (Fig. 5). Inserte la llave hexagonal en la cabeza del tornillo de retención de la empuñadura delantera. Coloque una escuadra en la superficie de apoyo del trabajo y contra el costado de la hoja, encima de los dientes. Sujete el mango del interruptor y gire la herramienta hasta que el costado de la hoja esté al ras del lado vertical de la escuadra. Apriete firmemente los tornillos del soporte de montaje superiores e inferiores.



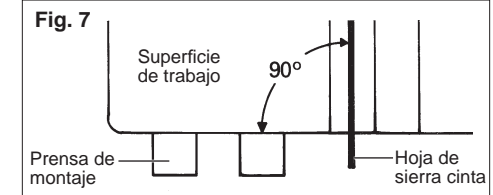
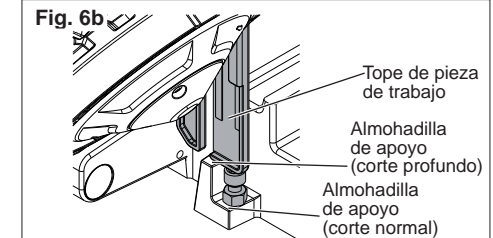
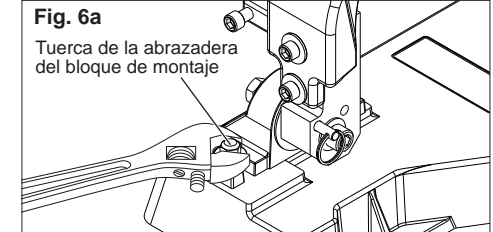
⚠ ADVERTENCIA En sierras cinta con topes de pieza de trabajo ajustables, extienda la pieza de trabajo a su posición más larga antes de colocar la almohadilla de apoyo. De lo contrario, la hoja de la sierra podría golpear la mesa.

Ajuste paralelo de la hoja

Afloje las dos tuercas de la abrazadera del bloque de montaje aproximadamente tres vueltas y golpee ligeramente los extremos de los pernos para liberarlos (Fig. 6a). Esto proporcionará el máximo

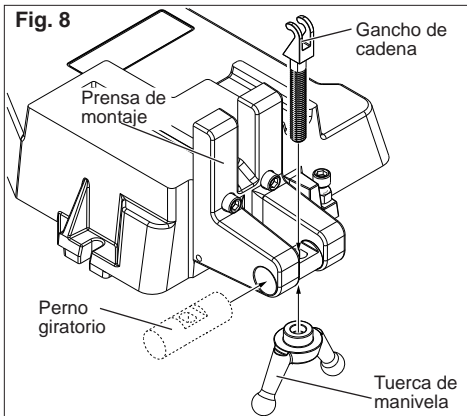
movimiento para fines de ajuste. Alinee la parte posterior del tope de la pieza de trabajo de la herramienta con el borde de la almohadilla de apoyo (Fig. 6b). Esto proporcionará espacio libre entre el tope de la pieza de trabajo y piezas de trabajo grandes cuando la herramienta se levante a la posición "bloqueada". Coloque la escuadra contra los soportes verticales de la prensa de montaje y el costado de la hoja, sobre los dientes (Fig. 7). Sujete la empuñadura y gire en pivote la herramienta hasta que el costado de la hoja esté al ras de la escuadra. Apriete firmemente las tuercas de la abrazadera del bloque de montaje (Fig. 6a).

NOTA: Después de seguir todas las instrucciones de ensamble, haga varios cortes de prueba para asegurarse de que la hoja esté cuadrada con el material. Con la herramienta desconectada/sin batería, haga los ajustes menores que puedan requerirse.



Ensamble de la prensa

Inserte el perno giratorio en el orificio de la prensa de montaje y céntralo. Posicione el gancho de cadena con los dedos de frente a la mesa e insértele en el orificio empotrado del perno giratorio. Enrosque la tuerca de manivela en el gancho de cadena hasta que las cuerdas estén al menos parejas con la parte inferior de la tuerca de manivela (Fig. 8).



Para sierras cinta alámbricas: Después de que la mesa esté completamente armada y ajustada, coloque el cable sobre la parte superior de la herramienta y sujételo al soporte de montaje.

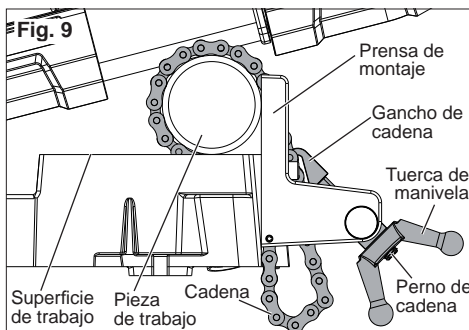
APLICACIÓN

ADVERTENCIA Siempre apoye el material que sobresalga a ambos lados de la hoja para evitar volcaduras de la mesa y para controlar la pieza de corte.

Sujeción del material con abrazadera

Con el soporte de montaje bloqueado en posición vertical, coloque el material en la superficie de trabajo y contra los soportes verticales de la prensa. Apoye el material que sobresalga a ambos lados de la hoja para evitar volcaduras de la mesa y para controlar la pieza de corte. Tenga cuidado para no atascar la hoja.

Enrede la cadena alrededor de la pieza de trabajo y deje caer la cadena sobrante entre el gancho de la cadena y la parte posterior de la prensa. Levante el gancho y colóquelo sobre el perno de la cadena más alto que pueda alcanzar con facilidad. Apriete la tuerca de manivela para sujetar firmemente la pieza de trabajo en su lugar (Fig. 9).



Aplicación típica

ADVERTENCIA Siempre use lentes o gafas de seguridad con protectores laterales al cortar.

NOTA: Después de que la mesa esté completamente armada y ajustada, debe hacerse un corte de prueba para asegurar que la hoja esté cuadrada con el material. Si el corte no está cuadrado, o si la hoja se atasca, desconecte la herramienta/extraiga la batería y haga ajustes menores según se requiera.

1. Con el soporte de montaje bloqueado en posición vertical, sujete la pieza de trabajo en una posición estable que permita que la mayor cantidad de dientes entren en contacto con la pieza de trabajo a la vez.
2. Seleccione la hoja indicada para el trabajo.
3. Libere el perno de bloqueo.
4. Mantenga las manos alejadas de la mesa.
5. Sujete la empuñadura de la herramienta firmemente y jale el gatillo. Permita que la herramienta llegue a la velocidad seleccionada antes de bajarla a la pieza de trabajo. Permita que el peso de la sierra haga el trabajo.
6. Si la hoja hace un sonido de chasquidos al pasar por la pieza de trabajo, puede estar defectuosa. Detenga la herramienta. Desconecte la herramienta/extraiga la batería, inspeccione y cambie la hoja, si es necesario.
7. Cuando el corte esté completo, suelte el gatillo y permita que la hoja se detenga por completo antes de quitar la pieza de trabajo o la porción cortada de la mesa.
8. Levante la herramienta a la posición de bloqueo, libere la abrazadera y quite la pieza de trabajo y la porción cortada.

Para quitar la sierra cinta de la mesa

1. Desconecte la herramienta/extraiga la batería.
2. Suelte la abrazadera y retire la pieza de trabajo.
3. Con la herramienta en posición vertical, libere el perno de bloqueo y baje la herramienta a la superficie de trabajo maquinada.
4. Use la llave hexagonal para quitar el tornillo que sujeta la herramienta al soporte de montaje y retire la herramienta.
5. Vuelva a colocar la empuñadura delantera y el tornillo de la empuñadura en la herramienta, y apriete firmemente con la llave hexagonal.

MANTENIMIENTO

ADVERTENCIA Para reducir el riesgo de una lesión, desconecte siempre la herramienta antes de darle cualquier mantenimiento. Nunca desarme la herramienta ni trate de hacer modificaciones en el sistema eléctrico de la misma. Acuda siempre a un Centro de Servicio MILWAUKEE para TODAS las reparaciones.

Mantenimiento de la herramienta

Adopte un programa regular de mantenimiento y mantenga sus baterías y cargador en buenas condiciones. Después de 6 meses a un año, dependiendo del uso dado, envíe su herramienta, batería y cargador, al Centro de Servicio MILWAUKEE mas cercano para que le hagan:

- Lubricación
- Inspección mecánica y limpieza (engranes, flechas, baleros, carcaza, etc.)
- Inspección eléctrica (batería, cargador, motor)
- Probarla para asegurar una adecuada operación mecánica y eléctrica

Si la herramienta no arranca u opera a toda su potencia con una batería completamente cargada, limpie, con una goma o borrador, los contactos de la batería y de la herramienta. Si aun así la herramienta no trabaja correctamente, regrésela, con el cargador y la batería, a un centro de servicio MILWAUKEE para que sea reparada.

ADVERTENCIA Para reducir el riesgo de una explosión, no quemé nunca una batería, aun si está dañada, "muerta" o completamente descargada.

Limpieza

Limpie el polvo y suciedad de las ventilas del cargador y la herramienta. Mantenga los mangos y empuñaduras limpios, secos y libres de aceite o grasa. Use solo jabón neutro y un trapo húmedo para limpiar la herramienta, batería y el cargador, ya que algunos substancias y solventes limpiadores son dañinos a los plásticos y partes aislantes. Algunos de estos incluyen: gasolina, turpentina, thinner, lacas, thinner para pinturas, solventes para limpieza con cloro, amoníaco y detergentes caseros que tengan amoníaco. Nunca usa solventes inflamables o combustibles cerca de una herramienta.

Reparaciones

Si su herramienta, batería o cargador están dañados, envíela al centro de servicio más cercano.

ACCESORIOS

ADVERTENCIA Para reducir el riesgo de lesiones, siempre extraiga la batería antes de cambiar o retirar accesorios. Utilice únicamente accesorios específicamente recomendados para esta herramienta. El uso de accesorios no recomendados podría resultar peligroso.

Para una lista completa de accesorios, refiérase a su catálogo MILWAUKEE Electric Tool o visite nuestro sitio en Internet: www.milwaukeetool.com. Para obtener un catálogo, contacte su distribuidor local o uno de los centros de servicio.

GARANTÍA LIMITADA - E.U.A. Y CANADÁ

Se garantiza al comprador original que ninguna de las herramientas eléctricas *MILWAUKEE* (incluido el producto inalámbrico, la herramienta y las baterías; consulte las declaraciones distintas y por separado en GARANTÍA LIMITADA DEL PAQUETE DE BATERÍAS INALÁMBRICAS y de las luces de trabajo y del cargador de baterías*) presentan defectos en material ni en mano de obra. En un plazo de cinco (5) años* a partir de la fecha de compra y sujeto a ciertas excepciones, *MILWAUKEE* reparará o reemplazará cualquier parte de una herramienta eléctrica que, luego de ser examinada, *MILWAUKEE* compruebe que presenta defectos en material o mano de obra, a menos que se indique lo contrario. Se requiere la devolución de la herramienta eléctrica a un centro de mantenimiento de la fábrica *MILWAUKEE* o a un centro de reparaciones autorizado por *MILWAUKEE*, con gastos de envío prepagados y asegurados. La devolución del producto debe estar acompañada por un comprobante de compra. Esta garantía no se aplica a los daños que *MILWAUKEE* establece que fueron ocasionados por reparaciones o intentos de reparación por parte de personal no autorizado por *MILWAUKEE*, uso indebido, alteraciones, abuso, desgaste y deterioro normal, falta de mantenimiento o accidentes.

*El período de garantía de las radios para obras, del puerto de alimentación M12™, Fuente de poder M18™, y de las carretillas de trabajo industrial Trade Titan™ es de un (1) año a partir de la fecha de compra. El período de garantía de la lámpara de trabajo con diodo luminiscente y del foco mejorado con diodo luminiscente es una garantía VITALICIA limitada para el comprador original únicamente. Si durante el uso normal el foco de diodo luminiscente no funciona, la lámpara de trabajo o el foco mejorado se reemplazará sin carga.

*Esta garantía no cubre las clavadoras aéreas, las engrapadoras, el rociador de pintura inalámbrico, el paquete de baterías inalámbrico, los generadores eléctricos portátiles que funcionan con gasolina, herramientas manuales, elevadores (eléctricos, con palanca y con cadenas manuales), camisas de calefacción M12™, productos reacondicionados y productos de prueba y medición. Se encuentran disponibles garantías distintas para estos productos.

No se necesita registro de garantía para obtener la garantía correspondiente de un producto eléctrico *MILWAUKEE*. La fecha de fabricación del producto se utilizará para determinar el período de garantía si no se presenta un comprobante de compra en el momento en que se solicita el servicio de garantía.

LA ACEPTACIÓN DE LOS DERECHOS A REPARACIÓN Y REEMPLAZO EXCLUSIVAMENTE DESCRITOS EN EL PRESENTE DOCUMENTO CONSTITUYE UNA CONDICIÓN DEL CONTRATO POR LA COMPRA DE CADA PRODUCTO *MILWAUKEE*. SI NO ACEPTA ESTA CONDICIÓN, NO DEBE COMPRAR EL PRODUCTO. *MILWAUKEE* NO SERÁ EN NINGUN CASO RESPONSABLE DE DAÑOS INCIDENTALES, ESPECIALES, CONSECUENTES O PUNITIVOS, NI DE COSTOS, HONORARIOS DE ABOGADOS, GASTOS, PERDIDAS O DEMORAS SUPUESTAMENTE CAUSADOS COMO CONSECUENCIA DE CUALQUIER DAÑO, FALLA O DEFECTO EN CUALQUIER PRODUCTO, INCLUIDOS, A MODO DE EJEMPLO, RECLAMOS POR PÉRDIDA DE GANANCIAS. ALGUNOS ESTADOS NO PERMITEN LA EXCLUSIÓN O LA LIMITACIÓN DE DAÑOS INCIDENTALES O CONSECUENTES. POR LO TANTO, LAS LIMITACIONES Y EXCLUSIONES ANTERIORES PUEDEN NO APLICARSE PARA USTED. ESTA GARANTÍA ES EXCLUSIVA Y SUSTITUYE A TODAS LAS OTRAS GARANTÍAS EXPRESAS, ESCRITAS U ORALES. SEGÚN LO PERMITA LA LEY, *MILWAUKEE* SE EXIME DE TODA GARANTÍA IMPLÍCITA, INCLUIDOS, A MODO DE EJEMPLO, TODA GARANTÍA IMPLÍCITA DE COMERCIABILIDAD O IDONEIDAD PARA UN USO O PROPÓSITO EN PARTICULAR; EN LA MEDIDA EN QUE DICHA RENUNCIA NO ESTÉ PERMITIDA POR LA LEY, DICHAS GARANTÍAS IMPLÍCITAS ESTÁN LIMITADAS A LA DURACIÓN DE LA GARANTÍA EXPRESA APLICABLE SEGÚN SE DESCRIBE ANTERIORMENTE. ALGUNOS ESTADOS NO PERMITEN LIMITACIONES EN LA DURACIÓN DE UNA GARANTÍA IMPLÍCITA. POR LO TANTO, LA LIMITACIÓN ANTERIOR PUEDE NO APLICARSE PARA USTED. ESTA GARANTÍA LE OTORGA DERECHOS LEGALES ESPECÍFICOS Y TAMBIÉN PUEDE TENER OTROS DERECHOS QUE VARIAN DE ESTADO EN ESTADO.

Esta garantía se aplica a los productos vendidos en los EE. UU. y Canadá.

Consulte 'Service Center Search' (Búsqueda de centro de servicio) en la sección Parts & Services (Piezas y servicios) del sitio web *MILWAUKEE*, www.milwaukeetool.com o llame al **1.800.SAWDUST (1.800.729.3878)** para encontrar su Centro de Servicio de la fábrica de *MILWAUKEE* más cercano.

PÓLIZA DE GARANTÍA - VALIDA SOLO PARA MÉXICO, AMÉRICA CENTRAL Y EL CARIBE

TECHTRONIC INDUSTRIES., garantiza por 5 años este producto a partir de la fecha original de compra.

Esta garantía cubre cualquier defecto que presenten las piezas, componentes y la mano de obra contenidas en este producto. Para América Central y el Caribe se debe confirmar en el Centro de Servicio Autorizado el plazo de la garantía. Para hacer efectiva la Garantía deberá presentar al Centro de Servicio Autorizado la Póliza de Garantía sellada por el establecimiento en donde adquirió el producto. Si no la tienen, podrá presentar el comprobante de compra original. Usted puede llamar sin costo al teléfono 01 800 832 1949 o por correo electrónico a la dirección servicio@ttigroupna.com, para ubicar el Centro de Servicio Autorizado más cercano a su domicilio, en el cual además podrá adquirir partes, componentes, consumibles y accesorios, que usted necesite.

Procedimiento para hacer válida la garantía

Acuda al Centro de Servicio con el producto y la póliza de garantía sellada por el establecimiento donde realizó la compra. Ahí se reemplazará cualquier pieza o componente defectuoso sin cargo alguno para el usuario final. La empresa se hace responsable de los gastos de transportación razonablemente erogados que se deriven del cumplimiento de la presente garantía.

Excepciones

La garantía perderá validez en los siguientes casos:

- Cuando el producto se hubiese utilizado en condiciones distintas a las normales.
- Cuando el producto no hubiese sido operado de acuerdo con el instructivo de uso que le acompaña.
- Cuando el producto hubiese sido alterado o reparado por personas no autorizadas por TECHTRONIC INDUSTRIES.

Nota: Si el cordón de alimentación es dañado, este debe ser reemplazado por el fabricante o por un Centro de Servicio Autorizado para evitar riesgo.

Modelo: _____

Fecha de Compra: _____

Sello del Distribuidor: _____

CENTRO DE SERVICIO Y ATENCIÓN A CLIENTES
Av Presidente Mazarik 29 Piso 7, 11570 Chapultepec Morales
Miguel Hidalgo, Distrito Federal, Mexico
Tel. 52 55 4160-3547

IMPORTADO Y COMERCIALIZADO POR:
TECHTRONIC INDUSTRIES MEXICO, .S.A. DE C.V.
Av Presidente Mazarik 29 Piso 7, 11570 Chapultepec Morales
Miguel Hidalgo, Distrito Federal, Mexico

UNITED STATES MILWAUKEE Service

MILWAUKEE prides itself in producing a premium quality product that is NOTHING BUT HEAVY DUTY®. Your satisfaction with our products is very important to us! If you encounter any problems with the operation of this tool, or you would like to locate the factory Service/Sales Support Branch or authorized service station nearest you, please call...

Additionally, we have a nationwide network of authorized Distributors ready to assist you with your tool and accessory needs. Check your "Yellow Pages" phone directory under "Tools-Electric" for the names & addresses of those nearest you or see the 'Where To Buy' section of our website.

1-800-SAWDUST

(1.800.729.3878)

Monday-Friday
7:00 AM - 6:30 PM
Central Time

or visit our website at

www.milwaukeetool.com

For service information, use the 'Service Center Search' icon found in the 'Parts & Service' section.

Contact our Corporate After Sales Service Technical Support about ...

- Technical Questions
- Service/Repair Questions
- Warranty

call: 1-800-SAWDUST
fax: 1.800.638.9582

email: metproductsupport@milwaukeetool.com

Register your tool online at www.milwaukeetool.com and...

- receive important notifications regarding your purchase
- ensure that your tool is protected under the warranty
- become a HEAVY DUTY club member

CANADA - Service MILWAUKEE

MILWAUKEE prides itself in producing a premium quality product that is NOTHING BUT HEAVY DUTY®. Your satisfaction with our products is very important to us!

If you encounter any problems with the operation of this tool, or you would like to locate the factory Service/Sales Support Branch or authorized service station nearest you, please call...

1.800.268.4015

Monday – Friday 7:00 – 4:30 CST
fax: 866.285.9049

Milwaukee Electric Tool (Canada) Ltd

140 Fernstaff Court, Unit 4 18129 111 Avenue NW
Vaughan, ON L4K 3L8 Edmonton, AB T5S 2P2

Additionally, we have a nationwide network of authorized Distributors ready to assist you with your tool and accessory needs. Call 1.800.268.4015 to find the names and addresses of the closest retailers or consult "Where to buy" on our Web site www.milwaukeetool.com

MILWAUKEE est fier de proposer un produit de première qualité NOTHING BUT HEAVY DUTY®. Votre satisfaction est ce qui compte le plus!

En cas de problèmes d'utilisation de l'outil ou pour localiser le centre de service/ventes ou le centre d'entretien le plus proche, appelez le...

1.800.268.4015

Lundi – Vendredi 7:00 – 4:30 CST
fax: 866.285.9049

Milwaukee Electric Tool (Canada) Ltd

140 Fernstaff Court, Unit 4 18129 111 Avenue NW
Vaughan, ON L4K 3L8 Edmonton, AB T5S 2P2

Notre réseau national de distributeurs agréés se tient à votre disposition pour fournir l'aide technique, l'outillage et les accessoires nécessaires. Composez le 1.800.268.4015 pour obtenir les noms et adresses des revendeurs les plus proches ou bien consultez la section «Où acheter» sur notre site web à l'adresse www.milwaukeetool.com

MEXICO - Soporte de Servicio MILWAUKEE

CENTRO DE ATENCION A CLIENTES

Av. Presidente Masarik 29 Piso 7
CP. 11570. Col. Chapultepec Morales
Del. Miguel Hidalgo, Distrito Federal, México
01-800-8321949

Lunes a Viernes (9am a 6pm)

O contáctanos en www.milwaukeetool.com.mx

Para información de Centros de Servicio busca el icono "Servicio al cliente"- "Contáctanos"

Contacta nuestro servicio técnico para....

- Preguntas Técnicas
- Asesoría, servicio y reparación
- Garantía

Adicionalmente, tenemos una red nacional de distribuidores autorizados listos para ayudarle con su herramienta y sus accesorios. Por favor, llame al 01 800 8321949 para obtener los nombres y direcciones de los más cercanos a usted, o consulte la sección "Dónde Comprar" en nuestro sitio web www.milwaukeetool.com.mx

MILWAUKEE ELECTRIC TOOL CORPORATION

13135 West Lisbon Road • Brookfield, Wisconsin, U.S.A. 53005

58-14-0145d1

05/14

Printed in China

Free Manuals Download Website

<http://myh66.com>

<http://usermanuals.us>

<http://www.somanuals.com>

<http://www.4manuals.cc>

<http://www.manual-lib.com>

<http://www.404manual.com>

<http://www.luxmanual.com>

<http://aubethermostatmanual.com>

Golf course search by state

<http://golfingnear.com>

Email search by domain

<http://emailbydomain.com>

Auto manuals search

<http://auto.somanuals.com>

TV manuals search

<http://tv.somanuals.com>