

58-14-1025

Part Number:

Operator's Manual



Milwaukee Electric Tool Corporation
13135 West Lisbon Road
Brookfield, Wisconsin 53005

Special Instructions:

Operator's manual is 44 pages, 5.5" x 8.5" (ref only), printed double sided.

Variable information: "Printed in" to indicate country in which manual is printed. Finished size to be determined by Tech Lit and print vendor.

Reason: Add warning per Agency for UL requirement..

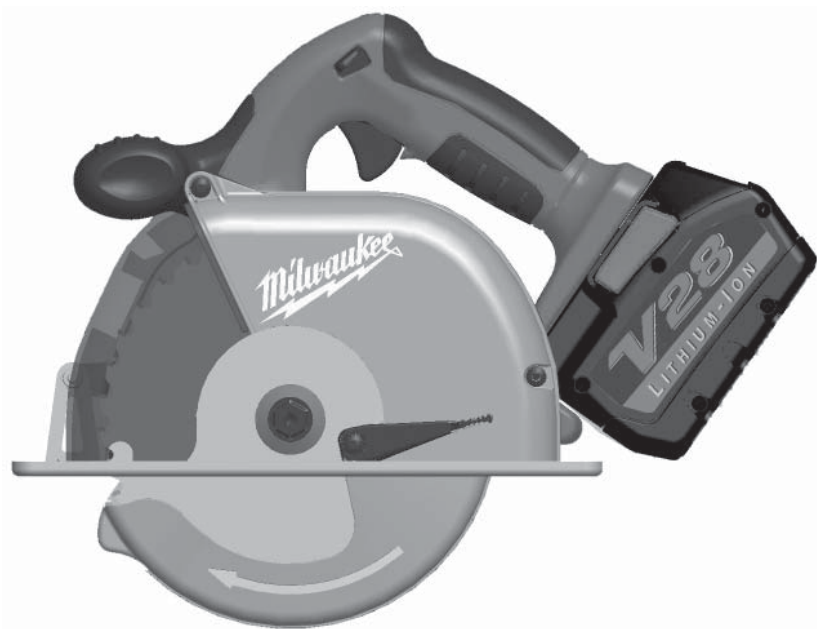
Date	04/07/06			
Drawn By	Kym Goers			
Drawing Number	Revision	A	B	
	ECO #	24586	25088	
	Date	12/06/05	04/07/06	
2				

Checked By	Mechanical Engineer	<i>[Signature]</i>
	Electrical Engineer	<i>[Signature]</i>
	Agency Engineer	<i>[Signature]</i>
	Product Liability Engineer	<i>[Signature]</i>



OPERATOR'S MANUAL
MANUEL de L'UTILISATEUR
MANUAL del OPERADOR

Cat. No.
No de cat.
Cat. No.
0740-20



V28™ METAL CUTTING SAW
SCIE À MÉTAUX **V28™**
SIERRA PARA CORTAR METAL **V28™**

*TO REDUCE THE RISK OF INJURY, USER MUST READ OPERATOR'S MANUAL.
AFIN DE RÉDUIRE LE RISQUE DE BLESSURES, L'UTILISATEUR DOIT LIRE LE
MANUEL DE L'UTILISATEUR.
PARA REDUCIR EL RIESGO DE LESIONES, EL USUARIO DEBE LEER EL MANUAL
DEL OPERADOR.*

GENERAL SAFETY RULES-FOR ALL BATTERY OPERATED TOOLS



WARNING

READ ALL INSTRUCTIONS

Failure to follow all instructions listed below may result in electric shock, fire and/or serious injury. The term "power tool" in all of the warnings listed below refers to your mains-operated (corded) power tool or battery-operated (cordless) power tool.

SAVE THESE INSTRUCTIONS

WORK AREA SAFETY

1. **Keep work area clean and well lit.** Cluttered or dark areas invite accidents.
2. **Do not operate power tools in explosive atmospheres, such as in the presence of flammable liquids, gases, or dust.** Power tools create sparks which may ignite the dust or fumes.
3. **Keep children and bystanders away while operating a power tool.** Distractions can cause you to lose control.

ELECTRICAL SAFETY

4. **Power tool plugs must match the outlet. Never modify the plug in any way. Do not use any adapter plugs with earthed (grounded) power tools.** Unmodified plugs and matching outlets will reduce risk of electric shock.
5. **Avoid body contact with earthed or grounded surfaces such as pipes, radiators, ranges and refrigerators.** There is an increased risk of electric shock if your body is earthed or grounded.
6. **Do not expose power tools to rain or wet conditions.** Water entering a power tool will increase the risk of electric shock.
7. **Do not abuse the cord. Never use the cord for carrying, pulling, or unplugging the power tool. Keep cord away from heat, oil, sharp edges, or moving parts.** Damaged or entangled cords increase the risk of electric shock.
8. **When operating a power tool outdoors, use an extension cord suitable for outdoor use.** Use of a cord suitable for outdoor use reduces the risk of electric shock.

PERSONAL SAFETY

9. **Stay alert, watch what you are doing and use common sense when operating a power tool. Do not use a power tool while you are tired or under the influence of drugs, alcohol or medication.** A moment of inattention while operating power tools may result in serious personal injury.
10. **Use safety equipment. Always wear eye protection.** Safety equipment such as dust mask, non-skid safety shoes, hard hat, or hearing protection used for appropriate conditions will reduce personal injuries.
11. **Avoid accidental starting. Ensure the switch is in the off-position before plugging in.** Carrying tools with your finger on the switch or plugging in power tools that have the switch on invites accidents.
12. **Remove any adjusting key or wrench before turning the power tool on.** A wrench or a key left attached to a rotating part of the power tool may result in personal injury.
13. **Do not overreach. Keep proper footing and balance at all times.** This enables better control of the power tool in unexpected situations.
14. **Dress properly. Do not wear loose clothing or jewellery. Keep your hair, clothing and gloves away from moving parts.** Loose clothes, jewellery, or long hair can be caught in moving parts.
15. **If devices are provided for the connection of dust extraction and collection facilities, ensure these are connected and properly used.** Use of these devices can reduce dust-related hazards.

POWER TOOL USE AND CARE

16. **Do not force the power tool. Use the correct power tool for your application.** The correct power tool will do the job better and safer at the rate for which it was designed.
17. **Do not use the power tool if the switch does not turn it on and off.** Any power tool that cannot be controlled with the switch is dangerous and must be repaired.
18. **Disconnect the plug from the power source and/or the battery pack from the power tool before making any adjustments, changing accessories, or storing power tools.** Such preventive safety measures reduce the risk of starting the tool accidentally.
19. **Store idle power tools out of the reach of children and do not allow persons unfamiliar with the power tools or these instructions to operate power tools.** Power tools are dangerous in the hands of untrained users.
20. **Maintain power tools. Check for misalignment or binding of moving parts, breakage of parts and any other condition that may affect the power tool's operation. If damaged, have the power tool repaired before use.** Many accidents are caused by poorly maintained power tools.
21. **Keep cutting tools sharp and clean.** Properly maintained cutting tools with sharp cutting edges are less likely to bind and are easier to control.
22. **Use the power tool, accessories and tool bits etc., in accordance with these instructions and in the manner intended for the particular type of power tool, taking into account the working conditions and the work to be performed.** Use of the power tool for operations different from those intended could result in a hazardous situation.

BATTERY TOOL USE AND CARE

23. **Ensure the switch is in the off position before inserting battery pack.** Inserting the battery pack into power tools that have the switch on invites accidents.
24. **Recharge only with the charger specified by the manufacturer.** A charger that is suitable for one type of battery pack may create a risk of fire when used with another battery pack.

25. **Use power tools only with specifically designated battery packs.** Use of any other battery packs may create a risk of injury and fire.
26. **When battery pack is not in use, keep it away from other metal objects like paper clips, coins, keys, nails, screws, or other small metal objects that can make a connection from one terminal to another.** Shorting the battery terminals together may cause burns or a fire.
27. **Under abusive conditions, liquid may be ejected from the battery, avoid contact. If contact accidentally occurs, flush with water. If liquid contacts eyes, additionally seek medical help.** Liquid ejected from the battery may cause irritation or burns.

SERVICE

28. **Have your power tool serviced by a qualified repair person using only identical replacement parts.** This will ensure that the safety of the power tool is maintained.

SPECIFIC SAFETY RULES

1. **DANGER!**
 - a) **Keep hands away from cutting area and blade. Keep your second hand on auxiliary handle or motor housing.** If both hands are holding the saw, they cannot be cut by the blade.
 - b) **Do not reach underneath the workpiece.** The guard cannot protect you from the blade below the workpiece.
 - c) **Adjust the cutting depth to the thickness of the workpiece.** Less than a full tooth of the blade teeth should be visible below the workpiece.
 - d) **NEVER hold piece being cut in your hands or across your leg. Secure the workpiece to a stable platform.** It is important to support the work properly to minimize body exposure, blade binding, or loss of control.
 - e) **Hold power tools by insulated gripping surfaces when performing an operation where the cutting tool may contact hidden wiring or its own cord.** Contact with a "live" wire will make exposed metal parts of the tool "live" and shock the operator.

- f) **When ripping always use a rip fence or straight edge guide.** This improves the accuracy of cut and reduces the chance of blade binding.
- g) **Always use blades with correct size and shape (diamond vs. round) arbor holes.** Blades that do not match the mounting hardware of the saw will run eccentrically, causing loss of control.
- h) **Never use damaged or incorrect blade washers or bolts.** The blade washers and bolts were specially designed for your saw, for optimum performance and safety of operation.

2. **Causes and Operator Prevention of KICKBACK:**

KICKBACK is a sudden reaction to a pinched, bound or misaligned saw blade, causing an uncontrolled saw to lift up and out of the workpiece toward the operator.

When the blade is pinched or bound tightly by the kerf closing down, the blade stalls and the motor reaction drives the unit rapidly back toward the operator.

If the blade becomes twisted or misaligned in the cut, the teeth at the back edge of the blade can dig into the top surface of the wood causing the blade to climb out of the kerf and jump back toward operator.

KICKBACK is the result of saw misuse and/or incorrect operating procedures or conditions and can be avoided by taking proper precautions as given below:

- a) **Maintain a firm grip with both hands on the saw and position your arms to resist KICKBACK forces. Position your body to either side of the blade, but not in line with the blade.** KICKBACK could cause the saw to jump backwards, but kickback forces can be controlled by the operator, if proper precautions are taken.
- b) **When blade is binding, or when interrupting a cut for any reason, release the trigger and hold the saw motionless in the material until the blade comes to a complete stop. Never attempt to remove the saw from the**

work or pull the saw backward while the blade is in motion or KICKBACK may occur. Investigate and take corrective actions to eliminate the cause of blade binding.

- c) **When restarting a saw in the workpiece, center the saw blade in the kerf and check that saw teeth are not engaged into the material.** If saw blade is binding, it may walk up or KICKBACK from the workpiece as the saw is restarted.

- d) **Support large panels to minimize the risk of blade pinching and KICKBACK.** Large panels tend to sag under their own weight. Supports must be placed under the panel on both sides, near the line of cut and near the edge of the panel.

- e) **Do not use dull or damaged blade.** Unsharpened or improperly set blades produce narrow kerf causing excessive friction, blade binding and KICKBACK.

- f) **Blade depth and bevel adjusting locking levers must be tight and secure before making cut.** If blade adjustment shifts while cutting, it may cause binding and KICKBACK.

- g) **Use extra caution when making a "Plunge Cut" into existing walls or other blind areas.** The protruding blade may cut objects that can cause KICKBACK.

- 3. **Check lower guard for proper closing before each use. Do not operate the saw if lower guard does not move freely and close instantly.** Never clamp or tie the lower guard into the open position. If saw is accidentally dropped, lower guard may be bent. Raise the lower guard with the retracting handle and make sure it moves freely and does not touch the blade or any other part, in all angles and depths of cut.

- 4. **Check the operation and condition of the lower guard spring. If the guard and the spring are not operating properly, they must be serviced before use.** Lower guard may operate sluggishly due to damaged parts, gummy deposits, or a buildup of debris.

- 5. **Lower guard should be retracted manually only for special cuts such as "Plunge Cuts" and "Compound Cuts". Raise lower guard by retracting handle and as soon as blade enters the material, the lower guard must be released.** For all other sawing, the lower guard should operate automatically.

- 6. **Always observe that the lower guard is covering the blade before placing saw down on bench or floor.** An unprotected, coasting blade will cause the saw to walk backwards, cutting whatever is in its path. Be aware of the time it takes for the blade to stop after switch is released.

- 7. **Maintain labels and nameplates.** These carry important information. If unreadable or missing, contact a MILWAUKEE service facility for a free replacement.

- 8. **WARNING!** Some dust created by power sanding, sawing, grinding, drilling, and other construction activities contains chemicals known to cause cancer, birth defects or other reproductive harm. Some examples of these chemicals are:

- lead from lead-based paint
- crystalline silica from bricks and cement and other masonry products, and
- arsenic and chromium from chemically-treated lumber.

Your risk from these exposures varies, depending on how often you do this type of work. To reduce your exposure to these chemicals: work in a well ventilated area, and work with approved safety equipment, such as those dust masks that are specially designed to filter out microscopic particles.

- 9. **Do not touch material after it has been cut.** Cut material may be very hot.
- 10. **Do not use cutting oil.** The use of cutting oil may cause a fire.
- 11. **Do not use tool near flammable material.** Sparks may cause fire.
- 12. **Do not cut workpieces covered or stained with gas, oil, solvents, thinners, etc.** Exposure to these materials may damage the transparent guard.
- 13. **Do not remove the transparent front guard.** If the transparent front guard is damaged or missing, return tool to authorized service station for replacement.
- 14. **Do not start the blade when in contact with workpiece.** Wait for blade to reach full speed before beginning cut.

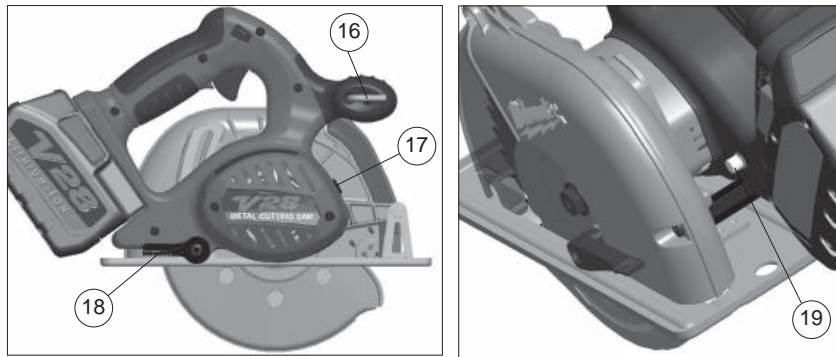
Symbology

	Volts Direct Current
	No Load Revolutions per Minute (RPM)
	Underwriters Laboratories, Inc., United States and Canada

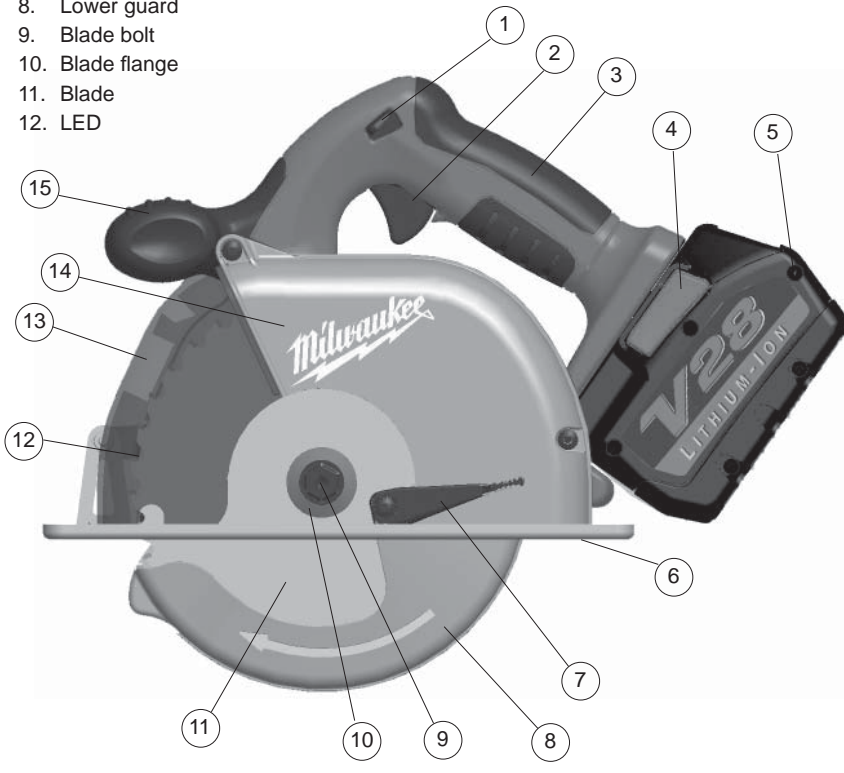
Specifications

Cat. No.	Volts DC	No Load RPM	Blade Size	Arbor	Depth of Cut At 90°
0740-20	28	3 200	6-7/8"	20 mm	0 to 2-3/8"

FUNCTIONAL DESCRIPTION



- | | |
|---------------------------------|-----------------------------|
| 1. Lock-off button | 13. Transparent front guard |
| 2. Trigger | 14. Upper guard |
| 3. Handle | 15. Front handle |
| 4. Battery pack release buttons | 16. Wrench |
| 5. Battery | 17. Spindle lock button |
| 6. Shoe | 18. Depth adjusting lever |
| 7. Lower guard lever | 19. Overload protector |



TOOL ASSEMBLY

WARNING

Recharge only with the charger specified for the battery pack. For specific charging instructions, read the operator's manual supplied with your charger and battery pack.

WARNING

To reduce the risk of injury, always lock trigger or remove battery pack before changing or removing accessories. Only use accessories specifically recommended for this tool. Others may be hazardous.



Inserting a battery pack ← → Removing a battery pack

Removing Battery Pack from Tool

Push in the release buttons and pull the battery pack away from the tool.

Inserting Battery Pack into Tool

To insert the battery pack onto the tool, slide the pack onto the body of the tool. Make sure it latches securely into place.

Selecting Blade

Select a blade appropriate for your application. Refer to the "Accessories" section for a list of blades to be used for the proper applications of this tool.

Always use sharp blades. Dull blades tend to overload the tool and increase the chance of KICKBACK. Only use thin kerf blades with a maximum safe operating speed greater than the no load RPM marked on the tool's nameplate. Read the blade manufacturer's instructions before use. Do not use any type of abrasive cut-off wheel or dry diamond cutting blades. Use the correct blade type for your application. Using the wrong blade may result in reduced performance or damage to the blade. Do not use blades that are cracked or have broken teeth. Do not sharpen ferrous metal cutting blades; see the blade manufacturer's recommendations regarding sharpening.

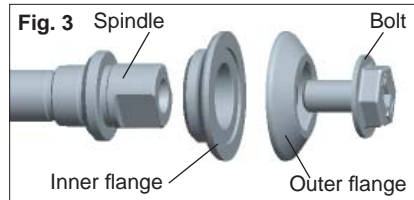
Installing and Removing Blades

1. Remove battery pack.
2. Place the saw on a flat surface with the blade facing upwards. To remove the bolt from the spindle, push in the spindle lock button. While holding in the spindle lock button, use the wrench provided with the tool to turn the bolt clockwise (Fig. 2). Remove the bolt and blade flange.

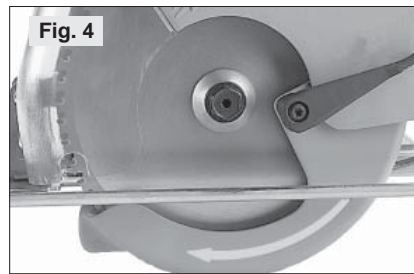


- Slide the lower guard lever up to raise the lower guard. Remove the blade from the spindle. Always clean the spindle, upper guard and lower guard to remove any dirt and dust.

NOTE: Do not remove inner blade flange. Larger diameter of inner flange (Fig. 3) should face the blade.



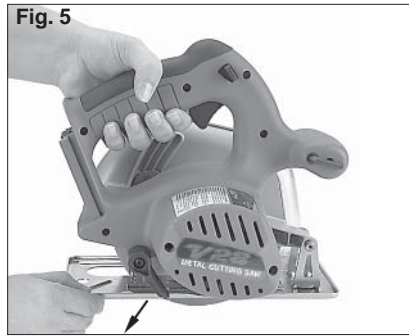
- To install a blade, place the blade on the spindle with the teeth pointing in the same direction as the arrow on the lower guard (Fig. 4). Release the lower guard lever.



- Place the blade flange on the spindle and hand tighten the bolt.
- While holding in the spindle lock button, use the wrench to turn the bolt counter-clockwise and tighten.

Adjusting Depth

- Remove battery pack.
- To adjust the depth of the cut, hold the saw by the handle and loosen the depth adjusting lever by pushing it down toward the shoe (Fig. 5).



- Raise or lower the shoe to the desired position. For the proper depth setting, the blade should extend no more than 1/4" below the material being cut (Fig. 6).



- Lift the depth adjusting lever up towards the motor housing to secure the shoe position.

Transparent Front Guard

The transparent front guard allows easy viewing of the cutting line. If the transparent guard is cracked or broken, return it to a MILWAUKEE service facility for replacement. Never use the metal cutter with a damaged or missing transparent guard.

WARNING

To reduce the risk of injury, do not remove the transparent front guard. If the transparent front guard is damaged or missing, return tool to authorized service station for replacement.

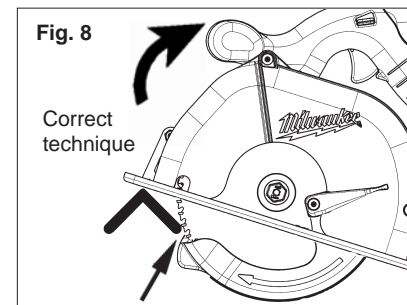
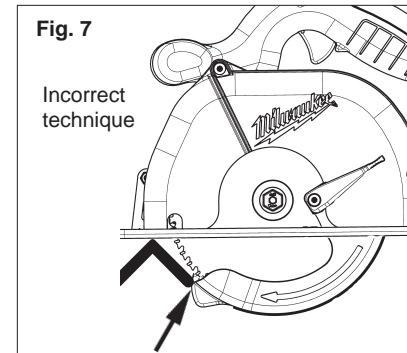
APPLICATIONS

This tool is intended for cutting unhardened ferrous metal, non-ferrous metal, plastics, fiber cement board, and wood. Refer to the "Accessories" section for a list of blades to be used for the proper applications of this tool. The following precautions must be followed to reduce the risk of injury:

- Do not cut stacked materials. Cut one piece at a time.
- Do not cut hardened steel.
- Cut materials with the wider edge of the shoe over the clamped side of the material.
- Do not touch the saw blade, workpiece, or cutting chips with bare hands immediately after cutting; they may be hot and could burn skin.
- Adjust the cutting angle of the blade to the workpiece, so the blade goes through the thinnest sections.

Cutting Angled Materials

When cutting angle materials, tilt the tool back to avoid having the lower guard rest on the angle.



Cutting Thin or Corrugated Materials

Cut thin and corrugated materials at least 1" from the edge of the workpiece to avoid injury or damage to the tool caused by thin strips of metal being pulled into the upper guard.

Cutting Large Sheets

Large sheets sag or bend if they are not correctly supported. If you attempt to cut without leveling and properly supporting the workpiece, the blade will tend to bind, causing KICKBACK.

Support large sheets. Be sure to set the depth of the cut so that you only cut through the workpiece, not through the supports.

When cutting widths greater than 4", clamp or tack 1" lumber to workpiece and use the inside edge of the shoe as a guide.

WARNING

To reduce the risk of electric shock, check work area for hidden pipes and wires before making pocket cuts.

Pocket Cutting

Pocket cuts are made in the middle of the workpiece when it can not be cut from an edge. We recommend using a Sawzall® reciprocating saw or jig saw for this type of cut. However, if you must use a circular saw to make a pocket cut, USE EXTREME CAUTION. To maintain control of the saw during pocket cutting, keep both hands on the saw (Fig. 9).



- Beginning at a corner, line up the sight line with your cutting line. Tilt the saw forward, firmly fixing the front of the shoe

on the workpiece. The blade should be just above cutting line, but not touching it. Raise the lower guard using the lower guard lever.

2. To start the saw, push the lock-off button down while pulling the trigger. Allow the motor to reach full speed before beginning cut. Using the front of the shoe as a hinge point, gradually lower the back end of the saw into the workpiece. Release the lower guard lever and grasp the front handle.

OPERATION



WARNING

To reduce the risk of injury, use only specifically recommended accessories. Others may be hazardous.

Causes and Operator Prevention of KICKBACK:

KICKBACK is a sudden reaction to a pinched, bound or misaligned saw blade, causing an uncontrolled saw to lift up and out of the workpiece toward the operator.

When the blade is pinched or bound tightly by the kerf, or cutting slot, closing down, the blade stalls and the motor reaction drives the unit rapidly back toward the operator.

If the blade becomes twisted or misaligned in the cut, the teeth at the back edge of the blade can dig into the top surface of the wood causing the blade to climb out of the kerf and jump back toward operator.

KICKBACK is the result of tool misuse and/or incorrect operating procedures or conditions and can be avoided by taking proper precautions as given below:

1. **Maintain a firm grip with both hands on the saw and position your body and arm to allow you to resist KICKBACK forces.** KICKBACK forces can be controlled by the operator, if proper precautions are taken.
2. **When blade is binding, or when interrupting a cut for any reason, release the trigger and hold the saw motionless in the material until the blade comes to a complete stop. Never attempt to remove the saw from the**

3. When the shoe rests flat against workpiece, advance the saw to the far corner. Release the trigger and allow the blade to come to a complete stop before removing it from workpiece. Repeat the above steps for each side of the opening. Use a Sawzall® reciprocating saw, jig saw or small hand saw to finish the corners if they are not completely cut through.

work or pull the saw backward while the blade is in motion or KICKBACK may occur. Investigate and take corrective actions to eliminate the cause of blade binding.

3. **When restarting a saw in the workpiece, center the saw blade in the kerf, or cut, and check that saw teeth are not engaged into the material.** If saw blade is binding, it may walk up or KICKBACK from the workpiece as the saw is restarted.
4. **Support large panels to minimize the risk of blade pinching and KICKBACK.** Large panels tend to sag under their own weight. Supports must be placed under the panel on both sides, near the line of cut and near the edge of the panel.
5. **Do not use dull or damaged blades.** Unsharpened or improperly set blades produce narrow kerf causing excessive friction, blade binding and KICKBACK.
6. **Blade depth lever must be tight and secure before making cut.** If blade adjustment shifts while cutting, it may cause binding and KICKBACK.
7. **Use extra caution when making a "Pocket Cut" into existing walls or other blind areas.** The protruding blade may cut objects that can cause KICKBACK.
8. **Set the depth of cut for no more than 1/8" to 1/4" greater than the thickness of the stock.** The less blade exposed, the less chance of binding and KICKBACK. Before cutting, be sure depth and bevel adjustments are tight.

9. **Be cautious of pitchy, knotty, wet or warped stock.** These are most likely to create pinching conditions and possible KICKBACK. Do not rip warped lumber. Avoid cutting nails.
10. **Stay alert.** Any distraction can cause twisting or binding. Repetitive cuts may lull the user into careless movements.



WARNING

To reduce the risk of injury, wear safety goggles or glasses with side shields.

General Operation

Always clamp the workpiece securely on a saw horse or bench (Fig. 10). See "APPLICATIONS" for the correct way to support your work in different situations.



Fig. 10

1. Draw a cutting line. Place the front of the shoe on the edge of the workpiece without making blade contact. Hold the handle with one hand and the front handle with the other (Fig. 11).



Fig. 11

2. Line up the sight line with your cutting line. Position your arms and body to resist KICKBACK.
3. To start the saw, push the lock-off button down while pulling the trigger. Allow the motor to reach full speed before beginning cut.
Note: LED comes on when the lock-off button is pushed down.
4. While cutting, keep the shoe flat against the workpiece and maintain a firm grip.

Do not force the saw through the workpiece. Forcing a saw can cause KICKBACK. Use a light, continuous pressure to make the cut while following the cut line through the transparent guard or sight line.

5. If making a partial cut, restarting in mid-cut or correcting direction, allow the blade to come to a complete stop. To resume cutting, center the blade in the kerf, back the saw away from cutting edge a few inches, push the lock-off button down while pulling the trigger and re-enter the cut slowly.
6. If the saw binds and stalls, maintain a firm grip and release the trigger immediately. Hold the saw motionless in the workpiece until the blade comes to a complete stop.
7. After finishing a cut, be sure the lower guard closes and the blade comes to a complete stop before setting the saw down.

Overload Protector

The overload protector automatically turns off the tool when the motor is overloaded. The tool can become overloaded when using a dull blade or cutting materials too quickly. To prevent the overload protector from activating, always use a sharp blade and follow the cutting instructions under the "Applications" section. Do not attempt to defeat or override the overload protector.

If the tool turns off automatically:

1. Release the trigger.
2. Remove the blade from the workpiece.
3. Reset the overload protector by pushing in the button.

Note: If the tool does not start after pushing the button, allow the tool to cool for a few minutes and try again.

4. Allow the tool to run under no load to ensure the tool has properly cooled.
5. Resume the cut. When restarting a saw in the workpiece, center the saw blade in the kerf, or cut, and check that saw teeth are not engaged into the material. If saw blade is binding, it may walk up or KICKBACK from the workpiece as the saw is restarted.

Troubleshooting

If the blade does not follow a straight line:

- Teeth are dull. This is caused by hitting a hard object such as a nail or stone, dulling teeth on one side. The blade tends to cut to the side with the sharpest teeth.
- Shoe is out of line or bent
- Blade is bent
- Blade is loose.

If the blade binds, smokes or turns blue from friction:

- Blade is dull
- Blade is on backwards
- Blade is bent
- Blade is dirty
- Workpiece is not properly supported
- Incorrect blade is being used
- Battery charge is low

Electric Brake

The electric brake engages when the trigger is released, causing the blade to stop and allowing you to proceed with your work. Generally, the saw blade stops within two seconds. However, there may be a delay between the time you release the trigger and when the brake engages. Occasionally the brake may miss completely. If the brake misses frequently, the saw needs servicing by an authorized MILWAUKEE service facility. The brake is not a substitute for the guard, and you must always wait for the blade to stop completely before removing the saw from the workpiece.

V28™ Lithium-Ion Battery Pack

Unlike other battery pack types, Lithium-Ion battery packs deliver fade-free power for their entire run time. The tool will not experience a slow, gradual loss of power as you work. To signal to you that the V28 battery pack is at the end of its run time and needs to be charged, power to the tool will drop quickly. When this happens, remove the tool from the workpiece and charge the battery pack as needed.

Battery Pack Protection

To protect itself from damage and extend its life, the V28 battery pack's intelligent circuit will turn off the battery pack if its internal temperature becomes too high. This could happen in extremely high torque, binding and stalling situations. The pack must be placed on the charger to turn it back on. The charger's light indicator will flash red, indicating that the pack is too hot. Once the light is continuously red, the pack has cooled and can be used again.

Cold Weather Operation

The V28 Lithium-Ion battery pack can be used in temperatures down to -4°F. When the battery pack is very cold, it may pulse for the first minute of use to warm itself up. Put the battery pack on a tool and use the tool in a light application. After about a minute, the pack will have warmed itself up and operate normally.

MAINTENANCE



WARNING

To reduce the risk of personal injury, always unplug the charger and remove the battery pack from the charger or tool before performing any maintenance. Never disassemble the tool, battery pack or charger. Contact a MILWAUKEE service facility for ALL repairs.

Maintaining Tool

Keep your tool, battery pack and charger in good repair by adopting a regular maintenance program. After six months to one year, depending on use, return the tool, battery pack and charger to a MILWAUKEE service facility for:

- Lubrication
- Brush inspection and replacement
- Mechanical inspection and cleaning (gears, spindles, bearings, housing, etc.)
- Electrical inspection (battery pack, charger, motor)
- Testing to assure proper mechanical and electrical operation

If the tool does not start or operate at full power with a fully charged battery pack, clean the contacts on the battery pack. If the tool still does not work properly, return the tool, charger and battery pack to a MILWAUKEE service facility for repairs.



WARNING

To reduce the risk of personal injury and damage, never immerse your tool, battery pack or charger in liquid or allow a liquid to flow inside them.

Cleaning

Clean out dust and debris from vents and electrical contacts by blowing with compressed air. Keep tool handles clean, dry and free of oil or grease. Use only mild soap and a damp cloth to clean the tool, battery pack and charger, keeping away from all electrical contacts. Certain cleaning agents and solvents are harmful to plastics and other insulated parts. Some of these include gasoline, turpentine, lacquer thinner, paint thinner, chlorinated cleaning solvents, ammonia and household detergents containing ammonia. Never use flammable or combustible solvents around tools.

Repairs

For repairs, return the tool, battery pack and charger to the nearest authorized service center.

ACCESSORIES



WARNING

Always remove battery pack before changing or removing accessories. Only use accessories specifically recommended for this tool. Others may be hazardous.

For a complete listing of accessories refer to your MILWAUKEE Electric Tool catalog or go on-line to www.milwaukeetool.com. To obtain a catalog, contact your local distributor or a service center.

6-7/8" Metal Cutting Blades:

Non-Ferrous Metal Blade

Cat. No. 48-40-4006

Ferrous Metal Blade

Cat. No. 48-40-4016

Fiber Cement Blade

Cat. No. 48-40-4026

FIVE YEAR TOOL LIMITED WARRANTY

Every MILWAUKEE electric power tool (including battery charger) is warranted to the original purchaser only to be free from defects in material and workmanship. Subject to certain exceptions, MILWAUKEE will repair or replace any part on a electric power tool which, after examination, is determined by MILWAUKEE to be defective in material or workmanship for a period of five (5) years* after the date of purchase. Return the electric power tool and a copy of proof of purchase to a MILWAUKEE factory Service/Sales Support Branch location or MILWAUKEE Authorized Service Station, freight prepaid and insured, are requested for this warranty to be effective. This warranty does not apply to damage that MILWAUKEE determines to be from repairs made or attempted by anyone other than MILWAUKEE authorized personnel, misuse, alterations, abuse, normal wear and tear, lack of maintenance, or accidents.

* The warranty period for Hoists (lever, hand chain, & electric chain hoists), Ni-Cd battery packs, Work Lights (cordless flashlights), Job Site Radios, and Trade Titans™ Industrial Work Carts is one (1) year from the date of purchase.

*There is a separate warranty for Li-Ion Battery Packs that accompany the power tools:

*Every MILWAUKEE Li-Ion Battery Pack is covered by an initial 1000 Charges/2 Years free replacement warranty. This means that for the earlier of the first 1000 charges or two (2) years from the date of purchase/first charge, a replacement battery will be provided to the customer for any defective battery free of charge. Thereafter, customers will also receive an additional warranty on a pro rata basis up to the earlier of the first 2000 charges or five (5) Years from the date of purchase/first charge. This means that every customer gets an additional 1000 charges or three (3) years of pro rata warranty on the Li-Ion Battery Pack depending upon the amount of use. During this additional warranty period, the customer pays for only the useable service received over and above the first 1000 Charges/2 years, based on the date of first charge and number of charges found on the battery pack via MILWAUKEE's Service Reader. After 1000 charges/2 years from the date of purchase/first charge, the customer will be charged a prorated amount for the service rendered.

Warranty Registration is not necessary to obtain the applicable warranty on a MILWAUKEE product. However, proof of purchase in the form of a sales receipt or other information deemed sufficient by MILWAUKEE, is requested.

ACCEPTANCE OF THE EXCLUSIVE REPAIR AND REPLACEMENT REMEDIES DESCRIBED HEREIN IS A CONDITION OF THE CONTRACT FOR THE PURCHASE OF EVERY MILWAUKEE PRODUCT. IF YOU DO NOT AGREE TO THIS CONDITION, YOU SHOULD NOT PURCHASE THE PRODUCT. IN NO EVENT SHALL MILWAUKEE BE LIABLE FOR ANY INCIDENTAL, SPECIAL, CONSEQUENTIAL OR PUNITIVE DAMAGES, OR FOR ANY COSTS, ATTORNEY FEES, EXPENSES, LOSSES OR DELAYS ALLEGED TO BE AS A CONSEQUENCE OF ANY DAMAGE TO, FAILURE OF, OR DEFECT IN ANY PRODUCT INCLUDING, BUT NOT LIMITED TO, ANY CLAIMS FOR LOSS OF PROFITS. THIS WARRANTY IS EXCLUSIVE AND IN LIEU OF ALL OTHER WARRANTIES OR CONDITIONS, WRITTEN OR ORAL, EXPRESSED OR IMPLIED. WITHOUT LIMITING THE GENERALITY OF THE FOREGOING, MILWAUKEE DISCLAIMS ANY IMPLIED WARRANTY OF MERCHANTABILITY OR FITNESS FOR A PARTICULAR USE OR PURPOSE, AND ALL OTHER WARRANTIES.

This warranty applies to product sold in the U.S.A., Canada and Mexico only.

Please consult MILWAUKEE's website www.milwaukeetool.com or call 1.800.SAWDUST (1.800.729.3878) to locate your nearest service facility for warranty and non-warranty service on a MILWAUKEE electric power tool.

RÈGLES GÉNÉRALES DE SÉCURITÉ POUR LES OUTILS ALIMENTÉS PAR BATTERIE



AVERTISSEMENT

LIRE SOIGNEUSEMENT TOUTES LES INSTRUCTIONS

Le non respect des instructions ci-après peut entraîner des chocs électriques, des incendies et/ou des blessures graves. Le terme «outil électrique» figurant dans les avertissements ci-dessous renvoie à l'outil électrique à alimentation par le réseau (à cordon) ou par batterie (sans fil).

CONSERVER CES INSTRUCTIONS

SÉCURITÉ DU LIEU DE TRAVAIL

1. **Maintenir la zone de travail propre et bien éclairée.** Les zones encombrées ou mal éclairées sont favorables aux accidents.
2. **Ne pas utiliser d'outil électrique dans une atmosphère explosive, telle qu'en en présence de liquides, de gaz ou de poussières inflammables.** Les outils électriques génèrent des étincelles qui peuvent enflammer les poussières ou les fumées.
3. **Tenir les enfants et les personnes non autorisées à l'écart pendant le fonctionnement d'un outil électrique.** Un manque d'attention de l'opérateur risque de lui faire perdre le contrôle de l'outil.

SÉCURITÉ ÉLECTRIQUE

4. **La fiche de l'outil électrique doit correspondre à la prise d'alimentation. Ne jamais modifier la fiche d'une manière quelconque. Ne pas utiliser d'adaptateur avec les outils électriques mis à la terre (à la masse).** Des fiches non modifiées et des prises d'alimentation assorties réduisent le risque de choc électrique.
5. **Éviter tout contact corporel avec des surfaces reliées à la masse ou à la terre telles que tuyaux, radiateurs, cuisinières et réfrigérateurs.** Un risque de choc électrique plus élevé existe si le corps est relié à la masse ou à la terre.
6. **Ne pas exposer les outils électriques à la pluie ou à l'humidité.** Le risque de choc électrique augmente si de l'eau s'infiltré dans un outil électrique.

7. **Prendre soin du cordon. Ne jamais utiliser le cordon pour transporter, tirer ou débrancher l'outil électrique. Tenir le cordon à l'écart de la chaleur, des huiles, des arêtes coupantes ou des pièces en mouvement.** Un cordon endommagé ou emmêlé présente un risque accru de choc électrique.
8. **Se procurer un cordon d'alimentation approprié en cas d'utilisation d'un outil électrique à l'extérieur.** L'utilisation d'un cordon d'alimentation pour usage extérieur réduit le risque de choc électrique.

SÉCURITÉ INDIVIDUELLE

9. **Être sur ses gardes, être attentif et faire preuve de bon sens en utilisant un outil électrique. Ne pas utiliser un outil électrique en cas de fatigue ou sous l'influence de drogues, d'alcool ou de médicaments.** Un instant d'inattention lors de l'utilisation d'un outil électrique peut entraîner des blessures graves.
10. **Utiliser un équipement de sécurité. Toujours porter des lunettes de protection.** Un équipement de sécurité comprenant masque anti-poussière, chaussures de sécurité anti-dérapantes, casque ou dispositif de protection anti-bruit peut, dans les circonstances appropriées, réduire le risque de blessure.
11. **Éviter tout démarrage accidentel de l'outil. S'assurer que le commutateur est en position OFF (Arrêt) avant de brancher l'outil.** Le port de l'outil avec un doigt sur le commutateur ou son branchement avec le commutateur en position ON (Marche) sont favorables aux accidents.

12. **Retirer toute clé de réglage avant de mettre l'outil sous tension.** Une clé laissée attachée sur une pièce mobile de l'outil électrique peut entraîner des blessures.
13. **Ne pas travailler à bout de bras. Bien garder un bon équilibre à tout instant.** Ceci permet de mieux préserver la maîtrise de l'outil électrique dans des situations imprévues.
14. **Porter des vêtements adéquats. Ne pas porter de vêtements amples ni de bijoux. Ne pas approcher les cheveux, vêtements et gants des pièces en mouvement.** Les vêtements amples, les bijoux ou les cheveux longs risquent d'être happés par les pièces en mouvement.
15. **Si des dispositifs sont prévus pour l'extraction et la récupération des poussières, vérifier qu'ils sont connectés et utilisés correctement.** L'utilisation de ces dispositifs peut réduire les risques liés aux poussières.

UTILISATION ET ENTRETIEN DE L'OUTIL ÉLECTRIQUE

16. **Ne pas forcer l'outil électrique. Utiliser l'outil électrique approprié à l'application considérée.** L'outil électrique adapté au projet considéré produira de meilleurs résultats, dans des conditions de sécurité meilleures, à la vitesse pour laquelle il a été conçu.
17. **Ne pas utiliser l'outil électrique si le commutateur ne le met pas sous ou hors tension.** Tout outil électrique dont le commutateur de marche-arrêt est inopérant est dangereux et doit être réparé.
18. **Débrancher la fiche de la prise d'alimentation et/ou la batterie de l'outil électrique avant d'effectuer des réglages, de changer d'accessoires ou de ranger l'outil.** De telles mesures de sécurité préventive réduisent le risque de mettre l'outil en marche accidentellement.
19. **Ranger les outils électriques inutilisés hors de la portée des enfants et ne pas laisser des personnes qui connaissent mal les outils électriques ou ces instructions utiliser ces outils.** Les outils électriques sont dangereux dans les mains d'utilisateurs non formés à leur usage.

20. **Entretien des outils électriques. S'assurer de l'absence de tout désalignement ou de grippage des pièces mobiles, de toute rupture de pièce ou de toute autre condition qui pourrait affecter le bon fonctionnement de l'outil électrique. En cas de dommages, faire réparer l'outil avant de l'utiliser de nouveau.** Les outils électriques mal entretenus sont à la source de nombreux accidents.
21. **Garder les outils de coupe affûtés et propres.** Les outils de coupe correctement entretenus et bien affûtés risquent moins de se gripper et sont plus faciles à manier.
22. **Utiliser cet outil électrique, les accessoires, les mèches, etc. conformément à ces instructions et de la façon prévue pour ce type particulier d'outil électrique, tout en prenant en compte les conditions de travail et le type de projet considérés.** L'utilisation de cet outil électrique pour un usage autre que l'usage prévu peut créer des situations dangereuses.

UTILISATION ET ENTRETIEN DE LA BATTERIE

23. **S'assurer que le commutateur est en position OFF (Arrêt) avant d'insérer la batterie.** L'insertion de la batterie dans un outil électrique dont le commutateur est en position ON (Marche) est favorable aux accidents.
24. **Ne recharger la batterie qu'avec le chargeur spécifié par le fabricant.** Un chargeur qui convient à un type de batterie peut créer un risque d'incendie s'il est utilisé avec un autre type de batterie.
25. **N'utiliser les outils électriques qu'avec les batteries spécialement conçues pour eux.** L'utilisation de batteries d'autres marques peut créer un risque de blessure et d'incendie.
26. **Lorsque la batterie est hors service, la ranger à l'écart d'autres objets métalliques tels que trombones, pièces de monnaie, clés, clous, vis et autres petits objets métalliques qui peuvent établir une connexion d'une borne à l'autre.** Un court-circuit aux bornes de la batterie peut provoquer des brûlures ou un incendie.

27. **Du liquide peut être éjecté de la batterie en cas de manutention abusive ; éviter tout contact. En cas de contact accidentel avec les projections, rincer à l'eau. En cas de contact avec les yeux, consulter un médecin.** Le liquide s'échappant de la batterie peut provoquer des irritations ou des brûlures.

ENTRETIEN

28. **Faire effectuer l'entretien de l'outil électrique par un technicien qualifié qui n'utilisera que des pièces de rechange identiques.** La sécurité d'utilisation de l'outil en sera préservée.

RÈGLES DE SÉCURITÉ SPÉCIFIQUES

1. **DANGER!**
 - a) **N'approchez pas les mains de la zone de coupe ou de la lame. Gardez l'autre main sur la poignée auxiliaire ou sur le carter du moteur.** En tenant l'outil avec vos deux mains, vous mettez celles-ci à l'abri de la lame.
 - b) **Ne pas tendre la main vers le dessous de pièce de travail.** Le garant n'offre aucune protection contre la lame sous la pièce de travail.
 - c) **Régler la profondeur de coupe en fonction de l'épaisseur de la pièce de travail.** Moins d'une dent complète des dents de la lame doit être visible sous la pièce de travail.
 - d) **NE JAMAIS maintenir la pièce dont la coupe est en cours avec les mains ou contre la jambe. Fixer la pièce de travail à une plate-forme stable.** Il est important de supporter correctement la pièce pour minimiser l'exposition du corps, le grippage de la lame ou la perte de contrôle de cette dernière.
 - e) **Tenir l'outil par les surfaces de prise isolées si, au cours des travaux, l'outil de coupe risque d'entrer en contact avec des fils cachés ou avec son propre cordon.** Le contact avec un fil sous tension met les parties métalliques exposées de l'outil sous tension, ce qui infligera un choc électrique à l'opérateur.

- f) **Lors du sciage en long, toujours utiliser un guide longitudinal ou un guide à bord droit.** Ceci améliore la précision de la coupe et réduit les risques de grippage de la lame.
- g) **Employez toujours une lame de diamètre approprié et dont le trou central est de forme correcte (angulaire ou ronde).** Une lame dont le trou ne correspond pas à la forme du moyeu de fixation de la scie risque de tourner de façon excentrique et de vous faire perdre la maîtrise de l'outil.
- h) **N'utilisez jamais un boulon ou une rondelle de lame endommagé ou incorrect.** Les boulons et rondelles de fixation de la lame sont conçus spécialement pour votre scie et jouent un rôle essentiel dans le bon fonctionnement et la sécurité de l'outil.

2. **Causes du retour d'outil et prévention par l'utilisateur :**

Le « retour d'outil » est une brusque réaction au pincement, au coincement ou au désalignement de la lame de scie, qui amène la scie à sauter hors du matériau vers l'utilisateur.

Lorsque la lame est pincée ou coincée par le rétrécissement du trait de scie, la lame se bloque et la réaction du moteur projette l'outil avec force vers l'utilisateur.



Si la lame se trouve désalignée dans le trait de scie, ses dents arrière peuvent mordre dans le dessus du matériau, ce qui amène la lame à sortir brutalement du trait de scie en direction de l'utilisateur.

Un REBOND est le résultat d'une mauvaise utilisation de la scie et/ou de procédures ou de conditions d'utilisation incorrectes et il peut être évité en prenant les précautions appropriées suivantes :

- a) **Maintenir une prise ferme des deux mains sur la scie et positionner les bras de sorte à résister aux rebonds éventuels. Se maintenir d'un côté ou de l'autre de la lame et non pas dans le prolongement de celle-ci.** Un rebond peut provoquer un saut en arrière de la lame mais le choc en retour peut être contrôlé par l'opérateur si les précautions correctes sont prises.

- b) Lorsque la lame se coince ou que vous interrompez une coupe pour une raison quelconque, lâchez la détente et maintenez la scie immobile dans le trait de scie jusqu'à ce que la lame s'arrête complètement. Ne cherchez jamais à sortir la scie du matériau ou à reculer la scie pendant que la lame est encore en mouvement, car vous vous exposeriez à un REcul. Si la lame a tendance à se coincer, recherchez-en la cause et apportez les correctifs appropriés.
- c) Lorsque vous redémarrez l'outil dans un trait de scie, centrez la lame dans celui-ci et assurez-vous que les dents de la lame ne mordent pas dans le matériau. Si la lame est coincée, l'outil risque de reculer ou de sauter en arrière au moment du démarrage de l'outil.
- d) Soutenez adéquatement les grands panneaux afin de réduire au minimum le risque de pincement de la lame et de REcul. Les grands panneaux ont tendance à s'affaisser sous leur propre poids. Placez des points d'appui sous le panneau des deux côtés, près de la ligne de coupe et près des bords du panneau.
- e) N'utilisez jamais une lame émoussée ou endommagée. Une lame mal affûtée ou mal avoyée produit un trait de scie étroit qui donne lieu à un frottement excessif, au coincement de la lame et à un REcul.
- f) Les manettes de profondeur et d'angle de coupe doivent être bien bloquées. Si ces manettes se débloquent pendant la coupe, il peut en résulter un coincement et un retour d'outil.
- g) Faire preuve de précaution supplémentaire lors d'une «coupe en plongée» (ou en alvéole) dans des murs existants ou d'autres zones aveugles. La lame protubérante peut couper des objets qui peuvent provoquer un rebond.
3. Vérifier la fermeture correcte du garant inférieur avant chaque utilisation. Ne pas utiliser la scie si le garant inférieur ne se déplace pas librement et ne se ferme pas instantanément. Ne jamais fixer ou attacher le garant inférieur en position ouverte. Si la scie tombe accidentellement, le garant inférieur risque d'être tordu. Relever le garant inférieur avec son levier et s'assurer qu'il se déplace librement et ne touche pas la lame ou toute autre pièce, quels que soient les angles et les profondeurs de coupe.
4. Vérifiez l'état et le bon fonctionnement du ressort du protecteur inférieur. Si le protecteur ou son ressort ne fonctionnent pas correctement, il faut les réparer avant d'utiliser l'outil. Le protecteur inférieur peut être lent à se refermer à cause de pièces endommagées, de dépôts collants ou d'une accumulation de débris.
5. Vous ne devez escamoter manuellement le protecteur inférieur que pour des opérations spéciales comme le défonçage d'ouvertures en plein bois et les coupes de rainurage ou à onglets. Escamotez le protecteur inférieur au moyen de sa manette puis, dès que la lame attaque le matériau, lâchez le protecteur. Pour toute autre tâche de sciage, laissez le protecteur inférieur fonctionner automatiquement.
6. Assurez-vous toujours que le protecteur inférieur couvre bien la lame avant de déposer l'outil sur l'établi ou sur le sol. Si la lame n'est pas protégée et n'a pas fini de tourner, elle entraînera la scie vers l'arrière en coupant tout sur son passage. Soyez conscient du temps nécessaire pour que la lame s'arrête après que vous avez lâché la détente.
7. Entretenez les étiquettes et marques di fabricant. Les indications qu'elles contiennent sont précieuses. Si elles deviennent illisibles ou se détachent, faites-les remplacer gratuitement à un centre de service milwaukee accrédité.
8. **AVERTISSEMENT!** La poussière dégagée par le ponçage, le sciage, le meulage, le perçage et autres travaux de construction contient des substances chimiques reconnues comme pouvant causer le cancer, des malformations congénitales ou d'autres troubles des organes reproducteurs. Voici quelques exemples de telles substances :
- Le plomb contenu dans la peinture au plomb.
 - La silice cristalline contenue dans la brique, le béton et divers produits de maçonnerie.
 - L'arsenic et le chrome servant au traitement chimique du bois.
- Les risques associés à l'exposition à ces substances varient selon la fréquence des travaux. Afin de minimiser l'exposition à ces substances chimiques, assurez-vous de travailler dans un endroit bien aéré et d'utiliser de l'équipement de sécurité tel un masque antipoussière spécifiquement conçu pour la filtration de particules microscopiques.
9. Ne touchez pas le matériau après l'avoir coupé. Il risque d'être brûlant.
10. N'utilisez pas d'huile de coupe. L'utilisation d'une telle huile risque de provoquer un incendie.
11. N'utilisez pas l'outil près d'une matière inflammable. Les étincelles risqueraient de provoquer un incendie.
12. Ne coupez pas de pièces couvertes ou souillées d'essence, d'huile, de solvants, de diluants, etc. Le protecteur transparent risque d'être endommagé s'il est exposé à ces produits.
13. Ne pas enlever le protecteur avant transparent. Si le protecteur avant transparent est endommagé ou manquant, retourner l'outil à un centre de service accrédité pour le faire remplacer.
14. Ne faites pas démarrer la lame au contact de la pièce. Attendez qu'elle ait atteint sa vitesse maximum pour commencer à couper.

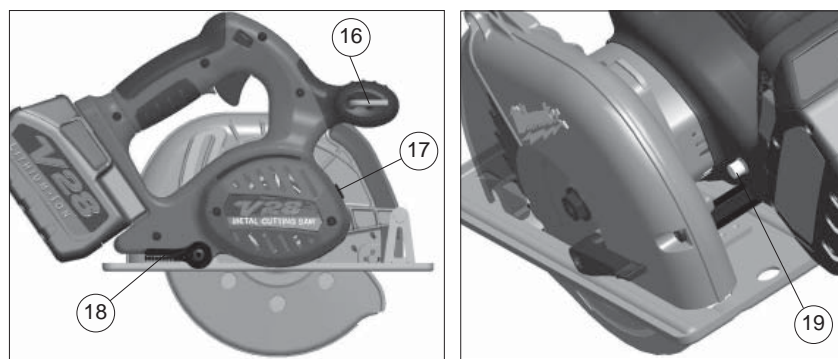
Pictographie

	Tension CD seul.
n_0 XXXXmin. ⁻¹	Cycles par minute à vide (RPM)
	Underwriters Laboratories, Inc., États-Unis et Canada

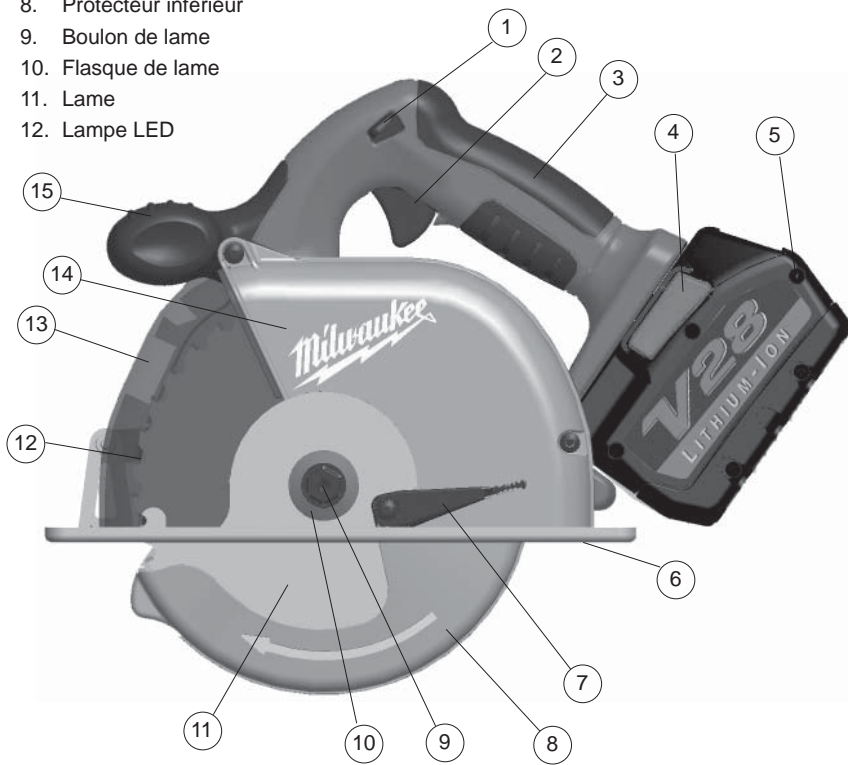
Spécifications

No de cat.	Volts cd	RPM	Taille de la lame	Alésage	Profondeur de coupe à 90°
0740-20	28	3 200	174 mm (6-7/8")	20 mm	0 à 60 mm (0 à 2-3/8")

DESCRIPTION FONCTIONNELLE



- | | |
|---|--------------------------------------|
| 1. Bouton de déverrouillage | 13. Protecteur avant transparent |
| 2. Gâchette | 14. Protecteur supérieur |
| 3. Poignée | 15. Poignée avant |
| 4. Boutons de déverrouillage de la batterie | 16. Clé |
| 5. Batterie | 17. Bouton de verrouillage de broche |
| 6. Guide | 18. Levier de réglage de profondeur |
| 7. Levier de protecteur inférieur | 19. Limiteur de surcharge |
| 8. Protecteur inférieur | |
| 9. Boulon de lame | |
| 10. Flasque de lame | |
| 11. Lame | |
| 12. Lampe LED | |



20

MONTAGE DE L'OUTIL

AVERTISSEMENT

Ne recharger la batterie qu'avec le chargeur indiqué pour la batterie. Pour les instructions de charge spécifiques, lire le manuel de l'opérateur fourni avec le chargeur et la batterie.

AVERTISSEMENT

Pour éviter les risques de blessure, toujours retirer la batterie avant de changer ou de démonter les accessoires. N'utiliser que les accessoires spécialement conçus pour cet outil. Les accessoires non recommandés peuvent présenter des dangers.



Insertion d'une batterie ← → Retrait d'une batterie

Retrait de la batterie de l'outil

Pousser les boutons d'ouverture vers l'intérieur et retirer la batterie de l'outil.

Insertion de la batterie dans l'outil

Pour insérer la batterie dans l'outil, la glisser sur le corps de l'outil. S'assurer qu'elle se loge fermement en place.

Choix d'une lame

Choisissez une lame adaptée à votre application. Reportez-vous à la section « Accessoires » pour une liste des lames à utiliser dans les applications correctes de cet outil.

Utilisez toujours des lames bien affûtées. Les lames émoussées tendent à surcharger l'outil et à accroître les risques de RECUL. N'utilisez que des lames à saignée étroite dont la vitesse maximum admissible est supérieure à la vitesse à vide indiquée sur la plaque signalétique de l'outil. Lisez les directives du fabricant de la lame avant de l'utiliser. N'utilisez aucun type de meule à tronçonner ou de disque diamant pour tronçonnage à sec. Utilisez le type de lame approprié à la tâche. L'utilisation d'une lame incorrecte risque de réduire le rendement ou d'endommager la lame. N'utilisez pas de lames fêlées ni de lames dont des dents sont cassées. N'affûtez pas les lames pour métaux ferreux; suivez les conseils d'affûtage du fabricant de la lame.

Montage et dépose des lames

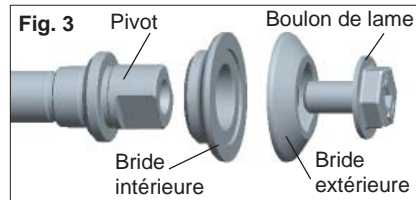
1. Retirez la batterie.
2. Placez la scie sur une surface plate, lame tournée vers le haut. Enfoncez le bouton de verrouillage de broche pour enlever le boulon de cette dernière. Tout en maintenant le bouton enfoncé, utilisez la clé fournie avec l'outil pour tourner le boulon dans le sens horaire (Fig. 2). Retirez le boulon et la flasque de lame.



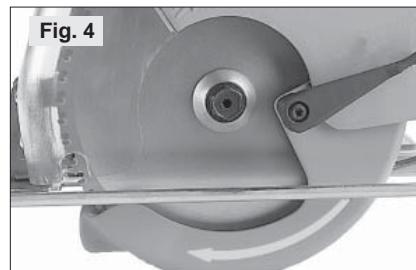
21

3. Glissez le levier de protecteur inférieur vers le haut pour relever le protecteur. Déposez la lame de la broche. Nettoyez toujours la broche, ainsi que les protecteurs supérieur et inférieur, pour les dégraisser et les dépoussiérer.

N.B. : N'enlevez pas la bride intérieure de lame. Le plus grand diamètre de la bride intérieure doit appuyer sur la lame (Fig. 3).



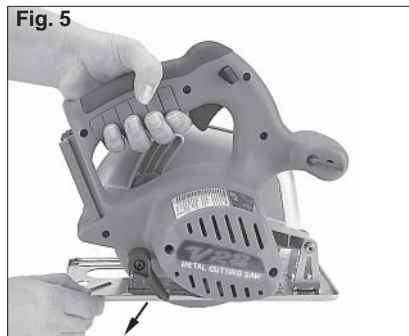
4. Pour monter une lame, placez-la sur la broche de façon à ce que ses dents pointent dans la direction indiquée par la flèche qui se trouve sur le protecteur inférieur (Fig. 4). Relâchez le levier du protecteur inférieur.



5. Placez le flasque de lame sur la broche et serrez le boulon avec les doigts.
6. Tout en maintenant le bouton de verrouillage de broche enfoncé, utilisez la clé pour tourner le boulon dans le sens antihoraire et le serrer.

Réglage de la profondeur

1. Retirez la batterie.
2. Pour régler la profondeur de coupe, tenez la scie par sa poignée et desserrez le levier de réglage de profondeur en l'abaissant vers le guide (Fig. 5).



3. Relevez ou abaissez le guide à la position désirée. La profondeur est réglée correctement si la lame ne dépasse pas de plus de 6,4 mm (1/4 po) du dessous du matériau que vous coupez (Fig. 6).



4. Relevez le levier de réglage de profondeur vers le boîtier du moteur pour bloquer le guide en position.

Protecteur avant transparent

Le protecteur avant transparent permet de voir facilement la ligne de coupe. Si le protecteur transparent est fêlé ou cassé, faites-le remplacer dans un centre de service MILWAUKEE agréé. N'utilisez jamais la scie à métaux si le protecteur transparent est endommagé ou manquant.

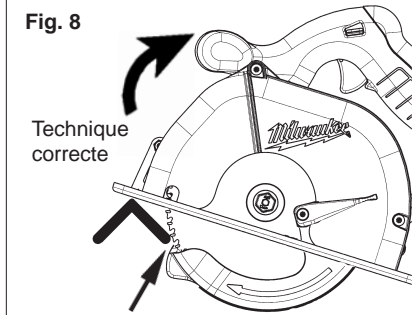
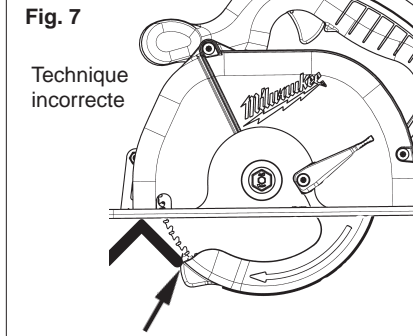


Pour réduire le risque de blessures, ne pas enlever le protecteur avant transparent. Si le protecteur avant transparent est endommagé ou manquant, retourner l'outil à un centre de service agréé pour le faire remplacer.

APPLICATIONS

Coupe de matériaux biais

Lorsque vous coupez des matériaux biais, inclinez l'outil en arrière pour éviter que le protecteur inférieur repose sur la partie biaisée.



Cet outil est conçu pour couper les métaux ferreux non durcis, les métaux non ferreux, les plastiques, le fibro-ciment et le bois. Reportez-vous à la section « Accessoires » pour une liste des lames à utiliser dans les applications correctes de cet outil. Vous devez prendre les précautions suivantes afin de réduire les risques de blessures :

- Ne coupez pas des matériaux empilés. Coupez une seule pièce à la fois.
- Ne coupez pas d'acier trempé.
- Coupez les matériaux en plaçant le bord le plus large du guide par dessus le côté immobilisé du matériau.
- Ne touchez pas la lame de scie, la pièce ni les éclats avec les mains nues immédiatement après avoir coupé; ils risquent d'être chauds et de provoquer des brûlures cutanées.
- Ajustez l'angle de coupe de la lame à la pièce de façon à ce que la lame traverse les sections les plus minces.

Coupe de matériaux minces ou ondulés

Coupez les matériaux minces et ondulés à au moins 25 mm (1 po) du bord de la pièce pour éviter de vous blesser ou d'endommager l'outil par suite de la présence de minces bandes de métal attirées dans le protecteur supérieur.

Coupe de grandes tôles

Les grandes tôles fléchissent ou se cintrent si elles ne sont pas soutenues correctement. Si vous essayez de couper sans mettre la pièce à niveau ni la soutenir correctement, la lame aura tendance à se coincer et à provoquer un REÇUL.

Soutenez les grandes tôles. Assurez-vous de régler la profondeur de coupe de façon à ne couper que la pièce, pas ses supports.

Lorsque vous coupez sur les largeurs supérieures à 102 mm (4 po), fixez un morceau de bois de 25 mm (1 po) à la pièce au moyen d'un serre-joint ou de brochettes et guidez-vous avec le bord inférieur du guide.



Pour réduire le risque de décharge électrique, vérifiez avant de chantourner si l'aire de travail n'est pas traversée par des tuyaux et des fils dissimulés.

Chantournage

Un chantournage est effectué au milieu de la pièce lorsqu'elle ne peut être coupée en partant d'un bord. Nous recommandons d'utiliser une scie alternative Sawzall® ou une scie sauteuse pour ce type de coupe. Si toutefois vous devez utiliser une scie circulaire pour chantourner, FAITES PREUVE D'EXTRÊME PRUDENCE. Pour garder le contrôle de la scie lors du chantournage, tenez-la toujours des deux mains (Fig. 9).



1. En partant d'un coin, alignez la ligne de visée et votre ligne de coupe. Inclinez la scie en avant en appuyant fermement l'avant du guide sur la pièce. La lame doit se trouver juste au-dessus de la ligne de coupe sans la toucher. Relevez le protecteur inférieur à l'aide de son levier.

FONCTIONNEMENT

AVERTISSEMENT

Pour réduire les risques de blessures, n'utilisez que les accessoires recommandés spécifiquement. Tout autre type d'accessoire pourrait être dangereux.

Causes du RECUL et protection de l'opérateur :

Le RECUL est une réaction soudaine au pincement, blocage ou désaxage de lame d'une scie, qui fait se soulever cette dernière hors de la pièce et la repousse vers l'opérateur.

Lorsque la lame est pincée ou coincée par le rétrécissement de la saignée ou de la fente de coupe, elle se bloque et la réaction du moteur entraîne l'outil rapidement vers l'opérateur.

Si la lame devient voilée ou désaxée dans la coupe, les dents du bord arrière de la lame peuvent s'enfoncer dans la surface supérieure du bois, ce qui fait sortir la lame de la saignée et la fait bondir en arrière vers l'opérateur.

Le RECUL résulte d'un mauvais emploi et/ou de méthodes ou conditions d'utilisation incorrectes et vous pouvez l'éviter en prenant les précautions suivantes :

1. **Saisissez toujours la scie solidement des deux mains et positionnez votre corps et votre bras pour pouvoir résister aux forces de RECUL.** L'opérateur

2. Pour mettre la scie en marche, enfoncez le bouton de déverrouillage tout en pressant la gâchette. Laissez le moteur atteindre sa vitesse maximum avant de commencer à couper. En utilisant l'avant du guide comme point d'articulation, abaissez progressivement l'arrière de la scie dans la pièce. Relâchez le levier du protecteur inférieur et saisissez la poignée avant.
3. Lorsque le guide repose à plat contre la pièce, faites avancer la scie vers le côté opposé. Relâchez la gâchette et attendez l'arrêt complet de la lame avant de la retirer de la pièce. Répétez les opérations ci-dessus pour chaque côté de l'ouverture. Utilisez une scie alternative Sawzall®, une scie sauteuse ou une petite scie à main pour terminer les coins s'ils ne sont pas complètement découpés.

peut contrôler les forces de RECUL s'il prend des précautions appropriées.

2. **Lorsque la lame se coince ou que vous interrompez une coupe pour une raison quelconque, relâchez la gâchette et maintenez la scie immobile dans le matériau jusqu'à l'arrêt complet de la lame.** N'essayez jamais de retirer la scie de la pièce ou de la tirer en arrière alors que la lame tourne pour éviter tout risque de RECUL. Recherchez la cause du coincement de la lame et prenez des mesures correctrices pour l'éliminer.
3. **Lorsque vous remettez la scie en marche dans la pièce, centrez sa lame dans la saignée ou dans la découpe et vérifiez que les dents ne sont pas enfoncées dans le matériau.** Si la lame est coincée, elle risque de remonter ou de RECULER de la pièce lorsque la scie est remise en marche.
4. **Soutenez les panneaux de grande dimension pour minimiser les risques de pincement et de RECUL de la lame.** Les grands panneaux ont tendance à fléchir sous leur propre poids. Des supports doivent être placés sous les deux côtés du panneau près de la ligne de coupe et du bord du panneau.
5. **N'utilisez pas de lames émoussées ou endommagées.** Les lames mal affûtées ou mal montées produisent une saignée étroite causant une friction excessive, un coincement de la lame et un RECUL.

6. **Vous devez serrer et bloquer le levier de profondeur de lame avant d'effectuer une coupe.** Si la lame se dérègle en cours de coupe, elle risque de se coincer et un RECUL peut se produire.
7. **Faites preuve d'extrême prudence lorsque vous chan-tournez dans des cloisons existantes ou d'autres surfaces pleines.** La lame en saillie risque de couper des objets pouvant provoquer un RECUL.
8. **Réglez la profondeur de coupe de façon à ce qu'elle n'excède pas l'épaisseur du matériau de plus de 3,2 à 6,4 mm (1/8 à 1/4 po).** Moins la lame est à découvert, moins elle a de chances de se coincer et de provoquer un RECUL. Avant de couper, assurez-vous que les dispositifs de réglage de profondeur et d'angle de coupe biaise sont bien serrés.
9. **Méfiez-vous des matériaux poisseux, noueux, mouillés ou gondolés.** Ils sont les plus susceptibles de créer des conditions de coincement et des risques de RECUL. Ne sciez pas en long du bois de construction gauchi. Évitez de couper des clous.
10. **Restez vigilant.** Toute distraction peut causer un voilement ou un coincement. L'utilisateur risque de se laisser aller à des mouvements irréfléchis par suite de coupes répétitives.

AVERTISSEMENT

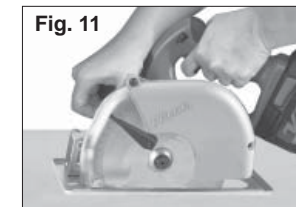
Pour minimiser les risques de blessures, portez des lunettes à coques latérales.

Maniement général

Fixez toujours la pièce solidement à un chevalet ou à un établi au moyen de serre-joints (Fig. 10). Voir « APPLICATIONS » pour la façon correcte de soutenir une pièce dans différentes situations.



1. Tracez une ligne de coupe. Placez l'avant du guide sur le bord de la pièce sans toucher celle-ci avec la lame. Tenez la poignée d'une main et la poignée avant de l'autre (Fig. 11).



2. Alignez la ligne de visée et votre ligne de coupe. Positionnez vos bras et votre corps de façon à résister au RECUL.
3. Pour mettre la scie en marche, enfoncez le bouton de déverrouillage tout en pressant la gâchette. Laissez le moteur atteindre sa vitesse maximum avant de commencer à couper.
NB: Lampe LED allume quand la détente est tirée.
4. Tout en coupant, maintenez le guide à plat contre la pièce et tenez fermement les poignées. Ne forcez pas la scie à découper la pièce. Sinon, un RECUL risque de se produire. Exercez une légère pression ininterrompue pour couper tout en suivant la ligne de coupe au travers du protecteur transparent ou grâce à la ligne de visée.
5. Si vous effectuez une coupe partielle, repartez à mi-coupe ou corrigez la direction, attendez l'arrêt complet de la lame. Pour reprendre la coupe, centrez la lame dans la saignée, ramenez la scie en arrière de quelques centimètres par rapport au bout de la découpe, enfoncez le bouton de déverrouillage tout en pressant la gâchette et reprenez la coupe lentement.
6. Si la lame se coince et se bloque, continuez à la tenir fermement et relâchez la gâchette immédiatement. Maintenez la scie immobile dans la pièce jusqu'à l'arrêt complet de la lame.
7. Une fois que vous avez terminé une coupe, assurez-vous de la fermeture du protecteur inférieur et de l'arrêt complet de la lame avant de poser la scie.

Limiteur de surcharge

Le limiteur de surcharge arrête automatiquement l'outil lorsque le moteur est en surcharge. L'outil peut se surcharger lorsque vous utilisez une lame émoussée ou que vous coupez les matériaux trop rapidement. Pour éviter que le limiteur de surcharge

n'arrête l'outil, toujours utiliser une lame affûtée et suivre les instructions de coupe dans la section «Applications». Ne pas tenter de couper ou d'annuler le limiteur de surcharge.

Si l'outil s'arrête automatiquement:

1. Relâcher la détente.
2. Retirer la lame de la pièce à travailler.
4. Réinitialiser le limiteur de surcharge en enfonçant le bouton.

Nota : Si l'outil ne se met pas en marche après avoir appuyé sur l'interrupteur, laissez-le refroidir pendant quelques minutes et réessayez.

5. Laisser l'outil refroidir en le faisant fonctionner sans charge.
6. Reprendre la coupe. Lorsque vous remettez la scie en marche dans la pièce, centrez sa lame dans l'entaille ou dans l'entaille et vérifiez que les dents ne sont pas enfoncées dans le matériau. Si la lame est coincée, elle risque de remonter ou de RECULER de la pièce lorsque la scie est remise en marche.

Dépannage

Si la lame ne coupe pas en ligne droite :

- Les dents sont émoussées. Cela se produit lorsque les dents heurtent un objet dur tel qu'un clou ou une pierre, ce qui émousse un de leurs côtés. La lame a tendance à couper vers le côté avec ses dents les plus affûtées.
- Le guide est désaxé ou tordu
- La lame est tordue

Si la lame se coince, fume ou bleuit par suite de friction :

- La lame est émoussée
- La lame est montée à l'envers
- La lame est tordue
- La lame est encrassée
- La pièce est mal soutenue
- Une lame incorrecte est utilisée
- Les piles sont déchargées

Frein électrique

Le frein électrique s'enclenche lors du relâchement de la pression sur la détente, ce qui a pour effet d'immobiliser la lame et de permettre à l'opérateur de poursuivre

son travail. La lame de scie s'immobilise généralement dans les deux secondes qui suivent. Un délai peut se produire toutefois entre le relâchement total de la pression exercée sur la détente et l'enclenchement du frein. Il se peut qu'occasionnellement le frein ne s'enclenche pas du tout. En cas de dysfonctionnement fréquent du frein, faire réparer la scie par un centre d'entretien *MILWAUKEE* agréé. Le frein n'est pas une alternative au garant et il faut toujours attendre l'arrêt complet de la lame avant de retirer la scie de la pièce de travail.

Batterie au lithium-ion V28™

À la différence d'autres types de batterie, la batterie au lithium-ion fournit une énergie constante pendant toute la durée de fonctionnement. L'outil ne connaîtra pas une baisse lente et graduelle de puissance lors du travail. Pour signaler à l'utilisateur que la batterie V28 est à la fin de sa durée de fonctionnement et requiert une nouvelle charge, l'alimentation de l'outil chute rapidement. Dans ce cas, retirer l'outil de la pièce de travail et charger la batterie selon le besoin.

Protection de la batterie

Pour se protéger contre tout dommage et prolonger sa durée de vie, le circuit intelligent de la batterie V28 se ferme automatiquement si sa température interne devient trop élevée. Ceci peut se produire en cas de couple extrêmement élevé, de grippage ou de calage. Placer la batterie sur son chargeur pour la remettre sous tension. Le témoin lumineux du chargeur clignote en rouge, signalant ainsi la surchauffe de la batterie. Lorsque le témoin émet une lumière rouge en continu, la batterie s'est refroidie et peut être utilisée de nouveau.

Fonctionnement par temps froid

Il est possible d'utiliser la batterie au lithium-ion V28 à des températures ambiantes allant jusqu'à -20°C (-4°F). Lorsque la température de la batterie est très basse, elle peut envoyer des impulsions pendant la première minute d'utilisation pour se réchauffer. Mettre la batterie sur un outil et utiliser cet outil sur une application légère. Au bout d'une minute d'utilisation, la batterie se sera suffisamment réchauffée et fonctionnera normalement.

ENTRETIEN



AVERTISSEMENT

Pour réduire le risque de blessure, toujours débrancher le chargeur et retirer la batterie du chargeur ou de l'outil avant d'effectuer un quelconque entretien. Ne jamais démonter l'outil, la batterie ou le chargeur. Contacter un centre d'entretien MILWAUKEE pour TOUTES les réparations.

Entretien de l'outil

Maintenir l'outil, la batterie et le chargeur en bon état en adoptant un calendrier d'entretien périodique. Après six mois ou un an, en fonction de l'usage qu'il en est fait, renvoyer l'outil, la batterie et le chargeur à un centre d'entretien *MILWAUKEE* pour:

- Lubrification
- Inspection et remplacement du balai
- Inspection et nettoyage des composants mécaniques (engrenages, axes, roulements, carter, etc.)
- Inspection des composants électriques (batterie, chargeur et moteur)
- Essai, afin de vérifier le bon fonctionnement des composants mécaniques et électriques de l'outil

Nettoyer les contacts de la batterie s'il est impossible de mettre l'outil en marche ou si l'outil ne fonctionne pas à pleine capacité en dépit d'une batterie complètement chargée. Si l'outil ne fonctionne toujours pas correctement, renvoyer l'outil, le chargeur et la batterie à un centre d'entretien *MILWAUKEE* pour réparation.



AVERTISSEMENT

Pour réduire le risque de blessure ou de dommage, ne jamais plonger l'outil, la batterie ou le chargeur dans un liquide et ne jamais laisser l'eau s'y infiltrer.

Nettoyage

Nettoyer la poussière et les débris des événements et des contacts électriques à l'air comprimé. Maintenir les poignées de l'outil

propres, sèches et exemptes de graisse ou d'huile. N'utiliser que du savon doux et un chiffon humide pour nettoyer l'outil, la batterie et le chargeur, en évitant les contacts électriques. Certains produits de nettoyage ou solvants sont nocifs pour les plastiques et les pièces isolées, notamment : essence, essence de térébenthine, diluant pour vernis, diluant pour peintures, solvant chloré, ammoniac et détergents ménagers contenant de l'ammoniac. Ne jamais utiliser de solvants inflammables ou combustibles à proximité d'outils.

Réparations

Pour toutes réparations, renvoyer l'outil, la batterie et le chargeur au centre d'entretien agréé le plus proche.

ACCESSOIRES



AVERTISSEMENT

Toujours enlever la batterie avant de changer ou de retirer un accessoire. N'utiliser que les accessoires spécialement conçus pour cet outil. Les accessoires non recommandés peuvent présenter des dangers.

Pour une liste complète des accessoires, consulter le catalogue des outils *MILWAUKEE* Electric Tool ou aller en ligne à l'adresse www.milwaukeetool.com. Pour obtenir un catalogue, contacter le distributeur local ou un centre d'entretien.

Lames pour coupe de métal 174 mm (6 7/8 po) :

Lame pour coupe de métal non ferreux
No de cat. 48-40-4006

Lame pour coupe de métal ferreux
No de cat. 48-40-4016

Lame pour coupe de fibro-ciment
No de cat. 48-40-4026

GARANTIE LIMITÉE DE L'OUTIL DE CINQ ANS

Chaque outil électrique *MILWAUKEE* (y compris le chargeur de batterie) est garanti à l'acheteur d'origine être exempt de vice du matériau et de fabrication. Sous réserve de certaines exceptions, *MILWAUKEE* réparera ou remplacera toute pièce d'un outil électrique qui, après examen, sera avéré par *MILWAUKEE* être affecté d'un vice du matériau ou de fabrication pendant une période de cinq (5) ans* après la date d'achat. Le retour de l'outil électrique, accompagné d'une copie de la preuve d'achat à un site d'entretien d'usine/de promotion des ventes de *MILWAUKEE* ou à un poste d'entretien agréé *MILWAUKEE*, en port prépayé et assuré, est requis pour que cette garantie s'applique. Cette garantie ne couvre pas les dommages que *MILWAUKEE* détermine être causés par des réparations ou des tentatives de réparation par quiconque autre que le personnel agréé par *MILWAUKEE*, des utilisations incorrectes, des altérations, des utilisations abusives, une usure normale, une carence d'entretien ou les accidents.

* La période de garantie pour les palans (palans à levier, à chaîne manuelle et à la chaîne électrique), les ensembles de batteries au Ni-Cd, les projecteurs de travail (lampes sans fil), les radios de chantier et les chariots de travail industriel Trade Titans™ est de un (1) an à partir de la date d'achat.

*Il existe une garantie séparée pour les ensembles de batteries au Li-Ion qui accompagnent les outils électriques :

*Chaque bloc de batteries au Li-Ion *MILWAUKEE* est couvert par une garantie de remplacement gratuit initial pour 1 000 charges/2 ans. Ceci signifie qu'avant les 1 000 premières charges ou deux (2) années suivant la date d'achat/la première charge, une batterie de rechange sera gratuitement fournie au client pour toute batterie défectueuse. Par la suite, les clients recevront aussi une garantie supplémentaire calculée au prorata dans la limite de 2 000 charges ou cinq (5) années suivant la date d'achat/la première charge, à la première échéance. Ceci signifie que chaque client obtient une garantie au prorata supplémentaire de 1 000 charges ou de trois (3) des années du bloc de batteries au Li-Ion en fonction de l'utilisation. Pendant cette période de garantie supplémentaire, le client ne paye que pour le service utilisable reçu au-delà des 1 000 premières charges/2 premières années, en fonction de la date de la première charge et du nombre de charges du bloc de batteries déterminés par le lecteur de service *MILWAUKEE*. Au-delà de 1 000 charges/2 ans à compter de la date d'achat/de la première charge, le client sera facturé un montant au prorata du service rendu.

L'enregistrement de la garantie n'est pas nécessaire pour bénéficier de la garantie en vigueur sur un produit *MILWAUKEE*. Une preuve d'achat sous la forme d'un reçu de vente ou d'autres informations considérées suffisantes par *MILWAUKEE* est cependant requise.

L'ACCEPTATION DES RECOURS EXCLUSIFS DE RÉPARATION ET DE REMPLACEMENT DÉCRITS PAR LES PRÉSENTES EST UNE CONDITION DU CONTRAT D'ACHAT DE TOUT PRODUIT *MILWAUKEE*. SI VOUS N'ACCEPTÉZ PAS CETTE CONDITION, VOUS NE DEVEZ PAS ACHETER LE PRODUIT. EN AUCUN CAS *MILWAUKEE* NE SAURAIT ÊTRE RESPONSABLE DE TOUT DOMMAGE ACCESSOIRE, SPÉCIAL OU INDIRECT, DE DOMMAGES-INTÉRÊTS PUNITIFS OU DE TOUTE DÉPENSE, D'HONORAIRES D'AVOCATS, DE FRAIS, DE PERTE OU DE DÉLAIS ACCESSOIRES À TOUT DOMMAGE, DÉFAILLANCE OU DÉFAUT DE TOUT PRODUIT, Y COMPRIS NOTAMMENT LES PERTES DE PROFIT. CETTE GARANTIE EST EXCLUSIVE ET REMPLACE TOUTE AUTRE GARANTIE OU CONDITION, ÉCRITE OU VERBALE, EXPRESSE OU IMPLICITE. SANS LIMITER LA GÉNÉRALITÉ DES DISPOSITIONS PRÉCÉDENTES, *MILWAUKEE* DÉCLINE TOUTE GARANTIE IMPLICITE DE QUALITÉ MARCHANDE OU D'ADAPTATION À UNE UTILISATION OU À UNE FIN PARTICULIÈRE ET TOUTE AUTRE GARANTIE.

Cette garantie s'applique aux produits vendus aux États-Unis, au Canada et au Mexique uniquement.

Veuillez consulter le site Internet de *MILWAUKEE*, www.milwaukeetool.com, ou appeler le 1.800.SAWDUST (1.800.729.3878) pour trouver le site d'entretien le plus proche pour toute réparation, garantie ou non, d'un outil électrique *MILWAUKEE*.

REGLAS DE SEGURIDAD GENERALES PARA HERRAMIENTAS OPERADAS POR BATERÍA



ADVERTENCIA

LEA TODAS LAS INSTRUCCIONES

Si no se siguen todas las siguientes instrucciones se puede provocar una descarga eléctrica, un incendio y/o lesiones graves. El término "herramienta eléctrica" en todas las advertencias incluidas más abajo se refiere a su herramienta operada por conexión (cable) a la red eléctrica o por medio de una batería (inalámbrica).

GUARDE ESTAS INSTRUCCIONES

SEGURIDAD EN EL ÁREA DE TRABAJO

1. **Mantenga limpia y bien iluminada el área de trabajo.** Las áreas desordenadas u oscuras contribuyen a que se produzcan accidentes.
2. **No utilice herramientas eléctricas en atmósferas explosivas, como en la presencia de líquidos, gases o polvo inflamables.** Las herramientas eléctricas crean chispas que pueden incendiar el polvo o las emanaciones.
3. **Mantenga a los niños y otras personas alejadas mientras utiliza una herramienta eléctrica.** Las distracciones pueden hacerle perder el control.

SEGURIDAD ELÉCTRICA

4. **Los enchufes de las herramientas eléctricas deben ser del mismo tipo que el tomacorrientes. Nunca realice ningún tipo de modificación en el enchufe. No use enchufes adaptadores con herramientas eléctricas con conexión a tierra.** Se reducirá el riesgo de descarga eléctrica si no se modifican los enchufes y los tomacorrientes son del mismo tipo.
5. **Evite el contacto corporal con superficies con conexión a tierra, como tuberías, radiadores, estufas y refrigeradores.** El riesgo de descarga eléctrica aumenta si su cuerpo está conectado a tierra.
6. **No exponga la herramientas eléctricas a la lluvia o a condiciones de humedad.** El agua que entra en una herramienta eléctrica aumenta el riesgo de descarga eléctrica.

7. **No abuse del cable. Nunca use el cable para transportar la herramienta eléctrica, tirar de ella o desenchufarla. Mantenga el cable alejado del calor, los bordes afilados o las piezas en movimiento.** Los cables dañados o enmarañados aumentan el riesgo de descarga eléctrica.
8. **Cuando se utiliza una herramienta eléctrica en el exterior, use una extensión que sea apropiada para uso en el exterior.** El uso de un cable apropiado para el exterior reduce el riesgo de descarga eléctrica.

SEGURIDAD PERSONAL

9. **Manténgase alerta, ponga cuidado a lo que está haciendo y use el sentido común cuando utilice una herramienta eléctrica. No use una herramienta eléctrica cuando está cansado o bajo la influencia de drogas, alcohol o medicinas.** Despijarse un minuto cuando se utiliza una herramienta eléctrica puede tener como resultado lesiones personales graves.
10. **Use equipo de seguridad. Lleve siempre protección ocular.** Llevar equipo de seguridad apropiado para la situación, como una máscara antipolvo, zapatos de seguridad antideslizantes casco o protección auditiva, reducir á las lesiones personales.
11. **Evite los arranques accidentales. Asegúrese de que el interruptor esté en la posición de apagado antes de enchufar la herramienta.** Mover herramientas con el dedo en el interruptor o enchufar herramientas con el interruptor en la posición de encendido contribuye a que se produzcan accidentes.

12. **Quite todas las llaves de ajuste antes de encender la herramienta.** Una llave que esté acoplada a una pieza giratoria de la herramienta puede provocar lesiones personales.
13. **No se estire demasiado. Mantenga los pies bien asentados y el equilibrio en todo momento.** Esto permite tener mejor control de la herramienta eléctrica en situaciones inesperadas.
14. **Vístase de manera apropiada. No lleve ropa suelta ni joyas. Mantenga el cabello, la ropa y los guantes lejos de la piezas en movimiento.** La ropa floja, las joyas o el cabello largo pueden quedar atrapados en las piezas en movimiento.
15. **Si se proporcionan dispositivos para la conexión de sistemas de recolección y extracción de polvo, asegúrese de que estén conectados y se usen apropiadamente.** El uso de estos dispositivos puede reducir los peligros relacionados con el polvo.

USO Y CUIDADO DE LAS HERRAMIENTAS ELÉCTRICAS

16. **No fuerce la herramienta eléctrica. Use la herramienta eléctrica correcta para la aplicación.** La herramienta eléctrica correcta funcionará mejor y de manera más segura a la velocidad para la que se diseñó.
17. **No use la herramienta eléctrica si el interruptor no la enciende ni la apaga.** Cualquier herramienta eléctrica que no se pueda controlar con el interruptor es peligrosa y se debe reparar.
18. **Desconecte el enchufe de la toma de alimentación y/o la batería de la herramienta eléctrica antes de realizar cualquier ajuste, cambiar accesorios o almacenar las herramientas eléctricas.** Dichas medidas preventivas de seguridad reducen el riesgo de que la herramienta se prenda accidentalmente.
19. **Almacene las herramientas eléctricas fuera del alcance de los niños y no permita que personas no familiarizadas con ellas o estas instrucciones las utilicen.** Las herramientas eléctricas son peligrosas en las manos de usuarios no capacitados.

20. **Mantenimiento de las herramientas eléctricas. Revise que no haya piezas móviles que estén desalineadas o que se atasquen, piezas rotas ni ninguna otra condición que pueda afectar el funcionamiento de la herramienta eléctrica. Si se encuentran daños, haga que le reparen la herramienta antes de usarla.** Las herramientas mal mantenidas son la causa de muchos accidentes.
21. **Mantenga las herramientas de corte limpias y afiladas.** Es menos probable que se atasquen las herramientas de corte con filos afilados que se mantienen de manera apropiada y también son más fáciles de controlar.
22. **Use la herramienta eléctrica, los accesorios y las brocas, etc. siguiendo estas instrucciones y de la manera para la que dicha herramienta eléctrica en particular fue diseñada, teniendo en cuenta las condiciones de trabajo y la tarea que se va a realizar.** El uso de la herramienta eléctrica para operaciones diferentes de aquellas para las que se diseñó podría resultar en una situación peligrosa.

USO Y CUIDADO DE LAS HERRAMIENTAS CON BATERÍA

23. **Asegurarse de que el interruptor esté en la posición apagada antes de colocar la batería.** Colocar la batería en las herramientas eléctricas que tienen el interruptor en la posición de encendido contribuye a que se produzcan accidentes.
24. **Recárguela solamente con el cargador especificado por el fabricante.** Un cargador que sea apropiado para un tipo de batería puede crear riesgo de incendio cuando se use con otra batería.
25. **Use las herramientas eléctricas solamente con baterías específicamente diseñadas.** El uso de cualquier otro tipo de batería puede crear riesgo de lesiones o incendio.
26. **Cuando no se use la batería manténgala alejada de otros objetos de metal como clips para papel, monedas, llaves, clavos, tornillos u otros objetos de metal pequeños que puedan realizar una conexión entre los bornes.** Realizar un cortocircuito en los terminales de la batería puede provocar quemaduras o un incendio.

27. **Bajo condiciones abusivas, puede salir líquido expulsado de la batería; evitar el contacto. Si se produce un contacto accidental, lavar con agua. Si el líquido entra en contacto con los ojos buscar ayuda médica adicional.** El líquido que sale despedido de la batería puede causar irritaciones o quemaduras.

MANTENIMIENTO

28. **Haga que un técnico calificado realice el mantenimiento de la herramienta eléctrica utilizando solamente piezas de repuesto idénticas.** Esto asegurará que se mantiene la seguridad de la herramienta eléctrica.

REGLAS DE SEGURIDAD ESPECÍFICAS

1. **¡PELIGRO!**
 - a) **Mantenga las manos lejos de la cuchilla y del área de corte. Mantenga una de sus manos sobre la empuñadura auxiliar o el cárter del motor.** Si sostiene la sierra con ambas manos, la cuchilla no podrá cortarlas.
 - b) **No meta la mano debajo de la pieza en la que se está trabajando.** La guarda no lo puede proteger de la cuchilla debajo de la pieza en la que se está trabajando.
 - c) **Ajuste la profundidad de corte al grosor de la pieza en la que se está trabajando.** Por debajo de la pieza en la que se está trabajando se debe ver menos de un diente completo de la cuchilla.
 - d) **NUNCA sujete la pieza que se está cortando con las manos o sobre las piernas. Asegure la pieza a una plataforma estable.** Es importante apoyar la pieza de manera apropiada para reducir al mínimo la exposición del cuerpo, el agarrotamiento de la cuchilla o la pérdida de control.
 - e) **Agarre la herramienta por los asideros aislados cuando realice una operación en la que la herramienta de corte pueda entrar en contacto con cables ocultos o con su propio cable.**

El contacto con un cable "con corriente" hará que las partes de metal expuesto de la herramienta pasen la corriente y produzcan una descarga al operador.

- f) **Cuando se esté serrando al hilo, use siempre una guía de cortar al hilo o una regla.** Esto mejora la precisión del corte y reduce la posibilidad de que la cuchilla se atasque.
 - g) **Utilice siempre las cuchillas en los orificios del eje del tamaño y la forma correcta (en rombo vs. redonda).** Las cuchillas que no coincidan con el dispositivo de montaje de la sierra girarán excéntricamente, provocando pérdida de control.
 - h) **Nunca utilice arandelas o pernos dañados o incorrectos.** Las arandelas y pernos de la cuchilla han sido especialmente diseñados para su sierra a fin de brindar un funcionamiento óptimo y un manejo seguro.
2. **Causas del contragolpe y formas en que el operador puede prevenirlo:**

El contragolpe es una reacción repentina ocasionada por una cuchilla mal alineada, atascada o apretada que hará que una sierra sin control se levante y se salga del corte, y salte en dirección del operario.

Cuando el corte se cierra, la cuchilla se aprieta o se atasca y, consiguientemente, se detiene; al detenerse la cuchilla, la reacción del motor mueve la sierra rápidamente hacia atrás en dirección del operario.

Si la cuchilla se tuerce o se desalinea del corte, los dientes en su borde inferior pueden horadar hasta la superficie ocasionando que la cuchilla se salga completamente del corte y salte hacia atrás en dirección del operario.

El REBOTE es el resultado de un uso indebido de la sierra o de procedimientos o condiciones de utilización incorrectos, y se puede evitar tomando las precauciones apropiadas que se presentan a continuación:

- a) **Agarre la sierra firmemente con ambas manos y coloque los brazos de manera que resistan las fuerzas de rebote. Coloque el cuerpo a cualquiera de los lados de la cuchilla, pero**



- no alineado con ésta. El rebote podría hacer que la sierra salte hacia atrás, pero las fuerzas de rebote pueden ser controladas por el operador si se toman las precauciones apropiadas.
- b) **Cuando una cuchilla se atasca, o cuando Ud. interrumpe un corte por alguna razón, suelte el gatillo y sostenga la sierra sin movimiento dentro del corte hasta que la cuchilla se detenga completamente. Nunca intente retirar la cuchilla del corte ni tirar de la sierra hacia atrás mientras la cuchilla sigue girando; de lo contrario puede ocasionar un CONTRAGOLPE.** Investigue por qué se atasca la cuchilla y tome las medidas correctivas pertinentes para eliminar el problema.
- c) **Al reanudar el trabajo en la pieza, centre la cuchilla en el corte y revise que los dientes no estén enclavados en el material.** Si la sierra se atasca, puede atravesar el material saliendo a la superficie y producir un CONTRAGOLPE cuando la sierra sea puesta en funcionamiento.
- d) **Cuando corte paneles muy largos, deberá apuntalarlos para minimizar el riesgo de que la cuchilla se apriete y produzca un CONTRAGOLPE.** Los paneles de grandes dimensiones tienden a combarse por su propio peso. Los puntales o soportes deben colocarse debajo del panel a ambos lados, cerca de la línea de corte y cerca del borde del panel.
- e) **No utilice una cuchilla dañada o sin filo.** Las cuchillas sin filo o aquéllas colocadas incorrectamente producen un corte estrecho ocasionando que haya una fricción excesiva, y la cuchilla se atasque y produzca un CONTRAGOLPE.
- f) **Las palancas inmovilizadoras para ajustar el bisel y la profundidad deben ajustarse y asegurarse antes de comenzar a realizar el corte.** Si el ajuste de la cuchilla cambia mientras se efectúa el corte, la cuchilla puede atasarse y producir un CONTRAGOLPE.

- g) **Sea extremadamente precavido cuando realice un "corte por penetración" en paredes u otras áreas ciegas.** La cuchilla que sobresale puede cortar objetos que pueden provocar el rebote.
3. **Verifique que la guarda inferior esté bien cerrada antes de cada uso. No utilice la sierra si la guarda inferior no se mueve libremente y no se cierra inmediatamente.** Nunca amarre o sujete la guarda inferior en la posición abierta. Si se le cae la sierra accidentalmente, es posible que la guarda inferior se doble. Suba la guarda inferior con su palanca correspondiente y asegúrese de que se mueve libremente y de que no toca la cuchilla ni ninguna otra pieza en todos los ángulos y profundidades de corte.
4. **Revise el funcionamiento y el estado del resorte de la guarda inferior. Si la guarda y el resorte no funcionan correctamente, deberá repararlos antes de utilizar la sierra.** La guarda inferior puede tener un funcionamiento lento debido a alguna parte dañada, a depósitos adherentes o a la acumulación de residuos.
5. **El protector inferior debe retraerse manualmente solamente para cortes especiales como "cortes por penetración" y "cortes compuestos". Suba la guarda inferior usando la palanca correspondiente y, tan pronto como la cuchilla entra en el material, se debe soltar la guarda inferior.** Para todas las demás tareas de serrado la guarda inferior debe funcionar automáticamente.
6. **Antes de colocar la sierra sobre la mesa de trabajo o el piso, observe siempre si la guarda inferior está cubriendo la cuchilla.** Una cuchilla que continúa girando y no tiene protección hará que la sierra avance hacia atrás cortando todo lo que esté a su paso. Tome en cuenta el tiempo que tarda la cuchilla en detenerse después de soltar el interruptor.
7. **Guarde las etiquetas y placas de especificaciones.** Estas tienen información importante. Si son ilegibles o si no se pueden encontrar, póngase en contacto con un centro de servicio de MILWAUKEE para una refacción gratis.

8. **¡ADVERTENCIA!** Algunas partículas de polvo resultantes del lijado mecánico, aserrado, esmerilado, taladrado y otras actividades relacionadas a la construcción, contienen sustancias químicas que se saben ocasionan cáncer, defectos congénitos u otros daños al aparato reproductivo. A continuación se citan algunos ejemplos de tales sustancias químicas:
- plomo proveniente de pinturas con base de plomo
 - sílice cristalino proveniente de ladrillos, cemento y otros productos de albañilería y
 - arsénico y cromo provenientes de madera químicamente tratada.
- El riesgo que usted sufre debido a la exposición varía dependiendo de la frecuencia con la que usted realiza estas tareas. Para reducir la exposición a estas sustancias químicas: trabaje en un área bien ventilada, y utilice equipo de seguridad aprobado como, por ejemplo, máscaras contra el polvo que hayan sido especialmente diseñadas para filtrar partículas microscópicas.

9. **No toque el material después de cortarlo.** El material cortado podría estar muy caliente.
10. **No use aceite para corte.** El uso de aceite para corte podría ocasionar un incendio.
11. **No use la herramienta cerca de material inflamable.** Las chispas pueden ocasionar un incendio.
12. **No corte las piezas de trabajo cubiertas o manchadas con gasolina, aceite, solventes, diluyentes, etc.** La exposición a estos materiales puede dañar la guarda transparente.
13. **No retire la guarda frontal transparente.** Si la guarda frontal transparente está dañada o falta, devuelva la herramienta a un taller autorizado de servicio para su reemplazo.
14. **No ponga en marcha la cuchilla cuando esté en contacto con la pieza de trabajo.** Espere a que la cuchilla alcance la velocidad máxima antes de comenzar el corte.

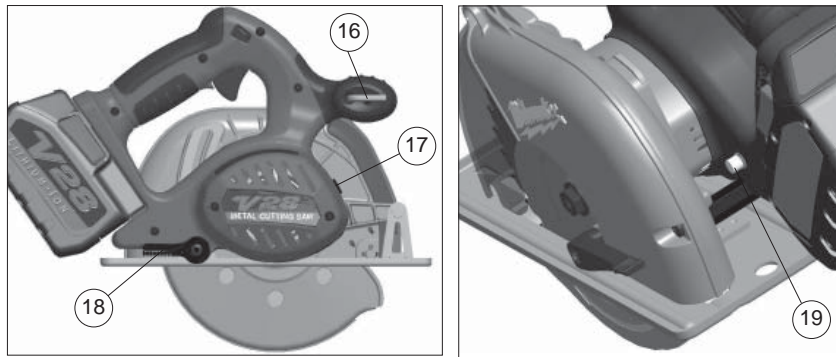
Simbología

	Volts corriente directa
$n_0 \text{ xxx } \text{min.}^{-1}$	Cortes por minuto sin carga (RPM)
	Underwriters Laboratories, Inc., Estados Unidos y Canadá

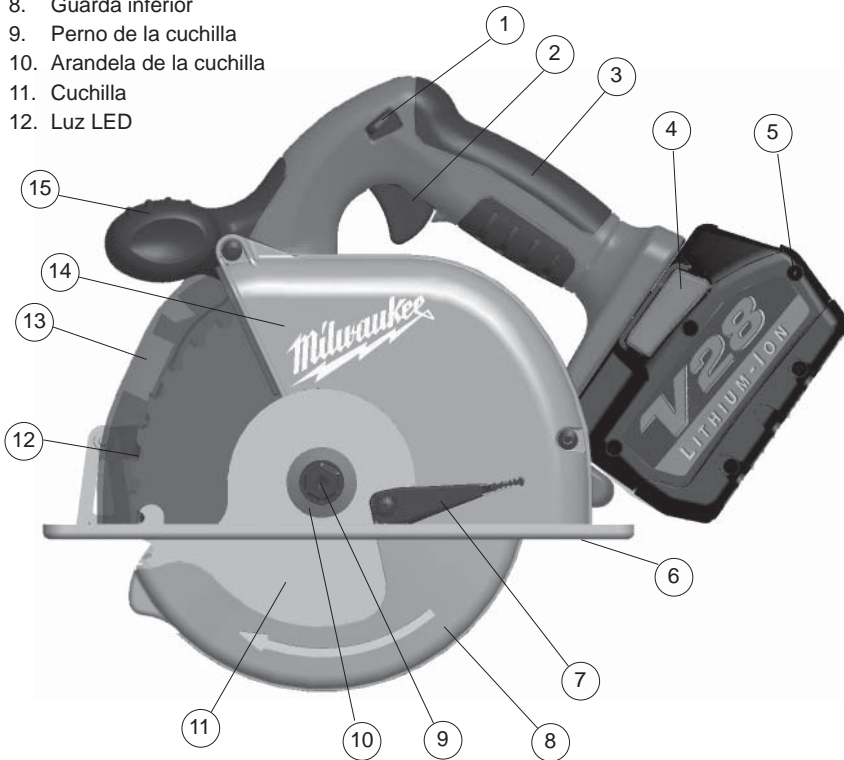
Especificaciones

Cat. No.	Volts cd	RPM	Tamaño de la segueta	Eje	Profundidad de corte a 90°
0740-20	28	3 200	174 mm (6-7/8")	20 mm	0 a 60 mm (0 a 2-3/8")

DESCRIPCIÓN FUNCIONAL



- | | |
|--|--------------------------------------|
| 1. Botón de liberación | 13. Guarda frontal transparente |
| 2. Gatillo | 14. Guarda superior |
| 3. Empuñadura | 15. Empuñadura frontal |
| 4. Botones de liberación de la batería | 16. Llave de tuercas |
| 5. Batería | 17. Botón de bloqueo del husillo |
| 6. Zapata | 18. Palanca de ajuste de profundidad |
| 7. Palanca de la guarda inferior | 19. Protector contra sobrecargas |
| 8. Guarda inferior | |
| 9. Perno de la cuchilla | |
| 10. Arandela de la cuchilla | |
| 11. Cuchilla | |
| 12. Luz LED | |



MONTAJE DE LA HERRAMIENTA

⚠ ADVERTENCIA

Cargue solamente con el cargador especificado para la batería. Para obtener instrucciones específicas de carga, lea el manual del operador que se incluye con el cargador y la batería.

⚠ ADVERTENCIA

Para reducir el riesgo de lesiones, trabe siempre el gatillo o quite la batería antes de cambiar o quitar accesorios. Use solamente accesorios específicamente recomendados para esta herramienta. El uso de otros puede resultar peligroso.



Inserción de una batería ← → Extracción de una batería

Extracción de la batería de la herramienta

Presione los botones de liberación y jale de la batería para sacarla de la herramienta.

Inserción de la batería en la herramienta

Para insertar la batería en la herramienta, deslízcala sobre el cuerpo de la herramienta. Asegúrese de que se asegura bien en su

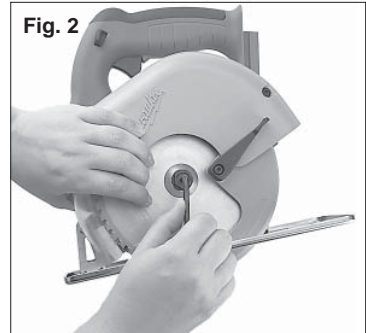
Selección de la cuchilla

Seleccione una cuchilla apropiada para su aplicación. Consulte la sección "Accesorios" a fin de obtener una lista de las cuchillas a usar para las aplicaciones correctas de esta herramienta.

Siempre use cuchillas afiladas. Las cuchillas sin filo tienden a sobrecargar la herramienta y aumentan la probabilidad de CONTRAGOLPE. Sólo use cuchillas de ranura delgada con una velocidad máxima de operación segura mayor que las RPM sin carga indicadas en la placa de especificaciones de la herramienta. Lea las instrucciones del fabricante de la cuchilla antes de usarla. No use cuchillas abrasivas ni romboidales en seco de ningún tipo. Use el tipo correcto de cuchilla para su aplicación. El uso de una cuchilla errónea puede resultar en un desempeño deficiente o en daño a la cuchilla. No use cuchillas que estén agrietadas ni que tengan dientes rotos. No afile las cuchillas de metales ferrosos; consulte las recomendaciones del fabricante respecto al afilado.

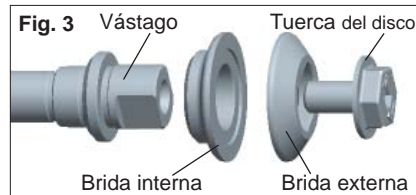
Instalación y extracción de cuchillas

1. Extraiga la batería.
2. Coloque la sierra sobre una superficie plana con la cuchilla orientada hacia arriba. Para extraer el perno del husillo, oprima el botón de bloqueo del husillo. Mientras mantiene oprimido el botón de bloqueo del husillo, use la llave de tuercas provista con la herramienta para girar el perno en el sentido de las manecillas del reloj (Fig. 2). Extraiga el perno y la arandela de la cuchilla.

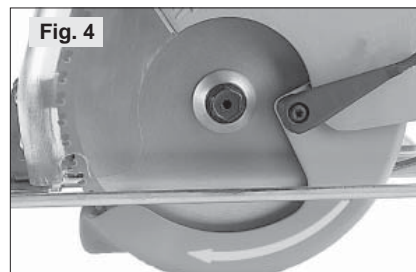


- Deslice hacia arriba la palanca de la guarda inferior para elevar la guarda inferior. Extraiga la cuchilla del husillo. Siempre limpie el husillo y las guardas superior e inferior para eliminar cualquier suciedad y polvo.

NOTA: No retire la brida interna. Le plus grand diamètre de la brida interna doit appuyer sur la lame (Fig. 3).



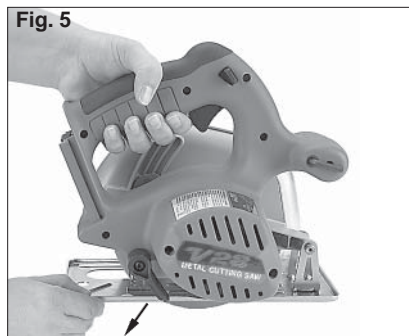
- Para instalar una cuchilla, coloque la cuchilla en el husillo con los dientes apuntando en la misma dirección que la flecha en la guarda inferior (Fig. 4). Suelte la palanca de la guarda inferior.



- Coloque la arandela de la cuchilla en el husillo y apriete el perno con la mano.
- Mientras mantiene oprimido el botón de bloqueo, use la llave de tuercas para girar el perno en sentido contrario a las manecillas del reloj y apretarlo.

Cómo ajustar la profundidad de corte

- Extraiga la batería.
- Para ajustar la profundidad de corte, sujete la sierra por la empuñadura y afloje la palanca de ajuste de profundidad de corte empujándola hacia abajo y hacia la zapata (Fig. 5).



- Eleve o descienda la zapata hasta la posición deseada. Para seleccionar la profundidad de corte apropiada, la cuchilla no debe extenderse más de 6,4 mm (1/4") por debajo del material a cortar (Fig. 6).



- Eleve la palanca de ajuste de profundidad hacia el alojamiento del motor para fijar la posición de la zapata.

Guarda Frontal Transparente

La guarda frontal transparente le permite visualizar fácilmente la línea de corte. Si la guarda transparente está agrietada o rota, devuélvala a un centro de servicio de MILWAUKEE para su reemplazo. Nunca use la cortadora de metal sin la guarda transparente en posición o con una guarda dañada.



ADVERTENCIA

A fin de reducir el riesgo de lesionarse, no retire la guarda frontal transparente. Si la guarda frontal transparente está dañada o falta, devuelva la herramienta a un taller autorizado de servicio para su reemplazo.

APLICACIONES

Esta herramienta ha sido diseñada para cortar metales ferrosos no templados, metales no ferrosos, plásticos, paneles de fibrocemento y madera. Consulte la sección "Accesorios" a fin de obtener una lista de las cuchillas a usar para las aplicaciones correctas de esta herramienta. Es preciso observar las precauciones a continuación para reducir el riesgo de lesiones:

- No corte materiales apilados. Corte una pieza a la vez.
- No corte acero templado.
- Corte los materiales con el borde más ancho de la zapata sobre el lado prensado del material.
- No toque con las manos desnudas la cuchilla, la pieza de trabajo ni las rebabas del corte inmediatamente después de efectuar el corte; podrían estar calientes y ocasionar quemaduras de la piel.
- Ajuste el ángulo de corte de la cuchilla a la pieza a trabajar de forma que la cuchilla atraviese las secciones más angostas.

Corte de materiales delgados o corrugados

Corte los materiales delgados y corrugados al menos a 25 mm (1") del borde de la pieza de trabajo para evitar lesiones o daños a la herramienta ocasionados por las tiras delgadas de metal que pudieran introducirse en la guarda superior.

Corte de paneles grandes

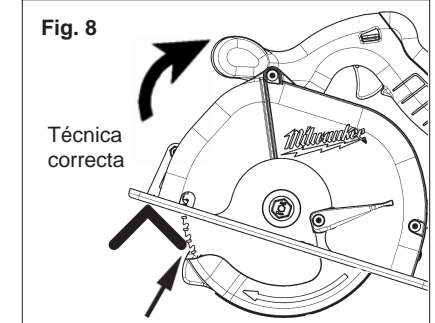
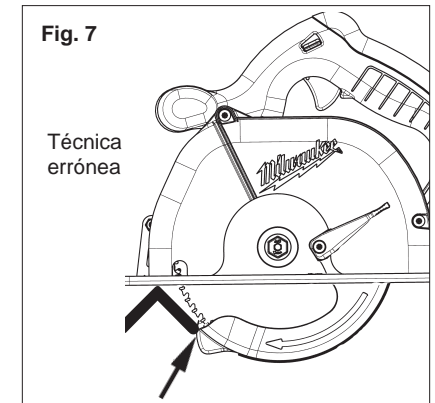
Los paneles grandes se flexionan o pandean si no se apoyan correctamente. Si intenta cortar la pieza de trabajo sin apoyarla y nivelarla debidamente, la cuchilla tenderá a atorarse, y ocasionará un CONTRAGOLPE.

Apoye los paneles grandes. Asegúrese de ajustar la profundidad de corte de manera que sólo corte la pieza de trabajo y no los apoyos.

Al efectuar cortes con anchuras mayores de 102 mm (4"), preñe o clave una pieza de madera de 25 mm (1") a la pieza de trabajo y use el borde interior de la zapata como guía.

Cortes en materiales angulares

Al cortar materiales angulares, incline la herramienta hacia atrás para evitar que la guarda inferior se apoye en el ángulo.



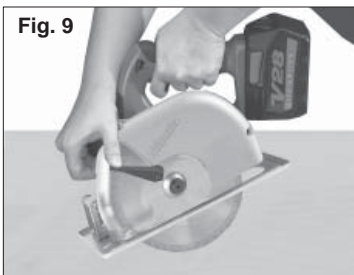


ADVERTENCIA

Para reducir el riesgo de electrocución, antes de realizar cortes de cavidades verifique que en el área de trabajo no hayan tuberías o cables ocultos.

Corte de cavidades

Los cortes de cavidades se realizan en el centro de la pieza de trabajo cuando no se puede efectuar el corte desde un borde. Para este tipo de corte, recomendamos el uso de una sierra alternativa Sawzall® o una sierra caladora. Sin embargo, si es necesario usar una sierra circular para realizar un corte de cavidad, TENGA SUMA PRECAUCION. Para mantener el control de la sierra durante el corte de la cavidad, mantenga ambas manos sobre la sierra (Fig. 9).



FUNCIONAMIENTO



ADVERTENCIA

Para reducir el riesgo de lesiones, use solamente los accesorios recomendados. El uso de accesorios no recomendados podría resultar peligroso.

Causas del CONTRAGOLPE y Prevención del Operador:

El CONTRAGOLPE es una reacción repentina a una cuchilla aplastada, atorada o desalineada que causa que una sierra sin control se eleve y se lance en dirección del operador.

Cuando la ranura de corte se cierra y la cuchilla queda aplastada o se atora firme-

1. Comenzando por una esquina, alinee la línea guía con la línea de corte. Incline la sierra hacia adelante, fijando firmemente el frente de la zapata en la pieza de trabajo. La cuchilla debe quedar colocada justo encima de la línea de corte, pero sin hacer contacto con la misma. Eleve la guarda inferior mediante la palanca de la guarda inferior.
2. Para poner en marcha la sierra, oprima el botón de liberación de bloqueo mientras oprime el gatillo. Permita que el motor alcance la velocidad máxima antes de comenzar el corte. Usando el frente de la zapata como punto de pivote, descienda gradualmente la parte posterior de la sierra en la pieza de trabajo. Suelte la palanca de la guarda inferior y sujete la empuñadura frontal.
3. Cuando la zapata esté completamente apoyada sobre la pieza de trabajo, avance la sierra hacia la esquina opuesta. Suelte el gatillo y deje que la cuchilla se detenga completamente antes de extraerla de la pieza de trabajo. Repita los pasos anteriores para cada lado de la abertura. Use una sierra alternativa Sawzall®, una sierra caladora o un serrucho pequeño para terminar las esquinas que no estén cortadas completamente.

mente en ella, la cuchilla se detiene y la reacción del motor lanza a la unidad rápidamente hacia el operador.

Si la cuchilla se dobla o se desalinea en el corte, los dientes en el borde posterior de la cuchilla pueden enterrarse en la superficie superior de la madera y hacer que la cuchilla se salga de la ranura, ocasionando que la herramienta salte en dirección del operador.

El CONTRAGOLPE es el resultado del uso indebido de la herramienta o de las condiciones o procedimientos operacionales erróneos y puede evitarse mediante precauciones apropiadas según se indica a continuación:

1. **Sujete firmemente la herramienta con ambas manos y coloque su cuerpo y brazo de manera que le permitan resistir las fuerzas del CONTRAGOLPE. El operador puede controlar las fuerzas del CONTRAGOLPE si se toman las precauciones apropiadas.**
2. **Cuando la cuchilla se esté atorando, o al interrumpir el corte por cualquier razón, suelte el gatillo y sujete la sierra sobre el material, sin moverla, hasta que la cuchilla se detenga completamente.** Nunca intente extraer la sierra de la pieza de trabajo ni tire de la sierra hacia atrás mientras la cuchilla esté en movimiento ya que podría ocurrir un CONTRAGOLPE. Investigue y tome las acciones correctivas para eliminar la causa de atoramiento de la cuchilla.
3. **Al volver a colocar la sierra en la pieza de trabajo, centre la cuchilla en la ranura o corte, y verifique que los dientes de la sierra no hagan contacto con el material.** Si la cuchilla se traba, podría elevarse o producir el CONTRAGOLPE de la pieza de trabajo al activar la sierra.
4. **Brinde apoyo a los paneles grandes para minimizar el riesgo de que la cuchilla quede atrapada y de producir un CONTRAGOLPE.** Los paneles grandes tienden a pandearse bajo su propio peso. Es necesario colocar apoyos debajo del panel en ambos lados, cerca de la línea de corte y cerca del borde del panel.
5. **No use cuchillas desafiladas o dañadas.** Las cuchillas desafiladas o con triscado erróneo producen una ranura delgada que ocasiona fricción excesiva, atoramiento de la cuchilla y CONTRAGOLPE.
6. **La palanca de profundidad de la cuchilla debe estar apretada firmemente antes de efectuar el corte.** Si el ajuste de la cuchilla se mueve durante el corte, puede ocasionar atoramiento y CONTRAGOLPE.
7. **Observe suma precaución al efectuar un "Corte de cavidad" en paredes existentes o en otras áreas cerradas.** La cuchilla saliente puede cortar objetos que a su vez pueden ocasionar CONTRAGOLPE.
8. **Ajuste la profundidad de corte a un máximo de 3,2 mm a 6,4 mm (1/8" a 1/4") mayor que el grosor del material.** Al reducir la exposición de la cuchilla, menor será la probabilidad de atoramiento y de CONTRAGOLPE. Antes de cortar, asegúrese de que los ajustes de profundidad y de corte en bisel estén apretados.
9. **Tenga precaución con el material resinoso, con nudos, húmedo o pandeado.** Estos materiales seguramente crearán condiciones de atoramiento y posible CONTRAGOLPE. No corte longitudinalmente una pieza de madera que tenga pandeo. Evite cortar clavos.
10. **Manténgase alerta. Cualquier distracción puede ocasionar pandeo o atoramiento.** Los cortes repetitivos pueden hacer que el usuario efectúe movimientos descuidados.



ADVERTENCIA

A fin de reducir el riesgo de lesionarse, use anteojos de seguridad con protección lateral.

Operación general

Siempre sujete con firmeza la pieza en un caballete o en un banco de trabajo (Fig. 10). Consulte la sección "APLICACIONES" para determinar la manera correcta de apoyar su pieza de trabajo en situaciones diferentes.

Fig. 10



1. Marque una línea de corte. Coloque el frente de la zapata en el borde de la pieza de trabajo sin hacer contacto con la cuchilla. Sujete la empuñadura de la herramienta con una mano y la empuñadura delantera con la otra (Fig. 11).



Fig. 11

2. Alinee la línea guía con la línea de corte. Coloque sus brazos y su cuerpo en posición para resistir el CONTRAGOLPE.
3. Para poner en marcha la sierra, oprima el botón de liberación de bloqueo mientras oprime el gatillo. Permita que el motor alcance la velocidad máxima antes de comenzar el corte.
NOTA: Las vueltas luz LED en cuando el disparador se tira.
4. Al cortar, mantenga la zapata apoyada sobre la pieza de trabajo y sujete firmemente la herramienta. No fuerce la herramienta a través de la pieza de trabajo. Al forzar la herramienta puede ocasionar el CONTRAGOLPE. Aplique presión continua para realizar el corte a la vez que sigue la línea de corte a través de la guarda transparente o de la línea guía.
5. Al efectuar un corte parcial, al reanudar un corte o al corregir la dirección, deje que la cuchilla se detenga completamente. Para reanudar el corte, centre la cuchilla en la ranura, retroceda la sierra unos pocos centímetros desde el borde de corte, oprima el botón de liberación de bloqueo a la vez que tira del gatillo y vuelva a entrar lentamente al corte.
6. Si la sierra se atora y se detiene, continúe sujetándola firmemente y suelte inmediatamente el gatillo. Sujete la sierra en la pieza de trabajo, sin moverla, hasta que la cuchilla se detenga completamente.
7. Al terminar un corte, asegúrese de que la guarda inferior cierre y que la cuchilla se detenga completamente antes de colocar la sierra sobre el banco de trabajo.

Protector contra sobrecargas

El protector contra sobrecargas automáticamente apaga la herramienta cuando el motor se sobrecarga. La herramienta puede verse sobreexigida al usar una cuchilla desafilada o al usar los materiales para cortar demasiado rápido. Para evitar que el protector contra sobrecargas apague la herramienta, siempre haga uso de una cuchilla afilada y siga las instrucciones de corte incluidas en la sección de "Aplicaciones". No intentar cancelar o anular el protector contra sobrecargas.

Si la herramienta se apaga automáticamente:

1. Suelte el gatillo.
2. Extraiga la cuchilla de la pieza donde está trabajando.
3. Reajuste el protector contra sobrecargas apretando el botón.
Nota: Si la herramienta no comienza a funcionar luego de oprimir el botón, deje que se enfríe durante unos minutos y vuelva a intentar.
4. Deje que la herramienta se enfríe haciéndola funcionar sin carga.
5. Reinicie el corte. Al volver a colocar la sierra en la pieza de trabajo, centre la cuchilla en la ranura o corte, y verifique que los dientes de la sierra no hagan contacto con el material. Si la cuchilla se traba, podría elevarse o producir el CONTRAGOLPE de la pieza de trabajo al activar la sierra.

Resolución de problemas

Si la cuchilla no sigue una línea recta:

- Los dientes están desafilados. Esto puede ocurrir al golpear contra un objeto duro como un clavo o una piedra, desafilando los dientes en un lado. La cuchilla tiende a cortar hacia el lado con los dientes más afilados.
- La placa de apoyo está desalineada o doblada
- La cuchilla está doblada

Si la cuchilla se atora, produce humo o se vuelve azul por la fricción:

- La cuchilla está desafilada
- La cuchilla está al revés
- La cuchilla está doblada
- La cuchilla está sucia
- La pieza de trabajo no está apoyada debidamente
- Se está usando una cuchilla errónea
- La batería está descargada

Freno eléctrico

El freno eléctrico se activa cuando se suelta el gatillo, haciendo que la segueta se pare y permitiéndole continuar con la tarea. Generalmente, la segueta se para en dos segundos. Sin embargo, puede que haya un retraso entre el momento que suelta el gatillo y cuando se activa el freno. Ocasionalmente el freno puede que se salte completamente. Si el freno se salta con frecuencia, la segueta necesita servicio de un centro de mantenimiento autorizado *MILWAUKEE*. El freno no es un sustituto de la guarda, y siempre debe esperar hasta que la cuchilla se detenga completamente antes de sacar la sierra de la pieza.

Batería de iones de litio V28™

A diferencia de otros tipos de baterías, las baterías de iones de litio proporcionan una alimentación constante durante todo el tiempo de funcionamiento. La herramienta no sufrirá una lenta pérdida gradual de potencia a medida que trabaja. Para indicarle que la batería V28 está llegando al final de su carga y que se debe recargar, la potencia de la herramienta se reducirá rápidamente. Cuando esto ocurre, quite la herramienta de la pieza y cargue la batería según sea necesario.

Protección de la batería

Para protegerla de daños y extender su duración, el circuito inteligente de la batería V28™ apagará la batería si su temperatura interna aumenta excesivamente. Esto podría ocurrir en situaciones con un par motor demasiado alto, en las que la herramienta se atasque y se pare. La batería debe colocarse en el cargador para volverla a encender. La luz indicadora del cargador parpadeará en rojo indicando que la batería está demasiado caliente. Una vez que la luz se queda fija de color rojo, la batería se ha enfriado y se puede volver a usar.

Funcionamiento en clima frío

La batería de iones de litio V28™ se puede usar en temperaturas de hasta -20°C (-4°F). Cuando la batería está muy fría, puede pulsar durante el primer minuto de uso para calentarse. Coloque la batería en una herramienta y use la herramienta para una tarea ligera. Después de aproximadamente un minuto, la batería estará caliente y funcionará normalmente.

MANTENIMIENTO



ADVERTENCIA

Para reducir el riesgo de lesiones personales, desenchufe siempre el cargador y quite la batería del mismo o de la herramienta antes de realizar mantenimiento. Nunca desmonte la herramienta, la batería o el cargador. Póngase en contacto con un centro de reparaciones MILWAUKEE para TODAS las reparaciones.

Mantenimiento de la herramienta

Mantenga la herramienta, la batería y el cargador en buenas condiciones siguiendo el programa de mantenimiento regular. Después de entre seis meses y un año, dependiendo del uso, lleve la herramienta, batería y cargador a un centro de reparaciones MILWAUKEE para:

- Lubricación
- Inspección y reemplazo de las escobillas
- Inspección mecánica y limpieza (engranajes, ejes, cojinetes, alojamiento, etc.)
- Inspección eléctrica (batería, cargador, motor)
- Pruebas para asegurar el funcionamiento mecánico y eléctrico apropiado

Si la herramienta no enciende ni funciona al máximo de potencia con una batería completamente cargada, limpiar los contactos de la batería. Si la herramienta aún no funciona apropiadamente, lleve la herramienta, el cargador y la batería a un centro de reparaciones MILWAUKEE para que la reparen.



ADVERTENCIA

Para reducir el riesgo de lesiones personales y daños, nunca sumerja la herramienta, la batería o el cargador en un líquido ni permita que les entre líquido.

Limpieza

Limpiar el polvo y los residuos de las rejillas de ventilación y los contactos eléctricos con aire comprimido. Mantenga los asideros de la herramienta limpios, secos y sin aceite o grasa. Use solamente un jabón suave y un paño húmedo para limpiar la herramienta, la batería y el cargador, manteniéndolos alejados de todos los contactos eléctricos. Ciertos agentes limpiadores y disolventes son perjudiciales para los plásticos y para otras piezas aisladas. Algunos de estos son la gasolina, turpentina, decapante para laca, decapante para pintura, soluciones limpiadoras con cloro, amoníaco y detergentes para la casa que contengan amoníaco. Nunca use disolventes inflamables o combustibles cerca de las herramientas.

Reparaciones

Para las reparaciones, lleve la herramienta, la batería y el cargador al centro de reparaciones autorizado más cercano.

ACCESORIOS



ADVERTENCIA

Quite siempre la batería antes de cambiar o quitar accesorios. Use solamente accesorios específicamente recomendados para esta herramienta. El uso de otros puede resultar peligroso.

Para recibir una lista completa de accesorios, consulte su catálogo de herramientas eléctricas MILWAUKEE o vaya a www.milwaukeetool.com en Internet. Para obtener un catálogo, póngase en contacto con su distribuidor local o con un centro de reparaciones.

Cuchillas para Cortar de Metal de 174 mm (6-7/8 pulgadas):

Cuchilla de Metal no Férrico

Cat. No. 48-40-4006

Cuchilla de Metal Férrico

Cat. No. 48-40-4016

Cuchilla de Fibra Cemento

Cat. No. 48-40-4026

GARANTÍA LIMITADA DE CINCO AÑOS

Cada herramienta eléctrica MILWAUKEE (incluyendo el cargador de batería) está garantizada sólo al comprador original de estar libre de defectos en el material y la mano de obra. Sujeto a ciertas excepciones, MILWAUKEE reparará o reemplazará por un período de cinco (5) años* después de la fecha de compra cualquier pieza en una herramienta eléctrica que, después de haber sido examinada, MILWAUKEE determine que está defectuosa en el material o la mano de obra. Regrese la herramienta eléctrica y una copia de la prueba de compra a un concesionario de soporte de ventas/servicio de fábrica MILWAUKEE o a una estación de servicio autorizada MILWAUKEE. Para que esta garantía sea efectiva, se requiere el flete pagado por anticipado y el seguro. Esta garantía no aplica a los daños que MILWAUKEE determine sean ocasionados por reparaciones o intentos de reparación por cualquier otro que personal autorizado por MILWAUKEE, uso indebido, alteraciones, abuso, desgaste y deterioro normal, falta de mantenimiento o accidentes.

* El período de garantía para Montacargas (de palanca, de cadena de mano y de cadena eléctrica), baterías de Ni-Cd, linternas de trabajo (inalámbricas), radios Job Site, y carros para trabajo industrial Trade Titans™ es de un (1) año a partir de la fecha de compra.

*Hay una garantía separada para las baterías de iones de litio que acompañan las herramientas eléctricas:

*Cada batería de iones de litio de MILWAUKEE está cubierta con una garantía de reemplazo gratuito por las primeras 1000 cargas/2 años. Esto significa que por lo que suceda primero, las primeras 1000 cargas o dos (2) años de la fecha de compra/primer carga, se proporcionará sin cargo al cliente, una batería de reemplazo por cualquier batería defectuosa. A partir de entonces, los clientes recibirán una garantía adicional en una base proporcional que puede ser hasta de las primeras 2000 cargas o cinco (5) años de la fecha de compra/primer carga, lo que suceda primero. Esto significa que cada cliente obtiene una garantía proporcional de 1000 cargas o tres (3) años adicionales en la batería de iones de litio, dependiendo de la cantidad de uso. Durante este período adicional de garantía, el cliente paga por sólo el servicio utilizable recibido durante y superior a las primeras 1000 cargas/2 años, en base de la fecha de la primer carga y número de cargas encontrados en la batería a través del lector de servicio de MILWAUKEE. Se carga una cantidad proporcionalmente por el servicio presentado al cliente, después de 1000 cargas/2 años de la fecha de compra/primer carga.

El registro de la garantía no es necesario para obtener la garantía aplicable en un producto MILWAUKEE. Sin embargo, se requiere un recibo de compras u otra información similar que MILWAUKEE considere suficiente.

LA ACEPTACIÓN DE LOS REMEDIOS EXCLUSIVOS DE REPARACIÓN Y REEMPLAZO AQUÍ DESCRITOS ES UNA CONDICIÓN DEL CONTRATO EN LA COMPRA DE CADA PRODUCTO MILWAUKEE. SI NO ESTÁ DE ACUERDO CON ESTA CONDICIÓN, NO DEBERÍA COMPRAR ESTE PRODUCTO. EN NINGÚN CASO MILWAUKEE SERÁ RESPONSABLE POR CUALESQUIER DAÑO PUNITIVO, CONSECUENTE, ESPECIAL, INCIDENTAL O POR CUALESQUIER COSTO, HONORARIOS DE ABOGADO, GASTOS, PÉRDIDAS O RETRASOS QUE SE ARGUMENTE QUE SEAN UNA CONSECUENCIA DE CUALQUIER DAÑO A, FALLA DE, O DEFECTO EN CUALQUIER PRODUCTO, INCLUYENDO, PERO SIN LIMITARSE A, CUALQUIER RECLAMO POR PÉRDIDAS DE GANANCIAS. ESTA GARANTÍA ES EXCLUSIVA Y REEMPLAZA TODAS LAS DEMÁS GARANTÍAS O CONDICIONES, ORALES O ESCRITAS, EXPRESAS O IMPLÍCITAS. SIN LIMITAR LA GENERALIDAD DE LO ANTERIOR, MILWAUKEE RENUNCIA A TODA GARANTÍA IMPLÍCITA DE COMERCIABILIDAD O APTITUD PARA UN FIN O USO ESPECÍFICO Y DEMÁS GARANTÍAS.

Esta garantía es válida solamente en el producto vendido en los Estados Unidos, México y Canadá.

Consulte la página Web de MILWAUKEE www.milwaukeetool.com o llame al 1.800.SAWDUST (1.800.729.3878) para localizar su técnico de servicio más cercano para el servicio con o sin garantía en una herramienta eléctrica MILWAUKEE.

UNITED STATES - MILWAUKEE Service

MILWAUKEE prides itself in producing a premium quality product that is NOTHING BUT HEAVY DUTY®. Your satisfaction with our products is very important to us!

If you encounter any problems with the operation of this tool, or you would like to locate the *factory Service/Sales Support Branch* or *authorized service station*

nearest you, please call...

1-800-SAWDUST

(1.800.729.3878)

NATIONWIDE TOLL FREE

Monday-Friday • 8:00 AM - 4:30 PM • Central Time

or visit our website at

www.milwaukeetool.com

For service information, use the 'Service Center Search' icon found in the 'Parts & Service' section.

Additionally, we have a nationwide network of *authorized* Distributors ready to assist you with your tool and accessory needs. Check your "Yellow Pages" phone directory under "Tools-Electric" for the names & addresses of those nearest you or see the 'Where To Buy' section of our website.

Corporate After Sales Service - Technical Support
Brookfield, Wisconsin USA

•Technical Questions •Service/Repair Questions •Warranty

1-800-SAWDUST

(1.800.729.3878) fax: 1.800.638.9582

email: metproductsupport@milwaukeetool.com

Monday-Friday • 8:00 AM - 4:30 PM • Central Time

Canada - Service MILWAUKEE

MILWAUKEE est fier de proposer un produit de première qualité NOTHING BUT HEAVY DUTY®. Votre satisfaction est ce qui compte le plus!

En cas de problèmes d'utilisation de l'outil ou pour localiser le centre de service/ventes ou le *centre d'entretien* le plus proche, appelez le...

416.439.4181

fax: 416.439.6210

Milwaukee Electric Tool (Canada) Ltd

755 Progress Avenue
Scarborough, Ontario M1H 2W7

Notre réseau national de distributeurs *agréés* se tient à votre disposition pour fournir l'aide technique, l'outillage et les accessoires nécessaires. Composez le 416.439.4181 pour obtenir les noms et adresses des revendeurs les plus proches ou bien consultez la section «Où acheter» sur notre site web à l'adresse

www.milwaukeetool.com

MEXICO - Soporte de Servicio MILWAUKEE

Milwaukee Electric Tool, S.A. de C.V.

Blvd. Abraham Lincoln no. 13

Colonia Los Reyes Zona Industrial

Tlalnepanitla, Edo. México C.P. 54073

Tel. (55) 5565-1414 Fax: (55) 5565-6874

Adicionalmente, tenemos una red nacional de distribuidores *autorizados* listos para ayudarle con su herramienta y sus accesorios. Por favor, llame al (55) 5565-1414 para obtener los nombres y direcciones de los más cercanos a usted, o consulte la sección 'Where to buy' (Dónde comprar) de nuestro sitio web en

www.milwaukeetool.com

MILWAUKEE ELECTRIC TOOL CORPORATION

13135 West Lisbon Road • Brookfield, Wisconsin, U.S.A. 53005

58-14-1025d2

04/06

Printed in USA

Free Manuals Download Website

<http://myh66.com>

<http://usermanuals.us>

<http://www.somanuals.com>

<http://www.4manuals.cc>

<http://www.manual-lib.com>

<http://www.404manual.com>

<http://www.luxmanual.com>

<http://aubethermostatmanual.com>

Golf course search by state

<http://golfingnear.com>

Email search by domain

<http://emailbydomain.com>

Auto manuals search

<http://auto.somanuals.com>

TV manuals search

<http://tv.somanuals.com>