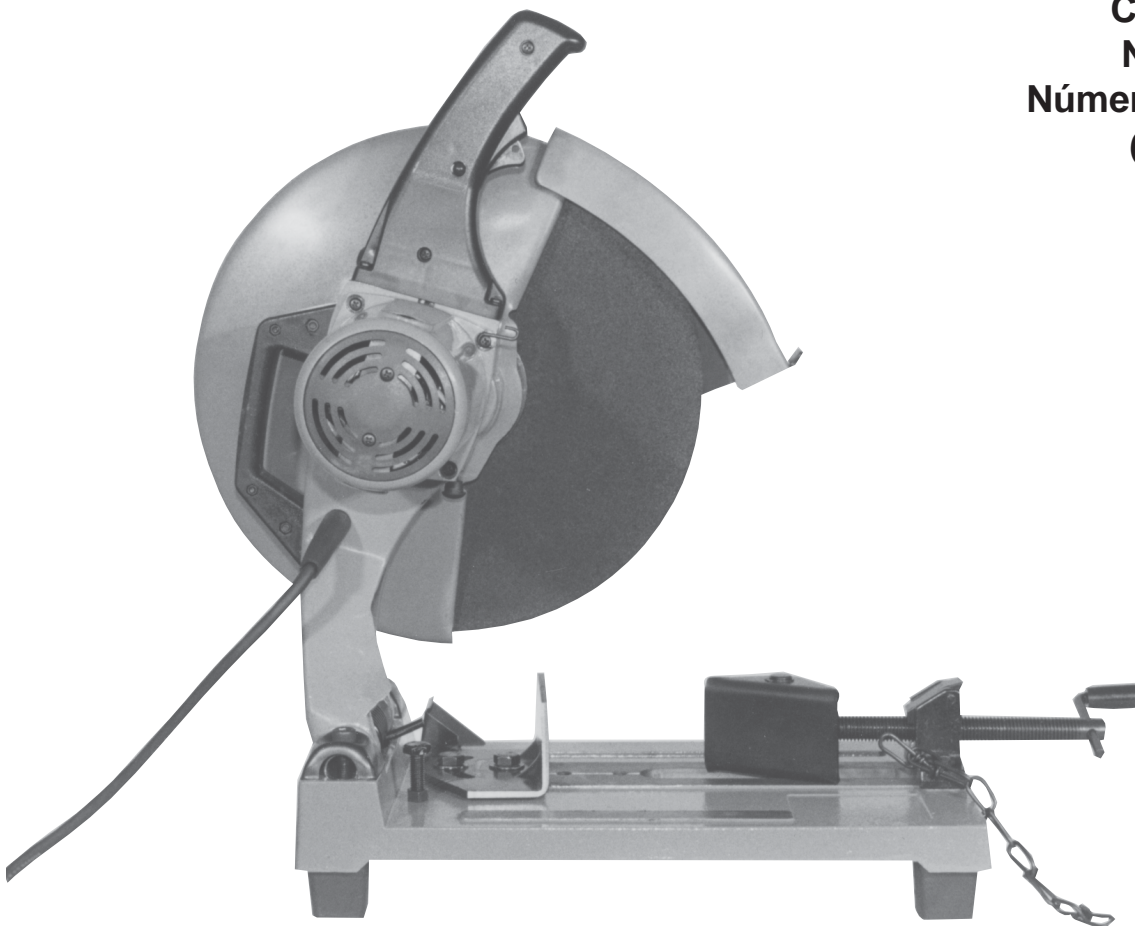




**OPERATOR'S MANUAL
MANUEL de L'UTILISATEUR
MANUAL del OPERADOR**

**Catalog No.
No de Cat.
Número de Catálogo
6176-20**



**HEAVY-DUTY 14" ABRASIVE CUT-OFF MACHINE
EXTRA ROBUSTE TRONÇONNEUSE 35,6 cm À DISQUE ABRASIF
SIERRA TRONZADORA ABRASIVA DE 35,6 cm, HEAVY DUTY**

TO REDUCE THE RISK OF INJURY, USER MUST READ AND UNDERSTAND OPERATOR'S MANUAL.

AFIN DE RÉDUIRE LE RISQUE DE BLESSURES, L'UTILISATEUR DOIT LIRE ET BIEN COMPRENDRE LE MANUEL DE L'UTILISATEUR.

PARA REDUCIR EL RIESGO DE LESIONES, EL USUARIO DEBE LEER Y ENTENDER EL MANUAL DEL OPERADOR.

GENERAL SAFETY RULES



WARNING!

READ AND UNDERSTAND ALL INSTRUCTIONS


Failure to follow all instructions listed below, may result in electric shock, fire and/or serious personal injury.

SAVE THESE INSTRUCTIONS

WORK AREA

1. **Keep work area clean and well lit.** Cluttered, dark work areas invite accidents.
2. **Avoid dangerous environments.** Do not use your power tool in rain, damp or wet locations or in the presence of explosive atmospheres (gaseous fumes, dust or flammable materials). Remove materials or debris that may be ignited by sparks.
3. **Keep bystanders away.** Children and bystanders should be kept at a safe distance from the work area to avoid distracting the operator and contacting the tool or extension cord.
4. **Protect others in the work area** from debris such as chips and sparks. Provide barriers or shields as needed.
5. **Make workshop child proof** with padlocks, master switches, or by removing starter keys.

ELECTRICAL SAFETY

6. **Grounded tools must be plugged into an outlet properly installed and grounded in accordance with all codes and ordinances.** Never remove the grounding prong or modify the plug in any way. Do not use any adaptor plugs. Check with a qualified electrician if you are in doubt as to whether the outlet is properly grounded. If the tool should electrically malfunction or break down, grounding provides a low resistance path to carry electricity away from the user.
7. **Double insulated tools are equipped with a polarized plug (one blade is wider than the other). This plug will fit in a polarized outlet only one way. If the plug does not fit fully in the outlet, reverse the plug. If it still does not fit, contact a qualified electrician to install a polarized outlet. Do not change the plug in any way.** Double insulation  eliminates the need for the three wire grounded power cord and grounded power supply system.
8. **Guard against electric shock.** Prevent body contact with grounded surfaces such as pipes, radiators, ranges and refrigerators. When making blind or plunge cuts, always check the work area for hidden wires or pipes. Hold your tool by insulated nonmetal grasping surfaces. Use a Ground Fault Circuit Interrupter (GFCI) to reduce shock hazards.
9. **Do not expose to rain or use in damp locations.**
10. **Do not abuse the cord. Never use the cord to carry the tools or pull the plug from an outlet. Keep cord away from heat, oil, sharp edges or moving parts. Replace damaged cords immediately.** Damaged cords increase the risk of electric shock.

PERSONAL SAFETY

11. **Know your power tool.** Read this manual carefully to learn your power tool's applications and limitations as well as potential hazards associated with this type of tool.
12. **Stay alert, watch what you are doing, and use common sense when operating a power tool. Do not use tool while tired or under the influence of drugs, alcohol, or medication.** A moment of inattention while operating power tools may result in serious personal injury.

13. **Dress properly.** Do not wear loose clothing or jewelry. Wear a protective hair covering to contain long hair. These may be caught in moving parts. When working outdoors, wear rubber gloves and insulated non-skid footwear. Keep hands and gloves away from moving parts.
14. **Reduce the risk of unintentional starting.** Be sure your tool is turned off before plugging it in. Do not use a tool if the power switch does not turn the tool on and off. Do not carry a plugged-in tool with your finger on the switch.
15. **Remove all adjusting keys and wrenches.** Make a habit of checking that adjusting keys, wrenches, etc. are removed from the tool before turning it on.
16. **Do not overreach. Maintain control.** Keep proper footing and balance at all times. Maintain a firm grip. Use extra care when using tool on ladders, roofs, scaffolds, etc.
17. **Use safety equipment.** Everyone in the work area should wear **safety goggles or glasses with side shields** complying with current safety standards. Everyday eyeglasses only have impact resistant lenses. They are not safety glasses. Wear hearing protection during extended use and a dust mask for dusty operations. Hard hats, face shields, safety shoes, etc. should be used when specified or necessary. Keep a fire extinguisher nearby.
18. **Keep guards in place** and in working order.
19. **Never stand on tool.** Serious injury could occur if the tool is tipped or if the cutting tool is unintentionally contacted.
20. **Keep hands away from all cutting edges and moving parts.**

TOOL USE AND CARE

21. **Secure work.** Use a clamp, vise or other practical means to hold your work securely, freeing both hands to control the tool.
22. **Do not force tool.** Your tool will perform best at the rate for which it was designed. Excessive force only causes operator fatigue, increased wear and reduced control.
23. **Use the right tool.** Do not use a tool or attachment to do a job for which it is not recommended. For example, do not use a circular saw to cut tree limbs or logs. Do not alter a tool.
24. **Unplug tool** when it is not in use, before changing accessories or performing recommended maintenance.
25. **Store idle tools.** When not in use, store your tool in a dry, secured place. Keep out of reach of children.
26. **Never leave the tool running unattended.** Turn power off. Do not leave the tool until it comes to a complete stop.
27. **Check for damaged parts.** Inspect guards and other parts before use. Check for misalignment, binding of moving parts, improper mounting, broken parts and any other conditions that may affect operation. If abnormal noise or vibration occurs, turn the tool off immediately and have the problem corrected before further use. Do not use a damaged tool. Tag damaged tools "DO NOT USE" until repaired. A guard or other damaged part should be properly repaired or replaced by a *MILWAUKEE* service facility. For all repairs, insist on only identical replacement parts.

28. **Use proper accessories.** Consult this manual for recommended accessories. Using improper accessories may be hazardous. Be sure accessories are properly installed and maintained. Do not defeat a guard or other safety device when installing an accessory or attachment.
29. **Maintain tools carefully.** Keep handles dry, clean and free from oil and grease. Keep cutting edges sharp and clean. Follow instructions for lubricating and changing accessories. Periodically inspect tool cords and extension cords for damage. Have damaged parts repaired or replaced by a *MILWAUKEE* service facility.
30. **Maintain labels & nameplates.** These carry important information. If unreadable or missing, contact a *MILWAUKEE* service facility for a free replacement.

SERVICE

31. **Tool service must be performed only by qualified repair personnel.** Service or maintenance performed by unqualified personnel may result in a risk of injury.
32. **When servicing a tool, use only identical replacement parts, follow instructions in the maintenance section of this manual.** Use of unauthorized parts or failure to follow maintenance instructions may create a risk of shock or injury.

SPECIAL SAFETY INSTRUCTIONS - ABRASIVE CUT-OFF MACHINES



WARNING!

To reduce the risk of injury, avoid inhalation of dust generated by grinding and cutting operations. Exposure to dust may cause respiratory ailments. Use approved NIOSH or OSHA respirators, safety glasses or face shields, gloves and protective clothing. Provide adequate ventilation to eliminate dust, or to maintain dust level below the Threshold Limit Value for nuisance dust as classified by OSHA.

WARNING! Some dust created by power sanding, sawing, grinding, drilling, and other construction activities contains chemicals known to cause cancer, birth defects or other reproductive harm. Some examples of these chemicals are:

- lead from lead-based paint
- crystalline silica from bricks and cement and other masonry products, and
- arsenic and chromium from chemically-treated lumber.

Your risk from these exposures varies, depending on how often you do this type of work. To reduce your exposure to these chemicals: work in a well ventilated area, and work with approved safety equipment, such as those dust masks that are specially designed to filter out microscopic particles.

Wheel Instructions







1. Use only the edge (not the sides) of the wheel for cutting. Do not allow the wheel to twist or bind.
2. Keep hands and body away from the rotating wheel. Do not wear loose clothing when using this tool.
3. Store cut-off wheels with care. Do not drop them or subject them to excessive heat, cold or humidity.
4. Make sure that all wheel flanges and other mounting hardware are in good condition and are always used properly. Defective or missing parts may cause damage to the wheel. Always use mounting flanges supplied with the tool.
5. Cutting with a damaged wheel is very hazardous. After installing a new wheel, leave the tool unplugged and rotate the wheel by hand to see if it is uneven, warped, or cracked. If so, discard the wheel and replace it with a new one. Do not use a wheel that has been dropped; impact may result in breakage.
6. Before starting a cut, step back from the tool and make a trial run to confirm that the wheel is in good condition. Trial run periods are:
When replacing a cut-off wheel — over 3 minutes.
When starting routine work — over 1 minute.
7. Never try to remove or clamp the workpiece to the tool while the cut-off wheel is rotating.
8. Before installing a cut-off wheel, always inspect it for cracks. Visually check resinoid and rubber-bonded wheels for cracks. Replace cracked wheel immediately.
9. Always check maximum operating speed established for wheel against machine speed. Do not exceed the maximum operating speed that is marked on the wheel.

10. Do not force a wheel onto the machine or alter the size of the arbor hole. Don't use a wheel that fits the arbor too loosely. If the wheel doesn't fit the machine, get one that does.
11. Do not attempt to install saw blades on this tool because it is not designed for this type of blade.
12. Do not overtighten wheel nut.

Machine Instructions

1. Start cutting only after the motor has reached full speed.
2. Release switch immediately if the cut-off wheel stops rotating or if the motor sounds like it is straining.
3. Keep flammable and fragile objects away from this tool. Do not allow cut-off sparks to contact the operator's hands, face or feet.
4. Place the tool securely on a flat, level surface.
5. Always use the tool with the proper voltage specified on the tool's nameplate.
6. Never touch a short cut-off piece until it cools.
7. Never attempt to cut material larger than the rated capacity listed in "Specifications".
8. Never stand in line with the wheel while cutting. Always stand to the side.
9. Always keep guards in place.
10. Always start the cut gently. Do not bump or bang a wheel to start a cut.
11. Never make any freehand cuts. Always place the workpiece between the vise and fence when making cuts.

Symbology

	Double Insulated
	Volts Alternating Current/ Direct Current
	Amps
	No Load Revolutions per Minute (RPM)
	Underwriters Laboratories, Inc.
	Canadian Standards Association

Cut-Off Machine Capacities

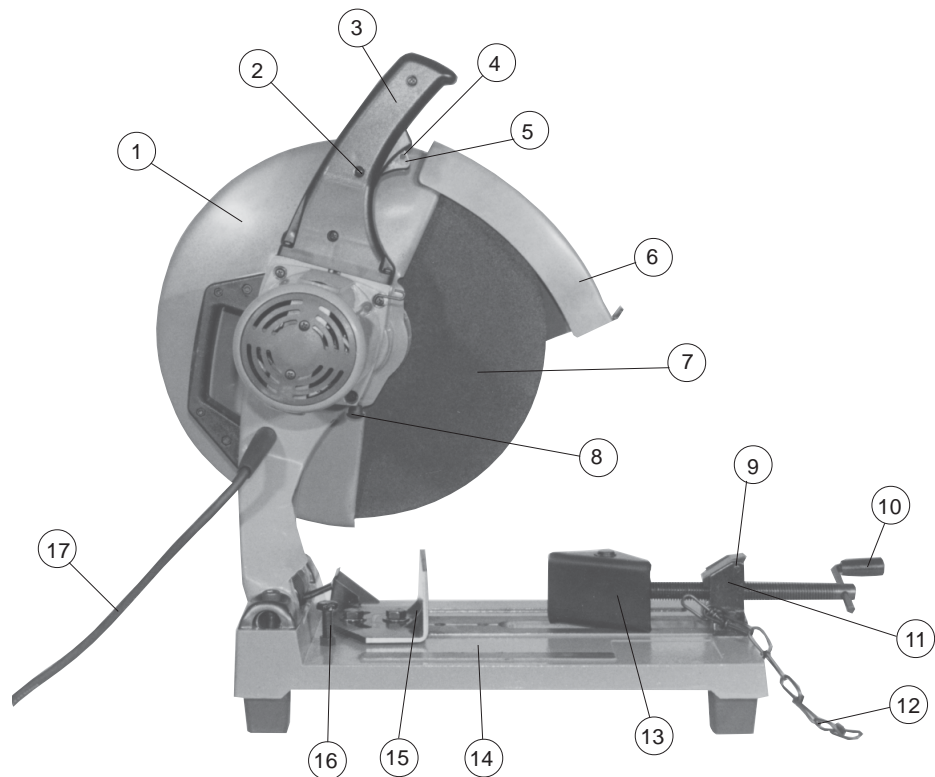
Cat. No.	Wheel Size	RPM	Volts AC/DC	Peak HP	Amps	O.D. Pipe	Rectangular Stock	Sq. Tubing	Arbor Hole Size
6176-20	14"	3900	120	3.2	15	5"	3-5/8" x 8" (Bundle of steel studs)	5" x 5"	1"

Cut-Off Wheel Capacities

Wheel Size	Max. No Load RPM	Wheel Thickness	Arbor Hole Size
14"	4365	3/32"	1"

FUNCTIONAL DESCRIPTION

1. Guard (stationary)
2. Lock-on button
3. Handle
4. Trigger hole (for locking tool off)
5. Trigger
6. Guard (moveable)
7. Abrasive cut-off wheel
8. Spindle lock (located on bottom of gearcase)
9. Quick release lever
10. Vise handle
11. Vise
12. Hold down chain
13. Vise plate
14. Table
15. Fence
16. Depth adjustment bolt
17. Cord



GROUNDING



WARNING!

Improperly connecting the grounding wire can result in the risk of electric shock. Check with a qualified electrician if you are in doubt as to whether the outlet is properly grounded. Do not modify the plug provided with the tool. Never remove the grounding prong from the plug. Do not use the tool if the cord or plug is damaged. If damaged, have it repaired by a **MILWAUKEE** service facility before use. If the plug will not fit the outlet, have a proper outlet installed by a qualified electrician.

Grounded Tools:

Tools with Three Prong Plugs

Tools marked "Grounding Required" have a three wire cord and three prong grounding plug. The plug must be connected to a properly grounded outlet (See Figure A). If the tool should electrically malfunction or break down, grounding provides a low resistance path to carry electricity away from the user, reducing the risk of electric shock.

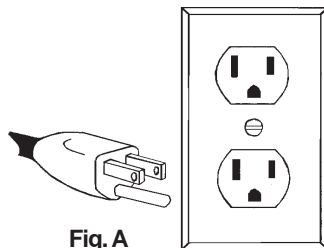


Fig. A

The grounding prong in the plug is connected through the green wire inside the cord to the grounding system in the tool. The green wire in the cord must be the only wire connected to the tool's grounding system and must never be attached to an electrically "live" terminal.

Your tool must be plugged into an appropriate outlet, properly installed and grounded in accordance with all codes and ordinances. The plug and outlet should look like those in Figure A.

Double Insulated Tools:

Tools with Two Prong Plugs

Tools marked "Double Insulated" do not require grounding. They have a special double insulation system which satisfies OSHA requirements and complies with the applicable standards of Underwriters Laboratories, Inc., the Canadian Standard Association and the National Electrical Code. Double Insulated tools may be used in either of the 120 volt outlets shown in Figures B and C.

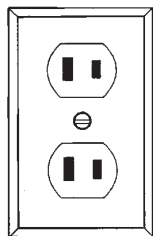


Fig. B

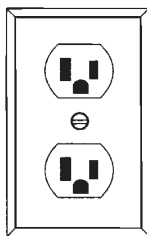


Fig. C

EXTENSION CORDS

Grounded tools require a three wire extension cord. Double insulated tools can use either a two or three wire extension cord. As the distance from the supply outlet increases, you must use a heavier gauge extension cord. Using extension cords with inadequately sized wire causes a serious drop in voltage, resulting in loss of power and possible tool damage. Refer to the table shown to determine the required minimum wire size.

The smaller the gauge number of the wire, the greater the capacity of the cord. For example, a 14 gauge cord can carry a higher current than a 16 gauge cord. When using more than one extension cord to make up the total length, be sure each cord contains at least the minimum wire size required. If you are using one extension cord for more than one tool, add the nameplate amperes and use the sum to determine the required minimum wire size.

Guidelines for Using Extension Cords

- If you are using an extension cord outdoors, be sure it is marked with the suffix "W-A" ("W" in Canada) to indicate that it is acceptable for outdoor use.
- Be sure your extension cord is properly wired and in good electrical condition. Always replace a damaged extension cord or have it repaired by a qualified person before using it.
- Protect your extension cords from sharp objects, excessive heat and damp or wet areas.

Recommended Minimum Wire Gauge for Extension Cords*

Nameplate Amperes	Extension Cord Length					
	25'	50'	75'	100'	150'	200'
0 - 5	16	16	16	14	12	12
5.1 - 8	16	16	14	12	10	--
8.1 - 12	14	14	12	10	--	--
12.1 - 15	12	12	10	10	--	--
15.1 - 20	10	10	10	--	--	--

* Based on limiting the line voltage drop to five volts at 150% of the rated amperes.

READ AND SAVE ALL INSTRUCTIONS FOR FUTURE USE.

OPERATION



WARNING!

To reduce the risk of injury, always unplug tool before attaching or removing accessories. Use only specifically recommended accessories. Others may be hazardous.

Using the Hold-Down Chain

This tool is equipped with a hold-down chain which locks the handle down for transporting and storing the tool. To release the hold down chain, pull the handle down and lift the chain off the hook. To lock the chain, pull the handle down and loop the chain onto the hook.

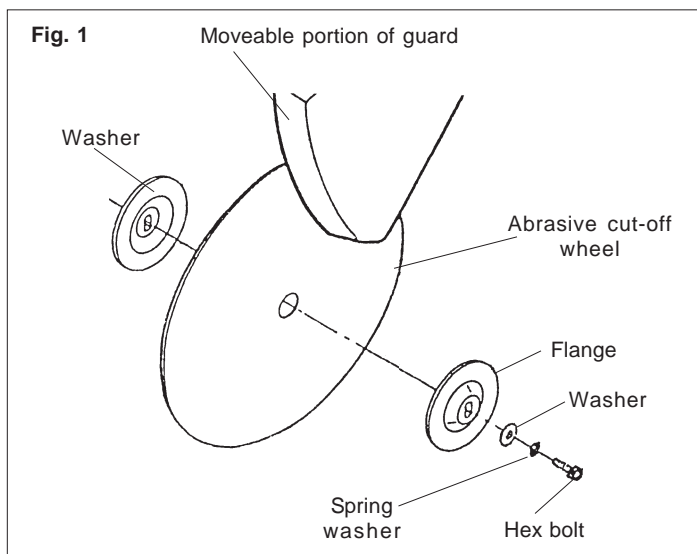


WARNING!

To reduce the risk of injury, use only the proper wheel made for this machine. DO NOT USE ANY TYPE OF SAW BLADE.

Removing and Installing Cut-Off Wheels (Fig. 1)

The cut-off machine is supplied with the abrasive cut-off wheel installed. MILWAUKEE recommends using only MILWAUKEE 14" Abrasive Cut-Off Wheels, 3/32" wide with this tool. Before operating the tool, make sure the wheel is in good condition as described in the "Specific Safety Instructions for Abrasive Cut-Off Machines".



To change wheels, follow the procedure below.

1. Release the hold down chain, pull the handle down and lift the chain off of the hook.
2. Pull the moveable portion of the guard back to expose the wheel arbor hex bolt.
Press in the spindle lock button and use the open end wrench provided to loosen the hex bolt (counterclockwise).
3. Remove the hex bolt, spring washer, washer, outer flange and cut-off wheel (if installed).
4. Check the two (2) wheel flanges to be sure they are in good condition. Remove any nicks or burrs, which could cause uneven cutting pressure and result in wheel damage.
5. Install the inner flange, wheel, outer flange, washer, spring washer and hex bolt as shown (Fig. 1).

6. Press in the spindle lock button while using the open end wrench provided to tighten the hex bolt (clockwise).

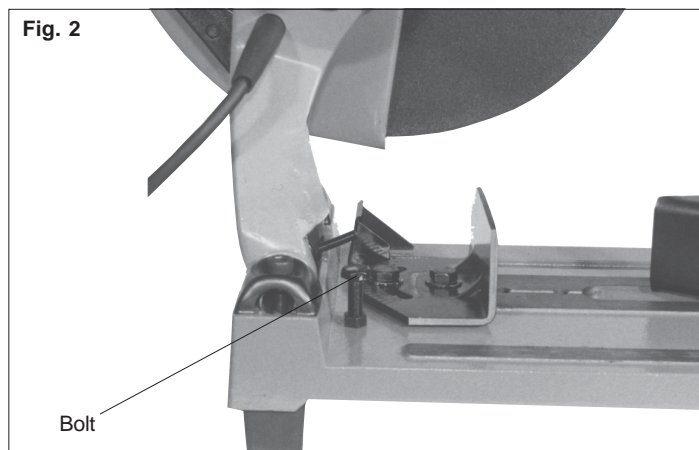
NOTE: Tighten the bolt firmly enough to flatten the spring washer, but do not use excessive pressure. Overtightening the bolt may damage the wheel and flanges.

7. Allow the moveable portion of the guard to return to its original position.
8. Before starting a cut, step back from the tool and make a trial run to confirm that the wheel is in good condition. When replacing a cut-off wheel, run the tool for over 3 minutes. When starting routine work, run the tool for over 1 minute.

Adjusting the Depth of Cut (Fig. 2)

The depth adjustment bolt can be adjusted to change the depth of cut. When adjusted properly, the depth adjustment bolt prevents the cut-off wheel from contacting the surface under the base during cutting. Cut-off wheels wear down as they are used and the depth of cut may need to be increased.

Fig. 2

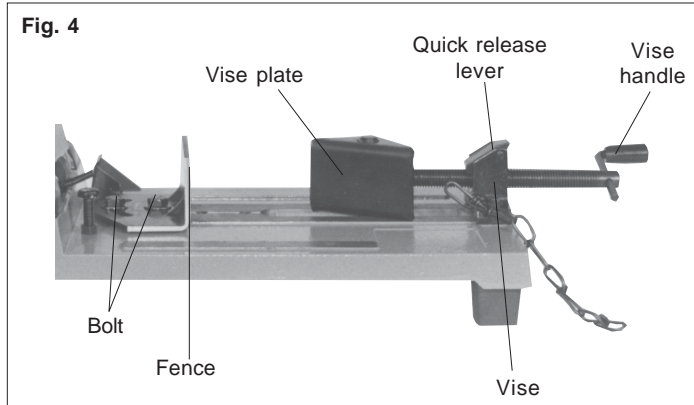
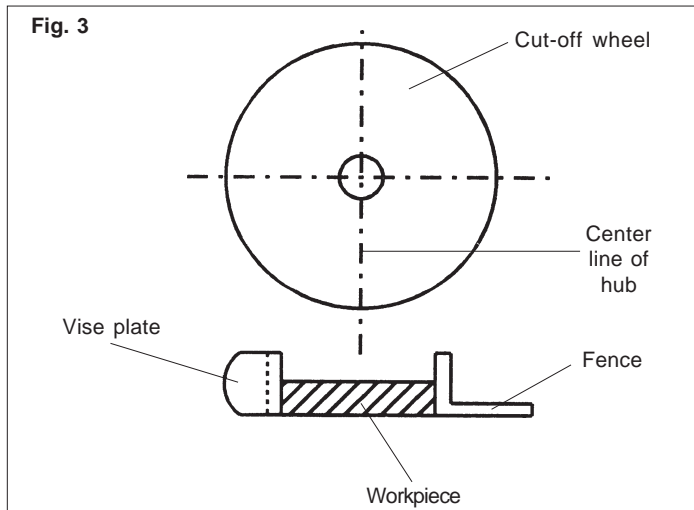


1. To adjust the depth of cut, use the open end wrench provided to lower or raise the depth adjustment bolt.
2. Loosen the hex nut.
3. Adjust the depth adjustment bolt to the desired height.
4. When desired depth of the cut is achieved, tighten the hex nut.

Supporting the Workpiece and Adjusting the Cut-Off Angle (Fig. 3 & 4)

Always use the vise and fence to hold the workpiece in place on the cut-off machine table. The vise plate moves forward and backward and adjusts to any angle. The fence also moves backward and forward and adjusts to any angle between 0° and 45° to the left or right.

When making cuts, the center line of the hub should contact approximately the midpoint of the workpiece and it should be approximately midway between the fence and vise as shown (Fig. 3).



1. To adjust the fence, use the open end wrench provided to loosen (counterclockwise) the two bolts that hold the fence firmly in place (Fig. 4).
Adjust the position and angle of the fence as desired.
Use the open end wrench provided to securely tighten (clockwise) the two bolts that hold the fence in place.
2. To adjust the vise, pull the quick release lever back to disengage it from the threads (Fig. 4).
Adjust the vise plate/vise handle depending on the workpiece size.
Push the quick release lever forward to engage the threads and lock the vise. To completely lock the assembly, turn the vise handle clockwise.

Selecting a Workpiece

The *MILWAUKEE* Abrasive Cut-Off Machine is designed to cut steel and concrete. It is not recommended for cutting wood. Do not attempt to install a saw blade on the tool.

Starting and Stopping the Tool

The tool operates at no load speed of 3900 RPM.

1. Plug in the tool.
2. To start the tool, pull trigger.
3. To stop the tool, release the trigger.

Locking Trigger Switch

The lock-on button, located next to the trigger switch, holds the trigger in the "ON" position for continuous full speed use.

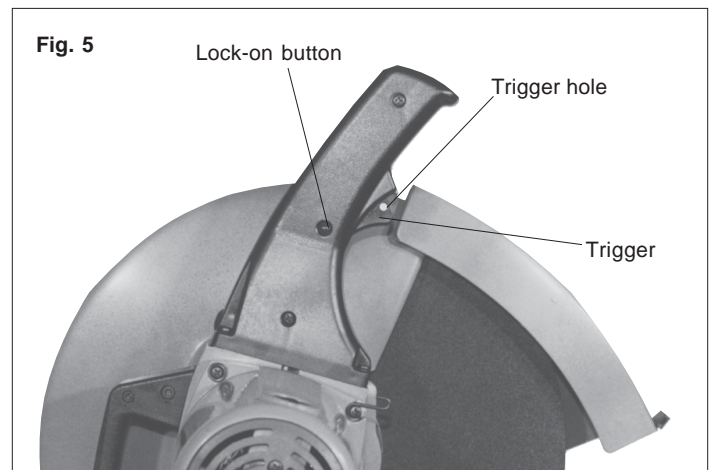
1. To lock the trigger switch, push the lock-on button down while pulling the trigger. Release the trigger.
2. To unlock the trigger switch, pull the trigger and release.

Making a Cut

1. Unplug the tool.
2. Select a cutting angle and position the fence and vise assembly as needed. Follow the steps in "Supporting the Workpiece and Adjusting the Cut-Off Angle".
3. Place the workpiece flat on top of the cut-off machine table. Turn the vise handle clockwise until the vise assembly holds the workpiece firmly in place.
4. Plug the tool in and pull the trigger. Allow the motor to reach full speed. Slowly lower the wheel into the workpiece.
NOTE: Always start the cut gently; do not bang or bump a wheel when starting the cut. For the safest and most efficient cutting, make sure that the cut-off wheel contacts the center of the workpiece.
5. When the cut is complete, raise the wheel completely from the workpiece before releasing the trigger and allowing the motor to stop.

Trigger Hole Lock-Off Feature (Fig. 5)

The trigger hole allows the user to insert a padlock. This prevents the tool from being started unintentionally.



MAINTENANCE



WARNING!

To reduce the risk of injury, always unplug your tool before performing any maintenance. Never disassemble the tool or try to do any rewiring on the tool's electrical system. Contact a **MILWAUKEE** service facility for ALL repairs.

Maintaining Tools

Keep your tool in good repair by adopting a regular maintenance program. Before use, examine the general condition of your tool. Inspect guards, switches, tool cord set and extension cord for damage. Check for loose screws, misalignment, binding of moving parts, improper mounting, broken parts and any other condition that may affect its safe operation. If abnormal noise or vibration occurs, turn the tool off immediately and have the problem corrected before further use. Do not use a damaged tool. Tag damaged tools "DO NOT USE" until repaired (see "Repairs").

Under normal conditions, relubrication is not necessary until the motor brushes need to be replaced. After six months to one year, depending on use, return your tool to the nearest **MILWAUKEE** service facility for the following:

- Lubrication
- Brush inspection and replacement
- Mechanical inspection and cleaning (gears, spindles, bearings, housing, etc.)
- Electrical inspection (switch, cord, armature, etc.)
- Testing to assure proper mechanical and electrical operation

ACCESSORIES



WARNING!

To reduce the risk of injury, always unplug the tool before attaching or removing accessories. Use only specifically recommended accessories. Others may be hazardous.

For a complete listing of accessories refer to your **MILWAUKEE** Electric Tool catalog. To obtain a catalog, contact your local distributor or a service center listed on the back cover of this operator's manual.

14" Abrasive Cut-Off Wheel

Same as supplied with the tool.

Open End Wrench

Same as supplied with the tool. Use the wrench to install and remove abrasive cut-off wheels and to adjust the fence and depth adjustment bolt.



WARNING!

To reduce the risk of injury, electric shock and damage to the tool, never immerse your tool in liquid or allow a liquid to flow inside the tool.

Cleaning

Clean dust and debris from vents. Keep the tool handles clean, dry and free of oil or grease. Use only mild soap and a damp cloth to clean your tool since certain cleaning agents and solvents are harmful to plastics and other insulated parts. Some of these include: gasoline, turpentine, lacquer thinner, paint thinner, chlorinated cleaning solvents, ammonia and household detergents containing ammonia. Never use flammable or combustible solvents around tools.

Repairs

If your tool is damaged, return the entire tool to the nearest service center listed on the back cover of this operator's manual.

WARRANTY

Every **MILWAUKEE** tool is thoroughly inspected and tested before leaving our manufacturing facilities. Should any trouble develop, return the complete tool prepaid to our Corporate Office, Branch Office/Service Center or nearest Authorized **MILWAUKEE** Service Station. If inspection shows the trouble is caused by defective workmanship or material, all repairs will be made without charge, and the tool will be returned, transportation prepaid. Battery packs for cordless tools are warranted for one year from the date of purchase.

This warranty does not apply where: (1) repairs or attempted repairs have been made by persons other than **MILWAUKEE** personnel or Authorized Service Station personnel; (2) repairs are required because of normal wear; (3) the tool has been abused or involved in an accident; (4) misuse is evident, such as caused by overloading the tool beyond its rated capacity; (5) the tool has been used after partial failure or (6) the tool has been used with an improper accessory. No other warranty, written or verbal, is authorized.

RÈGLES DE SÉCURITÉ GÉNÉRALES



AVERTISSEMENT!

VOUS DEVEZ LIRE ET COMPRENDRE TOUTES LES INSTRUCTIONS


Le non-respect, même partiel, des instructions ci-après entraîne un risque de choc électrique, d'incendie et/ou de blessures graves.

CONSERVEZ CES INSTRUCTIONS

AIRE DE TRAVAIL

1. **Conservez votre lieu de travail propre et bien éclairé.** Les endroits sombres et encombrés sont propices aux accidents.
2. **Évitez les milieux dangereux.** Ne vous servez pas de votre outil électrique sous la pluie ou dans les endroits mouillés ou humides, les atmosphères propices aux explosions (émanations de gaz, poussière ou substances inflammables). Faites disparaître les matériaux qui risquent d'être enflammés par les étincelles.
3. **Éloignez les spectateurs.** Les enfants et les spectateurs devraient être tenus à distance du lieu de travail, afin de ne pas déranger l'utilisateur et être à l'abri de tout contact avec l'outil et le cordon de rallonge.
4. **Protégez ceux qui se trouvent sur les lieux** des éclats et des étincelles. Installez des barrières ou des écrans protecteurs si nécessaire.
5. **Faites de votre atelier un lieu sécuritaire pour les enfants** on installant des cadenas, un interrupteur principal et en retirant les clés de démarrage.

SÉCURITÉ ÉLECTRIQUE

6. **Les outils mis à la terre doivent être branchés dans une prise de courant correctement installée et mise à la terre conformément à tous les codes et règlements pertinents. Ne modifiez jamais la fiche de quelque façon que ce soit, par exemple en enlevant la broche de mise à la terre. N'utilisez pas d'adaptateur de fiche. Si vous n'êtes pas certain que la prise de courant est correctement mise à la terre, adressez-vous à un électricien qualifié.** En cas de défaillance ou de défectuosité électrique de l'outil, une mise à la terre offre un trajet de faible résistance à l'électricité qui autrement risquerait de traverser l'utilisateur.
7. **Les outils à double isolation sont équipés d'une fiche polarisée (une des lames est plus large que l'autre), qui ne peut se brancher que d'une seule façon dans une prise polarisée. Si la fiche n'entre pas parfaitement dans la prise, inversez sa position ; si elle n'entre toujours pas bien, demandez à un électricien qualifié d'installer une prise de courant polarisée. Ne modifiez pas la fiche de l'outil.** La double isolation  élimine le besoin d'un cordon d'alimentation à trois fils avec mise à la terre ainsi que d'une prise de courant mise à la terre.
8. **Protégez-vous des chocs électriques.** Évitez tout contact avec les surfaces mises à la terre tels les radiateurs, cuisinières et réfrigérateurs. Lorsque vous enfoncez l'outil à l'aveuglette au travers d'un matériau assurez-vous d'abord qu'il n'y pas de câbles électriques ou de tuyaux. Tenez l'outil par ses parties isolées non métalliques. Employez un coupe-circuit relié à la masse (GFCI) pour réduire les risques de choc.
9. **N'exposez pas l'outil aux intempéries et ne vous en servez pas dans les endroits humides.**
10. **Ne maltraitez pas le cordon. Ne transportez pas l'outil par son cordon et ne débranchez pas la fiche en tirant sur le cordon. N'exposez pas le cordon à la chaleur, à des huiles, à des arêtes vives ou à des pièces en mouvement. remplacez immédiatement un cordon endommagé.** Un cordon endommagé augmente le risque de choc électrique.

SÉCURITÉ DES PERSONNES

11. **Familiarisez-vous avec votre outil électrique.** Lisez attentivement ce manuel pour apprendre les applications, limitations et risques inhérent au maniement de ce genre d'outil.
12. **Restez alerte, concentrez-vous sur votre travail et faites preuve de jugement. N'utilisez pas un outil électrique si vous êtes fatigué ou sous l'influence de drogues, d'alcool ou de médicaments.** Un instant d'inattention suffit pour entraîner des blessures graves.
13. **Habillez-vous correctement.** Ne portez ni vêtements amples ni bijoux. Portez un casque protecteur pour contenir les longs cheveux et les empêcher de se prendre dans les pièces en mouvement. Si vous travaillez à l'extérieur, portez des gants de caoutchouc et des chaussures à semelles antidérapantes. Tenez vos mains ou vos gants à l'écart des pièces en mouvement.
14. **Réduisez les risques de démarrage accidentel.** Assurez-vous que votre outil est à la position d'arrêt « OFF » avant de le brancher. N'utilisez pas un outil dont l'interrupteur ne fonctionne pas normalement. Ne transportez pas un outil branché en gardant les doigts sur la détente.
15. **Retirez les clés de réglage.** Prenez l'habitude de vérifier si les clés de réglage et autres outils sont retirés de l'outil avant de le mettre en marche.
16. **Ne dépassez pas les limites, contrôlez l'outil.** Gardez les pieds bien en place et assurez votre équilibre. Tenez l'outil fermement. Soyez très prudent si vous utilisez l'outil dans une échelle, sur un toit, un échafaud, etc.
17. **Employez de l'équipement de sécurité.** Toutes les personnes présentes dans l'aire de travail devraient **porter des lunettes de protection ou à coques latérales** conformes aux normes de sécurité en vigueur. Les lunettes ordinaires peuvent être pourvues de verres résistants, mais elles ne sont pas sécuritaires. Portez des protecteurs d'oreilles pour les tâches prolongées et un masque facial contre la poussière. Un casque rigide, un masque facial, des chaussures de sécurité, etc. devraient être utilisés lorsque la situation l'exige. Gardez un extincteur d'incendie à portée de la main.
18. **Maintenez les gardes en place** et en bon état.
19. **Ne vous appuyez jamais sur l'outil.** De graves blessures pourraient résulter du renversement de l'outil ou de son démarrage accidentel.
20. **Tenez les mains à l'écart des arêtes tranchantes et des pièces en mouvement.**

UTILISATION ET ENTRETIEN DES OUTILS

21. **Assujettissez l'ouvrage.** Employez une fixation, pince-étau ou autre dispositif approprié pour maintenir solidement l'ouvrage et libérer vos deux mains pour le maniement de l'outil.
22. **Ne forcez pas l'outil.** Votre outil fournira un meilleur rendement si vous l'employez comme il doit l'être. Un usage excessif, en plus de fatiguer l'utilisateur, augmentera l'usure de l'outil et rendra son maniement plus difficile.
23. **Employez l'outil approprié.** N'utilisez pas un outil ou un accessoire non approprié à la tâche. Par exemple, on ne doit pas employer une scie circulaire pour tailler un arbre ou scier des bûches. N'altérez pas l'outil.
24. **Débranchez l'outil** lorsque vous ne vous en servez pas ou avant d'en changer les accessoires ou d'en effectuer l'entretien.

25. **Rangez les outils que vous n'utilisez pas** au sec dans un endroit sûr, hors de la portée des enfants.
26. **Ne laissez jamais l'outil en marche sans surveillance.** Avant de vous en éloigner, coupez le courant et attendez qu'il soit complètement arrêté.
27. **Décele les pièces défectueuses.** Avant de vous servir de l'outil, inspectez les gardes et les autres pièces. Vérifiez l'alignement et le jeu des pièces mobiles, les vices de montage, bris de pièces et toute autre condition pouvant nuire au bon fonctionnement de l'outil. Si un bruit ou une vibration insolite survient, arrêtez immédiatement l'outil et faites-le vérifier avant de vous en servir de nouveau. N'utilisez pas un outil défectueux. Fixez-y une étiquette marquée « HORS D'USAGE » jusqu'à ce qu'il soit réparé. Si une garde ou une autre pièce est défectueuse, elle devrait être réparée ou remplacée dans un centre de service *MILWAUKEE* accrédité. Insistez pour obtenir des pièces de rechange identiques.
28. **Employez les accessoires appropriés.** Consultez ce manuel pour connaître quels accessoires utiliser. L'emploi d'accessoires autres que ceux qui sont recommandés peut comporter des risques. Assurez-vous que les accessoires sont correctement installés et entretenus. Ne dérangez pas un garde ou autre dispositif de sécurité lorsque vous installez un accessoire.
29. **Prenez soin de l'outil.** Gardez les poignées propres, sèches et exemptes d'huile ou de graisse. Maintenez les tranchants propres et vifs. Suivez les instructions de graissage et d'installation des accessoires. Inspectez périodiquement le cordon de l'outil et le cordon de rallonge. Faites réparer ou remplacer les pièces défectueuses à un centre de service *MILWAUKEE* accrédité.
30. **Entretenez les étiquettes et marques du fabricant.** Les indications qu'elles contiennent sont précieuses. Si elles deviennent illisibles ou si elles se détachent, faites-les remplacer gratuitement à un centre de service *MILWAUKEE* accrédité.
31. **La réparation des outils électriques doit être confiée à un réparateur qualifié.** L'entretien ou la réparation d'un outil électrique par un amateur peut avoir des conséquences graves.
32. **Pour la réparation d'un outil, n'employez que des pièces de rechange d'origine. Suivez les directives données à la section « réparation » de ce manuel.** L'emploi de pièces non autorisées ou le non-respect des instructions d'entretien peut créer un risque de choc électrique ou de blessures.

RÉPARATION

MESURES DE SÉCURITÉ SPÉCIALES - LES TRONÇONNEUSES



AVERTISSEMENT!

Pour minimiser les risques de blessures, évitez d'inhaler la poussière dégagée par le disque abrasif. L'exposition à la poussière peut causer des malaises respiratoires. Utilisez un masque respiratoire approuvé par NIOSH ou OSHA, des lunettes de protection ou un masque facial, des gants et vêtements protecteurs. Assurez une ventilation adéquate pour évacuer la poussière ou en contenir le niveau sous le seuil admissible d'exposition (SAE) selon la classification OSHA.

AVERTISSEMENT! La poussière dégagée par perçage, sciage et autres travaux de construction contient des substances chimiques reconnues comme pouvant causer le cancer, des malformations congénitales ou d'autres troubles de reproduction. Voici quelques exemples de telles substances :

- Le plomb contenu dans la peinture au plomb.
- Le silice cristallin contenu dans la brique, le béton et divers produits de maçonnerie.
- L'arsenic et le chrome servant au traitement chimique du bois.

Les risques associés à l'exposition à ces substances varient, dépendant de la fréquence des travaux. Afin de minimiser l'exposition à ces substances chimiques, assurez-vous de travailler dans un endroit bien aéré et d'utiliser de l'équipement de sécurité tel un masque antipoussière spécifiquement conçu pour la filtration de particules microscopiques.

Instructions relatives aux disques






1. Faites la coupe avec le tranchant et non le flanc du disque abrasif. Évitez le gauchissement et le coincement du disque.
2. Tenez les mains et le corps à l'écart du disque en mouvement. Ne portez pas de vêtements amples lorsque vous vous servez de cet outil.
3. Rangez les disques à tronçonner avec soin. Évitez de les laisser tomber et gardez-les à l'abri de la grande chaleur, du froid ou de l'humidité.
4. Assurez-vous que les brides de disques et les autres pièces de montage sont en bonne condition et correctement montés. Une pièce manquante ou une pièce en mauvais état peuvent endommager le disque à tronçonner. Utilisez toujours les brides de montages qui accompagnent l'outil.
5. Couper à l'aide d'un disque en mauvais état est très dangereux. Après avoir installé un nouveau disque, laissez l'outil débranché et faites tourner le disque pour déceler tout gauchissement, craquellement ou autre imperfection. Si le disque est en mauvais état, remplacez-le par un disque neuf. N'employez pas un disque qui a subi un choc car il pourrait être fragile et se briser durant la coupe.
6. Avant de commencer une coupe, écartez-vous de l'outil et laissez tourner le disque pour vérifier s'il est en bonne condition. La durée de la marche d'essai doit être :
 Au moins 3 minutes lors du remplacement d'un disque à tronçonner.
 Au moins 1 minute avant de commencer un travail routinier.
7. N'essayez jamais d'enlever un matériau de l'outil ni de l'y fixer tandis que le disque est en mouvement.
8. Avant d'installer un disque sur l'outil, inspectez-le pour y déceler les craquellements. Examinez les disques à composition de plastique ou de caoutchouc pour en déceler les fissures. Avant d'installer un disque sur l'outil, inspectez-le pour y déceler les craquellements. Examinez les disques à composition de plastique ou de caoutchouc pour en déceler les fissures. Remplacez immédiatement tout disque fissuré.
9. Comparez la vitesse de rotation maximale pour laquelle le disque est calibré avec la rotation maximale indiquée sur la fiche de l'outil et n'utilisez pas un disque de calibre inférieur.
10. Ne forcez pas le disque sur le pivot de l'outil et n'en altérez pas le trou d'arbre. N'employez pas un disque dont le trou d'arbre est trop grand. Si un disque ne s'adapte pas parfaitement à l'outil, changez-le pour un qui s'adapte.
11. N'essayez pas d'installer une lame de scie sur cet outil car il n'est pas conçu pour couper du bois.
12. Ne serrez pas l'écrou de disque trop à fond.

Instructions relatives à l'outil

1. Commencez la coupe seulement après que le moteur a atteint son plein régime.
2. Relâchez immédiatement la commande si le disque à tronçonner s'arrête ou si le moteur semble surchargé.
3. Gardez les produits inflammables et les objets fragiles à l'écart de l'outil. Ne laissez pas les étincelles venir en contact avec les mains, la figure et les pieds.

4. Installez l'outil solidement sur une surface plane et de niveau.
5. Branchez l'outil sur une prise dont le voltage est conforme à celui qui est indiqué sur sa fiche signalétique.
6. Ne touchez pas aux tronçons tant qu'ils ne sont pas refroidis.
7. N'essayez jamais de couper un matériau d'une jauge supérieure à la capacité décrite à la section « Spécifications ».
8. Ne vous postez pas dans le sillage du disque, postez-vous sur le côté.
9. Laissez toujours les gardes en place.
10. Commencez la coupe délicatement. Ne heurtez pas le matériau avec le disque en commençant une coupe.
11. Ne faites pas de coupes en tenant le matériau seulement avec les mains, fixez toujours le matériau à couper entre le réglet et l'étau.

Pictographie

	Double Isolation
	Courant alternatif ou direct
	Ampères
n° xxxx/min.	Tours-minute à vide (RPM)
	Underwriters Laboratories Inc.
	l'Association canadienne de normalisation (ACNOR)

Capacité du Disque à Tronçonner

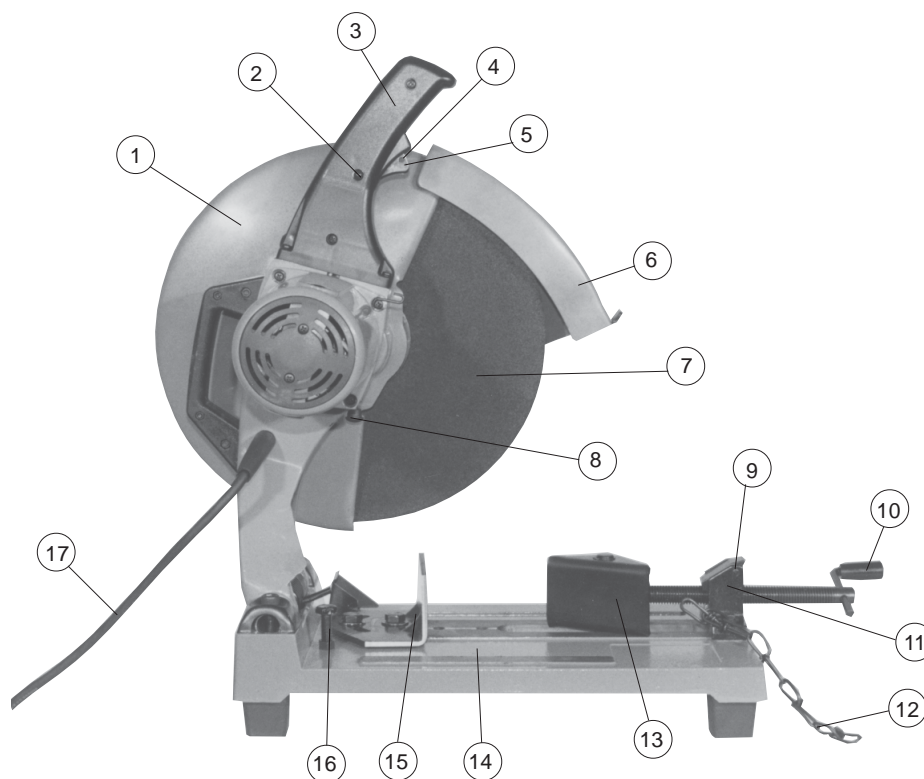
Dim. du disque	T/Min. max. à vide	Épaisseur du disque	Dim. trou d'arbre
35,6 cm 14"	4365	2,4 mm 3/32"	25,4 mm 1"

Capacité de la tronçonneuse

No de Cat.	Dim. du disque	T/Min.	Volts CA/CD	HP max.	Ampères	Diam. ext. tuyau	Matériau rectangulaire	Tubulure carrée	Dim. trou d'arbre
6176-20	35,6 cm 14"	3 900	120	3,2	15	127 mm 5"	92,1 mm x 203 mm 3-5/8" x 8" (Paquet de montants d'acier)	127 mm x 127 mm 5" x 5"	25,4 mm 1"

DESCRIPTION FONCTIONNELLE

1. Garde (stationnaire)
2. Bouton de verrouillage
3. Poignée
4. Trou de détente (pour verrouiller l'outil)
5. Détente
6. Garde (mobile)
7. Disque à tronçonner abrasif
8. Verrou de pivot (sous la boîte d'engrenages)
9. Levier déclencheur
10. Poignée d'étau
11. Étau
12. Chaîne de retenue
13. Mordache de l'étau
14. Table
15. Réglet
16. Boulon de réglage de profondeur
17. Cordon



MISE À LA TERRE



Si le fil de mise à la terre est incorrectement raccordé, il peut en résulter des risques de choc électrique. Si vous n'êtes pas certain que la prise dont vous vous servez est correctement mise à la terre, faites-la vérifier par un électricien. N'altérez pas la fiche du cordon de l'outil. N'enlevez pas de la fiche, la dent qui sert à la mise à la terre. N'employez pas l'outil si le cordon ou la fiche sont en mauvais état. Si tel est le cas, faites-les réparer dans un centre-service MILWAUKEE accrédité avant de vous en servir. Si la fiche du cordon ne s'adapte pas à la prise, faites remplacer la prise par un électricien.

Outils mis à la terre :

Outils pourvus d'une fiche de cordon à trois dents

Les outils marqués « Mise à la terre requise » sont pourvus d'un cordon à trois fils dont la fiche a trois dents. La fiche du cordon doit être branchée sur une prise correctement mise à la terre (voir Figure A). De cette façon, si une défectuosité dans le circuit électrique de l'outil survient, le relais à la terre fournira un conducteur à faible résistance pour décharger le courant et protéger l'utilisateur contre les risques de choc électrique.

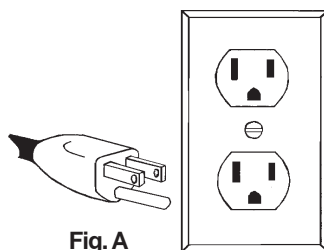


Fig. A

La dent de mise à la terre de la fiche est reliée au système de mise à la terre de l'outil via le fil vert du cordon. Le fil vert du cordon doit être le seul fil raccordé à un bout au système de mise à la terre de l'outil et son autre extrémité ne doit jamais être raccordée à une borne sous tension électrique.

Votre outil doit être branché sur une prise appropriée, correctement installée et mise à la terre conformément aux codes et ordonnances en vigueur. La fiche du cordon et la prise de courant doivent être semblables à celles de la Figure A.

Outils à double isolation :

Outils pourvus d'une fiche de cordon à deux dents

Les outils marqués « Double Isolation » n'ont pas besoin d'être raccordés à la terre. Ils sont pourvus d'une double isolation conforme aux exigences de l'OSHA et satisfont aux normes de l'Underwriters Laboratories, Inc., de l'Association canadienne de normalisation (ACNOR) et du « National Electrical Code » (code national de l'électricité). Les outils à double isolation peuvent être branchés sur n'importe laquelle des prises à 120 volt illustrées ci-contre Figure B et C.

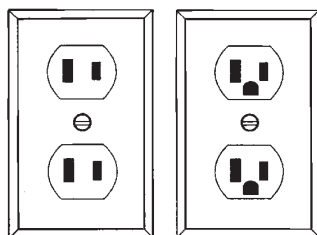


Fig. B

Fig. C

CORDONS DE RALLONGE

Si l'emploi d'un cordon de rallonge est nécessaire, un cordon à trois fils doit être employé pour les outils mis à la terre. Pour les outils à double isolation, on peut employer indifféremment un cordon de rallonge à deux ou trois fils. Plus la longueur du cordon entre l'outil et la prise de courant est grande, plus le calibre du cordon doit être élevé. L'utilisation d'un cordon de rallonge incorrectement calibré entraîne une chute de voltage résultant en une perte de puissance qui risque de détériorer l'outil. Reportez-vous au tableau ci-contre pour déterminer le calibre minimum du cordon.

Moins le calibre du fil est élevé, plus sa conductivité est bonne. Par exemple, un cordon de calibre 14 a une meilleure conductivité qu'un cordon de calibre 16. Lorsque vous utilisez plus d'une rallonge pour couvrir la distance, assurez-vous que chaque cordon possède le calibre minimum requis. Si vous utilisez un seul cordon pour brancher plusieurs outils, additionnez le chiffre d'intensité (ampères) inscrit sur la fiche signalétique de chaque outil pour obtenir le calibre minimal requis pour le cordon.

Directives pour l'emploi des cordons de rallonge

- Si vous utilisez une rallonge à l'extérieur, assurez-vous qu'elle est marquée des sigles « W-A » (« W » au Canada) indiquant qu'elle est adéquate pour usage extérieur.
- Assurez-vous que le cordon de rallonge est correctement câblé et en bonne condition. Remplacez tout cordon de rallonge détérioré ou faites-le remettre en état par une personne compétente avant de vous en servir.
- Tenez votre cordon de rallonge à l'écart des objets ranchants, des sources de grande chaleur et des endroits humides ou mouillés.

Calibres minimaux recommandés pour les cordons de rallonge*

Fiche signalétique Ampères	Longueur du cordon de rallonge (m)					
	7,6	15,2	22,8	30,4	45,7	60,9
0 - 5,0	16	16	16	14	12	12
5,1 - 8,0	16	16	14	12	10	--
8,1 - 12,0	14	14	12	10	--	--
12,1 - 15,0	12	12	10	10	--	--
15,1 - 20,0	10	10	10	--	--	--

* Basé sur une chute de voltage limite de 5 volts à 150% de l'intensité moyenne de courant.

**LISEZ ATTENTIVEMENT CES INSTRUCTIONS
ET CONSERVEZ-LES POUR LES
CONSULTER AU BESOIN.**



AVERTISSEMENT!

Pour minimiser les risques de blessures, débranchez toujours l'outil avant d'en changer les accessoires ou les réglages. Employez uniquement les accessoires spécifiquement recommandés pour cet outil. L'usage d'autres accessoires peut comporter des risques.

Utilisation de la chaîne de retenue

L'outil est pourvu d'une chaîne de retenue qui verrouille la poignée en position abaissée pour le transport de l'outil et son rangement. Pour détacher la chaîne, abaissez la poignée et décrochez la chaîne. Pour verrouiller la chaîne, abaissez la poignée et faites passer la chaîne sur son crochet.

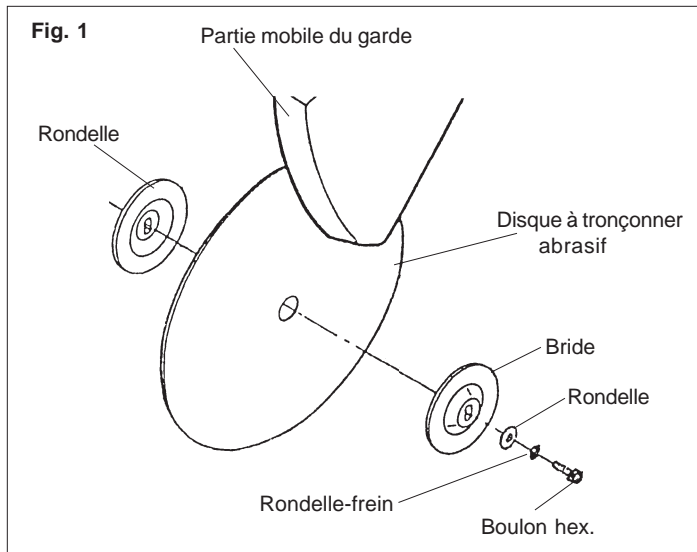


AVERTISSEMENT!

Pour minimiser les risques de blessures, n'utilisez que les disques adéquats convenant à cet outil. N'EMPLOYEZ PAS D'AUTRES TYPES DE LAMES DE SCIE.

Installation et retrait des disques à tronçonner (Fig. 1)

Un disque à tronçonner abrasif est déjà en place sur la tronçonneuse. MILWAUKEE recommande, pour cet outil, de n'utiliser que des disques à tronçonner abrasifs MILWAUKEE de 35,6 cm à 2,4 mm (14" à 3/32") de d'épaisseur. Avant d'utiliser l'outil, assurez-vous que le disque est en bonne condition selon les directives de la section « Consignes de sécurité spécifiques pour les tronçonneuses » que vous trouverez dans ce manuel.



Pour changer le disque, suivez la procédure décrite ci-dessous.

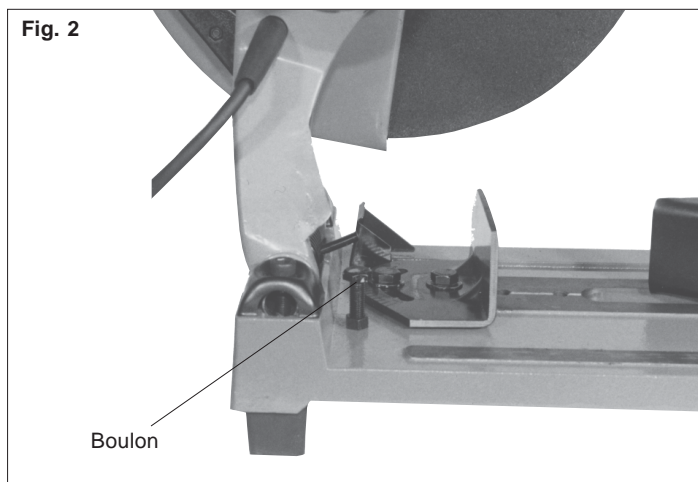
1. Abaissez la poignée de la tronçonneuse et décrochez la chaîne.
2. Tirez en arrière la partie mobile du garde pour exposer le boulon hex. de l'arbre du disque.
Appuyez sur le bouton du verrou de pivot et desserrez (sens inverse-horaire) le boulon du disque à l'aide de la clé hex. de l'outillage.
3. Retirez le boulon hex., la rondelle-frein, la rondelle, la bride extérieure, la douille et le disque à tronçonner, s'il y a lieu.
4. Assurez-vous que les (2) brides de disque sont en bon état. Enlevez les débris et les défauts qui pourraient causer une pression de coupe inégale et endommager le disque.

5. Mettez en place la bride intérieure, le disque, la bride extérieure, la rondelle, la rondelle-frein et le boulon hex., tel qu'indiqué (Fig. 1).
6. Appuyez sur le bouton du verrou de pivot tandis que vous serrerez (sens horaire) le boulon hex. à l'aide de la clé à fourche de l'outillage.
N.B. Serrez le boulon assez pour aplatir la rondelle-frein, mais n'exagérez pas car trop serrer pourrait endommager le disque et les brides.
7. Laissez la partie mobile du garde revenir à sa position initiale.
8. Avant de commencer une coupe, écartez-vous de l'outil et laissez tourner le disque pour vérifier s'il est en bonne condition. Laissez-le tourner au moins trois minutes lorsque vous venez de le remplacer et au moins une minute avant de faire une coupe de routine.

Réglage de la profondeur de coupe (Fig. 2)

Le boulon de réglage de profondeur peut être ajusté pour modifier la profondeur de coupe. Lorsqu'il est correctement réglé, le boulon de réglage de profondeur empêche le disque à tronçonner d'entrer en contact avec la surface sous la table durant la coupe. Les disques à tronçonner s'usent à l'emploi et la profondeur de coupe peut devoir être augmentée.

Fig. 2

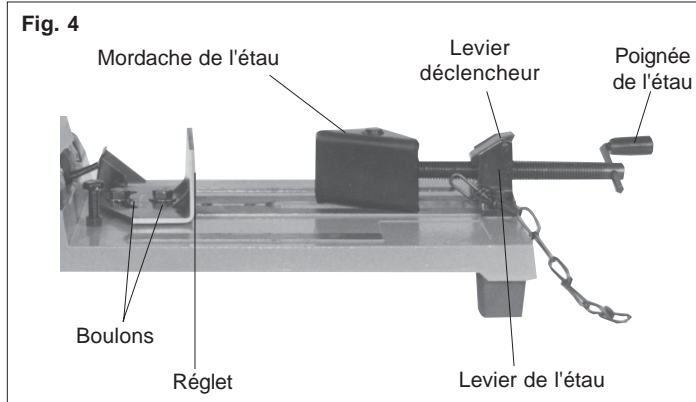
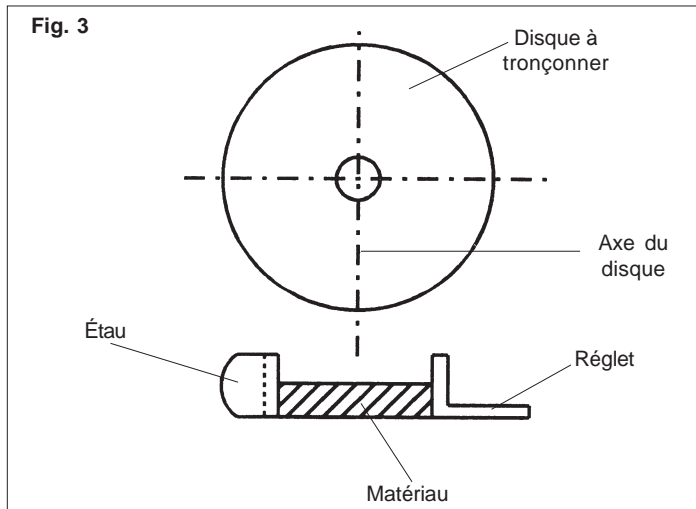


1. Pour régler la profondeur de coupe, servez-vous de la clé à fourche de l'outillage pour visser ou dévisser le boulon de réglage.
2. Dévissez l'écrou hex.
3. Réglez le boulon de réglage à la profondeur désirée.
4. Une fois la profondeur réglée, resserrez l'écrou hex.

Support du matériau et réglage d'angle de coupe (Fig. 3 & 4)

Servez-vous toujours de l'étau et du régllet pour maintenir le matériau en place sur la table de la tronçonneuse. La mordache de l'étau se déplace en avant et en arrière et s'ajuste à n'importe quel angle. Le régllet aussi se déplace vers l'avant ou l'arrière et s'ajuste à tout angle entre 0° et 45° à gauche ou à droite.

Pour faire une coupe, l'axe du disque devrait être aligné approximativement sur le point central du matériau et le milieu de l'espace entre la mordache de l'étau et le régllet, tel qu'indiqué (Fig. 3).



1. Pour ajuster le régllet, employez la clé à fourche de l'outillage pour desserrer (sens inverse-horaire) les deux boulons qui maintiennent le régllet solidement en place (Fig. 4).

Ajustez le régllet à la position et à l'angle voulus.

Employez la clé à fourche de l'outillage pour serrer à fond (sens horaire) les deux boulons qui maintiennent le régllet en place.

2. Pour régler l'étau, tirez le levier déclencheur vers l'arrière pour le dégager du filetage (Fig. 4).

Ajustez la mordache et la poignée de l'étau selon les dimensions du matériau.

Poussez le levier déclencheur vers l'avant pour l'engager dans le filetage et bloquer l'étau. Pour verrouiller complètement l'outil, tournez la poignée de l'étau en sens horaire.

Choix du matériau

La tronçonneuse à disque abrasif *MILWAUKEE* est conçue pour couper les tuyaux d'acier et de béton. Elle n'est pas recommandée pour couper le bois. Ne tentez pas d'y installer une lame de scie.

Démarrage et arrêt de l'outil

L'outil fonctionne à une vitesse de rotation à vide 3 900 t/min.

1. Branchez l'outil.
2. Pour mettre l'outil en marche, appuyez sur la détente.
3. Pour arrêter l'outil, relâchez la détente.

Verrouillage de la détente

Le bouton de verrouillage placé à côté de la détente sert à maintenir la détente en position de marche « ON » pour la rotation ininterrompue à plein régime.

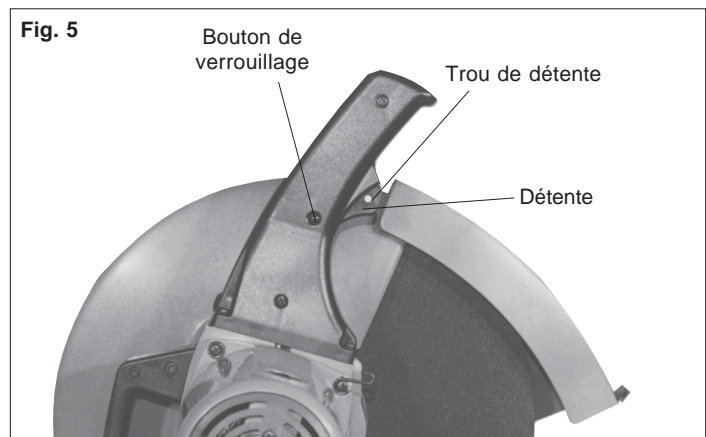
1. Pour verrouiller la détente, enfoncez le bouton de verrouillage tout en appuyant sur la détente. Relâchez ensuite la détente.
2. Pour déverrouiller la détente, enfoncez et relâchez la détente.

Pour faire une coupe

1. Débranchez l'outil.
2. Choisissez l'angle de coupe et mettez le régllet et l'étau en position. Suivez les instructions de « Support du matériau et de réglage de l'angle de coupe ».
3. Placez le matériau à plat sur le dessus de la table de la tronçonneuse. Ensuite, tournez la poignée de l'étau en sens horaire jusqu'à ce que l'étau maintienne fermement le matériau en place.
4. Branchez l'outil et appuyez sur la détente. Laissez le moteur atteindre son plein régime. Abaissez lentement le disque abrasif sur le matériau.
N.B. Commencez la coupe délicatement. Ne heurtez pas le disque en commençant une coupe. Pour effectuer la coupe la plus sécuritaire et la plus efficace, assurez-vous que le disque à tronçonner entame le centre du matériau.
5. Lorsque la coupe est terminée, retirez complètement le disque du matériau avant de relâcher la détente et laisser le moteur s'arrêter.

Trou de détente pour verrouiller l'outil (Fig. 5)

Le trou de détente permet à l'utilisateur de cadenasser l'outil et de prévenir les démarrages accidentels.



MAINTENANCE



AVERTISSEMENT!

Pour minimiser les risques de blessures, débranchez toujours l'outil avant d'y effectuer des travaux de maintenance. Ne faites pas vous-même le démontage de l'outil ni le rebobinage du système électrique. Consultez un centre de service **MILWAUKEE** accrédité pour toutes les réparations.

Entretien de l'outil

Gardez l'outil en bon état en adoptant un programme d'entretien ponctuel. Avant de vous en servir, examinez son état en général. Inspectez-en la garde, interrupteur, cordon et cordon de rallonge pour en déceler les défauts. Vérifiez le serrage des vis, l'alignement et le jeu des pièces mobiles, les vices de montage, bris de pièces et toute autre condition pouvant rendre le fonctionnement dangereux. Si un bruit ou une vibration insolite survient, arrêtez immédiatement l'outil et faites-le vérifier avant de vous en servir de nouveau. N'utilisez pas un outil défectueux. Fixez-y une étiquette marquée « HORS D'USAGE » jusqu'à ce qu'il soit réparé (voir « Réparations »).

Normalement, il ne sera pas nécessaire de lubrifier l'outil avant que le temps ne soit venu de remplacer les balais. Après une période pouvant aller de 6 mois à un an, selon l'usage, retournez votre outil à un centre de service **MILWAUKEE** accrédité pour obtenir les services suivants :

- Lubrification
- Inspection et remplacement des balais
- Inspection et nettoyage de la mécanique (engrenages, pivots, coussinets, boîtier etc.)
- Inspection électrique (interrupteur, cordon, induit etc.)
- Vérification du fonctionnement électromécanique

ACCESSOIRES



AVERTISSEMENT!

Pour minimiser les risques de blessures, débranchez toujours l'outil avant d'y installer ou d'en enlever les accessoires. L'emploi d'accessoires autres que ceux qui sont expressément recommandés pour cet outil peut présenter des risques.

Pour une liste complète des accessoires, prière de se reporter au catalogue **MILWAUKEE** Electric Tool. Pour obtenir un catalogue, il suffit de contacter votre distributeur local ou l'un des centres-service énumérés sur la page de couverture de ce manuel.

Disque à tronçonner abrasif 35,6 cm (14")

Pareil à celui qui est monté sur l'outil.

Clé à fourche

Comprise dans l'outillage. Utilisez la clé pour installer ou enlever le disque abrasif et pour ajuster l'angle et la profondeur de coupe.



AVERTISSEMENT!

Pour minimiser les risques de blessures, choc électrique et dommage à l'outil, n'immergez jamais l'outil et ne laissez pas de liquide s'y infiltrer.

Nettoyage

Débarrassez les événements des débris et de la poussière. Gardez les poignées de l'outil propres, à sec et exemptes d'huile ou de graisse. Le nettoyage de l'outil doit se faire avec un linge humide et un savon doux. Certains nettoyants tels l'essence, la térébenthine, les diluants à laque ou à peinture, les solvants chlorés, l'ammoniaque et les détergents d'usage domestique qui en contiennent pourraient détériorer le plastique et l'isolation des pièces. Ne laissez jamais de solvants inflammables ou combustibles auprès des outils.

Réparations

Si votre outil doit être réparé, retournez-le en entier au centre-service le plus près selon la liste apparaissant à la dernière page de ce manuel.

GARANTIE

Chaque outil fabriqué par **MILWAUKEE** est minutieusement vérifié avant de quitter l'usine. S'il survient un trouble, retournez l'outil port payé au siège social de la compagnie ou à une succursale ou un centre de service **MILWAUKEE** accrédité. Si l'examen de l'outil démontre que le trouble est dû à un défaut de fabrication ou de matériaux, les réparations seront effectuées gratuitement et l'outil vous sera retourné aux frais de la compagnie. Les batteries servant aux outils sans cordon sont garanties pour un an à compter de la date d'achat.

La présente garantie ne s'applique pas dans les cas suivants : (1) Des réparations ont été effectuées ou tentées par d'autres personnes que des techniciens mandatés par **MILWAUKEE** ou ses centres de service accrédités. (2) Les réparations sont rendues nécessaires par l'usage normale de l'outil. (3) L'outil a été employé abusivement ou a été endommagé accidentellement. (4) L'usage anormal ou la surcharge de l'outil sont évidents. (5) L'outil a été utilisé après une défaillance partielle. (6) L'outil a été employé avec un accessoire non compatible. Nulle autre garantie, tant écrite que verbale, n'est valable.

INSTRUCCIONES GENERALES DE SEGURIDAD



¡ADVERTENCIA!

LEA Y ENTIENDA TODAS LAS INSTRUCCIONES


Se debe seguir todas las instrucciones a continuación para evitar una descarga eléctrica, incendio y/o lesiones graves.

GUARDE ESTAS INSTRUCCIONES

AREA DE TRABAJO

1. **Mantenga limpia y bien iluminada el area detrabajo.** Las áreas desordenadas y oscuras favorecen los accidentes.
2. **Evite ambientes peligrosos.** No utilice ni exponga sus herramientas en la lluvia o en lugares mojados. No utilice su herramienta en atmósferas explosivas (con líquidos, gases o substancias inflamables). Retire del area materiales o residuos que puedan incendiarse con chispas.
3. **Mantenga alejadas a las personas.** Mantenga a distancia segura del area de trabajo, tanto a niños como a visitantes. No permita que personas ajenas distraigan al usuario ni toquen su herramienta o sus extensiones eléctricas.
4. **Proteja a los demas en el area de trabajo** de accidentes con rebabas y chispas eléctricas. Coloque barreras y escudos según sea necesario.
5. **Prepare su taller a prueba de niños** instalando seguros, interruptores maestros o quitando las llaves de encendido de las herramientas.

SEGURIDADELECTRICA

6. **Las herramientas conectadas a tierra deben estar enchufadas en un toma corriente que esté instalado correctamente y conectado a tierra de acuerdo con todos los códigos y ordenanzas vigentes.** Nunca retire la clavija de conexión a tierra o modifique el enchufe de ninguna manera. No use enchufes adaptadores. Consulte a un electricista capacitado si tiene dudas para asegurar que el tomacorriente esté correctamente conectado a tierra. Si las herramientas sufren fallas eléctricas, la conexión a tierra proporciona una trayectoria de baja resistencia para que el usuario no quede expuesto a la electricidad.
7. **Las herramientas con aislamiento doble están equipadas con un enchufe polarizado (una clavija es más ancha que la otra). Hay una sola manera de introducir este enchufe en una toma polarizada. Si el enchufe no se ajusta completamente en la toma, dé vuelta el enchufe. Si el problema persiste, póngase en contacto con un electricista calificado para que instale una toma polarizada. No cambie la toma de ninguna manera.** El aislamiento doble  elimina la necesidad de un cable de energía con conexión a tierra con 3 alambres y la de un sistema de suministro de energía con conexión a tierra.
8. **Protejase contra descargas electricas.** Evite el contacto personal con superficies "a tierra" tales como tuberías, radiadores, estufas y refrigeradores. Cuando vaya a realizar un corte "ciego", asegúrese de revisar el área de trabajo en busca de cables o tuberías. Sujete su herramienta de las superficies aislantes no metálicas. Use un interruptor para conexiones fallidas "a tierra" (GFCI) para reducir el riesgo de una descarga.
9. **No exponga su herramienta a la lluvia ni la use en sitios mojados o inundados.**

10. **No maltrate el cable. Nunca use el cable para transportar las herramientas ni para sacar el enchufe de la toma eléctrica. Mantenga el cable lejos de calefacción, petróleo, bordes afilados o cualquier parte movable. Reemplace inmediatamente cualquier cable dañado.** Los cables dañados aumentan el riesgo de choque eléctrico.

SEGURIDAD PERSONAL

11. **Conozca su herramienta.** Lea al detalle este manual del operario para que conozca las aplicaciones y limitaciones, al igual que los riesgos potenciales que ofrece una herramienta de este tipo.
12. **Este alerta. Revise su trabajo y use el sentido común. No opere su herramienta cuando esté cansado, distraído o bajo la influencia de drogas, alcohol o cualquier medicina que cause reducción del control.**
13. **Utilice ropa adecuada.** No use ropa suelta o joyería. Use un gorro que recoja el cabello largo y suelto ya que este puede ser atrapado por partes móviles. Cuando trabaje en el exterior use guantes de hule y zapatillas aislantes. Mantenga las manos y los guantes lejos de partes móviles.
14. **Evite arranques accidentales.** Antes de enchufar la herramienta asegúrese de que se encuentra apagada. No utilice la herramienta si tiene el interruptor dañado y éste no enciende ni apaga la herramienta correctamente. No cargue ni transporte una herramienta conectada, con el dedo colocado en el interruptor.
15. **Retire todas las llaves y calibradores.** Hágase el hábito de verificar que todas las llaves, calibradores, etc. hayan sido removidas de la herramienta antes de operarla.
16. **No se force, mantenga el control.** Mantenga siempre una postura y un balance adecuado. Mantenga bien sujeta su herramienta. Extremes sus precauciones cuando use herramientas en escaleras, techos, áticos, andamios, etc.
17. **Utilice equipo de seguridad.** Todas las personas que se encuentren en el área de trabajo **deberán utilizar anteojos de seguridad o anteojos con protectores laterales que cumplan con las normas de seguridad en vigencia.** Los anteojos normales tienen lentes que son sólo resistentes al impacto pero no son, en modo alguno, lentes de seguridad. Cuando permanezca en el área de trabajo durante periodos prolongados utilice protectores para los oídos. Use también una máscara contra polvo al realizar operaciones donde predominen esas condiciones. Siempre que así se especifique o se exija deberán utilizarse cascos protectores, máscaras protectoras, zapatos de seguridad, etc. Mantenga un extintor de incendios siempre a la mano.
18. **Mantenga las guardas en su lugar** y en condiciones de operación.
19. **No se coloque sobre la herramienta.** Pueden ocurrir serios accidentes si se golpea accidentalmente la herramienta o si se hace contacto no intencional con alguna parte cortante de la misma.
20. **Mantenga las manos retiradas de orillas cortantes y partes en movimiento.**

EL USO Y MANTENIMIENTO DE LA HERRAMIENTA

21. **Asegure el trabajo.** Use pinzas, sujetadores u otros medios prácticos para asegurar el trabajo. De esta manera tendrá libres ambas manos para operar y controlar la herramienta.
22. **No force su herramienta.** Desarrollará su trabajo mejor y más seguramente si la opera dentro del rango para el que está diseñada. Forzándola solamente causará fatiga al operario, mayor desgaste y menor control.
23. **Utilice la herramienta adecuada.** No utilice una herramienta o accesorio para hacer trabajos para los que no está diseñada ni recomendada. Como por ejemplo, usar una sierra circular para cortar troncos de árbol. No altere la herramienta.
24. **Desconecte la herramienta** cuando no se esté usando, cuando le cambie algún accesorio o le esté dando algún tipo de mantenimiento recomendado.
25. **Proteja su herramienta cuando no la use.** Cuando no la utilice, manténgala guardada en un lugar seco, alto y cerrado, lejos del alcance de los niños.
26. **Nunca deje sola una herramienta que este operando.** Desconéctela siempre. No se separe de la herramienta hasta que esta se haya detenido por completo.
27. **Busque partes dañadas.** Revise las guardas y otras partes antes de usar la herramienta. Busque partes móviles que estén dobladas, mal alineadas, mal montadas, rotas o que presenten cualquier otra condición que pueda afectar la operación. Si se detecta algún ruido o vibración anormal, apague de inmediato la herramienta y solucione el problema antes de volverla a usar. No use una herramienta dañada. Coloque una etiqueta indicando "NO DEBE USARSE", hasta que sea reparada. Las guardas o cualquier otra parte dañada deberá ser adecuadamente reparada o reemplazada por un Centro de Servicio *MILWAUKEE*. En todas las reparaciones insista en que se coloquen partes idénticas y originales

28. **Utilice los accesorios correctos.** Consulte este manual para saber cuáles son los accesorios correctos; puede ser peligroso utilizar accesorios incorrectos. Asegúrese de que los accesorios se encuentran bien instalados y han recibido el mantenimiento adecuado. No olvide poner los protectores o dispositivos de seguridad al instalar un accesorio.
29. **Mantenga su herramienta con cuidado.** Mantenga los mangos secos, limpios y sin aceite ni grasa. Mantenga los filos de corte afilados y limpios. Siga siempre las instrucciones para lubricación y cambio de accesorios. Revise periódicamente el cable y las extensiones en busca de daños. Las partes dañadas deberán ser reparadas o cambiadas por un Centro de Servicio Autorizado *MILWAUKEE*.
30. **Mantenga las etiquetas y la placa de especificaciones.** Estas incluyen información muy importante. Si se llegan a dañar y no son legibles, contacte un Centro de Servicio *MILWAUKEE* para que las cambien sin costo.

SERVICIO

31. **El servicio de mantenimiento debe ser realizado solamente por personal técnico debidamente capacitado.** El servicio o mantenimiento realizado por personal no calificado puede aumentar el riesgo de lesiones.
32. **Cuando realice el servicio de mantenimiento, utilice solamente repuestos idénticos. siga las instrucciones en la sección de mantenimiento de este manual.** El uso de partes no autorizadas o el incumplimiento de las instrucciones de mantenimiento puede aumentar el riesgo de descarga eléctrica o lesiones.



¡ADVERTENCIA!

Para reducir el riesgo de lesión, evite inhalar el polvo generado por la abrasión y las operaciones de corte. El exponerse a este tipo de polvo puede causar enfermedades respiratorias. Use respiradores aprobados por NIOSH o OSHA. Use también anteojos de seguridad y caretas de protección, al igual que guantes y ropa de seguridad. Logre una ventilación adecuada con el objeto de eliminar el polvo o para mantenerlo debajo del límite de seguridad recomendado por OSHA.

¡ADVERTENCIA! Algunas partículas de polvo resultantes del lijado mecánico, aserrado, esmerilado, taladrado y otras actividades relacionadas a la construcción, contienen sustancias químicas que se saben ocasionan cáncer, defectos congénitos u otros daños al aparato reproductivo. A continuación se citan algunos ejemplos de tales sustancias químicas:

- plomo proveniente de pinturas con base de plomo
- sílice cristalino proveniente de ladrillos, cemento y otros productos de albañilería y
- arsénico y cromo provenientes de madera químicamente tratada.

El riesgo que usted sufre debido a la exposición varía dependiendo de la frecuencia con la que usted realiza estas tareas. Para reducir la exposición a estas sustancias químicas: trabaje en un área bien ventilada, y utilice equipo de seguridad aprobado como, por ejemplo, máscaras contra el polvo que hayan sido específicamente diseñadas para filtrar partículas microscópicas.






Instrucciones para el disco abrasivo

1. Para cortar, use solo las orillas (no los lados) del disco. No permita que el disco se doble o deforme.
2. Mantenga el cuerpo y las manos lejos del disco giratorio. No use ropas sueltas cuando use esta herramienta.
3. Almacene con cuidado los discos abrasivos. No los deje caer o los exponga a un calor, frío o humedad excesivos.
4. Asegúrese que todas las rondanas del disco así como los demás implementos de montaje están en buenas condiciones y se usan siempre en forma adecuada. El uso de partes defectuosas, o si hay partes faltantes, pueden causar daño al disco abrasivo. Use siempre las rondanas de montaje que se suministran con la herramienta.
5. Es muy peligroso cortar con un disco dañado. Luego de instalar un nuevo disco, deje la herramienta sin conectar y gire el disco con la mano para cerciorarse que no está disperejo, roto o dañado. Si lo está, deséchelo y reemplácelo con uno nuevo. No use un disco que se haya caído ya que el impacto puede haberlo roto.
6. Antes de iniciar un corte, aléjese de la herramienta al tiempo que la acciona, con el objeto de verificar que el disco está en buenas condiciones. Los tiempos para una verificación son:
 - Cuando cambie un disco abrasivo—no menos de 3 minutos.
 - Cuando inicia un trabajo rutinario—un poco más de un minuto.
7. Nunca intente retirar el material o asegurarlo a la sierra mientras el disco está girando.
8. Antes de instalar un disco, inspecciónelo para ver si tiene fracturas. Verifique visualmente las uniones de resinas y de hule para ver si no están rotas. Reemplace de inmediato todo disco agrietado.
9. Verifique siempre la máxima velocidad de operación establecida para el disco y compárela contra la de la herramienta. No exceda la velocidad máxima de operación marcada en el disco.
10. No force el disco dentro de la herramienta ni le altere el tamaño de la entrada del mismo. No use un disco que entre en la flecha con mucha soltura. Si el disco no se ajusta a la herramienta, consiga uno que lo haga.
11. No intente colocar un disco de corte de sierra en esta herramienta ya que no está diseñada para cortar madera.
12. No apriete excesivamente la tuerca del disco.

Instrucciones de la herramienta

1. Inicie el corte una vez que la herramienta haya alcanzado su máxima velocidad.
2. Suelte el interruptor de inmediato en caso que el disco abrasivo de corte se detenga o el motor suene como si se estuviera forzando.
3. Mantenga alejados de la herramienta los objetos inflamables o frágiles. No permita que las chispas lleguen a tener contacto con las manos del operario.
4. Coloque la sierra en forma segura, en una superficie plana y nivelada.
5. Use siempre la herramienta con el voltaje adecuado indicado en la placa de especificaciones.
6. No toque nunca un pedazo de material cortado hasta que este se enfríe.
7. Nunca intente cortar material de mayores dimensiones a las indicadas en la capacidad nominal, en la sección «Especificaciones».
8. Nunca se coloque en línea con el disco cuando este esté cortando. Colóquese siempre al lado de este.
9. Mantenga siempre las guardas en su lugar.
10. Inicie siempre el corte en forma delicada. No lo golpee o presione contra el material al iniciar el corte.
11. No realice nunca cortes con las manos libres. Al realizar cortes, coloque siempre el material a cortar entre la pinza sujetadora y el tope de la herramienta.

Simbología

	Doble aislamiento
	Volts corriente alterna/ corriente directa
	Amperios
$n_{o} \text{xxxx} / \text{min.}$	No de revoluciones de carga por minuto (RPM)
	Underwriters Laboratories, Inc.
	Asociación de Normas Canadiense

Capacidades de la sierra tronadora

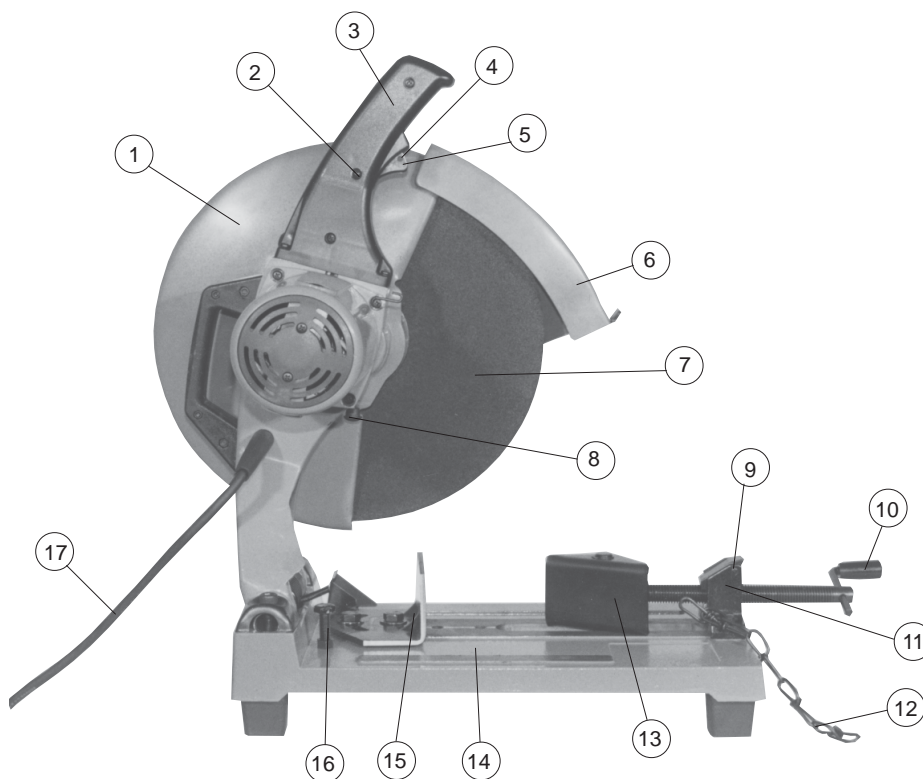
Catálogo No.	Tamaño del Disco	rpm	Volts ca/cd=	Máxima potencia en HP	Amp-erios	Diámetro exterior del tubo	Material rectangular	Tubos cuadrados	Entrada de flecha
6176-20	35,6 cm	3 900	120	3,2	15	127 mm	92,1 mm x 203 mm (Atado de pernos de acero)	127 mm x 127 mm	25,4 mm

Capacidades de la sierra tronadora

Tamaño del Disco	Revoluciones por minuto	Grosor del Disco	Entrada de Flecha
35,6 cm	4 365	2,4 mm	25,4 mm

DESCRIPCIÓN FUNCIONAL

1. Guarda (estacionario)
2. Botón-seguro
3. Empuñadura
4. Orificio del gatillo (para trabar la herramienta en « off »)
5. Interruptor de gatillo
6. Guarda (movible)
7. Disco abrasivo de corte
8. Seguro para trabar la flecha (localizado entre la empuñadura y la guarda)
9. Palanca de liberación rápida
10. Palanca de la pinza
11. Pinza sujetadora
12. Cadena para sujetar hacia abajo
13. Plato de la pinza
14. Mesa
15. Tope- 16. Perno de ajuste de profundidad
- 17. Cable eléctrico



TIERRA



¡ADVERTENCIA!

Puede haber riesgo de descarga eléctrica si se conecta el cable de conexión de puesta a tierra incorrectamente. Consulte con un electricista certificado si tiene dudas respecto a la conexión de puesta a tierra del tomacorriente. No modifique el enchufe que se proporciona con la herramienta. Nunca retire la clavija de conexión de puesta a tierra del enchufe. No use la herramienta si el cable o el enchufe está dañado. Si está dañado antes de usarlo, llévelo a un centro de servicio **MILWAUKEE** para que lo reparen. Si el enchufe no se acopla al tomacorriente, haga que un electricista certificado instale un tomacorriente adecuado.

Herramientas con conexión a tierra: Herramientas con enchufes de tres clavijas

Las herramientas marcadas con la frase "Se requiere conexión de puesta a tierra" tienen un cable de tres hilos y enchufes de conexión de puesta a tierra de tres clavijas. El enchufe debe conectarse a un tomacorriente debidamente conectado a tierra (véase la Figura A). Si la herramienta se averiara o no funcionara correctamente, la conexión de puesta a tierra proporciona un trayecto de baja resistencia para desviar la corriente eléctrica de la trayectoria del usuario, reduciendo de este modo el riesgo de descarga eléctrica.

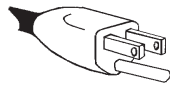
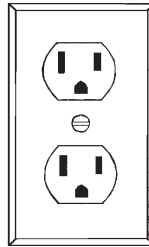


Fig. A



La clavija de conexión de puesta a tierra en el enchufe está conectada al sistema de conexión de puesta a tierra de la herramienta a través del hilo verde dentro del cable. El hilo verde debe ser el único hilo conectado al sistema de conexión de puesta a tierra de la herramienta y nunca se debe unir a una terminal energizada.

Su herramienta debe estar enchufada en un tomacorriente apropiado, correctamente instalado y conectado a tierra según todos los códigos y reglamentos. El enchufe y el tomacorriente deben asemejarse a los de la Figura A.

Herramientas con doble aislamiento: Herramientas con clavijas de dos patas

Las herramientas marcadas con "Doble aislamiento" no requieren conectarse "a tierra". Estas herramientas tienen un sistema aislante que satisface los estándares de OSHA y llena los estándares aplicables de UL (Underwriters Laboratories), de la Asociación Canadiense de Estándares (CSA) y el Código Nacional de Electricidad. Las herramientas con doble aislamiento pueden ser usadas en cualquiera de los toma corriente de 120 Volt mostrados en las Figuras B y C.

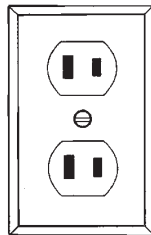


Fig. B

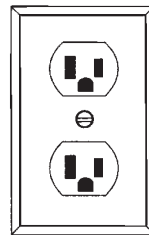


Fig. C

EXTENSIONES ELÉCTRICAS

Las herramientas que deben conectarse a tierra cuentan con clavijas de tres patas y requieren que las extensiones que se utilicen con ellas sean también de tres cables. Las herramientas con doble aislamiento y clavijas de dos patas pueden utilizarse indistintamente con extensiones de dos a tres cables. El calibre de la extensión depende de la distancia que exista entre la toma de la corriente y el sitio donde se utilice la herramienta. El uso de extensiones inadecuadas puede causar serias caídas en el voltaje, resultando en pérdida de potencia y posible daño a la herramienta. La tabla que aquí se ilustra sirve de guía para la adecuada selección de la extensión.

Mientras menor sea el número del calibre del cable, mayor será la capacidad del mismo. Por ejemplo, un cable calibre 14 puede transportar una corriente mayor que un cable calibre 16. Cuando use más de una extensión para lograr el largo deseado, asegúrese que cada una tenga al menos, el mínimo tamaño de cable requerido. Si está usando un cable de extensión para más de una herramienta, sume los amperes de las varias placas y use la suma para determinar el tamaño mínimo del cable de extensión.

Guías para el uso de cables de extensión

- Si está usando un cable de extensión en sitios al aire libre, asegúrese que está marcado con el sufijo "W-A" ("W" en Canadá) el cual indica que puede ser usado al aire libre.
- Asegúrese que su cable de extensión está correctamente cableado y en buenas condiciones eléctricas. Cambie siempre una extensión dañada o hágala reparar por una persona calificada antes de volver a usarla.
- Proteja su extensión eléctrica de objetos cortantes, calor excesivo o áreas mojadas.

Calibre mínimo recomendado para cables de extensiones eléctricas*

Amperes (En la placa)	Largo de cable de Extensión en(m)					
	7,6	15,2	22,8	30,4	45,7	60,9
0 - 5,0	16	16	16	14	12	12
5,1 - 8,0	16	16	14	12	10	--
8,1 - 12,0	14	14	12	10	--	--
12,1 - 15,0	12	12	10	10	--	--
15,1 - 20,0	10	10	10	--	--	--

* Basado en limitar la caída en el voltaje a 5 volts al 150% de los amperes.

LEA Y GUARDE TODAS LAS INSTRUCCIONES PARA FUTURAS REFERENCIAS.



¡ADVERTENCIA!

Para reducir el riesgo de lesión, desconecte siempre la herramienta antes de colocarle o quitarle un accesorio. Use solo accesorios recomendados específicamente para esta unidad. El uso de otros pueden ser peligroso.

Uso de la cadena sujetadora

La herramienta está equipada con una cadena que sujeta la sierra hacia abajo y que mantiene asegurada la empuñadura para poder transportar o almacenar la herramienta. La cadena sujetadora se suelta con solo empujar hacia abajo la empuñadura o mango y liberar la cadena de su gancho-seguro. Para asegurar la cadena, empuje la empuñadura o mango hacia abajo y pase la cadena al gancho-seguro.

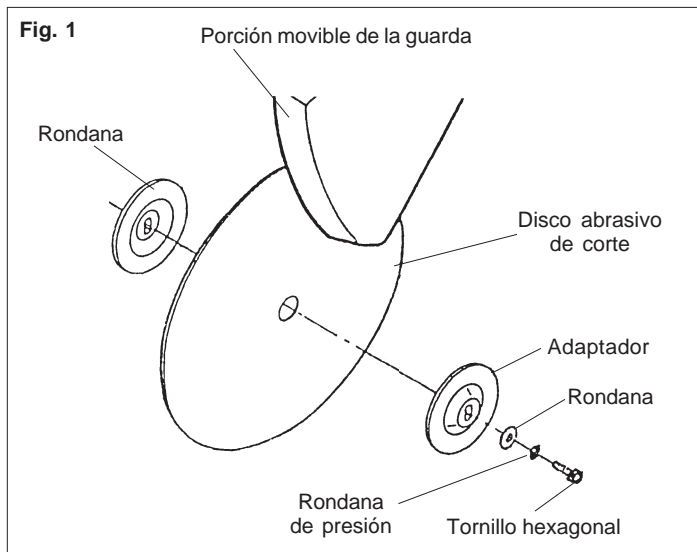


¡ADVERTENCIA!

Para reducir el riesgo de una lesión, use únicamente el disco adecuado fabricado para esta herramienta. NO USE NINGUN TIPO DE DISCO PARA SIERRA CIRCULAR.

Quitando y colocando los discos abrasivos de corte (Fig. 1)

La Sierra Tronzadora se surte con el disco abrasivo de corte ya instalado. Para esta herramienta, MILWAUKEE recomienda el uso exclusivo de discos abrasivos de corte de 35,6 cm y 2,4 mm de ancho, marca MILWAUKEE. Antes de poner en funcionamiento la herramienta, asegúrese de que el disco se encuentra en buenas condiciones tal como se describe en las « Instrucciones de seguridad específicas para las Máquinas de corte por discos abrasivos ».



Para cambiar discos, siga el procedimiento mencionado a continuación.

1. Libere la cadena sujetadora con solo empujar la empuñadura o mango hacia abajo y retirar la cadena del gancho.
2. Jale hacia atrás la parte móvil de la guarda con el objeto de que quede visible el tornillo hexagonal de la flecha.
Oprima el botón-seguro para trabar la flecha y utilice la llave hexagonal suministrada, a fin de aflojar el perno hexagonal (en dirección contraria a las manecillas del reloj).
3. Quite el perno hexagonal, la rondana de presión, la rondana, el adaptador exterior y, si se encuentra instalado, el disco de corte (si está instalado).

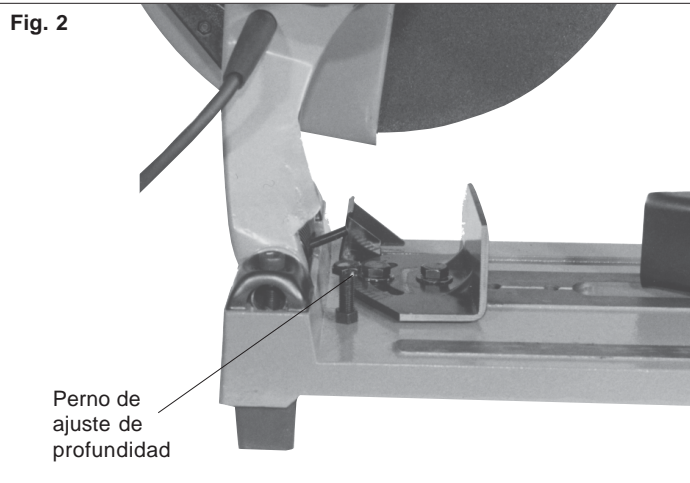
4. Verifique los dos adaptadores del disco y asegúrese que están en buen estado. Retire y limpie cualquier rebaba o impureza que pueda generar una presión desigual y que llegue a dañar el disco abrasivo.
5. Instale el adaptador interior, el disco, el adaptador exterior, la rondana, la rondana de presión y el perno hexagonal, tal como se muestra en la Fig. 1.
6. Presione el botón-seguro que traba la flecha y, al mismo tiempo, utilice la llave hexagonal suministrada a fin de apretar el perno hexagonal (gírelo en la dirección de las manecillas del reloj).

NOTA: Apriete firmemente el perno, lo suficiente para «aplanar» la rondana de presión pero sin excederse ya que, de hacerlo, el perno podría dañar el disco y los adaptadores.

7. Permita que la parte móvil de la guarda regrese a su posición original.
8. Antes de iniciar un corte, aléjese de la herramienta y enciéndala para confirmar que el disco abrasivo está en buenas condiciones. Cuando reemplace un disco abrasivo, déjelo girar por 3 minutos. Cuando vaya a iniciar un trabajo rutinario, accione la herramienta por un minuto.

Ajustando la profundidad de corte (Fig. 2)

El perno de ajuste de profundidad puede ajustarse a fin de cambiar la profundidad del corte. Al ajustarlo correctamente, el perno de ajuste de profundidad evita que el disco de corte entre en contacto con la superficie debajo de la base, al momento de realizar el corte. Los discos de corte se desgastan conforme se utilizan y, por tanto, quizás sea necesario aumentar la profundidad del corte.

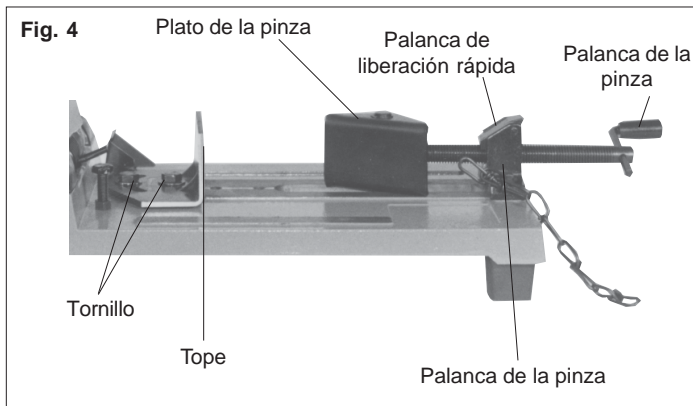
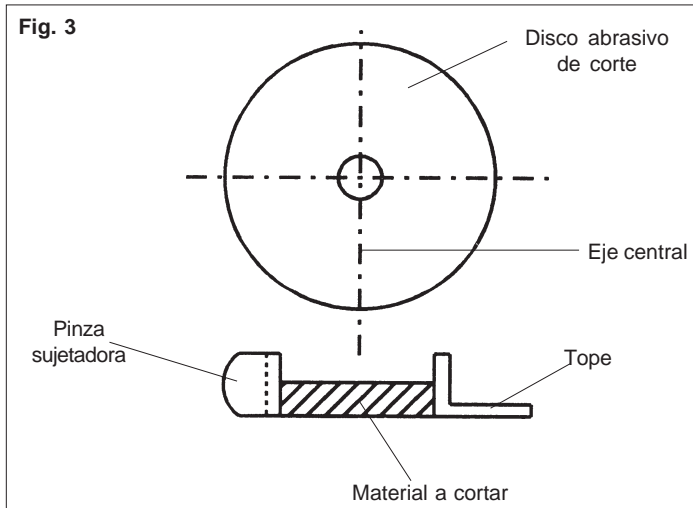


1. Para ajustar la profundidad del corte, utilice la llave hexagonal suministrada a fin de bajar o elevar el perno de ajuste de profundidad.
2. Afloje la tuerca hexagonal.
3. Ajuste el perno de ajuste de profundidad a la altura deseada.
4. Cuando se alcance la profundidad deseada, apriete la tuerca hexagonal.

Sujetando el material a cortar y ajustando el ángulo de corte (Fig. 3 & 4)

Siempre deberá usarse la pinza sujetadora y el tope de la base para sujetar, en su sitio, el material en la mesa de la sierra. El plato de la pinza sujetadora se mueve hacia adelante o atrás y se ajusta a cualquier ángulo. El tope también se mueve hacia adelante o atrás y se ajusta a cualquier ángulo entre 0° y 45°, a la derecha o la izquierda.

Cuando realice un corte, el eje central del disco deberá hacer contacto con el punto medio del material a cortar y deberá hacer el contacto inicial, a la mitad de la distancia entre el tope y la pinza sujetadora, como se ilustra (Fig. 3).



1. Para ajustar el tope, utilice la llave hexagonal suministrada a fin de aflojar (girándolos en la dirección contraria a la de las manecillas del reloj) los dos pernos que lo mantienen firmemente en su lugar (Fig. 4).

Ajuste la posición y el ángulo del tope conforme se desee.

Utilice la llave hexagonal suministrada a fin de apretar firmemente (girándolos en la dirección de las manecillas del reloj) los dos pernos que mantienen el tope en su lugar.

2. Para ajustar el torno de banco, tire hacia atrás de la palanca de liberación rápida a fin de desembragarlo de las roscas (Fig. 4).

Ajuste la placa o la empuñadura del torno de mesa según el tamaño del material que va a cortar.

Empuje hacia adelante la palanca de liberación rápida a fin de embragar las roscas y trabar el torno de mesa en posición. Para trabar completamente en posición el conjunto del torno de mesa, gire la empuñadura del torno en la dirección de las manecillas del reloj.

Seleccionando el material a cortar

La Dierra Tronzadora *MILWAUKEE* está diseñada para cortar tubos o ductos de acero y de concreto. No se recomienda para cortar madera. No intente instalar un disco de corte para sierra circular.

1. Enchufe la herramienta.
2. Para accionarlo simplemente presione el gatillo.
3. Para detener la unidad, suelte el gatillo.

Uso del seguro de botón

El seguro de botón, localizado junto al interruptor de gatillo, mantendrá a este en la posición de ON para un uso continuo al máximo de velocidad.

1. Para accionar el seguro de botón, presione lo hacia adentro mientras aprieta el gatillo. Luego suelte el gatillo.
2. Para desactivar el seguro de botón, presione el gatillo y suéltelo.

Realizando un corte

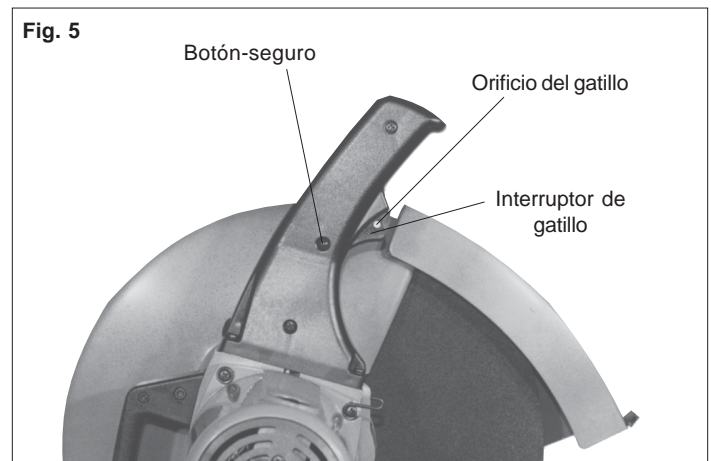
1. Desenchufe el herramienta.
2. Seleccione el ángulo y posicione el tope y el conjunto del torno de mesa según sea necesario. Siga los pasos en la sección « Sujetando el material a cortar y ajustando el ángulo de corte ».
3. Coloque sobre la mesa de la sierra tronzadora, el material a cortarse. Luego, gire, en dirección de las manecillas de un reloj, la palanca de la pinza sujetadora hasta que el mecanismo de sujeción sujete sólidamente en su lugar, al material a cortar.
4. Enchufe la herramienta y tire del gatillo. Deje que el motor alcance su máxima velocidad. Lentamente baje la rueda hasta el material que va a cortar.

NOTA: Inicie siempre el corte de una manera suave, no golpee o force el disco cuando inicie el corte. Para lograr los cortes mas seguros y eficientes, asegúrese que el disco abrasivo hace el contacto inicial en el centro del material a cortar.

5. Cuando se termina el corte, levante el disco por completo, separándolo del material antes de soltar el interruptor y permitir que el motor se detenga.

Función de botón-seguro y orificio del gatillo (Fig. 5)

El orificio del gatillo permite al usuario insertar un candado. Esto evita que la herramienta sea puesta en funcionamiento por accidente.



MANTENIMIENTO



¡ADVERTENCIA!

Para reducir el riesgo de lesiones, desconecte siempre la herramienta antes de darle cualquier mantenimiento. Nunca desarme la herramienta ni trate de hacer modificaciones en el sistema eléctrico de la misma. Acuda siempre a un Centro de Servicio *MILWAUKEE* para TODAS las reparaciones.

Mantenimiento de las herramientas

Adopte un programa regular de mantenimiento y mantenga su herramienta en buenas condiciones. Antes de usarla, examine las condiciones generales de la misma. Inspeccione guardas, interruptores, el cable de la herramienta y el cable de extensión. Busque tornillos sueltos o flojos, defectos de alineación y dobleces en partes móviles, así como montajes inadecuados, partes rotas y cualquier otra condición que pueda afectar una operación segura. Si detecta ruidos o vibraciones anormales, apague la herramienta de inmediato y corrija el problema antes de volver a usarla. No utilice una herramienta dañada. Colóquese una etiqueta que diga "NO DEBE USARSE" hasta que sea reparada (vea "Reparaciones").

Bajo condiciones normales, no se requiere lubricación hasta que haya que cambiar los carbones. Después de 6 meses a un año, dependiendo del uso dado, envíe su herramienta al Centro de Servicio *MILWAUKEE* más cercano para que le hagan:

- Lubricación
- Inspección y cambio de carbones
- Inspección mecánica y limpieza (engranes, flechas, baleros, carcarza, etc.)
- Inspección eléctrica (interruptor, cable, armadura, etc.)
- Probarla para asegurar una operación mecánica y eléctrica adecuada.

ACCESORIOS



¡ADVERTENCIA!

Para reducir el riesgo de lesión, desconecte siempre su herramienta antes de colocar o retirar un accesorio. Use solo accesorios recomendados específicamente. Otros pueden ser peligrosos.

Para una lista completa de accesorios, refiérase a su catálogo *MILWAUKEE* Electric Tool. Para obtener un catálogo, contacte su distribuidor local o uno de los centros de servicio listos en la página de cubierta de este manual.

Disco Abrasivo de Corte, de 35,6 cm

Misma que la suministrada junto con la herramienta.

Llave hexagonal

Misma que la suministrada junto con la herramienta. Utilice esta llave para instalar y quitar las ruedas abrasivas de corte y para ajustar el tope y el perno de ajuste de profundidad.



¡ADVERTENCIA!

Para reducir el riesgo de lesiones, descarga eléctrica o daño a la herramienta, nunca la sumerja en líquidos ni permita que estos fluyan dentro de la misma.

Limpeza

Limpie el polvo y suciedad de las ventilas. Mantenga las empuñaduras de la herramienta limpias, secas y libres de aceite y grasa. Use sólo jabón neutro y un trapo húmedo para limpiar su herramienta ya que algunas substancias y disolventes limpiadores pueden ocasionar daños a materiales plásticos y partes aislantes. Algunos de estos incluyen: gasolina, trementina, diluyente para barniz, diluyente para pintura, disolventes limpiadores clorados, amoníaco, y detergentes caseros que contengan amoníaco.

Reparaciones

Si se daña o descompone, envíe la herramienta y todos sus accesorios al centro de servicio más cercano de los listados en la cubierta posterior de este manual del operario.

GARANTIA

Cada herramienta *MILWAUKEE* es minuciosamente inspeccionada y probada antes de ser empacada y despachada. En caso de que se presente algún problema, devuelva la herramienta y todos sus accesorios (con flete pagado) a nuestra oficina principal o a cualquiera de los centros de servicio autorizado de *MILWAUKEE*. Si la causa del problema lo fuera un defecto en la mano de obra o el material, todas las reparaciones se llevarán a cabo libre de cargo y la herramienta le será devuelta al propietario (con flete pagado). Los bloques de pilas secas para herramientas inalámbricas cuentan con garantía de un año a partir de la fecha de compra.

Esta garantía pierde su validez cuando: (1) alguien que no pertenezca al personal de *MILWAUKEE* o de centros de servicio autorizado haga o intente hacer reparaciones a la herramienta; (2) la herramienta requiera ser reparada por causas de uso o desgaste normal; (3) la herramienta ha sido objeto de abuso o ha sufrido algún accidente; (4) haya evidencia de maltrato tal como el ocasionado cuando se sobrecarga la herramienta por encima de su capacidad nominal; (5) se utiliza la herramienta luego haber presentado una falla temporal; o (6) se utiliza la herramienta con accesorios inadecuados. No se reconoce ninguna otra garantía, verbal o escrita.

UNITED STATES

MILWAUKEE Service

To locate the *factory* SERVICE CENTER or authorized service station nearest you, call

1-800-414-6527

TOLL FREE • NATIONWIDE

Monday-Friday • 8:00 AM - 4:30 PM • Local Time

In addition, there is a worldwide network of distributors ready to assist you. Check your "Yellow Pages" under "Tools-Electric" for the names of those nearest you.

For further information on *factory* SERVICE CENTER or authorized service station locations, visit our website at:

www.mil-electric-tool.com

Corporate Product Service Support -
Warranty and Technical Information

Brookfield, Wisconsin USA

1-800-729-3878

CANADA

Service MILWAUKEE

Milwaukee Electric Tool (Canada) Ltd

755 Progress Avenue

Scarborough, Ontario M1H 2W7

Tel. (416) 439-4181

Fax: (416) 439-6210

En outre le réseau de distributeurs est à la disposition de la clientèle d'un océan à l'autre. Consultez les pages jaunes de l'annuaire téléphonique pour l'adresse du centre le plus près de chez vous.

In addition, there is a worldwide network of distributors ready to assist you. Check your "Yellow Pages" under "Tools-Electric" for the names of those nearest you.

MEXICO

Servicios de MILWAUKEE

Milwaukee Electric Tool

División de : Atlas Copco Mexicana S.A. de C.V.

Bld. Abraham Lincoln no. 13

Colonia Los Reyes Zona Industrial

Tlalnepantla, Edo. México C.P. 54073

Tels. 5565-1414 5565-4720

Fax: 5565-0925

Además se cuenta con una red nacional de distribuidores listos para apoyarlo. Vea en las "Páginas Amarillas" sección "Herramientas Eléctricas".

MILWAUKEE ELECTRIC TOOL CORPORATION

A Company within the Atlas Copco Group

13135 West Lisbon Road • Brookfield, Wisconsin, U.S.A. 53005

Free Manuals Download Website

<http://myh66.com>

<http://usermanuals.us>

<http://www.somanuals.com>

<http://www.4manuals.cc>

<http://www.manual-lib.com>

<http://www.404manual.com>

<http://www.luxmanual.com>

<http://aubethermostatmanual.com>

Golf course search by state

<http://golfingnear.com>

Email search by domain

<http://emailbydomain.com>

Auto manuals search

<http://auto.somanuals.com>

TV manuals search

<http://tv.somanuals.com>