



**OPERATOR'S MANUAL
MANUEL de L'UTILISATEUR
MANUAL del OPERADOR**

**Catalog No.
No de Cat.
Número de Catálogo
6266
6276**



**JIG SAW
SCIE SAUTEUSE
SIERRA CALADORA**

TO REDUCE THE RISK OF INJURY, USER MUST READ AND UNDERSTAND OPERATOR'S MANUAL.

AFIN DE RÉDUIRE LE RISQUE DE BLESSURES, L'UTILISATEUR DOIT LIRE ET BIEN COMPRENDRE LE MANUEL DE L'UTILISATEUR.

PARA REDUCIR EL RIESGO DE LESIONES, EL USUARIO DEBE LEER Y ENTENDER EL MANUAL DEL OPERADOR.

GENERAL SAFETY RULES



WARNING!

READ AND UNDERSTAND ALL INSTRUCTIONS


Failure to follow all instructions listed below, may result in electric shock, fire and/or serious personal injury.

SAVE THESE INSTRUCTIONS

WORK AREA

1. **Keep your work area clean and well lit.** Cluttered benches and dark areas invite accidents.
2. **Do not operate power tools in explosive atmospheres, such as in the presence of flammable liquids, gases, or dust.** Power tools create sparks which may ignite the dust or fumes.
3. **Keep bystanders, children, and visitors away while operating a power tool.** Distractions can cause you to lose control. Protect others in the work area from debris such as chips and sparks. Provide barriers or shields as needed.

ELECTRICAL SAFETY

4. **Grounded tools must be plugged into an outlet properly installed and grounded in accordance with all codes and ordinances. Never remove the grounding prong or modify the plug in any way. Do not use any adaptor plugs. Check with a qualified electrician if you are in doubt as to whether the outlet is properly grounded.** If the tools should electrically malfunction or break down, grounding provides a low resistance path to carry electricity away from the user.
5. **Double Insulated tools are equipped with a polarized plug (one blade is wider than the other). This plug will fit in a polarized outlet only one way. If the plug does not fit fully in the outlet, reverse the plug. If it still does not fit, contact a qualified electrician to install a polarized outlet. Do not change the plug in any way.** Double insulation  eliminates the need for the three wire grounded power cord and grounded power supply system.
6. **Avoid body contact with grounded surfaces such as pipes, radiators, ranges and refrigerators.** There is an increased risk of electric shock if your body is grounded.
7. **Do not expose power tools to rain or wet conditions.** Water entering a power tool will increase the risk of electric shock.
8. **Do not abuse the cord. Never use the cord to carry the tools or pull the plug from an outlet. Keep cord away from heat, oil, sharp edges or moving parts. Replace damaged cords immediately.** Damaged cords increase the risk of electric shock.
9. **When operating a power tool outside, use an outdoor extension cord marked "W-A" or "W".** These cords are rated for outdoor use and reduce the risk of electric shock.

PERSONAL SAFETY

10. **Stay alert, watch what you are doing, and use common sense when operating a power tool. Do not use tool while tired or under the influence of drugs, alcohol, or medication.** A moment of inattention while operating power tools may result in serious personal injury.
11. **Dress properly. Do not wear loose clothing or jewelry. Contain long hair. Keep your hair, clothing, and gloves away from moving parts.** Loose clothes, jewelry, or long hair can be caught in moving parts.

12. **Avoid accidental starting. Be sure switch is off before plugging in.** Carrying tools with your finger on the switch or plugging in tools with the switch on invites accidents.
13. **Remove adjusting keys or wrenches before turning the tool on.** A wrench or a key that is left attached to a rotating part of the tool may result in personal injury.
14. **Do not overreach. Keep proper footing and balance at all times.** Proper footing and balance enables better control of the tool in unexpected situations.
15. **Use safety equipment. Always wear eye protection.** Dust mask, non-skid safety shoes, hard hat, or hearing protection must be used for appropriate conditions.

TOOL USE AND CARE

16. **Use clamps or other practical way to secure and support the workpiece to a stable platform.** Holding the work by hand or against your body is unstable and may lead to loss of control.
17. **Do not force tool. Use the correct tool for your application.** The correct tool will do the job better and safer at the rate for which it is designed.
18. **Do not use tool if switch does not turn it on or off.** Any tool that cannot be controlled with the switch is dangerous and must be repaired.
19. **Disconnect the plug from the power source before making any adjustments, changing accessories, or storing the tool.** Such preventive safety measures reduce the risk of starting the tool accidentally.
20. **Store idle tools out of reach of children and other untrained persons.** Tools are dangerous in the hands of untrained users.
21. **Maintain tools with care. Keep cutting tools sharp and clean.** Properly maintained tools with sharp cutting edge are less likely to bind and are easier to control. Do not use a damaged tool. Tag damaged tools "Do not use" until repaired.
22. **Check for misalignment or binding of moving parts, breakage of parts, and any other condition that may affect the tool's operation. If damaged, have the tool serviced before using.** Many accidents are caused by poorly maintained tools.
23. **Use only accessories that are recommended by the manufacturer for your model.** Accessories that may be suitable for one tool, may become hazardous when used on another tool.







SERVICE

24. **Tool service must be performed only by qualified repair personnel.** Service or maintenance performed by unqualified personnel could result in a risk of injury.
25. **When servicing a tool, use only identical replacement parts. Follow instructions in the Maintenance section of this manual.** Use of unauthorized parts or failure to follow Maintenance Instructions may create a risk of electric shock or injury.

SPECIFIC SAFETY RULES

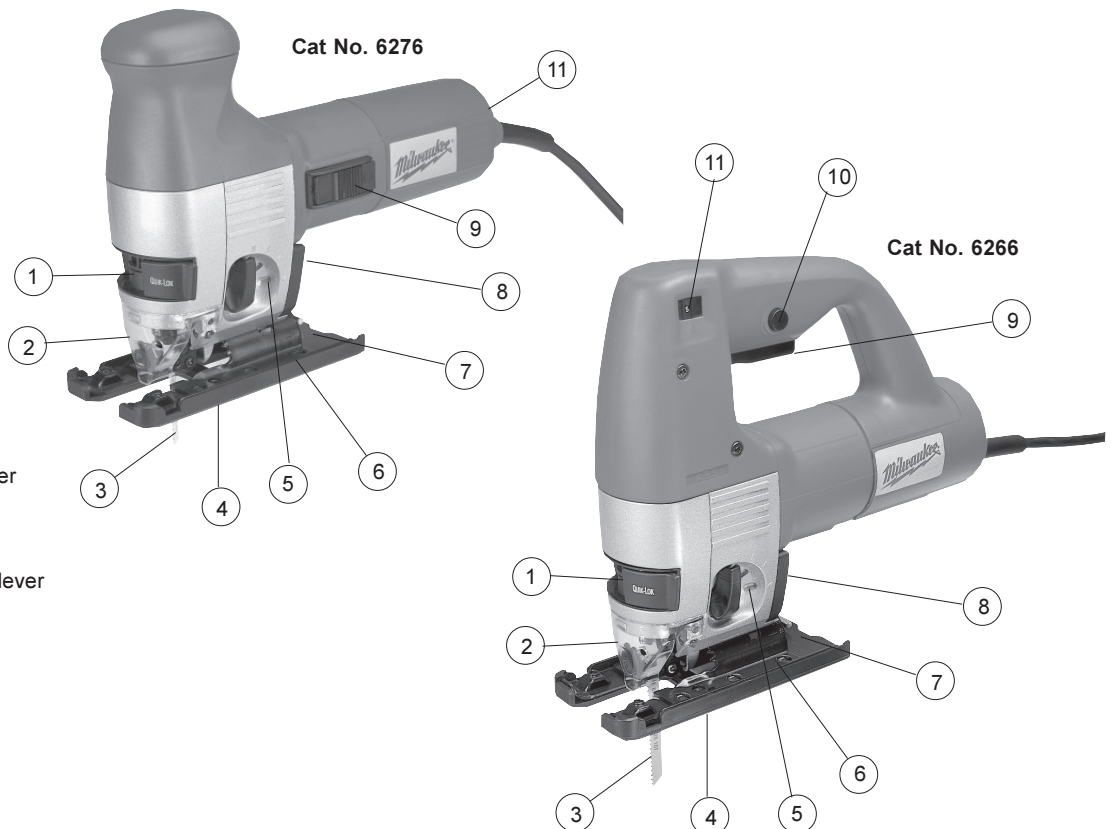
1. Hold tool by insulated gripping surfaces when performing an operation where the cutting tool may contact hidden wiring or its own cord. Contact with a "live" wire will make exposed metal parts of the tool "live" and shock the operator.
2. Keep hands away from all cutting edges and moving parts.
3. Maintain labels and nameplates. These carry important information. If unreadable or missing, contact a MILWAUKEE Service facility for a free replacement.
4. **WARNING!** Some dust created by power sanding, sawing, grinding, drilling, and other construction activities contains chemicals known to cause cancer, birth defects or other reproductive harm. Some examples of these chemicals are:
 - lead from lead-based paint
 - crystalline silica from bricks and cement and other masonry products, and
 - arsenic and chromium from chemically-treated lumber.

Your risk from these exposures varies, depending on how often you do this type of work. To reduce your exposure to these chemicals: work in a well ventilated area, and work with approved safety equipment, such as those dust masks that are specially designed to filter out microscopic particles.

Symbology	
	Double Insulated
	Volts Alternating Current
	Amps
	No Load Revolutions per Minute (RPM)
	Underwriters Laboratories, Inc.
	Canadian Standards Association

Specifications				
Cat. No.	Volts AC Only	Amps	Length of Stroke	Strokes per minute
6266	120	5.7	1"	450- 3100
6276	120	5.7	1"	450-3100

FUNCTIONAL DESCRIPTION



1. Quik-Lok tension lever
2. Transparent blade cover
3. Blade
4. Shoe
5. Orbital action selector lever
6. Tilt angle scale
7. Hex key
8. Vacuum manifold
9. On/Off switch
10. Lock button
11. Speed control dial

GROUNDING



WARNING!

Improperly connecting the grounding wire can result in the risk of electric shock. Check with a qualified electrician if you are in doubt as to whether the outlet is properly grounded. Do not modify the plug provided with the tool. Never remove the grounding prong from the plug. Do not use the tool if the cord or plug is damaged. If damaged, have it repaired by a **MILWAUKEE** service facility before use. If the plug will not fit the outlet, have a proper outlet installed by a qualified electrician.

Grounded Tools:

Tools with Three Prong Plugs

Tools marked "Grounding Required" have a three wire cord and three prong grounding plug. The plug must be connected to a properly grounded outlet (See Figure A). If the tool should electrically malfunction or break down, grounding provides a low resistance path to carry electricity away from the user, reducing the risk of electric shock.

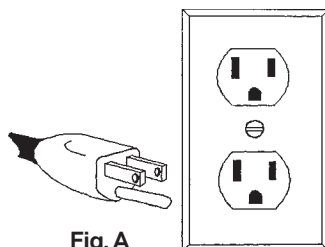


Fig. A

The grounding prong in the plug is connected through the green wire inside the cord to the grounding system in the tool. The green wire in the cord must be the only wire connected to the tool's grounding system and must never be attached to an electrically "live" terminal.

Your tool must be plugged into an appropriate outlet, properly installed and grounded in accordance with all codes and ordinances. The plug and outlet should look like those in Figure A.

Double Insulated Tools:

Tools with Two Prong Plugs

Tools marked "Double Insulated" do not require grounding. They have a special double insulation system which satisfies OSHA requirements and complies with the applicable standards of Underwriters Laboratories, Inc., the Canadian Standard Association and the National Electrical Code. Double Insulated tools may be used in either of the 120 volt outlets shown in Figures B and C.

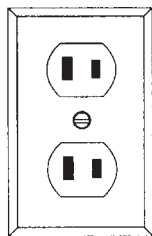


Fig. B

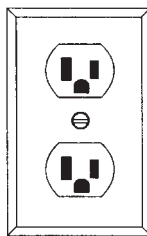


Fig. C

EXTENSION CORDS

Grounded tools require a three wire extension cord. Double insulated tools can use either a two or three wire extension cord. As the distance from the supply outlet increases, you must use a heavier gauge extension cord. Using extension cords with inadequately sized wire causes a serious drop in voltage, resulting in loss of power and possible tool damage. Refer to the table shown to determine the required minimum wire size.

The smaller the gauge number of the wire, the greater the capacity of the cord. For example, a 14 gauge cord can carry a higher current than a 16 gauge cord. When using more than one extension cord to make up the total length, be sure each cord contains at least the minimum wire size required. If you are using one extension cord for more than one tool, add the nameplate amperes and use the sum to determine the required minimum wire size.

Guidelines for Using Extension Cords

- If you are using an extension cord outdoors, be sure it is marked with the suffix "W-A" ("W" in Canada) to indicate that it is acceptable for outdoor use.
- Be sure your extension cord is properly wired and in good electrical condition. Always replace a damaged extension cord or have it repaired by a qualified person before using it.
- Protect your extension cords from sharp objects, excessive heat and damp or wet areas.

Recommended Minimum Wire Gauge for Extension Cords*

Nameplate Amperes	Extension Cord Length					
	25'	50'	75'	100'	150'	200'
0 - 5	16	16	16	14	12	12
5.1 - 8	16	16	14	12	10	--
8.1 - 12	14	14	12	10	--	--
12.1 - 15	12	12	10	10	--	--
15.1 - 20	10	10	10	--	--	--

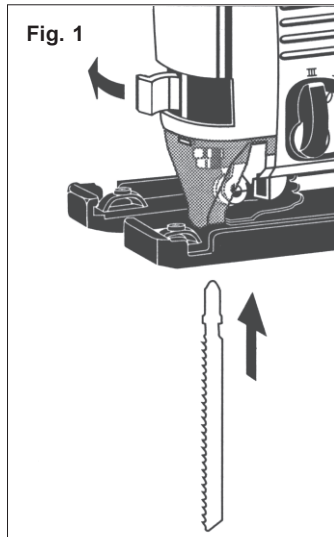
* Based on limiting the line voltage drop to five volts at 150% of the rated amperes.

READ AND SAVE ALL INSTRUCTIONS FOR FUTURE USE.



WARNING!

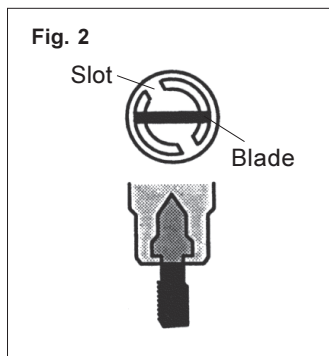
To reduce the risk of injury, always unplug tool before attaching or removing accessories or making adjustments. Use only specifically recommended accessories. Others may be hazardous.



Installing saw blades

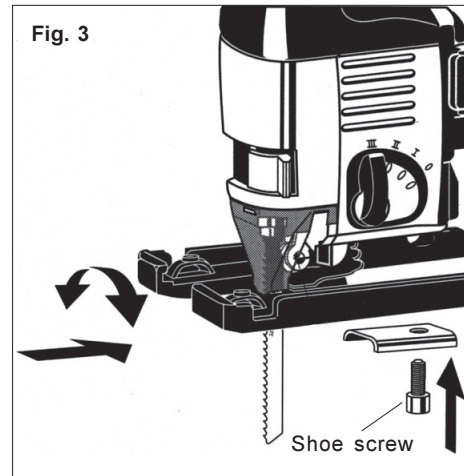
This tool uses only T-Shank jig saw blades.

1. Unplug the tool.
2. Push the Quik-Lok tension lever as far as it will go and hold it in position (Fig. 1).
3. Fit the saw blade into the groove in the support roller and push it firmly into the plunger as far as it will go; the lug of the saw blade must be in the plunger.
4. Release the Quik-Lok tension lever and the saw blade is automatically held.
5. Check that the saw blade is held firmly; the slot in the plunger will be at an angle to the saw (Fig. 2).



Adjusting the shoe (Fig. 3)

The shoe may be tilted up to 45° in either direction and moved forward or backward.



1. To set a tilt angle for angle cuts and bevels, loosen the shoe screw, pull the base backward slightly until the retaining lugs are no longer engaged. Tilt to the required preset angle (15°, 30°, or 45°) as read on the tilt angle scale. Push back into the retaining lugs and tighten the shoe screw. If angles other than the presets are required, set the desired angle and tighten the shoe screw without engaging the retaining lugs.

If very exact angles are needed it is recommended that a test cut and subsequent adjustment be made.

2. To move the shoe back for plunge cuts or cuts in corners, loosen the shoe screw and pull the shoe all the way back. The shoe screw will fit into a slot to hold the shoe at 0°.

Using the Shoe Cover

The non-marring shoe cover is used to prevent marring and scratching of the workpiece surface. To attach the shoe cover, hook the front of the cover over the steel shoe. Next, snap the rear of the shoe cover to the steel shoe. Be sure both sides are snapped in place.

When the shoe cover is not needed, remove it by pulling the tabs on rear of the shoe cover outward from the steel shoe. Unhook the front of the shoe cover and remove.

OPERATION



WARNING!

To reduce the risk of injury, wear safety goggles or glasses with side shields. Unplug the tool before changing accessories or making adjustments.

The 6266 and 6276 Orbital Action jig saws can cut a wide variety of materials including metal, wood and plastic. Cuts may be straight lines, bevels, curves or internal cut-outs. Notable features of these jig saws include:

- Rapid blade change without tools with the Quik-Lok blade change system.
- Adjustable Orbital Action blade stroke cuts faster by pressing the blade against the work only during the upstroke. This is particularly effective when rough cutting thick wooden boards.
- Electronic dial speed control maintains the pre-set speed during the cut.
- Adjustable shoe can be tilted by up to 45 degrees in either direction for bevel cuts.
- Non-marring shoe cover to protect the surface of workpiece from marring and scratching.
- Sawdust blower removes the sawdust ahead of the cut for improved visibility.
- Built in manifold for vacuum assisted dust collection (hose is optional).
- Transparent blade cover improves dust extraction.
- Vibration dampened mechanism permits quieter, smoother running.

Starting and stopping the tool

For Model No. 6266

1. To start the tool, press the On/Off switch.
2. To stop the tool, release the On/Off switch.

For Model No. 6276

1. To start the tool, push the On/Off switch forward until "I" is visible.
2. To stop the tool, push the On/Off switch backwards until "0" is visible.

Locking the On/Off Switch

The lock button holds the trigger in the ON position for continuous use. (Model No. 6266 only)

1. To lock the On/Off switch, hold the lock button in while pressing the On/Off switch. Then release the On/Off switch.
2. To unlock the On/Off switch, press the On/Off switch and release. The lock button will pop out.

Adjusting stroke per minute

The strokes per minute may be adjusted with the speed control dial. The numbers 1 through 7 are printed on the dial with 1 being the slowest speed and 7 the highest speed. Recommended cutting speeds for various materials are listed below. Optimum cutting speeds should be determined by the user for specific cutting requirements. Strokes per minute may be adjusted when the tool is running or stopped.

Material	Recommended saw speed
Wood	7
Metal	4-5
Plastic	2

Adjusting the orbital action

The amount of orbital action may be adjusted with the orbital action selector lever. In general, a large orbital action (III) should be used with soft materials and a small orbital action (0) should be used with hard materials. When a smooth cut is required no orbit (0) should be used. Recommended orbit settings for different material compositions are presented below. The optimum orbital action should be determined by the user for their specific cutting requirements. Orbital action may be adjusted when the tool is running or stopped.

Material	Orbital action
Wood	III
Metal	0
Plastic	I
Smooth Cut	0

Making the Cut

1. Set the stroke and orbital action according the material to be cut.
2. Position the tool with the front part of the shoe on the workpiece and switch on.
3. Hold the machine firmly against the workpiece and guide it along the desired cutting line. Do not feed into the work too hard, light pressure on the saw blade will achieve the optimum cutting speed.

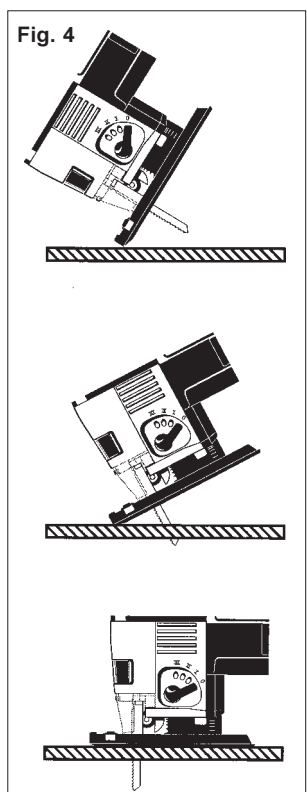
Special Cutting Techniques

1. *Straight cuts* — To obtain a perfectly straight cut, clamp a strip of wood as a guide along the workpiece or use the parallel guide (accessory).
2. *Cutting at a bevel angle* — adjust the shoe to the correct angle (see Adjusting the Shoe).
3. *Cutting close to obstacles* — move the shoe backward to provide greater clearance (see Adjusting the Shoe).
4. *Cutting Sheet Metal* — sheet metal may vibrate when being cut. To minimize this vibration clamp the workpiece to a wood base.

Plunge Cutting (Fig. 4)

These Jig Saws are well suited to making plunge cuts into soft materials without a pre-drilled hole. Harder materials require a starter hole with a diameter slightly over the width of the blade. To make a plunge cut:

1. Move the shoe all the way back.
2. Set the orbital action selector lever to 0.
3. Keep the power cord out of cutting area.
4. Make sure nothing below the intended cut area will be damaged.
5. Without switching the tool on, place the front edge of the shoe solidly on workpiece.
6. Align the blade with the intended cut line, but keep it above the workpiece.
7. Using the front edge of the shoe as a pivot, turn the tool on and gradually lower the blade into the workpiece.
8. When the shoe is firmly against the workpiece normal cutting may take place.



MAINTENANCE



WARNING!

To reduce the risk of injury, always unplug your tool before performing any maintenance. Never disassemble the tool or try to do any rewiring on the tool's electrical system. Contact a **MILWAUKEE** service facility for ALL repairs.

Maintaining Tools

Keep your tool in good repair by adopting a regular maintenance program. Before use, examine the general condition of your tool. Inspect guards, switches, tool cord set and extension cord for damage. Check for loose screws, misalignment, binding of moving parts, improper mounting, broken parts and any other condition that may affect its safe operation. If abnormal noise or vibration occurs, turn the tool off immediately and have the problem corrected before further use. Do not use a damaged tool. Tag damaged tools "DO NOT USE" until repaired (see "Repairs").

Under normal conditions, relubrication is not necessary until the motor brushes need to be replaced. After six months to one year, depending on use, return your tool to the nearest **MILWAUKEE** service facility for the following:

- Lubrication
- Brush inspection and replacement
- Mechanical inspection and cleaning (gears, spindles, bearings, housing, etc.)
- Electrical inspection (switch, cord, armature, etc.)
- Testing to assure proper mechanical and electrical operation



WARNING!

To reduce the risk of injury, electric shock and damage to the tool, never immerse your tool in liquid or allow a liquid to flow inside the tool.

Cleaning

Clean dust and debris from vents. Keep the tool handles clean, dry and free of oil or grease. Use only mild soap and a damp cloth to clean your tool since certain cleaning agents and solvents are harmful to plastics and other insulated parts. Some of these include: gasoline, turpentine, lacquer thinner, paint thinner, chlorinated cleaning solvents, ammonia and household detergents containing ammonia. Never use flammable or combustible solvents around tools.

Repairs

If your tool is damaged, return the entire tool to the nearest service center listed on the back cover of this operator's manual.

ACCESSORIES



WARNING!

To reduce the risk of injury, always unplug the tool before attaching or removing accessories. Use only specifically recommended accessories. Others may be hazardous.

For a complete listing of accessories refer to your **MILWAUKEE** Electric Tool catalog. To obtain a catalog, contact your local distributor or a service center listed on the back cover of this operator's manual.

WARRANTY

Every **MILWAUKEE** tool is thoroughly inspected and tested before leaving our manufacturing facilities. Should any trouble develop, return the complete tool prepaid to our Corporate Office, Branch Office/Service Center or nearest Authorized **MILWAUKEE** Service Station. If inspection shows the trouble is caused by defective workmanship or material, all repairs will be made without charge, and the tool will be returned, transportation prepaid. Battery packs for cordless tools are warranted for one year from the date of purchase.

This warranty does not apply where: (1) repairs or attempted repairs have been made by persons other than **MILWAUKEE** personnel or Authorized Service Station personnel; (2) repairs are required because of normal wear; (3) the tool has been abused or involved in an accident; (4) misuse is evident, such as caused by overloading the tool beyond its rated capacity; (5) the tool has been used after partial failure or (6) the tool has been used with an improper accessory. No other warranty, written or verbal, is authorized.

RÈGLES DE SÉCURITÉ GÉNÉRALES



AVERTISSEMENT!

VOUS DEVEZ LIRE ET COMPRENDRE TOUTES LES INSTRUCTIONS


Le non-respect, même partiel, des instructions ci-après entraîne un risque de choc électrique, d'incendie et/ou de blessures graves.

CONSERVEZ CES INSTRUCTIONS

AIRE DE TRAVAIL

1. Veillez à ce que l'aire de travail soit propre et bien éclairée. Le désordre et le manque de lumière favorisent les accidents.
2. **N'utilisez pas d'outils électriques dans une atmosphère explosive, par exemple en présence de liquides, de gaz ou de poussières inflammables.** Les outils électriques créent des étincelles qui pourraient enflammer les poussières ou les vapeurs.
3. **Tenez à distance les curieux, les enfants et les visiteurs pendant que vous travaillez avec un outil électrique.** Ils pourraient vous distraire et vous faire faire une fausse manoeuvre. Installez des barrières ou des écrans protecteurs si nécessaire.

SÉCURITÉ ÉLECTRIQUE

4. **Les outils mis à la terre doivent être branchés dans une prise de courant correctement installée et mise à la terre conformément à tous les codes et règlements pertinents. Ne modifiez jamais la fiche de quelque façon que ce soit, par exemple en enlevant la broche de mise à la terre. N'utilisez pas d'adaptateur de fiche. Si vous n'êtes pas certain que la prise de courant est correctement mise à la terre, adressez-vous à un électricien qualifié.** En cas de défaillance ou de défectuosité électrique de l'outil, une mise à la terre offre un trajet de faible résistance à l'électricité qui autrement risquerait de traverser l'utilisateur.
5. **Les outils à double isolation sont équipés d'une fiche polarisée (une des lames est plus large que l'autre), qui ne peut se brancher que d'une seule façon dans une prise polarisée. Si la fiche n'entre pas parfaitement dans la prise, inversez sa position ; si elle n'entre toujours pas bien, demandez à un électricien qualifié d'installer une prise de courant polarisée. Ne modifiez pas la fiche de l'outil.** La double isolation  élimine le besoin d'un cordon d'alimentation à trois fils avec mise à la terre ainsi que d'une prise de courant mise à la terre.
6. **Évitez tout contact corporel avec des surfaces mises à la terre (tuyauterie, radiateurs, cuisinières, réfrigérateurs, etc.).** Le risque de choc électrique est plus grand si votre corps est en contact avec la terre.
7. **N'exposez pas les outils électriques à la pluie ou à l'eau.** La présence d'eau dans un outil électrique augmente le risque de choc électrique.
8. **Ne maltraitez pas le cordon. Ne transportez pas l'outil par son cordon et ne débranchez pas la fiche en tirant sur le cordon. N'exposez pas le cordon à la chaleur, à des huiles, à des arêtes vives ou à des pièces en mouvement. Remplacez immédiatement un cordon endommagé. Un cordon endommagé augmente le risque de choc électrique.**
9. **Lorsque vous utilisez un outil électrique à l'extérieur, employez un prolongateur pour l'extérieur marqué « W-A » ou « W ».** Ces cordons sont faits pour être utilisés à l'extérieur et réduisent le risque de choc électrique.

SÉCURITÉ DES PERSONNES

10. **Restez alerte, concentrez-vous sur votre travail et faites preuve de jugement. N'utilisez pas un outil électrique si vous êtes fatigué ou sous l'influence de drogues, d'alcool ou de médicaments.** Un instant d'inattention suffit pour entraîner des blessures graves.
11. **Habillez-vous convenablement. Ne portez ni vêtements flottants ni bijoux. Confinez les cheveux longs. N'approchez jamais les cheveux, les vêtements ou les gants des pièces**

en mouvement. Des vêtements flottants, des bijoux ou des cheveux longs risquent d'être happés par des pièces en mouvement.

12. **Méfiez-vous d'un démarrage accidentel. Avant de brancher l'outil, assurez-vous que son interrupteur est sur ARRÊT.** Le fait de transporter un outil avec le doigt sur la détente ou de brancher un outil dont l'interrupteur est en position MARCHE peut mener tout droit à un accident.
13. **Enlevez les clés de réglage ou de serrage avant de démarrer l'outil.** Une clé laissée dans une pièce tournante de l'outil peut provoquer des blessures.
14. **Ne vous penchez pas trop en avant. Maintenez un bon appui et restez en équilibre en tout temps.** Une bonne stabilité vous permet de mieux réagir à une situation inattendue.
15. **Utilisez des accessoires de sécurité. Portez toujours des lunettes ou une visière.** Selon les conditions, portez aussi un masque antipoussière, des bottes de sécurité antidérapantes, un casque protecteur et/ou un appareil antibruit.

UTILISATION ET ENTRETIEN DES OUTILS

16. **Immobilisez le matériau sur une surface stable au moyen de brides ou de toute autre façon adéquate.** Le fait de tenir la pièce avec la main ou contre votre corps offre une stabilité insuffisante et peut amener un dérapage de l'outil.
17. **Ne forcez pas l'outil. Utilisez l'outil approprié à la tâche.** L'outil correct fonctionne mieux et de façon plus sécuritaire. Respectez aussi la vitesse de travail qui lui est propre.
18. **N'utilisez pas un outil si son interrupteur est bloqué.** Un outil que vous ne pouvez pas commander par son interrupteur est dangereux et doit être réparé.
19. **Débranchez la fiche de l'outil avant d'effectuer un réglage, de changer d'accessoire ou de ranger l'outil.** De telles mesures préventives de sécurité réduisent le risque de démarrage accidentel de l'outil.
20. **Rangez les outils hors de la portée des enfants et d'autres personnes inexpérimentées.** Les outils sont dangereux dans les mains d'utilisateurs novices.
21. **Prenez soin de bien entretenir les outils. Les outils de coupe doivent être toujours bien affûtés et propres.** Des outils bien entretenus, dont les arêtes sont bien tranchantes, sont moins susceptibles de coincer et plus faciles à diriger. N'utilisez pas un outil défectueux. Fixez-y une étiquette marquée « Hors d'usage » jusqu'à ce qu'il soit réparé.
22. **Soyez attentif à tout désalignement ou coincement des pièces en mouvement, à tout bris ou à toute autre condition préjudiciable au bon fonctionnement de l'outil. Si vous constatez qu'un outil est endommagé, faites-le réparer avant de vous en servir.** De nombreux accidents sont causés par des outils en mauvais état.
23. **N'utilisez que des accessoires que le fabricant recommande pour votre modèle d'outil.** Certains accessoires peuvent convenir à un outil, mais être dangereux avec un autre.





RÉPARATION

24. **La réparation des outils électriques doit être confiée à un réparateur qualifié.** L'entretien ou la réparation d'un outil électrique par un amateur peut avoir des conséquences graves.
25. **Pour la réparation d'un outil, n'employez que des pièces de rechange d'origine. Suivez les directives données à la section « Réparation » de ce manuel.** L'emploi de pièces non autorisées ou le non-respect des instructions d'entretien peut créer un risque de choc électrique ou de blessures.

RÈGLES DE SÉCURITÉ PARTICULIÈRE

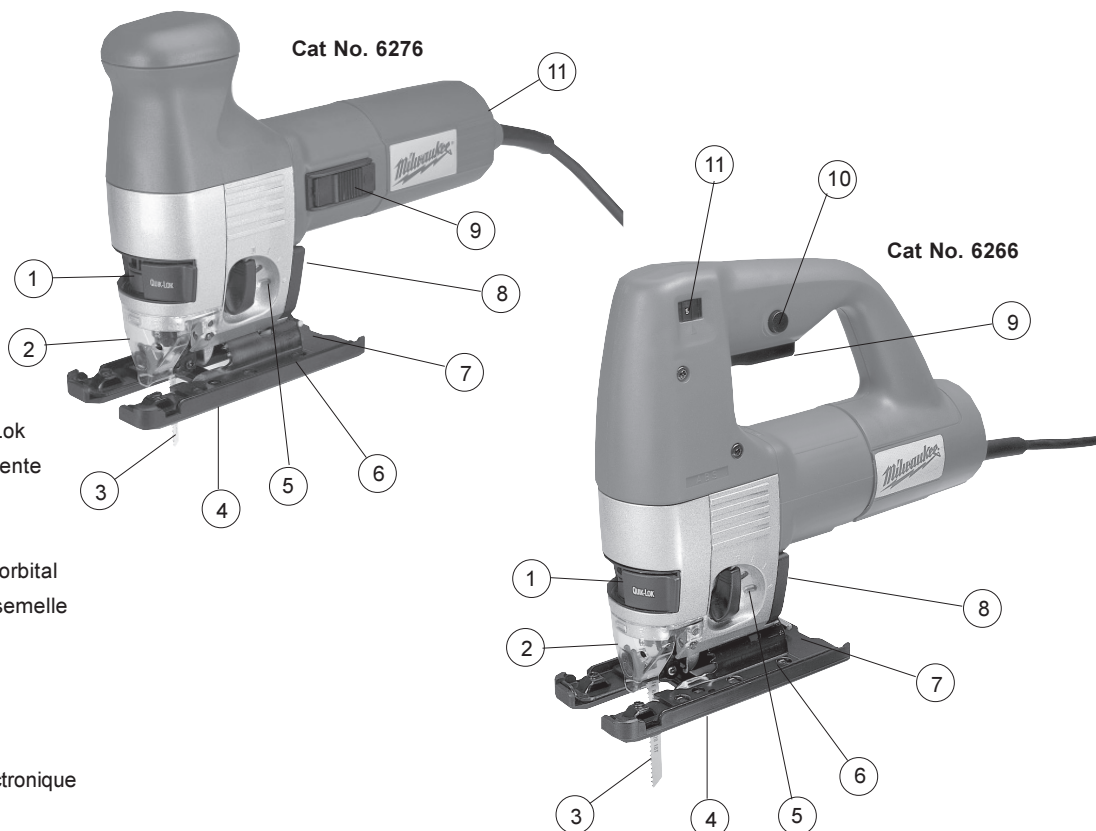
1. **Tenez l'outil par ses surfaces de prise isolées pendant toute opération où l'outil de coupe pourrait venir en contact avec un câblage dissimulé.** En cas de contact avec un conducteur sous tension, les pièces métalliques à découvert de l'outil transmettraient un choc électrique à l'utilisateur.
2. **Tenez les mains à l'écart des arêtes tranchantes et des pièces en mouvement.**
3. **Entretenez les étiquettes et marques di fabricant.** Les indications qu'elles contiennent sont précieuses. Si elles deviennent illisibles ou se détachent, faites-les remplacer gratuitement à un centre de service **MILWAUKEE** accrédité.
4. **AVERTISSEMENT!** La poussière dégagée par perçage, sciage et autres travaux de construction contient des substances chimiques reconnues comme pouvant causer le cancer, des malformations congénitales ou d'autres troubles de reproduction. Voici quelques exemples de telles substances :
 - Le plomb contenu dans la peinture au plomb.
 - Le silice cristallin contenu dans la brique, le béton et divers produits de maçonnerie.
 - L'arsenic et le chrome servant au traitement chimique du bois.

Les risques associés à l'exposition à ces substances varient, dépendant de la fréquence des travaux. Afin de minimiser l'exposition à ces substances chimiques, assurez-vous de travailler dans un endroit bien aéré et d'utiliser de l'équipement de sécurité tel un masque antipoussière spécifiquement conçu pour la filtration de particules microscopiques.

Pictographie	
	Double Isolation
	Courant alternatif ou direct
A	Ampères
n^oxxxx/min.	Tours-minute à vide (RPM)
	Underwriters Laboratories Inc.
	l'Association canadienne de normalisation (ACNOR)

Spécifications				
No de Cat.	Volts CA/CD	Ampères	Cycles par minute	Vide/ Coups/min à vide
6266	120	5,7	25,4mm(1")	450-3 100
6276	120	5,7	25,4mm(1")	450-3 100

DESCRIPTION FONCTIONNELLE



1. Levier de tension Quik-Lok
2. Chape de lame transparente
3. Lame
4. Semelle
5. Réglage du mouvement orbital
6. Échelle d'inclinaison de semelle
7. Clé Hex
8. Collecteur de sciure
9. Interrupteur On/Off
10. Bouton de verrouillage
11. Indicateur du contrôle électronique de vitesse

MISE À LA TERRE



Si le fil de mise à la terre est incorrectement raccordé, il peut en résulter des risques de choc électrique. Si vous n'êtes pas certain que la prise dont vous vous servez est correctement mise à la terre, faites-la vérifier par un électricien. N'altérez pas la fiche du cordon de l'outil. N'enlevez pas de la fiche, la dent qui sert à la mise à la terre. N'employez pas l'outil si le cordon ou la fiche sont en mauvais état. Si tel est le cas, faites-les réparer dans un centre-service **MILWAUKEE** accrédité avant de vous en servir. Si la fiche du cordon ne s'adapte pas à la prise, faites remplacer la prise par un électricien.

Outils mis à la terre :

Outils pourvus d'une fiche de cordon à trois dents

Les outils marqués « Mise à la terre requise » sont pourvus d'un cordon à trois fils dont la fiche a trois dents. La fiche du cordon doit être branchée sur une prise correctement mise à la terre (voir Figure A). De cette façon, si une défectuosité dans le circuit électrique de l'outil survient, le relais à la terre fournira un conducteur à faible résistance pour décharger le courant et protéger l'utilisateur contre les risques de choc électrique.

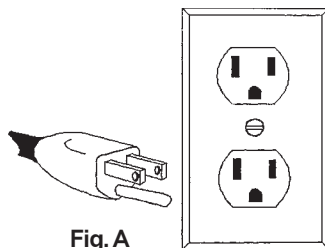


Fig. A

La dent de mise à la terre de la fiche est reliée au système de mise à la terre de l'outil via le fil vert du cordon. Le fil vert du cordon doit être le seul fil raccordé à un bout au système de mise à la terre de l'outil et son autre extrémité ne doit jamais être raccordée à une borne sous tension électrique.

Votre outil doit être branché sur une prise appropriée, correctement installée et mise à la terre conformément aux codes et ordonnances en vigueur. La fiche du cordon et la prise de courant doivent être semblables à celles de la Figure A.

Outils à double isolation :

Outils pourvus d'une fiche de cordon à deux dents

Les outils marqués « Double Isolation » n'ont pas besoin d'être raccordés à la terre. Ils sont pourvus d'une double isolation conforme aux exigences de l'OSHA et satisfont aux normes de l'Underwriters Laboratories, Inc., de l'Association canadienne de normalisation (ACNOR) et du « National Electrical Code » (code national de l'électricité). Les outils à double isolation peuvent être branchés sur n'importe laquelle des prises à 120 volt illustrées ci-contre Figure B et C.

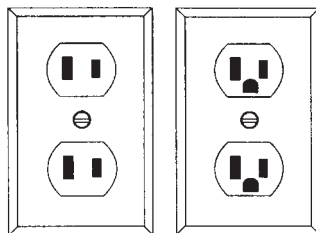


Fig. B

Fig. C

CORDONS DE RALLONGE

Si l'emploi d'un cordon de rallonge est nécessaire, un cordon à trois fils doit être employé pour les outils mis à la terre. Pour les outils à double isolation, on peut employer indifféremment un cordon de rallonge à deux ou trois fils. Plus la longueur du cordon entre l'outil et la prise de courant est grande, plus le calibre du cordon doit être élevé. L'utilisation d'un cordon de rallonge incorrectement calibré entraîne une chute de voltage résultant en une perte de puissance qui risque de détériorer l'outil. Reportez-vous au tableau ci-contre pour déterminer le calibre minimum du cordon.

Moins le calibre du fil est élevé, plus sa conductivité est bonne. Par exemple, un cordon de calibre 14 a une meilleure conductivité qu'un cordon de calibre 16. Lorsque vous utilisez plus d'une rallonge pour couvrir la distance, assurez-vous que chaque cordon possède le calibre minimum requis. Si vous utilisez un seul cordon pour brancher plusieurs outils, additionnez le chiffre d'intensité (ampères) inscrit sur la fiche signalétique de chaque outil pour obtenir le calibre minimal requis pour le cordon.

Directives pour l'emploi des cordons de rallonge

- Si vous utilisez une rallonge à l'extérieur, assurez-vous qu'elle est marquée des sigles « W-A » (« W » au Canada) indiquant qu'elle est adéquate pour usage extérieur.
- Assurez-vous que le cordon de rallonge est correctement câblé et en bonne condition. Remplacez tout cordon de rallonge détérioré ou faites-le remettre en état par une personne compétente avant de vous en servir.
- Tenez votre cordon de rallonge à l'écart des objets tranchants, des sources de grande chaleur et des endroits humides ou mouillés.

Calibres minimaux recommandés pour les cordons de rallonge*

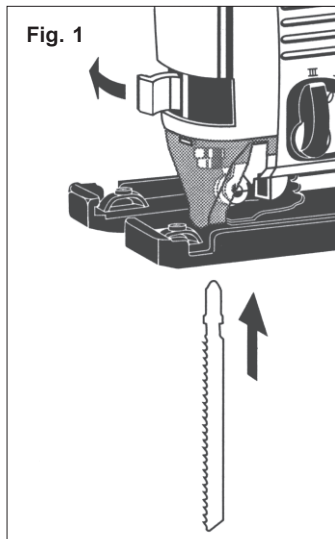
Fiche signalétique Ampères	Longueur du cordon de rallonge (m)					
	7,6	15,2	22,8	30,4	45,7	60,9
0 - 5,0	16	16	16	14	12	12
5,1 - 8,0	16	16	14	12	10	--
8,1 - 12,0	14	14	12	10	--	--
12,1 - 15,0	12	12	10	10	--	--
15,1 - 20,0	10	10	10	--	--	--

* Basé sur une chute de voltage limite de 5 volts à 150% de l'intensité moyenne de courant.

**LISEZ ATTENTIVEMENT CES INSTRUCTIONS
ET CONSERVEZ-LES POUR LES
CONSULTER AU BESOIN.**

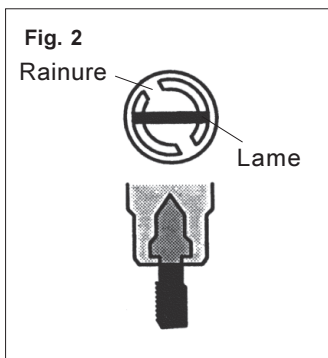
AVERTISSEMENT!

Pour réduire les risques de blessures, débranchez toujours l'outil avant d'y faire des réglages, d'y attacher ou d'en enlever les accessoires. L'usage d'accessoires autres que ceux qui sont spécifiquement recommandés pour cet outil peut comporter des risques.



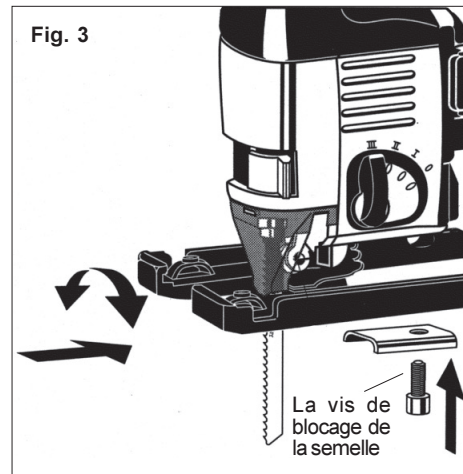
Insertion de la lame de scie

1. Débranchez l'outil avant d'y insérer la lame ou de la remplacer.
2. Poussez le levier de tension Quik-Lok aussi loin que possible et maintenez-le en place.
3. Insérez la lame dans la rainure du galet d'appui et poussez-la fermement dans le piston aussi loin que possible. Le talon de la lame doit être inséré dans le piston.
4. Relâchez le levier de tension Quik-Lok et la lame sera maintenue en place automatiquement.
5. Assurez-vous que la lame soit bien fixée. La rainure dans le piston devra être à angle droit de la lame tel qu'indiqué à l'illustration 2. Le levier de tension Quik-Lok ne doit pas être manipulé si la commande de l'outil n'est pas à la position OFF.



Réglage de la semelle (Fig. 3)

La semelle peut être inclinée jusqu'à 45° d'un côté comme de l'autre. Elle peut aussi être poussée vers l'avant ou l'arrière.



1. **Choix de l'inclinaison pour les coupes à angle et les biseaux**, desserrez la vis de blocage de la semelle, poussez la base légèrement vers l'arrière jusqu'à ce que les crans se dégagent. Inclinez la semelle à l'angle de réglage choisi de 15°, 30° ou 45° indiqué à l'échelle. Remplacez la base dans ses crans et serrez la vis de blocage. Si des angles différents de ceux qui figurent à l'échelle sont requis, inclinez la semelle à l'angle requis et serrez la vis de blocage sans replacer la base dans ses crans.

Si un angle très précis est requis, il est recommandé d'effectuer une coupe d'essai et de revoir le réglage, si nécessaire.

2. **Déplacement de la semelle vers l'arrière les coupes en plongée ou en coin**, desserrez la vis de blocage de la semelle et poussez la semelle complètement vers l'arrière. La vis pourra alors s'engager dans une rainure pour maintenir la semelle à la position 0°.

Emploi du couvre-semelle protecteur

Le couvre-semelle extra lisse protège contre les égratignures et les marques de friction à la surface des matériaux. Pour le fixer à l'outil, agrafez-en l'avant sur la semelle d'acier de l'outil. Ensuite, rabattez les pattes arrière sur la semelle de l'outil. Assurez-vous que les pattes des deux côtés du couvre-semelle sont rabattues en place.

Lorsque le couvre-semelle n'est pas requis, retirez-le de la semelle en relevant d'abord les deux pattes arrière pour ensuite en dégrafer l'avant et l'écarter de la semelle.



AVERTISSEMENT!

Pour minimiser les risques de blessures, portez des lunettes à coques latérales. Débranchez l'outil avant de changer les accessoires ou d'effectuer des réglages.

La scie sauteuse 6266 et 6276 à mouvement orbital peut couper une grande variété de matériaux y compris les bois, métaux et plastiques. Les coupes peuvent être droites, en biseau ou en découpage. Les caractéristiques remarquables de cette scie sauteuse comprennent:

- Changement de lame rapide sans l'aide d'outils, grâce au système de changement de lame Quik-Lok.
- Le mouvement orbital réglable de la lame assure une coupe plus rapide car la lame mord dans le matériau en remontant seulement. Cette technique est particulièrement utile pour dégrossir les planches de bois.
- Rétroaction électronique de l'indicateur de vitesse pour maintenir la vitesse de coupe préréglée.
- Semelle inclinable à 45° des deux côtés pour les coupes en biseau.
- Couvre-semelle protecteur pour éviter d'égratigner la surface des matériaux.
- Ventilateur pour écarter la sciure et améliorer la visibilité de la ligne de coupe.
- Collecteur intégré pour l'installation d'un aspirateur de poussière. (Boyau facultatif).
- Chape de lame transparente facilitant l'évacuation de la sciure.
- Mécanisme antivibration assurant un roulement plus doux et plus silencieux.

Démarrage et arrêt de l'outil

Modèle No 6266

1. Pour mettre l'outil en marche, appuyez sur la détente d'interrupteur «ON/OFF».
2. Pour arrêter l'outil, relâchez la détente d'interrupteur «ON/OFF».

Modèle No 6276

1. Pour mettre l'outil en marche, poussez l'interrupteur «ON/OFF» en avant pour que la lettre I apparaisse.
2. Pour arrêter l'outil, poussez l'interrupteur «ON/OFF» vers l'arrière pour que la lettre O apparaisse.

Verrouillage de la détente d'interrupteur «ON/OFF»

Le bouton de verrouillage maintient la détente d'interrupteur à la position ON en marche continue (modèle 6266 seulement).

1. Pour verrouiller la détente d'interrupteur «ON/OFF», appuyez sur le bouton de verrouillage et en même temps, enfoncez la détente d'interrupteur puis relâchez-la.
2. Pour déverrouiller la détente d'interrupteur «ON/OFF», appuyez sur la détente et relâchez-la vivement. Le bouton de verrouillage va alors se déclencher.

Réglage de fréquence des cycles/min.

La fréquence des cycles par minute peut être réglée à l'aide de l'indicateur de vitesse. Les chiffres de 1 à 7 sont imprimés sur l'indicateur. Le chiffre 1 correspond à la vitesse minimale tandis que le chiffre 7 indique la vitesse maximale. Les vitesses de coupe recommandées pour divers matériaux sont indiquées ci-dessous. La vitesse de coupe idéale devrait être déterminée par l'utilisateur selon les tâches spécifiques.

Bois	7
Métal	4-5
Plastique	2

Réglage du mouvement orbital

L'ampleur du mouvement orbital peut être réglée à l'aide du levier sélecteur. En général, un mouvement orbital ample (III) est recommandé pour les matériaux mous, tandis qu'un mouvement orbital restreint (0) convient aux matériaux durs. Si une coupe lisse est requise, il faut employer le réglage (0) à mouvement orbital restreint. Les réglages du mouvement orbital recommandables pour divers matériaux sont présentés ci-dessous. Le mouvement orbital idéal devrait être déterminé par l'utilisateur selon les tâches spécifiques. Le mouvement orbital peut être réglé même si l'outil est en marche.

Bois	III	Métal	0
Plastique	I	Coupe lisse	0

Pour faire la coupe

1. Réglez la fréquence des cycles et le mouvement orbital selon le matériau à couper.
2. Placez la partie avant de la semelle sur le matériau et mettez l'outil en marche.
3. Tenez l'outil fermement sur le matériau et guidez-le sur la ligne de coupe. Ne forcez pas trop l'outil dans le matériau, une pression légère sur la lame assurera la vitesse de coupe optimale.

Techniques de coupe spéciales

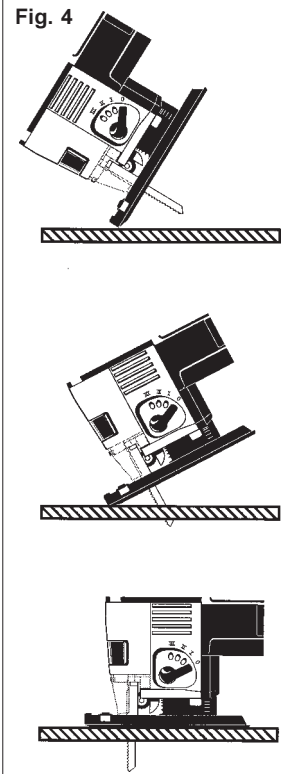
1. *Coupes rectilignes* — Pour réussir des coupes parfaitement droites, fixez une languette de bois sur le matériau pour vous en servir comme guide ou utilisez un guide-coupe parallèle (en accessoire).
2. *Coupe en biseau* — Ajustez la semelle à l'angle voulu (voir Réglage de la semelle).
3. *Coupe près des obstacles* — Poussez la semelle vers l'arrière afin d'augmenter la maniabilité de la lame (voir Réglage de la semelle).
4. *Coupe de tôle* — Le métal en feuille peut vibrer durant la coupe. Pour minimiser la vibration, fixez la feuille de tôle sur une base en bois.

Coupe en plongée (Fig. 4)

Les scies sauteuses MILWAUKEE 6266 et 6276 sont idéales pour faire des coupes en plongée dans les matériaux mous, sans qu'il soit nécessaire de percer un trou-guide. Cependant, pour les matériaux durs, il est nécessaire de percer un trou-guide d'un diamètre légèrement supérieur à la largeur de la lame. Pour réussir une coupe en plongée:

1. Poussez la semelle de la scie complètement vers l'arrière.
2. Réglez le mouvement orbital à la position 0.
3. Tenez le cordon de l'outil hors de la ligne de coupe.
4. Assurez-vous que rien ne pourra être endommagé par la lame sous la surface du matériau.
5. Avant de mettre l'outil en marche, posez fermement le bord avant de la semelle de la scie sur le matériau.
6. Alignez la lame sur la ligne de coupe mais maintenez-la au-dessus du matériau.
7. En vous servant du bord avant de la semelle comme appui, pressez sur la détente et abaissez graduellement la lame dans le matériau.
8. Lorsque la semelle sera rendue fermement à plat sur le matériau, continuez la coupe de façon normale.

Fig. 4



MAINTENANCE



AVERTISSEMENT!

Pour minimiser les risques de blessures, débranchez toujours l'outil avant d'y effectuer des travaux de maintenance. Ne faites pas vous-même le démontage de l'outil ni le rebobinage du système électrique. Consultez un centre de service **MILWAUKEE** accrédité pour toutes les réparations.

Entretien de l'outil

Gardez l'outil en bon état en adoptant un programme d'entretien ponctuel. Avant de vous en servir, examinez son état en général. Inspectez-en la garde, interrupteur, cordon et cordon de rallonge pour en déceler les défauts. Vérifiez le serrage des vis, l'alignement et le jeu des pièces mobiles, les vices de montage, bris de pièces et toute autre condition pouvant en rendre le fonctionnement dangereux. Si un bruit ou une vibration insolite survient, arrêtez immédiatement l'outil et faites-le vérifier avant de vous en servir de nouveau. N'utilisez pas un outil défectueux. Fixez-y une étiquette marquée « HORS D'USAGE » jusqu'à ce qu'il soit réparé (voir « Réparations »).

Normalement, il ne sera pas nécessaire de lubrifier l'outil avant que le temps ne soit venu de remplacer les balais. Après une période pouvant aller de 6 mois à un an, selon l'usage, retournez votre outil à un centre de service **MILWAUKEE** accrédité pour obtenir les services suivants :

- Lubrification
- Inspection et remplacement des balais
- Inspection et nettoyage de la mécanique (engrenages, pivots, coussinets, boîtier etc.)
- Inspection électrique (interrupteur, cordon, induit etc.)
- Vérification du fonctionnement électromécanique



AVERTISSEMENT!

Pour minimiser les risques de blessures, choc électrique et dommage à l'outil, n'immergez jamais l'outil et ne laissez pas de liquide s'y infiltrer.

Nettoyage

Débarrassez les événements des débris et de la poussière. Gardez les poignées de l'outil propres, à sec et exemptes d'huile ou de graisse. Le nettoyage de l'outil doit se faire avec un linge humide et un savon doux. Certains nettoyeurs tels l'essence, la térébenthine, les diluants à laque ou à peinture, les solvants chlorés, l'ammoniaque et les détergents d'usage domestique qui en contiennent pourraient détériorer le plastique et l'isolation des pièces. Ne laissez jamais de solvants inflammables ou combustibles auprès des outils.

Réparations

Si votre outil doit être réparé, retournez-le en entier au centre-service le plus près selon la liste apparaissant à la dernière page de ce manuel.

ACCESSOIRES



AVERTISSEMENT!

Pour minimiser les risques de blessures, débranchez toujours l'outil avant d'y installer ou d'en enlever les accessoires. L'emploi d'accessoires autres que ceux qui sont expressément recommandés pour cet outil peut présenter des risques.

Pour une liste complète des accessoires, prière de se reporter au catalogue **MILWAUKEE** Electric Tool. Pour obtenir un catalogue, il suffit de contacter votre distributeur local ou l'un des centres-service énumérés sur la page de couverture de ce manuel.

GARANTIE

Chaque outil fabriqué par **MILWAUKEE** est minutieusement vérifié avant de quitter l'usine. S'il survient un trouble, retournez l'outil port payé au siège social de la compagnie ou à une succursale ou un centre de service **MILWAUKEE** accrédité. Si l'examen de l'outil démontre que le trouble est dû à un défaut de fabrication ou de matériaux, les réparations seront effectuées gratuitement et l'outil vous sera retourné aux frais de la compagnie. Les batteries servant aux outils sans cordon sont garanties pour un an à compter de la date d'achat.

La présente garantie ne s'applique pas dans les cas suivants : (1) Des réparations ont été effectuées ou tentées par d'autres personnes que des techniciens mandatés par **MILWAUKEE** ou ses centres de service accrédités. (2) Les réparations sont rendues nécessaires par l'usure normale de l'outil. (3) L'outil a été employé abusivement ou a été endommagé accidentellement. (4) L'usage anormal ou la surcharge de l'outil sont évidents. (5) L'outil a été utilisé après une défaillance partielle. (6) L'outil a été employé avec un accessoire non compatible. Nulle autre garantie, tant écrite que verbale, n'est valable.

REGLAS GENERALES DE SEGURIDAD



¡ADVERTENCIA!

LEA Y ENTIENDA TODAS LAS INSTRUCCIONES


El no seguir las instrucciones a continuación puede ocasionar una descarga eléctrica, incendio y/o lesiones graves.

GUARDE ESTAS INSTRUCCIONES

AREA DE TRABAJO

1. **Mantenga el área de trabajo limpia e iluminada.** Las mesas de trabajo desordenadas y las áreas con poca iluminación propician los accidentes.
2. **No opere las herramientas con motor en ambientes explosivos, tales como los ambientes con líquidos, gases o polvo inflamables.** Las herramientas con motor producen chispas que pueden inflamar el polvo o los gases.
3. **Mantenga a las personas alejadas mientras esté utilizando una herramienta con motor.** Las distracciones pueden causar la pérdida del control de la herramienta. Proteja a las demás personas en el área de trabajo contra escombros, tales como astillas y chispas. Instale barreras si se necesitan.

SEGURIDAD ELECTRICA

4. **Las herramientas conectadas a tierra deben estar enchufadas en una toma corriente que esté instalado correctamente y conectado a tierra de acuerdo con todos los códigos y ordenanzas vigentes. Nunca retire la clavija de conexión a tierra o modifique el enchufe de ninguna manera. No use enchufes adaptadores. Consulte a un electricista capacitado si tiene dudas para asegurar que el tomacorriente esté correctamente conectado a tierra.** Si las herramientas sufren fallas eléctricas, la conexión a tierra proporciona una trayectoria de baja resistencia para que el usuario no quede expuesto a la electricidad.
5. **Las herramientas con aislamiento doble están equipadas con un enchufe polarizado (una clavija es más ancha que la otra). Hay una sola manera de introducir este enchufe en una toma polarizada. Si el enchufe no se ajusta completamente en la toma, dé vuelta el enchufe. Si el problema persiste, póngase en contacto con un electricista calificado para que instale una toma polarizada. No cambie la toma de ninguna manera. El aislamiento doble  elimina la necesidad de un cable de energía con conexión a tierra con 3 alambres y la de un sistema de suministro de energía con conexión a tierra.**
6. **Evite contacto físico con las superficies conectadas a tierra, tales como tuberías, radiadores, cocinas y refrigeradores.** Existe un riesgo de un choque eléctrico mayor si su cuerpo está expuesto a tierra.
7. **No exponga las herramientas eléctricas a condiciones de lluvia o humedad.** El agua que entra en una herramienta eléctrica aumentará el riesgo de choque eléctrico.
8. **No maltrate el cable. Nunca use el cable para transportar las herramientas ni para sacar el enchufe de la toma eléctrica. Mantenga el cable lejos de calefacción, petróleo, bordes afilados o cualquier parte movable. Reemplace inmediatamente cualquier cable dañado.** Los cables dañados aumentan el riesgo de choque eléctrico.
9. **Al operar una herramienta eléctrica a la intemperie, use un cordón de extensión para la intemperie marcado "W-A" o "W".** Estos cordones están aprobados para usos exteriores y reducen el riesgo del choque eléctrico.

SEGURIDAD PERSONAL

10. **Esté alerta. Revise su trabajo y use el sentido común. No opere su herramienta cuando esté cansado, distraído o bajo la influencia de drogas alcohol o medicamentos.** Un momento de descuido cuando operando una herramienta eléctrica puede resultar en lesiones graves.
11. **Utilice ropa adecuada.** No use ropa suelta o joyas. Mantenga el cabello largo, ropa y guantes alejados de las partes móviles.

12. **Evite los arranques accidentales.** Verifique que el interruptor esté apagado antes de enchufar la herramienta. Transportar la herramienta por el gatillo o enchufarla con el interruptor encendido puede ocasionar accidentes.
13. **Saque las llaves de ajuste antes de encender la herramienta.** Una llave sujeta a una parte en movimiento puede causar lesiones.
14. **No se esfuerce, mantenga el control y el balance en todo momento.** Mantenga siempre una postura y un balance adecuados. Una postura y un balance correctos otorga un mejor control ante situaciones inesperadas.
15. **Utilice el equipo de seguridad. Siempre use protección para los ojos.** Se debe usar una máscara contra el polvo, zapatos de seguridad antidelizantes, casco y protector para los oídos, cuando las condiciones así lo requieran.

USO Y MANTENIMIENTO DE LA HERRAMIENTA

16. **Utilice abrazaderas u otra manera práctica para sujetar y apoyar el material en una plataforma estable.** Tener el material en la mano o contra el cuerpo es inestable y puede causar la pérdida del control.
17. **No fuerce la herramienta. Utilice la herramienta apropiada para la aplicación.** La herramienta realizará el trabajo de manera más eficaz y segura, si la opera a la velocidad apropiada.
18. **Si el gatillo no enciende o apaga la herramienta, no utilice la herramienta.** Una herramienta que no se puede controlar con el gatillo es peligrosa y debe ser reparada.
19. **Desconecte el enchufe de la fuente de energía antes de realizar cualquier ajuste, cambiar los accesorios o almacenar la herramienta.** Tales medidas precautorias de seguridad reducen el riesgo de encender la herramienta accidentalmente.
20. **Almacene las herramientas que no se estén usando fuera del alcance de los niños y de personas que no estén capacitadas.** Es peligroso permitir a los usuarios utilizar las herramientas, si no están capacitados previamente.
21. **Mantenga las herramientas en buenas condiciones. Las herramientas cortadoras deben mantenerse afiladas y limpias.** Esto reduce el riesgo de que la herramienta se atasque y facilita el control de la misma. No utilice una herramienta dañada. Colóquele una etiqueta que diga "No Debe Usarse" hasta que sea reparada.
22. **Verifique que las partes en movimiento estén alineadas y no estén atascadas. También debe verificarse que las partes no estén rotas o tengan cualquier otra condición que pueda afectar el funcionamiento de la herramienta. Si está dañada, se debe reparar la herramienta antes de utilizarla.** Muchos accidentes se deben al mantenimiento incorrecto de la herramienta.
23. **Utilice solamente los accesorios recomendados por el fabricante para ese modelo.** Los accesorios que son apropiados para una herramienta pueden aumentar el riesgo de lesiones cuando se usan con otra herramienta.

SERVICIO





24. **El servicio de mantenimiento debe ser realizado solamente por personal técnico debidamente capacitado.** El servicio o mantenimiento realizado por personal no calificado puede aumentar el riesgo de lesiones.
25. **Cuando realice el servicio de mantenimiento, utilice solamente repuestos idénticos. Siga las instrucciones en la sección de mantenimiento de este manual.** El uso de partes no autorizadas o el incumplimiento de las instrucciones de mantenimiento puede aumentar el riesgo de descarga eléctrica o lesiones.

REGLAS ESPECIFICAS DE SEGURIDAD

1. **Al realizar una operación donde la herramienta de corte puede tener contacto con un alambre escondido o su propio cablek tome la herramienta por las superficies aisladas de agarre.** El contacto con un alambre "con corriente" hará que las partes ezsuestas.
2. **Mantenga las manos alejadas de todos los bordes cortadores y partes en movimiento.**
3. **Guarde las etiquetas y placas de especificaciones.** Estas tienen información importante. Si son ilegibles o si no se pueden encontrar, póngase en contacto con un centro de servicio de **MILWAUKEE** para una refacción gratis.
4. **¡ADVERTENCIA!** Algunas partículas de polvo resultantes del lijado mecánico, aserrado, esmerilado, taladrado y otras actividades relacionadas a la construcción, contienen sustancias químicas que se saben ocasionan cáncer, defectos congénitos u otros daños al aparato reproductivo. A continuación se citan algunos ejemplos de tales sustancias químicas:
 - plomo proveniente de pinturas con base de plomo
 - sílice cristalino proveniente de ladrillos, cemento y otros productos de albañilería y
 - arsénico y cromo provenientes de madera químicamente tratada.

El riesgo que usted sufre debido a la exposición varía dependiendo de la frecuencia con la que usted realiza estas tareas. Para reducir la exposición a estas sustancias químicas: trabaje en un área bien ventilada, y utilice equipo de seguridad aprobado como, por ejemplo, máscaras contra el polvo que hayan sido específicamente diseñadas para filtrar partículas microscópicas.

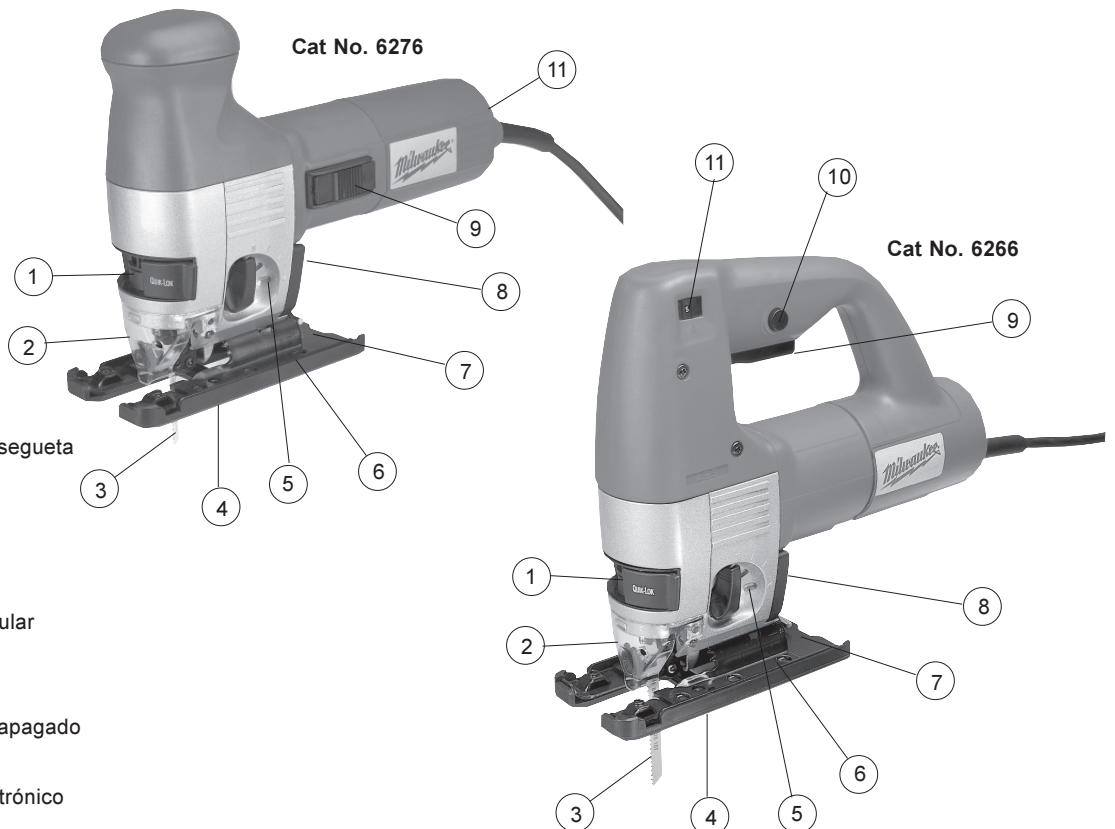
Simbología

	Doble aislamiento
	Volts corriente alterna/ corriente directa
A	Amperios
$n_{o} \text{xxx} / \text{min.}$	No de revoluciones de carga por minuto (RPM)
	Underwriters Laboratories, Inc.
	Asociación de Normas Canadiense

Especificaciones

Catálogo no.	Volts ca/cd	Amperios	Carrera	Largo de Carrera
6266	120	5,7	25,4mm(1")	450-3 100
6276	120	5,7	25,4mm(1")	450-3 100

DESCRIPCION FUNCIONAL



1. Palanca de fijación de la segueta
2. Cubierta transparente
3. Segueta
4. Zapata
5. Placa base
6. Selector de carrera pendular
7. Llave Hexagonal
8. Canal de aspiración
9. Interruptor de encendido/apagado
10. Botón de enclavamiento
11. Control de velocidad electrónico

TIERRA



¡ADVERTENCIA!

Puede haber riesgo de descarga eléctrica si se conecta el cable de conexión de puesta a tierra incorrectamente. Consulte con un electricista certificado si tiene dudas respecto a la conexión de puesta a tierra del tomacorriente. No modifique el enchufe que se proporciona con la herramienta. Nunca retire la clavija de conexión de puesta a tierra del enchufe. No use la herramienta si el cable o el enchufe está dañado. Si está dañado antes de usarlo, llévelo a un centro de servicio **MILWAUKEE** para que lo reparen. Si el enchufe no se acopla al tomacorriente, haga que un electricista certificado instale un tomacorriente adecuado.

Herramientas con conexión a tierra:

Herramientas con enchufes de tres clavijas

Las herramientas marcadas con la frase "Se requiere conexión de puesta a tierra" tienen un cable de tres hilos y enchufes de conexión de puesta a tierra de tres clavijas. El enchufe debe conectarse a un tomacorriente debidamente conectado a tierra (véase la Figura A). Si la herramienta se averiara o no funcionara correctamente, la conexión de puesta a tierra proporciona un trayecto de baja resistencia para desviar la corriente eléctrica de la trayectoria del usuario, reduciendo de este modo el riesgo de descarga eléctrica.

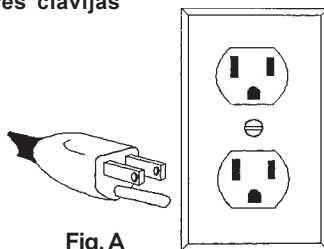


Fig. A

La clavija de conexión de puesta a tierra en el enchufe está conectada al sistema de conexión de puesta a tierra de la herramienta a través del hilo verde dentro del cable. El hilo verde debe ser el único hilo conectado al sistema de conexión de puesta a tierra de la herramienta y nunca se debe unir a una terminal energizada.

Su herramienta debe estar enchufada en un tomacorriente apropiado, correctamente instalado y conectado a tierra según todos los códigos y reglamentos. El enchufe y el tomacorriente deben asemejarse a los de la Figura A.

Herramientas con doble aislamiento:

Herramientas con clavijas de dos patas

Las herramientas marcadas con "Doble aislamiento" no requieren conectarse "a tierra". Estas herramientas tienen un sistema aislante que satisface los estándares de OSHA y llena los estándares aplicables de UL (Underwriters Laboratories), de la Asociación Canadiense de Estándares (CSA) y el Código Nacional de Electricidad. Las herramientas con doble aislamiento pueden ser usadas en cualquiera de los toma corriente de 120 Volt mostrados en las Figuras B y C.

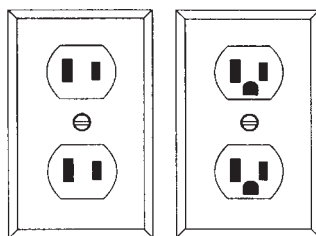


Fig. B

Fig. C

EXTENSIONES ELÉCTRICAS

Las herramientas que deben conectarse a tierra cuentan con clavijas de tres patas y requieren que las extensiones que se utilicen con ellas sean también de tres cables. Las herramientas con doble aislamiento y clavijas de dos patas pueden utilizarse indistintamente con extensiones de dos a tres cables. El calibre de la extensión depende de la distancia que exista entre la toma de la corriente y el sitio donde se utilice la herramienta. El uso de extensiones inadecuadas puede causar serias caídas en el voltaje, resultando en pérdida de potencia y posible daño a la herramienta. La tabla que aquí se ilustra sirve de guía para la adecuada selección de la extensión.

Mientras menor sea el número del calibre del cable, mayor será la capacidad del mismo. Por ejemplo, un cable calibre 14 puede transportar una corriente mayor que un cable calibre 16. Cuando use mas de una extensión para lograr el largo deseado, asegúrese que cada una tenga al menos, el mínimo tamaño de cable requerido. Si está usando un cable de extensión para mas de una herramienta, sume los amperes de las varias placas y use la suma para determinar el tamaño mínimo del cable de extensión.

Guías para el uso de cables de extensión

- Si está usando un cable de extensión en sitios al aire libre, asegúrese que está marcado con el sufijo "W-A" ("W" en Canadá) el cual indica que puede ser usado al aire libre.
- Asegúrese que su cable de extensión está correctamente cableado y en buenas condiciones eléctricas. Cambie siempre una extensión dañada o hágala reparar por una persona calificada antes de volver a usarla.
- Proteja su extensión eléctrica de objetos cortantes, calor excesivo o áreas mojadas.

Calibre mínimo recomendado para cables de extensiones eléctricas*

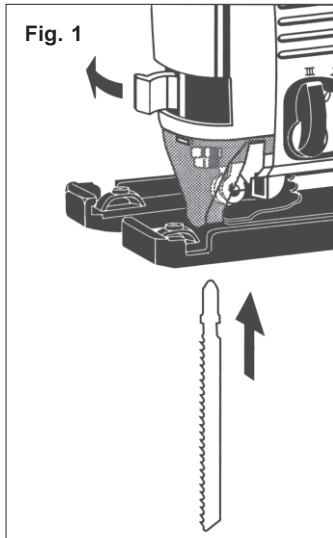
Amperes (En la placa)	Largo de cable de Extensión en(m)					
	7,6	15,2	22,8	30,4	45,7	60,9
0 - 5,0	16	16	16	14	12	12
5,1 - 8,0	16	16	14	12	10	--
8,1 - 12,0	14	14	12	10	--	--
12,1 - 15,0	12	12	10	10	--	--
15,1 - 20,0	10	10	10	--	--	--

* Basado en limitar la caída en el voltaje a 5 volts al 150% de los amperes.

LEA Y GUARDE TODAS LAS INSTRUCCIONES PARA FUTURAS REFERENCIAS.

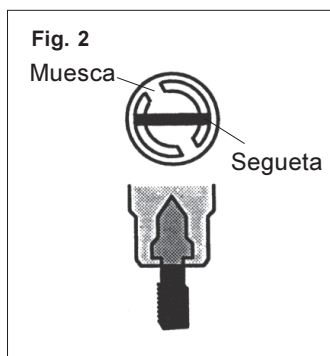
¡ADVERTENCIA!

Para reducir el riesgo de lesiones, desconecte siempre la herramienta antes de fijar o retirar accesorios, o antes de efectuar ajustes. Utilice sólo los accesorios específicamente recomendados. El uso de otros accesorios puede ser peligroso.



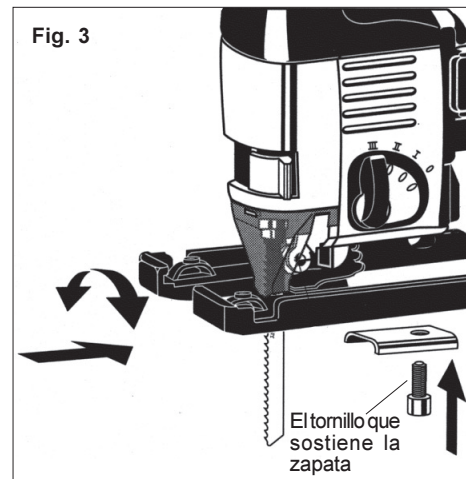
Colocación de la segueta

1. Desconecte la herramienta antes de insertar o cambiar la segueta.
2. Empuje la palanca tensora Quik-Lok tanto como pueda y sosténgala en posición tal como se muestra en la ilustración 2.
3. Coloque la segueta dentro de la canal en el rodillo de soporte y empújela firmemente dentro del sujetador tanto como sea posible; La entrada de la segueta debe quedar en el sujetador (vea la ilustración 1).
4. Libere la palanca tensora Quik-Lok y la segueta quedará automáticamente sujeta.
5. Verifique que la segueta esté sujeta firmemente; la muesca en el sujetador estará en un ángulo con relación a la segueta, como el que se muestra en la ilustración 2.



Ajustando la zapata (Fig. 3)

La zapata puede girarse hasta 45° en ambas direcciones y además puede moverse hacia adelante o atrás.



1. **Al fijar la zapata para realizar cortes en ángulo**, afloje el tornillo que sostiene la zapata, jale ligeramente la base hacia adelante, hasta que las muescas de retención ya no actúen. Coloque la zapata en el ángulo prefijado deseado (15°, 30° o 45°) como lo marca la graduación. Empuje hacia atrás, hacia las muescas de retención para que actúen, y apriete el tornillo. Si se desean ángulos diferentes a los prefijados, coloque dicho ángulo y apriete el tornillo sin que actúen las muescas de retención.

Si se requieren ángulos muy exactos, se recomienda hacer cortes de prueba y hacer los ajustes necesarios.

2. **Para mover la zapata hacia atrás para cortes interiores, resagues o cortes en las esquinas**, afloje el tornillo que sujeta la zapata y corra la zapata hasta atrás. El tornillo entrará en una muesca y mantendrá la zapata a 0°.

Uso de la cubierta para zapata

La cubierta para zapata se usa para evitar que la superficie de la pieza de trabajo se estropee o se raye. Para fijar la cubierta para zapata, enganche el frente de la misma sobre el zapata de acero; en seguida jale la parte de atrás de la cubierta y engánchela en la zapata de acero. Asegúrese de que ambos lados de la cubierta se encuentren bien colocados.

Cuando no se necesite la cubierta, retírela jalando hacia afuera las lengüetas de la parte de atrás de la misma y separándola de la zapata de acero. Desenganche el frente de la cubierta y retírela.



¡ADVERTENCIA!

Para reducir el riesgo de lesiones, use siempre lentes de seguridad o anteojos con protectores laterales. Desconecte la herramienta antes de cambiar algún accesorio o de hacerle algún ajuste.

La Sierra Caladora con acción orbital 6266 y 6276 puede cortar una gran variedad de materiales incluyendo metal, madera y plásticos. Los cortes pueden ser en línea recta, calados, curvos o resaque interiores. Algunas características notables de esta sierra caladora son:

- Con el sistema Quik-Lok, las seguetas se cambian rápidamente sin necesidad de usar herramientas.
- La Acción Orbital Ajustable de la carrera de la següeta permite cortar más rápidamente al presionar la següeta contra el material a cortar, únicamente cuando la següeta va hacia arriba en su carrera. Esto es particularmente efectivo cuando se trozan tramos de madera gruesos.
- Un control de selección electrónico en el control de la velocidad, mantiene la misma estable durante el corte, tal como fue preestablecida.
- La zapata ajustable puede moverse hasta 45° en cualquier dirección para cortes en ángulo.
- La cubierta antirayones de la zapata protege la superficie de trabajo contra trabadas o atorones de la següeta y rayones en la cubierta.
- El soplador del aserrín o polvo lo remueve de la superficie antes del corte, para tener una mejor visibilidad.
- Conector interconstruido para una manguera de aspiradora, con el objeto de asistir en la recolección del polvo o aserrín (la manguera es opcional).
- La cubierta transparente de la següeta mejora la extracción del polvo.
- Su mecanismo anti-vibratorio permite una operación más suave y silenciosa.

Encendido y apagado de la herramienta

Para el modelo N 6266

1. Para encender la herramienta, empuje el interruptor encendido/apagado.
2. Para detener la herramienta, empuje el interruptor encendido/apagado.

Para el modelo N 6276

1. Para encender la herramienta, empuje el interruptor encendido/apagado hacia adelante hasta que "I" esté visible.
2. Para detener la herramienta, empuje el interruptor encendido/apagado hacia atrás hasta que "0" esté visible.

Asegurar el interruptor de encendido/apagado

El botón de seguridad mantiene el gatillo en la posición ENCENDIDO para un uso continuo. (Solamente el modelo 6266)

1. Para asegurar el interruptor de encendido/apagado, sostenga el botón de seguridad al presionar el interruptor encendido/apagado.
2. Para desbloquear el interruptor de encendido/apagado, presione el interruptor de encendido/apagado y suéltelo. El botón de seguridad saldrá

Ajustando las carreras por minuto

Las carreras por minuto pueden ajustarse usando la perilla selectora de velocidad. En la perilla están indicados los números del 1 al 7, siendo el 1 el de la velocidad más baja y el 7 el de la velocidad más alta. Las velocidades recomendadas para cortar diversos materiales se listan a continuación. Las velocidades óptimas de corte deben ser determinadas por el usuario con base en los requerimientos especiales del corte. Las carreras por minuto pueden ser ajustadas con la herramienta en operación o detenida.

Madera	7
Metal	4-5
Plástico	2

Ajustando la acción orbital

La cantidad de acción orbital puede ser ajustada con la palanca selectora. En general, una acción orbital muy grande (III) debe usarse en materiales suaves y una acción orbital pequeña (0) debe usarse con materiales duros. Cuando se requiera de un corte suave, no deben usarse órbitas (0). A continuación se ilustran diferentes acciones orbitales con base en diferentes composiciones del material a cortar. La acción orbital óptima debe ser determinada por el usuario con base en los requerimientos especiales del corte. La acción orbital puede ser ajustada con la herramienta en operación o detenida.

Madera	III	Metal	0
Plástico	I	Corte suave	0

Realización del corte

1. Seleccione las carreras y la acción orbital, tomando en cuenta el material que se va a cortar.
2. Coloque la herramienta con la parte frontal de la zapata sobre el material y accione el interruptor.
3. Sujete firmemente la herramienta contra el material y guíela a través de la línea de corte deseada. No la "alimente" muy fuertemente contra el material, una ligera presión en la següeta hará que se logre la velocidad óptima de corte.

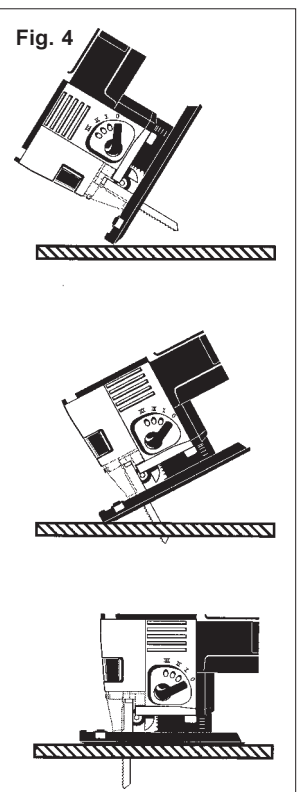
Técnicas especiales de corte

1. *Cortes rectos*—Para obtener un corte perfectamente recto, fije un tramo de madera como guía, a todo lo largo de material a cortar o use la guía paralela (accesorio).
2. *Cortes en ángulo*—ajuste la zapata al ángulo correcto (ver Ajustando la zapata).
3. *Cortes cerca de obstáculos*—mueva la zapata hacia atrás para tener mayor área de libramiento de corte (ver Ajustando la zapata).
4. *Cortando hojas de metal*—las hojas de metal pueden vibrar a la hora de realizar el corte. Para minimizar estas vibraciones, sujete con pinzas, la hoja de metal a una base de madera.

Cortes interiores o resagues (Fig. 4)

Las sierra caladoras MILWAUKEE 6266 y 6276 están bien adaptadas para realizar cortes inclinación en materiales suaves sin un agujero pre-perforado. Los materiales más duros requieren de esta perforación guía con un diámetro ligeramente mayor que el ancho de la següeta. Para realizar un corte interior:

1. Corra la zapata totalmente hacia atrás.
2. Coloque en 0, el selector de acción orbital.
3. Mantenga el cable eléctrico fuera del área de corte.
4. Asegúrese que no haya nada que se pueda dañar debajo de la superficie de corte.
5. Antes de accionar el interruptor, coloque firmemente la parte frontal de la zapata sobre el material a cortar.
6. Alinee la següeta con la línea de corte por realizar.
7. Usando la parte frontal de la zapata como pivote, accione la herramienta y baje gradualmente la següeta contra el material a cortar.
8. Una vez que la zapata esté apoyada firmemente contra la superficie del material, realice el corte en forma normal.



MANTENIMIENTO



¡ADVERTENCIA!

Para reducir el riesgo de lesiones, desconecte siempre la herramienta antes de darle cualquier mantenimiento. Nunca desarme la herramienta ni trate de hacer modificaciones en el sistema eléctrico de la misma. Acuda siempre a un Centro de Servicio *MILWAUKEE* para TODAS las reparaciones.

Mantenimiento de las herramientas

Adopte un programa regular de mantenimiento y mantenga su herramienta en buenas condiciones. Antes de usarla, examine las condiciones generales de la misma. Inspeccione guardas, interruptores, el cable de la herramienta y el cable de extensión. Busque tornillos sueltos o flojos, defectos de alineación y dobleces en partes móviles, así como montajes inadecuados, partes rotas y cualquier otra condición que pueda afectar una operación segura. Si detecta ruidos o vibraciones anormales, apague la herramienta de inmediato y corrija el problema antes de volver a usarla. No utilice una herramienta dañada. Colóquese una etiqueta que diga "NO DEBE USARSE" hasta que sea reparada (vea "Reparaciones").

Bajo condiciones normales, no se requiere lubricación hasta que haya que cambiar los carbones. Después de 6 meses a un año, dependiendo del uso dado, envíe su herramienta al Centro de Servicio *MILWAUKEE* más cercano para que le hagan:

- Lubricación
- Inspección y cambio de carbones
- Inspección mecánica y limpieza (engranes, flechas, baleros, carcarza, etc.)
- Inspección eléctrica (interruptor, cable, armadura, etc.)
- Probarla para asegurar una operación mecánica y eléctrica adecuada.



¡ADVERTENCIA!

Para reducir el riesgo de lesiones, descarga eléctrica o daño a la herramienta, nunca la sumerja en líquidos ni permita que estos fluyan dentro de la misma.

Limpieza

Limpie el polvo y suciedad de las ventilas. Mantenga las empuñaduras de la herramienta limpias, secas y libres de aceite y grasa. Use sólo jabón neutro y un trapo húmedo para limpiar su herramienta ya que algunas sustancias y disolventes limpiadores pueden ocasionar daños a materiales plásticos y partes aislantes. Algunos de estos incluyen: gasolina, trementina, diluyente para barniz, diluyente para pintura, disolventes limpiadores clorados, amoníaco, y detergentes caseros que contengan amoníaco.

Reparaciones

Si se daña o descompone, envíe la herramienta y todos sus accesorios al centro de servicio más cercano de los listados en la cubierta posterior de este manual del operario.

ACCESORIOS



¡ADVERTENCIA!

Para reducir el riesgo de lesiones, desconecte siempre su herramienta antes de colocar o retirar un accesorio. Use solo accesorios recomendados específicamente. Otros pueden ser peligrosos.

Para una lista completa de accesorios, refiérase a su catálogo *MILWAUKEE* Electric Tool. Para obtener un catálogo, contacte su distribuidor local o uno de los centros de servicio listos en la página de cubierta de este manual.

GARANTIA

Cada herramienta *MILWAUKEE* es minuciosamente inspeccionada y probada antes de ser empacada y despachada. En caso de que se presente algún problema, devuelva la herramienta y todos sus accesorios (con flete pagado) a nuestra oficina principal o a cualquiera de los centros de servicio autorizado de *MILWAUKEE*. Si la causa del problema lo fuera un defecto en la mano de obra o el material, todas las reparaciones se llevarán a cabo libre de cargo y la herramienta le será devuelta al propietario (con flete pagado). Los bloques de pilas secas para herramientas inalámbricas cuentan con garantía de un año a partir de la fecha de compra.

Esta garantía pierde su validez cuando: (1) alguien que no pertenezca al personal de *MILWAUKEE* o de centros de servicio autorizado haga o intente hacer reparaciones a la herramienta; (2) la herramienta requiera ser reparada por causas de uso o desgaste normal; (3) la herramienta ha sido objeto de abuso o ha sufrido algún accidente; (4) haya evidencia de maltrato tal como el ocasionado cuando se sobrecarga la herramienta por encima de su capacidad nominal; (5) se utiliza la herramienta luego haber presentado una falla temporal; o (6) se utiliza la herramienta con accesorios inadecuados. No se reconoce ninguna otra garantía, verbal o escrita.

UNITED STATES

MILWAUKEE Service

To locate the *factory* SERVICE CENTER or authorized service station nearest you, call

1-800-414-6527

TOLL FREE • NATIONWIDE

Monday-Friday • 8:00 AM - 4:30 PM • Local Time

In addition, there is a worldwide network of distributors ready to assist you. Check your "Yellow Pages" under "Tools-Electric" for the names of those nearest you.

For further information on *factory* SERVICE CENTER or authorized service station locations, visit our website at:

www.mil-electric-tool.com

Corporate Product Service Support -
Warranty and Technical Information

Brookfield, Wisconsin USA

1-800-729-3878

CANADA

Service MILWAUKEE

Milwaukee Electric Tool (Canada) Ltd

755 Progress Avenue

Scarborough, Ontario M1H 2W7

Tel. (416) 439-4181

Fax: (416) 439-6210

En outre le réseau de distributeurs est à la disposition de la clientèle d'un océan à l'autre. Consultez les pages jaunes de l'annuaire téléphonique pour l'adresse du centre le plus près de chez vous.

In addition, there is a worldwide network of distributors ready to assist you. Check your "Yellow Pages" under "Tools-Electric" for the names of those nearest you.

MEXICO

Servicios de MILWAUKEE

Milwaukee Electric Tool

División de : Atlas Copco Mexicana S.A. de C.V.

Bvd. Abraham Lincoln no. 13

Colonia Los Reyes Zona Industrial

Tlalnepantla, Edo. México C.P. 54073

Tels. 5565-1414 5565-4720

Fax: 5565-0925

Además se cuenta con una red nacional de distribuidores listos para apoyarlo. Vea en las "Páginas Amarillas" sección "Herramientas Eléctricas".

MILWAUKEE ELECTRIC TOOL CORPORATION

A Company within the Atlas Copco Group

13135 West Lisbon Road • Brookfield, Wisconsin, U.S.A. 53005

Free Manuals Download Website

<http://myh66.com>

<http://usermanuals.us>

<http://www.somanuals.com>

<http://www.4manuals.cc>

<http://www.manual-lib.com>

<http://www.404manual.com>

<http://www.luxmanual.com>

<http://aubethermostatmanual.com>

Golf course search by state

<http://golfingnear.com>

Email search by domain

<http://emailbydomain.com>

Auto manuals search

<http://auto.somanuals.com>

TV manuals search

<http://tv.somanuals.com>