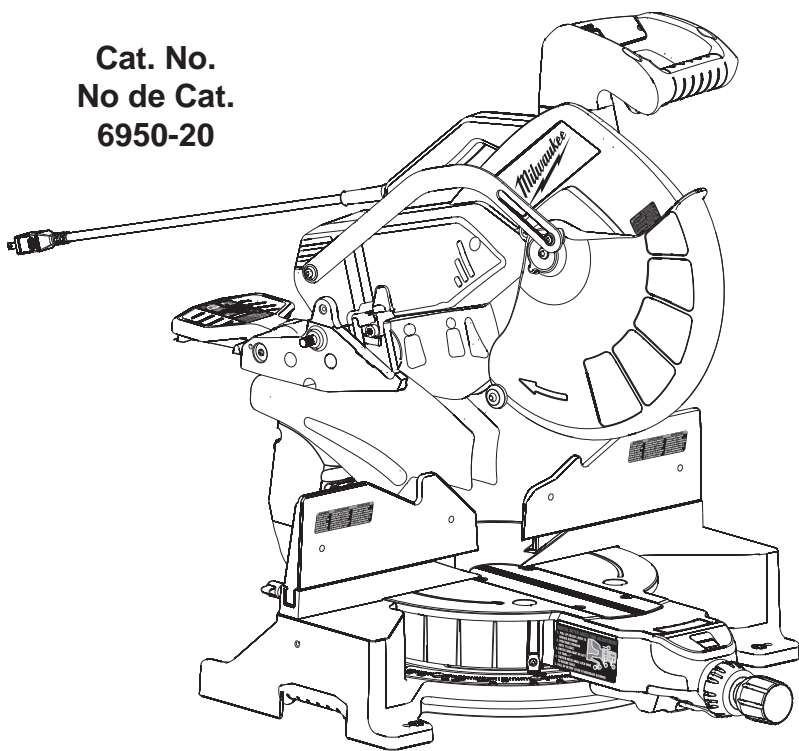




**OPERATOR'S MANUAL
MANUEL de L'UTILISATEUR
MANUAL del OPERADOR**

**Cat. No.
No de Cat.
6950-20**



12" DUAL BEVEL MITER SAW WITH DIGITAL FINE ADJUST

SCIE À ONGLETS À DOUBLE BISEAU DE 305 mm (12 PO) AVEC FONCTION DE RÉGLAGE NUMÉRIQUE PRÉCIS

SIERRA INGLETEADORA DE BISEL DOBLE DE 305 mm (12 PULG.) CON AJUSTE FINO DIGITAL

TO REDUCE THE RISK OF INJURY, USER MUST READ OPERATOR'S MANUAL.

AFIN DE RÉDUIRE LE RISQUE DE BLESSURES, L'UTILISATEUR DOIT LIRE LE MANUEL DE L'UTILISATEUR.

PARA REDUCIR EL RIESGO DE LESIONES, EL USUARIO DEBE LEER EL MANUAL DEL OPERADOR.

GENERAL SAFETY RULES



WARNING

READ AND UNDERSTAND ALL INSTRUCTIONS


Failure to follow all instructions listed below, may result in electric shock, fire and/or serious personal injury.

SAVE THESE INSTRUCTIONS

WORK AREA

1. **Keep work area clean and well lit.** Cluttered, dark work areas invite accidents.
2. **Avoid dangerous environments.** Do not use your power tool in rain, damp or wet locations or in the presence of explosive atmospheres (gaseous fumes, dust or flammable materials). Remove materials or debris that may be ignited by sparks.
3. **Keep bystanders away.** Children and bystanders should be kept at a safe distance from the work area to avoid distracting the operator and contacting the tool or extension cord.
4. **Protect others in the work area** from debris such as chips and sparks. Provide barriers or shields as needed.
5. **Make workshop child proof** with padlocks, master switches, or by removing starter keys.

ELECTRICAL SAFETY

6. **Grounded tools must be plugged into an outlet properly installed and grounded in accordance with all codes and ordinances.** Never remove the grounding prong or modify the plug in any way. Do not use any adaptor plugs. Check with a qualified electrician if you are in doubt as to whether the outlet is properly grounded. If the tool should electrically malfunction or break down, grounding provides a low resistance path to carry electricity away from the user.
7. **Double insulated tools are equipped with a polarized plug (one blade is wider than the other). This plug will fit in a polarized outlet only one way. If the plug does not fit fully in the outlet, reverse the plug. If it still does not fit, contact a qualified electrician to install a polarized outlet. Do not change the plug in any way.** Double insulation  eliminates the need for the three wire grounded power cord and grounded power supply system.

8. **Guard against electric shock.** Prevent body contact with grounded surfaces such as pipes, radiators, ranges and refrigerators. When making blind or plunge cuts, always check the work area for hidden wires or pipes. Hold your tool by insulated nonmetal grasping surfaces. Use a Ground Fault Circuit Interrupter (GFCI) to reduce shock hazards.
9. **Do not expose to rain or use in damp locations.**
10. **Do not abuse the cord. Never use the cord to carry the tools or pull the plug from an outlet. Keep cord away from heat, oil, sharp edges or moving parts. Replace damaged cords immediately.** Damaged cords increase the risk of electric shock.

PERSONAL SAFETY

11. **Know your power tool.** Read this manual carefully to learn your power tool's applications and limitations as well as potential hazards associated with this type of tool.
12. **Stay alert, watch what you are doing, and use common sense when operating a power tool. Do not use tool while tired or under the influence of drugs, alcohol, or medication.** A moment of inattention while operating power tools may result in serious personal injury.
13. **Dress properly.** Do not wear loose clothing or jewelry. Wear a protective hair covering to contain long hair. These may be caught in moving parts. When working outdoors, wear rubber gloves and insulated non-skid footwear. Keep hands and gloves away from moving parts.
14. **Reduce the risk of unintentional starting.** Be sure your tool is turned off before plugging it in. Do not use a tool if the power switch does not turn the tool on and off. Do not carry a plugged-in tool with your finger on the switch.

15. **Remove all adjusting keys and wrenches.** Make a habit of checking that adjusting keys, wrenches, etc. are removed from the tool before turning it on.
16. **Do not overreach. Maintain control.** Keep proper footing and balance at all times. Maintain a firm grip. Use extra care when using tool on ladders, roofs, scaffolds, etc.
17. **Use safety equipment.** Everyone in the work area should **wear safety goggles or glasses with side shields** complying with current safety standards. Everyday eyeglasses only have impact resistant lenses. They are not safety glasses. Wear hearing protection during extended use and a dust mask for dusty operations. Hard hats, face shields, safety shoes, etc. should be used when specified or necessary. Keep a fire extinguisher nearby.
18. **Keep guards in place** and in working order.
19. **Never stand on tool.** Serious injury could occur if the tool is tipped or if the cutting tool is unintentionally contacted.
20. **Keep hands away from all cutting edges and moving parts.**

TOOL USE AND CARE

21. **Secure work.** Use a clamp, vise or other practical means to hold your work securely, freeing both hands to control the tool.
22. **Do not force tool.** Your tool will perform best at the rate for which it was designed. Excessive force only causes operator fatigue, increased wear and reduced control.
23. **Use the right tool.** Do not use a tool or attachment to do a job for which it is not recommended. For example, do not use a circular saw to cut tree limbs or logs. Do not alter a tool.
24. **Unplug tool** when it is not in use, before changing accessories or performing recommended maintenance.
25. **Store idle tools.** When not in use, store your tool in a dry, secured place. Keep out of reach of children.
26. **Never leave the tool running unattended.** Turn power off. Do not leave the tool until it comes to a complete stop.
27. **Check for damaged parts.** Inspect guards and other parts before use. Check for misalignment, binding of moving parts, improper mounting, broken parts

and any other conditions that may affect operation. If abnormal noise or vibration occurs, turn the tool off immediately and have the problem corrected before further use. Do not use a damaged tool. Tag damaged tools "DO NOT USE" until repaired. A guard or other damaged part should be properly repaired or replaced by a MILWAUKEE service facility. For all repairs, insist on only identical replacement parts.

28. **Use proper accessories.** Consult this manual for recommended accessories. Using improper accessories may be hazardous. Be sure accessories are properly installed and maintained. Do not defeat a guard or other safety device when installing an accessory or attachment.
29. **Maintain tools carefully.** Keep handles dry, clean and free from oil and grease. Keep cutting edges sharp and clean. Follow instructions for lubricating and changing accessories. Periodically inspect tool cords and extension cords for damage. Have damaged parts repaired or replaced by a MILWAUKEE service facility.
30. **Maintain labels & nameplates.** These carry important information. If unreadable or missing, contact a MILWAUKEE service facility for a free replacement.

SERVICE

31. **Tool service must be performed only by qualified repair personnel.** Service or maintenance performed by unqualified personnel may result in a risk of injury.
32. **When servicing a tool, use only identical replacement parts. Follow instructions in the maintenance section of this manual.** Use of unauthorized parts or failure to follow maintenance instructions may create a risk of shock or injury.

SPECIFIC SAFETY RULES

1. **Always keep hands away from the path of the saw blade.**
2. **Never reach around, under or across blade.**
3. **Do not place hands under the saw motor or in the path of the blade.** Do not retrieve a piece of material that is cut off while the blade is rotating. Never place hands or fingers behind or in front of the saw blade.
4. **Check guards** for smooth operation before each use.

5. **Do not defeat the guards or operate the tool without the guards in place.**
6. **Avoid kick back.** Kick back is a violent reaction to a pinched or binding blade, which throws the saw head upward and towards the operator. Proper workpiece selection and support, proper blade selection and maintenance, and even feed rate are essential to reduce the risk of kick back.
7. **Always support work properly.** Use the fence, support blocks, auxiliary work support or clamps to keep workpiece secure. Always support the free end of the workpiece and support all small workpieces. Workpieces that bow and pinch the blade may result in kick back. Do not perform any operations freehand (unsupported).
8. **Thin material** tends to warp or sag and must be well-supported over its entire length to avoid pinching the blade.
9. **Position fence properly.** The fence can be adjusted for compound cuts and miter cuts. Always make sure the fence is adjusted for the intended cut. Never operate the saw without the fence in place.
10. **Be sure the clamp handle and the level adjustment lever are tightened securely before making cuts.**
11. **Use the right blade.** Use only recommended blade types and sizes with proper mounting holes, rated at least 5500 RPM. Follow the rotation arrow on the blade to be sure you install it properly. Keep saw blades sharp to help prevent cracking and grabbing. Never use defective or incorrect washers or bolts.
12. **Do not use abrasive wheels with the miter saw.**
13. **Keep blades clean and sharp.** An unsharpened or improperly sharpened blade produces a narrow kerf and is likely to be pinched by the workpiece. A dull blade produces excessive friction which can cause the blade to warp or bind. Be sure the blade screw is tight to prevent slipping or loosening during operation.
14. **Wait for the blade to reach full speed before lowering the saw head to make a cut.**

15. **Push the saw through the workpiece. Do not pull the saw through the workpiece.** To make a cut, raise saw head and pull it out OVER the workpiece WITHOUT cutting, start the motor, wait a few seconds for the blade to reach full speed, press down on saw head, and push saw head through the cut.
16. **If the blade stalls, do not turn the switch on and off.** A dull blade or excess pressure may cause stalling. Release the switch immediately if the blade binds or the saw stalls and remove the saw from the cut.
17. **Restarting in mid-cut.** If you stop the saw in mid-cut, allow the blade to stop, then raise the saw out of the cut. Then restart the saw.
18. **Do not lock the trigger in the on position.**
19. **Keep the cord away from the cutting area** and position it so that it will not be tripped over or caught on the workpiece while you are cutting.
20. **Avoid cutting nails.** Inspect for and remove all nails before cutting.
21. **Always wait for the blade to stop completely before** changing positions, retrieving a cut-off piece, or preparing the next cut. Unplug the tool before tightening blade screw, servicing, making adjustments, transporting or moving the saw to another location.
22. **Lock the saw head down before transporting.**
23. **WARNING:** Some dust created by power sanding, sawing, grinding, drilling, and other construction activities contains chemicals known to cause cancer, birth defects or other reproductive harm. Some examples of these chemicals are:
 - lead from lead-based paint
 - crystalline silica from bricks and cement and other masonry products, and
 - arsenic and chromium from chemically-treated lumber.

Your risk from these exposures varies, depending on how often you do this type of work. To reduce your exposure to these chemicals: work in a well ventilated area, and work with approved safety equipment, such as those dust masks that are specifically designed to filter out microscopic particles.

GROUNDING



WARNING

Improperly connecting the grounding wire can result in the risk of electric shock. Check with a qualified electrician if you are in doubt as to whether the outlet is properly grounded. Do not modify the plug provided with the tool. Never remove the grounding prong from the plug. Do not use the tool if the cord or plug is damaged. If damaged, have it repaired by a MILWAUKEE service facility before use. If the plug will not fit the outlet, have a proper outlet installed by a qualified electrician.

Grounded Tools: Tools with Three Prong Plugs

Tools marked "Grounding Required" have a three wire cord and three prong grounding plug. The plug must be connected to a properly grounded outlet (See Figure A). If the tool should electrically malfunction or break down, grounding provides a low resistance path to carry electricity away from the user, reducing the risk of electric shock.

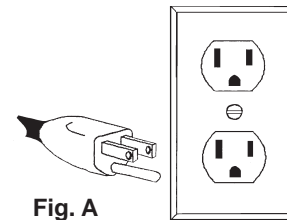


Fig. A

The grounding prong in the plug is connected through the green wire inside the cord to the grounding system in the tool. The green wire in the cord must be the only wire connected to the tool's grounding system and must never be attached to an electrically "live" terminal.

Your tool must be plugged into an appropriate outlet, properly installed and grounded in accordance with all codes and ordinances. The plug and outlet should look like those in Figure A.

Double Insulated Tools: Tools with Two Prong Plugs

Tools marked "Double Insulated" do not require grounding. They have a special double insulation system which satisfies OSHA requirements and complies with the applicable standards of Underwriters Laboratories, Inc., the Canadian Standard Association and the National Electrical Code. Double Insulated tools may be used in either of the 120 volt outlets shown in Figures B and C.

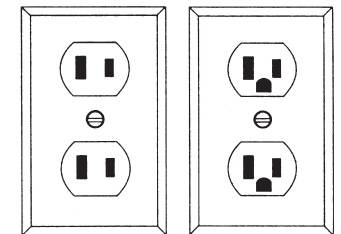







Fig. B

Fig. C

Symbology

	Double Insulated		Underwriters Laboratories, Inc.
	Amperes	$n_0 \text{ XXXX min.}^{-1}$	No Load Revolutions per Minute (RPM)
	Volts Alternating Current		Always keep hands away from the path of the saw blade.

EXTENSION CORDS

Grounded tools require a three wire extension cord. Double insulated tools can use either a two or three wire extension cord. As the distance from the supply outlet increases, you must use a heavier gauge extension cord. Using extension cords with inadequately sized wire causes a serious drop in voltage, resulting in loss of power and possible tool damage. Refer to the table shown to determine the required minimum wire size.

The smaller the gauge number of the wire, the greater the capacity of the cord. For example, a 14 gauge cord can carry a higher current than a 16 gauge cord. When using more than one extension cord to make up the total length, be sure each cord contains at least the minimum wire size required. If you are using one extension cord for more than one tool, add the nameplate amperes and use the sum to determine the required minimum wire size.

Guidelines for Using Extension Cords

- If you are using an extension cord outdoors, be sure it is marked with the suffix "W-A" ("W" in Canada) to indicate that it is acceptable for outdoor use.
- Be sure your extension cord is properly wired and in good electrical condition. Always replace a damaged extension cord or have it repaired by a qualified person before using it.
- Protect your extension cords from sharp objects, excessive heat and damp or wet areas.

Recommended Minimum Wire Gauge for Extension Cords*

Nameplate Amperes	Extension Cord Length				
	25'	50'	75'	100'	150'
0 - 2.0	18	18	18	18	16
2.1 - 3.4	18	18	18	16	14
3.5 - 5.0	18	18	16	14	12
5.1 - 7.0	18	16	14	12	12
7.1 - 12.0	16	14	12	10	
12.1 - 16.0	14	12	10		
16.1 - 20.0	12	10			

* Based on limiting the line voltage drop to five volts at 150% of the rated amperes.

READ AND SAVE ALL INSTRUCTIONS FOR FUTURE USE.

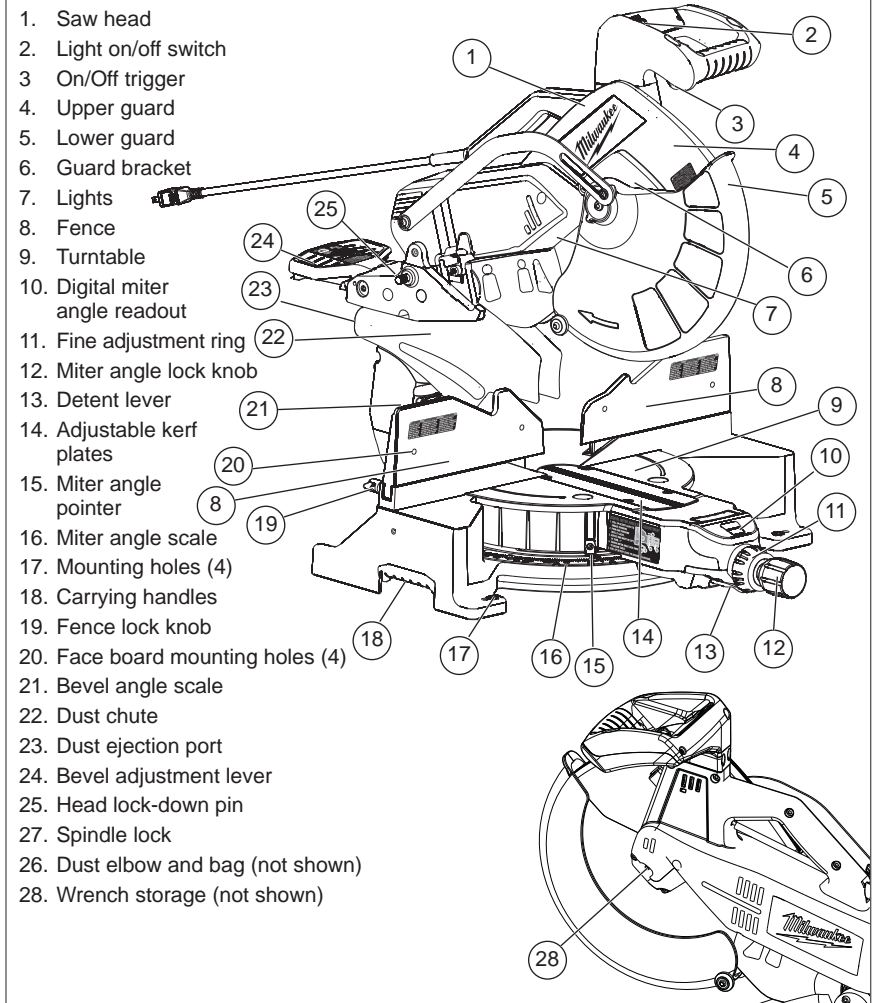
Specifications

Cat. No.	Volts AC	Amps	No Load RPM	Arbor Size	Blade Size	Weight
6950-20	120	15	3 200	5/8"	12"	55 lbs

Capacities

Miter Cuts				Compound Cuts	
Max Height at 90°	Max Height at 45°	Max Width at 90°	Max Width at 45°	45° Miter and 45° Bevel	
				Left Bevel	Right Bevel
6.0" H at 2.75" W	6.0" H at .85" W	7.85" W at 3.37" H	5.5" W at 3.37" H	5.5" W at 1.66" H	5.5" W at 1.3" H

FUNCTIONAL DESCRIPTION



1. Saw head
2. Light on/off switch
3. On/Off trigger
4. Upper guard
5. Lower guard
6. Guard bracket
7. Lights
8. Fence
9. Turntable
10. Digital miter angle readout
11. Fine adjustment ring
12. Miter angle lock knob
13. Detent lever
14. Adjustable kerf plates
15. Miter angle pointer
16. Miter angle scale
17. Mounting holes (4)
18. Carrying handles
19. Fence lock knob
20. Face board mounting holes (4)
21. Bevel angle scale
22. Dust chute
23. Dust ejection port
24. Bevel adjustment lever
25. Head lock-down pin
27. Spindle lock
26. Dust elbow and bag (not shown)
28. Wrench storage (not shown)

FEATURES

Miter system

The *MILWAUKEE* 6950-20 Miter Saw uses a heavy duty steel plate with detents (stops). This steel plate is extremely durable and provides for repeatable accuracy at each detent. The miter angle can be set using detents for commonly cut angles at 0°, 15°, 22.5° 31.62°, 45° Right and Left. The 6950-20 has a miter range from 52 left and right. An industrial grade bearing allows the turntable to be quickly and accurately adjusted to any angle across the miter range.

Miter Angle Fine Adjust

In certain finish carpentry applications like casing a window or door, it is necessary to compensate for a non-square situation by making a precision miter angle adjustment to the turntable. The *MILWAUKEE* miter angle fine adjust system makes this process quick and easy, especially when the saw is positioned near a miter detent (stop).

Digital Miter Angle Readout

The *MILWAUKEE* 6950-20 has a Digital Miter Angle Readout at the front of the turntable that displays the miter angle of the turntable to a resolution of 0.1°. The Digital Miter Angle Readout is based on the mechanical accuracy of the miter angle detent plate. It calibrates itself each time the turntable is placed in a miter detent and it requires no adjustment.

Using the Miter Angle Fine Adjust in conjunction with the Digital Miter Angle Readout, it is easy to make accurate minor angle adjustments anywhere along the miter range. Using these systems together makes it easy to re-position the turntable and repeat any miter angle setting.

When the turntable is positioned at a LEFT miter angle the digital readout will display with a (-) symbol in front of the angle (for example: -22.5° or -44.7°). When the turntable is positioned at a RIGHT miter angle the digital readout will display as follows: 22.5° or 44.7°.

Dual Bevel Adjustment System

The Dual Bevel Adjustment System allows for quick and accurate bevel adjustments to either the Right or the Left. The bevel angle can be set using detents (stops) for the following commonly cut angles 0°, 22.5°, 33.85°, 45° Right and Left. The bevel mechanism also has several degrees of overtravel beyond 45° on both the left and right.

Electronic Feedback Control Circuit

The Electronic Feedback Control Circuit (EFCC) helps improve the operation and life of the tool. It allows the tool to maintain constant speed and torque between no-load and load conditions. The soft start reduces the amount of torque reaction at startup to the tool and the user. It gradually increases the motor speed up from zero to the top no-load speed.

Electric Brake

The electric brake engages when the trigger is released, causing the blade to stop and allowing you to proceed with your work. Generally the saw blade stops in four to five seconds. However, there may be a delay between the time the trigger is released and the time the brake engages. Occasionally the brake may miss completely. If the brake misses frequently, the saw needs servicing by an authorized *MILWAUKEE* service station. The brake is not a substitute for the guards, so it is essential to always wait for the blade to stop completely before removing the blade from the kerf.

Lights

The *MILWAUKEE* 6950-20 Miter Saw has two high power lights positioned on either side of the blade to illuminate the workpiece cutting area so that it is easy to see blade approach the cutting line. An ON / OFF switch for the lights is conveniently located on the trigger handle. The bulb is designed to provide several years of service. Uses standard bulb size GE 193.

Dust Management System

The *MILWAUKEE* 6950-20 Miter Saw dust collection system uses a large dust chute on both sides of the blade to capture and direct dust to back of the saw. The saw comes with a Dust Elbow and a Dust Bag that attach to the back of the Dust Chute. The dust bag has a zipper located on the bottom of the bag that makes it easy to empty. When using the saw on a stand, the dust bag zipper can be left open to allow the waste to fall into a waste container.

Carrying Handles

For ease of transporting, multiple carrying handles are provided, one on each side of the table and one on top of the saw head. Always lock the saw head down when transporting.

TOOL ASSEMBLY



WARNING

To reduce the risk of injury, always unplug tool before attaching or removing accessories or making adjustments. Use only specifically recommended accessories. Others may be hazardous.

Adjusting the Miter Saw

The 6950-20 Miter Saw is fully adjusted at the factory. If it is not accurate due to shipping and handling, please follow these steps to accurately set up your saw. Once the saw is properly adjusted, it should remain accurate under normal jobsite and transportation conditions.

Squaring the Blade (90°) to the Fence (0° Miter)

1. Unplug saw
2. Place a square against the fence and blade and ensure that the square is not touching blade teeth as this will cause an inaccurate measurement.
3. Loosen the miter lock knob and move the saw to the 0° miter position. Do not tighten the lock knob.
4. If the saw blade is not exactly perpendicular to the fence, use the supplied wrench to loosen the screws that hold the miter scale to the base. Move the scale left or right until the blade is perpendicular to the fence. Use the square to verify that the blade is perpendicular to the fence. Retighten the screws.
5. Loosen the miter pointer adjustment screw and reposition the pointer the so that it indicates exactly zero. Once the pointer is properly positioned, retighten the miter pointer adjustment screw.

Squaring the Blade (90°) to the Table (0° Bevel)

1. Unplug saw
2. Place a square against the table and blade and ensure that the square is not touching blade teeth as this will cause an inaccurate measurement.
3. Remove the 6 screws holding the dust chute together.
4. Move the bevel adjustment lever to the middle position and wedge in a tool

(screw driver etc.) so the handle stay in the middle position. Move the saw head so that the bevel detent mechanism locks into the 0° bevel detent.

5. Loosen 2 screws (T25) on the front of the bevel arm, these screws are used to clamp the detent body.
6. Using a T25 wrench you can adjust the bevel setting of the blade-to-table. Clockwise tilts blade to the right, counterclockwise tilts blade to the left.
7. When you have the blade set to the 0° bevel, torque the 2 screws to 85-100 in lbs.
8. Remove the tool used to wedge the bevel adjustment lever.
9. Move the bevel adjustment lever to "lock".
10. Reassemble the dust chute sides, tightening the 6 screws securely.
11. If necessary, loosen the left and right bevel pointer adjustment screws and reposition the pointers the so that they indicates exactly zero. Once the pointers are properly positioned, retighten the bevel pointer adjustment screw.

Mounting the Miter Saw

To prevent the tool from sliding, falling or tipping during operation, the saw can be mounted to a supporting surface such as a level, sturdy work table or bench. Position the saw and workbench to allow adequate room for cross-cutting long workpieces. To mount the saw, insert fasteners through the holes in the corners of the saw base.

Installing the Dust Bag

Use the dust bag to collect or divert sawdust. Insert the dust elbow into the dust chute on the back of the saw. Then, attach the dust bag by hooking it onto the dust elbow. Always empty the dust bag before storing and frequently during use.

Raising and Lowering the Saw Head

The saw head must be locked down for transporting and storing the tool. The tool is shipped with the saw head locked down. To unlock it, press and hold down the saw head and simultaneously pull out the lock down pin. To lock the saw head, press and hold down the saw head and then push in the lock down pin.

Lock-Off

There is a hole in the trigger through which a padlock will fit to lock the tool when it is not in use. Use a padlock with a 1/4" shackle and always unplug the tool before installing it (padlock not supplied with tool).

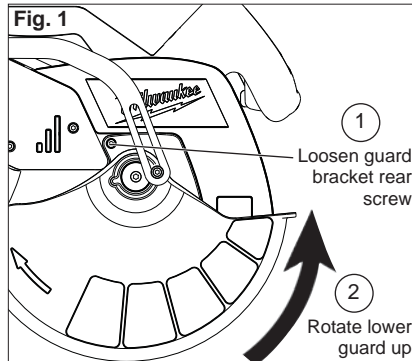
Selecting the Correct Miter Saw Blade

Use only **miter saw blades** with the **MILWAUKEE Dual Bevel Miter Saw**.

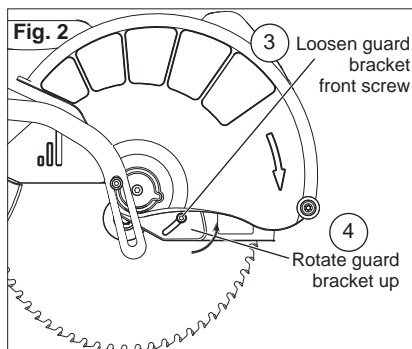
Installing and Changing Blades

Always use clean, sharp blades because dull blades tend to overload the tool, bind and cause pinching. Use only 12" blades rated at least 5500 RPM.

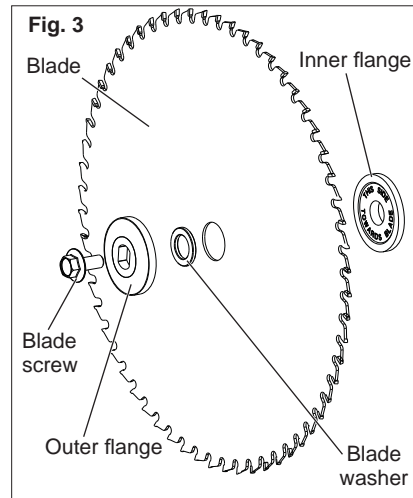
1. Unplug the tool.
2. With the saw head up, use the wrench to loosen the guard bracket rear screw 1/4 turn using the wrench provided (1).
3. Raise the lower guard (2).



4. Loosen (do not remove) the guard bracket front screw (3) until the guard bracket can be raised to expose the blade screw (4). Lower the lower guard until it rests on the guard bracket front screw. This will hold it up and out of the way during the blade change.



5. Press in the spindle lock and rotate the spindle until the lock engages.
6. Use the wrench to loosen and remove the **left-hand thread** blade screw clockwise.
7. Remove the outer blade flange, blade, blade washer, and inner blade flange. Wipe the flanges, washer, and spindle to remove dust and debris. Inspect the parts for damage. Replace if needed.



8. Install the inner blade flange as shown.
9. Insert the blade washer into the blade arbor hole.
10. Match the arrow on the blade with the arrow on the lower guard. Slide the blade into the upper guard and onto the spindle.
11. Install the outer blade flange.
12. Press in the spindle lock and rotate the blade until the lock engages. Insert and securely tighten the blade screw counterclockwise with the wrench.
13. Rotate the guard bracket into position and securely tighten the two screws. Return the wrench to the wrench holder.
14. Lower the saw head and check the clearance between the blade and the adjustable kerf plates. Important: The lower guard must move freely. The blade should rotate freely (see "Adjusting the Kerf Plates").

Adjusting the Kerf Plates

Kerf plates reduce tear-out and splintering along the cut by providing edge support. Because blades vary in width, adjust the kerf plates with every blade change.

Never make a cut without the adjustable kerf plates installed. The kerf plates can be set at their maximum width to accommodate all blade widths and bevel angles if tear-out and splintering are not a concern.

1. Unplug the tool.
2. Install the blade to be used. **Each time the blade is changed, check to be sure the kerf plates are adjusted properly.**

OPERATION



WARNING

To reduce the risk of injury, wear safety goggles or glasses with side shields. Always wait for the blade to stop completely and unplug the tool before changing accessories or making adjustments. Do not defeat the guards.

Using Face Boards (Zero Clearance Sub Fences)

There are face board mounting holes in the fences for attaching face boards. Face boards place distance between the fence and the workpiece, providing improved support for some workpieces. Workpiece splintering can be reduced by using face boards. As the width of the face board increases, the height of the workpiece which can be cut increases slightly (but the width capacity decreases slightly). Similarly, if you place a face board on the saw table and place a workpiece on top of the face board, you can cut a workpiece with greater width (but with less height).

Guards

The tool is shipped with both the upper and lower guard installed. The lower guard should cover the blade when the saw head is up and it should move freely and open automatically as the saw head is lowered into the workpiece. If the lower guard appears loose, sticks, or if it does not move to cover the blade when the saw head is up, tighten the guard bracket screws. If it still does not move freely, take the saw to an authorized service center for repairs. Do not attempt to open the guard further than the automatic action permits.

3. Set the bevel angle. **Each time the bevel is changed, check to be sure the kerf plates are adjusted properly.**
4. Loosen the six kerf plate adjusting screws.
5. Lower the saw head to the full depth of cut (the point where the saw head will not lower any further).
6. Slide the kerf plates to the desired spacing and tighten the six screws.
7. Check to be sure the saw blade does not contact the kerf plates before starting the saw.

Select the Workpiece Carefully

Be cautious of pitchy, knotty, wet or warped workpieces. These materials are likely to create pinching conditions. Workpieces that bow and pinch may result in kick back. Inspect for and remove nails before cutting. Always keep blades clean and sharp; otherwise the blade produces a narrow kerf and is likely to be pinched by the workpiece. This tool is not recommended for cutting ferrous metals such as iron and steel. See Applications for a more complete list of materials.

Support the Workpiece Properly

Always support the workpiece during operation. Otherwise, the workpiece may pull up and into the saw.

1. *Use the Fence:* Align the workpiece flush against the fence to provide a straight path for the saw blade. This will help eliminate the tendency for the blade teeth to bind. The fence can be used as a support for miter, bevel and compound cuts.
2. *Use a clamp:* Clamp the workpiece to the fence or base with a C-clamp.

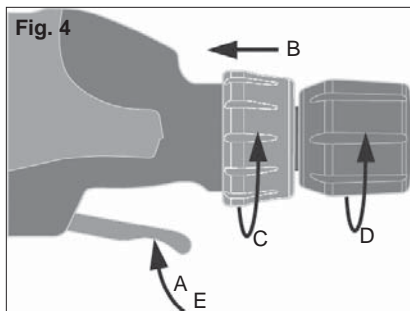
Support of Longer Workpieces

Longer workpieces need support along their full length. If you are using the saw on a level work bench, prop up the workpiece to a height of 4-3/4" from the bottom of the saw feet. There are also many aftermarket work tables specifically designed for miter saws that provide supports for all types of workpieces.

Adjusting the Miter Angle

The miter angle can be set using detents for commonly cut angles, as well as finely adjusted to any angle. Use the miter angle pointer to adjust the turntable to any whole degree across the miter range. The digital miter angle readout shows the selected angle.

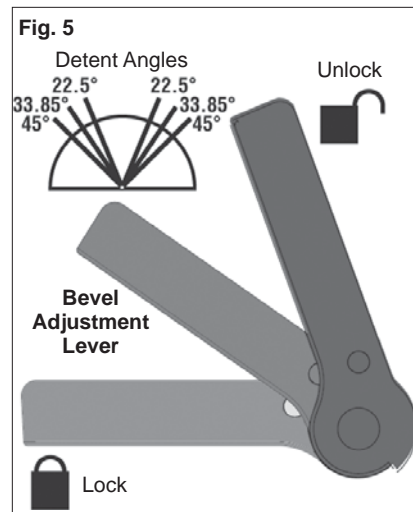
1. Loosen the miter angle lock knob.
2. To set the miter angle, pull up on the detent lever and rotate the turntable to the detent angle closest to the desired angle. The saw cuts miter angles from 55° on the left to 60° on the right. Detents are available at 0°, 15°, 22.5° 32.62°, 45°, and 60°.
3. Tighten the miter angle lock knob to use the miter angle set at the detent before making a cut.
4. To make a fine adjustment to the miter angle:
 - A. Pull up and hold the detent lever.
 - B. Push the fine adjustment ring forward until it locks to engage override.
 - C. Rotate the fine adjustment ring left or right until the desired angle is displayed on the digital miter angle readout. ¼ turn = 1° change in miter angle.
 - D. Tighten the miter angle lock knob to secure the table before making a cut.
 - E. Pull up on the detent lever to release the fine adjustment ring.



Adjusting the Bevel Angle

The bevel angle can be set using detents for commonly cut angles, as well as adjusted to any angle in between by using the bevel angle scale. The bevel mechanism also has several degrees of overtravel on both the left and right.

1. Unplug the tool.
2. To adjust the bevel angle, place one hand on the front handle for better control.
3. Using the other hand, lift the bevel adjustment lever:
 - A. To use **pre-set detents**, lift the bevel adjustment lever half-way up (until it "clicks") to move the saw head left or right, with stops at pre-set detents.
 - B. To freely move the head, lift the bevel adjustment lever all the way up to freely move the saw head across the bevel range.
4. Pull or push the saw head to the desired angle using the bevel angle scale.
5. Lock the bevel angle by pressing down the bevel adjustment lever before making a cut.



Adjusting the Fences

1. Loosen the fence lock knobs.
2. The left side fence can slide side-to-side to the desired position to allow for a left bevel or left compound miter cuts.
3. The right side fence can be removed for a right bevel or right compound miter cuts by pulling the fence up.
4. Always position the fences properly for maximum work support.
5. Tighten the fence lock knobs securely before making a cut.

NOTE: If either fence has any movement forward to backward, tighten the fence set screw, located on the back of each fence slot.

Lights

Use the on/off switch to turn on the turntable lights before making a cut. Turn off the lights when cutting is complete.



WARNING

To reduce the risk of injury, do not rely on the brake as a safety feature. Always wait until the blade stops completely before allowing anything near the blade.



WARNING

To reduce the risk of injury, make sure all adjustments are securely locked before making a cut.

Starting and Stopping the Tool

Always hold the trigger handle firmly because the starting and stopping action of the motor may cause the handle to move up or down slightly. Always secure the turntable by tightening the miter angle lock knob.

1. To **start** the motor, pull the trigger.
2. To **stop** the motor, release the trigger.

Making a Chop Cut

1. Plug in the tool. Raise the saw head completely.
2. Select the desired angles following the steps in "Adjusting the Miter Angle" and "Adjusting the Bevel Angle".
3. Place the workpiece on the turntable and line up the cut.
4. Support the workpiece using any of the methods described in "Support the Workpiece Properly".
5. Start the motor. Wait a few seconds for the blade to reach full speed. Then gently lower the saw head into the workpiece all the way through the cut (3).
6. Always allow the saw to do the work. Forcing the tool may stall or overheat the motor.
7. After the cut is complete, release the trigger and wait for the blade to stop completely. Then gently raise the saw head and remove the workpiece. Always unplug the tool before retrieving loose cut-off pieces from inside the guard area.

APPLICATIONS



WARNING

Do not cut stone, brick, concrete, or ferrous metals (iron, steel, stainless steel, or alloys of these metals) with this saw.

Do not use abrasive wheels with this saw.

Dust created by cutting these materials and/or using abrasive cut-off wheels can jam the blade guard and possibly cause personal injury.

Recommended Materials and Applications

The following materials can be cut with the slide compound miter saw. There are many types of saw blades available. Always use the proper blade for the particular material and application.

Wood - solid wood, plywood, particle board, MDF (medium density fiberboard), HDF (high density fiberboard), melamine laminated particle board, formica laminates, hardboard (masonite).

Plastics - PVC, CPVC, ABS, solid surfacing materials (such as Corian®), and other plastic materials.

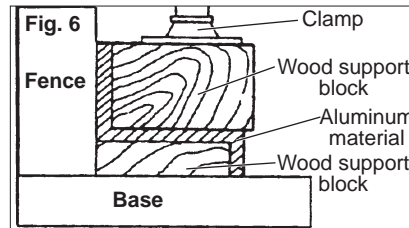
Nonferrous Metals - aluminum, brass, copper, and other non-ferrous materials.

Cutting Non-Square Materials Cutting Round (Cylindrical) Materials

"V" shaped blocks can be used to support round materials like closet rod and plastic pipe.

Aluminum Sash and Other Channel Type and Materials

Aluminum sash material can be supported with blocks to prevent it from deforming while it is being cut.



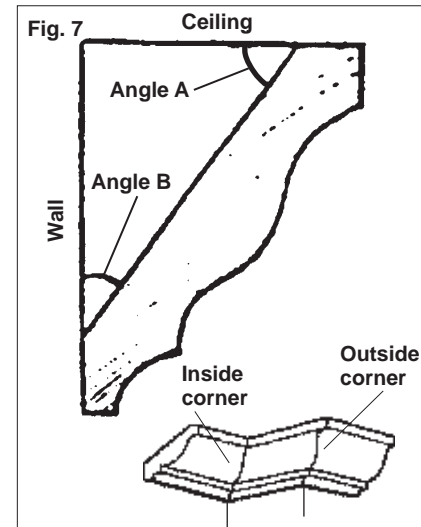
Two Methods for Cutting Crown Molding

The angles created on a piece of crown molding that fits flat against the ceiling and wall will, when added together, equal 90° (A + B = 90°). The most common crown molding angles are :

52°/38°: A 52° angle against the ceiling (A) and a 38° angle against the wall (B). The miter saw has special miter settings at 31.6° left and right and a bevel setting at 33.9° to use when cutting 52°/38° crown molding flat on the miter saw table. These settings are identified with a diamond mark.

45°/45°: A 45° angle against the ceiling (A) and a 45° angle against the wall (B). The miter saw has special miter settings at 35.3° left and right and a bevel setting at 30° to use when cutting 45°/45° crown flat on the miter saw table. These settings are identified with a black circle.

NOTE: Even though all of these angles are standard, rooms are very rarely constructed so the corners are exactly 90°. You will need to "fine tune" these settings and make necessary adjustments to the cutting angles.



Cutting Crown Molding Flat on the Miter Saw Table

The advantage of cutting crown molding flat on the table is that it is easier to secure the molding at the correct cutting position. Also larger pieces of crown molding may be cut laying flat on the miter saw table.

1. Set the bevel and miter angles using the Crown Molding Miter Angles chart. Tighten the miter lock knob and the bevel lock knob.

2. Using the Positioning section below, correctly positions the molding.

NOTE: Always make a test cut on scrap material to confirm all angles are correct.

3. Make the cut according to "Making a Chop Cut".

Cutting Crown Molding Angled Against the Fence (Nested – in position)

Always use a crown molding fence when cutting crown molding angled against the fence. When cutting crown molding angled against the fence does not require bevel settings. Small changes in the miter angle can be made without affecting the bevel angle. When using this method the saw can be quickly and easily adjusted for corners that are not 90° (square).

Positioning

Standard (U.S.) crown molding with 52° and 38° angles (set bevel angle to 33.85°)

Left side, inside corner

1. Top edge of molding against fence
2. Miter table set right 31.62°
3. Save left end of cut

Right side, inside corner

1. Bottom edge of molding against fence
2. Miter table set left 31.62°
3. Save left end of cut

Left side, outside corner

1. Bottom edge of molding against fence
2. Miter table set left 31.62°
3. Save right end of cut

Right side, outside corner

1. Top edge of molding against fence
2. Miter table set right 31.62°
3. Save right end of cut

Standard (U.S.) crown molding with 45° angles (set bevel angle to 0°)

Left side, inside corner

1. Top edge of molding against fence
2. Miter table set right 45°
3. Save left end of cut

Right side, inside corner

1. Bottom edge of molding against fence
2. Miter table set left 45°
3. Save left end of cut

Left side, outside corner

1. Bottom edge of molding against fence
2. Miter table set left 45°
3. Save right end of cut

Right side, outside corner

1. Top edge of molding against fence
2. Miter table set right 45°
3. Save right end of cut

Miter Range	Miter Detents (Stops)	Bevel Range	Bevel Detents (Stops)
0° to 52° Left	0°, 15°, 22.5°, 31.62°, 45° Left	0° to 48° Left	0°, 22.5°, 33.85°, 45°, 48 Left
0° to 52° Right	0°, 15°, 22.5°, 31.62°, 45° Right	0° to 48° Right	0°, 22.5°, 33.85°, 45°, 48 Right

Base Molding Capacity	Nested Crown Capacity
6" at 0°	6-5/8"
6" at 45° Left and Right	

Crown Molding Miter Angles

Wall Angle (B)	38° / 52° Miter/Bevel	45°/45° Miter/Bevel
67	42.93/41.08	46.89/36.13
68	42.39/40.79	46.35/35.89
69	41.85/40.50	45.81/35.64
70	41.32/40.20	45.28/35.40
71	40.79/39.90	44.75/35.15
72	40.28/39.61	44.22/34.89
73	39.76/39.30	43.70/34.64
74	39.25/39.00	43.18/34.38
75	38.74/38.69	42.66/34.12
76	38.24/38.39	42.15/33.86
77	37.74/38.08	41.64/33.60
78	37.24/37.76	41.13/33.33
79	36.75/37.45	40.62/33.07
80	36.27/37.13	40.12/32.80
81	35.79/36.81	39.62/32.53
82	35.31/36.49	39.13/32.25
83	34.83/36.17	38.63/31.98
84	34.36/35.85	38.14/31.70
85	33.90/35.52	37.66/31.42
86	33.43/35.19	37.17/31.14
87	32.97/34.86	36.69/30.86
88	32.52/34.53	36.21/30.57
89	32.07/34.20	35.74/30.29
90	31.62/33.86	35.26/30.00
91	31.17/33.53	34.79/29.71
92	30.73/33.19	34.33/29.42
93	30.30/32.85	33.86/29.13
94	29.86/32.51	33.40/28.83
95	29.43/32.17	32.94/28.54
96	29.00/31.82	32.48/28.24
97	28.58/31.48	32.02/27.94
98	28.16/31.13	31.58/27.64
99	27.74/30.78	31.13/27.34
100	27.32/30.43	30.68/27.03
101	26.91/30.08	30.24/26.73
102	26.50/29.73	29.80/26.42
103	26.09/29.38	29.36/26.12
104	25.69/29.02	28.92/25.81
105	25.29/28.67	28.48/25.50
106	24.78/28.31	28.05/25.19

Wall Angle (B)	38° / 52° Miter/Bevel	45°/45° Miter/Bevel
107	24.49/27.95	27.62/24.87
108	24.10/27.59	27.19/24.56
109	23.71/27.23	26.77/24.24
110	23.32/26.87	26.34/23.93
111	22.93/26.51	25.92/23.61
112	22.55/26.15	25.50/23.29
113	22.17/25.78	25.08/22.97
114	21.79/25.42	24.66/22.65
115	21.42/25.05	24.25/22.33
116	21.04/24.68	23.84/22.01
117	20.67/24.31	23.43/21.68
118	20.30/23.94	23.02/21.36
119	19.93/23.57	22.61/21.03
120	19.57/23.20	22.21/20.70
121	19.20/22.83	21.80/20.38
122	18.84/22.46	21.40/20.05
123	18.48/22.09	21.00/19.72
124	18.13/21.71	20.61/19.39
125	17.77/21.34	20.21/19.06
126	17.42/20.96	19.81/18.72
127	17.06/20.59	19.42/18.39
128	16.71/20.21	19.03/18.06
129	16.37/19.83	18.64/17.72
130	16.02/19.45	18.25/17.39
131	15.67/19.07	17.86/17.05
132	15.33/18.69	17.48/16.71
133	14.99/18.31	17.09/16.38
134	14.65/17.93	16.71/16.04
135	14.30/17.55	16.32/15.70
136	13.97/17.17	15.94/15.36
137	13.63/16.79	15.56/15.02
138	13.30/16.40	15.19/14.68
139	12.96/16.02	14.81/14.34
140	12.63/15.64	14.43/14.00
141	12.30/15.25	14.06/13.65
142	11.97/14.87	13.68/13.31
143	11.64/14.48	13.31/12.97
144	11.31/14.09	12.94/12.62
145	10.99/13.71	12.57/12.28
146	10.66/13.32	12.20/11.93

Cutting Compound Miters

The chart below identifies miter and bevel settings for various types of compound miters. Always make trial cuts in scrap material prior to making the cut in the workpiece.

Pitch	Sides							
	4	5	6	7	8	9	10	
0° Miter	45.00°	36.00°	30.00°	25.71°	22.50°	20.00°	18.00°	
0° Bevel	0.00°	0.00°	0.00°	0.00°	0.00°	0.00°	0.00°	
5° Miter	44.89°	35.90°	29.91°	25.63°	22.42°	19.93°	17.94°	
5° Bevel	3.53°	2.94°	2.50°	2.17°	1.91°	1.71°	1.54°	
10° Miter	44.56°	35.58°	29.62°	25.37°	22.19°	19.72°	17.74°	
10° Bevel	7.05°	5.86°	4.98°	4.32°	3.81°	3.40°	3.08°	
15° Miter	44.01°	35.06°	29.15°	24.95°	21.81°	19.37°	17.42°	
15° Bevel	10.55°	8.75°	7.44°	6.45°	5.68°	5.08°	4.59°	
20° Miter	43.22°	34.32°	28.48°	24.35°	21.27°	18.88°	16.98°	
20° Bevel	14.00°	11.60°	9.85°	8.53°	7.52°	6.72°	6.07°	
25° Miter	42.19°	33.36°	27.62°	23.56°	20.58°	18.26°	16.41°	
25° Bevel	17.39°	14.38°	12.20°	10.57°	9.31°	8.31°	7.50°	
30° Miter	40.89°	32.18°	26.57°	22.64°	19.73°	17.50°	15.72°	
30° Bevel	20.70°	17.09°	14.48°	12.53°	11.03°	9.85°	8.89°	
35° Miter	39.32°	30.76°	25.31°	21.53°	18.74°	16.60°	14.90°	
35° Bevel	23.93°	19.70°	16.67°	14.41°	12.68°	11.31°	10.21°	
40° Miter	37.45°	29.10°	23.86°	20.25°	17.60°	15.58°	13.98°	
40° Bevel	27.03°	22.20°	18.75°	16.19°	14.24°	12.70°	11.46°	
45° Miter	35.26°	27.19°	22.21°	18.80°	16.32°	14.43°	12.94°	
45° Bevel	30.00°	24.56°	20.70°	17.87°	15.70°	14.00°	12.62°	
50° Miter	32.73°	25.03°	20.36°	17.20°	14.91°	13.17°	11.80°	
50° Bevel	32.80°	26.76°	22.52°	19.41°	17.05°	15.19°	13.69°	
55° Miter	29.84°	22.62°	18.32°	15.44°	13.36°	11.79°	10.56°	
55° Bevel	35.40°	28.78°	24.18°	20.82°	18.27°	16.27°	14.66°	
60° Miter	26.57°	19.96°	16.10°	13.54°	11.70°	10.31°	9.23°	
60° Bevel	37.76°	30.60°	25.66°	22.07°	19.35°	17.23°	15.52°	
65° Miter	22.91°	17.07°	13.71°	11.50°	9.93°	8.74°	7.82°	
65° Bevel	39.86°	32.19°	26.95°	23.16°	20.29°	18.06°	16.26°	
70° Miter	18.88°	13.95°	11.17°	9.35°	8.06°	7.10°	6.34°	
70° Bevel	41.64°	33.53°	28.02°	24.06°	21.08°	18.75°	16.88°	
75° Miter	14.51°	10.65°	8.50°	7.10°	6.12°	5.38°	4.81°	
75° Bevel	43.08°	34.59°	28.88°	24.78°	21.69°	19.29°	17.37°	
80° Miter	9.85°	7.19°	5.73°	4.78°	4.11°	3.62°	3.23°	
80° Bevel	44.14°	35.37°	29.50°	25.30°	22.14°	19.68°	17.72°	
85° Miter	4.98°	3.62°	2.88°	2.40°	2.07°	1.82°	1.62°	
85° Bevel	44.78°	35.84°	29.87°	25.61°	22.41°	19.92°	17.93°	
90° Miter	0.00°	0.00°	0.00°	0.00°	0.00°	0.00°	0.00°	
90° Bevel	45.00°	36.00°	30.00°	25.71°	22.50°	20.00°	18.00°	

MAINTENANCE



WARNING

To reduce the risk of injury, always unplug your tool before performing any maintenance. Never disassemble the tool or try to do any rewiring on the tool's electrical system. Contact a MILWAUKEE service facility for ALL repairs.

Maintaining Tools

Keep your tool in good repair by adopting a regular maintenance program. Before use, examine the general condition of your tool. Inspect guards, switches, tool cord set and extension cord for damage. Check for loose screws, misalignment, binding of moving parts, improper mounting, broken parts and any other condition that may affect its safe operation. If abnormal noise or vibration occurs, turn the tool off immediately and have the problem corrected before further use. Do not use a damaged tool. Tag damaged tools "DO NOT USE" until repaired (see "Repairs").

Under normal conditions, re-lubrication is not necessary until the motor brushes need to be replaced. After six months to one year, depending on use, return your tool to the nearest MILWAUKEE service facility for the following:

- Lubrication
- Brush inspection and replacement
- Mechanical inspection and cleaning (gears, spindles, bearings, housing, etc.)
- Electrical inspection (switch, cord, armature, etc.)
- Testing to assure proper mechanical and electrical operation



WARNING

To reduce the risk of injury, electric shock and damage to the tool, never immerse your tool in liquid or allow a liquid to flow inside the tool.

Cleaning

Clean dust and debris from vents. Keep the tool handles clean, dry and free of oil or grease. Use only mild soap and a damp cloth to clean your tool since certain cleaning agents and solvents are harmful to plastics and other insulated parts. Some of these include: gasoline, turpentine, lacquer thinner, paint thinner, chlorinated cleaning solvents, ammonia and household detergents containing ammonia. Never use flammable or combustible solvents around tools.

Repairs

If your tool is damaged, return the entire tool to the nearest service center.

ACCESSORIES



WARNING

To reduce the risk of injury, always unplug the tool before attaching or removing accessories. Use only specifically recommended accessories. Others may be hazardous.

For a complete listing of accessories refer to your MILWAUKEE Electric Tool catalog or go on-line to www.milwaukeetool.com. To obtain a catalog, contact your local distributor or a service center.

FIVE YEAR TOOL LIMITED WARRANTY

Every MILWAUKEE electric power tool (including battery charger) is warranted to the original purchaser only to be free from defects in material and workmanship. Subject to certain exceptions, MILWAUKEE will repair or replace any part on a electric power tool which, after examination, is determined by MILWAUKEE to be defective in material or workmanship for a period of five (5) years* after the date of purchase. Return the electric power tool and a copy of proof of purchase to a MILWAUKEE factory Service/Sales Support Branch location or MILWAUKEE Authorized Service Station, freight prepaid and insured, are requested for this warranty to be effective. This warranty does not apply to damage that MILWAUKEE determines to be from repairs made or attempted by anyone other than MILWAUKEE authorized personnel, misuse, alterations, abuse, normal wear and tear, lack of maintenance, or accidents.

* The warranty period for Hoists (lever, hand chain, & electric chain hoists), all Ni-CD battery packs, Work Lights (cordless flashlights), Job Site Radios, and Trade Titan™ Industrial Work Carts is one (1) year from the date of purchase. *The warranty period for Li-Ion battery packs that do not contain V™-technology – 4.0 volts through 18.0 volts - is two (2) years from the date of purchase.

*There is a separate warranty for V™-technology Li-Ion Battery Packs V™18 volts and above that accompany V™-technology cordless power tools:

*Every MILWAUKEE V™-technology Li-Ion Battery Pack 18 volts or above is covered by an initial 1000 Charges/2 Years free replacement warranty. This means that for the earlier of the first 1000 charges or two (2) years from the date of purchase/first charge, a replacement battery will be provided to the customer for any defective battery free of charge. Thereafter, customers will also receive an additional warranty on a pro rata basis up to the earlier of the first 2000 charges or five (5) Years from the date of purchase/first charge. This means that every customer gets an additional 1000 charges or three (3) years of pro rata warranty on the V™-technology Li-Ion Battery Pack 18 volts or above depending upon the amount of use. During this additional warranty period, the customer pays for only the useable service received over and above the first 1000 Charges/2 years, based on the date of first charge and number of charges found on the battery pack via Milwaukee's V™-technology Service Reader.

Warranty Registration is not necessary to obtain the applicable warranty on a MILWAUKEE product. However, proof of purchase in the form of a sales receipt or other information deemed sufficient by MILWAUKEE, is requested. The manufacturing date of the product will be used to determine the warranty period if no proof of purchase is provided at the time warranty service is requested.

ACCEPTANCE OF THE EXCLUSIVE REPAIR AND REPLACEMENT REMEDIES DESCRIBED HEREIN IS A CONDITION OF THE CONTRACT FOR THE PURCHASE OF EVERY MILWAUKEE PRODUCT. IF YOU DO NOT AGREE TO THIS CONDITION, YOU SHOULD NOT PURCHASE THE PRODUCT. IN NO EVENT SHALL MILWAUKEE BE LIABLE FOR ANY INCIDENTAL, SPECIAL, CONSEQUENTIAL OR PUNITIVE DAMAGES, OR FOR ANY COSTS, ATTORNEY FEES, EXPENSES, LOSSES OR DELAYS ALLEGED TO BE AS A CONSEQUENCE OF ANY DAMAGE TO, FAILURE OF, OR DEFECT IN ANY PRODUCT INCLUDING, BUT NOT LIMITED TO, ANY CLAIMS FOR LOSS OF PROFITS. THIS WARRANTY IS EXCLUSIVE AND IN LIEU OF ALL OTHER WARRANTIES OR CONDITIONS, WRITTEN OR ORAL, EXPRESSED OR IMPLIED. WITHOUT LIMITING THE GENERALITY OF THE FOREGOING, MILWAUKEE DISCLAIMS ANY IMPLIED WARRANTY OF MERCHANTABILITY OR FITNESS FOR A PARTICULAR USE OR PURPOSE, AND ALL OTHER WARRANTIES.

This warranty applies to product sold in the U.S.A., Canada and Mexico only.

RÈGLES GÉNÉRALES DE SÉCURITÉ



AVERTISSEMENT

LIRE ET COMPRENDRE TOUTES LES INSTRUCTIONS

Ne pas suivre l'ensemble des instructions décrites ci-dessous peut entraîner une électrocution, un incendie ou des blessures graves.


CONSERVER CES INSTRUCTIONS

SÉCURITÉ DU LIEU DE TRAVAIL

1. **Veiller à ce que le lieu de travail soit propre et bien éclairé.** Le désordre et le manque de lumière favorisent les accidents.
2. **Éviter les environnements dangereux.** Ne pas utiliser un outil électrique sous la pluie, dans un endroit humide ou mouillé, ou dans un environnement explosif (par exemple en présence de fumées gazeuses, de poussière ou de matériaux inflammables). Retirer tous les matériaux ou les débris qui peuvent s'enflammer à cause des étincelles.
3. **Ne laisser personne s'approcher.** S'assurer que les enfants et les curieux se tiennent éloignés du lieu de travail afin d'éviter de distraire l'utilisateur ou d'accrocher l'outil ou le cordon prolongateur.
4. **Protéger les autres personnes qui se trouvent sur le lieu de travail des débris comme les éclats et les étincelles.** Utiliser des écrans ou des déflecteurs, au besoin.
5. **Assurer la sécurité des enfants** dans l'atelier en installant des cadenas et des disjoncteurs généraux ou en retirant les clés de contact.

SÉCURITÉ ÉLECTRIQUE

6. **Les outils mis à la terre doivent être branchés dans une prise électrique installée correctement et mise à la terre conformément à l'ensemble des codes et des ordonnances.** Ne jamais retirer la broche de masse ou modifier la fiche de quelque façon que ce soit. N'utiliser aucune fiche adaptateur. Consulter un électricien qualifié afin de vérifier que la prise est mise à la terre correctement. Dans le cas d'une défaillance électrique ou d'un claquage, la mise à la terre fournit un trajet de faible résistance qui permet d'éloigner le courant de l'utilisateur.

7. **Les outils à double isolation sont munis d'une fiche polarisée (une lame est plus large que l'autre). Cette fiche ne peut être branchée sur une prise polarisée que dans un sens. Si la fiche ne peut pas être insérée dans la prise, l'inverser. Si la fiche ne peut toujours pas être branchée, contacter un électricien qualifié pour installer une prise polarisée. Ne pas modifier la fiche.** L'isolation double  élimine le besoin de cordons d'alimentation à trois fils et de systèmes d'alimentation électrique avec mise à la terre.
8. **Se protéger des chocs électriques** en évitant tout contact du corps avec des surfaces mises à la terre comme les tuyaux, les radiateurs, les cuisinières et les réfrigérateurs. Au moment d'effectuer des coupes en plongée ou avec la vue obstruée, toujours s'assurer de débarrasser l'endroit de tous fils ou tuyaux qui pourraient être cachés. Tenir l'outil par ses surfaces de préhension isolées. Utiliser un disjoncteur de fuite de terre afin de réduire les risques de décharge électrique.
9. **Ne pas exposer l'outil à la pluie ni à l'humidité.**
10. **Ne pas malmenier le cordon. Ne jamais utiliser le cordon pour transporter l'outil ou pour débrancher la fiche d'une prise électrique. Tenir le cordon loin de la chaleur, de l'huile, des rebords tranchants et des pièces en mouvement. Remplacer immédiatement les cordons endommagés.** Les cordons endommagés accroissent le risque d'un choc électrique.

SÉCURITÉ INDIVIDUELLE

11. **Veiller à bien connaître l'outil.** Lire attentivement le manuel d'utilisation afin d'apprendre les applications et les limites de ce type d'outil, ainsi que les risques spécifiques à son utilisation.

12. **Rester vigilant, se concentrer sur son travail et faire preuve de bon sens au moment d'utiliser un outil électrique. Ne pas utiliser cet appareil en cas de fatigue ou sous l'influence de l'alcool, de drogues ou de médicaments.** Un moment d'inattention pendant l'utilisation de ce produit peut résulter en une blessure grave.
13. **Porter une tenue appropriée.** Ne porter ni vêtements amples ni bijoux. Porter une coiffure antiscalp qui permet de confiner les cheveux longs, qui risquent d'être happés par les pièces en mouvement. Pour les travaux à l'extérieur, porter des gants en caoutchouc et des chaussures isolées antidérapantes. Garder les mains et les gants à l'écart des pièces en mouvement.
14. **Réduire le risque de démarrage accidentel.** S'assurer que l'outil est réglé à la position d'arrêt avant de le brancher. Ne pas utiliser l'outil si l'interrupteur ne permet pas de le mettre en marche ou à l'arrêt. Ne pas transporter un outil branché en gardant le doigt sur la gâchette.
15. **Enlever toutes les clés de réglage et de serrage.** Toujours s'assurer que les clés de réglage, de serrage, etc., ont été retirées avant de mettre l'outil en marche.
16. **Ne pas travailler hors de portée. Garder le contrôle.** Toujours se tenir bien campé et en équilibre. Tenir fermement l'outil. Redoubler de prudence si l'outil doit être utilisé dans une échelle, sur un toit, sur un échafaudage, etc.
17. **Utiliser des accessoires de sécurité. Toutes les personnes présentes sur le lieu de travail doivent porter des lunettes de sécurité munies d'écrans latéraux** qui satisfont aux normes de sécurité en vigueur. Les lunettes de vue ordinaires sont munies seulement de verres résistants aux impacts; ce ne sont pas des lunettes de sécurité. Porter une protection auditive lors d'une utilisation prolongée, ainsi qu'un masque anti-poussières pour les opérations poussiéreuses. Selon le type d'opération, porter un casque de sécurité, un masque de protection, des chaussures de sécurité. Garder un extincteur à proximité.
18. **S'assurer que les dispositifs de protection sont en place et fonctionnels.**

19. **Ne jamais monter sur l'outil.** Un basculement ou un démarrage accidentel de l'outil pourrait entraîner des blessures graves.
20. **Garder les mains à l'écart des rebords tranchants et des pièces en mouvement.**

UTILISATION ET ENTRETIEN DE L'OUTIL ÉLECTRIQUE

21. **Assujettir les pièces.** Utiliser un serre joint, un étau ou un autre accessoire pour immobiliser la pièce à travailler et se libérer les mains.
22. **Ne pas forcer l'outil.** L'outil sera plus efficace s'il est utilisé dans les limites des spécifications. Le fait d'utiliser l'outil avec trop de force augmente la fatigue de l'utilisateur et l'usure de l'outil, en plus de réduire le contrôle de celui-ci.
23. **Utiliser l'outil approprié.** Ne jamais utiliser un outil ou un accessoire pour effectuer une tâche pour laquelle il n'est pas conçu. Par exemple, ne pas utiliser une scie circulaire pour couper des racines ou des bûches. Ne pas modifier l'outil.
24. **Débrancher l'outil lorsqu'il n'est pas utilisé,** ou avant de changer d'accessoire ou d'effectuer une opération d'entretien recommandée.
25. **Ranger les outils qui ne sont pas utilisés.** Lorsqu'il n'est pas utilisé, entreposer l'outil dans un endroit sec et sécuritaire. Garder hors de la portée des enfants.
26. **Ne jamais laisser l'outil sans surveillance lorsqu'il est en marche.** Mettre l'outil à l'arrêt. Ne jamais laisser l'outil avant qu'il ne soit complètement arrêté.
27. **Vérifier les pièces afin de s'assurer qu'elles ne sont pas endommagées.** Vérifier les protecteurs et les autres pièces avant d'utiliser l'outil. Être attentif à tout désalignement ou coincement des pièces en mouvement, à toute installation inadéquate, à tout bris ou à toute autre condition préjudiciable au bon fonctionnement de l'outil. En cas de vibrations ou de bruits anormaux, éteindre immédiatement l'appareil et faire corriger le problème avant de poursuivre l'utilisation de l'outil. Ne pas utiliser un outil endommagé. Apposer une étiquette indiquant « NE PAS UTILISER » sur le produit jusqu'à

ce que celui ci soit réparé. La réparation ou le remplacement du dispositif de protection ou de toute autre pièce doivent être confiés à un centre de service *MILWAUKEE*. Pour toutes les réparations, insister pour que l'on utilise exclusivement des pièces identiques à celles d'origine.

28. **Utiliser des accessoires appropriés.** Consulter le présent manuel afin de connaître les accessoires recommandés. L'utilisation d'accessoires inadéquats peut être dangereuse. S'assurer que les accessoires sont installés et entretenus correctement. Ne pas retirer les protecteurs et les autres dispositifs de sécurité au moment d'installer un accessoire.

29. **Maintain tools carefully.** Keep handles dry, clean and free from oil and grease. Keep cutting edges sharp and clean. Follow instructions for lubricating and changing accessories. Periodically inspect tool cords and extension cords for damage. Have damaged parts repaired or replaced by a *MILWAUKEE* service facility.

ENTRETIEN

30. **Maintain labels & nameplates.** These carry important information. If unreadable or missing, contact a *MILWAUKEE* service facility for a free replacement.

31. **Tool service must be performed only by qualified repair personnel.** Service or maintenance performed by unqualified personnel may result in a risk of injury.

32. **When servicing a tool, use only identical replacement parts. Follow instructions in the maintenance section of this manual.** Use of unauthorized parts or failure to follow maintenance instructions may create a risk of shock or injury.

RÈGLES DE SÉCURITÉ SPÉCIFIQUES

1. **Garder les mains hors du passage de la lame.**
2. **Ne jamais passer les mains ou les bras autour, en dessous ou en travers de la lame.**
3. **Ne jamais placer les mains sous le moteur ou dans le passage de la lame.** Attendre l'arrêt complet de la lame avant de relever la pièce coupée. Ne jamais placer les mains ou les doigts devant ou derrière la lame de la scie.

4. **Vérifier le bon fonctionnement des protecteurs avant chaque utilisation.**
5. **Ne pas retirer les protecteurs et ne pas utiliser l'outil sans les protecteurs.**
6. **Éviter les rebonds.** Un rebond est une réaction soudaine attribuable au pincement ou au coincement de la lame qui projette la tête porte scie vers le haut et en direction de l'utilisateur. Pour diminuer le risque de rebond, il importe de bien sélectionner et entretenir la lame, de bien sélectionner et soutenir la pièce à travailler ainsi que de maintenir une vitesse d'aménagement stable de celle ci.
7. **Toujours soutenir les pièces adéquatement.** Utiliser le guide, des blocs de support, un support de travail auxiliaire ou des serre joints afin de maintenir la pièce à travailler en place. Toujours soutenir l'extrémité libre d'une pièce à travailler et les pièces à travailler de petite taille. Les pièces gauchies peuvent coincer la lame et entraîner un rebond. Ne jamais travailler à main levée (sans l'aide du guide).
8. **Les pièces à travailler minces** ont tendance à gauchir ou à se courber. Elles doivent être bien soutenues sur toute la longueur afin d'éviter le coincement de la lame.
9. **Régler le guide adéquatement.** Le guide peut être réglé pour effectuer des coupes combinées et des coupes d'onglet. Toujours s'assurer que le guide est ajusté en fonction de la coupe désirée. Ne jamais utiliser la scie sans que le guide ne soit en place.
10. **Vérifier la poignée du serre joint ainsi que le levier de réglage de biseau pour s'assurer qu'ils sont serrés solidement avant d'effectuer une coupe.**
11. **Utiliser la lame appropriée.** N'utiliser que les modèles de lame recommandés dans les tailles recommandées, dotés des trous de montage adéquats et capables d'une vitesse de rotation minimale de 5 500 r/min. Vérifier les flèches de rotation sur la lame afin d'installer celle ci correctement. Garder les lames tranchantes afin d'éviter la fissuration et le broutage. Ne jamais utiliser de rondelles ou de boulons incorrects ou défectueux.
12. **Ne pas utiliser de meules abrasives avec cet appareil.**

13. **Garder les lames tranchantes et propres.** Une lame non affûtée ou mal affûtée peut produire un trait de scie étroit et être pincée par la pièce. Une lame émoussée produit une friction excessive ce qui peut entraîner le gauchissement ou le coincement de la lame. Vérifier que les vis de la lame sont bien serrées afin d'éviter qu'elles ne glissent ou ne se desserrent lors de la coupe.
14. **Attendre que la lame atteigne sa vitesse maximale avant d'abaisser la tête porte scie et de débiter le sciage.**
15. **Abaisser la scie vers la pièce à travailler. Ne pas remonter la scie à travers la pièce à travailler.** Afin d'effectuer une coupe, lever la tête porte scie et la placer AU DESSUS de la pièce à travailler SANS faire tourner la lame. Démarrer le moteur de l'outil et attendre quelques secondes que la lame atteigne sa vitesse maximale. Abaisser ensuite la tête porte scie et la passer à travers la pièce à couper.
16. **Ne pas appuyer sur l'interrupteur MARCHE/ARRÊT en alternance si la lame est bloquée.** Une lame émoussée ou une pression excessive peuvent entraîner le blocage de la lame. Si la lame se coince ou si la scie est bloquée, éteindre l'outil immédiatement et retirer la scie de la pièce à travailler.
17. **Redémarrage de l'outil au milieu d'une coupe.** Si la scie est arrêtée en cours d'opération, laisser la lame s'arrêter complètement et retirer la tête porte scie de la coupe. Redémarrer ensuite l'outil.
18. **Ne pas verrouiller l'interrupteur à la position MARCHE.**
19. **Tenir le cordon de l'outil éloigné de la zone de coupe.** Placer le cordon de manière à ce que personne ne trébuche dessus et le maintenir hors de la zone de coupe.

20. **Ne pas couper de clous.** Vérifier s'il y a des clous dans la pièce à travailler et retirer ceux ci avant de procéder à la coupe de la pièce.
21. **Toujours attendre l'arrêt complet de la lame avant de modifier les réglages,** de retirer une pièce coupée ou de préparer la prochaine coupe. Débrancher l'outil avant de serrer les vis de la lame, d'effectuer l'entretien de l'outil, d'effectuer un réglage, de transporter ou de déplacer la scie.
22. **Abaisser la tête porte scie avant de transporter l'outil.**
23. **AVERTISSEMENT :** Les travaux à la machine tels que ponçage, sciage, meulage, perçage et autres travaux de construction peuvent créer des poussières contenant des produits chimiques qui sont des causes reconnues de cancer, de malformation congénitale ou d'autres problèmes relatifs à la reproduction. Voici certains exemples de ces produits chimiques :
 - le plomb provenant des peintures à base de plomb;
 - la silice cristalline contenue dans les briques, le ciment et d'autres produits de maçonnerie;
 - l'arsenic et le chrome contenus dans le bois de construction traité par produits chimiques.Le risque présenté par l'exposition à ces produits varie en fonction de la fréquence de ce type de travail. Pour réduire l'exposition à ces produits chimiques, il faut travailler dans un lieu bien ventilé et porter un équipement de sécurité approprié tel que certains masques à poussière conçus spécialement pour filtrer les particules microscopiques.

MISE A LA TERRE



AVERTISSEMENT

Si le fil de mise à la terre est incorrectement raccordé, il peut en résulter des risques de choc électrique. Si vous n'êtes pas certain que la prise dont vous vous servez est correctement mise à la terre, faites-la vérifier par un électricien. N'altérez pas la fiche du cordon de l'outil. N'enlevez pas de la fiche, la dent qui sert à la mise à la terre. N'employez pas l'outil si le cordon ou la fiche sont en mauvais état. Si tel est le cas, faites-les réparer dans un centre-service MILWAUKEE accrédité avant de vous en servir. Si la fiche du cordon ne s'adapte pas à la prise, faites remplacer la prise par un électricien.

Outils mis à la terre : Outils pourvus d'une fiche de cordon à trois dents

Les outils marqués « Mise à la terre requise » sont pourvus d'un cordon à trois fils dont la fiche a trois dents. La fiche du cordon doit être branchée sur une prise correctement mise à la terre (voir Figure A). De cette façon, si une défectuosité dans le circuit électrique de l'outil survient, le relais à la terre fournira un conducteur à faible résistance pour décharger le courant et protéger l'utilisateur contre les risques de choc électrique.

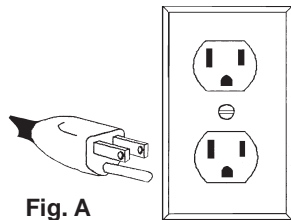


Fig. A

La dent de mise à la terre de la fiche est reliée au système de mise à la terre de l'outil via le fil vert du cordon. Le fil vert du cordon doit être le seul fil raccordé à un bout au système de mise à la terre de l'outil et son autre extrémité ne doit jamais être raccordée à une borne sous tension électrique.

Votre outil doit être branché sur une prise appropriée, correctement installée et mise à la terre conformément aux codes et ordonnances en vigueur. La fiche du cordon et la prise de courant doivent être semblables à celles de la Figure A.

Outils à double isolation : Outils pourvus d'une fiche de cordon à deux dents

Les outils marqués « Double Isolation » n'ont pas besoin d'être raccordés à la terre. Ils sont pourvus d'une double isolation conforme aux exigences de l'OSHA et satisfont aux normes de l'Underwriters Laboratories, Inc., de l'Association canadienne de normalisation (ACNOR) et du « National Electrical Code » (code national de l'électricité). Les outils à double isolation peuvent être branchés sur n'importe laquelle des prises à 120 volt illustrées ci-contre Figure B et C.

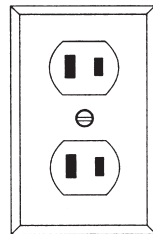


Fig. B

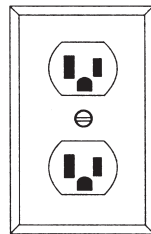


Fig. C

Pictographie

	Double Isolation		Courant alternatif
	Underwriters Laboratories, Inc.	$n_0 \text{XXXX} \text{min.}^{-1}$	Tours-minute à vide (RPM)
	Tenez toujours les mains à l'écart de la ligne de coupe.	A	Ampères

CORDONS DE RALLONGE

Si l'emploi d'un cordon de rallonge est nécessaire, un cordon à trois fils doit être employé pour les outils mis à la terre. Pour les outils à double isolation, on peut employer indifféremment un cordon de rallonge à deux ou trois fils. Plus la longueur du cordon entre l'outil et la prise de courant est grande, plus le calibre du cordon doit être élevé. L'utilisation d'un cordon de rallonge incorrectement calibré entraîne une chute de voltage résultant en une perte de puissance qui risque de détériorer l'outil. Reportez-vous au tableau ci-contre pour déterminer le calibre minimum du cordon.

Moins le calibre du fil est élevé, plus sa conductivité est bonne. Par exemple, un cordon de calibre 14 a une meilleure conductivité qu'un cordon de calibre 16. Lorsque vous utilisez plus d'une rallonge pour couvrir la distance, assurez-vous que chaque cordon possède le calibre minimum requis. Si vous utilisez un seul cordon pour brancher plusieurs outils, additionnez le chiffre d'intensité (ampères) inscrit sur la fiche signalétique de chaque outil pour obtenir le calibre minimal requis pour le cordon.

Directives pour l'emploi des cordons de rallonge

- Si vous utilisez une rallonge à l'extérieur, assurez-vous qu'elle est marquée des sigles « W-A » (« W » au Canada) indiquant qu'elle est adéquate pour usage extérieur.
- Assurez-vous que le cordon de rallonge est correctement câblé et en bonne condition. Remplacez tout cordon de rallonge détérioré ou faites-le remettre en état par une personne compétente avant de vous en servir.
- Tenez votre cordon de rallonge à l'écart des objets ranchants, des sources de grande chaleur et des endroits humides ou mouillés.

Calibres minimaux recommandés pour les cordons de rallonge*

Fiche signalétique Ampères	Longueur du cordon de rallonge (m)					
	7,6	15,2	22,8	30,4	45,7	60,9
0 - 5,0	16	16	16	14	12	12
5,1 - 8,0	16	16	14	12	10	--
8,1 - 12,0	14	14	12	10	--	--
12,1 - 15,0	12	12	10	10	--	--
15,1 - 20,0	10	10	10	--	--	--

* Basé sur une chute de voltage limite de 5 volts à 150% de l'intensité moyenne de courant.

LISEZ ATTENTIVEMENT CES INSTRUCTIONS ET CONSERVEZ-LES POUR LES CONSULTER AU BESOIN.

Spécifications

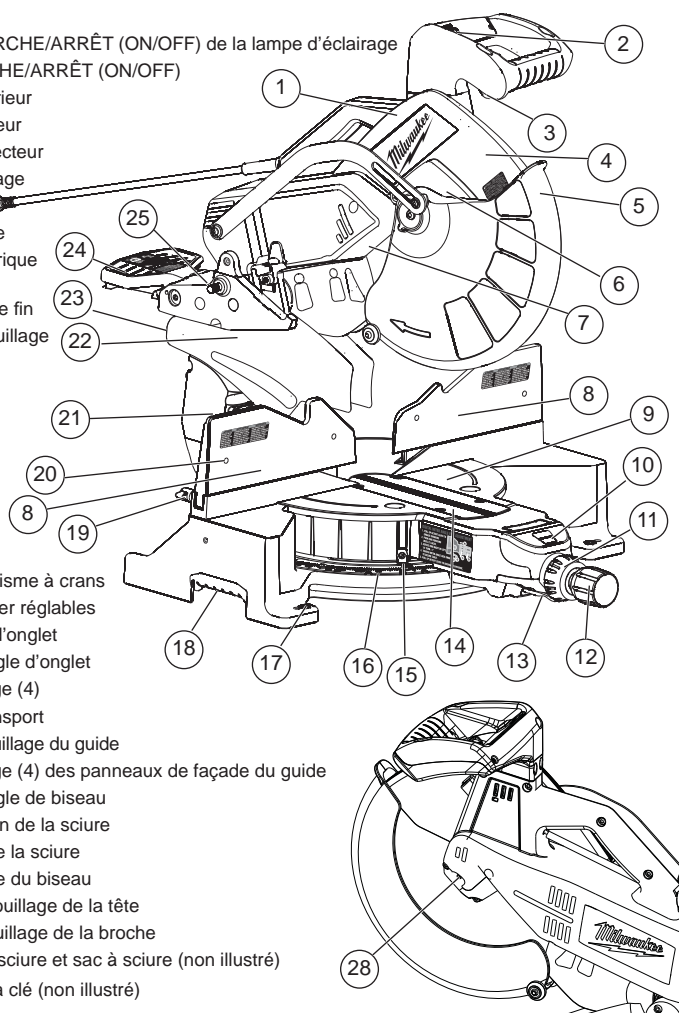
No de Cat.	Volts c.a.	Amps	T/Min. à vide	Taille de l'axe	Taille de la lame	Poids
6950-20	120	15	3 200	5/8"	305 mm (12")	55 lbs

Capacités

Coupes d'onglet				Coupes combinées	
Hauteur maximale à 90°	Hauteur maximale à 45°	Largeur maximale à 90°	Largeur maximale à 45°	Capacité de coupe avec onglet à 45° et biseau à 45°	
				gauche	droite
152,4 mm (6 po) de hauteur pour 69,9 mm (2,75 po) de largeur	152,4 mm (6 po) de hauteur pour 21,6 mm (0,85 po) de largeur	199,4 mm (7,85 po) de largeur pour 85,6 mm (3,37 po) de hauteur	139,7 mm (5,5 po) de largeur pour 85,6 mm (3,37 po) de hauteur	139,7 mm (5,5 po) de largeur pour 42,2 mm (1,66 po) de hauteur	139,7 mm (5,5 po) de largeur pour 33 mm (1,3 po) de hauteur

DESCRIPTION FONCTIONNELLE

1. Tête porte-scie
2. Interrupteur MARCHE/ARRÊT (ON/OFF) de la lampe d'éclairage
3. Gâchette MARCHE/ARRÊT (ON/OFF)
4. Protecteur supérieur
5. Protecteur inférieur
6. Support de protecteur
7. Lampes d'éclairage
8. Guide
9. Plaque tournante
10. Indicateur numérique d'angle d'onglet
11. Collier de réglage fin
12. Bouton de verrouillage d'angle d'onglet



13. Levier du mécanisme à crans
14. Plaques à entailler réglables
15. Aiguille d'angle d'onglet
16. Rapporteur d'angle d'onglet
17. Trous de montage (4)
18. Poignées de transport
19. Bouton de verrouillage du guide
20. Trous de montage (4) des panneaux de façade du guide
21. Rapporteur d'angle de biseau
22. Conduit d'éjection de la sciure
23. Port d'éjection de la sciure
24. Levier de réglage du biseau
25. Goupille de verrouillage de la tête
26. Bouton de verrouillage de la broche
27. Coude du sac à sciure et sac à sciure (non illustré)
28. Rangement de la clé (non illustré)

CARACTÉRISTIQUES

Système de scie à onglets

La scie à onglets *MILWAUKEE* modèle 6950-20 est munie d'une plaque en acier robuste avec des crans (arrêts). Cette plaque d'acier est très résistante et permet une précision répétée à chacun des crans. L'angle d'onglet peut être réglé à l'aide des crans afin donner les angles de coupe les plus fréquemment utilisés soit 0°, 15°, 22,5°, 31,62°, 45° à droite et à gauche. Le modèle 695020 offre une plage d'angles de coupe de 52° à gauche et à droite. Le roulement de qualité industrielle permet d'ajuster la plaque tournante rapidement et de façon précise sur n'importe quel de ces angles.

Fonction de réglage fin de l'angle d'onglet

Pour certains travaux de menuiserie minutieuse, notamment la conception d'un cadre de fenêtre ou de porte, il peut être nécessaire de compenser l'absence d'angles droits par un réglage fin de l'angle d'onglet de la plaque tournante. Le système de réglage fin de l'angle d'onglet permet d'effectuer ce processus de façon simple et rapide, particulièrement lorsque la scie est positionnée près d'un cran d'onglet (arrêt).

Indicateur numérique d'angle d'onglet

La scie à onglets *MILWAUKEE* modèle 6950-20 possède un indicateur numérique d'angle d'onglet situé sur le devant la plaque tournante qui permet de fixer l'angle d'onglet de la plaque tournante avec une précision de 0,1°. L'indicateur numérique d'angle d'onglet est fondé sur la précision mécanique de la plaque tournante. Il n'est pas nécessaire d'effectuer l'ajustement du dispositif d'affichage puisque l'étalonnage s'effectue automatiquement à chaque fois que la plaque tournante est positionnée sur un cran d'onglet.

L'utilisation du système de réglage fin de l'angle d'onglet jumelée à celle de l'indicateur numérique permet d'ajuster légèrement l'angle de coupe de façon précise et rapide sur la plage d'angles d'onglet. L'utilisation combinée de ces fonctions permet de simplifier l'ajustement de la plaque tournante et la répétition de tout réglage d'angle d'onglet.

Lorsque la plaque tournante est positionnée à un angle d'onglet à GAUCHE, l'indicateur numérique affichera le symbole (-) devant l'angle (par exemple : -22,5° ou -44,7°). Lorsque la plaque tournante est positionnée à un angle d'onglet à DROITE, l'indicateur numérique présentera les données comme suit : 22,5° ou 44,7°.

Fonction de réglage à double biseau

La fonction de réglage à double biseau permet d'effectuer des ajustements de façon rapide et précise pour les angles de coupe à gauche et à droite. L'angle de biseau peut être réglé à l'aide des crans (arrêts) afin de donner les angles de coupe utilisés les plus fréquemment soit 0°, 22,5°, 33,85° et 45° à droite et à gauche. Le mécanisme de coupe en biseau offre également plusieurs degrés de coupe supplémentaire au delà de 45° tant à droite qu'à gauche.

Circuit électronique de commande de rétroaction

Le circuit électronique de commande de rétroaction aide à améliorer l'utilisation de l'outil ainsi que sa durée de vie. Il permet à l'outil de maintenir une vitesse et un couple constants entre les conditions de charge et les conditions sans charge. Le démarrage en douceur permet de minimiser la réaction de couple au démarrage tant pour l'outil que pour l'utilisateur et d'augmenter la vitesse graduellement de zéro à la vitesse maximale à vide.

Frein électrique

Le frein électrique s'engage lorsque la gâchette est relâchée ce qui entraîne l'arrêt de la lame et permet d'effectuer l'opération désirée. La lame s'arrête généralement en 4 à 5 secondes. Il peut toutefois y avoir un délai entre le moment où la gâchette est relâchée et le moment où le frein électrique s'engage. Le frein peut parfois ne pas fonctionner. Si cela est fréquent, un entretien devra alors être effectué par un centre de service *MILWAUKEE* autorisé. Le frein électrique ne doit pas être considéré comme un substitut aux protecteurs, il est donc essentiel de toujours attendre l'arrêt complet de la lame avant de retirer celle-ci du trait de scie.

Lampes d'éclairage

La scie à onglets *MILWAUKEE* modèle 6950-20 possède deux lampes d'éclairage haute puissance situées des deux côtés de la lame afin d'éclairer la zone de coupe ainsi que la pièce à travailler de façon à assurer une bonne vision de la lame lorsqu'elle s'approche de la ligne de taille. L'interrupteur MARCHE/ARRÊT des lampes d'éclairage est situé sur la poignée de la gâchette. Les ampoules, de modèle standard GE 193, ont une durée de vie de plusieurs années.

Collecteur de sciure

Le collecteur de sciure de la scie à onglets MILWAUKEE modèle 6950-20 est muni d'une chute à sciure située des deux côtés de la lame afin de capter et de diriger la poussière vers l'arrière de la scie. Un sac à sciure ainsi qu'un coude pour ce sac sont inclus avec la scie et peuvent être fixés à l'embout de la chute à sciure. Une fermeture à glissière, située au bas du sac à sciure, permet de vider facilement le sac. Lorsque la scie est utilisée sur un banc de scie, la fermeture à glissière du sac à sciure peut demeurer ouverte afin de permettre à la sciure de tomber dans un récipient à déchets.

MONTAGE DE L'OUTIL



AVERTISSEMENT

Pour minimiser les risques de blessures, débranchez toujours l'outil avant d'y faire des réglages, d'y attacher ou d'en enlever les accessoires. L'usage d'accessoires autres que ceux qui sont spécifiquement recommandés pour cet outil peut comporter des risques.

Réglage de la scie à onglets

Le réglage complet de la scie à onglets modèle 6950-20 est effectué à l'usine. Si le transport et la manutention ont dérégulé l'outil, veuillez suivre les instructions ci dessous afin d'effectuer le réglage de la scie avec précision. Ce réglage devrait conserver sa précision s'il est effectué correctement et si l'utilisation et le transport de l'outil s'effectuent dans des conditions normales.

Équerrage de la lame (à 90°) par rapport au guide (onglet à 0°)

1. Débrancher la scie.
2. Placer une équerre contre le guide et la lame et éviter que l'équerre touche aux dents de la lame, ce qui rendrait la mesure imprécise.
3. Desserrer le bouton de verrouillage de l'onglet et aligner la scie pour fixer l'onglet à 0°. Ne pas serrer le bouton de verrouillage.
4. Si la lame de scie n'est pas exactement perpendiculaire au guide, utiliser la clé fournie pour desserrer les vis qui permettent de fixer le rapporteur d'onglet sur la base. Déplacer le rapporteur vers la

Poignées de transport

Afin de faciliter le transport de la scie, des poignées sont situées de chaque côté de la plaque et une poignée supplémentaire se trouve sur le dessus de la tête porte scie. Toujours verrouiller la tête porte scie vers le bas lors du transport.

gauche ou la droite jusqu'à ce que la lame soit perpendiculaire au guide et vérifier à l'aide d'une équerre. Resserrer les vis.

5. Desserrer la vis de réglage de l'aiguille d'angle d'onglet et replacer l'aiguille de manière à ce qu'elle indique le zéro. Une fois l'aiguille placée correctement, resserrer la vis.

Équerrage de la lame (à 90°) par rapport à la table (biseau à 0°)

1. Débrancher la scie.
2. Placer l'équerre contre la table et la lame et éviter que l'équerre touche aux dents de la lame, ce qui rendrait la mesure imprécise.
3. Retirer les 6 vis qui tiennent ensemble les parois du port d'éjection de la sciure.
4. Déplacer le levier de réglage du biseau jusqu'au milieu et enfoncer là un outil (tournevis, etc.) pour garder la poignée dans cette position. Déplacer la tête porte scie jusqu'à ce que le mécanisme à crans du biseau s'arrête sur la position 0°.
5. Desserrer les 2 vis (T25) situées en avant de l'axe de biseau. Ces vis sont utilisées pour serrer le corps du mécanisme à crans.
6. À l'aide d'une clé T25, il est possible d'ajuster l'angle de biseau de la lame par rapport à la table. Tourner la vis dans le sens horaire pour incliner la lame vers la droite et la tourner dans le sens antihoraire pour incliner la lame vers la gauche.
7. Une fois la lame réglée pour un biseau à 0°, serrer les 2 vis jusqu'à 85 100 po lb.
8. Retirer l'outil qui a été utilisé afin de bloquer le levier de réglage du biseau.

9. Amener le levier de réglage du biseau à la position « lock » (verrouillage).
10. Réassembler les parois du port d'éjection de la sciure et serrer solidement les 6 vis.
11. Au besoin, desserrer les vis de réglage de l'aiguille d'angle de biseau et la replacer de manière à ce qu'elle indique le zéro. Une fois l'aiguille placée correctement, resserrer les vis.

Installation de la scie à onglets

Pour empêcher l'outil de glisser, basculer ou tomber en cours d'opération, il est possible de le monter sur une surface de support comme un établi robuste et de niveau. Disposer la scie et l'établi de manière à avoir suffisamment d'espace pour procéder à la coupe transversale de longues pièces à travailler. Pour fixer la scie sur l'établi, insérer des pièces de fixation dans les trous situés dans les coins de la base de la scie.

Installation du sac à sciure

Utiliser le sac à sciure pour recueillir ou écarter la sciure. Insérer le coude du sac à sciure dans le port d'éjection de la sciure situé à l'arrière de la scie. Fixer ensuite le sac à sciure en l'accrochant sur le coude. Toujours vider le sac avant d'entreposer l'outil et le vider fréquemment durant l'utilisation.

Élévation et abaissement de la tête porte scie

Il importe de bloquer la tête porte scie en position basse au moment de transporter et d'entreposer l'outil. L'outil est expédié avec la tête porte scie verrouillée dans cette position. Pour la déverrouiller, appuyer sur la tête et la tenir baissée tout en enlevant la goupille de verrouillage.

Verrouillage

La gâchette comprend un trou dans lequel il est possible d'insérer un cadenas afin de verrouiller l'outil lorsqu'il n'est pas utilisé. Utiliser un cadenas doté d'un arceau de 6,35 mm (1/4 po) et toujours s'assurer de débrancher l'outil avant de l'installer (le cadenas n'est pas fourni avec l'outil).

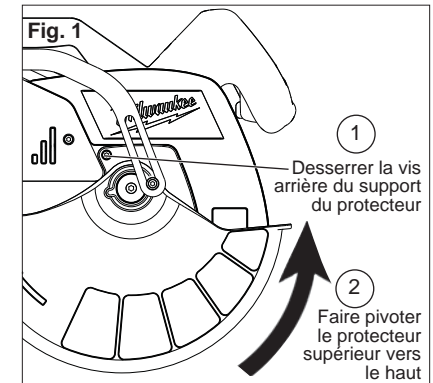
Choix de la lame de scie à onglets appropriée

Utiliser seulement des lames de scie à onglets coulissantes avec la scie à onglets coulissante à double biseau MILWAUKEE.

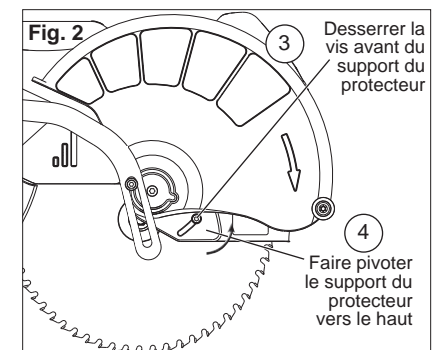
Installation et changement des lames

Toujours s'assurer que les lames sont propres et tranchantes. Les lames émoussées ont tendance à provoquer une surcharge de l'outil, ainsi qu'à se coincer et à être pincées. Utiliser des lames de 305 mm (12 po) homologuées pour une vitesse d'au moins 5 500 r/min.

1. Débrancher l'outil.
2. Tout en gardant la tête porte scie levée, utiliser la clé fournie (1) pour desserrer de 1/4 de tour la vis arrière du support du protecteur.
3. Relever le protecteur inférieur (2).

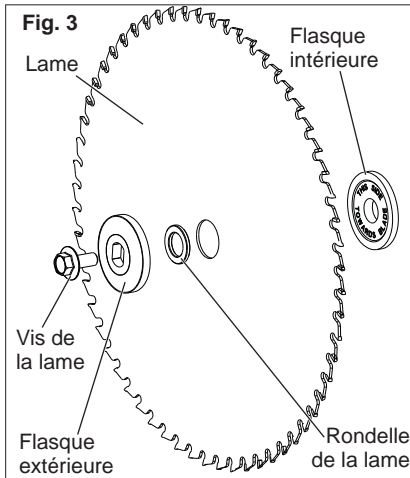


4. Desserrer (sans la retirer) la vis avant du support de protecteur (3) jusqu'à ce qu'il soit possible de relever le support du protecteur et d'exposer la vis de la lame (4). Abaisser le protecteur inférieur jusqu'à ce qu'il s'appuie sur la vis avant du support du protecteur. Cela permettra de soutenir le protecteur et de le garder à l'écart pendant le changement de la lame.



5. Appuyer sur le bouton de verrouillage de la broche et tourner la broche jusqu'à ce que le bouton de verrouillage s'enclenche.

6. À l'aide de la clé, desserrer et retirer la vis de la lame filetée à gauche en la tournant dans le sens horaire.
7. Retirer les flasques de lame extérieure et intérieure, la lame ainsi que la rondelle de la lame. Essuyer les flasques, la rondelle et la broche afin de retirer la poussière et les débris. Examiner les pièces afin de s'assurer qu'elles ne sont pas endommagées. Remplacer les pièces au besoin.
8. Installer la flasque de lame intérieure, tel qu'illustré.



9. Insérer la rondelle de la lame dans l'alésage central de la lame.
10. Faire correspondre la flèche située sur la lame avec celle qui est située sur le protecteur inférieur. Glisser la lame dans le protecteur supérieur et sur la broche.
11. Installer la flasque de lame extérieure.
12. Appuyer sur le bouton de verrouillage de la broche et tourner la broche jusqu'à ce que le bouton de verrouillage s'enclenche. Insérer la vis de la lame et la serrer solidement en la tournant dans le sens antihoraire à l'aide de la clé.
13. Tourner le support du protecteur en position et serrer solidement les deux vis. Remettre la clé dans le rangement de la clé.
14. Abaisser la tête porte scie et vérifier le dégagement entre la lame et les plaques à entailler réglables. Important : le protecteur inférieur doit bouger librement. La lame doit également tourner librement (voir la section intitulée « plaques à entailler réglables »).

Réglage des plaques à entailler

Les plaques à entailler, en soutenant la rive de la pièce à travailler, permettent de réduire les déchirures et l'éclatement le long de la coupe. La largeur des lames variant, ajuster les plaques en conséquence à chaque changement.

Ne jamais procéder à la coupe d'une pièce sans avoir installé les plaques à entailler réglables. Celles-ci peuvent être réglées à leur largeur maximale afin de s'adapter à des lames de toute largeur ainsi qu'à tout angle de biseau s'il n'y a aucun risque de déchirure ou d'écaillage du matériau.

1. Débrancher l'outil.
2. Installer la lame qui doit être utilisée. Chaque fois que la lame est changée, s'assurer que les plaques à entailler sont réglées correctement.
3. Régler l'angle de biseau. Chaque fois que l'angle de biseau est modifié, s'assurer que les plaques à entailler sont réglées correctement.
4. Desserrer les six vis de réglage des plaques à entailler.
5. Abaisser la tête porte scie de manière à obtenir la profondeur de coupe maximale (abaisser complètement la tête).
6. Glisser les plaques à entailler de manière à obtenir l'espace désiré et serrer les six vis.
7. Avant de démarrer l'outil, s'assurer que la lame de la scie n'entre pas en contact avec les plaques à entailler.

MANIEMENT



AVERTISSEMENT

Pour réduire le risque de blessure, porter des lunettes de sécurité munies d'écrans latéraux. Toujours attendre l'arrêt complet de la lame et débrancher l'outil avant de changer d'accessoire ou d'effectuer des réglages. Ne pas retirer les protecteurs.

Utilisation de panneaux de façade pour le guide (sous guides à dégagement nul)

On retrouve dans le guide des trous de montage qui permettent d'y fixer des panneaux de façade. Ces panneaux éloignent le guide de la pièce à travailler, ce qui permet de mieux soutenir certaines pièces à travailler. Ils permettent également de réduire l'éclatement de la pièce à travailler. Si la largeur du guide augmente, on pourra couper une pièce légèrement plus haute (quant à elle, toutefois, la largeur maximale pouvant être coupée diminuera légèrement). De la même façon, si l'utilisateur place un panneau sur la plaque de la scie et la pièce à travailler sur le dessus de ce panneau, il est possible de couper une pièce plus large (mais moins haute).

Protecteurs

L'outil est expédié avec les protecteurs supérieur et inférieur installés. Le protecteur inférieur doit recouvrir la lame lorsque la tête porte scie est relevée et il doit bouger librement et s'ouvrir automatiquement au moment d'abaisser la tête porte scie dans la pièce à travailler. Si le protecteur inférieur semble desserré, s'il est bloqué ou s'il est impossible de le déplacer pour recouvrir la lame lorsque la tête porte scie est relevée, serrer les vis du support du protecteur. S'il ne bouge toujours pas librement, confier la scie à un centre de réparations agréé. Ne pas tenter d'ouvrir le protecteur au delà de ce que permet le mécanisme automatique.

Choix de la pièce à travailler

Éviter les pièces poisseuses, noueuses, mouillées ou gauchies. Ces matériaux ont tendance à créer des pincements. Les pièces qui s'arquent et qui pincen la lame peuvent entraîner un rebond. Examiner les pièces avant de les couper pour retirer les clous, le cas échéant. Toujours s'assurer que la lame est propre et tranchante, autrement elle produira une entaille étroite et aura tendance à être pincée par la pièce à travailler. Il n'est pas recommandé d'utiliser cet outil pour couper des métaux ferreux comme le fer et l'acier. Consulter la section « Applications » afin de prendre connaissance de la liste complète des matériaux pouvant être coupés par l'outil.

Soutien adéquat de la pièce à travailler

Toujours soutenir la pièce à travailler pendant l'opération, autrement elle peut se soulever et être entraînée vers l'arrière de la scie.

1. Utilisation du guide : Aligner la pièce à travailler pour qu'elle soit d'aplomb avec le guide afin d'offrir un chemin de coupe droit à la lame de la scie. Cela permettra d'éviter que les dents de la lame ne se coincent. Le guide peut servir de support pour les coupes d'onglet, en biseau et composées.
2. Utilisation d'un serre joint : Attacher la pièce à travailler sur le guide ou la base à l'aide d'une presse en C.

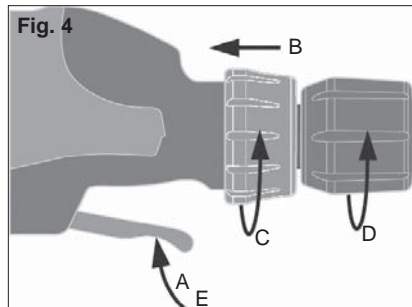
Soutien des pièces à travailler plus longues

Il importe de soutenir les pièces à travailler plus longues sur toute leur longueur. Si la scie est utilisée sur un établi, relever la pièce à travailler à une hauteur de 120,65 mm (4 3/4 po) à partir de la base de la scie. Plusieurs types de bancs de scie vendus sur le marché secondaire sont conçus spécialement pour les scies à onglets, ce qui permet de soutenir tous les types de pièces à travailler.

Réglage de l'angle d'onglet

Il est possible d'ajuster l'angle d'onglet à l'aide du mécanisme à crans afin d'obtenir des angles de coupe standards et précis. Utiliser l'aiguille d'angle d'onglet pour régler la plaque tournante à un degré donné de la plage d'angles d'onglet. L'indicateur numérique d'angle d'onglet affiche l'angle sélectionné.

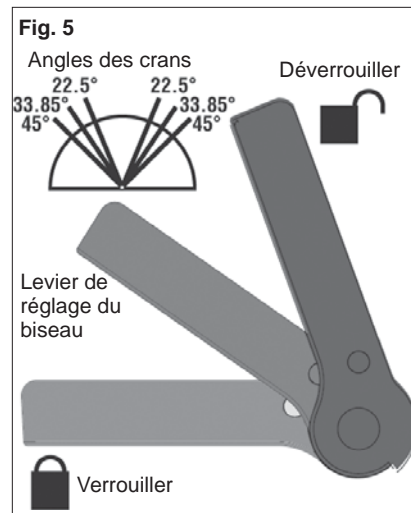
1. Desserrer le bouton de verrouillage d'angle d'onglet.
2. Pour régler l'angle d'onglet, soulever le levier du mécanisme à crans et faire pivoter la plaque tournante vers le cran le plus près de l'angle désiré. La scie permet de couper des angles qui se situent entre 55° vers la gauche et 60° vers la droite. Les crans sont situés à 0°, 15°, 22,5°, 32,62°, 45° et 60°.
3. Serrer le bouton de verrouillage d'angle d'onglet sur le cran choisi avant d'entreprendre une coupe.
4. Pour effectuer un réglage fin de l'angle d'onglet :
 - A. Soulever le levier du mécanisme à crans et le maintenir relevé.
 - B. Pousser le collier de réglage fin vers l'avant jusqu'à ce qu'il s'enclenche de manière à effectuer un dépassement.
 - C. Tourner le collier de réglage fin vers la gauche ou la droite jusqu'à ce que l'angle désiré s'affiche sur l'indicateur numérique d'angle d'onglet. ¼ tour = une modification de 1° de l'angle d'onglet.
 - D. Serrer le bouton de verrouillage d'angle d'onglet afin de bien fixer la table d'onglet avant procéder à la coupe.
 - E. Soulever le levier du mécanisme à crans afin de relâcher le collier de réglage fin.



Réglage de l'angle de biseau

Il est possible d'ajuster l'angle de biseau à l'aide du mécanisme à crans afin d'obtenir des angles de coupe standards. Pour obtenir des angles de coupe différents, utiliser le rapporteur d'angle de biseau. Le mécanisme de biseau permet également plusieurs degrés de dépassement de la fin de course à gauche et à droite.

1. Débrancher l'outil.
2. Au moment de régler l'angle de biseau, placer une main sur la poignée avant pour conserver un meilleur contrôle.
3. Avec l'autre main, soulever le levier de réglage du biseau :
 - A. Pour positionner l'outil sur un des crans, soulever le levier de réglage du biseau jusqu'à mi hauteur (jusqu'à ce qu'il « s'enclenche ») afin de déplacer la tête porte scie vers la gauche ou la droite jusqu'au cran choisi.
 - B. Pour bouger librement la tête porte scie sur le rapporteur, soulever entièrement le levier de réglage du biseau.
4. Tirer ou pousser la tête porte scie jusqu'à l'angle désiré à l'aide du rapporteur d'angle de biseau.
5. Verrouiller l'angle de biseau en appuyant sur le levier de réglage du biseau avant de procéder à la coupe.



Réglage des guides

1. Desserrer les boutons de verrouillage du guide.
2. Il est possible de glisser le guide de gauche d'un côté à l'autre jusqu'à la position désirée afin de permettre des coupes en biseau ou des coupes composées vers la gauche.
3. Il est possible de retirer le guide de droite en le soulevant, afin de permettre des coupes en biseau ou des coupes composées vers la droite.
4. Toujours placer le guide correctement afin de bien soutenir la pièce à travailler.
5. Serrer les boutons de verrouillage du guide avant de procéder à la coupe.

NOTE : Si une des parties du guide bouge le moins vers l'avant ou l'arrière, serrer la vis de pression, située derrière la fente d'insertion de chaque guide.

Lampes d'éclairage

Utiliser l'interrupteur ON/OFF pour allumer les lampes d'éclairage de la plaque tournante avant d'effectuer une coupe. Éteindre les lampes une fois l'opération terminée.

AVERTISSEMENT

Pour réduire les risques de blessures, ne pas se fier entièrement sur le frein en tant que dispositif de sécurité. Toujours attendre l'arrêt complet de la lame avant d'approcher tout objet de celle-ci.

AVERTISSEMENT

Pour réduire les risques de blessures, s'assurer que tous les réglages sont bien verrouillés avant de procéder à la coupe d'une pièce à travailler.

Démarrage et arrêt de l'outil

Toujours tenir fermement la poignée à gâchette. Le démarrage ou l'arrêt du moteur peut déplacer légèrement la poignée vers le haut ou le bas. Toujours bien fixer la plaque tournante en serrant le bouton de verrouillage d'angle d'onglet.

1. Pour démarrer le moteur, appuyer sur la gâchette.
2. Pour arrêter le moteur, relâcher la gâchette.

Pour faire une coupe

1. Branchez l'outil. Relevez la tête de la scie complètement.
2. Choisissez l'angle requis en suivant les directives des paragraphes « Réglage d'angle d'onglets » et « Réglage de l'angle de biseau ».
3. Placez le matériau sur la table tournante et alignez la coupe.
4. Soutenez le matériau selon les consignes de sécurité décrites sous le titre « Soutenez correctement le matériau ».
5. Mettez le moteur en marche, attendez que la lame atteigne son plein régime, puis abaissez délicatement la tête de la scie dans le matériau jusqu'à la coupe complète (3).
6. Laissez toujours la scie faire le travail. Forcer l'outil peut provoquer une panne ou surchauffer le moteur.
7. Lorsque la coupe est terminée, relâchez la détente et attendez l'arrêt complet de la lame. Ensuite relevez doucement la tête de scie et retirez le matériau. Débranchez toujours l'outil avant de retirer les tronçons autour de la lame à l'intérieur du garde-lame.

APPLICATIONS



AVERTISSEMENT

Ne pas utiliser la scie pour couper la pierre, la brique, le béton ou les métaux ferreux (le fer, l'acier, l'acier inoxydable ou un alliage de ces métaux).

Ne pas utiliser de meules abrasives avec cette scie.

La sciure produite lors de la coupe de ces matériaux ou de l'utilisation de meules à tronçonner abrasives peut entraîner le coincement du protecteur de la lame, en plus d'entraîner des blessures.

Matériaux recommandés et applications

Il est possible de couper les matériaux suivants à l'aide d'une scie à onglets combinée coulissante. Il existe plusieurs types de lames. Toujours utiliser la lame qui convient à l'application ou au matériau donné.

Bois – bois massif, contreplaqué, aggloméré de bois, MDF (panneau de fibres à densité moyenne), panneau de fibres à haute densité, panneau de particules lamellé de mélamine, stratifié Formica, panneau dur (Masonite).

Plastique – poly(chlorure de vinyle) (PVC), poly(chlorure de vinyle) chloré (PVC-C), polystyrène butadiène acrylonitrile (ABS), matériaux à surface dure (p. ex. Corian®), ainsi que d'autres matières plastiques.

Métaux non ferreux – aluminium, laiton, cuivre et autres matériaux non ferreux.

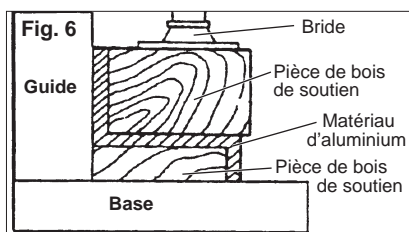
Coupe de matériaux non carrés

Coupe de matériaux arrondis (cylindriques)

Il est possible d'utiliser des pièces de bois en « V » pour soutenir les matériaux arrondis comme une tringle à cintres ou un tuyau en plastique.

Châssis en aluminium et autres types de profilés en U

Pour éviter de déformer un châssis en aluminium pendant la coupe, le soutenir avec des pièces de bois.



Deux méthodes pour couper une corniche

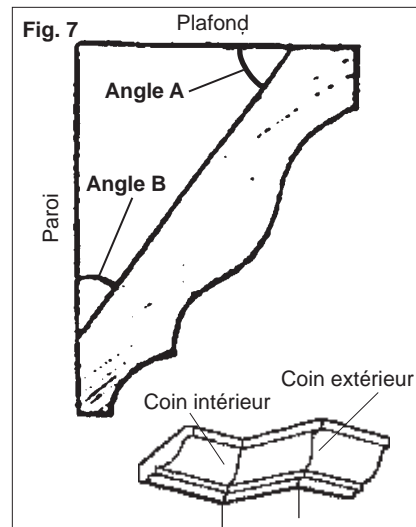
Lorsqu'on les additionne, les angles formés par les parties de la corniche qui s'appuient complètement sur le plafond et la paroi avec ces surfaces donnent 90° ($A + B = 90^\circ$). En général, les angles formés par la corniche sont les suivants :

52° et 38° : Un angle de 52° avec le plafond (A) et un angle de 38° avec la paroi (B). La scie à onglets comprend des crans pour des angles d'onglet à 31,6° vers la gauche et la droite ainsi qu'un cran pour un angle de biseau de 33,9° qui peuvent être utilisés pour couper une corniche de type 52° et 38°, à plat sur la table. Ces réglages sont signalés par des marques en forme de diamant.

45° et 45° : Un angle de 45° avec le plafond (A) et un angle de 45° avec la paroi (B). La scie à onglets comprend des crans pour des angles d'onglet de 35,3° vers la gauche et la droite ainsi qu'un cran pour un angle de biseau de 30° qui peuvent être utilisés pour couper une corniche de type 45° et 45°, à plat sur la table. Ces réglages sont signalés par un cercle noir.

NOTE : Bien que tous ces angles constituent des mesures standards, les pièces sont rarement construites de manière à ce que les coins fassent exactement 90° . Il peut être nécessaire de peaufiner ces réglages et d'ajuster les angles de coupe en conséquence.

Capacité de coupe pour une moulure de base	Capacité de coupe pour une corniche encastrée
152,4 mm (6 po) pour 0°	168,27 mm (6 5/8 po)
152,4 mm (6 po) pour 45° vers la gauche et la droite	



Coupe de la corniche à plat sur la table de la scie à onglets

Il est avantageux de procéder à la coupe de la corniche à plat sur la table, car il est plus facile ainsi de fixer la moulure à la position de coupe appropriée. De plus, il est possible de couper des parties plus larges de corniche si elle est à plat sur la table de la scie à onglets.

1. Ajuster les angles de biseau et d'onglet en consultant le tableau intitulé « Angles d'onglet de la corniche ». Serrer le bouton de verrouillage de l'angle d'onglet et le bouton de verrouillage de l'angle de biseau.

2. À l'aide de la section « Positionnement » ci-dessous, placer correctement la moulure.

NOTE: Toujours faire des coupes d'essai avec des chutes de bois pour s'assurer que les angles sont adéquats.

3. Procéder à la coupe conformément à la section intitulée « Coupe tronçonnante ».

Coupe de la corniche arc boutée sur le guide (encastrée – en position)

Toujours utiliser un guide pour corniche pour procéder à la coupe de la corniche arc boutée sur le guide. Ce type de coupe ne requiert pas de réglage d'angle de biseau. Il est possible de modifier légèrement l'angle d'onglet sans modifier l'angle de biseau. Avec cette méthode, il est possible de régler rapidement et facilement la scie pour les coins qui ne font pas 90° (carrés).

Positionnement

Corniche standard (É. U.) avec angles de 52° et de 38° (régler l'angle de biseau à 33,85°)

Coin intérieur, côté gauche

1. Bord supérieur de la moulure contre le guide
2. Angle d'onglet réglé à droite sur 31,62°
3. Conserver la section gauche de la pièce coupée

Coin intérieur, côté droit

1. Bord inférieur de la moulure contre le guide
2. Angle d'onglet réglé à gauche sur 31,62°
3. Conserver la section gauche de la pièce coupée

Coin extérieur, côté gauche

1. Bord inférieur de la moulure contre le guide
2. Angle d'onglet réglé à gauche sur 31,62°
3. Conserver la section droite de la pièce coupée

Coin extérieur, côté droit

1. Bord supérieur de la moulure contre le guide
2. Angle d'onglet réglé à droite sur 31,62°
3. Conserver la section droite de la pièce coupée

Corniche standard (É.-U.) avec angles de 45° (régler l'angle de biseau à 0°)

Coin intérieur, côté gauche

1. Bord supérieur de la moulure contre le guide
2. Angle d'onglet réglé à droite sur 45°
3. Conserver la section gauche de la pièce coupée

Coin intérieur, côté droit

1. Bord inférieur de la moulure contre le guide
2. Angle d'onglet réglé à gauche sur 45°
3. Conserver la section gauche de la pièce coupée

Coin extérieur, côté gauche

1. Bord inférieur de la moulure contre le guide
2. Angle d'onglet réglé à gauche sur 45°
3. Conserver la section droite de la pièce coupée

Côté droit, coin extérieur

1. Bord supérieur de la moulure contre le guide
2. Angle d'onglet réglé à droite sur 45°
3. Conserver la section droite de la pièce coupée

Plage d'onglets	Crans pour angles d'onglet à :	Plage de biseaux	Crans pour angles de biseau à :
0° à 52° vers la gauche	0°, 15°, 22,5°, 31,62°, 45° vers la gauche	0° à 48° vers la gauche	0°, 22,5°, 33,85°, 45°, 48° vers la gauche
0° à 52° vers la droite	0°, 15°, 22,5°, 31,62°, 45° vers la droite	0° to 48° vers la droite	0°, 22,5°, 33,85°, 45°, 48° vers la droite

Angles d'onglet pour une corniche

Angle de la paroi (B)	Corniche de 38° et 52° Angles d'onglet et de biseau	Corniche de 45° et 45° Angles d'onglet et de biseau
67	42.93/41.08	46.89/36.13
68	42.39/40.79	46.35/35.89
69	41.85/40.50	45.81/35.64
70	41.32/40.20	45.28/35.40
71	40.79/39.90	44.75/35.15
72	40.28/39.61	44.22/34.89
73	39.76/39.30	43.70/34.64
74	39.25/39.00	43.18/34.38
75	38.74/38.69	42.66/34.12
76	38.24/38.39	42.15/33.86
77	37.74/38.08	41.64/33.60
78	37.24/37.76	41.13/33.33
79	36.75/37.45	40.62/33.07
80	36.27/37.13	40.12/32.80
81	35.79/36.81	39.62/32.53
82	35.31/36.49	39.13/32.25
83	34.83/36.17	38.63/31.98
84	34.36/35.85	38.14/31.70
85	33.90/35.52	37.66/31.42
86	33.43/35.19	37.17/31.14
87	32.97/34.86	36.69/30.86
88	32.52/34.53	36.21/30.57
89	32.07/34.20	35.74/30.29
90	31.62/33.86	35.26/30.00
91	31.17/33.53	34.79/29.71
92	30.73/33.19	34.33/29.42
93	30.30/32.85	33.86/29.13
94	29.86/32.51	33.40/28.83
95	29.43/32.17	32.94/28.54
96	29.00/31.82	32.48/28.24
97	28.58/31.48	32.02/27.94
98	28.16/31.13	31.58/27.64
99	27.74/30.78	31.13/27.34
100	27.32/30.43	30.68/27.03
101	26.91/30.08	30.24/26.73
102	26.50/29.73	29.80/26.42
103	26.09/29.38	29.36/26.12
104	25.69/29.02	28.92/25.81
105	25.29/28.67	28.48/25.50
106	24.78/28.31	28.05/25.19

Angle de la paroi (B)	Corniche de 38° et 52° Angles d'onglet et de biseau	Corniche de 45° et 45° Angles d'onglet et de biseau
107	24.49/27.95	27.62/24.87
108	24.10/27.59	27.19/24.56
109	23.71/27.23	26.77/24.24
110	23.32/26.87	26.34/23.93
111	22.93/26.51	25.92/23.61
112	22.55/26.15	25.50/23.29
113	22.17/25.78	25.08/22.97
114	21.79/25.42	24.66/22.65
115	21.42/25.05	24.25/22.33
116	21.04/24.68	23.84/22.01
117	20.67/24.31	23.43/21.68
118	20.30/23.94	23.02/21.36
119	19.93/23.57	22.61/21.03
120	19.57/23.20	22.21/20.70
121	19.20/22.83	21.80/20.38
122	18.84/22.46	21.40/20.05
123	18.48/22.09	21.00/19.72
124	18.13/21.71	20.61/19.39
125	17.77/21.34	20.21/19.06
126	17.42/20.96	19.81/18.72
127	17.06/20.59	19.42/18.39
128	16.71/20.21	19.03/18.06
129	16.37/19.83	18.64/17.72
130	16.02/19.45	18.25/17.39
131	15.67/19.07	17.86/17.05
132	15.33/18.69	17.48/16.71
133	14.99/18.31	17.09/16.38
134	14.65/17.93	16.71/16.04
135	14.30/17.55	16.32/15.70
136	13.97/17.17	15.94/15.36
137	13.63/16.79	15.56/15.02
138	13.30/16.40	15.19/14.68
139	12.96/16.02	14.81/14.34
140	12.63/15.64	14.43/14.00
141	12.30/15.25	14.06/13.65
142	11.97/14.87	13.68/13.31
143	11.64/14.48	13.31/12.97
144	11.31/14.09	12.94/12.62
145	10.99/13.71	12.57/12.28
146	10.66/13.32	12.20/11.93

Coupe d'onglets Composés

Le tableau présenté ci dessous détermine les angles d'onglet et de biseau pour les différents types d'onglets composés. Toujours faire des coupes d'essai avec des chutes de bois avant de procéder à la coupe de la pièce à travailler.

Angle	Nombre de côtés							
	4	5	6	7	8	9	10	
0°	Onglet	45.00°	36.00°	30.00°	25.71°	22.50°	20.00°	18.00°
	Biseau	0.00°	0.00°	0.00°	0.00°	0.00°	0.00°	0.00°
5°	Onglet	44.89°	35.90°	29.91°	25.63°	22.42°	19.93°	17.94°
	Biseau	3.53°	2.94°	2.50°	2.17°	1.91°	1.71°	1.54°
10°	Onglet	44.56°	35.58°	29.62°	25.37°	22.19°	19.72°	17.74°
	Biseau	7.05°	5.86°	4.98°	4.32°	3.81°	3.40°	3.08°
15°	Onglet	44.01°	35.06°	29.15°	24.95°	21.81°	19.37°	17.42°
	Biseau	10.55°	8.75°	7.44°	6.45°	5.68°	5.08°	4.59°
20°	Onglet	43.22°	34.32°	28.48°	24.35°	21.27°	18.88°	16.98°
	Biseau	14.00°	11.60°	9.85°	8.53°	7.52°	6.72°	6.07°
25°	Onglet	42.19°	33.36°	27.62°	23.56°	20.58°	18.26°	16.41°
	Biseau	17.39°	14.38°	12.20°	10.57°	9.31°	8.31°	7.50°
30°	Onglet	40.89°	32.18°	26.57°	22.64°	19.73°	17.50°	15.72°
	Biseau	20.70°	17.09°	14.48°	12.53°	11.03°	9.85°	8.89°
35°	Onglet	39.32°	30.76°	25.31°	21.53°	18.74°	16.60°	14.90°
	Biseau	23.93°	19.70°	16.67°	14.41°	12.68°	11.31°	10.21°
40°	Onglet	37.45°	29.10°	23.86°	20.25°	17.60°	15.58°	13.98°
	Biseau	27.03°	22.20°	18.75°	16.19°	14.24°	12.70°	11.46°
45°	Onglet	35.26°	27.19°	22.21°	18.80°	16.32°	14.43°	12.94°
	Biseau	30.00°	24.56°	20.70°	17.87°	15.70°	14.00°	12.62°
50°	Onglet	32.73°	25.03°	20.36°	17.20°	14.91°	13.17°	11.80°
	Biseau	32.80°	26.76°	22.52°	19.41°	17.05°	15.19°	13.69°
55°	Onglet	29.84°	22.62°	18.32°	15.44°	13.36°	11.79°	10.56°
	Biseau	35.40°	28.78°	24.18°	20.82°	18.27°	16.27°	14.66°
60°	Onglet	26.57°	19.96°	16.10°	13.54°	11.70°	10.31°	9.23°
	Biseau	37.76°	30.60°	25.66°	22.07°	19.35°	17.23°	15.52°
65°	Onglet	22.91°	17.07°	13.71°	11.50°	9.93°	8.74°	7.82°
	Biseau	39.86°	32.19°	26.95°	23.16°	20.29°	18.06°	16.26°
70°	Onglet	18.88°	13.95°	11.17°	9.35°	8.06°	7.10°	6.34°
	Biseau	41.64°	33.53°	28.02°	24.06°	21.08°	18.75°	16.88°
75°	Onglet	14.51°	10.65°	8.50°	7.10°	6.12°	5.38°	4.81°
	Biseau	43.08°	34.59°	28.88°	24.78°	21.69°	19.29°	17.37°
80°	Onglet	9.85°	7.19°	5.73°	4.78°	4.11°	3.62°	3.23°
	Biseau	44.14°	35.37°	29.50°	25.30°	22.14°	19.68°	17.72°
85°	Onglet	4.98°	3.62°	2.88°	2.40°	2.07°	1.82°	1.62°
	Biseau	44.78°	35.84°	29.87°	25.61°	22.41°	19.92°	17.93°
90°	Onglet	0.00°	0.00°	0.00°	0.00°	0.00°	0.00°	0.00°
	Biseau	45.00°	36.00°	30.00°	25.71°	22.50°	20.00°	18.00°

MAINTENANCE



AVERTISSEMENT

Pour minimiser les risques de blessures, débranchez toujours l'outil avant d'y effectuer des travaux de maintenance. Ne faites pas vous-même le démontage de l'outil ni le rebobinage du système électrique. Consultez un centre de service MILWAUKEE accrédité pour toutes les réparations.

Entretien de l'outil

Gardez l'outil en bon état en adoptant un programme d'entretien ponctuel. Avant de vous en servir, examinez son état en général. Inspectez-en la garde, interrupteur, cordon et cordon de rallonge pour en déceler les défauts. Vérifiez le serrage des vis, l'alignement et le jeu des pièces mobiles, les vices de montage, bris de pièces et toute autre condition pouvant en rendre le fonctionnement dangereux. Si un bruit ou une vibration insolite survient, arrêtez immédiatement l'outil et faites-le vérifier avant de vous en servir de nouveau. N'utilisez pas un outil défectueux. Fixez-y une étiquette marquée « HORS D'USAGE » jusqu'à ce qu'il soit réparé (voir « Réparations »).

Normalement, il ne sera pas nécessaire de lubrifier l'outil avant que le temps ne soit venu de remplacer les balais. Après une période pouvant aller de 6 mois à un an, selon l'usage, retournez votre outil à un centre de service MILWAUKEE accrédité pour obtenir les services suivants:

- Lubrification
- Inspection et remplacement des balais
- Inspection et nettoyage de la mécanique (engrenages, pivots, coussinets, boîtier etc.)
- Inspection électrique (interrupteur, cordon, induit etc.)
- Vérification du fonctionnement électromécanique



AVERTISSEMENT

Pour minimiser les risques de blessures, choc électrique et dommage à l'outil, n'immergez jamais l'outil et ne laissez pas de liquide s'y infiltrer.

Nettoyage

Débarassez les événements des débris et de la poussière. Gardez les poignées de l'outil propres, à sec et exemptes d'huile ou de graisse. Le nettoyage de l'outil doit se faire avec un linge humide et un savon doux. Certains nettoyants tels l'essence, la térébenthine, les diluants à laque ou à peinture, les solvants chlorés, l'ammoniaque et les détergents d'usage domestique qui en contiennent pourraient détériorer le plastique et l'isolation des pièces. Ne laissez jamais de solvants inflammables ou combustibles auprès des outils.

Réparations

Si votre outil est endommagé, retournez l'outil entier au centre de maintenance le plus proche.

ACCESSOIRES



AVERTISSEMENT

Retirez toujours la batterie avant de changer ou d'enlever les accessoires. L'utilisation d'autres accessoires que ceux qui sont spécifiquement recommandés pour cet outil peut comporter des risques.

Pour une liste complète des accessoires, prière de se reporter au catalogue MILWAUKEE Electric Tool ou visiter le site internet www.milwaukeetool.com. Pour obtenir un catalogue, il suffit de contacter votre distributeur local ou l'un des centres-service énumérés sur la page de couverture de ce manuel.

GARANTIE LIMITÉE DE L'OUTIL DE CINQ ANS

Chaque outil électrique MILWAUKEE (y compris le chargeur de batterie) est garanti à l'acheteur d'origine être exempt de vice du matériau et de fabrication. Sous réserve de certaines exceptions, MILWAUKEE réparera ou remplacera toute pièce d'un outil électrique qui, après examen, sera avéré par MILWAUKEE être affecté d'un vice du matériau ou de fabrication pendant une période de cinq (5) ans* après la date d'achat. Le retour de l'outil électrique, accompagné d'une copie de la preuve d'achat à un site d'entretien d'usine/de promotion des ventes de MILWAUKEE ou à un poste d'entretien agréé MILWAUKEE, en port prépayé et assuré, est requis pour que cette garantie s'applique. Cette garantie ne couvre pas les dommages que MILWAUKEE détermine être causés par des réparations ou des tentatives de réparation par quiconque autre que le personnel agréé par MILWAUKEE, des utilisations incorrectes, des altérations, des utilisations abusives, une usure normale, une carence d'entretien ou les accidents.

* La période de garantie pour les palans (palans à levier, à chaîne manuelle et à chaîne électrique), tous les blocs de batteries au NiCd, les projecteurs de travail (lampes torches sans fil), les radios de chantier et les chariots de travail industriels Trade Titan™ est d'un (1) an à partir de la date d'achat. *La période de garantie pour les blocs de batteries au lithium-ion qui ne sont pas équipés de la technologie V™ (entre 4 et 18 volts) est de deux (2) ans à partir de la date d'achat.

*Il existe une garantie séparée pour les blocs de batteries au lithium-ion avec technologie V™ de 18 volts et plus qui accompagnent les outils électriques sans fil de technologie V™ :

*Chaque batterie au lithium-ion 18 volts ou plus de technologie MILWAUKEE V™ est couverte par une garantie de remplacement gratuit initial pour 1 000 charges/2 ans. Ceci signifie qu'avant les 1 000 premières charges ou deux (2) années suivant la date d'achat/la première charge, une batterie de rechange sera fournie gratuitement au client pour toute batterie défectueuse. Par la suite, les clients recevront aussi une garantie supplémentaire calculée au prorata dans la limite de 2 000 charges ou cinq (5) années suivant la date d'achat/la première charge, à la première échéance. Ceci signifie que chaque client obtient une garantie au prorata supplémentaire de 1 000 charges ou de trois (3) années sur les batteries au lithium-ion 18 volts ou plus de technologie V™ en fonction de l'utilisation. Pendant cette période de garantie supplémentaire, le client ne paye que pour le service utilisable reçu au-delà des 1 000 premières charges/2 premières années, en fonction de la date de la première charge et du nombre de charges des batteries déterminés par le lecteur de service MILWAUKEE de technologie V™.

L'enregistrement de la garantie n'est pas nécessaire pour bénéficier de la garantie en vigueur sur un produit MILWAUKEE. Une preuve d'achat sous la forme d'un reçu de vente ou d'autres informations considérées suffisantes par MILWAUKEE est cependant requise. La date de fabrication du produit servira à établir la période de garantie si aucune preuve d'achat n'est fournie lorsqu'une demande de service sous garantie est faite.

L'ACCEPTATION DES RECOURS EXCLUSIFS DE RÉPARATION ET DE REMPLACEMENT DÉCRITS PAR LES PRÉSENTES EST UNE CONDITION DU CONTRAT D'ACHAT DE TOUT PRODUIT MILWAUKEE. SI VOUS N'ACCEPTÉZ PAS CETTE CONDITION, VOUS NE DEVEZ PAS ACHETER LE PRODUIT. EN AUCUN CAS MILWAUKEE NE SAURAIT ÊTRE RESPONSABLE DE TOUT DOMMAGE ACCESSOIRE, SPÉCIAL OU INDIRECT, DE DOMMAGES-INTÉRÊTS PUNITIFS OU DE TOUTE DÉPENSE, D'HONORAIRES D'AVOCATS, DE FRAIS, DE PERTE OU DE DÉLAIS ACCESSOIRES À TOUT DOMMAGE, DÉFAILLANCE OU DÉFAUT DE TOUT PRODUIT, Y COMPRIS NOTAMMENT LES PERTES DE PROFIT. CETTE GARANTIE EST EXCLUSIVE ET REMPLACE TOUTE AUTRE GARANTIE OU CONDITION, ÉCRITE OU VERBALE, EXPRESSE OU IMPLICITE, SANS LIMITER LA GÉNÉRALITÉ DES DISPOSITIONS PRÉCÉDENTES, MILWAUKEE DÉCLINE TOUTE GARANTIE IMPLICITE DE QUALITÉ MARCHANDE OU D'ADAPTATION À UNE UTILISATION OU À UNE FIN PARTICULIÈRE ET TOUTE AUTRE GARANTIE.

Cette garantie s'applique aux produits vendus aux États-Unis, au Canada et au Mexique uniquement.

REGLAS DE SEGURIDAD GENERALES PARA HERRAMIENTAS ELÉCTRICAS



ADVERTENCIA

LEA Y COMPRENDA TODAS LAS INSTRUCCIONES

Si no se siguen todas las instrucciones a continuación, se puede provocar una descarga eléctrica, un incendio y/o lesiones personales graves.

GUARDE ESTAS INSTRUCCIONES


SEGURIDAD EN EL ÁREA DE TRABAJO

1. **Mantenga limpia y bien iluminada el área de trabajo.** Las áreas desordenadas y oscuras contribuyen a que se produzcan accidentes.
2. **Evite los ambientes peligrosos.** No utilice su herramienta eléctrica en la lluvia, en lugares húmedos o mojados ni en atmósferas explosivas (emanaciones de gas, polvo o materiales inflamables). Retire aquellos materiales o desechos que podrían prenderse fuego por chispas.
3. **Mantenga alejados a los espectadores.** Los niños y espectadores deben permanecer a una distancia segura del área de trabajo para no distraer al operador ni entrar en contacto con la herramienta o el alargador.
4. **Proteja a las demás personas que se encuentren en el área de trabajo** de los desechos como virutas y chispas. Coloque tantas barreras o protecciones como sea necesario.
5. **Convierta el taller en un lugar seguro para los niños** por medio de candados, interruptores maestros o sacando las llaves de arrancadores.

SEGURIDAD ELÉCTRICA

6. **Las herramientas con conexión a tierra deben enchufarse en una toma de corriente instalada y conectada a tierra apropiadamente según todos los códigos y las ordenanzas.** Nunca elimine la punta de conexión a tierra ni modifique el enchufe de ninguna manera. No utilice ningún enchufe adaptador. Si está dudando de que una toma de corriente esté adecuadamente conectada a tierra, contrólaela con un electricista calificado. En caso de que la

herramienta tuviera una falla eléctrica o se rompiera, la conexión a tierra brinda una trayectoria de baja resistencia para dirigir la electricidad lejos del usuario.

7. **Las herramientas con doble aislamiento están equipadas con un enchufe polarizado (una clavija es más ancha que la otra). Este enchufe entrará de una sola manera en una toma de corriente polarizada. Si el enchufe no entra totalmente en la toma de corriente, gírelo. Si aún no entra, comuníquese con un electricista calificado para instalar una toma de corriente polarizada. Nunca realice ningún tipo de cambio en el enchufe.** El doble aislamiento  elimina la necesidad de un cable de alimentación trifilar con conexión a tierra y un sistema de alimentación con conexión tierra.
8. **Protéjase contra la descarga eléctrica.** Evite el contacto corporal con superficies con conexión a tierra como tuberías, radiadores, estufas y refrigeradores. Cuando esté haciendo cortes a ciegas o por penetración, siempre revise si hay cables o cañerías en el área de trabajo. Sostenga su herramienta por las piezas de agarre aisladas y no metálicas. Use un interruptor de circuito de fallo de tierra (GFI, por sus siglas en inglés) para reducir el peligro de descarga eléctrica.
9. **No exponga a la lluvia ni utilice en lugares húmedos.**
10. **No maltrate el cable. Nunca utilice el cable para transportar las herramientas ni tire de éste para sacar el enchufe de la toma de corriente. Mantenga el cable alejado del calor, los bordes afilados o las piezas en movimiento. Reemplace los cables dañados inmediatamente.** Los cables dañados aumentan el riesgo de descarga eléctrica.

SEGURIDAD PERSONAL

11. **Conozca su herramienta eléctrica.** Lea detenidamente este manual para aprender los usos y limitaciones de su herramienta eléctrica, además de los posibles peligros asociados con este tipo de herramienta.
12. **Manténgase alerta, preste atención a lo que está haciendo y use el sentido común cuando utilice una herramienta eléctrica. No utilice la herramienta cuando esté cansado o bajo los efectos de las drogas, el alcohol o medicamentos.** Un instante de distracción cuando se utiliza una herramienta eléctrica puede tener como resultado lesiones graves.
13. **Vístase de manera apropiada.** No use ropa suelta ni joyas. Utilice un cobertor de protección para el cabello para agarrar el cabello largo. El cabello podría quedar atrapado en piezas móviles. Cuando esté trabajando afuera, utilice guantes de goma y calzado aislante y antideslizante. Mantenga las manos y los guantes lejos de las piezas móviles.
14. **Reduzca el riesgo de encendido accidental.** Asegúrese de que su herramienta esté apagada antes de enchufarla. No utilice una herramienta si el interruptor de alimentación no enciende ni apaga la herramienta. No transporte una herramienta enchufada con el dedo sobre el interruptor.
15. **Retire todas las cuñas y llaves.** Acostúmbrese a controlar que las cuñas, llaves, etc. no estén en la herramienta antes de encenderla.
16. **No estire el cuerpo para alcanzar mayor distancia. Mantenga el control.** Mantenga los pies bien asentados y el equilibrio en todo momento. Agarre con firmeza. Sea muy cuidadoso cuando utilice la herramienta en escaleras, techos, andamios, etc.
17. **Utilice equipo de seguridad. Todos en el área de trabajo deben utilizar gafas de seguridad o lentes con protectores laterales en conformidad con los estándares actuales de seguridad.** Los lentes comunes sólo tienen lentes resistentes a los impactos. No son lentes de seguridad. Utilice protección auditiva durante el uso prolongado y una máscara antipolvo en trabajos que generen mucho polvo. Los cascos, las

protecciones faciales, los zapatos de seguridad, etc. se deben utilizar cuando se indique o cuando sea necesario. Tenga a mano un extinguidor de incendios.

18. **Mantenga las protecciones en su lugar** y en condiciones de funcionamiento.
19. **Nunca debe pararse sobre la herramienta.** Se pueden ocasionar lesiones graves si se inclina la herramienta o si se toca la herramienta de corte por accidente.
20. **Mantenga las manos alejadas de todos los fillos y piezas en movimiento.**

USO Y CUIDADO DE LAS HERRAMIENTAS ELÉCTRICAS

21. **Trabajo seguro.** Utilice un broche, una prensa de tornillo o cualquier otro medio práctico para sujetar su trabajo de manera segura, liberando así ambas manos para controlar la herramienta.
22. **No fuerce la herramienta.** Su herramienta funcionará mejor en la exigencia para la que fue diseñada. La fuerza excesiva sólo ocasiona la fatiga del operador, más desgaste y menos control.
23. **Utilice la herramienta apropiada.** No utilice una herramienta o un accesorio para realizar un trabajo para el que no se recomienda. Por ejemplo, no utilice una sierra circular para cortar ramas o troncos de árbol. No modifique la herramienta.
24. **Desenchufe la herramienta** cuando no esté en uso antes de cambiar accesorios o llevar a cabo el mantenimiento recomendado.
25. **Guarde las herramientas desocupadas.** Cuando no esté en uso, guarde la herramienta en un lugar seco y seguro. Manténgala fuera del alcance de los niños.
26. **Nunca deje la herramienta funcionando sin supervisión.** Apáguela. No suelte la herramienta hasta que se detenga completamente.
27. **Controle que no haya piezas dañadas.** Inspeccione las guardas y demás piezas antes de utilizar. Controle que no haya defectos de alineación, atoramiento de las piezas móviles, montaje incorrecto, piezas rotas y cualquier otra condición que afecte el funcionamiento. Si de-

fecta un ruido inusual o una vibración, apague la herramienta inmediatamente y solucione el problema antes de seguir utilizándola. No utilice una herramienta dañada. Coloque una etiqueta que diga "NO USAR" en las herramientas dañadas hasta que las reparen. Una guarda o cualquier otra pieza dañada deben ser reemplazada o reparada apropiadamente por un establecimiento de servicio de MILWAUKEE. Para todas las reparaciones, sólo acepte piezas de repuesto idénticas.

28. **Utilice accesorios apropiados.** Consulte este manual para ver los accesorios recomendados. Puede ser peligroso utilizar los accesorios inadecuados. Asegúrese de que los accesorios estén correctamente instalados y mantenidos. No anule una guarda ni cualquier otro dispositivo de seguridad cuando instale un accesorio o acoplamiento.
29. **Mantenga las herramientas con cuidado.** Mantenga los asideros secos y limpios de grasa y aceite. Mantenga los filos limpios y afilados. Siga las instrucciones para la lubricación y el cambio de accesorios. Inspeccione periódicamente los cables de la herramienta y los alargadores para controlar que no estén dañados. Lleve a un establecimiento de servicio MILWAUKEE las piezas dañadas para que las reparen o reemplacen.

MANTENIMIENTO

30. **Mantenga las etiquetas y las placas identificativas.** Tienen información importante. Si no se pueden leer o si faltan, póngase en contacto con un centro de servicio MILWAUKEE para obtener un repuesto gratuito.
31. **La reparación de la herramienta la debe realizar solamente el personal calificado.** Aquel servicio o mantenimiento llevado a cabo por personal no calificado puede resultar en riesgo de lesión.
32. **Cuando esté haciendo el mantenimiento de una herramienta, utilice sólo piezas de repuesto idénticas. Siga las instrucciones de la sección de mantenimiento de este manual.** La utilización de piezas no autorizadas o no seguir las instrucciones de mantenimiento puede ocasionar un riesgo de descarga eléctrica o lesión.






REGLAS ESPECIFICAS DE SEGURIDAD

- Siempre debe mantener las manos alejadas de la trayectoria de la hoja de la sierra.
- Nunca pase sus brazos alrededor, por debajo o en posición perpendicular a la hoja.
- No coloque las manos bajo el motor de la sierra ni en la trayectoria de la hoja. No saque un pedazo de material que se cortó mientras la hoja esté girando. Nunca coloque sus manos ni dedos detrás o frente a la hoja de la sierra.
- Controle las guardas para un funcionamiento suave antes de cada uso.
- No anule las guardas ni utilice la herramienta sin las guardas colocadas.
- Evite la reacción de retroceso. La reacción de retroceso es una reacción violenta debido a una hoja atrapada o agarrotada que impulsa la punta de la sierra hacia arriba y hacia el operador. La elección y el soporte adecuados de la pieza de trabajo, una elección y un mantenimiento adecuados de la hoja e incluso la velocidad de alimentación son esenciales para reducir el riesgo de reacción de retroceso.
- Siempre debe asegurar su trabajo de manera adecuada. Utilice la guía, los bloques de apoyo, un soporte auxiliar de trabajo o abrazaderas para asegurar la pieza de trabajo. Siempre sostenga el extremo libre de la pieza de trabajo y asegure todas las piezas de trabajo pequeñas. Aquellas piezas de trabajo que curvan o atrapan la hoja podrían ocasionar una reacción de retroceso. No lleve a cabo ninguna actividad a pulso (sin apoyo).
- El material delgado tiende a deformarse o pandearse y debe estar bien apoyado en toda su longitud para evitar atorar la hoja.
- Coloque la guía adecuadamente. La guía se puede adaptar para cortes compuestos y cortes en inglete. Siempre debe asegurarse de que la guía esté adaptada para el corte que se desea. Nunca haga funcionar la sierra sin la guía en su lugar.
- Asegúrese de que el mango del broche y la palanca de ajuste del bisel estén ajustados firmemente antes de hacer cortes.

- Utilice la hoja apropiada. Utilice sólo tipos y tamaños de hoja recomendados con los orificios de montaje apropiados, con una velocidad mínima de 5 500 RPM. Siga la flecha de rotación de la hoja para asegurarse de haberla instalado correctamente. Mantenga las hojas de sierra afiladas para evitar rajaduras y enganches. Nunca use arandelas o pernos defectuosos o incorrectos.
- No use discos abrasivos con la sierra ingleteadora.
- Mantenga las hojas limpias y afiladas. Una cuchilla sin afilar o mal afilada produce una entalladura estrecha y es probable que se atore en la pieza de trabajo. Una hoja desafilada produce fricción excesiva que puede ocasionar que la hoja se deforme o se atasque. Asegúrese de que el tornillo de la hoja esté ajustado para evitar deslizamiento o que se afloje durante el uso.
- Espere a que la hoja alcance la máxima velocidad antes de bajar la punta de la sierra para hacer un corte.
- Empuje la sierra a través de la pieza de trabajo. No tire de la sierra a través de la pieza de trabajo. Para hacer un corte levante la punta de la sierra y tire de ella hacia afuera SOBRE la pieza de trabajo SIN cortar, encienda el motor, espere unos segundos hasta que la hoja alcance la máxima velocidad, presione hacia abajo la punta de la sierra y presione la cabeza de la sierra a través del corte.
- Si la hoja se detiene, no encienda y apague el interruptor. Una cuchilla desafilada o demasiada presión puede detenerla. Suelte el interruptor inmediatamente si la hoja se atasca o se detiene y saque la sierra del corte.
- Cómo volver a encender en medio del corte. Si detiene la sierra en medio del corte, permita que la hoja se detenga, luego levante la sierra fuera del corte. Luego vuelva a encender la sierra.

- No trabe el gatillo en la posición de encendido.
- Mantenga el cable alejado del área de corte y colóquelo de tal manera que no se pueda tropezar con éste ni quede atrapado en la pieza de trabajo mientras está cortando.
- Evite cortar clavos. Busque y saque todos los clavos antes de cortar.
- Siempre debe esperar a que la hoja se detenga completamente antes de cambiar posiciones, sacar una pieza cortada o preparar el próximo corte. Desenchufe la herramienta antes de ajustar un tornillo de la hoja, hacerle un servicio, ajustes, transportar o mover la sierra a otra ubicación.
- Trabe la sierra con la punta hacia abajo antes de transportar la herramienta.
- ADVERTENCIA: Ciertos polvos creados al lijar, serrar, esmerilar, perforar y realizar otras actividades de construcción contienen productos químicos que se sabe que causan cáncer, defectos de nacimiento u otros daños al aparato reproductor. Algunos ejemplos de dichos productos químicos son:
 - plomo de pintura con base de plomo,
 - silice cristalino de los ladrillos y cemento y de otros productos de mampostería, y
 - arsénico y cromo de madera tratada químicamente.
 Su riesgo de exposición varía dependiendo de la frecuencia con la que realice este tipo de trabajo. Para reducir su exposición a estos productos químicos: trabaje en un área bien ventilada y trabaje con equipo de seguridad aprobado, como esas máscaras anitpolvo específicamente diseñadas para filtrar partículas microscópicas.

Simbología

	Con doble aislamiento		Volts de corriente alterna
	Underwriters Laboratories, Inc.	$n_0 \text{ xxx } \text{min.}^{-1}$	Revoluciones por minuto sin carga (RPM)
	Siempre mantenga las manos fuera de la línea de corte del disco		Amperios

TIERRA



ADVERTENCIA

Puede haber riesgo de descarga eléctrica si se conecta el cable de conexión de puesta a tierra incorrectamente. Consulte con un electricista certificado si tiene dudas respecto a la conexión de puesta a tierra del tomacorriente. No modifique el enchufe que se proporciona con la herramienta. Nunca retire la clavija de conexión de puesta a tierra del enchufe. No use la herramienta si el cable o el enchufe está dañado. Si está dañado antes de usarlo, llévelo a un centro de servicio **MILWAUKEE** para que lo reparen. Si el enchufe no se acopla al tomacorriente, haga que un electricista certificado instale un toma-corriente adecuado.

Herramientas con conexión a tierra: Herramientas con enchufes de tres clavijas

Las herramientas marcadas con la frase "Se requiere conexión de puesta a tierra" tienen un cable de tres hilos y enchufes de conexión de puesta a tierra de tres clavijas. El enchufe debe conectarse a un tomacorriente debidamente conectado a tierra (véase la Figura A). Si la herramienta se avería o no funcionara correctamente, la conexión de puesta a tierra proporciona un trayecto de baja resistencia para desviar la corriente eléctrica de la trayectoria del usuario, reduciendo de este modo el riesgo de descarga eléctrica.

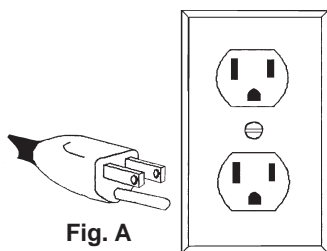


Fig. A

La clavija de conexión de puesta a tierra en el enchufe está conectada al sistema de conexión de puesta a tierra de la herramienta a través del hilo verde dentro del cable. El hilo verde debe ser el único hilo conectado al sistema de conexión de puesta a tierra de la herramienta y nunca se debe unir a una terminal energizada.

Su herramienta debe estar enchufada en un tomacorriente apropiado, correctamente instalado y conectado a tierra según todos los códigos y reglamentos. El enchufe y el tomacorriente deben asemejarse a los de la Figura A.

Herramientas con doble aislamiento: Herramientas con clavijas de dos patas

Las herramientas marcadas con "Doble aislamiento" no requieren conectarse "a tierra". Estas herramientas tienen un sistema aislante que satisface los estándares de OSHA y llena los estándares aplicables de UL (Underwriters Laboratories), de la Asociación Canadiense de Estándares (CSA) y el Código Nacional de Electricidad. Las herramientas con doble aislamiento pueden ser usadas en cualquiera de los toma corriente de 120 Volt mostrados en las Figuras B y C.

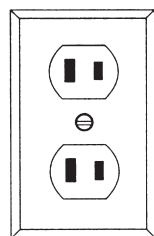


Fig. B

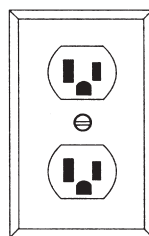


Fig. C

EXTENSIONES ELECTRICAS

Las herramientas que deben conectarse a tierra cuentan con clavijas de tres patas y requieren que las extensiones que se utilicen con ellas sean también de tres cables. Las herramientas con doble aislamiento y clavijas de dos patas pueden utilizarse indistintamente con extensiones de dos a tres cables. El calibre de la extensión depende de la distancia que exista entre la toma de la corriente y el sitio donde se utilice la herramienta. El uso de extensiones inadecuadas puede causar serias caídas en el voltaje, resultando en pérdida de potencia y posible daño a la herramienta. La tabla que aquí se ilustra sirve de guía para la adecuada selección de la extensión.

Mientras menor sea el número del calibre del cable, mayor será la capacidad del mismo. Por ejemplo, un cable calibre 14 puede transportar una corriente mayor que un cable calibre 16. Cuando use más de una extensión para lograr el largo deseado, asegúrese que cada una tenga al menos, el mínimo tamaño de cable requerido. Si está usando un cable de extensión para más de una herramienta, sume los amperes de las varias placas y use la suma para determinar el tamaño mínimo del cable de extensión.

Guías para el uso de cables de extensión

- Si está usando un cable de extensión en sitios al aire libre, asegúrese que está marcado con el sufijo "W-A" ("W" en Canadá) el cual indica que puede ser usado al aire libre.
- Asegúrese que su cable de extensión está correctamente cableado y en buenas condiciones eléctricas. Cambie siempre una extensión dañada o hágala reparar por una persona calificada antes de volver a usarla.
- Proteja su extensión eléctrica de objetos cortantes, calor excesivo o áreas mojadas.

Calibre mínimo recomendado para cables de extensiones eléctricas*

Amperios (En la placa)	Largo de cable de Extensión en (m)					
	7,6	15,2	22,8	30,4	45,7	60,9
0 - 5,0	16	16	16	14	12	12
5,1 - 8,0	16	16	14	12	10	--
8,1 - 12,0	14	14	12	10	--	--
12,1 - 15,0	12	12	10	10	--	--
15,1 - 20,0	10	10	10	--	--	--

* Basado en limitar la caída en el voltaje a 5 volts al 150% de los amperios.

LEA Y GUARDE TODAS LAS INSTRUCCIONES PARA FUTURAS REFERENCIAS.

Especificaciones

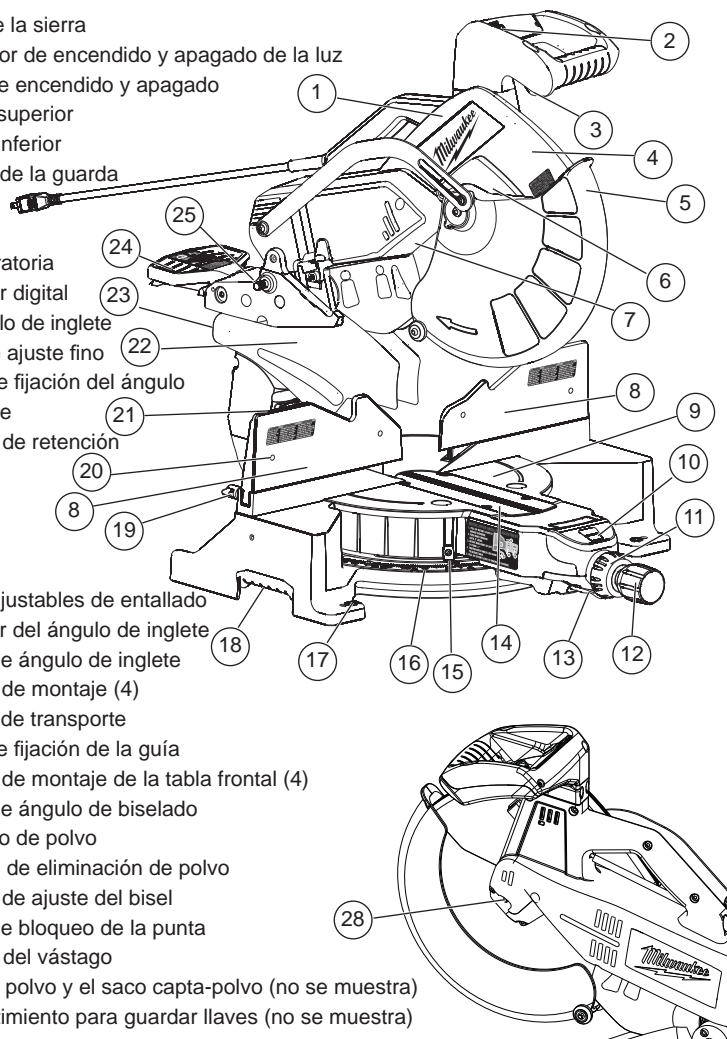
Cat. No.	Volts ca	Amps	RPM	Tamaño del eje	Tamaño de la hoja	Peso
6950-20	120	15	3 200	5/8"	305 mm (12")	55 lbs

Capacities

Cortes en inglete				Cortes compuestos	
Allura máxima a 90°	Allura máxima a 45°	Ancho máximo a 90°	Ancho máximo a 45°	Inglete a 45° y bisel a 45°	
				Bisel izquierdo	Bisel derecho
152,4 mm (6") Al. a 69,9 mm (2,75") An.	152,4 mm (6") Al. a 21,6 mm (0,85") An.	199,4 mm (7,85") Al. a 85,6 mm (3,37") An.	139,7 mm (5,5") Al. a 85,6 mm (3,37") An.	139,7 mm (5,5") Al. a 42,2 mm (1,66") An.	139,7 mm (5,5") Al. a 33 mm (1,3") An.

DESCRIPCION FUNCIONAL

1. Punta de la sierra
2. Interruptor de encendido y apagado de la luz
3. Gatillo de encendido y apagado
4. Guarda superior
5. Guarda inferior
6. Soporte de la guarda
7. Luces
8. Guía
9. Mesa giratoria
10. Indicador digital del ángulo de inglete
11. Anillo de ajuste fino
12. Perilla de fijación del ángulo de inglete
13. Palanca de retención
14. Placas ajustables de entallado
15. Indicador del ángulo de inglete
16. Escala de ángulo de inglete
17. Orificios de montaje (4)
18. Mangos de transporte
19. Perilla de fijación de la guía
20. Orificios de montaje de la tabla frontal (4)
21. Escala de ángulo de biselado
22. Conducto de polvo
23. Abertura de eliminación de polvo
24. Palanca de ajuste del bisel
25. Clavija de bloqueo de la punta
26. Bloqueo del vástago
27. Codo de polvo y el saco capta-polvo (no se muestra)
28. Compartimiento para guardar llaves (no se muestra)



CARACTERÍSTICAS

Sistema de inglete

La sierra ingleteadora *MILWAUKEE* 6950-20 utiliza una resistente placa de metal con topes. Esta placa de metal es extremadamente durable y permite tener siempre la misma exactitud en cada tope. El ángulo de inglete puede fijarse utilizando topes para los ángulos comunes de corte en 0°; 15°; 22,5°; 31,62°; 45° hacia la derecha e izquierda. La 6950-20 tiene una amplitud de inglete desde 52 hacia la izquierda, es necesario compensar una situación sin ángulos rectos al hacer un ajuste de ángulo de inglete en la mesa giratoria. El sistema de ajuste fino de ángulo de inglete de *MILWAUKEE* hace este proceso rápido y fácil, especialmente cuando la sierra está posicionada cerca del tope de inglete.

Ajuste fino del ángulo de inglete

En algunas aplicaciones de carpintería de terminación como en el caso de un encuadre de una ventana o puerta, es necesario compensar una situación sin ángulos rectos al hacer un ajuste de ángulo de inglete en la mesa giratoria. El sistema de ajuste fino de ángulo de inglete de *MILWAUKEE* hace este proceso rápido y fácil, especialmente cuando la sierra está posicionada cerca del tope de inglete.

Indicador digital del ángulo de inglete

La *MILWAUKEE* 6950-20 tiene un indicador digital de ángulo de inglete en la parte frontal de la mesa giratoria que muestra el ángulo de inglete de la mesa giratoria con una exactitud de 0,1°. El indicador digital de ángulo de inglete se basa en la exactitud mecánica de la placa de tope de ángulo de inglete. Se calibra sólo cada vez que la mesa giratoria se coloca en un tope de inglete y no es necesario calibrarlo.

Al utilizar el ajuste fino de ángulo de inglete junto con el indicador digital de ángulo de inglete, es fácil hacer pequeños y exactos ajustes de ángulo en cualquier lugar de la amplitud del inglete. Al utilizar estos sistemas juntos, se facilita el cambio de posición de la mesa giratoria así como también repetir cualquier configuración de ángulo de inglete.

Cuando la mesa giratoria se coloca en un ángulo de inglete hacia la IZQUIERDA, el indicador digital tendrá un símbolo (-) delante del ángulo (por ejemplo: -22,5° o -44,7°). Cuando la mesa giratoria esté colocada en un ángulo de inglete hacia la DERECHA, se podrá ver lo siguiente en el indicador digital: 22,5° o 44,7°.

Sistema de ajuste de bisel doble

El Sistema de ajuste de bisel doble permite ajustes de bisel rápidos y exactos, ya sea

hacia la derecha o a la izquierda. El ángulo de inglete puede fijarse utilizando topes para los ángulos comunes de corte en 0°; 15°; 22,5°; 33,85°; 45° hacia la derecha e izquierda. El mecanismo de sobrecarrera tiene muchos grados de sobrecarrera pasando los 45° tanto a la derecha como a la izquierda.

Circuito electrónico de control de retroalimentación

El circuito electrónico de control de retroalimentación (EFCC) ayuda a mejorar el funcionamiento y la duración de la herramienta. También permite que la herramienta mantenga una velocidad y un torque constantes, ya sea con carga o sin ella. El arranque suave reduce el par de torsión de reacción que reciben la herramienta y el usuario. Aumenta gradualmente la velocidad del motor desde cero hasta la velocidad máxima sin carga.

Freno eléctrico

El freno eléctrico se activa cuando se suelta el gatillo, haciendo que la segueta se pare y permitiéndole continuar con la tarea. Generalmente, la hoja de la sierra se detiene en cuatro o cinco segundos. Sin embargo, puede que haya un retraso entre el momento que se suelta el gatillo y cuando se activa el freno. Ocasionalmente el freno puede que se salte completamente. Si el freno se salta con frecuencia, la sierra necesita reparación en un centro de mantenimiento autorizado *MILWAUKEE*. El freno no es un sustituto de las guardas, de manera que siempre debe esperar hasta que la cuchilla se detenga completamente antes de sacar la hoja de la entalladura.

Luces

La sierra ingleteadora *MILWAUKEE* 6950-20 tiene dos luces de alta potencia montadas a cada lado de la hoja para iluminar el área de corte de la pieza de trabajo para que sea fácil ver la hoja acercarse a la línea de corte. Un interruptor de encendido y apagado para las luces está convenientemente ubicado en el mango del gatillo. El foco está diseñado para brindar muchos años de servicio. Utiliza el tamaño estándar de foco GE 193.

Sistema de manejo del polvo

El sistema de recolección de polvo de la sierra ingleteadora *MILWAUKEE* 6950-20 utiliza un gran conducto de polvo a ambos lados de la hoja para atrapar y dirigir el polvo a la parte trasera de la sierra. La sierra viene con un codo de polvo y un saco capta-polvo que se colocan en la parte trasera del conducto

de polvo. El saco capta-polvo tiene un cierre ubicado en la parte inferior que facilita su vaciado. Cuando esté utilizando la sierra en un soporte, el cierre del saco capta-polvo puede permanecer abierto para permitir que los residuos caigan en el recipiente de residuos.

ENSAMBLAJE DE LA HERRAMIENTA



ADVERTENCIA

Para reducir el riesgo de una lesión, desconecte siempre la herramienta antes de fijar o retirar accesorios, o antes de efectuar ajustes. Utilice sólo los accesorios específicamente recomendados. El uso de otros accesorios puede ser peligroso.

Ajuste de la sierra ingleteadora

La sierra ingleteadora 6950-20 viene completamente regulada de fábrica. Si no es exacta debido al envío y la manipulación, siga estas instrucciones para configurar con exactitud su sierra. Una vez que la sierra esté debidamente regulada, debe permanecer exacta bajo condiciones normales del lugar de trabajo y transporte.

Cómo encuadrar la hoja (90°) a la guía (inglete de 0°)

1. Desenchufe la sierra.
2. Coloque una escuadra contra la guía y la hoja, y asegúrese de que la escuadra no esté tocando los dientes de la hoja ya que esto dará una medición inexacta.
3. Afloje la perilla de fijación del inglete y mueva la sierra a la posición de inglete de 0°. No ajuste la perilla de fijación.
4. Si la hoja de la sierra no está exactamente perpendicular a la guía, utilice la llave incluida para aflojar los tornillos que unen la escala de ingletes a la base. Mueva la escala hacia la izquierda o derecha hasta que la hoja esté perpendicular a la guía. Use la escala para verificar que la hoja esté perpendicular a la guía. Vuelva a ajustar los tornillos.
5. Afloje el tornillo de ajuste del indicador del inglete y cambie la posición del indicador de tal manera que indique exactamente cero. Una vez que el indicador haya sido ubicado apropiadamente, vuelva a ajustar el tornillo de ajuste del indicador del inglete.

Mangos de transporte

Para transportarlo con más comodidad, se incluyen muchos mangos de transporte, uno a cada lado de la mesa y uno en la parte superior de la punta de la sierra. Siempre trabaje la punta de la sierra abajo cuando la transporte.

Cómo encuadrar la hoja (90°) a la mesa (Bisel de 0°)

1. Desenchufe la sierra.
2. Coloque una escuadra contra la mesa y la hoja y asegúrese de que la escuadra no esté tocando los dientes de la hoja ya que esto dará una medición inexacta.
3. Saque los 6 tornillos que mantienen el conducto de polvo en su lugar.
4. Mueva la palanca de ajuste del bisel a la posición media y use una herramienta como cuña (destornillador, etc.) para que el mango se quede en la posición media. Mueva la punta de la sierra de tal manera que el mecanismo de detención de bisel se trabaje en el tope de bisel de 0°.
5. Afloje 2 tornillos (T25) en el frente del brazo del bisel, estos tornillos se utilizan para sujetar el objeto de retención.
6. Utilice una llave T25 para ajustar la configuración del bisel de la hoja a la mesa. En sentido horario se inclina la hoja hacia la derecha, en sentido antihorario se inclina la hoja a la izquierda.
7. Una vez configurada la hoja para un bisel de 0°, ajuste los dos tornillos con un torque de 85 a 100 pulg. libras.
8. Saque la herramienta utilizada para trabar la palanca de ajuste del bisel.
9. Mueva la palanca de ajuste de bisel hasta la posición "trabada" (lock).
10. Vuelva a colocar los laterales del conducto de polvo, ajustando los 6 tornillos hasta que queden fijos.
11. Si es necesario, afloje los tornillos de ajuste del indicador del bisel izquierdo y derecho y cambie la posición de los indicadores de tal manera que indiquen exactamente cero. Una vez que los indicadores hayan sido ubicados apropiadamente, vuelva a ajustar el tornillo de ajuste del indicador del bisel.

Montaje de la sierra ingleteadora

Para evitar que la herramienta se deslice, se caiga o se incline durante su uso, la sierra se puede montar en una superficie de apoyo como una mesa o banco de trabajo nivelado y resistente. Ubique la sierra y el banco de trabajo de manera que haya suficiente espacio para cortar transversalmente largas piezas de trabajo. Para montar la sierra, inserte sujetadores a través de los orificios de los ángulos de la base de la sierra.

Cómo instalar el saco capta-polvo

Utilice el saco capta-polvo para juntar o desviar el aserrín. Inserte el codo de polvo en el conducto de polvo en la parte posterior de la sierra. Luego, coloque el saco capta-polvo enganchándolo en el codo de polvo. Siempre debe vaciar el saco capta-polvo antes de guardarlo y con frecuencia durante el uso.

Cómo elevar y bajar la punta de la sierra

La punta de la sierra debe estar trabada en la posición baja para transportarla y almacenarla. La herramienta se envía con la punta de la sierra trabada en la posición baja. Para destrabarla, mantenga presionada la punta de la sierra mientras saca la clavija de traba. Para trabar la punta de la sierra, mantenga presionada la punta de la sierra y luego inserte la clavija de traba.

Desbloqueo

Hay un orificio en el gatillo en el que entra un candado para bloquear la herramienta cuando no está en uso. Utilice un candado con un grillete de 6,35 mm (1/4 pulg.) y siempre desenchufe la herramienta antes de instalarlo (el candado no se incluye con la herramienta).

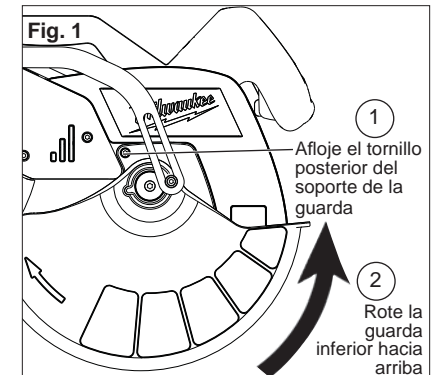
Cómo elegir la hoja de sierra ingleteadora adecuada

Utilice sólo hojas de sierra ingleteadora con la Sierra ingleteadora de bisel doble MILWAUKEE.

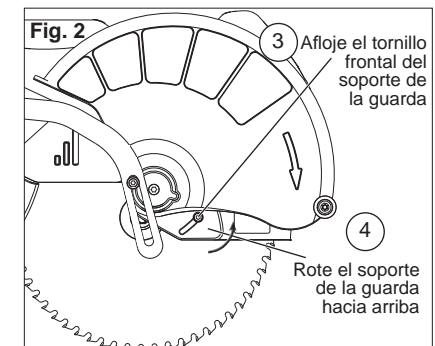
Instalación y cambio de las hojas

Siempre debe utilizar hojas limpias y filosas porque las hojas desafiladas tienden a sobrecargar la herramienta, agarrarse y provocar atascamiento. Utilice sólo hojas de 305 mm (12 pulg.) con una medición mínima de 5500 RPM.

1. Desenchufe la herramienta.
2. Con la punta de la sierra hacia arriba, utilice la llave para aflojar el tornillo trasero del soporte de la guarda un 1/4 de vuelta utilizando la llave incluida (1).
3. Eleve la guarda inferior (2).

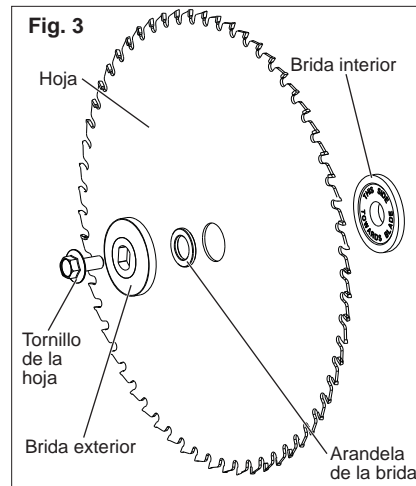


4. Afloje (no saque) el tornillo frontal del soporte de la guarda (3) hasta que el soporte de la guarda se pueda levantar para descubrir el tornillo de la hoja (4). Baje la guarda inferior hasta que esté apoyada en el tornillo frontal del soporte de la guarda. Esto la mantendrá elevada y fuera del camino mientras se cambia la hoja.



5. Presione el bloqueo del vástago y rote el vástago hasta que se enganche el bloqueo.

- Utilice la llave para aflojar y sacar en sentido horario el tornillo de la hoja de rosca izquierda.
- Saque la brida externa de la hoja, la hoja, la arandela de la hoja y la brida interior de la hoja. Pase un trapo a las bridas, arandelas y vástago para sacar todo el polvo y los desechos. Inspeccione las partes para ver si están dañadas. Reemplácelas si es necesario.



- Instale la brida interior de la hoja tal como se muestra.
- Inserte la arandela de la hoja en el orificio del árbol de la hoja.
- Haga coincidir la flecha de la hoja con la flecha de la guarda inferior. Deslice la hoja en la guarda superior y sobre el vástago.
- Instale la brida externa de la hoja.
- Presione el bloqueo del vástago y rote la hoja hasta que se enganche el bloqueo. Inserte y ajuste bien el tornillo de la hoja en sentido antihorario con la llave.
- Rote el soporte de la guarda hasta su posición y ajuste bien los dos tornillos. Vuelva a colocar la llave en el portallaves.
- Baje la punta de la sierra y controle el espacio entre la hoja y las placas ajustables de entallado. Importante: La guarda inferior debe moverse independientemente. La hoja debe rotar libremente (ver "Cómo ajustar las placas de entallado").

Cómo ajustar las placas de entallado

Las placas de entallado reducen el rasgado y astillamiento a lo largo del corte al brindar soporte en el borde. Debido a que las hojas varían en ancho, debe ajustar las placas de entallado luego de cada cambio de hoja.

Nunca debe hacer un corte sin las placas de entallado ajustables instaladas. Las placas de entallado pueden fijarse en su máximo ancho para que entren todos los anchos de hoja y ángulos de bisel si el rasgado y el astillamiento no es un aspecto importante.

- Desenchufe la herramienta.
- Instale la hoja que se va a usar. **Cada vez que se cambie la hoja, controle para asegurarse de que las placas de entallado estén debidamente ajustadas.**
- Fije el ángulo de bisel. **Cada vez que se cambie el bisel, controle para asegurarse de que las placas de entallado estén debidamente ajustadas.**
- Afloje los seis tornillos que ajustan la placa de entallado.
- Baje la punta de la sierra hasta la máxima profundidad del corte (el punto en el que la punta de la sierra ya no puede bajar más).
- Deslice las placas de entallado hasta la separación deseada y ajuste los seis tornillos.
- Asegúrese de que la hoja de la sierra no entre en contacto con las placas de entallado antes de encender la sierra.

OPERACION



ADVERTENCIA

Para reducir el riesgo de lesiones, lleve gafas de seguridad o lentes con protectores laterales. Siempre debe esperar a que la hoja se detenga completamente y desenchufe la herramienta antes de cambiar accesorios o hacer ajustes. No anule las guardas.

Utilización de las tablas separadoras (Separación cero de las subguías)

Hay orificios de montaje de tablas separadoras en las guías para colocar tablas separadoras. Las tablas separadoras ponen una distancia entre la guía y la pieza de trabajo, brindando así mejor apoyo para algunas piezas de trabajo. Se puede reducir el astillamiento de las piezas de trabajo al utilizar las tablas separadoras. A medida que el ancho de la tabla separadora aumenta, la altura de la pieza de trabajo que se puede cortar aumenta levemente (pero la capacidad de ancho decrece levemente). De manera similar, si usted coloca una tabla separadora en la mesa de la sierra y coloca una pieza de trabajo sobre la tabla separadora, puede cortar una pieza de trabajo más ancha (pero con menos altura).

Guardas

La herramienta se envía con las guardas inferior y superior instaladas. La guarda inferior debe cubrir la hoja cuando la punta de la sierra está hacia arriba y debe moverse libremente y abrirse automáticamente a medida que la punta de la sierra se inserta en la pieza de trabajo. Si la guarda inferior parece estar suelta, se pega o si no se mueve para cubrir la hoja cuando la punta de la sierra está hacia arriba, ajuste los tornillos de soporte de la guarda. Si aún no se mueve libremente, lleve la sierra a un centro de servicio autorizado para reparaciones. No intente abrir la guarda más allá de lo que la acción automática lo permite.

Elija con cuidado la pieza de trabajo

Tenga cuidado al trabajar con piezas de trabajo resinosas, con nudos, húmedas o pandeadas. Estos materiales tienen tendencia a causar atoramiento. Aquellas piezas de trabajo que se curvan o atascan podrían ocasionar una reacción de retroceso. Busque y saque los clavos antes de cortar. Siempre debe tener las hojas limpias y afiladas; si no, la hoja produce una entalladura estrecha y es probable que se atore en la pieza de trabajo. Esta herramienta no se recomienda para cortar metales ferrosos como el hierro y el acero. Ver Aplicaciones para una lista más exhaustiva de materiales.

Sujete adecuadamente la pieza de trabajo

Siempre debe sujetar la pieza de trabajo durante el uso. De lo contrario, la pieza de trabajo puede ser jalada hacia arriba y hacia el interior de la sierra.

- Utilice la guía: Alinee el borde de la pieza de trabajo contra la guía para brindar una trayectoria derecha para la hoja de la sierra. Esto ayudará a eliminar la tendencia a atascarse de los dientes de la hoja. La guía se puede utilizar como apoyo para cortes en inglete, en bisel y compuestos.
- Utilice un broche: Sujete la pieza de trabajo a la guía o a la base con un broche en C.

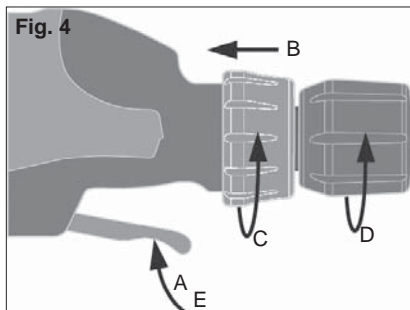
Sujeción de piezas de trabajo más largas

Las piezas de trabajo más largas necesitan sujeción en toda su longitud. Si está utilizando una sierra en un banco de trabajo nivelado, apunte la pieza de trabajo a una altura de 120,65 mm (4-3/4") de la parte inferior de los pies de la sierra. También hay muchas mesas de trabajo que se pueden comprar como repuestos especialmente diseñadas para sierras ingleteadoras que brindan sujeción para todos los tipos de piezas de trabajo.

Ajuste del ángulo de inglete

El ángulo de inglete se puede fijar utilizando topes para los ángulos de corte comunes, además de ajustar con exactitud para cualquier ángulo. Use el indicador del ángulo de inglete para ajustar la mesa giratoria a cualquier ángulo en toda la amplitud de inglete. El indicador digital del ángulo de inglete muestra el ángulo seleccionado.

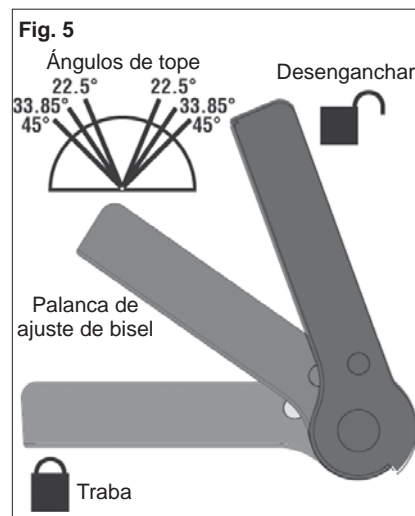
1. Afloje la perilla de fijación del ángulo de inglete.
2. Para seleccionar el ángulo de inglete, tire hacia arriba la palanca de retención y gire la mesa giratoria hasta el ángulo de retención más cercano al ángulo deseado. La sierra corta ángulos de inglete desde 55° sobre la izquierda hasta 60° sobre la derecha. Hay topes disponibles a 0°; 15°; 22,5°; 32,62°; 45° y 60°.
3. Ajuste la perilla de fijación del ángulo de inglete para utilizar el ángulo de inglete elegido en el tope antes de hacer un corte.
4. Para hacer un ajuste fino en el ángulo de inglete:
 - A. Jale hacia arriba y mantenga la palanca de retención.
 - B. Empuje el anillo de ajuste fino hacia adelante hasta que se trabaje para engranar la anulación de automatismo.
 - C. Gire el anillo de ajuste fino hacia la izquierda o hacia la derecha hasta que se pueda leer el ángulo deseado en el indicador digital de ángulo de inglete. $\frac{1}{4}$ de vuelta = 1° de cambio en el ángulo de inglete.
 - D. Ajuste la perilla de fijación del ángulo de inglete para asegurar la mesa antes de hacer un corte.
 - E. Tire hacia arriba la palanca de retención para liberar el anillo de ajuste fino.



Ajuste del ángulo de bisel

El ángulo de bisel se puede fijar usando los topes para ángulos de corte comunes, además de adaptarse a cualquier ángulo entre ellos por medio de la utilización de la escuadra de ángulo de bisel. El mecanismo de bisel también tiene muchos grados de sobrecarrera tanto a la derecha como a la izquierda.

1. Desenchufe la herramienta.
2. Para ajustar el ángulo de bisel, coloque una mano sobre el mango frontal para mejor control.
3. Con la otra mano, levante la palanca de ajuste de bisel.
 - A. Para utilizar topes preestablecidos, levante la palanca de ajuste de bisel la mitad del recorrido (hasta que haga "clic") para mover la punta de la sierra hacia la derecha o la izquierda, con detenciones en los topes preestablecidos.
 - B. Para mover la punta con total libertad, levante la palanca de ajuste de bisel hasta el final del recorrido para mover con total libertad la punta de la sierra a través de toda la amplitud de bisel.
4. Tire o empuje la punta de la sierra hasta el ángulo deseado utilizando la escuadra de ángulo de bisel.
5. Baje la palanca de ajuste de bisel para fijar el ángulo de bisel antes de hacer un corte.



Guías

1. Afloje las perillas de fijación de la guía.
2. El lado izquierdo de la guía puede deslizarse de lado a lado hasta la posición deseada para permitir un corte de bisel izquierdo o un inglete izquierdo compuesto.
3. La guía del lado derecho puede sacarse para lograr un corte de bisel derecho o un inglete compuesto derecho al subir la guía.
4. Siempre debe colocar las guías correctamente para obtener el máximo apoyo de trabajo.
5. Ajuste bien las perillas de fijación de la guía antes de hacer un corte.

NOTA: Si cualquiera de las guías tiene algún movimiento hacia adelante o hacia atrás, ajuste el tornillo fijador de la guía que está ubicado en la parte trasera de la ranura de cada guía.

Luces

Utilice el interruptor de encendido y apagado para encender las luces de la mesa giratoria antes de hacer un corte. Apague las luces cuando haya terminado de cortar.



ADVERTENCIA

Para reducir el riesgo de lesiones, no confíe en el freno como un recurso de seguridad. Siempre espere hasta que la hoja se detenga completamente antes de acercarse cualquier cosa a la hoja.



ADVERTENCIA

Para reducir el riesgo de lesiones, asegúrese de que todos los ajustes estén bien fijados antes de hacer un corte.

Arranque y parada de la herramienta

Siempre debe mantener el mango del gatillo firmemente porque la acción de arranque y parada del motor puede hacer que el mango se mueva hacia arriba o hacia abajo levemente. Siempre debe asegurar la mesa giratoria ajustando la perilla de fijación del ángulo de inglete.

1. Para arrancar el motor, pulse el gatillo.
2. Para parar el motor, suelte el gatillo.

Realizando un corte

1. Conecte la herramienta. Levante la cabeza de la sierra completamente.
2. Seleccione los ángulos deseados, siguiendo los pasos que aparecen en "Cómo ajustar el corte en ángulos perpendiculares" y "Ajuste del ángulo de bisel".
3. Coloque el material en el tornamesa y alinee el corte.
4. Soporte el material, utilizando cualquiera de los métodos descritos en "Soporte el material en forma adecuada".
5. Encienda el motor. Espere unos segundos hasta que el disco de corte alcance su máxima velocidad. Luego, suavemente, baje la cabeza de la sierra a través del material, hasta que complete el corte (3).
6. Siempre deje que la sierra realice el trabajo. El forzar la herramienta puede generar un sobrecalentamiento del motor.
7. Después de realizar el corte, suelte el gatillo y espere que el disco de corte se detenga completamente. Luego, suavemente, levante la cabeza de la sierra y saque el material. Siempre desconecte la herramienta antes de retirar los pedazos sobrantes desde dentro del área de la guarda.

APLICACIONES



ADVERTENCIA

No corte piedra, ladrillo, concreto ni materiales ferrosos (hierro, acero, acero inoxidable ni aleaciones de estos metales) con esta sierra.

No use discos abrasivos con esta sierra.

El polvo producido por el corte de estos materiales y el uso de discos de corte abrasivos puede trabar la protección de la hoja y podría ocasionar lesiones.

Materiales y usos recomendados

Los siguientes materiales pueden cortarse con la sierra ingleteadora compuesta deslizable. Hay muchos tipos disponibles de hojas de sierra. Siempre debe utilizar la hoja correcta para determinado material y aplicación.

Madera: madera maciza, contrachapado, madera prensada, MDF (tabla de fibras de mediana densidad), HDF (tabla de fibras de alta densidad), madera prensada con laminado de melanina, laminados de fórmica, tablero de aglomerado (masonita).

Plásticos: PVC, CPVC, ABS, materiales sólidos de tratamiento de superficie (como Corian®) y otros materiales plásticos.

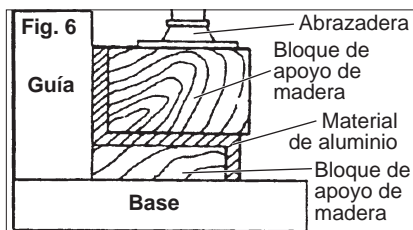
Metales no ferrosos: aluminio, latón, cobre y otros materiales no ferrosos.

Cómo cortar materiales que no están en escuadra / Cómo cortar materiales circulares (cilíndricos)

Los bloques con forma de "V" pueden utilizarse para apuntalar materiales circulares como barras de ropero y tuberías de plástico.

Hojas de ventanas de aluminio y otros materiales tipo acanalado

El material de las hojas de ventanas de aluminio se puede apuntalar con bloques para evitar que se deforme mientras se está cortando.



Dos métodos para cortar moldura de vértice

Los ángulos creados en una pieza de moldura de vértice que encaja justo contra el techo y la pared, cuando se los sume, serán igual a 90° (A + B = 90°). Los ángulos de moldura de vértice más comunes son:

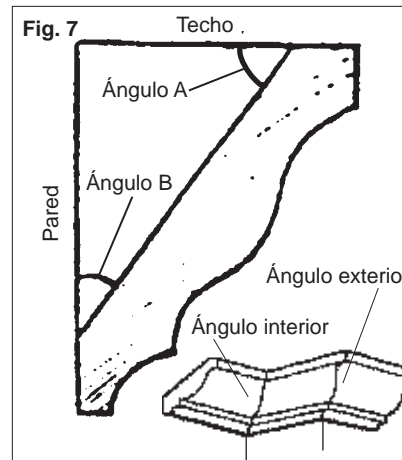
52°/38°: Un ángulo de 52° contra el techo (A) y un ángulo de 38° contra la pared (B). La sierra ingleteadora tiene configuraciones de inglete especiales a 31,6° hacia la izquierda y derecha, y una configuración de bisel a 33,9° para utilizar cuando se esté cortando moldura de vértice de 52°/38° bien apoyado sobre la mesa de la sierra ingleteadora. Estas configuraciones están identificadas por un diamante.

45°/45°: Un ángulo de 45° contra el techo (A) y un ángulo de 45° contra la pared (B). La sierra ingleteadora tiene configuraciones de inglete especiales a 35,3° hacia la izquierda y derecha y una configuración de bisel a 30° para utilizar cuando se esté cortando un vértice de 45°/45° bien apoyado sobre la mesa de la sierra ingleteadora. Estas configuraciones están identificadas por un círculo negro.

NOTA: Aunque estos ángulos son estándares, las habitaciones muy pocas veces están construidas de tal manera que los ángulos tengan exactamente 90°. Usted tendrá que "adaptar" estos parámetros y hacer los ajustes necesarios en los ángulos de corte.

Capacidad de moldura de base	Capacidad de vértice encajado
152,4 mm (6") a 0°	168,27 mm (6-5/8")
152,4 mm (6") a 45° hacia la izquierda y la derecha	

Amplitud de inglete	Topes de inglete	Amplitud de bisel	Topes de bisel
de 0° a 52° hacia la izquierda	0°; 15°; 22,5°; 31,62° y 45° hacia la izquierda	de 0° a 48° hacia la izquierda	0°; 22,5°; 33,85°; 45° y 48° hacia la izquierda
de 0° a 52° hacia la derecha	0°; 15°; 22,5°; 31,62° y 45° hacia la derecha	de 0° a 48° hacia la derecha	0°; 22,5°; 33,85°; 45° y 48° hacia la derecha



Cómo cortar moldura de vértice plano sobre la mesa de sierra ingleteadora

La ventaja de cortar moldura de vértice plano sobre la mesa es que es más fácil asegurar la moldura en la posición correcta de corte. También se pueden cortar piezas más grandes de moldura de vértice cuando están bien apoyadas sobre la mesa de la sierra ingleteadora.

1. Configure los ángulos de bisel e inglete utilizando la tabla de ángulos de inglete de molduras de vértice. Ajuste la perilla de fijación de inglete y la perilla de fijación de bisel.
 2. La utilización de la sección de posicionamiento a continuación, posiciona correctamente la moldura.
- NOTA:** Siempre debe hacer un corte de prueba en material de desecho para confirmar que todos los ángulos son los correctos.
3. Haga el corte siguiendo el procedimiento de "Cómo hacer un corte sin deslizamiento".

Cómo cortar una moldura de vértice en ángulo contra la guía (encajado - en posición)

Siempre debe utilizar una guía para moldura de vértice cuando esté cortando una moldura de vértice en ángulo contra la guía. Cuando esté cortando una moldura de vértice en ángulo contra la guía no es necesario configurar el bisel. Los pequeños cambios en el ángulo del inglete se pueden realizar sin afectar el ángulo de bisel. Cuando esté utilizando este método, la sierra puede ajustarse rápida y fácilmente para aquellos ángulos que no tienen 90° (rectos).

Cómo posicionar la moldura de vértice estándar (EE. UU.) con ángulos de 52° y 38° (fijar el ángulo de bisel a 33,85°)

Lado izquierdo, ángulo interno

1. Borde superior de la moldura contra la guía
2. Mesa de inglete configurada a la derecha 31,62°
3. Guarde el extremo izquierdo del corte

Lado derecho, ángulo interno

1. Borde inferior de la moldura contra la guía
2. Mesa de inglete configurada a la izquierda 31,62°
3. Guarde el extremo izquierdo del corte

Lado izquierdo, ángulo externo

1. Borde inferior de la moldura contra la guía
2. Mesa de inglete configurada a la izquierda 31,62°
3. Guarde el extremo derecho del corte

Lado derecho, ángulo externo

1. Borde superior de la moldura contra la guía
2. Mesa de inglete configurada a la derecha 31,62°
3. Guarde el extremo derecho del corte

La moldura de vértice estándar (EE. UU.) con ángulos de 45° (fijar el ángulo de bisel a 0°)

Lado izquierdo, ángulo interno

1. Borde superior de la moldura contra la guía
2. Mesa de inglete configurada a la derecha 45°
3. Guarde el extremo izquierdo del corte

Lado derecho, ángulo interno

1. Borde inferior de la moldura contra la guía
2. Mesa de inglete configurada a la izquierda 45°
3. Guarde el extremo izquierdo del corte

Lado izquierdo, ángulo externo

1. Borde inferior de la moldura contra la guía
2. Mesa de inglete configurada a la izquierda 45°
3. Guarde el extremo derecho del corte

Lado derecho, ángulo externo

1. Borde superior de la moldura contra la guía
2. Mesa de inglete configurada a la derecha 45°
3. Guarde el extremo derecho del corte

Ángulos de inglete de la moldura de vértice

Ángulo de la pared (B)	38° / 52° inglete/bisel	45°/45° inglete/bisel
67	42.93/41.08	46.89/36.13
68	42.39/40.79	46.35/35.89
69	41.85/40.50	45.81/35.64
70	41.32/40.20	45.28/35.40
71	40.79/39.90	44.75/35.15
72	40.28/39.61	44.22/34.89
73	39.76/39.30	43.70/34.64
74	39.25/39.00	43.18/34.38
75	38.74/38.69	42.66/34.12
76	38.24/38.39	42.15/33.86
77	37.74/38.08	41.64/33.60
78	37.24/37.76	41.13/33.33
79	36.75/37.45	40.62/33.07
80	36.27/37.13	40.12/32.80
81	35.79/36.81	39.62/32.53
82	35.31/36.49	39.13/32.25
83	34.83/36.17	38.63/31.98
84	34.36/35.85	38.14/31.70
85	33.90/35.52	37.66/31.42
86	33.43/35.19	37.17/31.14
87	32.97/34.86	36.69/30.86
88	32.52/34.53	36.21/30.57
89	32.07/34.20	35.74/30.29
90	31.62/33.86	35.26/30.00
91	31.17/33.53	34.79/29.71
92	30.73/33.19	34.33/29.42
93	30.30/32.85	33.86/29.13
94	29.86/32.51	33.40/28.83
95	29.43/32.17	32.94/28.54
96	29.00/31.82	32.48/28.24
97	28.58/31.48	32.02/27.94
98	28.16/31.13	31.58/27.64
99	27.74/30.78	31.13/27.34
100	27.32/30.43	30.68/27.03
101	26.91/30.08	30.24/26.73
102	26.50/29.73	29.80/26.42
103	26.09/29.38	29.36/26.12
104	25.69/29.02	28.92/25.81
105	25.29/28.67	28.48/25.50
106	24.78/28.31	28.05/25.19

Ángulo de la pared (B)	38° / 52° inglete/bisel	45°/45° inglete/bisel
107	24.49/27.95	27.62/24.87
108	24.10/27.59	27.19/24.56
109	23.71/27.23	26.77/24.24
110	23.32/26.87	26.34/23.93
111	22.93/26.51	25.92/23.61
112	22.55/26.15	25.50/23.29
113	22.17/25.78	25.08/22.97
114	21.79/25.42	24.66/22.65
115	21.42/25.05	24.25/22.33
116	21.04/24.68	23.84/22.01
117	20.67/24.31	23.43/21.68
118	20.30/23.94	23.02/21.36
119	19.93/23.57	22.61/21.03
120	19.57/23.20	22.21/20.70
121	19.20/22.83	21.80/20.38
122	18.84/22.46	21.40/20.05
123	18.48/22.09	21.00/19.72
124	18.13/21.71	20.61/19.39
125	17.77/21.34	20.21/19.06
126	17.42/20.96	19.81/18.72
127	17.06/20.59	19.42/18.39
128	16.71/20.21	19.03/18.06
129	16.37/19.83	18.64/17.72
130	16.02/19.45	18.25/17.39
131	15.67/19.07	17.86/17.05
132	15.33/18.69	17.48/16.71
133	14.99/18.31	17.09/16.38
134	14.65/17.93	16.71/16.04
135	14.30/17.55	16.32/15.70
136	13.97/17.17	15.94/15.36
137	13.63/16.79	15.56/15.02
138	13.30/16.40	15.19/14.68
139	12.96/16.02	14.81/14.34
140	12.63/15.64	14.43/14.00
141	12.30/15.25	14.06/13.65
142	11.97/14.87	13.68/13.31
143	11.64/14.48	13.31/12.97
144	11.31/14.09	12.94/12.62
145	10.99/13.71	12.57/12.28
146	10.66/13.32	12.20/11.93

Cómo cortar ingletes compuestos

La tabla a continuación identifica las configuraciones de inglete y bisel para diferentes tipos de ingletes compuestos. Siempre debe hacer cortes de prueba en material de desecho antes de hacer un corte en la pieza de trabajo.

Pendiente	Lados							
	4	5	6	7	8	9	10	
0°	Inglete	45.00°	36.00°	30.00°	25.71°	22.50°	20.00°	18.00°
	Bisel	0.00°	0.00°	0.00°	0.00°	0.00°	0.00°	0.00°
5°	Inglete	44.89°	35.90°	29.91°	25.63°	22.42°	19.93°	17.94°
	Bisel	3.53°	2.94°	2.50°	2.17°	1.91°	1.71°	1.54°
10°	Inglete	44.56°	35.58°	29.62°	25.37°	22.19°	19.72°	17.74°
	Bisel	7.05°	5.86°	4.98°	4.32°	3.81°	3.40°	3.08°
15°	Inglete	44.01°	35.06°	29.15°	24.95°	21.81°	19.37°	17.42°
	Bisel	10.55°	8.75°	7.44°	6.45°	5.68°	5.08°	4.59°
20°	Inglete	43.22°	34.32°	28.48°	24.35°	21.27°	18.88°	16.98°
	Bisel	14.00°	11.60°	9.85°	8.53°	7.52°	6.72°	6.07°
25°	Inglete	42.19°	33.36°	27.62°	23.56°	20.58°	18.26°	16.41°
	Bisel	17.39°	14.38°	12.20°	10.57°	9.31°	8.31°	7.50°
30°	Inglete	40.89°	32.18°	26.57°	22.64°	19.73°	17.50°	15.72°
	Bisel	20.70°	17.09°	14.48°	12.53°	11.03°	9.85°	8.89°
35°	Inglete	39.32°	30.76°	25.31°	21.53°	18.74°	16.60°	14.90°
	Bisel	23.93°	19.70°	16.67°	14.41°	12.68°	11.31°	10.21°
40°	Inglete	37.45°	29.10°	23.86°	20.25°	17.60°	15.58°	13.98°
	Bisel	27.03°	22.20°	18.75°	16.19°	14.24°	12.70°	11.46°
45°	Inglete	35.26°	27.19°	22.21°	18.80°	16.32°	14.43°	12.94°
	Bisel	30.00°	24.56°	20.70°	17.87°	15.70°	14.00°	12.62°
50°	Inglete	32.73°	25.03°	20.36°	17.20°	14.91°	13.17°	11.80°
	Bisel	32.80°	26.76°	22.52°	19.41°	17.05°	15.19°	13.69°
55°	Inglete	29.84°	22.62°	18.32°	15.44°	13.36°	11.79°	10.56°
	Bisel	35.40°	28.78°	24.18°	20.82°	18.27°	16.27°	14.66°
60°	Inglete	26.57°	19.96°	16.10°	13.54°	11.70°	10.31°	9.23°
	Bisel	37.76°	30.60°	25.66°	22.07°	19.35°	17.23°	15.52°
65°	Inglete	22.91°	17.07°	13.71°	11.50°	9.93°	8.74°	7.82°
	Bisel	39.86°	32.19°	26.95°	23.16°	20.29°	18.06°	16.26°
70°	Inglete	18.88°	13.95°	11.17°	9.35°	8.06°	7.10°	6.34°
	Bisel	41.64°	33.53°	28.02°	24.06°	21.08°	18.75°	16.88°
75°	Inglete	14.51°	10.65°	8.50°	7.10°	6.12°	5.38°	4.81°
	Bisel	43.08°	34.59°	28.88°	24.78°	21.69°	19.29°	17.37°
80°	Inglete	9.85°	7.19°	5.73°	4.78°	4.11°	3.62°	3.23°
	Bisel	44.14°	35.37°	29.50°	25.30°	22.14°	19.68°	17.72°
85°	Inglete	4.98°	3.62°	2.88°	2.40°	2.07°	1.82°	1.62°
	Bisel	44.78°	35.84°	29.87°	25.61°	22.41°	19.92°	17.93°
90°	Inglete	0.00°	0.00°	0.00°	0.00°	0.00°	0.00°	0.00°
	Bisel	45.00°	36.00°	30.00°	25.71°	22.50°	20.00°	18.00°

MANTENIMIENTO



ADVERTENCIA

Para reducir el riesgo de lesiones, desconecte siempre la herramienta antes de darle cualquier mantenimiento. Nunca desarme la herramienta ni trate de hacer modificaciones en el sistema eléctrico de la misma. Acuda siempre a un Centro de Servicio MILWAUKEE para TODAS las reparaciones.

Mantenimiento de las herramientas

Adopte un programa regular de mantenimiento y mantenga su herramienta en buenas condiciones. Antes de usarla, examine las condiciones generales de la misma. Inspeccione guardas, interruptores, el cable de la herramienta y el cable de extensión. Busque tornillos sueltos o flojos, defectos de alineación y dobleces en partes móviles, así como montajes inadecuados, partes rotas y cualquier otra condición que pueda afectar una operación segura. Si detecta ruidos o vibraciones anormales, apague la herramienta de inmediato y corrija el problema antes de volver a usarla. No utilice una herramienta dañada. Colóquela una etiqueta que diga "NO DEBE USARSE" hasta que sea reparada (vea "Reparaciones").

Bajo condiciones normales, no se requiere lubricación hasta que haya que cambiar los carbones. Después de 6 meses a un año, dependiendo del uso dado, envíe su herramienta al Centro de Servicio MILWAUKEE más cercano para que le hagan:

- Lubricación
- Inspección y cambio de carbones
- Inspección mecánica y limpieza (engranes, flechas, baleros, carcarza, etc.)
- Inspección eléctrica (interruptor, cable, armadura, etc.)
- Probarla para asegurar una operación mecánica y eléctrica adecuada.



ADVERTENCIA

Para reducir el riesgo de lesiones, descarga eléctrica o daño a la herramienta, nunca la sumerja en líquidos ni permita que estos fluyan dentro de la misma.

Limpieza

Limpie el polvo y suciedad de las ventilas. Mantenga las empuñaduras de la herramienta limpias, secas y libres de aceite y grasa. Use sólo jabón neutro y un trapo húmedo para limpiar su herramienta ya que algunas sustancias y disolventes limpiadores pueden ocasionar daños a materiales plásticos y partes aislantes. Algunos de estos incluyen: gasolina, trementina, diluyente para barniz, diluyente para pintura, disolventes limpiadores clorados, amoníaco, y detergentes caseros que contengan amoníaco.

Reparaciones

Si su instrumento se daña, vuelva el instrumento entero al más cercano centro de reparaciones.

ACCESORIOS



ADVERTENCIA

Para reducir el riesgo de lesiones, siempre extraiga la batería antes de cambiar o retirar accesorios. Utilice únicamente accesorios específicamente recomendados para esta herramienta. El uso de accesorios no recomendados podría resultar peligroso.

Para una lista completa de accesorios, refiérase a su catálogo MILWAUKEE Electric Tool o visite nuestro sitio en Internet: www.milwaukeetool.com. Para obtener un catálogo, contacte su distribuidor local o uno de los centros de servicio listos en la página de cubierta de este manual.

GARANTÍA LIMITADA DE CINCO AÑOS

Cada herramienta eléctrica MILWAUKEE (incluyendo el cargador de batería) está garantizada sólo al comprador original de estar libre de defectos en el material y la mano de obra. Sujeto a ciertas excepciones, MILWAUKEE reparará o reemplazará por un período de cinco (5) años* después de la fecha de compra cualquier pieza en una herramienta eléctrica que, después de haber sido examinada, MILWAUKEE determine que está defectuosa en el material o la mano de obra. Regrese la herramienta eléctrica y una copia de la prueba de compra a un concesionario de soporte de ventas/servicio de fábrica MILWAUKEE o a una estación de servicio autorizada MILWAUKEE. Para que esta garantía sea efectiva, se requiere el flete pagado por anticipado y el seguro. Esta garantía no aplica a los daños que MILWAUKEE determine sean ocasionados por reparaciones o intentos de reparación por cualquier otro que personal autorizado por MILWAUKEE, uso indebido, alteraciones, abuso, desgaste y deterioro normal, falta de mantenimiento o accidentes.

* El plazo de garantía para los montacargas (de palanca, de cadena manual y de cadena eléctrica), de todas las baterías de Ni-Cd, de las linternas de trabajo (inalámbricas), de los radios para el lugar de trabajo, y de los carros Trade Titan™ para trabajo industrial es de un (1) año a partir de la fecha de compra. *El plazo de garantía para las baterías de iones de litio que no incluyan tecnología V™ (desde 4,0 voltios hasta 18,0 voltios) es de dos (2) años a partir de la fecha de compra.

*Existe una garantía por separado para las baterías de iones de litio con tecnología V™ (de 18 voltios o más) que viene incluida con las herramientas eléctricas que poseen tecnología V™:

*Cada batería de iones de litio de tecnología V™ de MILWAUKEE de 18 voltios o superior, está cubierta con una garantía de reemplazo gratuito por las primeras 1000 cargas/2 años. Esto significa que por lo que suceda primero, las primeras 1000 cargas o dos (2) años de la fecha de compra/primeras carga, se proporcionará sin cargo al cliente, una batería de reemplazo por cualquier batería defectuosa. A partir de entonces, los clientes recibirán una garantía adicional en una base proporcional que puede ser hasta de las primeras 2000 cargas o cinco (5) años de la fecha de compra/primeras carga, lo que suceda primero. Esto significa que cada cliente obtiene una garantía proporcional de 1000 cargas o tres (3) años adicionales en la batería de iones de litio de tecnología V™ de 18 voltios o superior, dependiendo de la cantidad de uso. Durante este período adicional de garantía, el cliente paga por sólo el servicio utilizable recibido durante y superior a las primeras 1000 cargas/2 años, de acuerdo a la fecha de la primera carga y al número de cargas encontradas en la batería a través del lector de servicio de tecnología V™ de MILWAUKEE.

El registro de la garantía no es necesario para obtener la garantía aplicable en un producto MILWAUKEE. Sin embargo, se requiere un recibo de compras u otra información similar que MILWAUKEE considere suficiente. Si no se presenta ningún comprobante de compra cuando se solicita el servicio de garantía, se tendrá en cuenta la fecha de fabricación del producto para establecer el período de garantía.

LA ACEPTACIÓN DE LOS REMEDIOS EXCLUSIVOS DE REPARACIÓN Y REEMPLAZO AQUÍ DESCRITOS ES UNA CONDICIÓN DEL CONTRATO EN LA COMPRA DE CADA PRODUCTO MILWAUKEE. SI NO ESTÁ DE ACUERDO CON ESTA CONDICIÓN, NO DEBERÍA COMPRAR ESTE PRODUCTO. EN NINGÚN CASO MILWAUKEE SERÁ RESPONSABLE POR CUALESQUIER DAÑO PUNITIVO, CONSECUENTE, ESPECIAL, INCIDENTAL O POR CUALESQUIER COSTO, HONORARIOS DE ABOGADO, GASTOS, PÉRDIDAS O RETRASOS QUE SE ARGUMENTE QUE SEAN UNA CONSECUENCIA DE CUALQUIER DAÑO A, FALLA DE, O DEFECTO EN CUALQUIER PRODUCTO, INCLUYENDO, PERO SIN LIMITARSE A, CUALQUIER RECLAMO POR PÉRDIDAS DE GANANCIAS. ESTA GARANTÍA ES EXCLUSIVA Y REEMPLAZA TODAS LAS DEMÁS GARANTÍAS O CONDICIONES, ORALES O ESCRITAS, EXPRESAS O IMPLÍCITAS. SIN LIMITAR LA GENERALIDAD DE LO ANTERIOR, MILWAUKEE RENUNCIA A TODA GARANTÍA IMPLÍCITA DE COMERCIABILIDAD O APTITUD PARA UN FIN O USO ESPECÍFICO Y DEMÁS GARANTÍAS.

Esta garantía es válida solamente en el producto vendido en los Estados Unidos, México y Canadá.

UNITED STATES - MILWAUKEE Service

MILWAUKEE prides itself in producing a premium quality product that is NOTHING BUT HEAVY DUTY®. Your satisfaction with our products is very important to us! If you encounter any problems with the operation of this tool, or you would like to locate the *factory Service/Sales* Support Branch or *authorized service station* nearest you, please call...

1-800-SAWDUST

(1.800.729.3878)

Monday-Friday

7:00 AM - 6:30 PM

Central Time

or visit our website at

www.milwaukeetool.com

For service information, use the 'Service Center Search' icon found in the 'Parts & Service' section.

Additionally, we have a nationwide network of *authorized* Distributors ready to assist you with your tool and accessory needs. Check your "Yellow Pages" phone directory under "Tools-Electric" for the names & addresses of those nearest you or see the 'Where To Buy' section of our website.

Contact our Corporate After Sales Service Technical Support about ...

- Technical Questions
- Service/Repair Questions
- Warranty

call: 1-800-SAWDUST

fax: 1.800.638.9582

email: metproductsupport@milwaukeetool.com

Register your tool online at www.milwaukeetool.com and...

- receive important notifications regarding your purchase
- ensure that your tool is protected under the warranty
- become a HEAVY DUTY club member

Canada - Service MILWAUKEE

MILWAUKEE est fier de proposer un produit de première qualité NOTHING BUT HEAVY DUTY®.

Votre satisfaction est ce qui compte le plus!

En cas de problèmes d'utilisation de l'outil ou pour localiser le centre de service/ventes ou le centre d'entretien le plus proche, appelez le...

416.439.4181

fax: 416.439.6210

Milwaukee Electric Tool (Canada) Ltd

755 Progress Avenue

Scarborough, Ontario M1H 2W7

Notre réseau national de distributeurs agréés se tient à votre disposition pour fournir l'aide technique, l'outillage et les accessoires nécessaires. Composez le 416.439.4181 pour obtenir les noms et adresses des revendeurs les plus proches ou bien consultez la section «Où acheter» sur notre site web à l'adresse

www.milwaukeetool.com

MEXICO - Soporte de Servicio MILWAUKEE

Milwaukee Electric Tool, S.A. de C.V.

Blvd. Abraham Lincoln no. 13

Colonia Los Reyes Zona Industrial

Tlalnepanla, Edo. México C.P. 54073

Tel. (55) 5565-1414 Fax: (55) 5565-6874

Adicionalmente, tenemos una red nacional de distribuidores *autorizados* listos para ayudarle con su herramienta y sus accesorios. Por favor, llame al (55) 5565-1414 para obtener los nombres y direcciones de los más cercanos a usted, o consulte la sección 'Where to buy' (Dónde comprar) de nuestro sitio web en

www.milwaukeetool.com

Registre su herramienta en línea, en www.milwaukeetool.com y...

- reciba importantes avisos sobre su compra
- asegúrese de que su herramienta esté protegida por la garantía
- conviértase en integrante de Heavy Duty

MILWAUKEE ELECTRIC TOOL CORPORATION

13135 West Lisbon Road • Brookfield, Wisconsin, U.S.A. 53005

58-14-6950d2

09/08

Printed in Taiwan

Free Manuals Download Website

<http://myh66.com>

<http://usermanuals.us>

<http://www.somanuals.com>

<http://www.4manuals.cc>

<http://www.manual-lib.com>

<http://www.404manual.com>

<http://www.luxmanual.com>

<http://aubethermostatmanual.com>

Golf course search by state

<http://golfingnear.com>

Email search by domain

<http://emailbydomain.com>

Auto manuals search

<http://auto.somanuals.com>

TV manuals search

<http://tv.somanuals.com>