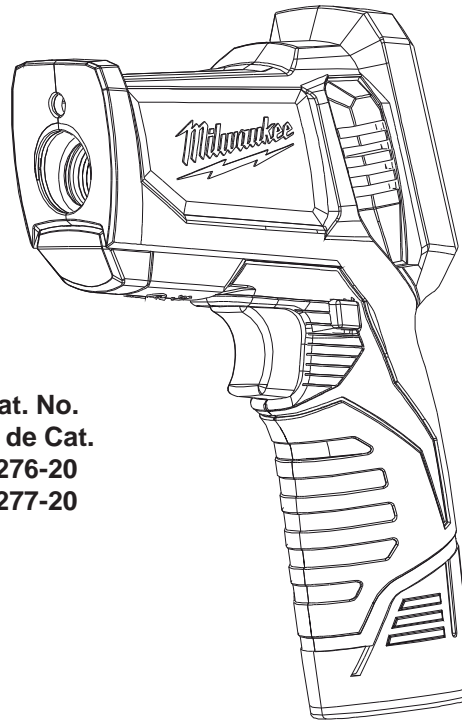




**OPERATOR'S MANUAL
MANUEL de L'UTILISATEUR
MANUAL del OPERADOR**



**Cat. No.
No de Cat.
2276-20
2277-20**

12 V Laser Temp-Gun™ Thermometers

Thermomètre laser Temp-Gun™ de 12 V

Termómetros láser Temp-Gun™ de 12 V

TO REDUCE THE RISK OF INJURY, USER MUST READ AND UNDERSTAND OPERATOR'S MANUAL.

AFIN DE RÉDUIRE LE RISQUE DE BLESSURES, L'UTILISATEUR DOIT LIRE ET BIEN COMPRENDRE LE MANUEL DE L'UTILISATEUR.

PARA REDUCIR EL RIESGO DE LESIONES, EL USUARIO DEBE LEER Y ENTENDER EL MANUAL DEL OPERADOR.

IMPORTANT SAFETY INSTRUCTIONS

WARNING READ ALL SAFETY WARNINGS AND INSTRUCTIONS. Failure to follow the warnings and instructions may result in electric shock, fire and/or serious injury. Save these instructions - This operator's manual contains important safety and operating instructions for MILWAUKEE Laser Temp-Gun™ Thermometers. Before using the Temp-Gun™, read this operator's manual, your battery pack and charger operator's manual, and all labels on the battery pack, charger and Temp-Gun™.

LASER SAFETY

- Laser light - Do not stare into beam or view directly with optical instruments. Do not point laser light at others. Laser light can cause eye damage.
- Avoid exposure to laser radiation. Laser may emit hazardous radiation.
- Do not point laser at reflective surfaces. Unpredictable results may occur.

WORK AREA SAFETY

- Keep children and bystanders away while operating Temp-Gun™. Store idle Temp-Gun™ out of the reach of children and do not allow persons unfamiliar with the tool or these instructions to operate them.
- Avoid dangerous environments. Do not use in rain, snow, damp or wet locations. Do not use in the presence of explosive atmospheres (gaseous fumes, dust or flammable materials) because sparks may be generated when inserting or removing battery pack, possibly causing fire.

PERSONAL SAFETY

- Stay alert, watch what you are doing and use common sense when operating Temp-Gun™. Do not use while you are tired or under the influence of drugs, alcohol or medication. A moment of inattention may result in serious personal injury.
- Do not overreach. Keep proper footing and balance at all times. This enables better control in unexpected situations.

BATTERY USE AND CARE

- Recharge only with the charger specified by the manufacturer. A charger that is suitable for one type of battery pack may create a risk of fire when used with another battery pack.
- Use power tools only with specifically designated battery packs. Use of any other battery packs may create a risk of injury and fire.
- When battery pack is not in use, keep it away from other metal objects like paper clips, coins, keys, nails, screws, or other small metal objects that can make a connection from one terminal to another. Shorting the battery terminals together may cause burns or a fire.

- Under abusive conditions, liquid may be ejected from the battery, avoid contact. If contact accidentally occurs, flush with water. If liquid contacts eyes, additionally seek medical help. Liquid ejected from the battery may cause irritation or burns.

SERVICE

- Have your Temp-Gun™ serviced by a qualified repair person using only identical replacement parts. This will ensure that the safety of the tool is maintained.
- Do not disassemble. Incorrect reassembly may result in the risk of electric shock or fire. If it is damaged, take it to a MILWAUKEE service facility.
- Store in a cool, dry place. Do not store where temperatures may exceed 120°F (50°C) such as in direct sunlight, a vehicle or metal building during the summer.
- Do not remove or deface labels. Maintain labels and nameplates. These carry important information. If unreadable or missing, contact a MILWAUKEE service facility for a free replacement.

FC Federal Communications Commission

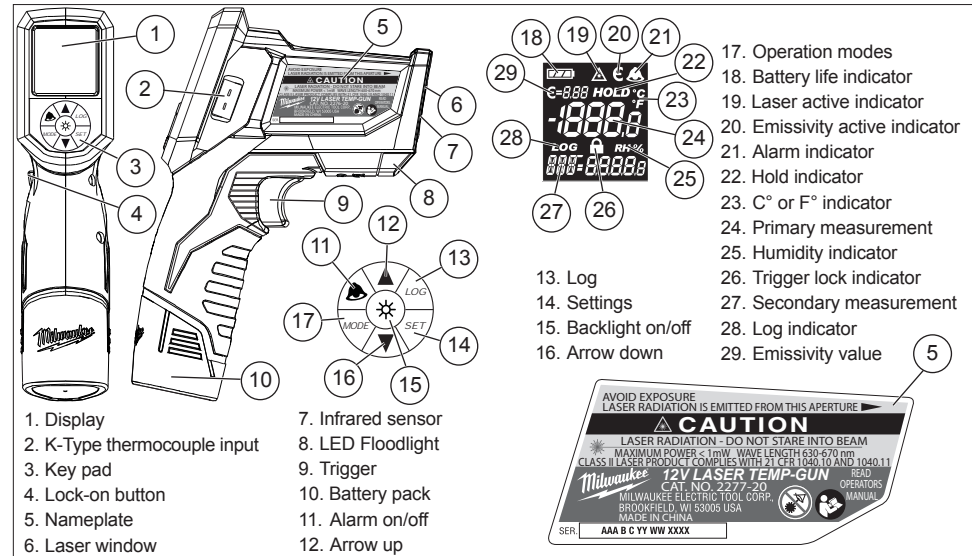
WARNING: Changes or modifications to this unit not expressly approved by the party responsible for compliance could void the user's authority to operate the equipment.

This equipment has been tested and found to comply with the limits for a Class B digital device, pursuant to Part 15 of the FCC Rules. These limits are designed to provide reasonable protection against harmful interference in a residential installation. This equipment generates, uses and can radiate radio frequency energy and, if not installed and used in accordance with the instructions, may cause harmful interference to radio communications.

However, there is no guarantee that interference will not occur in a particular installation. If this equipment does cause harmful interference to radio or television reception, which can be determined by turning the equipment off and on, the user is encouraged to try to correct the interference by one or more of the following measures:

- Reorient or relocate the receiving antenna.
- Increase the separation between the equipment and receiver.
- Connect the equipment into an outlet on a circuit different from that to which the receiver is connected.
- Consult the dealer or an experienced radio/TV technician for help.

FUNCTIONAL DESCRIPTION



Specifications

Laser Type: Class II

Max Power: <1mW

Wavelength: 630-670 nm

IR Temperature range: -30°C to 800°C (-22°F to 1472°F)

IR Accuracy: -30°C to 0°C (-22°F to 32°F): ±1.5°C (3°F) +0.1/1°C or F
0°C to 120°C (32°F to 248°F): ±1.0°C (2°F) +0.1/1°C or F
120°C to 380°C (248°F to 716°F): ±1.5°C (3°F) or 1.5% of reading, whichever is greater
380°C to 800°C (716°F to 1472°F): ±2°C (4°F) or 2% of reading, whichever is greater

Min. measuring distance: 2" < 50°C (122°F), 4" > 50°C (122°F)

Display resolution: 0.1°C/°F Primary and Secondary

Contact temp range: -40°C to 550°C (-40°F to 1022°F)

Contact temp input accuracy: ±1.1°C, ±2°F

Contact temp display resolution: 0.1°C/°F

K-Type Probe temp range: -40°C to 260°C (-40°F to 500°F)

K-Type Probe temp input accuracy: < 400°C ±2.5°C (< 752°F ±5°F)

Emissivity: Pre-set 0.95 (can be manually set)

RH Display (2277-20 only): 10%-90%

RH Accuracy (2277-20 only): ±5%

Response time: <500 msec

Drop: 1.5 meter

Log spaces: 20

Spectral response: 8 to 14 microns thermopile detector

Distance to spot: 40 to 1

Repeatability: ±0.5% OR ±1°C (±2°F) (whichever is greater)

Operating temperature: 0°C to 50°C (32°F to 120°F)

Storage temperature: -20°C to 60°C (-4°F to 140°F) without battery

Relative humidity: 10 to 90% RH non-condensing at <30°C (<86°F) ambient

Voltage: 12 DC

Battery run time: Greater than 12 hrs with all functions

Symbology

	Volts Direct Current
	CAUTION Laser Light - Do Not Stare Into Beam
	Laser product
	Avoid Exposure: Laser Radiation Is Emitted From This Aperture
	To reduce the risk of injury, user must read operator's manual.

ASSEMBLY

WARNING Recharge only with the charger specified for the battery. For specific charging instructions, read the operator's manual supplied with your charger and battery.

Inserting/Removing the Battery

To **remove** the battery, push in the release buttons and pull the battery pack away from the tool.

To **insert** the battery, slide the pack into the body of the tool. Make sure it latches securely into place.

OPERATION

WARNING Always remove battery pack before changing or removing accessories. Only use accessories specifically recommended for this tool. Others may be hazardous.

Scanning Object IR Temperature

1. Pull and hold the trigger for at least 2 seconds and scan the surface temperature of an object. A laser pointer indicates the center of the circular area being scanned.

NOTE: The object should be larger than the spot being scanned. If not, readings will be affected. See Distance To Spot for necessary object size.

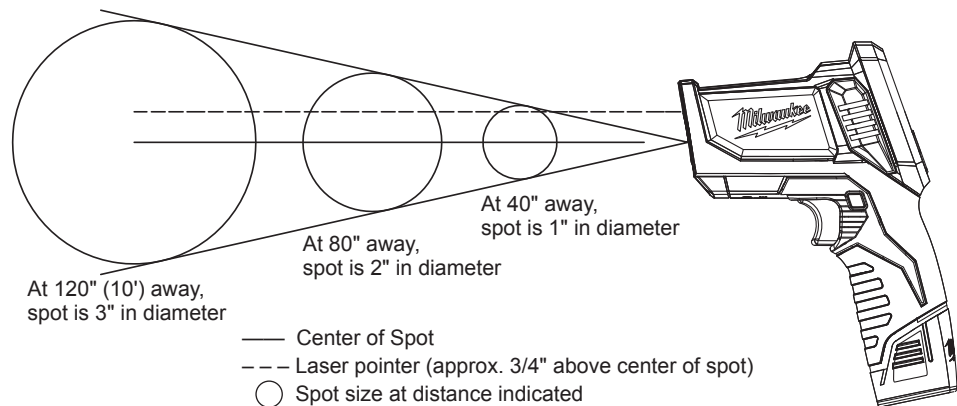
2. As you continue to hold the trigger, the icon is displayed along with the surface temperature (primary measurement) along with any selected mode readings (secondary measurement).

3. Release the trigger. HOLD is displayed until the screen shuts off in about seven seconds.

NOTE: A quick change in temperature affects the unit's readings. Allow unit to reach ambient temperature before use.



Distance to Spot 40:1



Selecting MODES

Press the MODE button to display one of the following:

Average Temperature (AVG)

During a temperature reading, the average temperature read during the scan is displayed.



Maximum Temperature (MAX)

During a temperature reading, the highest temperature read during the scan is displayed.



Minimum Temperature (MIN)

During a temperature reading, the lowest temperature read during the scan is displayed.



Humidity (HUM)-2277-20 only

During a temperature reading, the relative humidity (RH%) read during the scan is displayed. The relative humidity is taken at the meter, not at the point of the temperature reading.



Dew Point Temperature (DEW)

During a temperature reading, the dew point read during the scan is displayed. The dew point is taken at the meter, not at the point of the temperature reading.



WARNING Never connect the Temperature Probe to an energized circuit.

Contact Temperature Measurement with K-Type Probe

Only use K-type Temperature Probes with this meter.


1. Insert the probe. The unit detects a connection of a K-type probe and displays the contact temperature (CON) as the secondary measurement.
2. The display will continue to update the contact temperature (CON) while the temperature probe reaches thermal equilibrium with the object being measured. The display will shut off after about 20 minutes.
3. To take an IR reading while using the K-type probe, pull the trigger. The IR reading is displayed as the primary measurement.
4. If set, the alarm will alert for the contact temperature when the sensor probe is installed.



Selecting SETTINGS


Press the SET button to display one of the following. Then use the arrow buttons to determine the value:

Alarm High (HI)

If the set temperature is reached during a scan, "HI", , and temperature will flash.



Alarm Low (LOW)

If the set temperature is reached during a scan, "LOW", , and temperature will flash.



Log (LOG)

Use the arrow keys to select the data location (1-20). Pull the trigger to scan the temperature. Press the LOG key to save the reading to the selected data location.



Emissivity (E)

Set the emissivity of the surface being scanned (0.95 is the default). During a temperature scan, the set emissivity value is displayed. Refer to an Emissivity Table for proper surface settings.



Laser ON/OFF (▲)

Turns the laser pointer on and off while the IR continues to take readings.



*F / °C (F)

Determine if temperature readings are displayed in Fahrenheit or Celsius.



Alarm ON, OFF, MUTE


Use the Alarm ON/OFF button to turn the alarm on and off, and mute the alarm after it sounds. The bell icon will go off. The temperature reading will continue to flash as long as it is outside the preset range.



Fuel Gauge


The battery icon displays the remaining battery life. Charge the battery according to the battery and charger manual.

ACCESSORIES

 **WARNING** Always remove battery pack before changing or removing accessories. Only use accessories specifically recommended for this tool. Others may be hazardous.

For a complete listing of accessories refer to your MILWAUKEE Electric Tool catalog or go online to www.milwaukeetool.com. To obtain a catalog, contact your local distributor or a service center listed on the back cover of this operator's manual.

MAINTENANCE

 **WARNING** To reduce the risk of injury, always remove the batteries from the tool before performing any maintenance. Never disassemble the tool. Contact a MILWAUKEE service facility for ALL repairs.


Maintaining Tool

Keep your tool in good repair by adopting a regular maintenance program. After six months to one year, depending on use, return the tool to a MILWAUKEE service facility for:

If the tool does not start or operate at full power with fully charged batteries, clean the contacts on the battery door. If the tool still does not work properly, return the tool to a MILWAUKEE service facility for repairs.

Cleaning the Laser Windows

Clean the laser windows with a soft, moist cloth to keep them clean and clear. Remove battery pack before cleaning.

 **WARNING** To reduce the risk of personal injury and damage, never immerse your tool, battery pack or charger in liquid or allow a liquid to flow inside them.

Cleaning

Clean dust and debris from tool vents. Keep tool handles clean, dry and free of oil or grease. Use only mild soap and a damp cloth to clean the tool since certain cleaning agents and solvents are harmful to plastics and other insulated parts. Some of these include gasoline, turpentine, lacquer thinner, paint thinner, chlorinated cleaning solvents, ammonia and household detergents containing ammonia. Never use flammable or combustible solvents around tools.

Repairs

For repairs, return the tool to the nearest service center listed on the back cover of this operator's manual.

FIVE YEAR TOOL LIMITED WARRANTY

MILWAUKEE Test & Measurement Products (including bare tool, li-ion battery pack(s) and battery charger but excluding alkaline batteries) are warranted to the original purchaser only to be free from defects in material and workmanship. Subject to certain exceptions, MILWAUKEE will repair or replace any part on this product which, after examination, is determined by MILWAUKEE to be defective in material or workmanship for a period of five (5) years* after the date of purchase. Return the Test & Measurement tool and a copy of proof of purchase to the nearest Milwaukee Electric Tool Corporation - factory Service Center. This warranty does not apply to damage that MILWAUKEE determines to be from repairs made or attempted by anyone other than MILWAUKEE authorized personnel, misuse, alterations, abuse, normal wear and tear, lack of maintenance, or accidents.

*The warranty period for the LITHIUM-ION battery pack that ships with the Test & Measurement tool is two (2) years from the date of purchase. *Alkaline battery that ships with Test & Measurement tool is separately warranted by the battery manufacturer. *The warranty period for a NON-CONTACT VOLTAGE DETECTOR – 2201 20 is one (1) year from the date of purchase.

Warranty Registration is not necessary to obtain the applicable warranty on MILWAUKEE product. The manufacturing date of the product will be used to determine the warranty period if no proof of purchase is provided at the time warranty service is requested.

ACCEPTANCE OF THE EXCLUSIVE REPAIR AND REPLACEMENT REMEDIES DESCRIBED HEREIN IS A CONDITION OF THE CONTRACT FOR THE PURCHASE OF EVERY MILWAUKEE PRODUCT. IF YOU DO NOT AGREE TO THIS CONDITION, YOU SHOULD NOT PURCHASE THE PRODUCT. IN NO EVENT SHALL MILWAUKEE BE LIABLE FOR ANY INCIDENTAL, SPECIAL, CONSEQUENTIAL OR PUNITIVE DAMAGES, OR FOR ANY COSTS, ATTORNEY FEES, EXPENSES, LOSSES OR DELAYS ALLEGED TO BE AS A CONSEQUENCE OF ANY DAMAGE TO, FAILURE OF, OR DEFECT IN ANY PRODUCT INCLUDING, BUT NOT LIMITED TO, ANY CLAIMS FOR LOSS OF PROFITS. THIS WARRANTY IS EXCLUSIVE AND IN LIEU OF ALL OTHER WARRANTIES OR CONDITIONS, WRITTEN OR ORAL, EXPRESSED OR IMPLIED. WITHOUT LIMITING THE GENERALITY OF THE FOREGOING, MILWAUKEE DISCLAIMS ANY IMPLIED WARRANTY OF MERCHANTABILITY OR FITNESS FOR A PARTICULAR USE OR PURPOSE, AND ALL OTHER WARRANTIES.

This warranty applies to product sold in the U.S.A., Canada and Mexico only.

RÈGLES IMPORTANTES DE SÉCURITÉ

⚠️ AVERTISSEMENT LIRE TOUTES LES RÈGLES ET INSTRUCTIONS DE SÉCURITÉ.

Ne pas suivre l'ensemble des règles et instructions peut entraîner une électrocution, un incendie ou des blessures graves.

Conserver ces instructions – Ce manuel contient des instructions importantes de sécurité et de fonctionnement pour le thermomètre laser Temp-Gun™ MILWAUKEE. Avant d'utiliser le thermomètre Temp-Gun™, lire le présent manuel d'utilisation, le manuel d'utilisation du bloc-piles et du chargeur, ainsi que toutes les étiquettes se trouvant sur le bloc-piles, le chargeur et le thermomètre Temp-Gun™.

SÉCURITÉ RELATIVES AU LASER

- **Lampe laser - Ne pas fixer directement le faisceau ou l'examiner directement au moyen d'instruments d'optique. Ne pas diriger la lampe laser vers les autres personnes.** La lampe laser peut provoquer des lésions oculaires.
- **Éviter de s'exposer au rayonnement laser.** Cela peut s'avérer dangereux.
- **Ne pas diriger le laser vers des surfaces réfléchissantes.** Cela peut entraîner des conséquences imprévisibles.

SÉCURITÉ DU LIEU DE TRAVAIL

- **Tenir les enfants et les curieux à l'écart au moment d'utiliser le thermomètre Temp-Gun™.** S'il n'est pas utilisé, ranger le thermomètre Temp-Gun™ hors de portée des enfants et interdire à quiconque de l'utiliser si la personne ne connaît pas bien le produit ou ces instructions.
- **Éviter les environnements dangereux.** Ne pas exposer l'unité à la pluie ou à la neige et ne pas l'utiliser dans un endroit humide ou mouillé. Ne pas utiliser l'unité dans un endroit propice aux explosions (fumées gazeuses, poussières ou matériaux inflammables); l'insertion ou le retrait du bloc-piles pouvant créer des étincelles, un incendie pourrait alors éclater.

SÉCURITÉ INDIVIDUELLE

- **Rester vigilant, se concentrer sur son travail et faire preuve de bon sens au moment d'utiliser le thermomètre Temp-Gun™.** Ne pas utiliser cet appareil en cas de fatigue ou sous l'influence de l'alcool, de drogues ou de médicaments. Un moment d'inattention pendant l'utilisation de ce produit peut résulter en une blessure grave.
- **Ne pas travailler hors de portée. Se tenir bien campé et en équilibre en tout temps.** Cela permet un meilleur contrôle en cas d'imprévu.

UTILISATION ET ENTRETIEN DE LA BATTERIE

- **Ne recharger le bloc-piles qu'avec le chargeur spécifié par le fabricant.** Un chargeur

qui convient à un type de bloc-piles peut créer un risque d'incendie s'il est utilisé avec un autre type de bloc-piles.

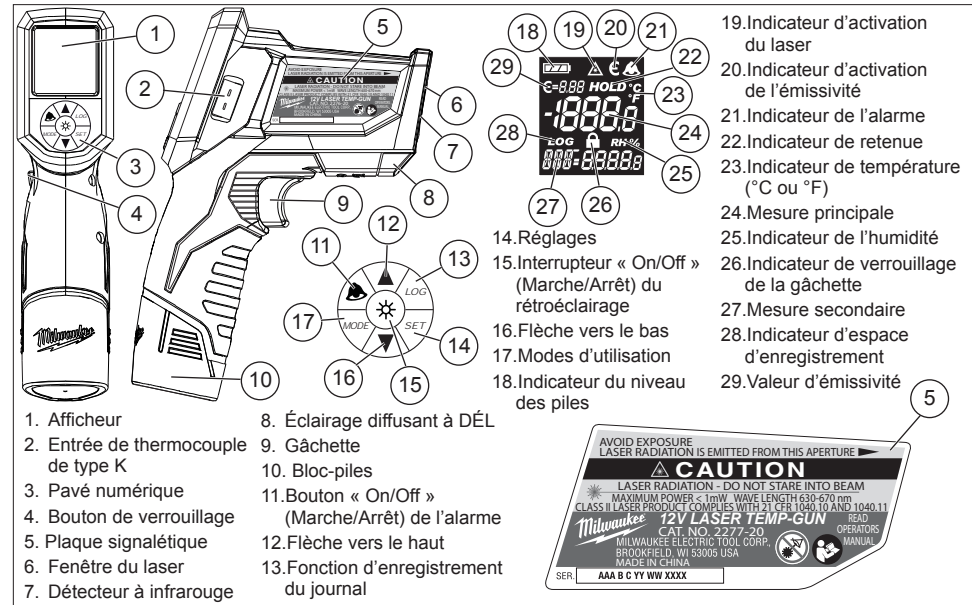
- **N'utiliser les outils électriques qu'avec les bloc-piles recommandés.** L'utilisation de tout autre bloc-piles peut créer un risque de blessures et d'incendie.
- **Lorsque le bloc-piles n'est pas utilisé, le tenir éloigné des objets en métal tels que les trombones, les pièces de monnaie, les clés, les clous, les vis ou d'autres petits objets métalliques qui pourraient connecter les bornes.** Le court-circuitage des bornes du bloc-piles peut entraîner des brûlures ou un incendie.
- **Éviter tout contact avec le liquide pouvant être éjecté de la pile en cas de manutention abusive. En cas de contact accidentel, rincer abondamment avec de l'eau. Si le liquide entre en contact avec les yeux, consulter un médecin.** L'électrolyte qui s'échappe de la pile peut

ENTRETIEN

causer des démangeaisons ou des brûlures.

- **Confier la réparation du thermomètre Temp-Gun™ à un réparateur qualifié qui utilise des pièces de rechange identiques aux pièces d'origine,** ce qui préservera la sûreté de l'outil.
- **Ne pas désassembler le produit.** Un remontage inapproprié peut résulter en un risque de décharge électrique ou d'incendie. En cas de dommage, confier le produit à un centre de service MILWAUKEE.
- **Entreposer le produit dans un endroit frais et sec.** Ne pas l'entreposer dans des endroits où la température peut dépasser 50 °C (120 °F) par exemple, un endroit exposé directement à la lumière du soleil, un véhicule ou une construction en métal pendant l'été.
- **Ne pas retirer ou endommager les étiquettes. Maintenir en état les étiquettes et les plaques signalétiques.** Des informations importantes y figurent. Si elles sont illisibles ou manquantes, contacter un centre de services et d'entretien MILWAUKEE pour un remplacement gratuit.

DESCRIPTION FONCTIONNELLE



Spécifications

Type de laser : Classe II

Puissance maximale : < 1 mW

Longueur d'onde : 630 à 670 nm

Plage de température de l'infrarouge : -30 °C à 800 °C (-22 °F à 1 472 °F);

Précision de l'infrarouge : -30 °C à 0°C (-22 °F à 32 °F) : ± 1,5 °C (3 °F) +0,1/1 °C ou °F; 0 °C à 120 °C (32 °F à 248 °F) : ± 1 °C (2 °F) + 0,1/1 °C ou °F; 120 °C à 380 °C (248 °F à 716 °F) : ± 1,5 °C (3 °F) ou 1,5 % de la lecture, selon la plus grande des deux valeurs; 380 °C à 800 °C (716 °F à 1 472 °F) : ± 2 °C (4 °F) ou 2 % de la lecture, selon la plus grande des deux valeurs;

Distance minimale de la mesure : 51 mm (2") < 50 °C (122 °F), 102 mm (4") > 50 °C (122 °F);

Résolution de l'afficheur : 0,1 °C/°F primaire et secondaire;

Plage de température de contact : -40 °C à 550 °C (-40 °F à 1 022 °F);

Précision des données relatives à la température de contact : ± 1,1 °C, ± 2 °F

Résolution de l'affichage de la température de contact : 0,1 °C/°F

Plage de température de la sonde de type K : -40 °C à 260 °C (-40 °F à 500 °F)

Précision des données relatives à la température de la sonde de type K : < 400 °C ± 2,5 °C; (< 752 °F ± 5 °F)

Émissivité : Pré-réglée à 0,95 (peut être réglée manuellement)

Affichage de l'humidité relative (2277-20 seulement) : 10 % à 90 %

Précision de l'humidité relative (2277-20 seulement) : ± 5 %

Temps de réponse : < 500 µs

Chute : 1,5 mètre

Espaces d'enregistrement des données : 20

Réponse spectrale : Capteur à thermopile de 8 à 14 µm

Résolution optique : 40:1

Répétabilité : ± 0,5 % OU ± 1 °C (± 2 °F) (selon la plus grande des deux valeurs)

Température d'utilisation : 0 °C à 50 °C (32 °F à 120 °F)

Température d'entreposage : -20 °C à 60 °C (-4 °F à 140 °F) Sans pile

Humidité relative : Humidité relative sans condensation de 10 à 90 % à une température ambiante < 30°C (< 86°F)

Tension : 12 V c.c.

Autonomie des piles : Supérieure à 12 heures pour toutes les fonctions

Pictographie

	Volts courant continu
	ATTENTION Lampe laser – Ne pas fixer le faisceau.
	Produit laser
	Éviter l'exposition : Le rayonnement laser est émis de cette ouverture
	Afin de réduire le risque de blessures, l'utilisateur doit lire le manuel de l'utilisateur.

MONTAGE DE L'OUTIL

AVERTISSEMENT Ne recharger la batterie qu'avec le chargeur spécifié. Pour les instructions de charge spécifiques, lire le manuel d'utilisation fourni avec le chargeur et les batteries.

Insertion/ Retrait de la batterie

Pousser les boutons d'ouverture vers l'intérieur et retirer la batterie de l'outil.

Pour insérer la batterie dans l'outil, la glisser sur le corps de l'outil. S'assurer qu'elle se loge fermement en place.

MANIEMENT

AVERTISSEMENT Il faut toujours retirer la batterie avant de changer ou d'enlever les accessoires. L'emploi d'accessoires autres que ceux qui sont expressément recommandés pour cet outil peut comporter des risques.

Balayage de la température de l'objet (infrarouge)

1. Tirer sur la gâchette et la tenir en place pendant au moins deux secondes et saisir la température de surface de l'objet. Un pointeur laser indique le centre de la zone circulaire balayée.

NOTE : L'objet doit être plus grand que la zone balayée. Si tel n'est pas le cas, les lectures peuvent être affectées. Consulter la section « Résolution optique » pour connaître les dimensions requises de l'objet.

FC Federal Communications Commission

AVERTISSEMENT: Les changements ou les modifications apportés à cette unité non expressément approuvés par l'organisme responsable de la conformité peuvent annuler l'autorité de l'utilisateur à utiliser cet équipement.

Cet équipement a été testé et déclaré conforme aux limites des dispositifs numériques de classe B, en vertu de la section 15 des réglementations de la FCC. Ces limites ont pour but de fournir une protection raisonnable contre les interférences nuisibles dans le cadre d'une installation résidentielle. Cet équipement génère, utilise et peut émettre de l'énergie de radiofréquence. Il est donc recommandé de l'installer et de l'utiliser conformément aux instructions afin d'éviter toute interférence nuisible aux communications radio.

Cependant, il n'existe aucune garantie selon laquelle des interférences ne se produiront pas dans le cas d'une installation spécifique. Si cet appareil provoque des interférences nuisibles pour les réceptions radio et télévisées, ce qui peut être déterminé en l'éteignant puis en le rallumant, il est conseillé d'y remédier en suivant l'une ou plusieurs des mesures suivantes:

- Réorienter ou repositionner l'antenne réceptrice.
- Augmenter l'espace entre l'équipement et le récepteur.
- Brancher l'équipement dans une prise sur un circuit différent de celui sur lequel le récepteur est connecté.
- Consulter le concessionnaire ou un technicien radio/TV expérimenté pour obtenir de l'aide.

2. Si l'utilisateur continue de tenir la gâchette, un icône s'affiche avec la température de surface (mesure principale) et les lectures associées au mode sélectionné (mesure secondaire).

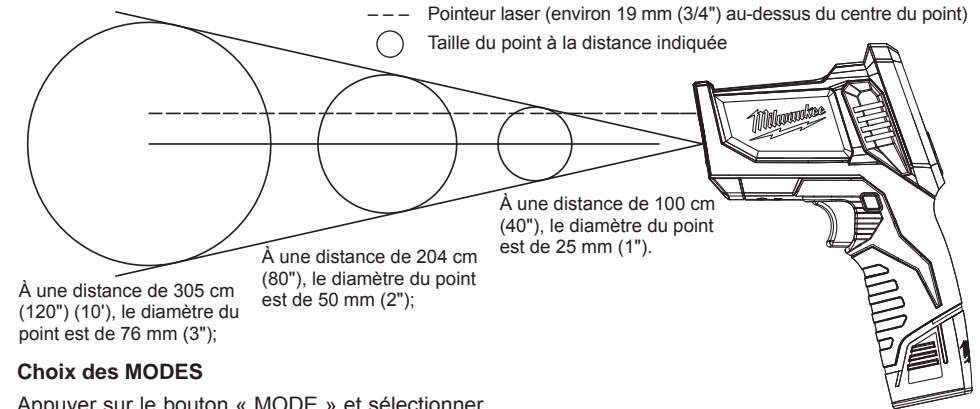


3. Relâcher ensuite la gâchette. L'indication « HOLD » (Retenue) s'affiche jusqu'à ce que l'écran s'éteigne (cela nécessite environ sept secondes).



NOTE : Un changement rapide de la température affecte les lectures de l'unité. Permettre à l'unité d'atteindre la température ambiante avant de l'utiliser.

Résolution optique : 40:1



Choix des MODES

Appuyer sur le bouton « MODE » et sélectionner l'une des fonctions suivantes (la valeur associée mesurée s'affichera) :

Température moyenne (AVG)

Température moyenne pendant le balayage.



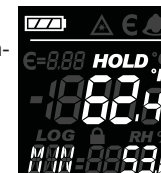
Température maximale (MAX)

Température la plus élevée pendant le balayage.



Température minimale (MIN)

Température la plus faible pendant le balayage.



Humidité (HUM) 2277-20 seulement

Humidité relative (%) pendant le balayage. L'humidité relative est calculée à l'aide du multimètre et non à partir de la température mesurée.



Point de rosée (Td) (DEW)

Point de rosée pendant le balayage. Le point de rosée est calculé à l'aide du multimètre et non à partir de la température mesurée.



AVERTISSEMENT Ne jamais raccorder la sonde thermique à un circuit sous tension.

Mesure de la température de contact à l'aide de la sonde de type K

Utiliser uniquement des sondes thermiques de type K avec ce multimètre.


1. Insérer la sonde. L'unité détecte le raccord d'une sonde de type K et affiche la température de contact (CON) comme mesure secondaire.
2. L'afficheur continue de mettre à jour la température de contact (CON) alors que la sonde thermique atteint l'équilibre thermique avec fois l'objet mesuré. L'afficheur s'éteint après environ vingt minutes.
3. Pour prendre une lecture à infrarouge tout en utilisant une sonde de type K, tirer sur la gâchette. La lecture à infrarouge s'affiche comme mesure principale.
4. Si elle est installée, l'alarme prévient l'utilisateur qu'il peut prendre la température de contact une fois la sonde du détecteur installée.



Choix des RÉGLAGES


Appuyer sur le bouton SET (Réglage) pour afficher une des fonctions suivantes. Déterminer ensuite les valeurs à l'aide des flèches :

Niveau d'alarme élevé (HI)

Si la température programmée est atteinte pendant un balayage, l'indication « HI », , et la valeur de température clignotent.



Niveau d'alarme faible (LOW)

Si la température programmée est atteinte pendant un balayage, l'indication « LOW », , et la valeur de température clignotent.



Enregistrement des données (LOG)

Utiliser les flèches pour choisir l'emplacement d'enregistrement des données (1-20). Tirer sur la gâchette pour saisir la température. Appuyer sur la touche « LOG » pour enregistrer la lecture dans l'emplacement de données sélectionné.



Émissivité (E)

Ajuster l'émissivité de la surface balayée (0,95 étant la valeur par défaut). Au moment de saisir la température, la valeur de l'émissivité s'affiche. Consulter le tableau « Émissivité » afin de prendre connaissance des réglages appropriés applicables à la surface.



Bouton « ON/OFF » (Marche/Arrêt)

Le fait d'appuyer sur le bouton permet d'allumer et d'éteindre le pointeur laser alors que la sonde à infrarouges continue de prendre les lectures.



Température (°F/°C)

Permet de préciser si les valeurs de température seront affichées en Fahrenheit ou en Celsius.



Bouton « ON/OFF » (Marche/Arrêt) de l'alarme, fonction de sourdine


Utiliser le bouton « ON/OFF » (Marche/Arrêt) de l'alarme pour activer et désactiver l'alarme, ainsi que pour mettre l'alarme en sourdine après qu'elle ait retenti. L'icône de la cloche disparaîtra. La valeur de température continue de clignoter tant qu'elle s'inscrit hors de la plage sélectionnée au préalable.



Indicateur de charge des piles


L'icône de la pile affiche l'autonomie restante de la pile. Charger la pile tel que décrit dans le manuel des piles et du chargeur.

ACCESOIRES

 **AVERTISSEMENT** Retirez toujours la batterie avant de changer ou d'enlever les accessoires. L'utilisation d'autres accessoires que ceux qui sont spécifiquement recommandés pour cet outil peut comporter des risques.

Pour une liste complète des accessoires, prière de se reporter au catalogue MILWAUKEE Electric Tool ou visiter le site internet www.milwaukeeetool.com. Pour obtenir un catalogue, il suffit de contacter votre distributeur local ou l'un des centres-service énumérés sur la page de couverture de ce manuel.

ENTRETIEN

 **AVERTISSEMENT** Pour réduire le risque de blessures, toujours retirer les piles de l'outil avant d'en assurer l'entretien. Ne jamais démonter l'outil. Pour toute réparation, communiquer avec un centre de service MILWAUKEE.


Entretien de l'outil

Garder l'outil en bon état en le soumettant à un programme d'entretien régulier. Après six mois, selon l'utilisation, confier l'outil à un centre de service MILWAUKEE.

Si l'outil ne démarre pas ou ne fonctionne pas à plein régime une fois les piles complètement chargées, nettoyer les contacts du compartiment des piles. Si l'outil ne fonctionne toujours pas correctement, le confier à un centre de service MILWAUKEE afin de le faire réparer.

Nettoyage des fenêtres du laser

Nettoyer les fenêtres du laser à l'aide d'un linge doux et humide afin de s'assurer qu'elles demeurent propres et claires. Retirer la batterie avant de procéder au nettoyage.

 **AVERTISSEMENT** Pour minimiser les risques de blessures ou de dommages à l'outil, n'immergez jamais l'outil, la batterie ou le chargeur et ne laissez pas de liquide s'y infiltrer.

Nettoyage

Nettoyer les événements de l'outil des débris et de la poussière. Garder les poignées de l'outil propres, sèches et exemptes d'huile ou de graisse. Utiliser uniquement un savon doux et un linge humide, puisque certains agents de nettoyage et certains solvants peuvent détériorer le plastique et les autres pièces isolées. En voici des exemples : l'essence, la térébenthine, les diluants à laque ou à peinture, les solvants chlorés, l'ammoniaque et les détergents à usage domestique qui en contiennent. Ne jamais utiliser de solvants inflammables ou combustibles autour des outils.

Réparations

Pour toute réparation, confier l'outil au centre de service le plus près indiqué au dos du présent manuel d'utilisation.

GARANTIE LIMITÉE DE L'OUTIL DE CINQ ANS

Les produits d'essai et de mesure MILWAUKEE (y compris l'outil, les blocs-piles au lithium-ion et le chargeur, mais non les piles alcalines) sont garantis à l'acheteur d'origine être exempt de vice du matériau et de fabrication. Sous réserve de certaines exceptions, MILWAUKEE réparera ou remplacera toute pièce de ce produit qui, après examen par MILWAUKEE, s'avère être affecté d'un vice du matériau ou de fabrication, pendant une période de cinq (5) ans* après la date d'achat. Retourner l'outil d'essai et de mesure, accompagné d'une copie de la preuve d'achat, au centre de réparations en usine MILWAUKEE (société d'outils électriques) le plus près. Cette garantie ne couvre pas les dommages que MILWAUKEE détermine être causés par des réparations ou des tentatives de réparation par quiconque autre que le personnel agréé par MILWAUKEE, des utilisations incorrectes, des altérations, des utilisations abusives, une usure normale, une carence d'entretien ou les accidents.

*La période de la garantie du bloc-piles au lithium-ion qui est fourni avec l'outil d'essai et de mesure est de deux (2) ans à compter de la date d'achat. *La pile alcaline qui est fournie avec l'outil d'essai et de mesure bénéficie d'une garantie distincte accordée par le fabricant de la pile. *La période de la garantie d'un DÉTECTEUR DE TENSION SANS CONTACT – 2201-20 est d'un (1) an à partir de la date d'achat.

L'enregistrement de la garantie n'est pas nécessaire pour bénéficier de la garantie en vigueur sur un produit MILWAUKEE. La date de fabrication du produit servira à établir la période de garantie si aucune preuve d'achat n'est fournie lorsqu'une demande de service sous garantie est faite.

L'ACCEPTATION DES RECOURS EXCLUSIFS DE RÉPARATION ET DE REMPLACEMENT DÉCRITS AUX PRÉSENTES EST UNE CONDITION DU CONTRAT D'ACHAT DE TOUT PRODUIT MILWAUKEE. SI VOUS N'ACCEPTÉZ PAS CETTE CONDITION, VOUS NE DEVEZ PAS ACHETER LE PRODUIT. EN AUCUN CAS MILWAUKEE NE SAURAIT ÊTRE RESPONSABLE DE TOUT DOMMAGE ACCESSOIRE, SPÉCIAL OU INDIRECT, DE DOMMAGES-INTÉRÊTS PUNITIFS OU DE TOUTE DÉPENSE, D'HONORAIRES D'AVOCATS, DE FRAIS, DE PERTE OU DE DÉLAIS ACCESSOIRES À TOUT DOMMAGE, DÉFAILLANCE OU DÉFAUT DE TOUT PRODUIT, Y COMPRIS NOTAMMENT LES PERTES DE PROFIT. CETTE GARANTIE EST EXCLUSIVE ET REMPLACE TOUTE AUTRE GARANTIE OU CONDITION, ÉCRITE OU VERBALE, EXPRESSE OU IMPLICITE. SANS LIMITER LA GÉNÉRALITÉ DES DISPOSITIONS PRÉCÉDENTES, MILWAUKEE DÉCLINE TOUTE GARANTIE IMPLICITE DE QUALITÉ MARCHANDE OU D'ADAPTATION À UNE UTILISATION OU À UNE FIN PARTICULIÈRE ET TOUTE AUTRE GARANTIE.

Cette garantie s'applique aux produits vendus aux États-Unis, au Canada et au Mexique uniquement.

INSTRUCCIONES IMPORTANTES DE SEGURIDAD

ADVERTENCIA
LEA TODAS LAS ADVERTENCIAS E INSTRUCCIONES DE SEGURIDAD.
 La inobservancia de las advertencias e instrucciones puede causar una descarga eléctrica, un incendio y/o lesiones graves.
 Guarde estas instrucciones: Este manual del operador contiene instrucciones importantes de seguridad y funcionamiento para Termómetros láser Temp-Gun™ MILWAUKEE. Antes de usar el Temp-Gun™, lea este manual del operador, su manual del operador del paquete de baterías y del cargador, y todas las etiquetas del paquete de baterías, del cargador y del Temp-Gun™.

SEGURIDAD LÁSER

- **Luz láser:** No mire fijamente el haz de rayos láser ni lo mire directamente con instrumentos ópticos. No apunte la luz láser en dirección a otras personas. La luz láser puede provocar daños a los ojos.
- **Evite la exposición a la radiación láser.** El láser puede emitir radiación peligrosa.
- **No apunte el láser a superficies reflectantes.** Pueden producirse resultados impredecibles.

SEGURIDAD EN EL ÁREA DE TRABAJO

- **Mantenga alejados a niños y personas presentes mientras utiliza el Temp-Gun™.** Cuando no esté en uso, guarde el Temp-Gun™ fuera del alcance de los niños y no permita que las personas que no están familiarizadas con la herramienta o con estas instrucciones la operen.
- **Evite los entornos peligrosos.** No use este producto bajo la lluvia, la nieve ni en lugares húmedos o mojados. No lo use en atmósferas explosivas (emanaciones de gas, polvo o materiales inflamables), ya que al introducir o quitar la batería se pueden generar chispas, lo que posiblemente producirá un incendio.

SEGURIDAD PERSONAL

- **Permanezca alerta, preste atención a lo que esté haciendo y use el sentido común al utilizar el Temp-Gun™.** No use este producto si está cansado o se encuentra bajo los efectos de las drogas, el alcohol o algún medicamento. Un momento de descuido puede causar lesiones personales graves.
- **No estire el cuerpo para alcanzar mayor distancia.** Mantenga los pies bien asentados y conserve el equilibrio en todo momento. Esto permite tener un mejor control en situaciones inesperadas.

USO Y CUIDADO DE LAS HERRAMIENTAS CON BATERÍA

- **Recargue la batería solamente con el cargador especificado por el fabricante.** Un car-

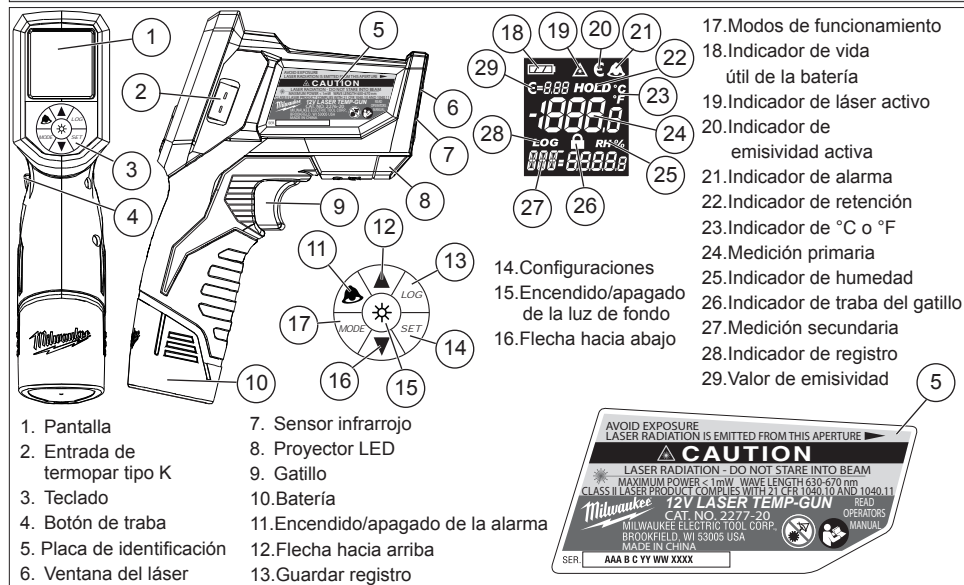
gador apropiado para un tipo de batería puede crear riesgo de incendio cuando se usa con otra batería.

- **Use las herramientas eléctricas solamente con baterías específicamente diseñadas.** El uso de cualquier otro tipo de batería puede crear riesgo de lesiones e incendio.
- **Cuando no se use la batería manténgala alejada de otros objetos de metal como clips para papel, monedas, llaves, clavos, tornillos u otros objetos de metal pequeños que puedan realizar una conexión entre los terminales.** Realizar un cortocircuito en los terminales de la batería puede provocar quemaduras o un incendio
- **En condiciones abusivas, puede salir líquido expulsado de la batería; evite el contacto. Si se produce un contacto accidental, lávese con agua. Si el líquido entra en contacto con los ojos, además busque atención médica.** El líquido que sale expulsado de la batería puede provocar irritaciones o quemaduras.

MANTENIMIENTO

- **Haga que un técnico calificado realice el mantenimiento de su Temp-Gun™ utilizando solamente piezas de repuesto idénticas.** Esto asegurará que se mantenga la seguridad de la herramienta.
- **No desarme el producto.** Si se vuelve a armar de manera incorrecta, puede causar un riesgo de descarga eléctrica o de incendio. Si el producto está dañado, llévelo a una instalación de servicio MILWAUKEE.
- **Almacene el producto en un lugar limpio y seco.** No lo guarde en lugares donde la temperatura supere los 50 °C (120 °F), como por ejemplo bajo la luz solar directa, en un vehículo o en un edificio metálico durante el verano.
- **No retire ni deteriore las etiquetas.** Mantenga las etiquetas y las placas de identificación. Estas contienen información importante. Si es ilegible o faltante, comuníquese con una instalación de servicio MILWAUKEE para solicitar un reemplazo gratuito.

DESCRIPCIÓN FUNCIONAL



Especificaciones

Tipo de láser: Clase II

Potencia máx.: <1 mW

Longitud de onda: 630-670 nm

Rango de temperatura IR: entre -30 °C y 800 °C (-22 °F y 1 472 °F)

Precisión IR: entre -30 °C y 0 °C (entre -22 °F y 32 °F): ±1,5 °C (3 °F) +0,1/1 °C o °F

entre 0 °C y 120 °C (entre 32 °F y 248 °F): ±1 °C (2 °F) +0,1/1 °C o °F

entre 120 °C y 380 °C (entre 248 °F y 716 °F): ±1,5 °C (3 °F) o 1,5% de la lectura, la que sea mayor

entre 380 °C y 800 °C (entre 716 °F y 1 472 °F): ±2 °C (4 °F) o 2% de la lectura, la que sea mayor

Distancia de medición mín.: 51 mm (2") < 50 °C (122 °F), 102 mm (4") > 50 °C (122 °F)

Resolución de pantalla: 0,1 °C/°F primaria y secundaria

Rango de temperatura de contacto: entre -40 °C y 550 °C (entre -40 °F y 1 022 °F)

Precisión de entrada de temperatura de contacto: ±1,1 °C, ±2 °F

Resolución de pantalla de temperatura de contacto: 0,1 °C/°F

Rango de temperatura de sondas tipo K: entre -40 °C y 260 °C (entre -40 °F y 500 °F)

Precisión de entrada de temperatura de sondas tipo K: < 400 °C ±2,5 °C (< 752 °F ±5 °F)

Emisividad: Preconfigurada en 0,95 (puede configurarse manualmente)

Pantalla de HR (2277-20 únicamente): 10%-90%

Precisión de HR (2277-20 únicamente): ±5%

Tiempo de respuesta: <500 ms

Caída: 1,5 metros

Espacios de registro: 20

Respuesta espectral: detector de termopila de entre 8 y 14 micrones

Distancia al objetivo: 40 a 1

Repetibilidad: ±0,5% O ±1 °C (±2 °F) (la que sea mayor)

Temperatura de funcionamiento: entre 0 °C y 50 °C (entre 32 °F y 120 °F)

Temperatura de almacenamiento: entre -20 °C y 60 °C (entre -4 °F y 140 °F) sin batería

Humedad relativa: entre 10 y 90% HR sin condensación a <30 °C (<86 °F) ambiente

Voltaje: 12 corr. cont.

Tiempo de funcionamiento de batería: Más de 12 h con todas las funciones

ADVERTENCIA: Los cambios o modificaciones hechos a esta unidad sin la autorización expresa del responsable del cumplimiento de la norma podrían anular la autoridad del usuario para manejar el equipo.

Se ha verificado y determinado que este equipo cumple con los límites correspondientes a los dispositivos digitales de Clase B, de acuerdo con la Parte 15 de las Normas de la FCC. Estos límites se han diseñado para garantizar una protección razonable contra interferencias perjudiciales en instalaciones residenciales. Este equipo genera, utiliza y puede radiar energía de radiofrecuencia y, si no se instala y utiliza en conformidad con las instrucciones, puede generar interferencia perjudicial para la radiocomunicación.

No obstante, no se garantiza que no se produzca interferencia en una instalación concreta. Si este equipo, en efecto, genera interferencia perjudicial para la recepción de radio o televisión, que se puede determinar apagando y encendiendo el equipo, se insta al usuario a intentar corregir la interferencia tomando una o varias de las siguientes medidas:

- Reorientar o reubicar la antena receptora.
- Aumentar la distancia que separa al equipo del receptor.
- Conectar el equipo a un tomacorriente de otro circuito distinto a aquel que tiene conectado el receptor.
- Solicitar ayuda al distribuidor o a un técnico de radio y televisión experto.

Simbología	
	Volts de corriente alterna
	PRECAUCIÓN Láser: No mire fijamente el rayo láser.
	Producto láser
	Evite la exposición. La radiación láser se emite a través de esta abertura
	Para reducir el riesgo de lesiones, el usuario debe leer y entender el manual del operador.

ENSAMBLAJE

ADVERTENCIA Recargue la batería sólo con el cargador especificado para ella. Para instrucciones específicas sobre cómo cargar, lea el manual del operador suministrado con su cargador y la batería.

Inserción/Extracción de la batería de la herramienta

Presione los botones de liberación y jale de la batería para sacarla de la herramienta. Para insertar la batería en la herramienta, deslícela sobre el cuerpo de la herramienta. Asegúrese de que se asegure bien en su posición.

OPERACION

ADVERTENCIA Para reducir el riesgo de lesiones, siempre quite la batería antes de cambiar o quitar accesorios. Use solamente accesorios específicamente recomendados para esta herramienta. El uso de otros puede resultar peligroso.

Escaneado de la temperatura IR de un objeto

1. Tire del gatillo y no lo suelte durante, al menos, 2 segundos y escanee la temperatura de superficie de un objeto. Un puntero láser indica el centro del área circular que se está escaneando.

NOTA: El objeto debe ser más grande que el objetivo que se está escaneando. De lo contrario, las lecturas pueden verse afectadas. Consulte la sección Distancia al objetivo para conocer el tamaño necesario del objeto.

2. Mientras tiene el gatillo apretado, se muestra el icono junto con la temperatura de superficie (temperatura primaria) y con las lecturas de cualquiera de los modos seleccionados (medición secundaria).

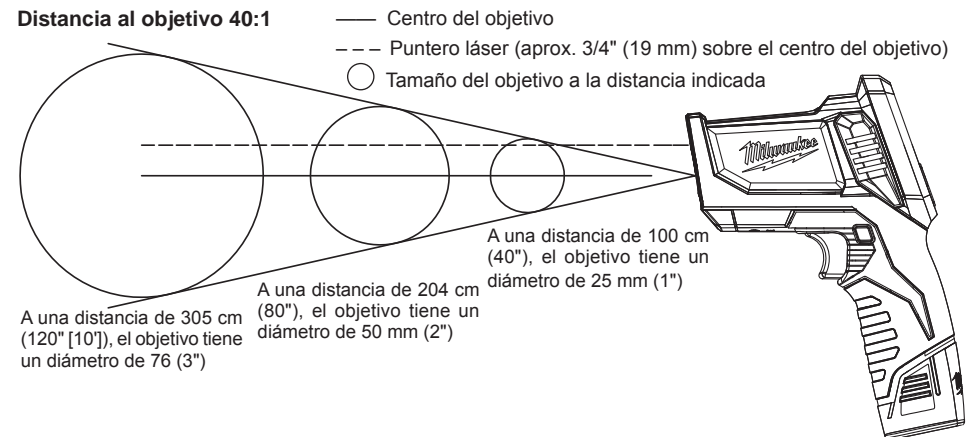


3. Suelte el gatillo. Se muestra HOLD (retención) hasta que la pantalla se apaga en, aproximadamente, siete segundos.



NOTA: Un cambio rápido en la temperatura afecta las lecturas de la unidad. Deje que la unidad alcance la temperatura ambiente antes de usarla.

Distancia al objetivo 40:1



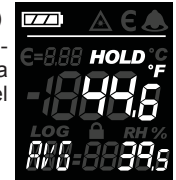
OPERACION

Selección de MODOS

Presione el botón MODE (modo) para mostrar uno de los modos que aparecen a continuación:

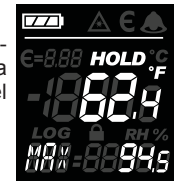
Temperatura promedio (AVG)

Durante una lectura de temperatura, se muestra la temperatura promedio registrada durante el escaneado.



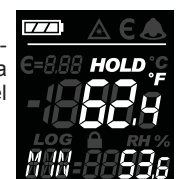
Temperatura máxima (MAX)

Durante una lectura de temperatura, se muestra la temperatura más alta registrada durante el escaneado.



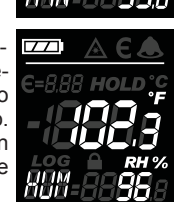
Temperatura mínima (MIN)

Durante una lectura de temperatura, se muestra la temperatura más baja registrada durante el escaneado.



Humedad (HUM) (2277-20)

Durante una lectura de temperatura, se muestra la humedad relativa (RH%) promedio registrada durante el escaneado. La humedad relativa se toma en el medidor, no en el punto de lectura de temperatura.



Temperatura del punto de rocío (DEW)

Durante una lectura de temperatura, se muestra la temperatura de rocío registrada durante el escaneado. El punto de rocío se toma en el medidor, no en el punto de lectura de temperatura.



ADVERTENCIA Nunca conecte la sonda de temperatura a un circuito energizado.

Medición de temperatura de contacto con una sonda tipo K

Use solamente sondas de temperatura tipo K con este medidor.


1. Introduzca la sonda. La unidad detecta la conexión de una sonda tipo K y muestra la temperatura de contacto (CON) como la medición secundaria.
2. La pantalla seguirá actualizando la temperatura de contacto (CON) mientras que la sonda de temperatura alcanza el equilibrio térmico con el objeto que se está midiendo. La pantalla se apagará después de 20 minutos.
3. Para tomar una lectura IR mientras está usando la sonda tipo K, tire del gatillo. La lectura IR se muestra como la medición primaria.
4. Si la alarma está configurada, emitirá una alerta en la temperatura de contacto cuando se instale la sonda del sensor.



Selección de CONFIGURACIONES


Presione el botón SET (configurar) para mostrar una de las configuraciones que aparecen a continuación. Luego, use los botones de flechas para determinar el valor:

Alarma alta (HI)

Si se alcanza la temperatura configurada durante el escaneado, "HI", , y la temperatura parpadearán.



Alarma baja (LOW)

Si se alcanza la temperatura configurada durante el escaneado, "LOW", , y la temperatura parpadearán.



Registro (LOG)

Use las teclas de flechas para seleccionar la ubicación de los datos (1-20). Tire del gatillo para escanear la temperatura. Presione la tecla LOG (registro) para guardar la lectura en la ubicación de datos seleccionada.



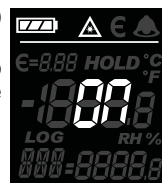
Emisividad (E)

Configure la emisividad de la superficie que se está escaneando (0,95 es el valor predeterminado). Durante el escaneado de la temperatura, se muestra el valor de emisividad configurado. Consulte una tabla de emisividad para obtener las configuraciones de superficie correctas.



Encendido/apagado (ON/OFF) del láser

Enciende y apaga el puntero láser mientras que la luz IR sigue tomando las lecturas.



°F / °C (F)

Determina si las lecturas de temperatura se muestran en Fahrenheit o Celsius.



Encendido/apagado/silenciado (ON, OFF, MUTE) de la alarma

Use el botón ON/OFF (encendido/apagado) para encender y apagar la alarma, y para silenciarla una vez que haya sonado. El ícono de la campana se apagará. La lectura de temperatura seguirá parpadearando mientras se encuentre fuera del rango preconfigurado.



Indicador de carga

El ícono de la batería muestra la vida útil restante de la batería. Cargue la batería según el manual de la batería y del cargador.

MANTENIMIENTO

ADVERTENCIA Para reducir el riesgo de lesiones, siempre retire las baterías de la herramienta antes de realizar mantenimiento. Nunca desarme la herramienta. Comuníquese con una instalación de servicio MILWAUKEE para que se realicen TODAS las reparaciones.

Mantenimiento de la herramienta

Mantenga su herramienta en buenas condiciones adoptando un programa de mantenimiento regular. Después de un período de entre seis meses y un año, según el uso, envíe la herramienta a una instalación de servicio MILWAUKEE para:

Si la herramienta no enciende o no funciona al máximo de potencia con baterías completamente cargadas, limpie los contactos de la puerta de las baterías. Si la herramienta aún no funciona correctamente, envíela a una instalación de servicio MILWAUKEE para que la reparen.

Limpieza de las ventanas del láser

Limpie las ventanas del láser con un paño suave y húmedo para mantenerlas limpias. Retire la batería antes de realizar la limpieza.

ADVERTENCIA Para reducir el riesgo de una explosión, no queme nunca una batería, aun si está dañada, "muerta" o completamente descargada.

Limpieza

Limpie el polvo y los desechos de las ventilaciones de la herramienta. Mantenga los mangos de la herramienta limpios, secos y sin aceite ni grasa. Use solamente jabón suave y un paño húmedo para limpiar la herramienta, ya que algunos agentes de limpieza y solventes son dañinos para los plásticos y otras partes aisladas. Algunos de estos son la gasolina, aguarrás, decapante para laca, decapante para pintura, solventes para limpieza con cloro, amoníaco y detergentes domésticos que contienen amoníaco. Nunca use solventes inflamables ni combustibles cerca de las herramientas.

Reparaciones

Para realizar reparaciones, envíe la herramienta al centro de servicio más cercano que figure en la contraportada de este manual del operador.

GARANTÍA LIMITADA DE CINCO AÑOS

Se garantiza al comprador original que los productos de pruebas y mediciones MILWAUKEE (que incluyen la herramienta, la(s) batería(s) de iones de litio y el cargador de baterías, excepto las baterías alcalinas) no presentan defectos de material ni de mano de obra. Sujeto a ciertas excepciones, MILWAUKEE reparará o reemplazará cualquier pieza de este producto que, después de ser examinada, MILWAUKEE determine que es defectuosa por material o mano de obra durante un período de cinco (5) años* después de la fecha de compra. Envíe la herramienta de pruebas y mediciones, y una copia del comprobante de la compra al centro de servicio más cercano de fábrica de MILWAUKEE Electric Tool Corporation. Esta garantía no se aplica a los daños que MILWAUKEE determine son consecuencia de reparaciones realizadas o intentos de reparaciones por parte de personal no autorizado por MILWAUKEE, uso indebido, alteraciones, abuso, desgaste y deterioro normales, falta de mantenimiento o accidentes.

*El período de garantía para la batería de IONES DE LITIO que viene con la herramienta de pruebas y mediciones es de dos (2) años a partir de la fecha de compra. *La batería alcalina que viene con la herramienta de pruebas y mediciones tiene una garantía por separado otorgada por el fabricante de la batería. *El período de garantía para un DETECTOR DE VOLTAJE SIN CONTACTO - 2201-20 es de un (1) año a partir de la fecha de compra.

No se necesita registro de garantía para obtener la garantía correspondiente de los productos MILWAUKEE. Se usará la fecha de fabricación del producto para determinar el período de garantía en caso de no presentarse el comprobante de la compra en el momento de solicitar el servicio de garantía. LA ACEPTACIÓN DE LOS DERECHOS EXCLUSIVOS A REPARACIÓN Y REEMPLAZO DESCRITOS EN EL PRESENTE DOCUMENTO CONSTITUYE UNA CONDICIÓN DEL CONTRATO POR LA COMPRA DE CADA PRODUCTO MILWAUKEE. SI NO ACEPTA ESTA CONDICIÓN, NO DEBE COMPRAR EL PRODUCTO. MILWAUKEE NO SERÁ, EN NINGÚN CASO, RESPONSABLE DE DAÑOS INCIDENTALES, ESPECIALES, CONSECUENTES O PUNITIVOS, NI DE COSTOS, HONORARIOS DE ABOGADOS, GASTOS, PÉRDIDAS O DEMORAS SUPUESTAMENTE CAUSADOS COMO CONSECUENCIA DE CUALQUIER DAÑO, FALLA O DEFECTO EN CUALQUIER PRODUCTO, INCLUIDOS, A MODO DE EJEMPLO, RECLAMOS POR PÉRDIDA DE GANANCIAS. ESTA GARANTÍA ES EXCLUSIVA Y SUSTITUYE A TODA OTRA GARANTÍA O CONDICIÓN, ESCRITA U ORAL, EXPRESA O IMPLÍCITA. SIN LIMITAR LA GENERALIDAD DE LO ANTES MENCIONADO, MILWAUKEE SE EXIME DE TODA GARANTÍA IMPLÍCITA DE COMERCIABILIDAD O IDONEIDAD PARA UN USO O PROPÓSITO EN PARTICULAR Y DE CUALQUIER OTRA GARANTÍA. Esta garantía se aplica únicamente a los productos vendidos en EE. UU., Canadá y México.

ACCESORIOS

ADVERTENCIA Para reducir el riesgo de lesiones, siempre extraiga la batería antes de cambiar o retirar accesorios. Utilice únicamente accesorios específicamente recomendados para esta herramienta. El uso de accesorios no recomendados podría resultar peligroso.

Para una lista completa de accesorios, refiérase a su catálogo MILWAUKEE Electric Tool o visite nuestro sitio en Internet: www.milwaukeetool.com. Para obtener un catálogo, contacte su distribuidor local o uno de los centros de servicio listos en la página de cubierta de este manual.

UNITED STATES - MILWAUKEE Service

MILWAUKEE prides itself in producing a premium quality product that is NOTHING BUT HEAVY DUTY®. Your satisfaction with our products is very important to us! If you encounter any problems with the operation of this tool, or you would like to locate the factory Service/Sales Support Branch or authorized service station nearest you, please call...

1-800-SAWDUST

(1.800.729.3878)

Monday-Friday
7:00 AM - 6:30 PM
Central Time

or visit our website at
www.milwaukeetool.com

For service information, use the 'Service Center Search' icon found in the 'Parts & Service' section.

Additionally, we have a nationwide network of authorized Distributors ready to assist you with your tool and accessory needs. Check your "Yellow Pages" phone directory under "Tools-Electric" for the names & addresses of those nearest you or see the 'Where To Buy' section of our website.

Contact our Corporate After Sales Service Technical Support about ...

- Technical Questions
- Service/Repair Questions
- Warranty

call: 1-800-SAWDUST

fax: 1.800.638.9582

email: metproductsupport@milwaukeetool.com

Register your tool online at www.milwaukeetool.com and...

- receive important notifications regarding your purchase
- ensure that your tool is protected under the warranty
- become a HEAVY DUTY club member

Canada - Service MILWAUKEE

MILWAUKEE est fier de proposer un produit de première qualité NOTHING BUT HEAVY DUTY®. Votre satisfaction est ce qui compte le plus!

En cas de problèmes d'utilisation de l'outil ou pour localiser le centre de service/ventes ou le centre d'entretien le plus proche, appelez le...

416.439.4181

fax: 416.439.6210

Milwaukee Electric Tool (Canada) Ltd
755 Progress Avenue
Scarborough, Ontario M1H 2W7

Notre réseau national de distributeurs agréés se tient à votre disposition pour fournir l'aide technique, l'outillage et les accessoires nécessaires. Composez le 416.439.4181 pour obtenir les noms et adresses des revendeurs les plus proches ou bien consultez la section «Où acheter» sur notre site web à l'adresse

www.milwaukeetool.com

MEXICO - Soporte de Servicio MILWAUKEE

Herramientas Alerka
Dr. Andrade 140 Local B, Col. Doctores
Delegación Cuauhtemoc, México D.F.
Telefono sin costo 01 800 832 1949
www.ttigroupmexico.com

Adicionalmente, tenemos una red nacional de distribuidores autorizados listos para ayudarle con su herramienta y sus accesorios. Por favor, llame al 01 800 832 1949 para obtener los nombres y direcciones de los más cercanos a usted, o consulte la sección 'Where to buy' (Dónde comprar) de nuestro sitio web en

www.ttigroupmexico.com

Registre su herramienta en línea, en www.ttigroupmexico.com y...

- reciba importantes avisos sobre su compra
- asegúrese de que su herramienta esté protegida por la garantía
- conviértase en integrante de Heavy Duty

MILWAUKEE ELECTRIC TOOL CORPORATION

13135 West Lisbon Road • Brookfield, Wisconsin, U.S.A. 53005

58-14-2276d2

5/09

Printed in China

Free Manuals Download Website

<http://myh66.com>

<http://usermanuals.us>

<http://www.somanuals.com>

<http://www.4manuals.cc>

<http://www.manual-lib.com>

<http://www.404manual.com>

<http://www.luxmanual.com>

<http://aubethermostatmanual.com>

Golf course search by state

<http://golfingnear.com>

Email search by domain

<http://emailbydomain.com>

Auto manuals search

<http://auto.somanuals.com>

TV manuals search

<http://tv.somanuals.com>