



SERVICE PARTS LIST

BULLETIN NO.
54-05-0326

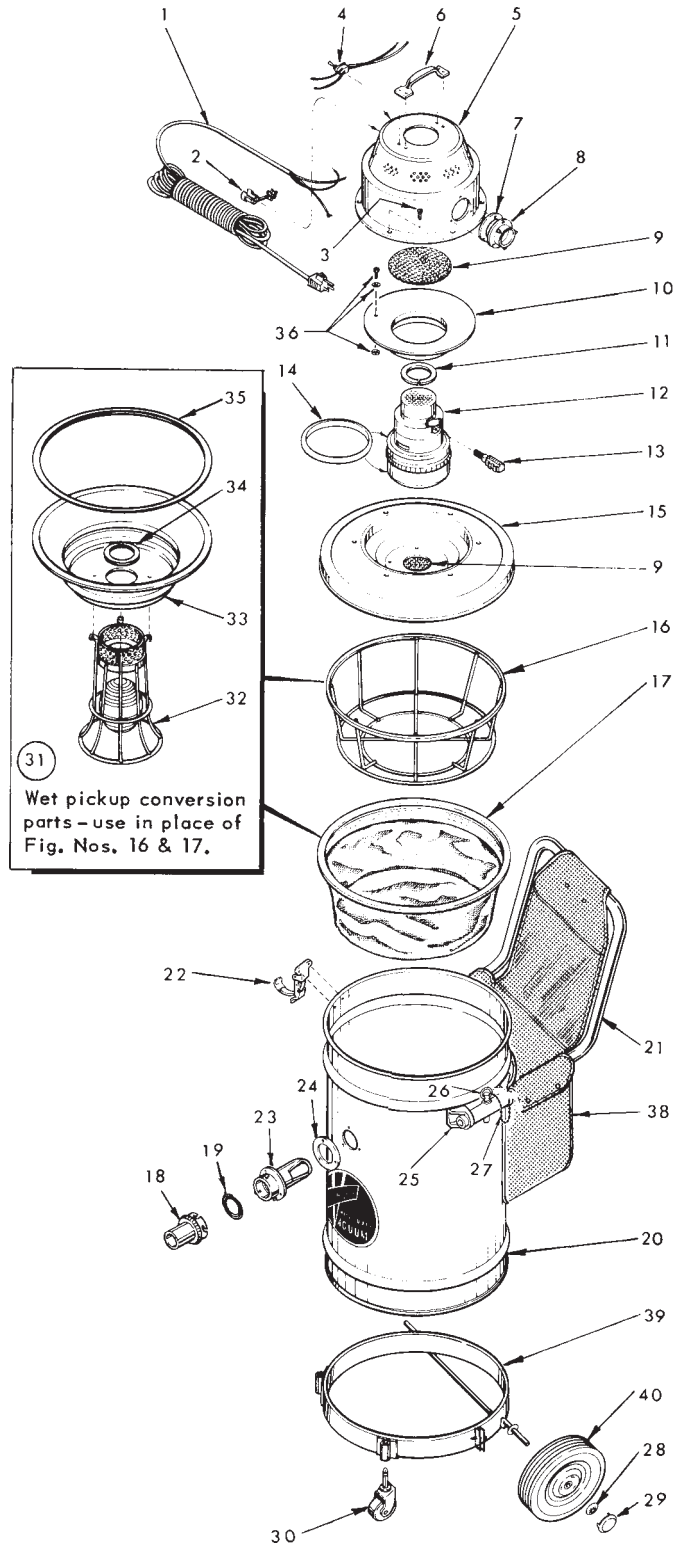
SPECIFY CATALOG NO. AND SERIAL NO. WHEN ORDERING PARTS		REVISED BULLETIN 54-05-0325	DATE Jan. 2003
HEAVY-DUTY VACUUM CLEANER			
CATALOG NO.	8911	STARTING SERIAL NO.	637-6397
WIRING INSTRUCTION			

EXAMPLE:

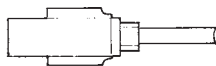


Component Parts (Small #)
Are Included When Ordering
The Assembly (Large #).

FIG.	PART NO.	DESCRIPTION OF PART	NO. REQ.
1	22-64-0700	Cord Set	(1)
2	44-76-0020	Cord Protector	(1)
3	06-85-2000	12 x 1/2 Phillips Type B Pan Hd. Screw	(6)
4	23-66-0870	Switch	(1)
5	42-92-0350	Motor Cover Assembly (Incl. Figs. 6 thru 9)	(1)
6	43-62-0510	Handle	(1)
7	43-44-0335	Gasket	(1)
8	42-86-0070	Connector	(1)
9	45-03-0120	Perforated Aluminum Screen	(1)
10	42-04-0440	Motor Adapter	(1)
11	43-44-0360	Motor Top Gasket	(1)
12	23-30-0100	Small Bypass Motor Assembly	(1)
13	-----	Carbon Brush and Holder (Set) (Refer to bottom of page)	(1)
14	43-44-0390	Motor Gasket	(2)
15	42-92-0270	Container Cover with Screen	(1)
16	49-90-0270	Wire Frame	(1)
17	49-90-0260	Cloth Filter and Gasket	(1)
18	49-90-0150	Swivel End Connector (Incl. Fig. 19)	(1)
19	43-44-0275	Fitted Gasket	(1)
20	42-51-0350	Steel Dust Container Assy. (Incl. Figs. 21 thru 27)	(1)
★ 21	43-62-0920	Push Handle	(1)
22	42-68-0290	Hold Down Clamp	(3)
23	42-86-0080	Inlet Connector Assembly	(1)
24	43-44-0370	Gasket	(1)
★ 25	42-36-1550	Handle Bracket	(2)
★ 26	44-60-0860	Pin and Ring Assembly	(2)
★ 27	42-60-0180	Chain Assembly	(2)
28	06-57-7505	Pal Nut	(2)
29	42-52-0220	Hub Cap	(2)
30	45-94-0140	Swivel Bearing Caster	(2)
31	49-90-1610	Wet Pick-up Conversion Pan Assy. (Incl. Figs. 32 thru 35)	(1)
32	42-46-0110	Float Cage Assembly	(1)
33	44-54-0050	Wet Pan Adapter	(1)
34	43-44-0340	Shut Off Gasket	(1)
35	43-44-0330	Gasket	(1)
36	06-05-0010	Ground Screw Assembly	(1)
38	49-90-0250	Tool Caddy Bag	(1)
★ 39	43-08-0195	Dolly Ring Body	(1)
40	45-94-0130	Wheel	(2)
	49-90-0301	Filter Bags (Pkg. of Five, Not Shown)	(1)



22-18-0430



22-18-0530

MILWAUKEE ELECTRIC TOOL CORPORATION
13135 W. LISBON RD., BROOKFIELD, WI 53005

Drwg. 2

Free Manuals Download Website

<http://myh66.com>

<http://usermanuals.us>

<http://www.somanuals.com>

<http://www.4manuals.cc>

<http://www.manual-lib.com>

<http://www.404manual.com>

<http://www.luxmanual.com>

<http://aubethermostatmanual.com>

Golf course search by state

<http://golfingnear.com>

Email search by domain

<http://emailbydomain.com>

Auto manuals search

<http://auto.somanuals.com>

TV manuals search

<http://tv.somanuals.com>