



SERVICE PARTS LIST

BUL. 54-05-0525

VACUUM CLEANER

REVISED BUL. DATE
March '76

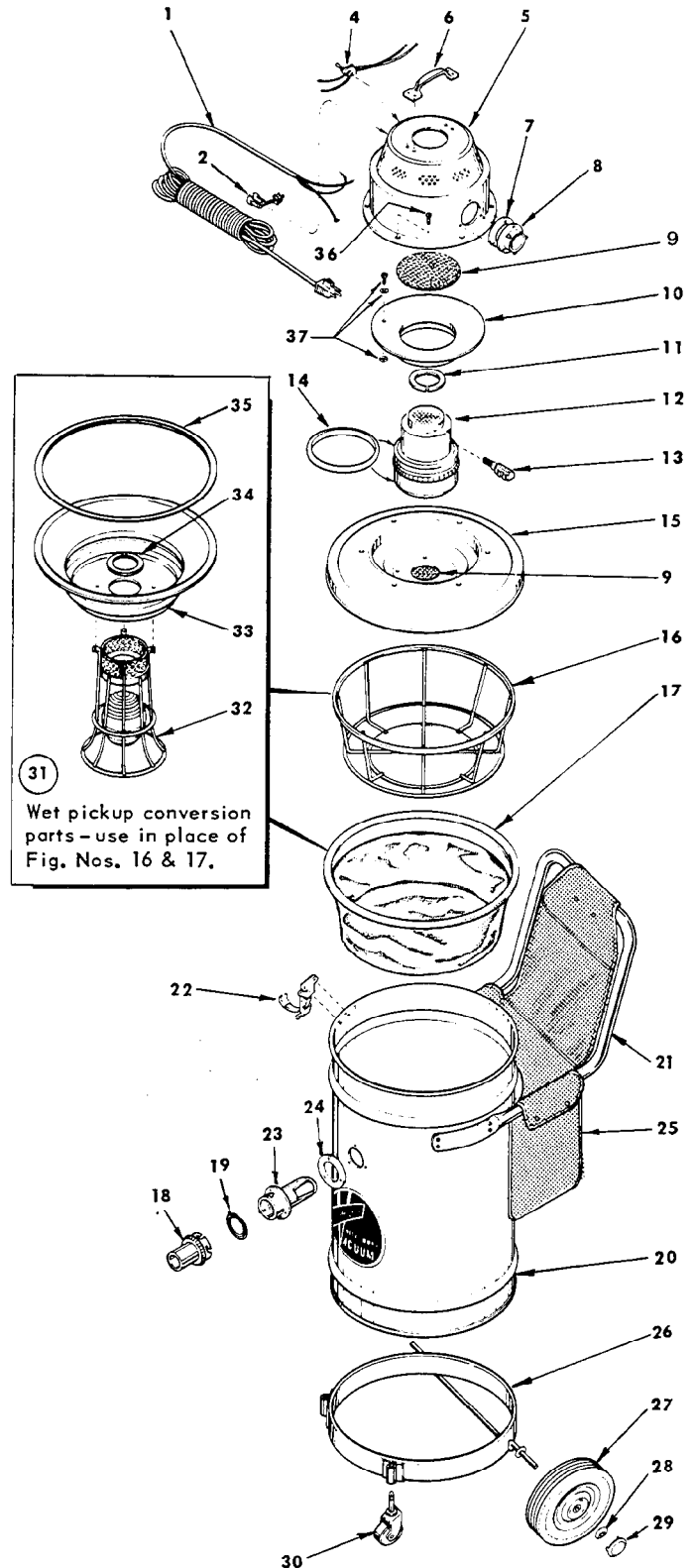
Catalog No. 8912

Starting Serial No. **SERIES 1**

WIRING INSTRUCTIONS

FOR CAT. NO. 8912-2 (230V) VACUUM CLEANER USE:
23-30-0111 MOTOR

FIG.	PART NO.	DESCRIPTION	NO. REQ.
1	22-64-0700	Cord Set	1
2	44-76-0020	Cord Protector	1
4	23-66-0870	Switch	1
5	42-92-0350	Motor Cover Assembly (Includes Fig. Nos. 6 thru 9)	1
6	43-62-0510	Handle	1
7	43-44-0335	Gasket	1
8	42-86-0070	Connector	1
9	45-03-0120	Perforated Aluminum Screen	1
10	42-04-0450	Motor Adapter	1
11	43-44-0470	Motor Top Gasket	1
12	23-30-0110	Large By Pass Motor Assembly	1
13	22-18-0435	Carbon Brush and Holder (Set)	1
14	43-44-0475	Motor Gasket	2
15	42-92-0270	Container Cover with Screen	1
16	49-90-0270	Wire Frame	1
17	49-90-0260	Cloth Filter and Gasket	1
18	49-90-0150	Swivel End Connector (incl. fig. 19)	1
19	43-44-0275	Fitted Gasket	1
20	42-51-0350	Steel Dust Container Assy. (Incl. Fig. Nos. 21 thru 24)	1
21	43-62-0520	Push Handle	1
22	42-68-0290	Holddown Clamp	3
23	42-86-0080	Inlet Connector Assembly	1
24	43-44-0370	Gasket	1
25	49-90-0250	Tool Caddy Bag	1
26	43-08-0150	Dolly Ring Body	1
27	45-94-0130	Wheel	2
28	06-57-7505	Pal Nut	2
29	42-52-0220	Hub Cap	2
30	45-94-0140	Swivel Bearing Caster	2
31	49-90-1610	Wet Pick-up Conversion Pan Assy. (Incl. Fig. Nos. 32 thru 35)	1
32	42-46-0110	Float Cage Assembly	1
33	44-54-0050	Wet Pan Adapter	1
34	43-44-0340	Shut Off Gasket	1
35	43-44-0330	Gasket	1
36	06-85-2000	12 x 1/2 Phillips type B Pan Hd. Screw	6
37	06-05-0010	Ground Screw Assembly	1
38	49-90-0301	Filter Bags (Package of Five) Not Shown	



Free Manuals Download Website

<http://myh66.com>

<http://usermanuals.us>

<http://www.somanuals.com>

<http://www.4manuals.cc>

<http://www.manual-lib.com>

<http://www.404manual.com>

<http://www.luxmanual.com>

<http://aubethermostatmanual.com>

Golf course search by state

<http://golfingnear.com>

Email search by domain

<http://emailbydomain.com>

Auto manuals search

<http://auto.somanuals.com>

TV manuals search

<http://tv.somanuals.com>