



SERVICE PARTS LIST

BULLETIN NO.
54-06-8910

SPECIFY CATALOG NO. AND SERIAL NO. WHEN ORDERING PARTS		REVISED BULLETIN	DATE
CORDLESS 12 VOLT WORKLIGHT			Sept. 2008
CATALOG NO. 49-24-0145	STARTING SERIAL NO. B51A	WIRING INSTRUCTION	

EXAMPLE:
Component Parts (Small #) Are Included When Ordering The Assembly (Large #).

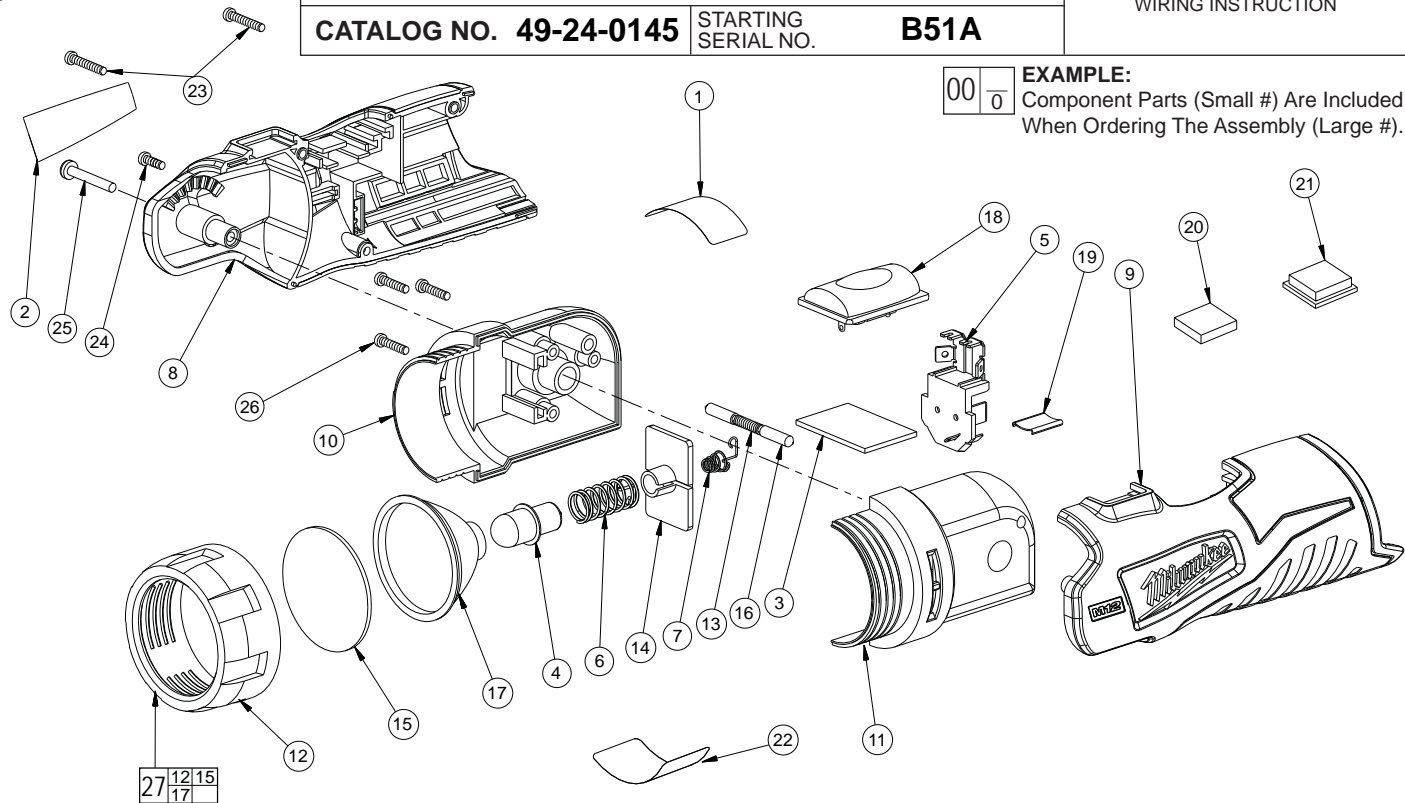
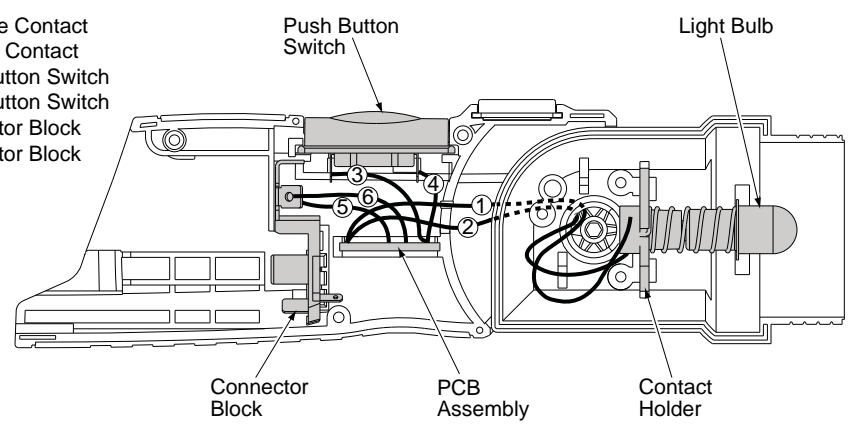


FIG.	PART NO.	DESCRIPTION OF PART	NO. REQ.	FIG.	PART NO.	DESCRIPTION OF PART	NO. REQ.
1	10-20-2705	Warning Label	(1)	17	-----	Reflector	(1)
2	12-20-2105	Service Nameplate Kit	(1)	18	-----	Push Button Switch	(1)
3	-----	PCB Assembly	(1)	19	-----	Retainer Clip	(1)
4	49-81-0020	12/14.4 Volt Light Bulb (Pkg. of 2)	(1)	20	-----	Magnet	(1)
5	-----	Connector Block	(1)	21	-----	Protective Cover	(1)
6	-----	Negative Contact	(1)	22	10-20-2750	Temperature Warning Label	(1)
7	-----	Positive Contact	(1)	23	-----	6 x 15 Pan Hd. T-9 Screw	(2)
8	-----	Handle Halve - Right	(1)	24	-----	6 x 8 Pan Hd. T-9 Screw	(1)
9	-----	Handle Halve - Left	(1)	25	-----	M3 x 20 Pan Hd. T-9 Screw	(1)
10	-----	Housing - Right	(1)	26	-----	6 x 12 Pan Hd. Phillips Screw	(3)
11	-----	Housing - Left	(1)	27	31-58-0710	Bezel Assembly	(1)
12	-----	Bezel	(1)				
13	-----	Compression Spring	(1)				
14	-----	Contact Holder	(1)				
15	-----	Lens	(1)				
16	-----	Detent Pin	(2)				

NOTE: The use of a soft cloth is recommended when installing lightbulbs. Direct contact with oils or other contamination can shorten the life of lightbulbs.

- 1 Black From PCB to Negative Contact
- 2 Red From PCB to Positive Contact
- 3 Red From PCB to Push Button Switch
- 4 Red From PCB to Push Button Switch
- 5 Yellow From PCB to Connector Block
- 6 Black From PCB to Connector Block



MILWAUKEE ELECTRIC TOOL CORPORATION
13135 W. LISBON RD., BROOKFIELD, WI 53005
Drwg. 1

Free Manuals Download Website

<http://myh66.com>

<http://usermanuals.us>

<http://www.somanuals.com>

<http://www.4manuals.cc>

<http://www.manual-lib.com>

<http://www.404manual.com>

<http://www.luxmanual.com>

<http://aubethermostatmanual.com>

Golf course search by state

<http://golfingnear.com>

Email search by domain

<http://emailbydomain.com>

Auto manuals search

<http://auto.somanuals.com>

TV manuals search

<http://tv.somanuals.com>