

# Panasonic

Automotive universal charger

Operating Instructions

Model No: EY0901



Before operating this unit, please read these instructions completely and save this manual for future use.

SAVE THESE INSTRUCTIONS

# IMPORTANT SAFETY INSTRUCTIONS

## 1) SAVE THESE INSTRUCTIONS

This manual contains important safety and operating instructions for battery charger EY0901

- 2) Before using battery charger, read all instructions and cautionary markings on
  - (1) battery charger,
  - (2) battery pack, and (3) product using battery
- 3) **CAUTION**-To reduce the risk of injury, charge only Battery Pack as shown in the last page  
Other types of batteries may burst causing personal injury and damage
- 4) Do not expose charger to rain moisture or snow
- 5) Use of an attachment not recommended or sold by the battery charger manufacturer may result in a risk of fire, electric shock, or injury to persons
- 6) To reduce risk of damage to cigarette lighter connector and cord, pull by cigarette lighter connector rather than cord when disconnecting charger
- 7) Make sure cord is located so that it will not be stepped on, tripped over, or otherwise subjected to damage or stress
- 8) Do not operate charger with damaged cord or cigarette lighter connector- replace it immediately
- 9) Do not operate charger if it has received a sharp blow, been dropped, or otherwise damaged in any way, take it to a qualified serviceman
- 10) Do not disassemble charger, take it to a qualified serviceman when service or repair is required. Incorrect reassembly may result in a risk of electric shock or fire
- 11) To reduce the risk of electric shock, unplug charger from outlet before attempting any maintenance or cleaning
- 12) The charger and battery pack are specifically designed to work together. Do not attempt to charge any other cordless tool or battery pack with this charger
- 13) Do not attempt to disassemble the battery pack housing
- 14) Do not store the battery pack and charger in locations where the temperature may reach or exceed 122° F (50°C) (such a metal tool shed, or a car in the summer), which can lead to deterioration of the storage battery
- 15) Do not charge battery pack when the temperature is BELOW 32° F (0°C) or ABOVE 104° F (40°C). This is very important
- 16) Do not incinerate battery pack. It can explode in a fire
- 17) Avoid dangerous environment. Do not use charger in damp or wet locations
- 18) The charger is designed to operate on standard DC 12V only. Do not attempt to use it on any other voltage!
- 19) Do not abuse cord. Never carry charger by cord or yank it to disconnect from outlet. Keep cord away from heat, oil and sharp edges
- 20) Charge the battery pack in a well ventilated place, do not cover the charger and battery pack with a cloth, etc., while charging
- 21) An extension cord should not be used

## IMPORTANT CHARGING NOTES

- When operating, the charger drains 2.0 Amperes from the battery in your vehicle during charge. To avoid draining auto battery, use charger only when engine is running
- The charger is designed to operate from a 12 volt negative ground battery system. DO NOT attempt to use it with any other voltage system

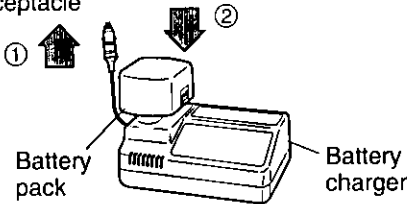
# OPERATING INSTRUCTIONS

## NOTE:

When you charge the battery pack for the first time, or after prolonged storage, charge it for about 24 hours to bring the batteries up to full capacity.

1. Connect the charger to cigarette lighter receptacle (12VDC).
2. Insert the battery pack firmly into the charger.

To cigarette lighter receptacle



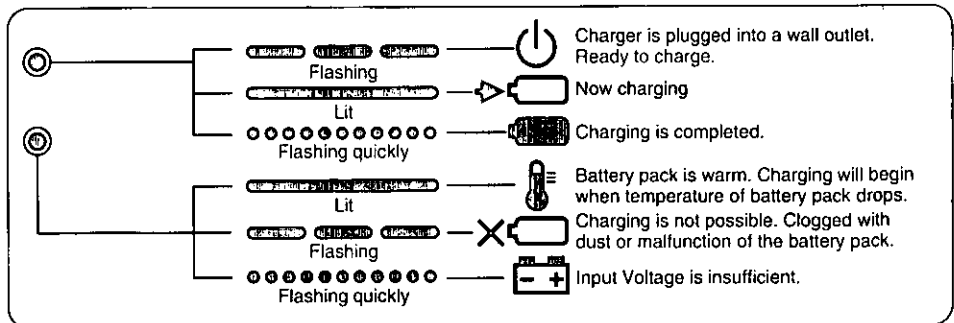
3. When the charge is completed, an internal electronic switch will automatically be triggered to prevent overcharging.
  - Charging will not occur if the battery pack is warm (for example, immediately after heavy-duty operation). The orange standby lamp will be lit until the battery becomes cool. Charging will then begin automatically.
4. When charging is completed, the charging lamp will start flashing quickly.

5. When orange lamp starts flashing quickly, it indicates insufficient input voltage. Charger is in standby mode. When this happens, check following conditions for troubleshooting.
  - Other equipment is being used.
  - Engine is not running.
  - Cigar plug is not fully inserted.
  - Lifetime of car battery.
6. If a fully charged battery pack is inserted into the charger again, the charging lamp may light up. After several minutes, the charging lamp may flash quickly to indicate the charging is completed.
7. If the charging lamp does not light immediately after the charger is connected, or if after the standard charging time the lamp does not go off, consult an authorized dealer.

- NOTE:**
- When battery is inactive, charging may take longer than standard charging time.
  - When a cool battery pack (of about 5°C or less) is to be charged in a warm room, leave the battery in the room for at least one hour and charge it when it has warmed up to room temperature. (Failing to do so may result in less than a full charge.)
  - Cool down the charger when charging more than two battery packs consecutively.
  - Do not insert your fingers into contact hole, when holding charger or any other occasions.

- CAUTION:**
- Do not use power source from an engine generator.
  - Do not cover vent holes on the charger and the battery pack.

## LAMP INDICATIONS



# SPECIFICATIONS

Weight	0 88kg, (1 94lbs)					
Electrical Rating	See the name plate on the bottom of the charger					
Charging time	24V	15 6V	12V	9 6V	7 2V	Standard Charging Time
	—	—	EY9001 EY9006	EY9080 EY9086	EY9065 EY9066	Approx 45 min
	—	—	EY9101	EY9180 EY9182	—	Approx 50 min
	—	EY9136	EY9106 EY9107 EY9108	—	EY9168	Approx 60 min
	—	EY9230	EY9200	—	—	Approx 90 min
	EY9117	—	—	—	—	Approx 110 min
	EY9210	—	—	—	—	Approx 160 min

**NOTE** When battery is inactive,charging may take longer than standard charging time

**PANASONIC HOME & COMMERCIAL PRODUCTS COMPANY**  
One Panasonic Way, Secaucus, New Jersey 07094

## Free Manuals Download Website

<http://myh66.com>

<http://usermanuals.us>

<http://www.somanuals.com>

<http://www.4manuals.cc>

<http://www.manual-lib.com>

<http://www.404manual.com>

<http://www.luxmanual.com>

<http://aubethermostatmanual.com>

Golf course search by state

<http://golfingnear.com>

Email search by domain

<http://emailbydomain.com>

Auto manuals search

<http://auto.somanuals.com>

TV manuals search

<http://tv.somanuals.com>