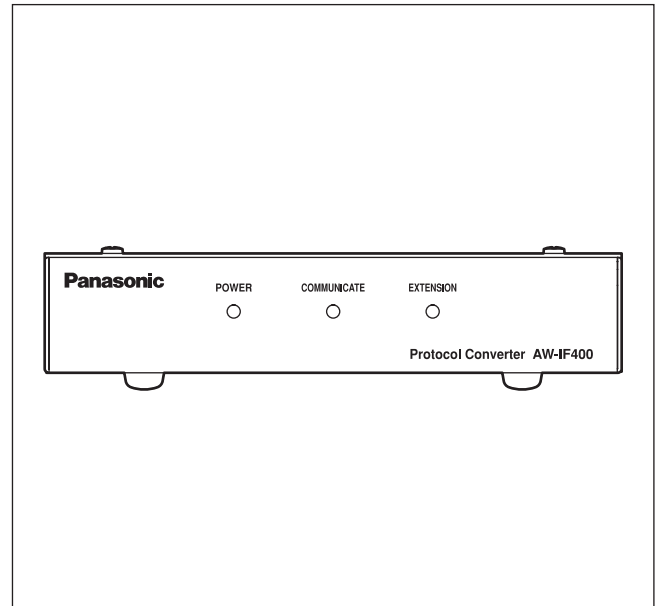


# Operating Instructions

## Protocol Converter AW-IF400G



# Panasonic®

Before attempting to connect, operate or adjust this product,  
please read these instructions completely.

# ENGLISH VERSION



**CAUTION**  
**RISK OF ELECTRIC SHOCK**  
**DO NOT OPEN**



CAUTION: TO REDUCE THE RISK OF ELECTRIC SHOCK,  
DO NOT REMOVE COVER (OR BACK).  
NO USER SERVICEABLE PARTS INSIDE.  
REFER TO SERVICING TO QUALIFIED SERVICE PERSONNEL.



The lightning flash with arrowhead symbol, within an equilateral triangle, is intended to alert the user to the presence of uninsulated “dangerous voltage” within the product’s enclosure that may be of sufficient magnitude to constitute a risk of electric shock to persons.



The exclamation point within an equilateral triangle is intended to alert the user to the presence of important operating and maintenance (service) instructions in the literature accompanying the appliance.

For CANADA

**This class A digital apparatus complies with  
Canadian ICES-003.**

**Cet appareil numérique de la classe A est  
conforme à la norme NMB-003 du Canada.**

## FCC Note:

This equipment has been tested and found to comply with the limits for a class A digital device, pursuant to Part 15 of the FCC Rules. These limits are designed to provide reasonable protection against harmful interference when the equipment is operated in a commercial environment. This equipment generates, uses, and can radiate radio frequency energy, and if not installed and used in accordance with the instruction manual, may cause harmful interference to radio communications. Operation of this equipment in a residential area is likely to cause harmful interference in which case the user will be required to correct the interference at his own expense.

## Warning:

To assure continued FCC emission limit compliance, the user must use only shielded interface cables when connecting to external units. Also, any unauthorized changes or modifications to this equipment could void the user’s authority to operate it.



**WARNING:**

- TO REDUCE THE RISK OF FIRE OR ELECTRIC SHOCK, DO NOT EXPOSE THIS APPARATUS TO RAIN OR MOISTURE.
- THE APPARATUS SHALL NOT BE EXPOSED TO DRIPPING OR SPLASHING AND THAT NO OBJECTS FILLED WITH LIQUIDS, SUCH AS VASES, SHALL BE PLACED ON THE APPARATUS.

**CAUTION:**

TO REDUCE THE RISK OF FIRE OR SHOCK HAZARD AND ANNOYING INTERFERENCE, USE THE RECOMMENDED ACCESSORIES ONLY.

**Note:**

The rating plate (serial number plate) is on the bottom of the unit.

 indicates safety information.

**Information on Disposal for Users of Waste Electrical & Electronic Equipment (private households)**

This symbol on the products and/or accompanying documents means that used electrical and electronic products should not be mixed with general household waste.

For proper treatment, recovery and recycling, please take these products to designated collection points, where they will be accepted on a free of charge basis. Alternatively, in some countries you may be able to return your products to your local retailer upon the purchase of an equivalent new product.

Disposing of this product correctly will help to save valuable resources and prevent any potential negative effects on human health and the environment which could otherwise arise from inappropriate waste handling.

Please contact your local authority for further details of your nearest designated collection point.

Penalties may be applicable for incorrect disposal of this waste, in accordance with national legislation.

**For business users in the European Union**

If you wish to discard electrical and electronic equipment, please contact your dealer or supplier for further information.


**Information on Disposal in other Countries outside the European Union**

This symbol is only valid in the European Union.

If you wish to discard this product, please contact your local authorities or dealer and ask for the correct method of disposal.

# IMPORTANT SAFETY INSTRUCTIONS

Read these operating instructions carefully before using the unit. Follow the safety instructions on the unit and the applicable safety instructions listed below. Keep these operating instructions handy for future reference.

- 1) Read these instructions.
- 2) Keep these instructions.
- 3) Heed all warnings.
- 4) Follow all instructions.
- 5) Do not use this apparatus near water.
- 6) Clean only with dry cloth.
- 7) Do not block any ventilation openings. Install in accordance with the manufacturer's instructions.
- 8) Do not install near any heat sources such as radiators, heat registers, stoves, or other apparatus (including amplifiers) that produce heat.
- 9) Do not defeat the safety purpose of the polarized or grounding-type plug. A polarized plug has two blades with one wider than the other. A grounding-type plug has two blades and a third grounding prong. The wide blade or the third prong are provided for your safety. If the provided plug does not fit into your outlet, consult an electrician for replacement of the obsolete outlet.
- 10) Protect the power cord from being walked on or pinched particularly at plugs, convenience receptacles, and the point where they exit from the apparatus.
- 11) Only use attachments/accessories specified by the manufacturer.
- 12) Use only with the cart, stand, tripod, bracket, or table specified by the manufacturer, or sold with the apparatus. When a cart is used, use caution when moving the cart/apparatus combination to avoid injury from tip-over. 
- 13) Unplug this apparatus during lightning storms or when unused for long periods of time.
- 14) Refer all servicing to qualified service personnel. Servicing is required when the apparatus has been damaged in any way, such as power-supply cord or plug is damaged, liquid has been spilled or objects have fallen into the apparatus, the apparatus has been exposed to rain or moisture, does not operate normally, or has been dropped.

# Contents

---

<b>Precautions for use</b> .....	4	■When using the extended distance transmission function of AW-RP400 and AW-PH400 .....	16
<b>Introduction</b> .....	5	■When using the extended distance transmission function of AW-RP400 and AW-PH360 .....	17
<b>Major operating controls and their functions</b> .....	6	<b>Appearance</b> .....	18
<b>Connections</b> .....	9	<b>Specifications</b> .....	19
■When controlling AW-PH400 from AW-RP605A (AW-RP605) .....	10		
■When controlling AW-PH400 from AW-RP555 .....	11		
■When controlling AW-PH400 from AW-RP655 .....	12		
■When controlling AW-PH350 from AW-RP400 .....	13		
■When controlling AW-PH360 from AW-RP400 .....	14		
■When controlling AW-PH650 from AW-RP400 .....	15		

# Precautions for use

---

- **Power Off Before Connecting or Disconnecting Cables.**  
Before plugging or unplugging the cables, be sure to switch power off.
- **Handle Carefully.**  
Do not drop the product, or subject it to strong shock or vibration. This is important to prevent trouble.
- **Avoid Humidity and Dust.**  
Avoid using the product at a humid, dusty place because much humidity and dust will cause damage to the parts inside.
- **Operating Temperature Range**  
Avoid using the product at a cold place below 14°F (-10°C) or at a hot place above 113°F (+45°C) because extremely low or high temperature will adversely affect the parts inside.

# Introduction

---

By using this unit, AW-PH400 can be controlled from AW-RP605/AW-RP605A/AW-RP655/AW-RP555.

Additionally, the controllable distance between AW-RP400 and AW-PH400/AW-PH360 can be extended up to 3,280 feet (1,000 meters).

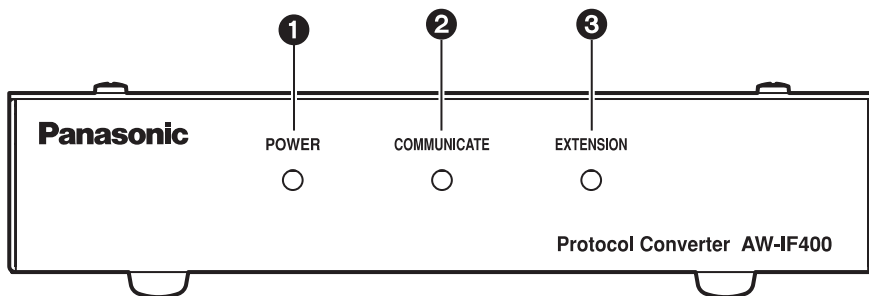
AW-PH350/AW-PH360/AW-PH650 can also be controlled from AW-RP400.

## Notes

- **The connections other than above examples cannot be done.**
- **When controlling the AW-PH400 from the AW-RP605A:**
  - The AW-PH400 has no backlash so it is not necessary to adjust the backlash compensation.
  - The maximum memory time of the tracing memory is 300 seconds.
  - DIAGONAL MOTION cannot be set from ON to OFF or vice versa. It is always in effect.
  - PRESET SPEED can be changed by setting DIAGONAL MOTION to ON and adjusting the DIAGONAL SPEED value.
  - The maximum controllable distance is 1,000 meters between the AW-RP605A and AW-IF400G and 500 meters between the AW-PH400 and AW-IF400G.
- **When controlling the AW-PH350 from the AW-RP400:**
  - The tracing memory data cannot be stored, played or deleted.
  - TILT RANGE cannot be switched. It is fixed at 190 degrees.
  - Backlash in the AW-PH350 cannot be compensated for.
  - DIAGONAL MOTION cannot be set.
  - The maximum controllable distance is 500 meters between the AW-RP400 and AW-IF400G and 1,000 meters between the AW-PH350 and AW-IF400G.

# Major operating controls and their functions

## ■ Front panel



### ① Power LED [POWER]

This lights up green when DC power is supplied to the DC 12 V input connector ⑦.

### ② Transmission Status LED [COMMUNICATE]

This lights up when data is being transmitted between the controller and pan/tilt head.

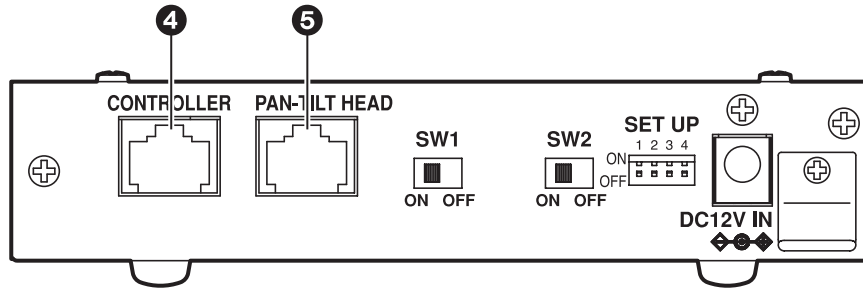
### ③ Extended Distance Transmission LED [EXTENSION]

This lights up when this unit is used to extend the transmission distance between AW-RP400 and AW-PH400.

# Major operating controls and their functions

---

## ■ Rear panel



### ④ Controller connector [CONTROLLER]

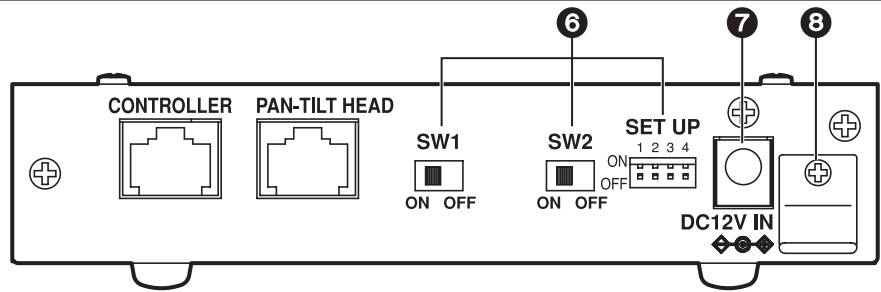
Use the controller CONTROL OUT TO PAN/TILT terminal and a 10BASE-T (equivalent to UTP category 5) straight cable for connection.

### ⑤ Pan/tilt head connector [PAN-TILT HEAD]

Use the pan/tilt head IP/RP terminal and a 10BASE-T (equivalent to UTP category 5) straight cable for connection.



# Major operating controls and their functions



**6 Function Switches [SW1, SW2, SET UP]**  
 (Factory defaults: SW1 = OFF, SW2 = OFF, SET UP No.1 = ON, SET UP No.2 to 4 = OFF)  
 This is used to select the operations of the AW-IF400. Before changing a setting, the power must be turned off. SETUP No.3 is the tilt range selector switch which is used to control the AW-PH400 from the AW-RP605A. At the ON position, the range is 300 degrees; at the OFF position, it is 190 degrees. For any other combination, use the switch at the OFF position.

**7 DC 12 V input connector [DC12V IN]**  
 Connect the AW-PS505A AC adapter (sold separately) to this socket.



**8 Cable clamp**  
 This is used to clamp the power cable in place and prevent it from coming loose.

Functions	SW1	SW2	SET UP			
			No.1	No.2	No.3	No.4
	MODE SET		TILT RANGE		NOT USE	
Controlling PH400 from RP605A	OFF	OFF	ON	OFF	ON (300 deg) / OFF (190 deg)	OFF
Extending communication distance between RP400 and PH400	ON	ON	OFF	OFF	OFF (Set at RP400)	OFF
Controlling PH350 from RP400	OFF	ON	OFF	ON	OFF	OFF

# ***Connections***

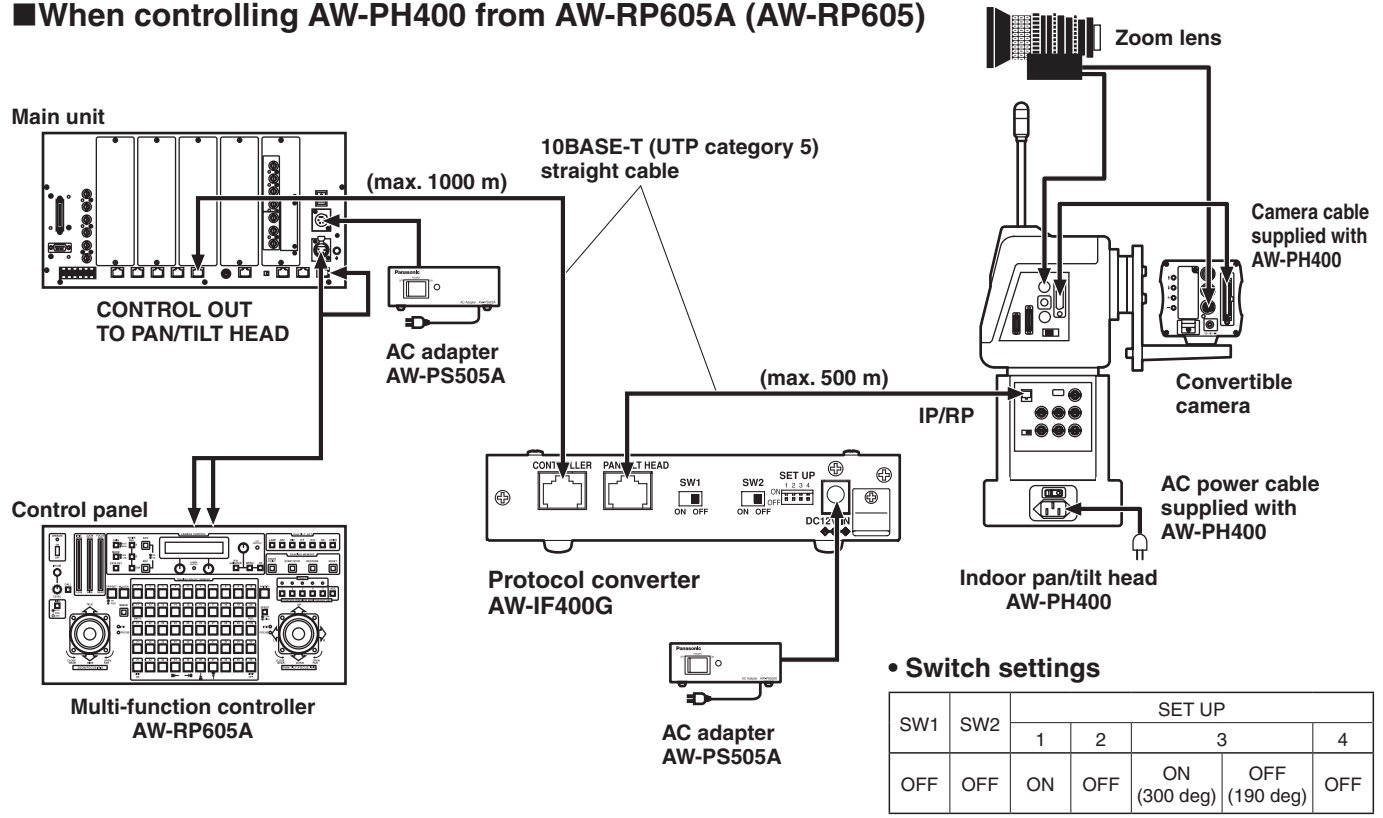
---

---

- Before proceeding with the connections, turn off the power.
- For further details on connecting the devices, refer to the operating instructions accompanying the devices concerned.
- For further details on operating the devices, refer to the operating instructions accompanying the devices concerned.
- Use a separate cable compensator if the video signal cable is longer than 500 meters.

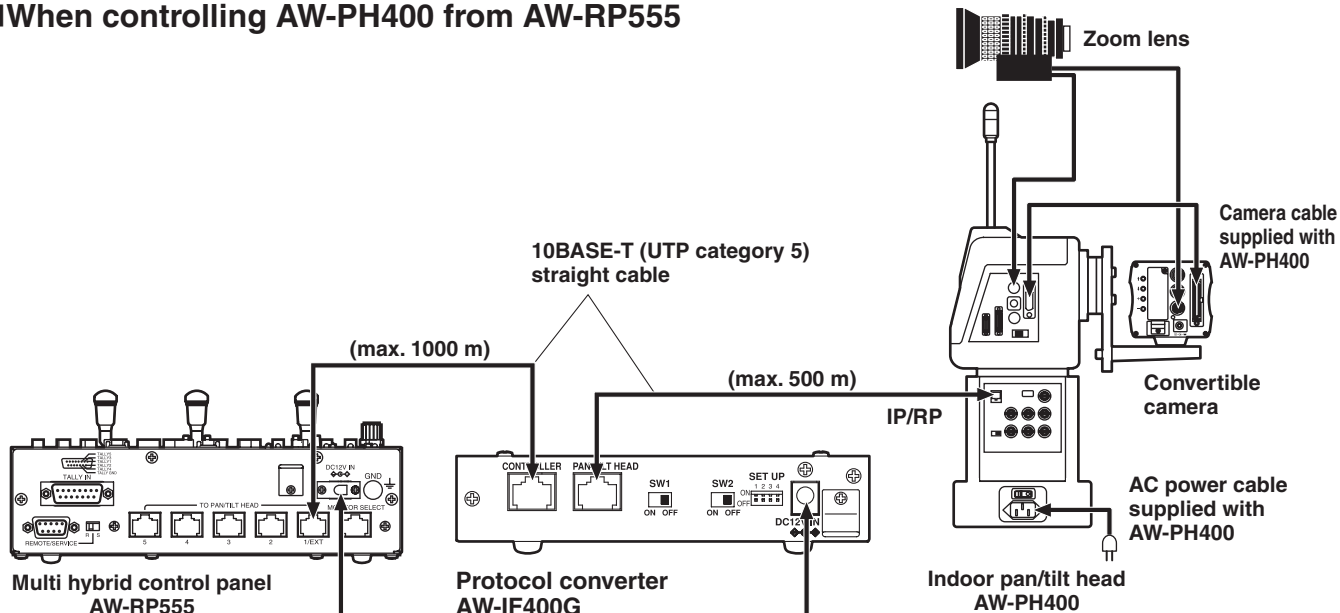
# Connections

## ■ When controlling AW-PH400 from AW-RP605A (AW-RP605)



# Connections

## ■ When controlling AW-PH400 from AW-RP555

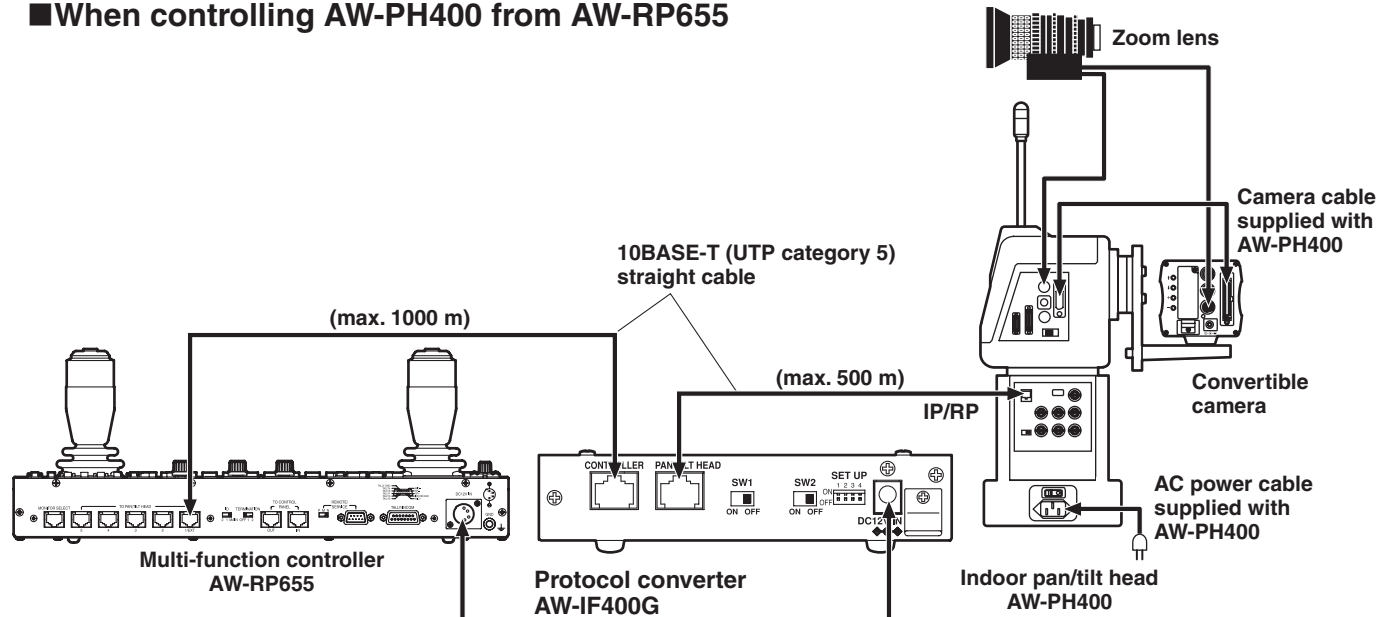


### • Switch settings

SW1	SW2	SET UP				
		1	2	3	4	
OFF	OFF	ON	OFF	ON (300 deg)	OFF (190 deg)	OFF

# Connections

## ■ When controlling AW-PH400 from AW-RP655

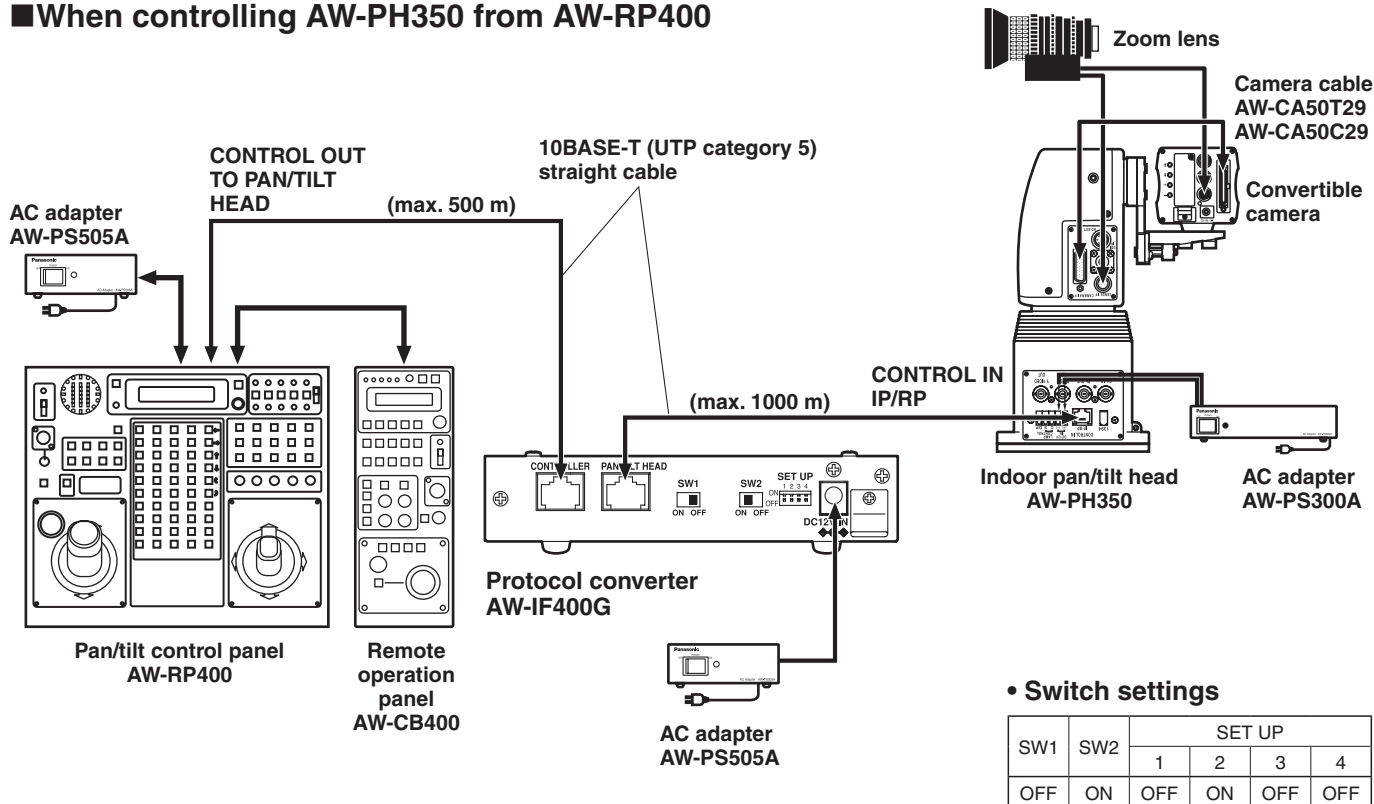


### • Switch settings

SW1	SW2	SET UP				
		1	2	3	4	
OFF	OFF	ON	OFF	ON (300 deg)	OFF (190 deg)	OFF

# Connections

## ■ When controlling AW-PH350 from AW-RP400

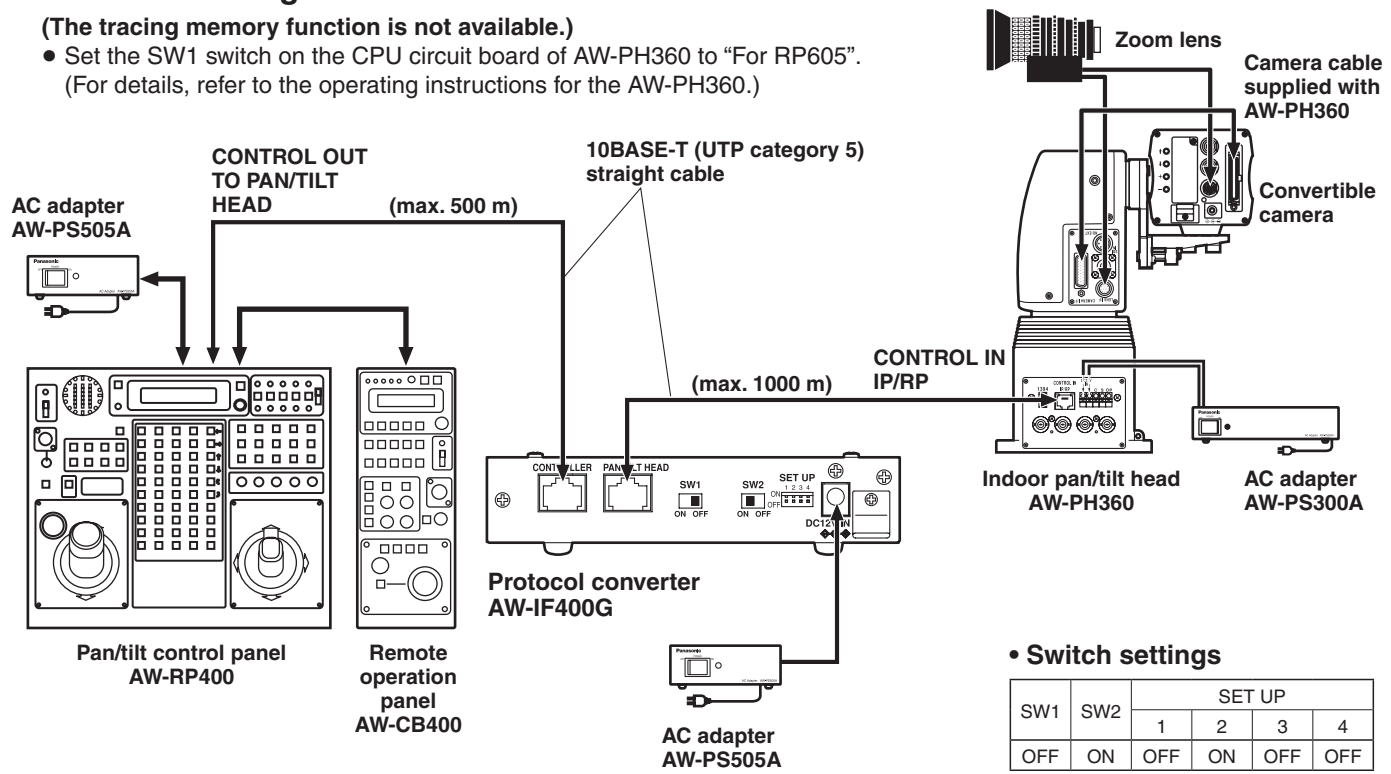


# Connections

## ■ When controlling AW-PH360 from AW-RP400

(The tracing memory function is not available.)

- Set the SW1 switch on the CPU circuit board of AW-PH360 to "For RP605".  
(For details, refer to the operating instructions for the AW-PH360.)

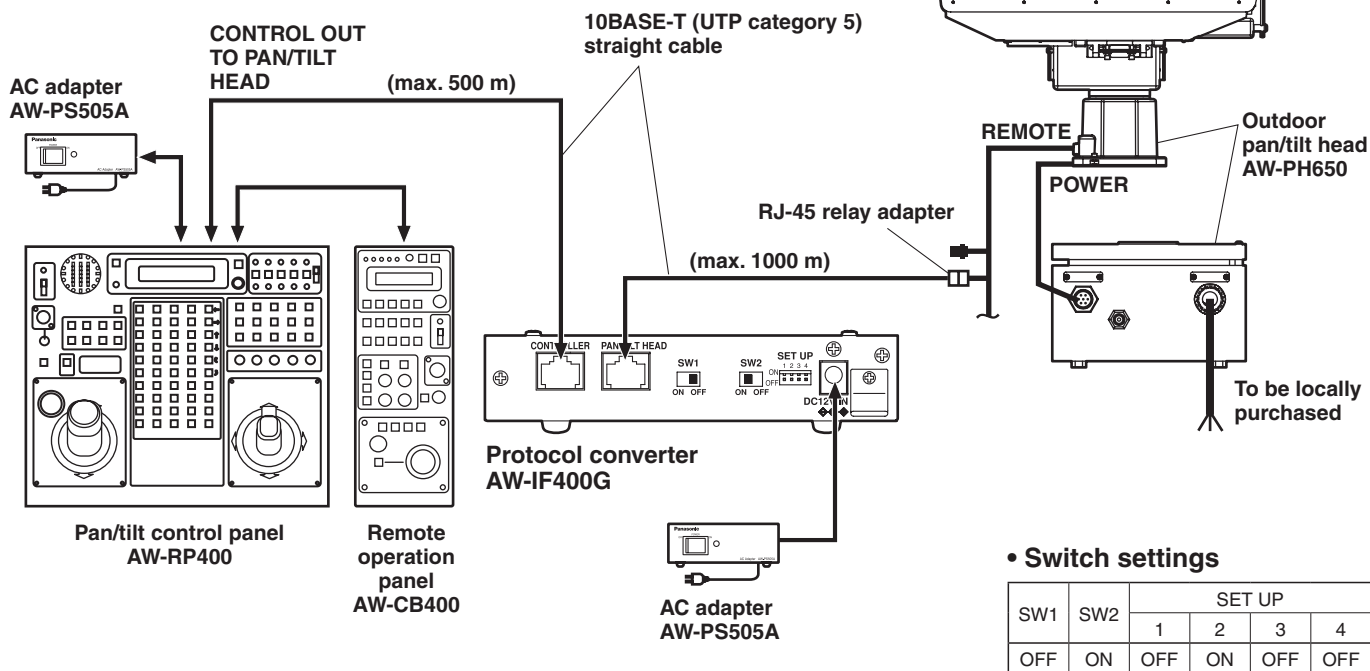


SW1	SW2	SET UP			
		1	2	3	4
OFF	ON	OFF	ON	OFF	OFF

# Connections

## ■ When controlling AW-PH650 from AW-RP400

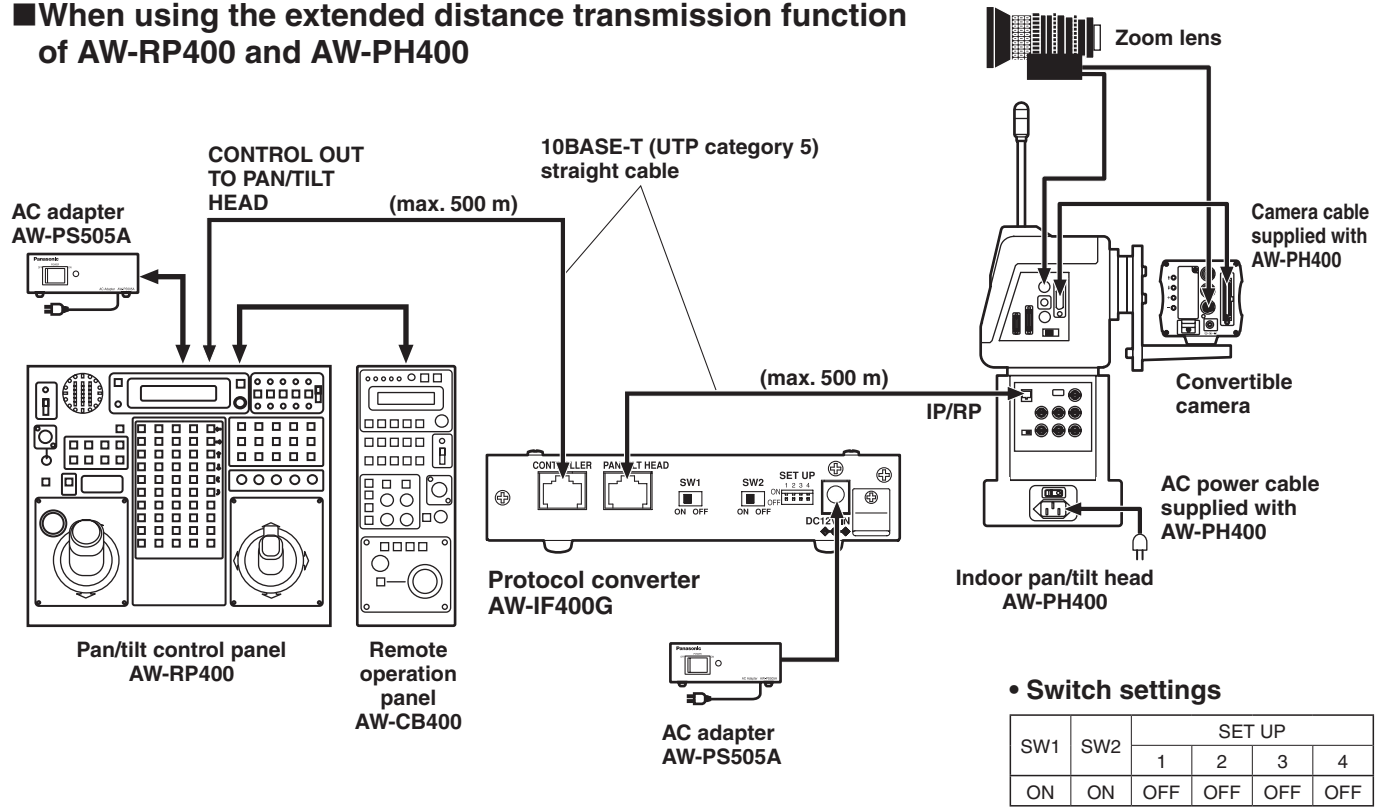
(For the connections of the AW-PH650 pan/tilt head, camera housing, and camera, refer to the operating instructions for the AW-PH650.)





# Connections

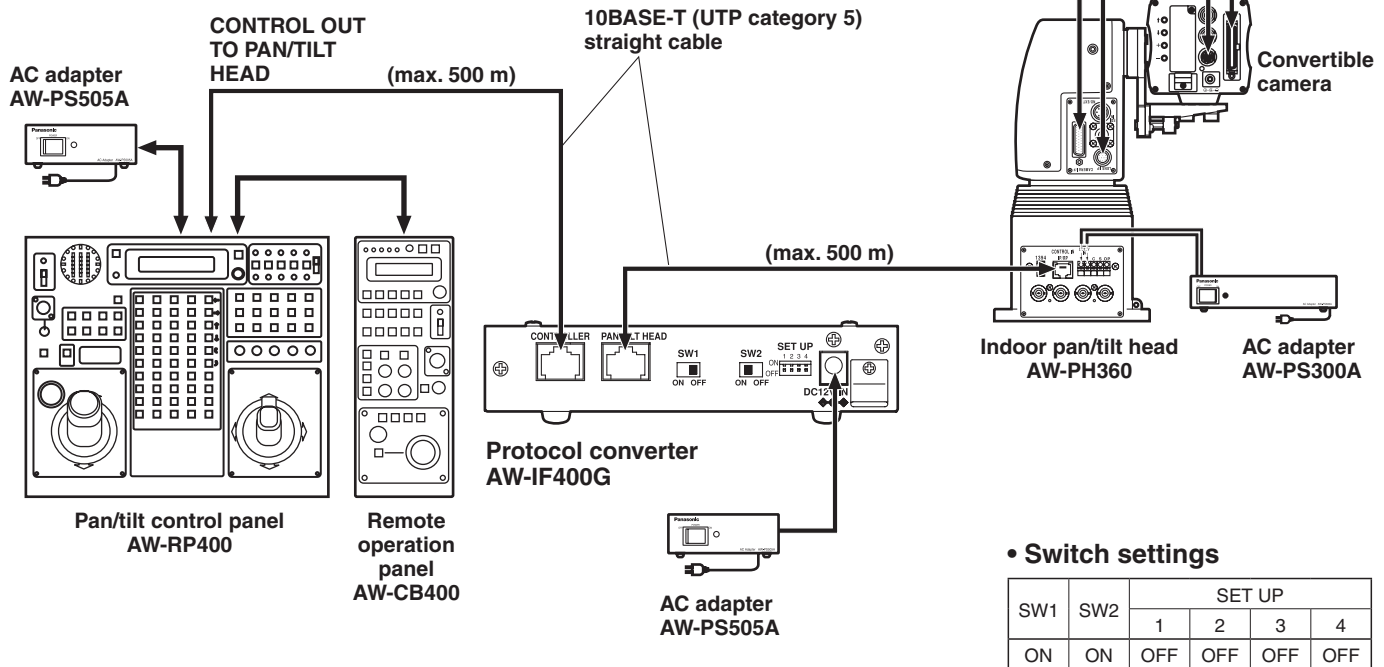
■ When using the extended distance transmission function of AW-RP400 and AW-PH400



# Connections

## ■ When using the extended distance transmission function of AW-RP400 and AW-PH360

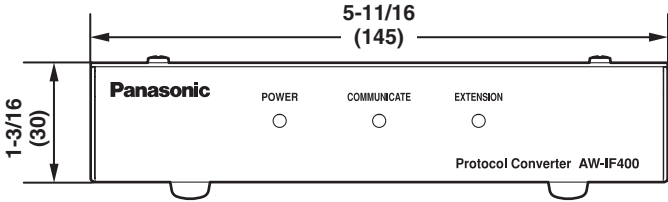
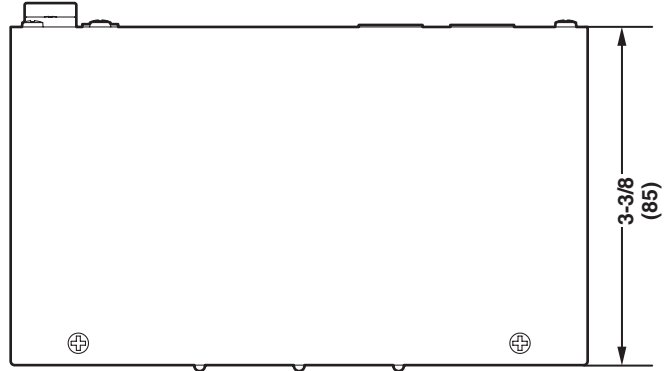
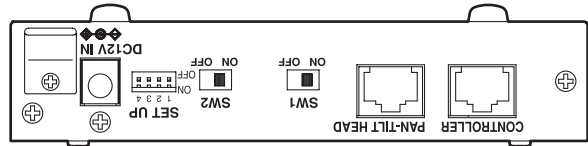
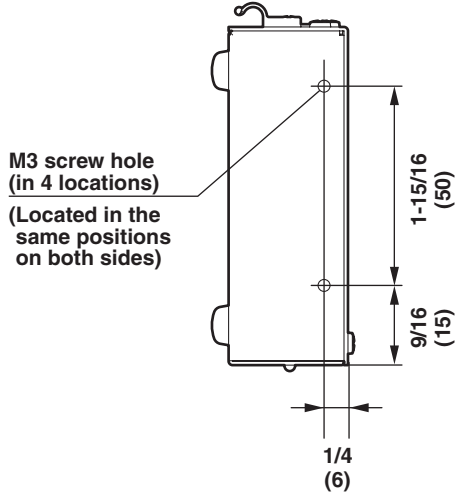
(The tracing memory function is available.)



# Appearance

- For mounting and other applications, use the screw (M3 screw) holes in the side panels. Do not use screws longer than 10 mm.

Unit: inch (mm)



# Specifications

---

**Source voltage:** DC 10.8 V to DC 16.0 V

**Power consumption:** 1.5 W

 indicates safety information.

**Controller supported:** AW-RP400, AW-RP555, AW-RP605, AW-RP605A, AW-RP655

**Pan/tilt head supported:** AW-PH350, AW-PH360, AW-PH400, AW-PH650

## Input connectors

DC 12 V IN socket: Supply DC 12 V from the general-purpose AC adapter.  
(Recommended AC adapter: AW-PS505A)

## Input/Output connector

CONTROLLER: RJ45, modular jack  
10BASE-T straight cable (UTP category 5)

PAN-TILT HEAD: RJ45, modular jack  
10BASE-T straight cable (UTP category 5)

**Switch functions:** Controller / Pan/Tilt Head selector switch (SW1, SW2, SET UP)

**Indicator:** POWER, COMMUNICATE, EXTENSION

## Allowable operating temperature:

14°F to 113°F (-10°C to +45°C)

**Ambient operating humidity:** 30% to 90% (no condensation)

**Dimensions (W×H×D):** 5-11/16"×1-3/16"×3-3/8" (145×30×85 mm) (excluding rubber feet)

**Weight:** Approx. 0.9 lbs. (0.4 kg)

**Finish:** AV ivory paint (color resembling Munsell 7.9Y 6.8/0.8)

Weight and dimensions indicated are approximate.  
Specifications are subject to change without notice.



# Panasonic®

**PANASONIC BROADCAST & TELEVISION SYSTEMS COMPANY**  
UNIT COMPANY OF PANASONIC CORPORATION OF NORTH AMERICA

**Executive Office:**

One Panasonic Way 4E-7, Secaucus, NJ 07094 (201) 348-7000

**EASTERN ZONE:**

One Panasonic Way 4E-7, Secaucus, NJ 07094 (201) 348-7621

**Southeast Region:**

1225 Northbrook Parkway, Ste 1-160, Suwanee, GA 30024 (770) 338-6835

**Central Region:**

1707 N Randall Road E1-C-1, Elgin, IL 60123 (847) 468-5200

**WESTERN ZONE:**

3330 Cahuenga Blvd W., Los Angeles, CA 90068 (323) 436-3500

**Government Marketing Department:**

52 West Gude Drive, Rockville, MD 20850 (301) 738-3840

**Broadcast PARTS INFORMATION & ORDERING:**

9:00 a.m. – 5:00 p.m. (PST) (800) 334-4881/24 Hr. Fax (800) 334-4880

Emergency after hour parts orders (800) 334-4881

**TECHNICAL SUPPORT:**

Emergency 24 Hour Service (800) 222-0741

**Panasonic Canada Inc.**

5770 Ambler Drive, Mississauga, Ontario L4W 2T3 (905) 624-5010

**Panasonic de Mexico S.A. de C.V.**

Av angel Urraza Num. 1209 Col. de Valle 03100 Mexico, D.F. (52) 1 951 2127

**Panasonic Puerto Rico Inc.**

San Gabriel Industrial Park, 65th Infantry Ave., Km. 9.5, Carolina, Puerto Rico 00630 (787) 750-4300

© 2006 Matsushita Electric Industrial Co., Ltd. All rights reserved.

---

**Matsushita Electric Industrial Co., Ltd.**

Web Site: <http://panasonic.net>

---

**松下电器产业株式会社**

Web Site: <http://panasonic.net>

---

**松下電器産業株式会社 ブロードメディア本部**

〒223-8639 横浜市港北区綱島東4丁目3番1号 ☎ フリーダイヤル 0120-878-410

© 2006 Matsushita Electric Industrial Co., Ltd. (松下電器産業株式会社) All Rights Reserved.

Printed in Japan  
Gedruckt in Japan  
Imprimé au Japon  
Stampato in Giappone  
Impreso en Japón  
Напечатано в Японии  
在日本印制

## Free Manuals Download Website

<http://myh66.com>

<http://usermanuals.us>

<http://www.somanuals.com>

<http://www.4manuals.cc>

<http://www.manual-lib.com>

<http://www.404manual.com>

<http://www.luxmanual.com>

<http://aubethermostatmanual.com>

Golf course search by state

<http://golfingnear.com>

Email search by domain

<http://emailbydomain.com>

Auto manuals search

<http://auto.somanuals.com>

TV manuals search

<http://tv.somanuals.com>