

Ceiling mount bracket for low ceilings

**Description**

This ceiling mount bracket is to be used when mounting home cinema projectors to the ceiling.

<b>Specifications</b>	Vertical correction angle:	+5°, -15°
	Horizontal slant correction angle:	±10°
	Horizontal turn correction angle:	±5°
	Dimensions (W x H x D):	468 x 200 x 191 mm (18-7/16" x 7-7/8" x 7-17/32")
	Weight:	1.9 kg (4.2 lbs)

Weights and dimensions shown are approximate. Specifications subject to change without notice.

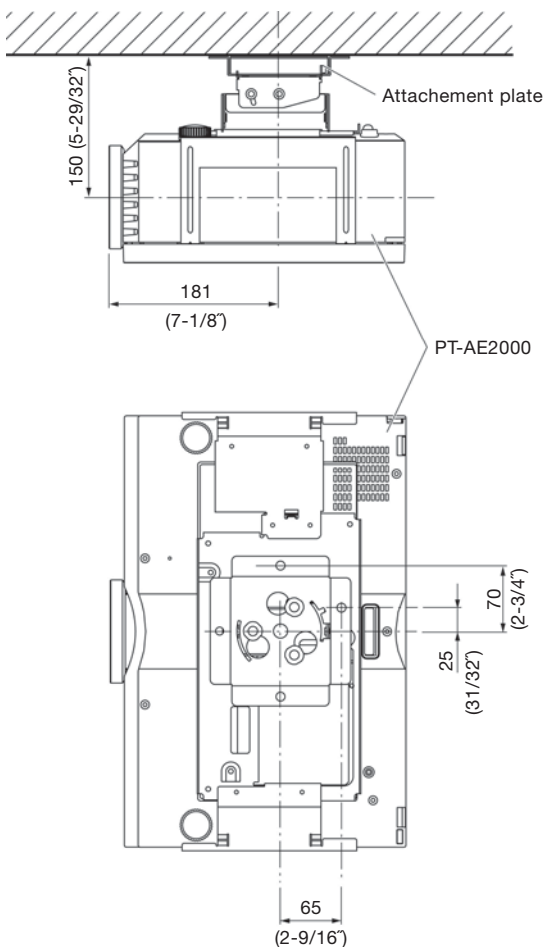
<b>Parts</b>	Attachment plate .....	1	Washer-fitted screws (M4 x 8) .....	10
	Projector mount bracket .....	1	Wire rope .....	1
	Safety fitting A .....	1	Flat wire clip .....	2
	Safety fitting B .....	1	Clamp tube .....	2
	Safety fitting C .....	1		

**Caution:**

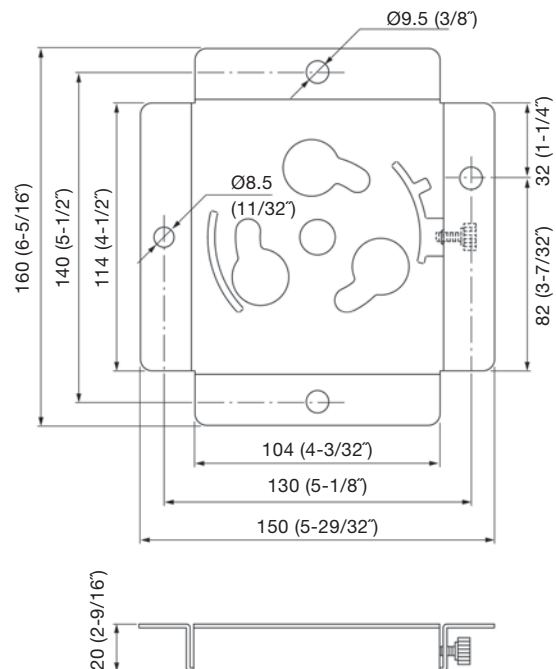
- All mounting work must be done by a qualified technician.
- Ensure that the mounting (ceiling) area has sufficient strength.
- Read the enclosed mounting instructions carefully before starting the mounting procedure.
- When the system is no longer to be used, have a qualified technician promptly remove and dispose of it.
- Do not use a power screwdriver or impact screwdriver to tighten screws. A torque screwdriver or similar tool should be used.

**Dimensions**

Illustration shows the ET-PKE1000S attached to the PT-AE2000.



Attachment plate



unit : mm (inch)

NOTE: This illustration is not drawn to scale.

## Free Manuals Download Website

<http://myh66.com>

<http://usermanuals.us>

<http://www.somanuals.com>

<http://www.4manuals.cc>

<http://www.manual-lib.com>

<http://www.404manual.com>

<http://www.luxmanual.com>

<http://aubethermostatmanual.com>

Golf course search by state

<http://golfingnear.com>

Email search by domain

<http://emailbydomain.com>

Auto manuals search

<http://auto.somanuals.com>

TV manuals search

<http://tv.somanuals.com>