

Ceiling mount bracket for high ceilings

**Description** This ceiling mount bracket is to be used when mounting home cinema projectors to the ceiling.

**Specifications** Vertical correction angle: +5°, -20°  
 Horizontal slant correction angle: ±10°  
 Horizontal turn correction angle: ±5°  
 Dimensions (W x H x D): 468 x 418-498 x 195 mm  
 (18-7/16" x 16-16/32"-19-19/32" x 7-11/16")  
 Weight: 3.0 kg (6.6 lbs)

Weights and dimensions shown are approximate. Specifications subject to change without notice.

<b>Parts</b>	Attachment plate .....	1	Safety fitting B .....	1
	Projector mount bracket .....	1	Safety fitting C .....	1
	Adjuster pole A .....	1	Washer-fitted hexagonal bolts (M6 x 12) .....	19
	Adjuster pole B .....	1	Washer-fitted screws (M4 x 10) .....	10
	Angle adjuster A .....	1	Wire rope .....	1
	Angle adjuster B .....	1	Flat wire clip .....	2
	Safety fitting A .....	1	Clamp tube .....	2

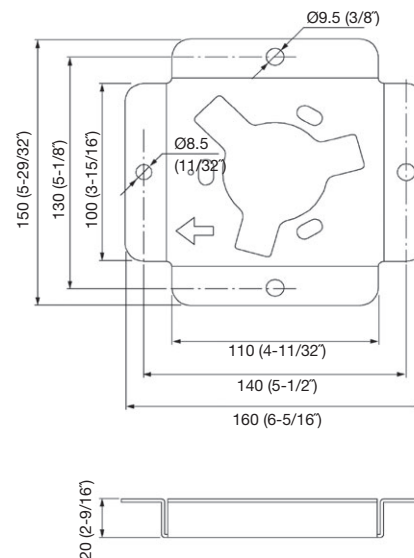
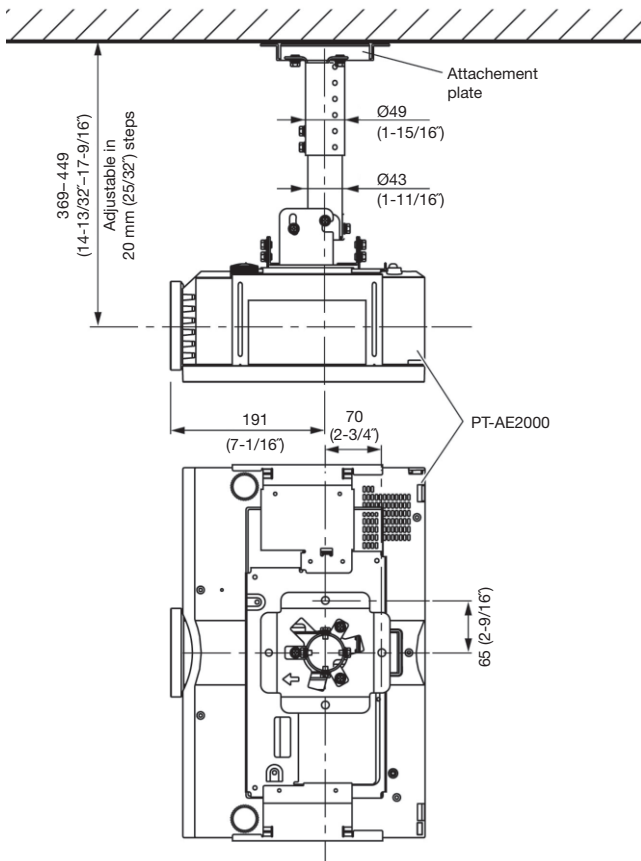
**Caution:**

- All mounting work must be done by a qualified technician.
- Ensure that the mounting (ceiling) area has sufficient strength.
- Read the enclosed mounting instructions carefully before starting the mounting procedure.
- When the system is no longer to be used, have a qualified technician promptly remove and dispose of it.
- Do not use a power screwdriver or impact screwdriver to tighten screws. A torque screwdriver or similar tool should be used.

**Dimensions**

Illustration shows the ET-PKE2000 attached to the PT-AE2000.

Attachment plate



unit : mm (inch)  
 NOTE: This illustration is not drawn to scale.

## Free Manuals Download Website

<http://myh66.com>

<http://usermanuals.us>

<http://www.somanuals.com>

<http://www.4manuals.cc>

<http://www.manual-lib.com>

<http://www.404manual.com>

<http://www.luxmanual.com>

<http://aubethermostatmanual.com>

Golf course search by state

<http://golfingnear.com>

Email search by domain

<http://emailbydomain.com>

Auto manuals search

<http://auto.somanuals.com>

TV manuals search

<http://tv.somanuals.com>