

Panasonic®

TV Tuner
Syntoniseur TV
Sintonizador de TV

CY-TUN153U



Operating Instructions
Manuel d'instructions
Manual de Instrucciones



- Please read these instructions (including “Limited Warranty” and “Customer Services Directory”) carefully before using this product and keep this manual for future reference.
- Prière de lire attentivement ces instructions (y compris la “Garantie limitée” et le “Répertoire des services à la clientèle”) avant d'utiliser ce produit et conserver ce mode d'emploi pour s'y référer ultérieurement.
- Lea con atención estas instrucciones antes de utilizar el producto y guarde este manual para poderlo consultar en el futuro.

Safety Information

1

- ❑ Read the operating instructions for the unit and all other components of your car audio system carefully before using the system. They contain instructions about how to use the system in a safe and effective manner. Panasonic assumes no responsibility for any problems resulting from failure to observe the instructions given in this manual.



Warning

This pictograph intends to alert you to the presence of important operating instructions. Failure to heed the instructions may result in severe injury or death.

- ❑ This manual uses pictographs to show you how to use the product safely and to alert you to potential dangers resulting from improper connections and operations. The meaning of the pictographs are explained below. It is important that you fully understand the meanings of the pictographs in order to use this manual and the system properly.



Caution

This pictograph intends to alert you to the presence of important operating instructions. Failure to heed the instructions may result in injury or material damage.

This unit cannot be operated alone.

This unit is designed for users to connect one or more system devices to Panasonic car audio/AV unit at the same time. For more details about safety information, refer to the operating instructions for the connected devices.

Warning

Observe the following warnings when using the unit.

- ❑ **The driver should neither watch the display nor operate the system while driving.**
Watching the display or operating the system will distract the driver from looking ahead of the vehicle and can cause accidents. Always stop the vehicle in a safe location and use the parking brake before watching the display or operating the system.
- ❑ **Use the proper power supply.**
This product is designed for operation with a negative grounded 12 V DC battery system. Never operate this product with other battery system, especially a 24 V DC battery system.
- ❑ **Keep a battery away from children to avoid the risk of accidents. If an infant ingests a battery, please seek immediate medical attention.**
Batteries and insulation film can be ingested, so keep them out of the reach of infants. If an infant ingests a battery or insulation film, please seek immediate medical attention.

- ❑ **Do not disassemble or modify the unit.**
Do not disassemble, modify the unit or attempt to repair the product yourself. If the product needs to be repaired, consult your dealer or an authorised Panasonic Servicenter.
- ❑ **Do not use the unit when it is out of order.**
If the unit is out of order (no power, no sound) or in an abnormal state (has foreign objects in it, is exposed to water, is smoking, or smells), turn it off immediately and consult your dealer.
- ❑ **The remote control unit should not lie about in the car.**
If the remote control unit lies about, it could fall on the floor while driving, get wedged under the brake pedal, and lead to a traffic accident.
- ❑ **Refer fuse replacement to qualified service personnel.**
When the fuse blows out, eliminate the cause and have it replaced with the fuse prescribed for this unit by a qualified service engineer. Incorrect replacement of the fuse may lead to smoke, fire, and damage to the product.
- ❑ **When you connect external devices (option), be sure to connect the parking brake (side brake) connection lead.**
- ❑ **To ensure safety, never attempt to preset channels while you are driving.**

2

Warning

Observe the following warnings when installing.

- ❑ **Disconnect the lead from the negative (–) battery terminal before installation.**
Wiring and installation with the negative (–) battery terminal connected may cause electrical shock and injury due to a short circuit.
Some cars equipped with the electrical safety system have specific procedures of battery terminal disconnection.
FAILURE TO FOLLOW THE PROCEDURE MAY LEAD TO THE UNINTENDED ACTIVATION OF THE ELECTRICAL SAFETY SYSTEM RESULTING IN DAMAGE TO THE VEHICLE AND PERSONAL INJURY OR DEATH.
- ❑ **Never use safety-related components for installation, grounding, and other such functions.**
Do not use safety-related vehicle components (fuel tank, brake, suspension, steering wheel, pedals, airbags, etc.) for wiring or fixing the product or its accessories.
- ❑ **Installing the product on the air bag cover or in a location where it interferes with airbag operation is prohibited.**
- ❑ **Check for piping, gasoline tank, electric wiring, and other items before installing the product.**
If you need to open a hole in the vehicle chassis to attach or wire the product, first check where the wire harness, gasoline tank, and electric wiring are located. Then open the hole from outside if possible.
- ❑ **Never have the power cord branched to supply other equipment with power.**
- ❑ **After installation and wiring, you should check the normal operation of other electrical equipment.**
The continuation of their using in abnormal conditions may cause fire, electrical shock or a traffic accident.
- ❑ **In the case of installation to an airbag-equipped car, confirm warnings and cautions of the vehicle manufacturer before installation.**
- ❑ **Make sure the leads do not interfere with driving or getting in and out of the vehicle.**
- ❑ **Insulate all exposed wires to prevent short circuiting.**
- ❑ **Never try to repair the unit by yourself because it is dangerous to do so.**

Safety Information (continued)

3

Caution

Observe the following cautions when using this unit.

- This unit is designed for use exclusively in automobiles.**
- Do not operate the unit for a prolonged period with the engine turned off.**
Operating the audio system for a long period of time with the engine turned off will drain the battery.
- Do not expose the unit to direct sunlight or excessive heat.**
Otherwise these will raise the interior temperature of the unit, and it may lead to smoke, fire, or other damage to the unit.
- Do not use the product where it will be exposed to water, moisture, or dust.**
Exposure of the unit to water, moisture, or dust may lead to smoke, fire, or other damage to the unit. Make especially sure that the unit does not get wet in car washes or on rainy days.

Observe the following cautions when installing.

- If your car is equipped with air bag and/or anti-theft systems specific procedures may be required for connection and disconnection of the battery to install this product.**
- FAILURE TO FOLLOW THE PROCEDURE MAY RESULT IN THE UNINTENDED DEPLOYMENT OF AIR BAGS OR ACTIVATION OF THE ANTI-THEFT SYSTEM RESULTING IN DAMAGE TO THE VEHICLE AND PERSONAL INJURY.**
- Refer wiring and installation to qualified service personnel.**
Installation of this unit requires special skills and experience. For maximum safety, have it installed by your dealer. Panasonic is not liable for any problems resulting from your own installation of the unit.
- Follow the instructions to install and wire the product.**
Not following the instructions to properly install and wire the product could cause an accident or fire.
- Take care not to damage the leads.**
When wiring, take care not to damage the leads. Prevent them from getting caught in the vehicle chassis, screws, and moving parts such as seat rails. Do not scratch, pull, bend or twist the leads. Do not run them near heat sources or place heavy objects on them. If leads must be run over sharp metal edges, protect the leads by winding them with vinyl tape or similar protection.

- Use the designated parts and tools for installation.**
Use the supplied or designated parts and appropriate tools to install the product. The use of parts other than those supplied or designated may result in internal damage to the unit. Faulty installation may lead to an accident, a malfunction or fire.
- Do not install the product where it is exposed to strong vibrations or is unstable.**
Avoid slanted or strongly curved surfaces for installation. If the installation is not stable, the unit may fall down while driving and this can lead to an accident or injury.
- Wear gloves for safety. Make sure that wiring is completed before installation.**
- To prevent damage to the unit, do not connect the power connector until the whole wiring is completed.**
- Never mount the unit in any of the following locations to avoid damage due to overheating;
 - Near the heater port.
 - Places like the dashboard or rear deck, where it may be exposed to direct sunlight.
- Do not mount the unit near the door, where it could be exposed to rain.
- You run the risk of interfering with the mounting or causing damage by drilling into the gas tank, a wiring harness, or other component.
- Note that if your car has a driving computer or a navigation computer, disconnecting the cable from the battery may clear the memory.
- Fit a vinyl cap over unused connection terminals, to prevent contact with metal parts etc.

Caution

Observe the following cautions when mounting the TV antennas.

- Attach the TV antenna so that it does not protrude. If the antenna element extends beyond the front and rear of the vehicle or car, it could hit eyes or heads of pedestrians and potentially cause an accident or an injury.
- Place the TV antenna so that it does not impede driving or visibility. If the antenna is in a position that impairs forward or backward visibility, it could interfere with driving and cause an accident.
- Do not disassemble or modify the TV antenna. Such modification could start smoke or fire.
- Fasten the TV antenna securely, so that it cannot drop off. If the screws are loose or the bond at the mounting is weak, the antenna could fall off, potentially causing damage to the car bodywork, accident or injury. Inspect it occasionally.
- Be sure to install the TV antenna on the inner side of the rear window.
- Be sure to connect the power lead of the TV antenna to ACC power DC 12 V.
- Keep the antenna away from the external amplifier and the rear speaker cord as much as possible.
- Be sure to connect the grounding plate into the TV antenna body. Otherwise, desensitization will occur.
- Avoid contacting the back of the TV antenna body on the adhesive surface.
- Do not re-adhere the back of the TV antenna body to avoid weakening adherability.
- Avoid adhering the TV antenna on the heating wire as much as possible.

Caution

Observe the following cautions when handling the batteries for the remote control unit.

Proper Use of the Batteries

- Use only specified battery (CR2025).
- Match the polarity of the battery with the (+) and (–) marks in the battery case.
- Replace a dead battery as soon as possible.
- Remove the battery from the remote control unit when not using it for an extended period of time.
- Insulate the battery (by placing them in a plastic bag or covering them with vinyl tape) before disposal or storage.
- Do not disassemble, recharge, heat or short the battery. Do not throw a battery into a fire or water.
- Follow local regulations when disposing of a battery.
- Improper use of a battery may cause overheating, an explosion or ignition, resulting in injury or a fire.

In case of battery leakage

- Thoroughly wipe the battery liquid off the battery case and insert new battery.
- If any part of your body or clothing comes into contact with battery liquid, wash it with plenty of water.
- If battery liquid comes into contact with your eyes, wash them with plenty of water and get immediate medical attention.

4

Safety Information (continued)

5

Please follow the laws and regulations of your province or country for installation of the unit.

The following applies only in the U.S.A.

Part 15 of the FCC Rules

FCC Warning:

Any unauthorized changes or modifications to this equipment would void the user's authority to operate this device.

Connection of Parking (Side) Brake Connecting Lead

WARNING
VIDEO VIEWING IS NOT
AVAILABLE WHILE DRIVING.

This system is designated so that you cannot see TV or motion pictures while you are driving.

- Park your car in a safe and pull the parking brake (side brake) lever before watching the monitor.
- If a rear monitor (option) is connected to this unit, you can continually see the rear monitor image even if the parking brake (side brake) has not been pulled on.

Warning

When you connect external devices (option), be sure to connect the parking brake (side brake) connection lead. (page 23)

Note:

- Only English is displayed on the OSD screen.

This unit is not compatible with digital television broadcasts. (page 34)
For more information on digital television broadcasts, refer to publications from national governments and television stations.

Features

Panasonic welcomes you to our constantly growing family of electronic products owners. We endeavor to give you the advantages of precise electronic and mechanical engineering, manufactured with carefully selected components, and assembled by people who are proud of the reputation their work has built for our company. We know this product will bring you many hours of enjoyments, and after you discover the quality, value and reliability we have built into it, you too will be proud to be a member of our family.

This unit cannot be operated alone.

This unit is designed for users to connect one or more system devices to Panasonic car audio/AV unit at the same time.

Head Unit (option):

CQ-VD7003U, CQ-VD6503U, etc.

Can be combines with Panasonic Expansion Module (CY-EM100U, option) and other optional devices.

Receiving NTSC video system only

4ch Diversity TV Antenna system

12 Preset channels for each bands

Favorite channels can be written after you have set the preset channel once.

Channels can also be deleted from the presets when no longer required.

Note:

- Market conditions regarding optional devices vary with countries and regions. For further information, consult your dealer.

Contents

English	2	6
Français	36	
Español	70	

Safety Information	2
Features	7
Customer Services Directory	8
Limited Warranty	9

Preparation	10
Components	11
Diversity TV Antenna	12
DIVER (Diversity) Antenna Setting	

Recommended System and Operation	13
Names of Controls and Terminals..	16

DIVER Setting	17
Basic TV Operation	18
Channel Preset	19

Installation	20
Electrical Connections	26

Troubleshooting	32
Tuner for Analog TV only	34
Specifications	35

Customer Services Directory

U.S.A.

7

Obtain Product Information and Operating Assistance; locate your nearest Dealer or Servicenter; purchase Parts and Accessories; or make Customer Service and Literature requests by visiting our Web Site at:

<http://www.panasonic.com/support>

or, contact us via the web at:

<http://www.panasonic.com/contactinfo>

You may also contact us directly at:

1-800-211-PANA (7262),

Monday-Friday 9 am-9 pm;

Saturday-Sunday 10 am-7 pm, EST.

For hearing or speech impaired TTY users,
TTY: 1-877-833-8855

Accessory Purchases:

Purchase Parts, Accessories and Instruction Books online for all Panasonic Products by visiting our Web Site at:

<http://www.pasc.panasonic.com>

or, send your request by E-mail to:

npcparts@panasonic.com

You may also contact us directly at:

1-800-332-5368 (Phone) 1-800-237-9080 (Fax Only)

(Monday-Friday 9 am to 8 pm, EST.)

Panasonic Services Company

20421 84th Avenue South, Kent, WA 98032

(We accept Visa, MasterCard, Discover Card, American Express, and Personal Checks)

For hearing or speech impaired TTY users,
TTY: 1-886-605-1277

Service in Puerto Rico

Panasonic Puerto Rico, Inc.

Panasonic Sales Company

Factory Servicenter:

Ave. 65 de infantería, Km. 9.5, San Gabriel Industrial Park, Carolina, Puerto Rico 00985

Phone (787) 750-4300, Fax (787) 768-2910

CANADA

WARRANTY SERVICE

FOR PRODUCT OPERATION ASSISTANCE, please contact:

Our Customer Care Centre:

Telephone #: (905) 624-5505

1-800 #: 1-800-561-5505

Fax #: (905) 238-2360

Email link: "Contact Us" on www.panasonic.ca

FOR PRODUCT REPAIRS, please locate your nearest

Authorized Servicentre at www.panasonic.ca:

Link : "Servicentres™ locator" under "Customer support"

Panasonic Factory Service:

Vancouver

Panasonic Canada Inc.

12111 Riverside Way

Richmond, BC V6W 1K8

Tel: (604) 278-4211

Fax: (604) 278-5627

Toronto

Panasonic Canada Inc.

5770 Ambler Drive

Mississauga, ON L4W 2T3

Tel: (905) 624-8447

Fax: (905) 238-2418

IF YOU SHIP THE PRODUCT TO A SERVICENTRE

Carefully pack and send prepaid, adequately insured and preferably in the original carton.

Include details of the defect claimed, and proof of date of original purchase.

Limited Warranty

U.S.A.

PANASONIC CONSUMER ELECTRONICS COMPANY,
DIVISION OF PANASONIC CORPORATION OF AMERICA
One Panasonic Way, Secaucus, New Jersey 07094

PANASONIC SALES COMPANY,
DIVISION OF PANASONIC PUERTO RICO, INC.
Ave. 65 de infantería, Km. 9.5, San Gabriel Industrial Park
Carolina, Puerto Rico 00985

PANASONIC AUTO PRODUCTS LIMITED WARRANTY

LIMITED WARRANTY COVERAGE

If your product does not work properly because of a defects in materials and workmanship.

Panasonic Consumer Electronics Company or Panasonic Sales Company (collectively referred to as "the warrantor") will, for the length of the period indicated in the chart below, which starts with the date of original purchase ("warranty period"), at its option either (a) repair your product with new or refurbished parts, or (b) replace it with a new or refurbished product. The decision to repair or replace will be made by the warrantor.

Categories	Parts	Labor
Audio Components (except items listed below)	One (1) Year	One (1) Year
MXE Series Audio Components (except items listed below)	Two (2) Years	Two (2) Years
Speakers	One (1) Year	Not Applicable
Accessories (in exchange for defective items)	Ninety (90) Days	Not Applicable

During the "Labor" warranty period, there will be no charge for labor.

During the "Parts" warranty period, there will be no charge for parts.

You must carry in or mail in your product during the warranty period.

If non-rechargeable batteries are included, they are not warranted. This warranty only applies to products purchased and serviced in the United States or Puerto Rico. This warranty is extended only to the original purchaser of a new product which was not sold "as is". A purchase receipt or other proof of the original purchase date is required for warranty service.

CARRY-IN OR MAIL-IN SERVICE

For Carry-In or Mail-In Service in the United States, call 1-800-211-PANA (7262) or visit

Panasonic Web Site: <http://www.panasonic.com>

For assistance in Puerto Rico, call Panasonic Sales Company (787)-750-4300 or fax (787)-768-2910.

LIMITED WARRANTY LIMITS AND EXCLUSIONS

This warranty ONLY COVERS failures due to defects in materials and workmanship, and DOES NOT COVER normal wear and tear or cosmetic damage. The warranty ALSO DOES NOT COVER damages which occurred during shipment, failures which are caused by products not supplied by the warrantor, failures which result from accident, misuse, abuse, neglect, mishandling, misapplication, alteration, faulty installation, set-up adjustment, maladjustment of consumer control, improper maintenance, improper antenna, inadequate signal reception or pickup, power line surge, improper voltage supply, lightning, modification, commercial use (such as use in hotels, offices, restaurants, or other business uses) or rental use of the product, or service by anyone other than the technician form Factory Servicenter or other authorized service centers, or damage that is attributable to acts of God.

THERE ARE NO EXPRESS WARRANTIES EXCEPT AS LISTED UNDER "LIMITED WARRANTY COVERAGE". THE WARRANTOR IS NOT LIABLE FOR INCIDENTAL OR CONSEQUENTIAL DAMAGES RESULTING FROM THE USE OF THIS PRODUCT, OR ARISING OUT OF ANY BREACH OF THIS WARRANTY. (As examples, this excludes damages for lost time, cost of having someone remove or re-install an installed unit if applicable, travel to and from the sevicer, and loss of media, date or other memory contents. The items listed are not exclusive, but are for illustration only.)

ALL EXPRESS AND IMPLIED WARRANTIES, INCLUDING THE WARRANTY OF MERCHANTABILITY, ARE LIMITED TO THE PERIOD OF THE LIMITED WARRANTY.

Some states do not allow the exclusion or limitation of incidental or consequential damages, or limitations on how long an implied warranty lasts, so the exclusions may not apply to you.

This warranty gives you specific legal rights and you may also have other rights which vary from state to state. If a problem with this product develops during or after the warranty period, you may contact your dealer or Servicenter. If the problem is not handled to your satisfaction, then write to the warrantor's Consumer Affairs Department at the addresses of the warrantor.

PARTS AND SERVICE WHICH ARE NOT COVERED BY THIS LIMITED WARRANTY ARE YOUR RESPONSIBILITY.

Customer's Record

Model

No. _____

Serial

No. _____

Dealer's

No. _____

Code

No. _____

Dealer's

Address _____

Date of

Purchase _____

CANADA

Panasonic Canada Inc.

5770 Ambler Drive, Mississauga Ontario L4W 2T3

PANASONIC PRODUCT LIMITED WARRANTY

Panasonic Canada Inc. warrants this product to be free from defects in materials and workmanship and agrees to remedy any such defect for a period as stated below from the date of original purchase.

CAR AUDIO PRODUCT – ONE (1) YEAR, PARTS AND LABOUR

(The labour to install or remove the product is not warranted)

LIMITATIONS AND EXCLUSIONS

This warranty does not apply to products purchased outside Canada or to any product which has been improperly installed, subjected to usage for which the product was not designed, misused or abused, damaged during shipping, or which has been altered or repaired in any way that affects the reliability or detracts from the performance, nor does it cover any product which is used commercially. Dry cell batteries are also excluded from coverage under this warranty.

This warranty is extended to the original end user purchaser only. A purchase receipt or other proof of the original purchase date is required before warranty service is performed.

THIS EXPRESS, LIMITED WARRANTY IS IN LIEU OF ALL OTHER WARRANTIES, EXPRESS OR IMPLIED, INCLUDING ANY IMPLIED WARRANTIES OF MERCHANTABILITY AND FITNESS FOR A PARTICULAR PURPOSE.

IN NO EVENT WILL PANASONIC CANADA INC. BE LIABLE FOR ANY SPECIAL, INDIRECT OR CONSEQUENTIAL DAMAGES.

In certain instances, some jurisdictions do not allow the exclusion or limitation of incidental or consequential damages, or the exclusion of implied warranties, so the above limitations and exclusions may not be applicable.

8

Settings

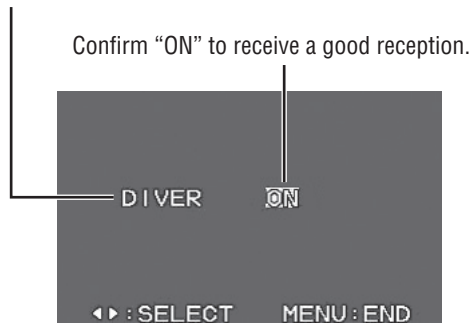
Before settings:

- 1 Install and connect the Head Unit, optional devices and this unit. (page 20–31)
- 2 Mount the TV antenna. (page 24, 26)
- 3 Turn the power on.
- 4 Set the DIVER (Diversity) Antenna to "ON".
- 5 Confirm the electrical connection and video signal of the connected devices.

DIVER (Diversity) Antenna Setting (page 12)

Diversity TV Antenna:

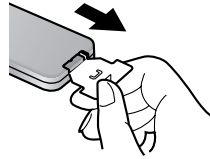
Of the two antennae connected to the system, the one with the best reception is automatically selected for TV reception. Turning DIVER (Diversity) setting to "ON" reduces noise.



Remote Control Unit

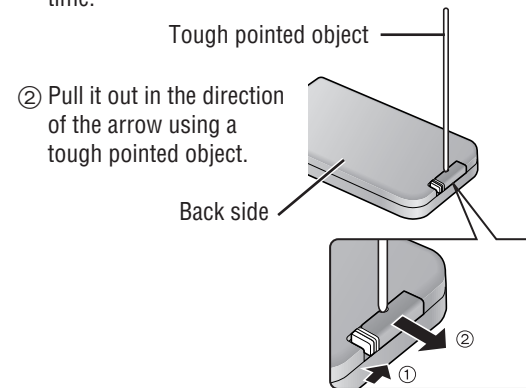
Preparation Before Initial Use

Pull the insulation film out from the backside of remote control gently.

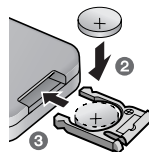


Battery Replacement

- 1 Remove the battery holder with the remote control unit placed on a flat surface.
 - 1 Stick your thumbnail into the groove, and push the holder in the direction of the arrow at the same time.



- 2 Put a battery in the case with (+) side facing up.
- 3 Put the case back.



Note:

- Battery Information:
Battery Type: Panasonic lithium battery (CR2025)
(Included in the remote control)
Battery Life: Approximately 6 months under normal use
(at room temperature)

Warning

- Keep a battery away from children to avoid the risk of accidents. If an infant ingests a battery, please seek immediate medical attention.

Caution

- Remove and dispose of an old battery immediately.
- Do not disassemble, heat or short a battery. Do not throw a battery into a fire or water.
- Follow local regulations when disposing of a battery.
- Improper use of a battery may cause overheating, an explosion or ignition, resulting in injury or a fire.

Item	Diagram	Qty.
TV Tuner		1
TV Antenna (YEAA12692A (L)/ YEAA12693A (R)) (L/R): from the inner side of the car.		1 set
Remote Control Unit (EUR7641040)		1
Lithium Battery for Remote Control Unit (Included in the remote control) <CR2025/1F>		1
Operating Instructions (YFM284C547ZA)		1
Owners Information Card		1
Installation Hardware (screws, cords, etc.) (page 21)		

Note:

- The number in parenthesis underneath each accessory part name is the part number for maintenance and service.
- Accessories and their parts numbers are subject to modification without prior notice due to improvements.

Diversity TV Antenna

11

Diversity TV Antenna:

Of the two antennae connected to the system, the one with the best reception is automatically selected for TV reception. Turning DIVER (Diversity) setting to "ON" reduces noise.

To make effective use of this diversity function:

- 1 Connect both two TV antennae provided.
- 2 Turn DIVER (Diversity) setting to "ON".

Note:

- If only one is connected, the diversity function has no effect.

To use the two TV antennae provided

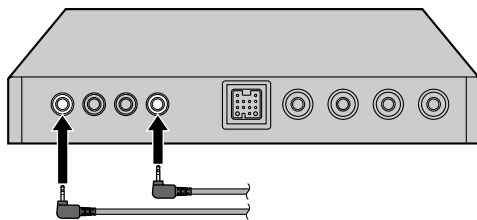
- 1 Plug the four terminals for the two antennae into the tuner. Combine the tuner TV terminals and the antenna terminals as shown on page 26.
- 2 Make sure the DIVER (Diversity) setting is "ON".

To use the two optional antennae

Two antennae must be prepared.

- 1 Plug the four terminals for the two antennae into the tuner. Combine the tuner TV terminals and the antenna terminals as shown on page 26.

How to plug the antennae in when there is only one antenna terminal.



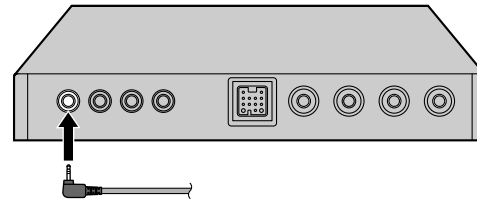
- 2 Make sure the DIVER (Diversity) setting is "ON".

Note:

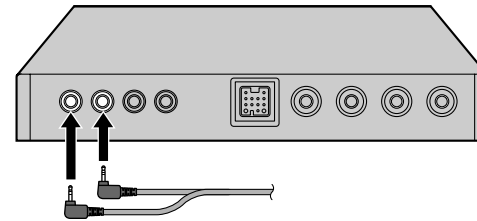
If there is no alternative but to use only one optional TV antenna, the diversity function has no effect.

1. The way to plug the antennae varies with the number of antenna terminals.

How to plug the antennae in when there is only one antenna terminal.



How to plug the antennae in when there are two terminals.



2. Make sure the DIVER (Diversity) setting is "OFF".

DIVER (Diversity) Antenna Setting

Confirm "ON" to receive a good reception.

Default: ON

Setting: ON/OFF

- 1 Press [PWR] (Power).
- 2 Press [MENU].



- 3 Press [<] or [>] to select "ON" or "OFF".
- 4 Press [ENT] (ENTER) or [MENU] to set and return to the previous display.

Recommended System and Operation

12

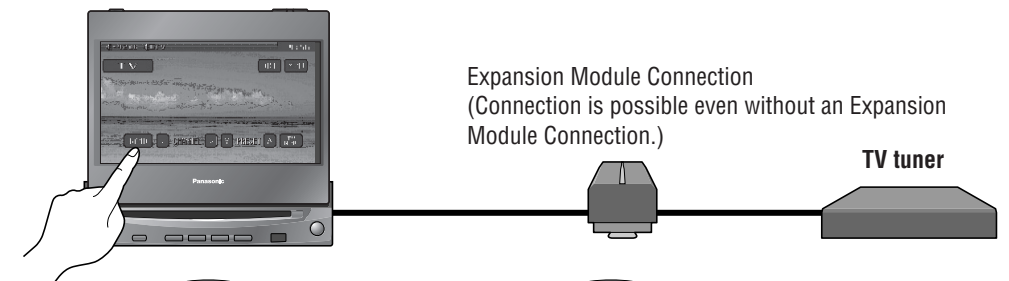
We recommend using this TV tuner with the Panasonic Head Unit below.

For details on the head unit and head unit remote control operations, refer to the operating instructions for the Head Unit.

Head Unit with Touch Panel Control (CQ-VD7003U, CQ-VD6503U), Expansion Module (CY-EM100U) and TV Tuner

Use the Head Unit touch panel to operate the TV tuner.

For details on the touch panel and remote control operations, refer to the chapter on TV operations in the operating instructions for the Head Unit.



Expansion Module Connection
(Connection is possible even without an Expansion Module Connection.)

TV tuner



TV tuner remote control unit:
Use this remote control unit for TV tuner setup operations (DIVER (Diversity) Antenna Setting).



Head Unit remote control unit:
This remote control unit enables you to adjust the volume, switch sources, change TV channels, and configure the auto preset memory setting.

For connection configurations other than the recommended connection configurations above, refer to the following pages.

- Head Unit (CQ-VD7001U): Page 30
 - Rear Monitor (CY-VHD9401U): Page 31
- The remote control units supplied with the Head Unit and Rear Monitor cannot be used for TV tuner operations. (Except for adjusting the volume, switching sources, etc.)

Combination of this TV tuner with the non-Panasonic Head Unit (in-car audio system with a monitor/AV unit):

It will not be possible to operate this TV tuner with a remote control unit, or that of the non-Panasonic Head Unit.

Recommended System and Operation

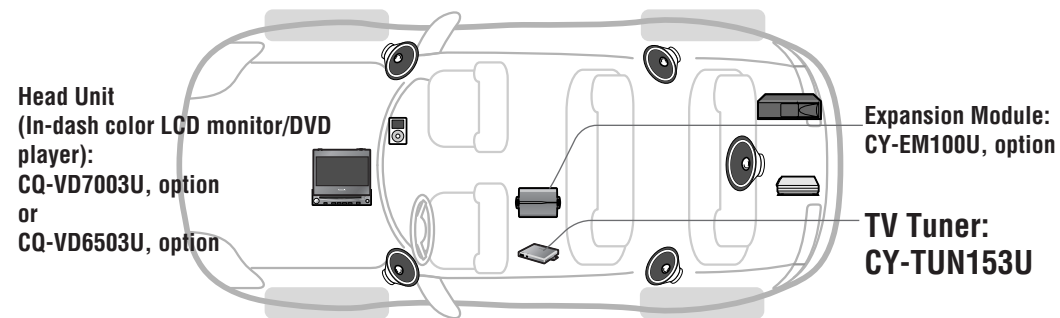
This unit cannot be operated alone.

13

This unit is designed for users to connect one or more system devices to Panasonic car audio/AV unit at the same time. For more details, refer to the operating instructions for the connected devices.

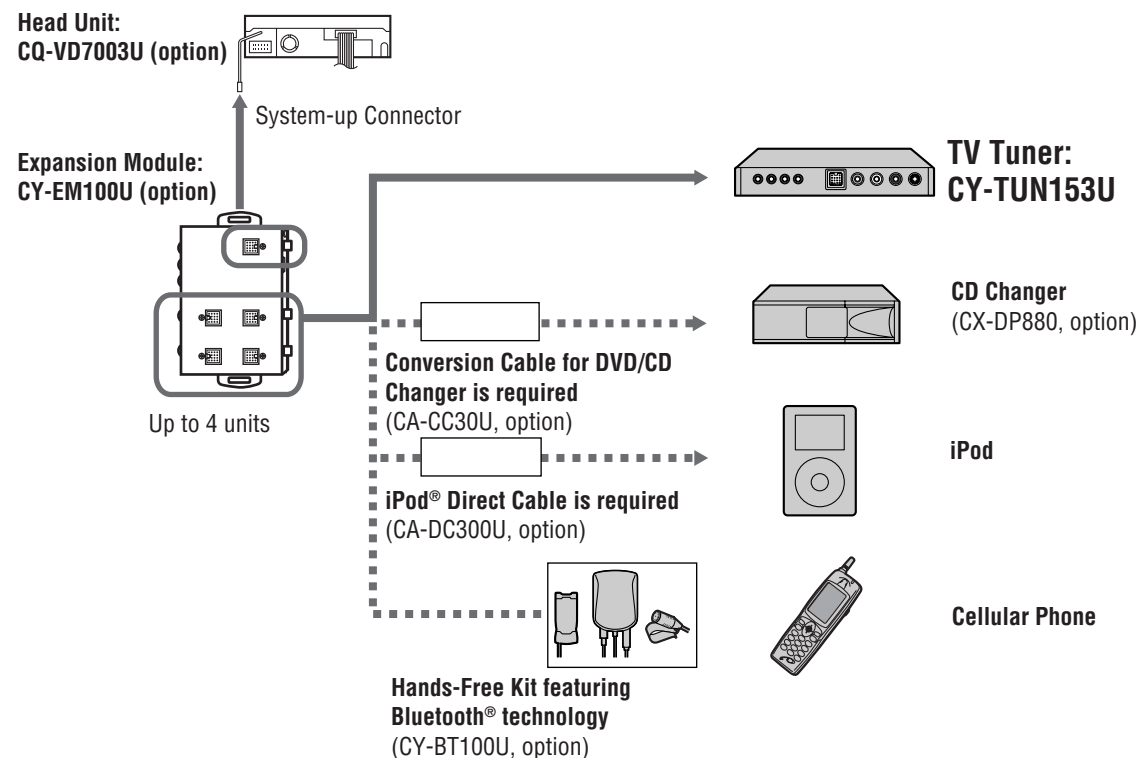
System Connection Example

Head Unit with Touch Panel Control (CQ-VD7003U, CQ-VD6503U), Expansion Module (CY-EM100U) and TV Tuner



Note:

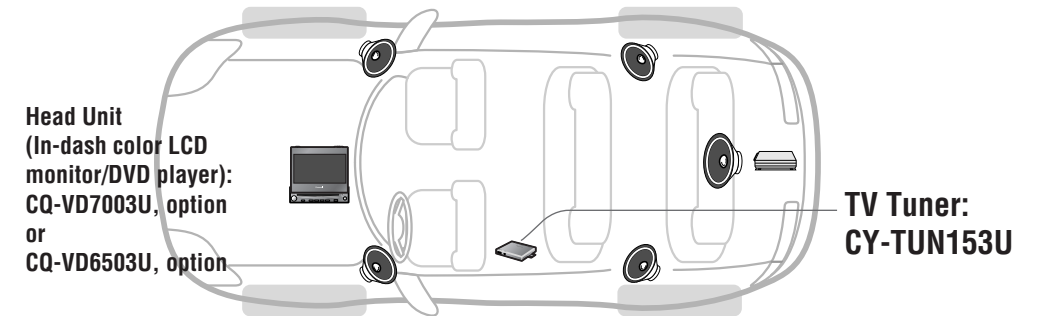
- Connect this unit to the Expansion Module (CY-EM100U, option) with the Head Unit/Expansion Module Connecting Cable and RCA cord (video) (supplied). (page 27)



(continued)

Head Unit with Touch Panel Control (CQ-VD7003U, CQ-VD6503U) and TV Tuner

14



Note:

- Connect this unit to the Head Unit (CQ-VD7003U, CQ-VD6503U, option) with the Head Unit/Expansion Module Connecting Cable and RCA cord (video) (supplied). (page 28, 29)

Bluetooth®

The Bluetooth word mark and logo are owned by the Bluetooth SIG, Inc and any use of such marks by Matsushita Electric Industrial Co., Ltd. is under license. Other trademarks and trade name are those of their respective owners.

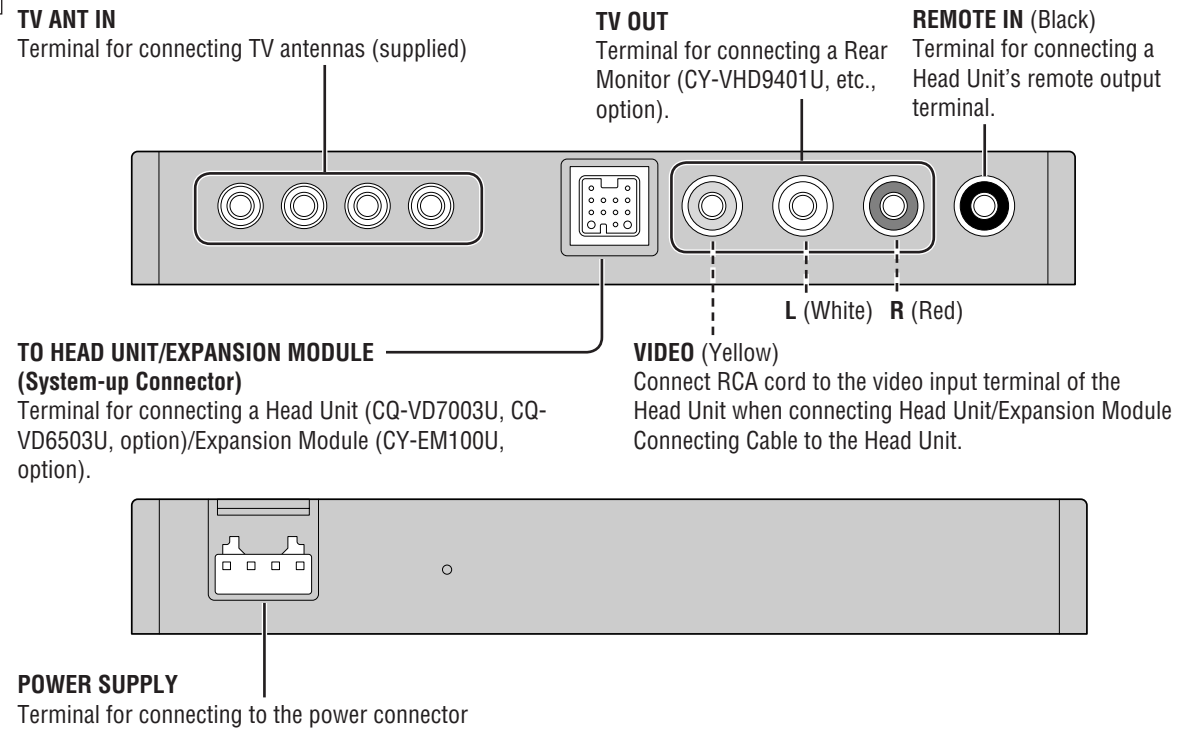
iPod®

iPod is a trademarks of Apple Computer, Inc., registered in the U.S. and other countries.

Names of Controls and Terminals

TV Tuner Unit

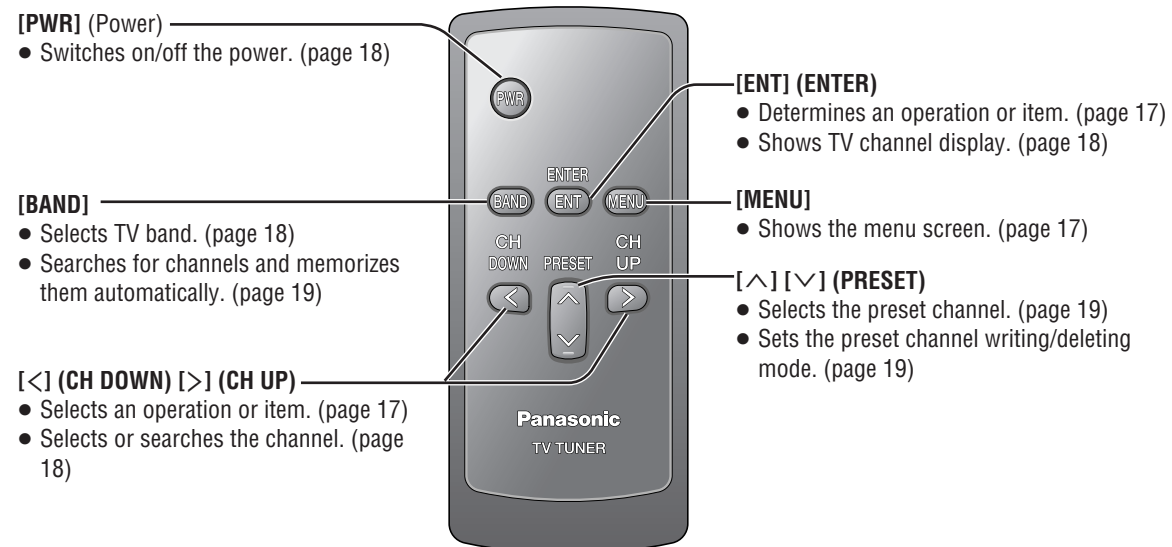
15



Remote Control Unit

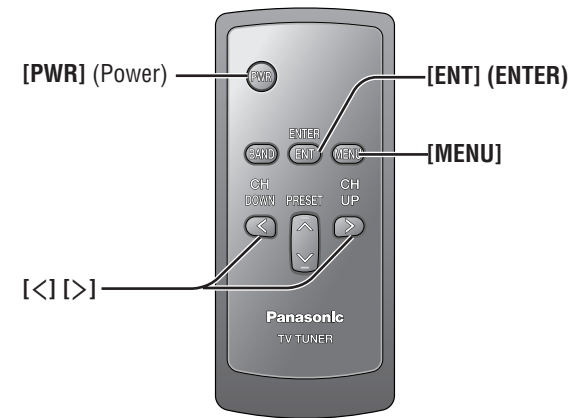
Note:

- Point the emitter of the remote controller at the Head Unit or the monitor.



DIVER Setting

Refer to page 12 about the DIVER (Diversity) Antenna setting.
Read the explanation on this page as required.



DIVER (Diversity) Antenna Setting

16

Diversity TV Antenna:

Of the two antennae connected to the system, the one with the best reception is automatically selected for TV reception. Turning DIVER (Diversity) setting to "ON" reduces noise.

Confirm "ON" to receive a good reception.
Default: ON
Setting: ON/OFF

- Press **[PWR]** (Power).
- Press **[MENU]**.



- Press **[<]** or **[>]** to select "ON" or "OFF".
- Press **[ENT] (ENTER)** or **[MENU]** to set and return to the previous display.

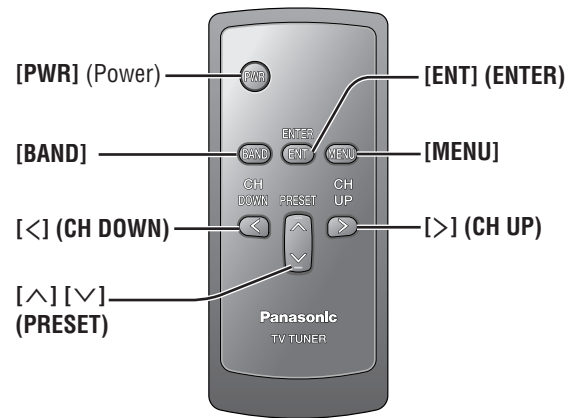
Note:

- Only English is displayed on the OSD screen.

Basic TV Operation

17

Refer to the CQ-VD7003U and CQ-VD6503U instruction manuals for information on TV operation on the CQ-VD7003U and CQ-VD6503U touch panel and remote control.



Power

Turn your car's ignition key to the ACC or ON position.
ON: Press [PWR] (Power).
OFF: Press [PWR] (Power) again.

Note:

- When changing the source to TV tuner on Head Unit (CQ-VD7003U, CQ-VD6503U, option), the power is turned on automatically.

Band Selection

Press [BAND].

TV1 ↔ TV2

Note:

- TV2 is provided to allow more preset channels in memory.

Channel Selection

Press [<] (CH DOWN) or [>] (CH UP).

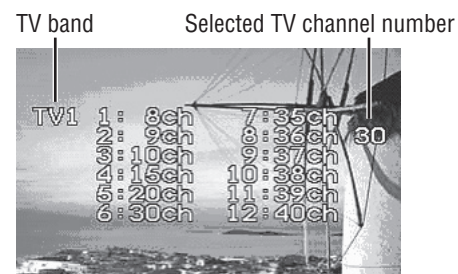
[>] (CH UP): Higher channel number
 [<] (CH DOWN): Lower channel number

Press and hold [<] (CH DOWN) or [>] (CH UP) for more than 0.5 seconds, then release it. Seeking will start.

TV Channel Display

Press [ENT] (ENTER).
 Press [ENT] (ENTER) again to display off.

Example: When preset channel is not set.



Note:

- Only English is displayed on the OSD screen.
- Background of the display becomes blue when the unit cannot get a good reception on the TV.

Channel Preset

18

Warning

- To ensure safety, never attempt to preset channels while you are driving.

- Up to 12 channels can be stored in each of the TV1 and TV2 band selections.
- TV2 is provided to allow more preset channels in memory. Channels that could not be placed in memory on the Band TV1 can be placed on the Band TV2.
- If Band TV1 is sufficient to hold all desired channels, they should usually be preset to that band.

Note:

- New channels overwrite existing saved stations after these procedures.

Auto Preset Channel Memory

With this operation, channels with good receiving conditions can be automatically stored in the preset memory.

- Press [BAND] to select the TV band.
- Press and hold [BAND] for more than 2 seconds. 12 channels with first to 12th highest in signal strength will be preset to each band. (They are listed in order, from the earliest channel number.)

Preset Channel Calling

- Press [BAND] to select the TV band.
- Press [^] or [v] (PRESET).



Selected preset channel number

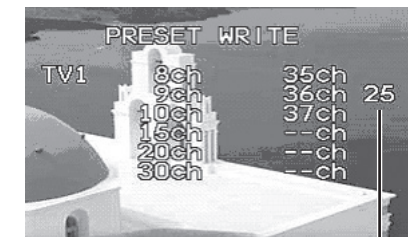
Writing Preset Channel (PRESET WRITE)

Favorite channels can be written after you have set the preset channel once.

Example:

The 25 channel is written in the TV1 preset channel list.

- Press and hold [^] (PRESET) for more than 2 seconds. Preset channel writing mode display appears.
- Press [<] (CH DOWN) or [>] (CH UP) to select channel you want to write.



TV channel you want to write

- Press [ENT] (ENTER) or [BAND] to set.
- Press [MENU] to exit the preset channel writing mode.

Deleting Preset Channel (PRESET DELETE)

Channels can also be deleted from the presets when no longer required.

Example:

The 30 channel is deleted in the TV1 preset channel list.

- Press and hold [v] (PRESET) for more than 2 seconds. Preset channel deleting mode display appears and preset 1 channel is received.
- Press [^] or [v] (PRESET) to select preset channel you want to delete.



Preset channel you want to delete

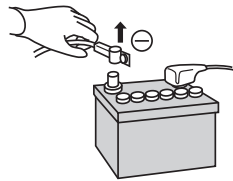
- Press [ENT] (ENTER) or [BAND] to set.
- Press [MENU] to exit the preset channel deleting mode.

Preparation

Caution

- Please follow the laws and regulations of your province or country for installation of the unit.
- We strongly recommended you to wear gloves for installation work to protect yourself from injuries.

- Disconnect the cable from the negative (–) battery terminal (see caution below).

**Caution**

- If your car is equipped with air bag and/or anti-theft systems specific procedures may be required for connection and disconnection of the battery to install this product.
- Before attempting installation of this electronic component contact your car dealer or manufacturer to determine the required procedure and strictly follow their instructions.
- FAILURE TO FOLLOW THE PROCEDURE MAY RESULT IN THE UNINTENDED DEPLOYMENT OF AIR BAGS OR ACTIVATION OF THE ANTI-THEFT SYSTEM RESULTING IN DAMAGE TO THE VEHICLE AND PERSONAL INJURY.

Installation Precautions

This unit should be installed by a professional installer. In case of difficulty, please consult your nearest authorized Panasonic Servicenter.

- 1 This system is to be used only in a 12 V DC battery system (car) with negative ground.
- 2 Follow the electrical connections carefully (page 26). Failure to do so may result in damage to the unit.
- 3 Connect the power lead after all other connections are made.
- 4 Be sure to connect the battery lead (yellow) to the positive terminal (+) of the battery or fuse block (BAT) terminal.
- 5 Insulate all exposed wires to prevent short circuiting.
- 6 Secure all loose wires after installing the unit.
- 7 Please carefully read the operating instructions of the respective equipment before connecting it to this unit.

Installation Hardware
(For Installation)

No.	Item	Diagram	Qty.
①	Tapping Screw ($\phi 5 \times 16$ mm) (XTT5+16AFZ)		4
②	Velcro Tape (YFX994C135ZA)		2
③	Antenna Clamp		4
④	Cord Clamp (for antenna)		4

(YEP9FZ3041)

Installation Hardware
(For Wiring)

No.	Item	Diagram	Qty.
⑤	Power Connector (YEAJ012884)		1
⑥	Head Unit/Expansion Module Connecting Cable (3 m) (YEAJ071812) (for Expansion Module)		1
⑦	RCA Cord (3 m) (YEAJ071819) (for video connector)		1
⑧	RCA Cord (3 m) (YEAJ071820) (for audio connector)		1
⑨	RCA Cord (3 m) (YEAJ071821) (for remote control connector)		1
⑩	Clip Connector (YEAT034C012)		1

Note:

- The number in parenthesis underneath each accessory part name is the part number for maintenance and service.
- Accessories and their parts numbers are subject to modification without prior notice due to improvements.
- Use the supplied screws for installation exclusively. In case of losing any of them, please order the specific screw.

Mounting the Tuner Unit

⚠ Caution

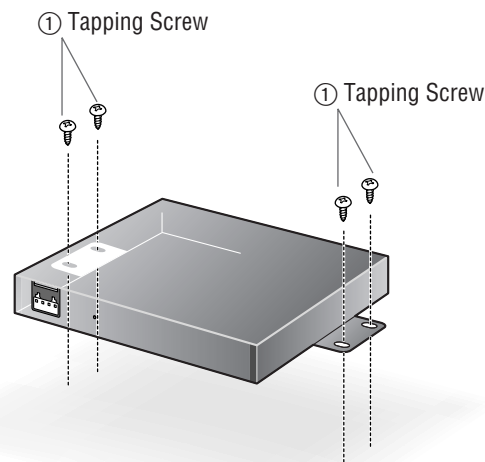
- Never mount the unit in any of the following locations to avoid damage due to overheating;
 - Near the heater port.
 - Places like the dashboard or rear deck, where it may be exposed to direct sunlight.
- Do not mount the unit near the door, where it could be exposed to rain.
- You run the risk of interfering with the mounting or causing damage by drilling into the gas tank, a wiring harness, or other component.

For mounting the unit on inclined surface, Velcro tape fixation is too weak, and screw fixation is recommended.

Note:

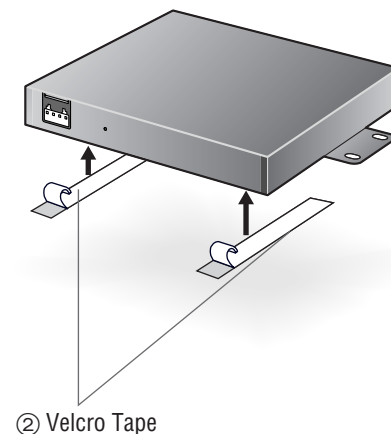
- Apply an anticorrosive to the holes and tapping screws.
- Keep a safe distance between the unit and other electronic equipment.

Unit Installation by using the Tapping Screw ①. (Recommended)



Mount the unit on the car carpet by using Velcro tape ②.

Attach the seal side of the Velcro Tape ② to the unit, then mount the unit on the carpet.



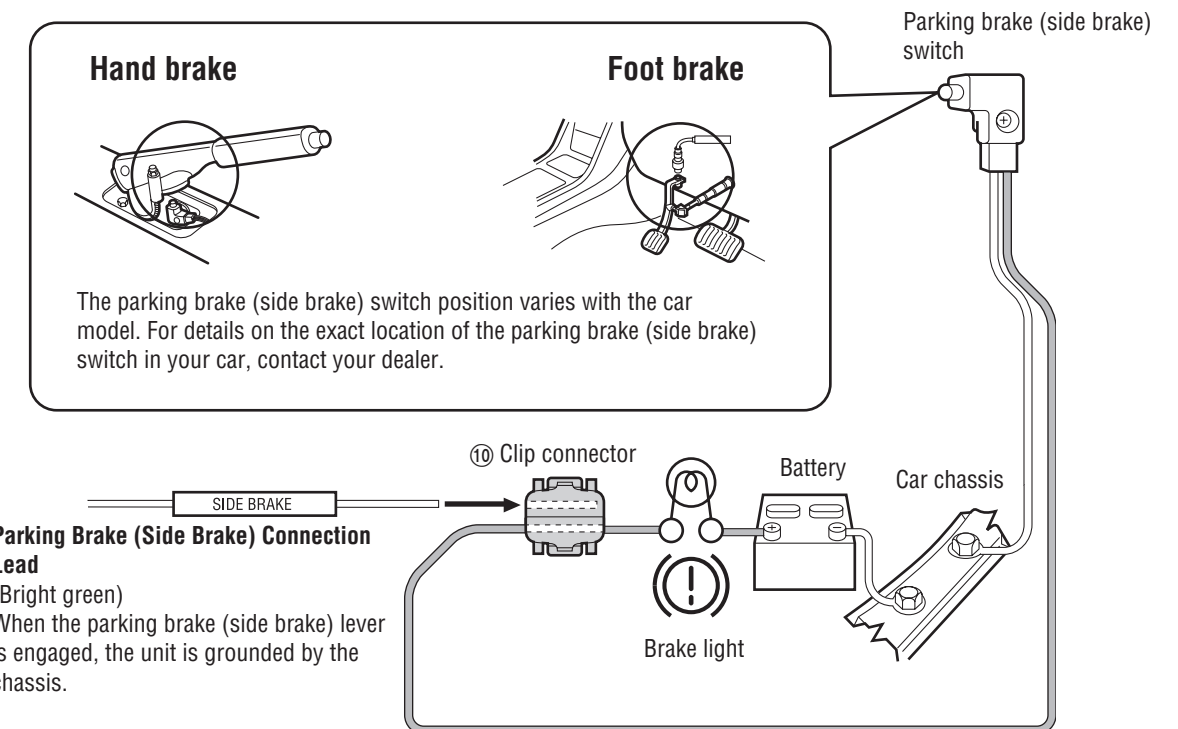
Note:

- Some carpet materials may not be suitable for this mounting method. In this case, please contact your nearest Panasonic Servicenter for installation.

Connecting the Parking Brake (Side Brake) Connection Lead

⚠ Caution

- For safety, be sure to ask your nearest professional installer to do this connection.



Parking Brake (Side Brake) Connection Lead

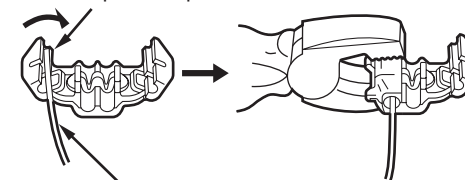
(Bright green)

When the parking brake (side brake) lever is engaged, the unit is grounded by the chassis.

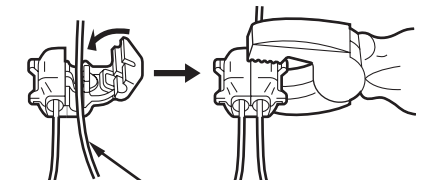
- 1 Attach a Clip Connector ⑩ to the end of the parking brake (side brake) connection lead.

- 2 The Clip Connector ⑩ is connected to the power source side lead of the parking brake (side brake) lever.

Come up to this point.



Parking Brake (Side Brake) Connection Lead
(Bright green)



Power source side lead

Mounting the TV Antenna

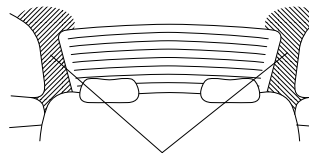
23

⚠ Caution

- Be sure to install the TV antenna on the inner side of the rear window.
- Be sure to connect the power lead of the TV antenna to ACC power DC 12 V.
- Keep the antenna away from the external amplifier and the rear speaker cord as much as possible.

Preparations:

Remove the upholstery at both sides of the rear window to establish a ground.

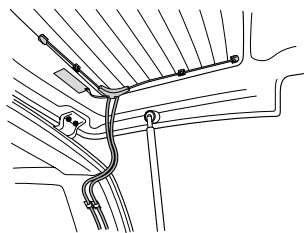


Remove the upholstery.

Observe the following to enhance adherability.

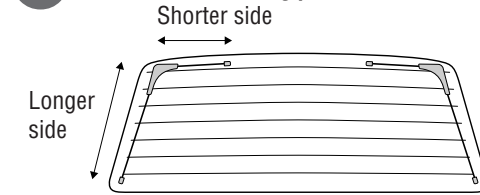
- Wipe the inner surface of the rear window with a wet and soft cloth along the heating wire. But do not leave water droplets on the glass.
- When the outside-air temperature is less than 20°C (68°F), switch on the rear window defogger or the car heater to warm the surface of the rear window for approx. 5 minutes.

For a hatchback type:

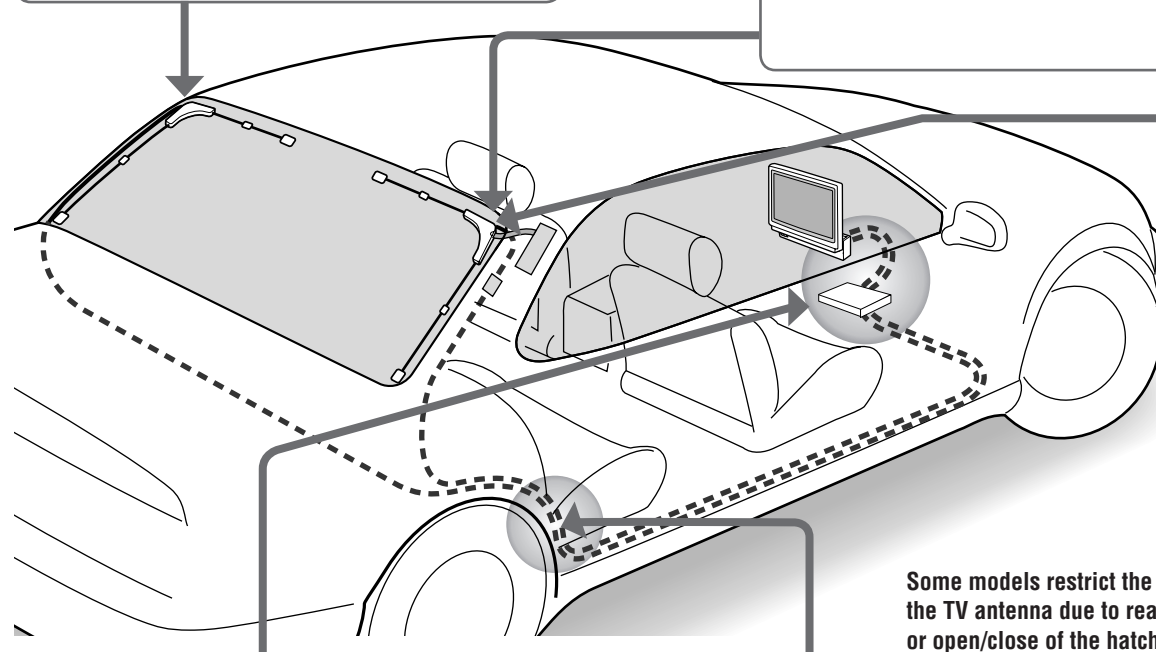


Stick the grounding plate skillfully and hold the loose antenna element with the Antenna Clamp ③ so that the element will not become caught in the hatchback door. Adjust the cord length so that the cord does not interfere with the movement of the hatchback door, and secure the cord with Cord Clamp ④.

1 Straighten the bent antenna element. Confirm the adhering positions.

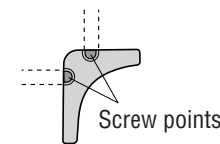


Affix the antenna temporarily with adhesive tape after confirming the antenna position.



2

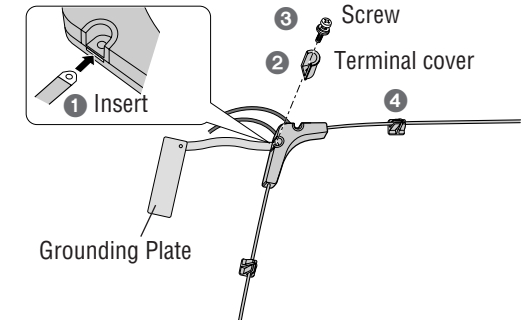
Insert the grounding plate into the antenna body and hold the antenna element with the Antenna Clamp ③.



Select a suitable screw point for the grounding plate to adhere to a metal part and remove the screw and the terminal cover.

Follow the steps below to install the grounding plate.

- ① Insert the grounding plate into the antenna body.
- ② Hold the grounding plate with the terminal cover.
- ③ Screw the grounding plate.
- ④ Hold the antenna element with the Antenna Clamp ③.



⚠ Caution

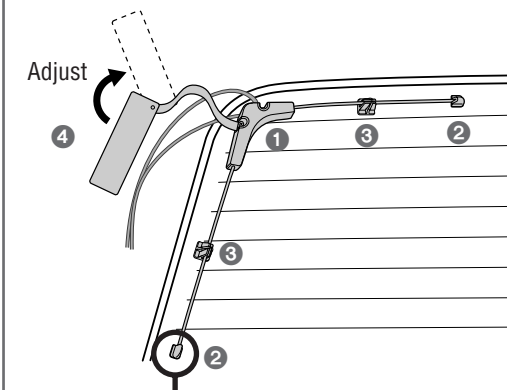
- Be sure to connect the grounding plate. Otherwise, desensitization will occur.

3

Peel the sheet from the back of the antenna body and affix it. Then, affix the grounding plate on a metal part.

Follow the steps below to affix the antenna securely.

- ① Affix the antenna body.
- ② Straighten the antenna element and affix it.
- ③ Put the Antenna Clamp ③ on the center of the antenna element.
- ④ Adjust the angle and position of the grounding plate and affix it.



For some models, you cannot straighten the longer element.

Comfortably curving

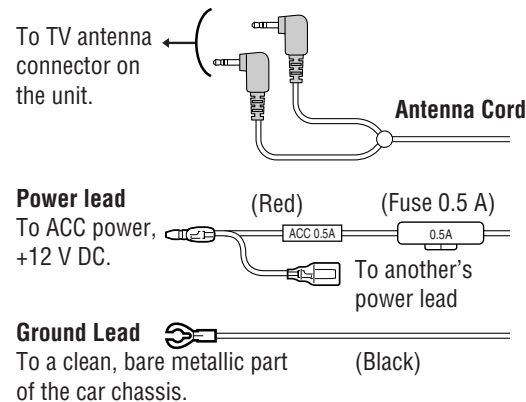
No bending

⚠ Caution

- Avoid contacting the adhesive surface.
- Do not re-adhere to avoid weakening adherability.
- Avoid adhering on the heating wire as much as possible.

24

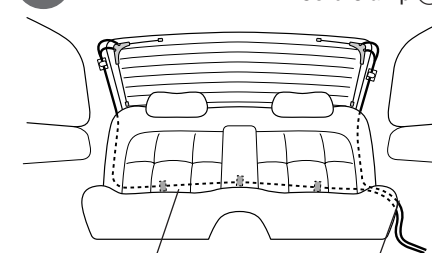
5 Antenna cable identification (for each antenna)



4

Cord routing

Hold the cord with a Cord Clamp ④.



Route the cord behind the rear seat and affix it with adhesive tape.

Route the cord inside the upholstery and under the carpet.

Some models restrict the installation of the TV antenna due to rear window size or open/close of the hatch. Contact your dealer.

Electrical Connections

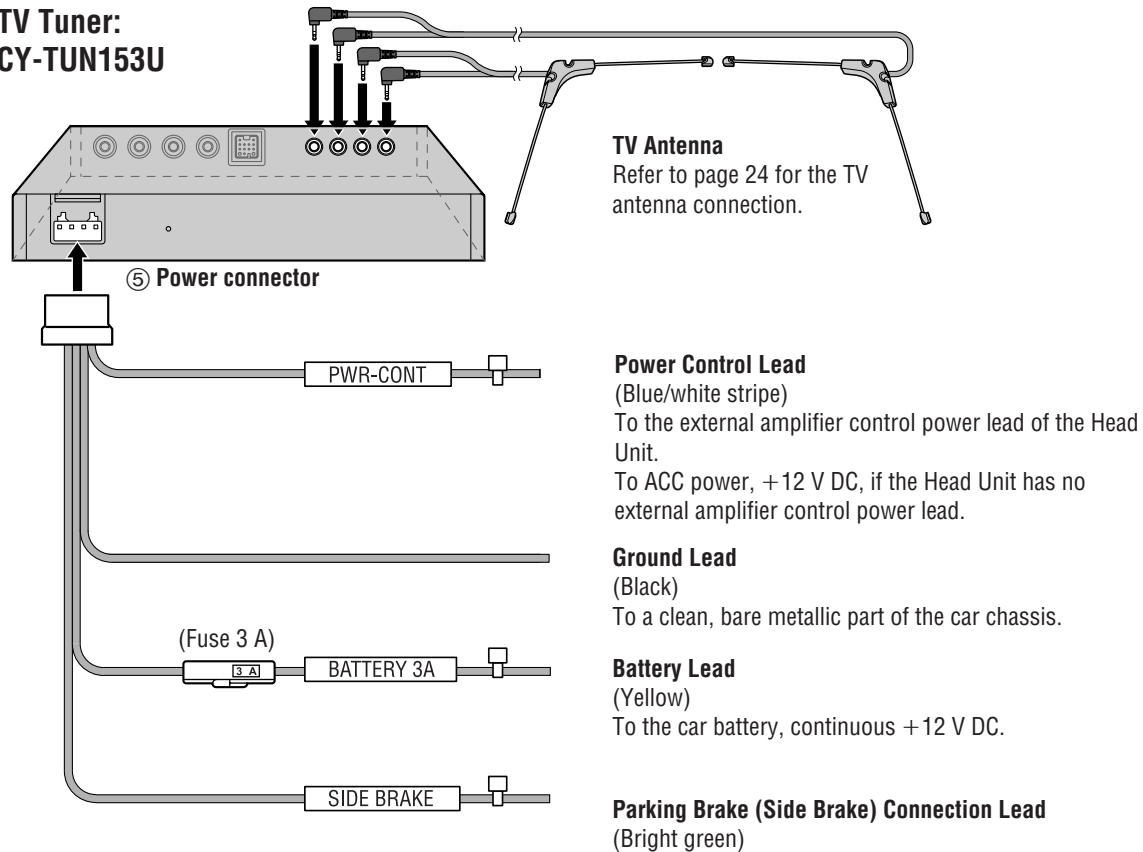
Wiring Diagram

25

⚠ Caution

- This unit is designed for use in a car having a 12 V negative ground battery system.
- To prevent damage to the unit, be sure to follow the connection diagram.
- Do not insert the power connector into the unit until the wiring is completed.
- Be sure to insulate any exposed wires to prevent short circuiting with the car chassis. Bundle all cables, and prevent cable terminals from touching any metal parts.
- Note that if your car has a driving computer or a navigation computer, disconnecting the cable from the battery may clear the memory.
- Run the cords avoiding the spots where the temperature can be extremely high.
- Fit a vinyl cap over unused connection terminals, to prevent contact with metal parts etc.

TV Tuner: CY-TUN153U



Note:

- Strip about 5 mm of the lead ends for connection.
- Be sure to fully plug in the connectors. Secure them with clamps and tapes.
- All other installation methods require the use of dedicated metal fittings. Consult with a qualified servicing engineer or your dealer if other methods are required.

If the Expansion Module (CY-EM100U, option) is not connected and the ACC is not mounted on the vehicle:

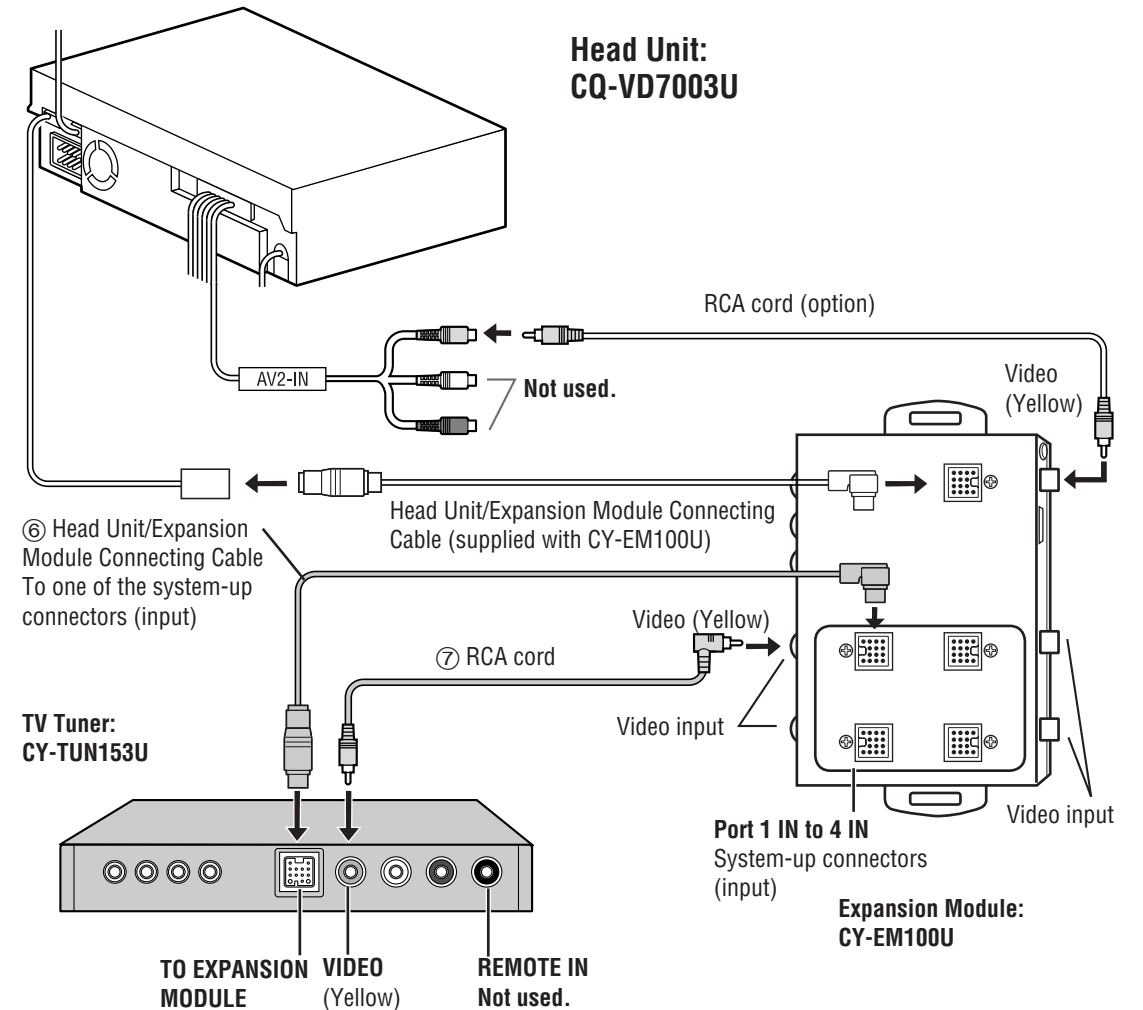
- Connect the power control lead of this unit to the external amplifier control power lead of the Head Unit. If this connection is not made, the battery will run down.

This unit cannot be operated alone.

This unit is designed for users to connect one or more system devices to Panasonic car audio/AV unit at the same time.

26

Connecting with Head Unit (CQ-VD7003U) and Expansion Module (CY-EM100U)



Note:

- Refer to individual instruction and installation manuals for each device for detailed installation and wiring.
- Connect this unit to the Expansion Module (CY-EM100U, option) with the Head Unit/Expansion Module Connecting Cable and RCA cord (video) (supplied).
- When the device that provides video output is connected to the System-up Connector, connect the video cable to input connector below the port to which the System-up Connector is connected.

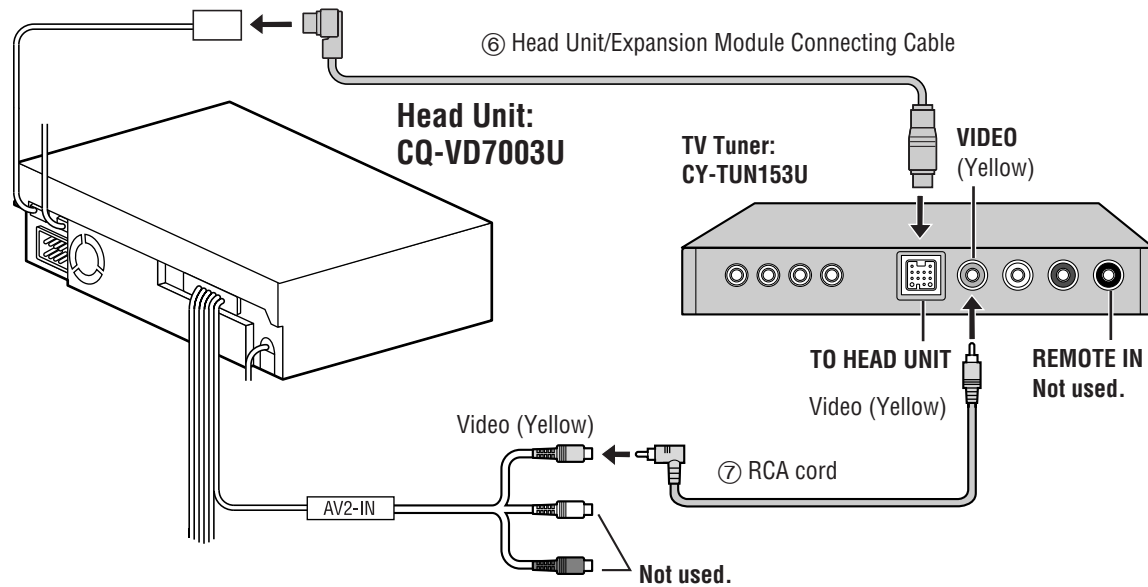
Note for the Head Unit remote control unit (page 13):

- With some Head Units, the Head Unit remote control unit may not have buttons intended specifically for TV operation, so some operations cannot be used for TV operation. But that does not mean that the tuner or the Head Unit are malfunctioning.

Head Unit with System up Connector

27

Connecting with Head Unit (CQ-VD7003U)


Note:

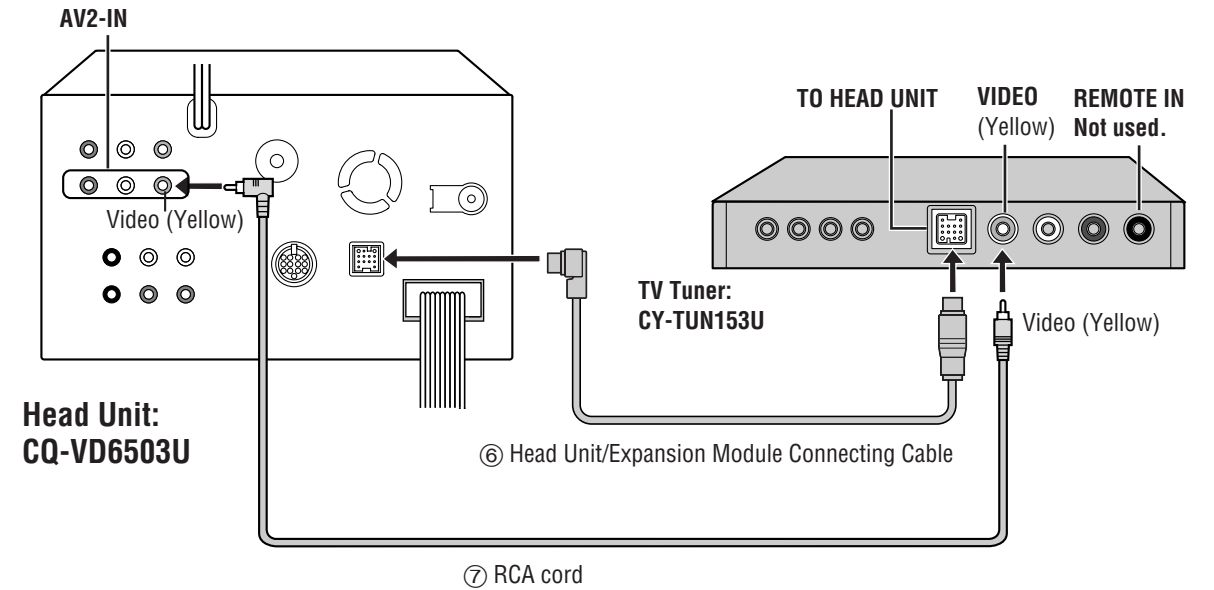
- Refer to individual instruction and installation manuals for each device for detailed installation and wiring.
- Connect this unit to the Head Unit (CQ-VD7003U, option) with the Head Unit/Expansion Module Connecting Cable and RCA cord (video) (supplied).

Note for the Head Unit remote control unit (page 13):

- With some Head Units, the Head Unit remote control unit may not have buttons intended specifically for TV operation, so some operations cannot be used for TV operation. But that does not mean that the tuner or the Head Unit are malfunctioning.

Connecting with Head Unit (CQ-VD6503U)

28


Note:

- Refer to individual instruction and installation manuals for each device for detailed installation and wiring.
- Connect this unit to the Head Unit (CQ-VD6503U, option) with the Head Unit/Expansion Module Connecting Cable and RCA cord (video) (supplied).

Note for the Head Unit remote control unit (page 13):

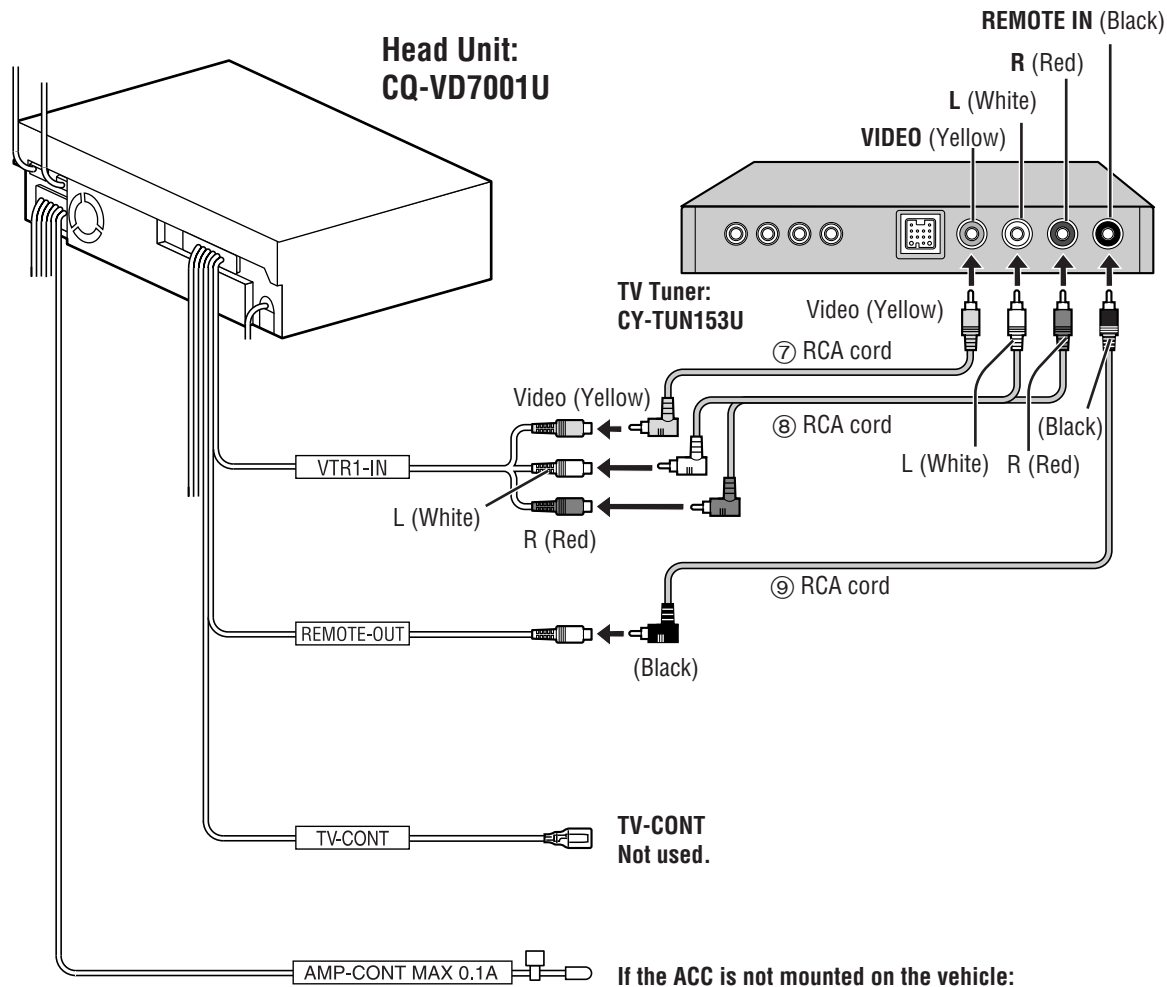
- With some Head Units, the Head Unit remote control unit may not have buttons intended specifically for TV operation, so some operations cannot be used for TV operation. But that does not mean that the tuner or the Head Unit are malfunctioning.

Electrical Connections (continued)

Head Unit without System up Connector

29

Connecting with Head Unit (CQ-VD7001U)


Note:

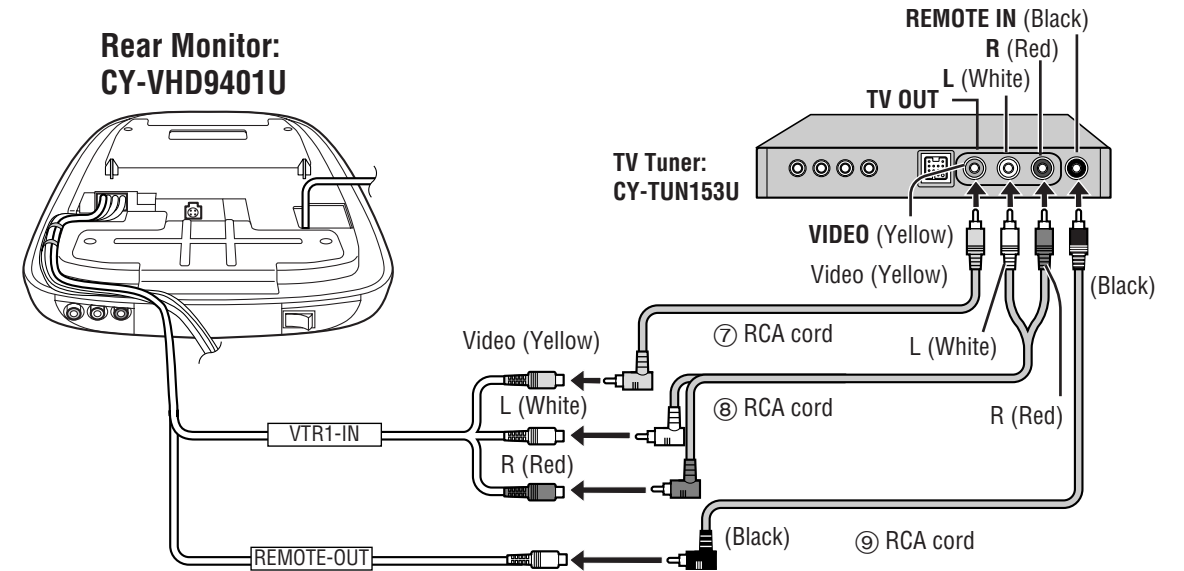
- Refer to individual instruction and installation manuals for each device for detailed installation and wiring.
- Connect this unit to the Head Unit (CQ-VD7001U, option) with RCA cord (video, audio, remote) (supplied).

If the ACC is not mounted on the vehicle:

- Connect the power control lead of this unit to the external amplifier control power lead of the Head Unit. If this connection is not made, the battery will run down.

Connecting with Rear Monitor (CY-VHD9401U)

30


Note:

- Refer to individual instruction and installation manuals for each device for detailed installation and wiring.
- Connect this unit to the Rear Monitor (CY-VHD9401U, option) with RCA cord (video, audio, remote) (supplied).

When Connecting the Rear Monitor (CY-V7001U, option)

- Refer to individual instruction and installation manuals for each device for detailed installation and wiring.
- Connect this unit to the Rear Monitor (CY-V7001U, option) with RCA cord (video, audio, remote) (supplied).
- The rear monitor can be connected to this unit, but audio is not emitted from the receiver (option).

Troubleshooting

If You Suspect Something Wrong

31 Check and take steps as described below.

If the described suggestions do not solve the problem, it is recommended to take the unit to your nearest authorized Panasonic Servicenter. The product should be serviced only by qualified personnel. Please refer checking and repair to professionals.

Panasonic shall not be liable for any accidents arising out of neglect of checking the unit or your own repair after your checking.

Never take measures especially those other than indicated by *italic* letters in "Possible solution" described below because those are too dangerous for users to handle themselves.

Warning

- Do not use the unit in abnormal condition, for example, without sound, or with smoke or foul smell, which can cause ignition or electric shock. Immediately stop using the unit and consult your dealer.
- Never try to repair the unit by yourself because it is dangerous to do so.

Common

Problem	Possible cause → Possible solution
No power to the unit.	The power cord (battery, power control and ground) is connected in the wrong way. → Check the wiring.
	Fuse blows out. → Eliminate the cause of fuse blowout and replace the fuse with new one. Consult your dealer.
Noise.	There is an electromagnetic-wave generator such as a cellular phone near the unit or its electrical lines. → Keep the electromagnetic-wave generator such as a cellular phone away from the unit and the wiring of the unit. If noise cannot be eliminated due to the wiring harness of the car, consult your dealer.
	The contact of the ground lead is poor. → Make sure that the ground lead is connected to an unpainted part of the chassis securely.
Noise is made in step with engine revolutions.	Alternator noise comes from the car. → Change the wiring position of the ground lead. → Mount a noise filter on the power supply.
Some operations are not executable.	Some operations are not executable in particular modes such as menu mode. → Read the operating instructions carefully and cancel the mode. If the unit is still out of order, consult your dealer.

Common (continued)

Problem	Possible cause → Possible solution
Poor reception or noise. TV stations cannot be received.	DIVER (Diversity) antenna setting is set to "OFF". → Set "ON" to receive a good reception.
	Antenna installation or wiring of antenna cable is faulty. → Check whether the antenna mounting position and its wiring are correct. In addition, check to see whether the antenna ground is securely connected to the chassis.
The power of the unit fails unintentionally.	The safety device works. → Consult your dealer, or your nearest Panasonic Servicenter.
The number of auto preset channels is less than 12.	The number of receivable stations is less than 12. → Move to an area where receivable channels number is maximum, and try presetting.
Preset channels cannot be stored.	→ Confirm the operation of the presetting, and preset channels again.
	The contact of the battery lead is poor, or the battery lead is not always powered. → Make sure that the battery lead is connected securely, and preset channels again.

Remote Control Unit

Problem	Possible cause → Possible solution
No response to pressing buttons.	The battery is inserted in the wrong direction. A wrong battery is inserted. → Insert a correct battery in the correct direction.
	The battery is weak. → Replace the battery with new one.
	The aiming direction of the remote control unit is wrong. → Aim the remote control unit at the sensor of the Head Unit and press buttons.
	The wiring is in the wrong way. → Check the wiring of the Head Unit/Expansion Module connecting cable when the Head Unit is CQ-VD7003U, CQ-VD6503U (option).
	The sensor is exposed to direct sunlight. (The remote control unit may not be operable when the sensor is exposed to direct sunlight, In such a case, the system is not faulty.) → Block off sunlight to the sensor.

Troubleshooting (continued)

Product Servicing

33

If the suggestions in the charts do not solve the problem, we recommend that you take it to your nearest authorized Panasonic Servicenter. The product should be serviced only by a qualified technician.

Replacing the Fuse

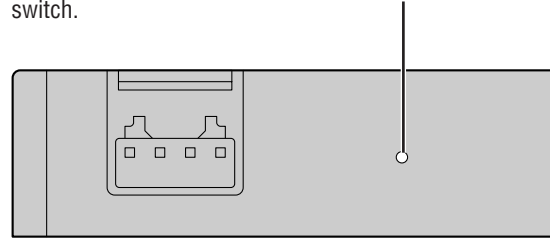
Use fuses of the same specified rating (**3 A**). Using different substitutes or fuses with higher ratings, or connecting the unit directly without a fuse, could cause fire or damage to the unit.

If the replacement fuse fails, contact your nearest Panasonic Servicenter for service.

If the Unit Fails to Operate

Reset switch

Insert a hard, slender stick into the hole and push the switch.



IMPORTANT

Press the switch only when the unit fails to operate with any buttons. (Stored settings and adjustments are not cleared.) If the unit fails to return to normal condition, call the nearest Panasonic Servicenter and ask for repairs.

Tuner for Analog TV only

This unit is not compatible with digital television broadcasts.

Transition from analog TV broadcasts to digital TV broadcasts:

Digital television broadcasts have begun in some countries and regions. They are scheduled to spread gradually into other countries and regions.

Impact on this unit:

Some countries and regions are gradually changing analog TV broadcast channels to secure the broadcast channels required for the start of digital TV broadcasting.

Therefore, the following effects are anticipated, but they are not defects of this unit:

- It may become impossible to receive broadcasts of previously memorized channels.
- A previously memorized channel may start receiving a different television station.
- Some channels may be selected (memorized) for which the image cannot be displayed.

Remedy:

Check this instructions and re-select the channels (change those memorized).

Specifications

34

General

Power supply:	DC 12 V (11 V–16 V), test voltage 14.4 V, negative ground
Current consumption:	Less than 0.5 A
Video output signal:	Composite video signal, 1.0 Vp-p (75 Ω)
Audio output signal:	1 Vrms at 400 Hz (With 100 % modulation)
Dimensions (W×H×D):	156×22.5×150 mm {6 ³ / ₁₆ "×1 ⁵ / ₁₆ "×5 ¹⁵ / ₁₆ "}
Weight:	650 g {1 lbs. 7 oz}

TV Section

Usable Sensitivity:	36 dB/μV
---------------------	----------

Diversity Antenna

Power supply:	DC 12 V (11 V–16 V), test voltage 14.4 V, negative ground
Current consumption:	Less than 0.1 A
Output impedance:	75 Ω×4 (with mini plug)
Cord length:	6 m
Dimensions (W×H×D):	480×340×20 mm {18 ¹⁵ / ₁₆ "×13 ⁷ / ₁₆ "×1 ³ / ₁₆ "}
Weight (each unit):	330 g {12 oz} (including the cable)

Above Specifications comply with EIA standards.

Note:

- Specifications and design are subject to modification without notice due to improvements.
- Some figures and illustrations on this manual may be different from your product.

Informations concernant la sécurité

- Veuillez lire le manuel d'instructions qui accompagne l'appareil et les autres composants de votre chaîne audio pour véhicule avant d'utiliser cette dernière. Il contient des instructions pour une utilisation sûre et efficace de la chaîne. Panasonic décline toute responsabilité quant aux problèmes résultant de l'ignorance des instructions fournies dans ce manuel.



Mise en garde

Ce pictogramme vise à attirer votre attention sur la présence d'importantes instructions d'utilisation. L'ignorance des instructions peut entraîner une blessure grave voire mortelle.



Attention

Ce pictogramme vise à attirer votre attention sur la présence d'importantes instructions d'utilisation. L'ignorance des instructions peut entraîner une blessure ou le décès, ou des dommages matériels.

Cet appareil ne peut pas fonctionner de manière autonome.

Cet appareil est conçu de telle sorte que les utilisateurs puissent raccorder simultanément un ou plusieurs composants à une chaîne audio pour véhicule ou à un appareil audiovisuel Panasonic. Pour plus de détails sur les questions de sécurité, reportez-vous au manuel d'instructions des composants connectés.

⚠ Mise en garde

Tenez compte des mises en garde suivantes lorsque vous utilisez l'appareil.

- **Le conducteur du véhicule ne doit pas regarder l'afficheur ni effectuer des commandes sur la chaîne pendant qu'il conduit.**
S'il regarde l'afficheur ou effectue des commandes sur la chaîne, le conducteur ne sera pas attentif à la route devant le véhicule et risque de causer des accidents. Arrêtez toujours le véhicule dans un emplacement sûr et engagez le frein de stationnement avant de regarder l'afficheur ou d'effectuer des commandes sur la chaîne.
- **Utilisez une source d'alimentation adéquate.**
Cet appareil est conçu pour être alimenté par une batterie de 12 V c.c. avec mise à la terre négative. N'utilisez jamais cet appareil avec un autre type de batterie, et tout particulièrement avec une batterie de 24 V c.c.
- **Maintenez les piles hors de la portée des enfants pour éviter tout risque d'accident. Veuillez contacter immédiatement un hôpital si un enfant avale une pile.**
Les enfants risquent d'avaler les piles et la pellicule isolante si elles ne sont pas placées hors de leur portée. Si un enfant avale une pile ou une pellicule isolante, veuillez contacter immédiatement un hôpital.
- **Ne pas démonter, réparer ou modifier cet appareil.**
Ne démontez ou modifiez pas l'appareil, et n'essayez pas de le réparer vous-même. Si l'appareil doit être réparé, informez-vous auprès de votre détaillant ou d'un centre de service après-vente Panasonic.

- **N'utilisez pas l'appareil s'il ne fonctionne pas bien.**
Si l'appareil ne fonctionne pas bien (ne s'allume pas, n'a pas de son) ou s'il présente une anomalie (présence de corps étrangers à l'intérieur, exposition à l'eau, émission de fumée ou d'odeurs), éteignez-le immédiatement et informez-vous auprès de votre détaillant.
- **Ne laissez pas traîner la télécommande dans le véhicule.**
Si on laisse traîner la télécommande, elle risque de tomber sur le plancher et de se retrouver sous la pédale de frein, pouvant ainsi entraîner un accident de la route.
- **Confiez le remplacement du fusible à un technicien spécialisé.**
Lorsque le fusible a sauté, éliminez la cause du problème et remplacez le fusible par celui recommandé pour cet appareil par un technicien qualifié. Un remplacement de fusible incorrect peut générer de la fumée, enflammer l'appareil et l'endommager.
- **Si vous raccordez des appareils externes (en option), n'oubliez pas de connecter le fil de connexion du frein de stationnement (frein à main).**
- **Par mesure de sécurité, ne tentez jamais de mettre en mémoire des canaux présintonisés tout en conduisant.**

⚠ Mise en garde

Tenez compte des mises en garde suivantes lors de l'installation.

- **Déconnectez le fil de la borne négative (–) de la batterie avant de commencer l'installation.**
Le fait de procéder au câblage et à l'installation alors que la borne de batterie négative (–) est connectée comporte un risque de choc électrique et de blessure causée par un court-circuit.
Sur certains véhicules équipés d'un dispositif de sécurité électrique, une procédure spécifique est requise pour déconnecter la borne de batterie.
L'IGNORANCE DE CETTE PROCÉDURE PEUT ENTRAÎNER L'ACTIVATION INVOLONTAIRE DU DISPOSITIF DE SÉCURITÉ ÉLECTRIQUE ET ENDOMMAGER LE VÉHICULE OU CAUSER UNE BLESSURE, VOIRE UN DÉCÈS.
- **N'utilisez jamais les composants du véhicule qui présentent un danger pour l'installation, la mise à la terre, etc.**
N'utilisez pas les composants du véhicule qui présentent un danger (réservoir à essence, frein, suspension, volant, pédales, coussins de sécurité gonflables, etc.) pour effectuer le câblage ou fixer l'appareil et ses accessoires.
- **Il est interdit d'installer l'appareil sur le couvercle du coussin de sécurité gonflable ou tout autre emplacement où il nuira au fonctionnement du coussin gonflable.**
- **Vérifiez où se trouvent les tuyaux, le réservoir à essence, les câbles électriques et autres éléments avant d'installer le produit.**
Si vous devez percer un trou dans le châssis du véhicule pour fixer ou câbler l'appareil, vérifiez d'abord l'emplacement des faisceaux de fils, du réservoir à essence et des câbles électriques. Percez ensuite le trou par l'extérieur si possible.
- **Ne dérivez jamais le cordon d'alimentation du présent appareil pour alimenter d'autres appareils.**
- **Après l'installation et le câblage, vous devez vous assurer que les autres appareils électriques fonctionnent bien.**
En continuant de les utiliser dans des conditions anormales vous risqueriez de provoquer un incendie, de subir un choc électrique ou d'entraîner un accident de la route.
- **Dans le cas d'une installation dans un véhicule équipé de coussins de sécurité gonflables, vérifiez les mises en garde et avertissements du fabricant du véhicule avant de procéder à l'installation.**
- **Assurez-vous que les fils ne nuisent pas à la conduite du véhicule et ne gênent pas l'entrée et la sortie des passagers du véhicule.**
- **Isolez tous les câbles dénudés pour éviter les courts-circuits.**
- **Vous ne devez en aucun cas tenter de réparer vous-même l'appareil, car cela est dangereux.**

⚠ Attention

Tenez compte des avertissements suivants lorsque vous utilisez cet appareil.

- ❑ Cet appareil est conçu exclusivement pour l'utilisation dans les véhicules automobiles.
- ❑ N'utilisez pas l'appareil sur une période prolongée avec le moteur coupé.

L'utilisation de la chaîne audio sur une période prolongée alors que le moteur est coupé épuise la batterie du véhicule.

- ❑ Évitez d'exposer directement l'appareil à la lumière du soleil ou à une chaleur excessive.

Autrement la température interne de l'appareil augmentera, pouvant générer de la fumée, enflammer l'appareil et l'endommager.

- ❑ N'utilisez pas l'appareil dans les endroits où il serait exposé à l'eau, à l'humidité ou à la poussière.

L'exposition de l'appareil à l'eau, à l'humidité ou à la poussière peut générer de la fumée, enflammer l'appareil et l'endommager. Assurez-vous tout particulièrement que l'appareil ne se fait pas mouiller dans les lave-autos ou lors des jours de pluie.

Tenez compte des avertissements suivants lors de l'installation.

- ❑ Si le véhicule est équipé de coussins de sécurité gonflables et/ou d'un système antivol, il se peut que la connexion et la déconnexion de la batterie nécessitent des procédures spécifiques lors de l'installation.

- ❑ LE NON-RESPECT DE LA PROCÉDURE À SUIVRE COMPORTE UN RISQUE DE DÉPLOIEMENT DES COUSSINS DE SÉCURITÉ GONFLABLES OU D'ACTIVATION DU SYSTÈME ANTIVOL PAR INADVERTANCE, DONT PEUVENT RÉSULTER DES DOMMAGES AU VÉHICULE OU UNE BLESSURE.

- ❑ Confiez les travaux de câblage et d'installation à un technicien spécialisé.

L'installation de cet appareil exige des connaissances techniques spéciales et de l'expérience. Pour assurer un maximum de sécurité, faites-le installer par votre détaillant. Panasonic décline toute responsabilité quant aux problèmes, quels qu'ils soient, résultant de l'installation de l'appareil par l'utilisateur lui-même.

- ❑ Suivez les instructions pour installer et câbler l'appareil.

Il y a risque d'accident ou d'incendie si l'installateur ignore les instructions qui permettent d'installer et de câbler l'appareil correctement.

- ❑ Prenez garde d'endommager les fils.

Lors de l'exécution du câblage, prenez garde d'endommager les fils. Évitez qu'ils ne se coincent dans le châssis du véhicule, sous des vis ou dans les pièces mobiles tels que les glissières de siège. Évitez de rayer, tendre, plier ou tordre les fils. Ne les faites pas passer près des sources de chaleur et ne placez aucun objet lourd dessus. Si vous devez faire passer les fils sur des objets métalliques à bords tranchants, protégez-les en les entourant de ruban de vinyle ou d'une protection similaire.

- ❑ Utilisez les pièces et outils désignés pour l'installation.

Utilisez les pièces fournies ou désignées et des outils adéquats pour installer l'appareil. L'utilisation de pièces autres que celles fournies ou désignées comporte un risque de dommages internes à l'appareil. Une mauvaise installation peut causer un accident, un dysfonctionnement ou un incendie.

- ❑ N'installez pas l'appareil là où il sera soumis à de fortes vibrations ou sera instable.

Évitez les surfaces inclinées ou très courbées pour l'installation. Si l'installation n'est pas stable, l'appareil risque de tomber pendant le déplacement du véhicule et d'entraîner un accident ou une blessure.

- ❑ Portez des gants par mesure de sécurité. Vous devez terminer le câblage avant de procéder à l'installation.

- ❑ Pour éviter d'endommager l'appareil, ne branchez le connecteur d'alimentation qu'une fois tout le câblage terminé.

- ❑ Ne montez jamais l'appareil dans un des emplacements suivants, pour éviter tout dommage causé par une surchauffe.
 - Près de la sortie d'air d'un appareil de chauffage.
 - Endroits tels que le tableau de bord ou la plage arrière, où ils sera exposé directement aux rayons du soleil.

- ❑ Ne montez pas l'appareil près de la porte, où il risque d'être exposé à la pluie.

- ❑ Vous risquez d'affaiblir le support (de moteur, de carrosserie) ou d'endommager le réservoir à essence, le faisceau de fils ou un autre composant du véhicule en y perçant un trou.

- ❑ Notez que si le véhicule est équipé d'un ordinateur de conduite ou de navigation routière, la mémoire de ce dernier risque d'être effacée si vous déconnectez le câble de la batterie.

- ❑ Placez une housse en vinyle par-dessus les bornes de batterie non utilisées pour éviter tout contact avec des pièces en métal ou autre.

⚠ Attention

Tenez compte des avertissements suivants lors du montage des antennes de télévision.

- Fixez l'antenne de télévision de sorte qu'elle ne dépasse pas. Si une section de l'antenne dépasse à l'avant ou à l'arrière du véhicule, elle risque de pénétrer dans les yeux ou de frapper la tête des piétons, et elle peut entraîner un accident ou causer une blessure.
- Placez l'antenne de télévision de sorte qu'elle ne nuise pas à la conduite du véhicule et ne réduise pas le champ de vision du conducteur. Si l'antenne se trouve dans le champ de vision du conducteur à l'avant ou à l'arrière, elle risque de nuire à la conduite du véhicule et de causer un accident.
- Ne pas démonter ou modifier l'antenne de télévision. La modification risquerait de causer l'émission de fumée ou déclencher un incendie.
- Fixez l'antenne de télévision solidement, de sorte qu'elle ne puisse pas tomber. Si les vis sont lâches ou si la base de l'antenne est mal collée, l'antenne risque de tomber et d'endommager la carrosserie du véhicule, d'entraîner un accident ou de causer une blessure. Inspectez-la de temps à autre.
- Vous devez installer l'antenne de télévision du côté intérieur de la lunette arrière.
- Vous devez connecter le fil d'alimentation de l'antenne de télévision sur l'alimentation ACC de 12 V c.c.
- Maintenez autant que possible l'antenne à l'écart des cordons d'amplificateur externe et de haut-parleur arrière.
- Vous devez connecter la prise de terre au corps de l'antenne de télévision. Autrement, il y aura une baisse de sensibilité.
- Évitez de mettre en contact la partie arrière du corps de l'antenne de télévision avec la surface adhésive.
- Pour éviter toute diminution de la puissance adhésive, ne collez qu'une fois la partie arrière du corps de l'antenne de télévision.
- Évitez le plus possible de coller l'antenne de télévision sur un fil de chauffage.

⚠ Attention

Tenez compte des avertissements suivants lorsque vous manipulez les piles de la télécommande.

Utilisation adéquate des piles

- Utilisez exclusivement les piles spécifiées (CR2025).
- Faites correspondre les pôles de la pile avec les indications (+) et (-) du porte-pile.
- Remplacez toute pile épuisée dès que possible.
- Retirez la pile de la télécommande lorsque cette dernière doit rester inutilisée pour une période prolongée.
- Isolez la pile (en la plaçant dans un sac de plastique ou en la recouvrant de ruban de vinyle) avant de la jeter ou de la ranger.
- Évitez de démonter, recharger, chauffer ou court-circuiter la pile. Évitez de jeter les piles au feu ou dans l'eau.
- Respectez les règlements locaux lorsque vous jetez une pile.
- La mauvaise utilisation d'une pile peut provoquer une surchauffe, une explosion ou un feu, entraînant une blessure ou un incendie.

En cas de fuite de la pile

- Essuyez complètement le liquide dans le porte-pile et insérez une pile neuve.
- Si le liquide de la pile entre en contact avec une partie de votre corps ou avec vos vêtements, rincez abondamment à l'eau.
- Si le liquide de la batterie pénètre dans vos yeux, rincez-les abondamment avec de l'eau et consultez immédiatement un médecin.

Informations concernant la sécurité (suite)

Veillez respecter les lois et règlements de votre province ou pays pour installer l'appareil.

Raccordement du fil de connexion du frein à main



Cette chaîne est conçue de sorte qu'il ne soit pas possible de regarder la télévision ou un film tout en conduisant.

- Stationnez le véhicule dans un endroit sûr et tirez sur le levier du Frein de stationnement (frein à main) avant de regarder le moniteur.
- Si un moniteur arrière (en option) est raccordé à cet appareil, l'image s'y affiche même si vous n'avez pas tiré sur le frein de stationnement (frein à main).

⚠ Mise en garde
Si vous raccordez des appareils externes (en option), n'oubliez pas de connecter le fil de connexion du frein de stationnement (frein à main). (page 57)

Remarque :

- L'affichage sur écran (OSD) est uniquement en anglais.

Cet appareil n'est pas compatible avec la télédiffusion numérique. (page 68)
Pour plus de détails sur la télédiffusion numérique, consultez les publications gouvernementales et celles des chaînes de télévision.

Caractéristiques

Panasonic vous souhaite la bienvenue au sein du groupe toujours croissant des propriétaires de nos produits électroniques.

Nous nous efforçons de vous faire bénéficier d'appareils issus de notre savoir-faire en génie électronique et mécanique, fabriqués avec des pièces soigneusement sélectionnées et assemblés par des gens fiers de l'excellence de leur travail, qui se reflète dans la bonne réputation dont jouit notre compagnie. Nous sommes convaincus que cet appareil vous procurera de nombreuses heures de divertissement et que vous serez fier d'appartenir à notre grande famille après avoir constaté la qualité, la valeur et la fiabilité de cet appareil.

Cet appareil ne peut pas fonctionner de manière autonome.
Cet appareil est conçu de telle sorte que les utilisateurs puissent raccorder simultanément un ou plusieurs composants à une chaîne audio pour véhicule ou à un appareil audiovisuel Panasonic.

Unité d'opération (en option) :
CQ-VD7003U, CQ-VD6503U, etc.

Peut être combiné à un module d'extension Panasonic (CY-EM100U, en option) et à d'autres appareils en option.

Réception de signaux vidéo NTSC uniquement

Système d'antenne de télévision "Diversité" à 4 canaux

12 canaux présintonisés pour chaque bande
Après la première mise en mémoire de canaux présintonisés, vous pouvez les remplacer par vos canaux favoris.
Vous pouvez également effacer les canaux présintonisés dont vous n'avez plus besoin.

Remarque :

- La disponibilité des appareils en option sur le marché varie suivant les pays et les régions. Pour plus de détails, informez-vous auprès du détaillant.

Table des matières

Anglais	2	
Français	36	
Espagnol	70	6

Informations concernant la sécurité ..	36
Caractéristiques	41
Répertoire des services à la clientèle	42
Garantie limitée.....	43

Préparatifs	44
Pièces	45
Antenne de télévision diversité.....	46
Réglage d'antenne DIVER (diversité)	

Système recommandé et fonctionnement	47
Nom et fonction des bornes respectives	50

Réglages de DIVER	51
Commandes de base du téléviseur ..	52
Présintonisation de canal	53

Installation.....	54
Raccordements électriques	60

Dépannage.....	66
Syntonisateur pour télévision analogique uniquement	68
Fiche technique	69

Répertoire des services à la clientèle

RÉPARATION SOUS GARANTIE

Pour de l'aide sur le fonctionnement de l'appareil, veuillez contacter

notre service à la clientèle au :

N° de téléphone : (905) 624-5505

Ligne sans frais : 1-800-561-5505

N° de télécopieur : (905) 238-2360

Lien courriel : « Contactez-nous » à www.panasonic.ca

Pour la réparation des appareils, veuillez consulter notre site www.panasonic.ca pour connaître le centre de service agréé le plus près de votre domicile :

Lien : « Centres de service » sous « support à la clientèle »

Centres de service Panasonic :

Vancouver

Panasonic Canada Inc.
12111 Riverside Way
Richmond, BC V6W 1K8
Tel: (604) 278-4211
Fax: (604) 278-5627

Mississauga, Ontario

Panasonic Canada Inc.
5770 Ambler Dr.
Mississauga, ON L4W 2T3
Tel: (905) 624-8447
Fax: (905) 238-2418

Garantie limitée

Panasonic Canada Inc.
5770 Ambler Drive, Mississauga, Ontario L4W 2T3

Certificat de garantie limitée PANASONIC

Panasonic Canada Inc. garantit cet appareil contre tout vice de fabrication et accepte, le cas échéant, de remédier à toute défektivité, pendant la période indiquée ci-dessous et commençant à partir de la date d'achat d'origine.

Appareils Auto Audio – Un (1) an, pièces et main-d'œuvre

(La main-d'œuvre pour l'installation ou le retrait de l'appareil n'est pas couverte par la garantie)

LIMITATIONS ET EXCLUSIONS

Cette garantie n'est valable que pour les appareils achetés au Canada et ne couvre pas les dommages résultant d'une installation incorrecte, d'un usage abusif ou impropre ainsi que ceux découlant d'un accident en transit ou de manipulation. De plus, si l'appareil a été altéré ou transformé de façon à modifier l'usage pour lequel il a été conçu ou a été utilisé à des fins commerciales, cette garantie devient nulle et sans effet. Les piles sèches ne sont pas couvertes par la garantie. Cette garantie n'est octroyée qu'à l'utilisateur d'origine. La facture ou autre preuve de la date d'achat d'origine sera exigée pour toute réparation sous le couvert de cette garantie.

CETTE GARANTIE LIMITÉE ET EXPRESSE REMPLACE TOUTE AUTRE GARANTIE, EXPRESSE OU IMPLICITE, INCLUANT LES GARANTIES IMPLICITES DU CARACTÈRE ADÉQUAT POUR LA COMMERCIALISATION ET UN USAGE SPÉCIFIQUE. PANASONIC N'AURA D'OBLIGATION EN AUCUNE CIRCONSTANCE POUR TOUT DOMMAGE DIRECT, INDIRECT OU CONSÉCUTIF.

Certaines juridictions ne reconnaissent pas les exclusions ou limitations de dommages indirects ou consécutifs, ou les exclusions de garanties implicites. Dans de tels cas, les limitations stipulées ci-dessus peuvent ne pas être applicables.

Expédition de l'appareil à un centre de service

Emballer soigneusement l'appareil, de préférence dans le carton d'origine, et l'expédier port payé et assuré au centre de service. Inclure la description détaillée de la panne et la preuve de la date d'achat d'origine.

Réglages

Avant d'effectuer les réglages :

- 1 Installez et raccordez l'unité d'opération, les appareils en option et le présent appareil. (page 54–65)
- 2 Montez l'antenne de télévision. (pages 58, 60)
- 3 Allumez l'appareil.
- 4 Réglez l'antenne DIVER (diversité) sur "ON".
- 5 Vérifiez les connexions électriques et le signal vidéo des appareils raccordés.

Réglage d'antenne DIVER (diversité) (page 46)

Antenne diversité :

Des deux antennes connectées à la chaîne, celle offrant la meilleure réception est automatiquement sélectionnée pour la réception de la télévision. Le réglage de DIVER (diversité) sur "ON" réduit le brouillage.

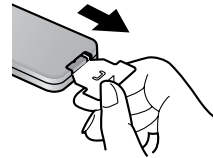
Pour une bonne réception, assurez-vous que cette option est réglée sur "ON".



Télécommande

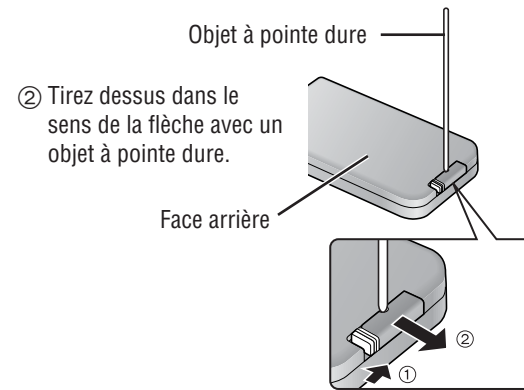
Préparatifs avant la première utilisation

Tirez doucement sur la pellicule isolante à l'arrière de la télécommande.

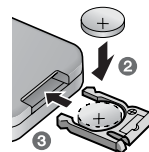


Remplacement de la pile

- 1 Posez la télécommande sur une surface plane pour retirer le porte-pile.
 - 1 Insérez l'ongle du pouce dans la rainure tout en poussant le porte-pile dans le sens de la flèche.



- 2 Insérez une pile dans le porte-pile en plaçant le côté (+) de la pile vers le haut.
- 3 Remettez le porte-pile en place.



Remarques :

- Information sur la pile :
 - Type de pile : pile au lithium Panasonic (CR2025) (fournie avec la télécommande)
 - Autonomie de la pile : environ 6 mois dans des conditions normales d'utilisation (à température intérieure)

⚠ Mise en garde

- Maintenez les piles hors de la portée des enfants pour éviter tout risque d'accident. Veuillez contacter immédiatement un hôpital si un enfant avale une pile.

⚠ Attention

- Veuillez retirer et jeter la pile sans tarder lorsqu'elle est épuisée.
- Évitez de démonter, chauffer ou court-circuiter la pile. Évitez de jeter les piles au feu ou dans l'eau.
- Respectez les règlements locaux lorsque vous jetez une pile.
- La mauvaise utilisation d'une pile peut provoquer une surchauffe, une explosion ou un feu, entraînant une blessure ou un incendie.

Pièce	Schéma	Nombre
Syntoniseur télé		1
Antenne de télévision (YEAA12692A (L)/YEAA12693A (R)) (G/D) : par l'intérieur du véhicule.		1 jeu
Télécommande (EUR7641040)		1
Pile au lithium pour télécommande (fournie avec la télécommande) <CR2025/1F>		1
Manuel d'instructions (YFM284C547ZA)		1
Carte d'information des utilisateurs		1
Matériel d'installation (vis, cordons, etc.) (page 55)		

Remarques :

- Le numéro indiqué entre parenthèses sous le nom des accessoires respectifs correspond au numéro de pièce pour l'entretien et le service.
- Les accessoires et les numéros de pièce correspondants sont sujets à modification sans préavis lorsque des améliorations sont apportées.

Antenne de télévision diversité

Antenne de télévision diversité :

Des deux antennes connectées à la chaîne, celle offrant la meilleure réception est automatiquement sélectionnée pour la réception de la télévision. Le réglage de DIVER (diversité) sur "ON" réduit le brouillage.

Pour utiliser efficacement cette fonction diversité :

1 Connectez les deux antennes de télévision fournies.

2 Réglez DIVER (diversité) sur "ON".

Remarque :

- Si une seule antenne est connectée, la fonction diversité est inopérante.

Pour utiliser les deux antennes fournies

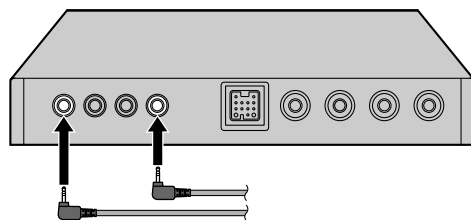
- 1 Branchez les quatre bornes des deux antennes dans le syntonisateur. Combinez les bornes de télévision du syntonisateur et les bornes d'antenne comme indiqué à la page 60.
- 2 Assurez-vous que DIVER (diversité) est réglé sur "ON".

Pour utiliser les deux antennes en option

Il faut préparer les deux Antennes.

- 1 Branchez les quatre bornes des deux antennes dans le syntonisateur. Combinez les bornes de télévision du syntonisateur et les bornes d'antenne comme indiqué à la page 60.

Façon de connecter les antennes s'il n'y a qu'une seule borne d'antenne



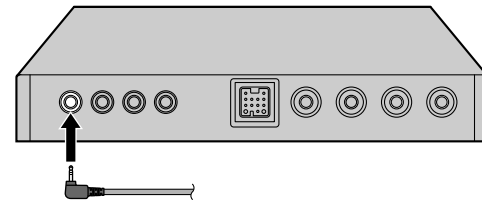
- 2 Assurez-vous que DIVER (diversité) est réglé sur "ON".

Remarque :

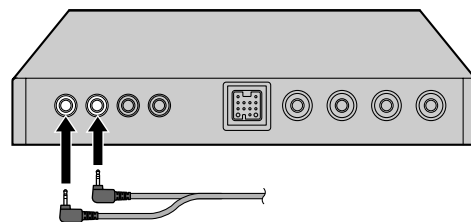
La fonction diversité sera inopérante s'il n'est possible d'utiliser qu'une antenne de télévision en option.

1. La façon de connecter les antennes varie suivant le nombre de bornes d'antenne.

Façon de connecter les antennes s'il n'y a qu'une seule borne d'antenne



Façon de connecter les antennes s'il y a deux bornes.



2. Assurez-vous que DIVER (diversité) est réglé sur "OFF".

Réglage d'antenne DIVER (diversité)

Pour une bonne réception, assurez-vous que cette option est réglée sur "ON".

Valeur par défaut : ON (Activation)

Réglage : ON/OFF

- 1 Appuyez sur [PWR] (Alimentation).
- 2 Appuyez sur [MENU].



- 3 Appuyez sur [<] ou [>] pour sélectionner "ON" ou "OFF".
- 4 Appuyez sur [ENT] (ENTRÉE) (Entrée) ou [MENU] pour valider et revenir à l'affichage précédent.

Système recommandé et fonctionnement

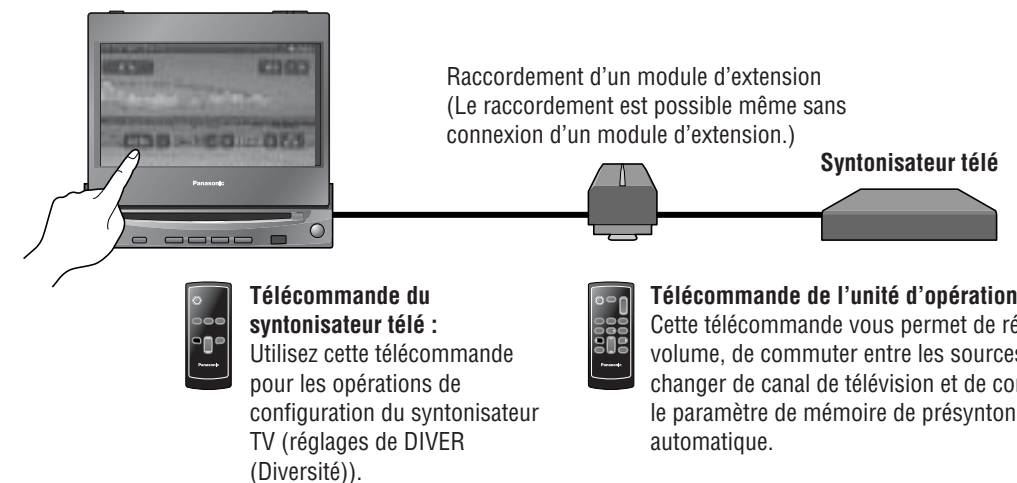
Il est recommandé d'utiliser ce syntonisateur télé avec l'unité d'opération Panasonic ci-dessous.

Pour plus d'informations sur le fonctionnement de l'unité d'opération et de sa télécommande, reportez-vous aux instructions d'utilisation de l'unité d'opération.

Unité d'opération à commande par panneau tactile (CQ-VD7003U, CQ-VD6503U), module d'extension (CY-EM100U) et syntonisateur télé

Utilisez le panneau tactile de l'unité d'opération pour commander le syntonisateur télé.

Pour plus d'informations sur le fonctionnement du Panneau tactile et de la télécommande, reportez-vous au chapitre sur les commandes de télévision dans les instructions d'utilisation de l'unité d'opération.



Pour les configurations de raccordement autres que celles recommandées ci-dessus, reportez-vous aux pages suivantes.

- Unité d'opération (CQ-VD7001U) : Page 64
- Moniteur arrière (CY-VHD9401U) : Page 65

Il n'est pas possible de commander le syntonisateur télé avec la télécommande fournie avec l'unité d'opération et le moniteur arrière. (Sauf pour régler le volume, commuter entre les sources, etc.)

Combinaison de ce syntonisateur TV avec l'unité d'opération non Panasonic (système de navigation routière avec moniteur/appareil audiovisuel) :

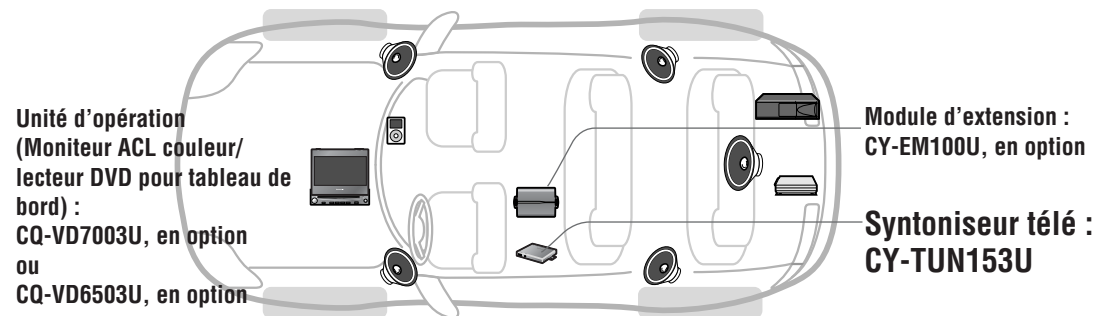
Il ne sera pas possible de commander ce syntonisateur TV avec une télécommande, ou avec celle de l'unité d'opération non Panasonic.

Système recommandé et fonctionnement (suite)

Cet appareil ne peut pas fonctionner de manière autonome. Cet appareil est conçu de telle sorte que les utilisateurs puissent raccorder simultanément un ou plusieurs composants à une chaîne audio pour véhicule ou à un appareil audiovisuel Panasonic. Consultez le manuel d'instruction des composants pour de plus amples renseignements.

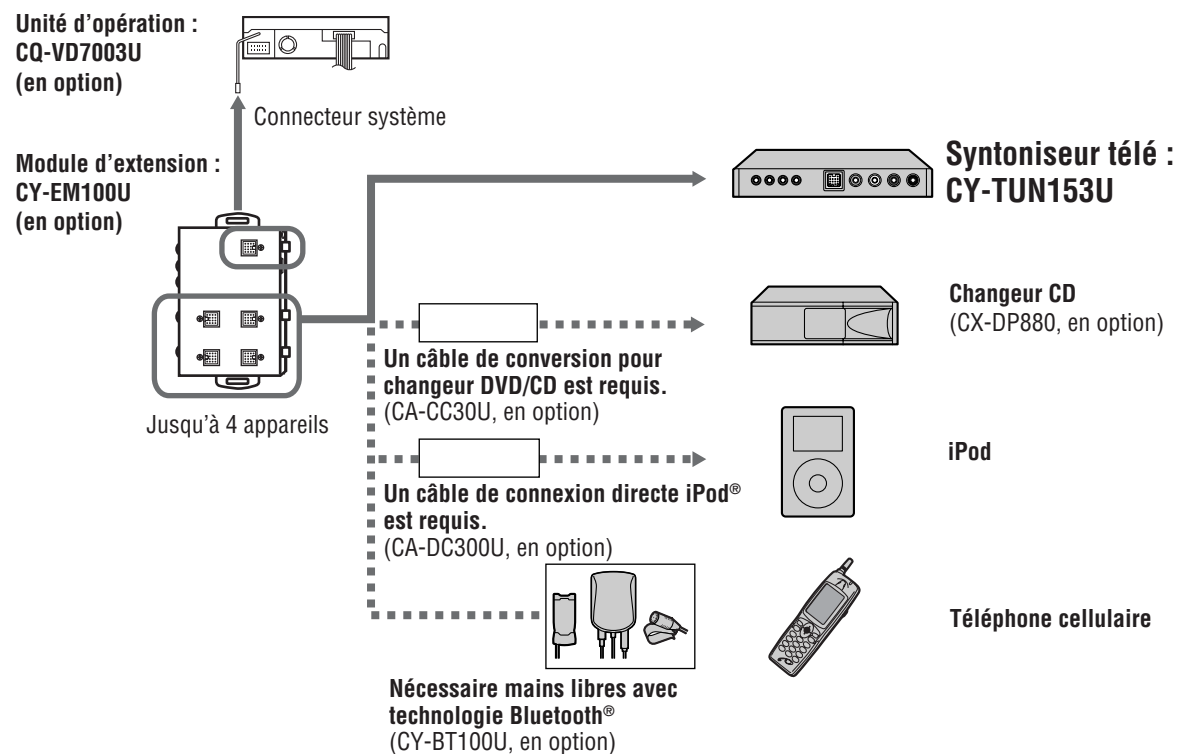
Exemple de raccordement à la chaîne

Unité d'opération à commande par panneau tactile (CQ-VD7003U, CQ-VD6503U), module d'extension (CY-EM100U) et syntonisateur télé

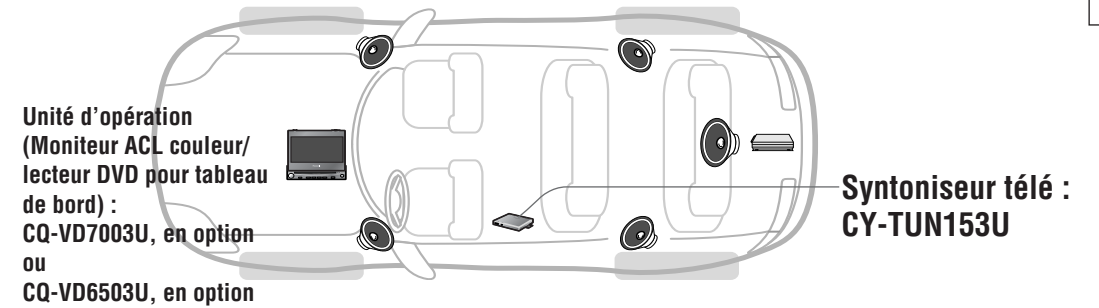


Remarque :

- Raccordez cet appareil au module d'extension (CY-EM100U, en option) avec le câble de connexion de l'unité d'opération/module d'extension et le cordon RCA (vidéo) (fourni). (page 61)



Unité d'opération à commande par panneau tactile (CQ-VD7003U, CQ-VD6503U) et syntonisateur télé



Remarque :

- Raccordez cet appareil à l'unité d'opération (CQ-VD7003U, CQ-VD6503U, en option) avec le câble de connexion de l'unité d'opération/module d'extension et le cordon RCA (vidéo) (fourni). (page 62, 63)

Bluetooth®

Bluetooth SIG, Inc. est propriétaire des termes de la marque et des logos de Bluetooth et toute utilisation de ces marques et ces logos par Matsushita Electric Industrial Co.,Ltd. est fait sous licence. Les autres marques et appellations commerciales sont celles de leurs propriétaires respectifs.

iPod®

iPod est une marque de commerce d'Apple Computer Inc., déposée aux États-Unis et dans d'autres pays.

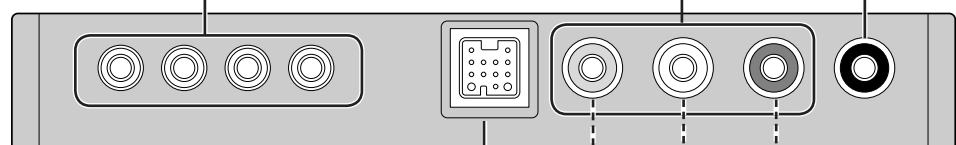
Nom et fonction des bornes respectives

Syntoniseur télé

TV ANT IN
(Entrée d'antenne télé)
Borne de connexion d'antennes de télévision (fournies)

TV OUT (Sortie télé)
Borne de connexion du moniteur arrière (CY-VHD9401U, etc., en option)

REMOTE IN (Entrée pour commande à distance) (Noir)
Borne de connexion à la borne de sortie de commande à distance de l'unité d'opération.



TO HEAD UNIT/EXPANSION MODULE (Vers l'unité d'opération/module d'extension) (**Connecteur système**)
Borne de connexion à l'unité d'opération (CQ-VD7003U, CQ-VD6503U, en option) ou au module d'extension (CY-EM100U, en option).

VIDEO (VIDÉO) (Jaune)
Connectez le cordon RCA à la borne d'entrée vidéo de l'unité d'opération si vous connectez le câble de connexion de l'unité d'opération/module d'extension à l'unité d'opération.



POWER SUPPLY (Alimentation)
Borne de connexion du connecteur d'alimentation

Télécommande

Remarque :
• Pointez l'émetteur de la télécommande vers l'unité d'opération ou le moniteur.

[PWR] (Alimentation)
• Pour allumer/éteindre l'appareil. (page 52)

[BAND] (Bande)
• Pour sélectionner la bande TV. (page 52)
• Pour chercher les canaux et les mettre en mémoire automatiquement. (page 53)

[<] (CH DOWN) [>] (CH UP) (Sélection du canal)
• Pour sélectionner une opération ou une option. (page 51)
• Pour sélectionner ou chercher le canal de télévision. (page 52)

[ENT] (ENTER) (Entrée)
• Pour valider la sélection d'une opération ou d'une option. (page 51)
• Pour montrer l'affichage du canal de télévision. (page 52)

[MENU]
• Pour afficher l'écran de menu. (page 51)

[^] [v] (PRESET) (Préréglage)
• Pour sélectionner le canal présintonisé. (page 53)
• Pour spécifier le mode de mise en mémoire/effacement de canal présintonisé. (page 53)

Réglages de DIVER

Reportez-vous à la page 46 concernant le réglage de **DIVER** (diversité).
Si nécessaire, lisez les explications de cette page.

Réglage d'antenne DIVER (diversité)

Antenne de télévision diversité :
Des deux antennes connectées à la chaîne, celle offrant la meilleure réception est automatiquement sélectionnée pour la réception de la télévision. Le réglage de DIVER (diversité) sur "ON" réduit le brouillage.

Pour une bonne réception, assurez-vous que cette option est réglée sur "ON".
Valeur par défaut : ON (Activation)
Réglage : ON/OFF

- 1 Appuyez sur **[PWR]** (Alimentation).
- 2 Appuyez sur **[MENU]**.

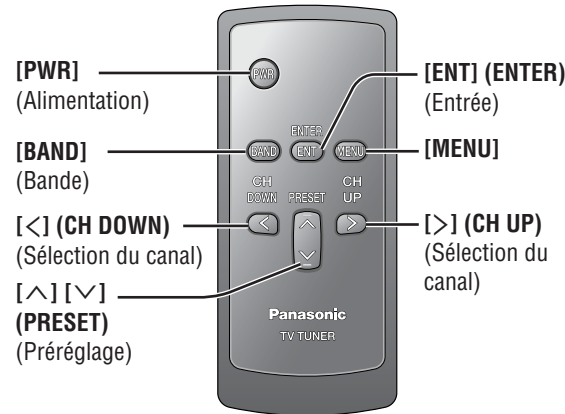


- 3 Appuyez sur **[<]** ou **[>]** pour sélectionner "ON" ou "OFF".
- 4 Appuyez sur **[ENT] (ENTER)** (Entrée) ou **[MENU]** pour valider et revenir à l'affichage précédent.

Remarque :
• L'affichage sur écran (OSD) est uniquement en anglais.

Commandes de base du téléviseur

Reportez-vous au mode d'emploi du CQ-VD7003U et du CQ-VD6503U pour plus d'informations sur l'utilisation du téléviseur au moyen du panneau tactile et de la télécommande du CQ-VD7003U et du CQ-VD6503U.



Alimentation

Tournez la clé de contact du véhicule sur la position ACC ou ON.

ON : Appuyez sur [PWR] (Alimentation).

OFF : Appuyez à nouveau sur [PWR] (Alimentation).

Remarque :

- Lorsque vous commutez la source sur syntonisateur télé sur l'unité d'opération (CQ-VD7003U, CQ-VD6503U, en option), l'appareil s'allume automatiquement.

Sélection de la bande

Appuyez sur [BAND] (Bande).

TV1 ↔ TV2

Remarque :

- TV2 permet de mettre davantage de canaux présynchronisés en mémoire.

Sélection du canal

Appuyez sur [<] (CH DOWN) ou [>] (CH UP) (Sélection du canal).

[>] (CH UP) : Numéro de canal supérieur

[<] (CH DOWN) : Numéro de canal inférieur

Appuyez de manière continue sur [<] (CH DOWN) ou [>] (CH UP) pendant plus de 0,5 seconde. La recherche est lancée.

Affichage du canal de télévision

Appuyez sur [ENT] (ENTER) (Entrée).

Appuyez à nouveau sur [ENT] (ENTER) (Entrée) pour annuler l'affichage.

Exemple : Lorsque aucun canal présynchronisé n'est mis en mémoire.

Bande TV Numéro de canal de télévision sélectionné



Remarques :

- L'affichage sur écran (OSD) est uniquement en anglais.
- L'arrière-plan de l'affichage devient bleu lorsque l'appareil n'arrive pas à bien capter les signaux de télévision.

Présynchronisation de canal

Mise en garde

- Par mesure de sécurité, ne tentez jamais de mettre en mémoire des canaux présynchronisés tout en conduisant.

- Vous pouvez mettre en mémoire jusqu'à 12 canaux sur chacune des bandes (TV1 et TV2).
- TV2 permet de mettre davantage de canaux présynchronisés en mémoire. Les canaux qu'il n'est pas possible de mettre en mémoire sur la bande TV1 peuvent être placés sur la bande TV2.
- Il est préférable de mettre tous les canaux présynchronisés sur la bande TV1 s'il y a assez de place sur cette dernière.

Remarque :

- Après cette opération, les nouveaux canaux écrasent les canaux précédemment sauvegardés.

Mise en mémoire automatique des canaux présynchronisés

Cette commande permet de sauvegarder automatiquement les canaux bien captés dans la mémoire de présynchronisation.

- Appuyez sur [BAND] (Bande) pour sélectionner la bande de télévision.
- Appuyez et maintenez enfoncée la touche [BAND] (Bande) pendant plus de 2 secondes.

Les 12 canaux dont la puissance du signal est la plus élevée seront mis dans la mémoire de présynchronisation sur chaque bande. (Ils sont énumérés dans l'ordre, à partir du numéro de canal le plus ancien.)

Rappel de canal présynchronisé

- Appuyez sur [BAND] (Bande) pour sélectionner la bande de télévision.
- Appuyez sur [^] ou [v] (PRESET) (Préréglage).



Numéro de canal présynchronisé sélectionné

Mise en mémoire d'un canal présynchronisé (PRESET WRITE)

Après la première mise en mémoire de canaux présynchronisés, vous pouvez les remplacer par vos canaux favoris.

Exemple :

Le canal 25 est mis en mémoire dans la liste des canaux présynchronisés TV1.

- Appuyez et maintenez enfoncée la touche [^] (PRESET) (Préréglage) pendant plus de 2 secondes. L'affichage du mode de mise en mémoire de canal présynchronisé apparaît.
- Appuyez sur [<] (CH DOWN) (Sélection du canal) ou [>] (CH UP) pour sélectionner le canal à mettre en mémoire.



Canal de télévision à mettre en mémoire

- Appuyez sur [ENT] (ENTER) (Entrée) ou [BAND] (Bande) pour valider.
- Appuyez sur [MENU] pour quitter le mode de mise en mémoire de canal présynchronisé.

Effacement d'un canal présynchronisé (PRESET DELETE)

Vous pouvez également effacer les canaux présynchronisés dont vous n'avez plus besoin.

Exemple :

Effacement du canal 30 de la liste des canaux présynchronisés TV1.

- Appuyez et maintenez enfoncée la touche [v] (PRESET) (Préréglage) pendant plus de 2 secondes. Le mode d'effacement de canal présynchronisé apparaît et le canal présynchronisé 1 est capté.
- Appuyez sur [^] ou [v] (PRESET) (Préréglage) pour sélectionner le canal présynchronisé à effacer.



Canal présynchronisé à effacer

- Appuyez sur [ENT] (ENTER) (Entrée) ou [BAND] (Bande) pour valider.
- Appuyez sur [MENU] pour quitter le mode d'effacement de canal présynchronisé.

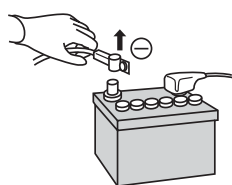
Préparatifs

19

⚠ Attention

- Veuillez respecter les lois et règlements de votre province ou pays pour installer l'appareil.
- Il est fortement recommandé de porter des gants lors de l'installation, pour vous protéger contre les blessures.

- Déconnectez le câble de la borne de batterie négative (-) (voir la mise en garde ci-dessous).



⚠ Attention

- Si le véhicule est équipé de coussins de sécurité gonflables et/ou d'un système antivol, il se peut que la connexion et la déconnexion de la batterie nécessitent des procédures spécifiques lors de l'installation.
- Avant de procéder à l'installation de ce composant électronique, contactez le concessionnaire ou le constructeur du véhicule pour connaître la procédure à suivre, et conformez-vous rigoureusement aux instructions reçues.
- LE NON-RESPECT DE LA PROCÉDURE À SUIVRE COMPORTE UN RISQUE DE DÉPLOIEMENT DES COUSSINS DE SÉCURITÉ GONFLABLES OU D'ACTIVATION DU SYSTÈME ANTIVOL PAR INADVERTANCE, DONT PEUVENT RÉSULTER DES DOMMAGES AU VÉHICULE OU UNE BLESSURE.

Précautions à prendre pour l'installation

Cet appareil doit être installé par un installateur professionnel.

En cas de problème, veuillez vous informer auprès du centre de service après-vente Panasonic agréé le plus près.

- 1 Cette chaîne doit être alimentée exclusivement au moyen d'une batterie (de véhicule) 12 V c.c. avec mise à la terre négative.
- 2 Suivez attentivement les instructions concernant les connexions électriques (page 60). Autrement vous risquez d'endommager l'appareil.
- 3 Ne connectez le fil d'alimentation qu'une fois toutes les autres connexions terminées.
- 4 Vous devez connecter le fil de batterie (jaune) à la borne positive (+) de la batterie ou du bloc-fusibles (BAT).
- 5 Isolez tous les câbles dénudés pour éviter les courts-circuits.
- 6 Fixez tous les câbles lâches après avoir installé l'appareil.
- 7 Veuillez lire attentivement toutes les instructions d'utilisation qui accompagnent les appareils respectifs avant de les raccorder à cet appareil.

Matériel d'installation (Pour l'installation)

No	Pièce	Schéma	Nombre
①	Vis taraudeuse (φ5×16 mm) (XTT5+16AFZ)		4
②	Bande velcro (YFX994C135ZA)		2
③	Fixation d'antenne		4
④	Fixation de cordon (pour l'antenne)		4

(YEP9FZ3041)

Matériel d'installation (Pour le câblage)

No	Pièce	Schéma	Nombre
⑤	Connecteur d'alimentation (YEAJ012884)		1
⑥	Câble de connexion de l'unité d'opération/module d'extension (3 m) (YEAJ071812) (pour le module d'extension)		1
⑦	Cordon RCA (3m) (YEAJ071819) (pour le connecteur vidéo)		1
⑧	Cordon RCA (3m) (YEAJ071820) (pour le connecteur audio)		1
⑨	Cordon RCA (3m) (YEAJ071821) (pour le connecteur de télécommande)		1
⑩	Connecteur avec serre-câble (YEAT034C012)		1

Remarques :

- Le numéro indiqué entre parenthèses sous le nom des accessoires respectifs correspond au numéro de pièce pour l'entretien et le service.
- Les accessoires et les numéros de pièce correspondants sont sujets à modification sans préavis lorsque des améliorations sont apportées.
- Utilisez exclusivement les vis fournies pour l'installation. Si vous en perdez une, veuillez commander la vis en question.

20

Installation (suite)

Montage du syntonisateur

⚠ Attention

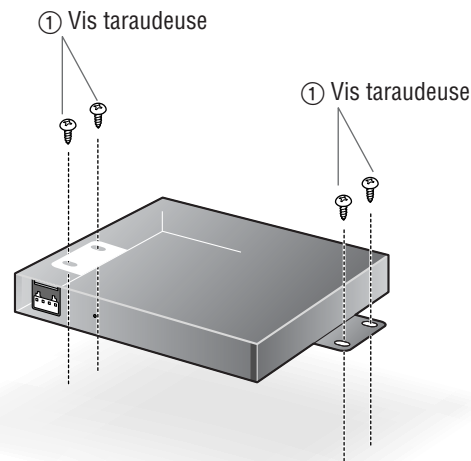
- Ne montez jamais l'appareil dans un des emplacements suivants, pour éviter tout dommage causé par une surchauffe.
 - Près de la sortie d'air d'un appareil de chauffage.
 - Endroits tels que le tableau de bord ou la plage arrière, où ils sera exposé directement aux rayons du soleil.
- Ne montez pas l'appareil près de la porte, où il risque d'être exposé à la pluie.
- Vous risquez d'affaiblir le support (de moteur, de carrosserie) ou d'endommager le réservoir à essence, le faisceau de fils ou un autre composant du véhicule en y perçant un trou.

Pour monter l'appareil sur une surface inclinée, une bande velcro sera trop faible et il est recommandé d'utiliser des vis.

Remarques :

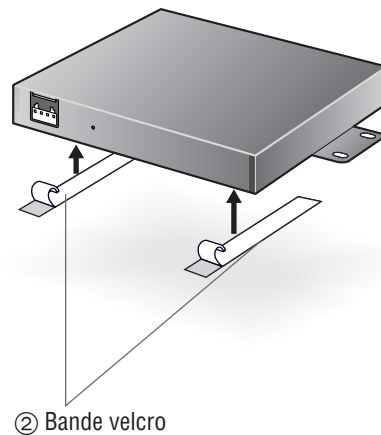
- Appliquez un produit anticorrosif dans les orifices et sur les vis taraudeuse.
- Laissez une distance sécuritaire entre l'appareil et les autres appareils électroniques.

Installation de l'appareil avec la vis autotaraudeuse ①. (Recommandé)



Montez l'appareil sur le tapis du véhicule avec la bande velcro ②.

Fixez la face adhésive de la bande velcro ② sur l'appareil, puis montez l'appareil sur le tapis.



Remarque :

- Il se peut que le matériau de certains tapis ne convienne pas pour cette méthode de montage. Le cas échéant, veuillez vous informer auprès du centre de service après-vente Panasonic concernant l'installation.

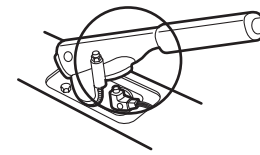
21

Raccordement du fil de connexion du frein de stationnement (frein à main)

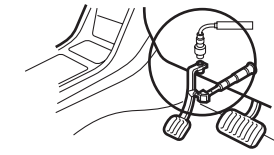
⚠ Attention

- Pour votre propre sécurité, demandez à un installateur professionnel d'effectuer ce raccordement.

Frein à main

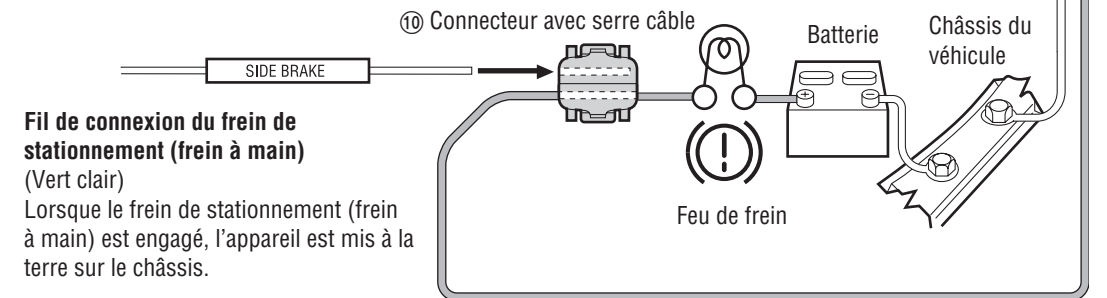


Pédale de frein



Commutateur du frein à main (frein de stationnement)

La position du commutateur de frein de stationnement (frein à main) varie d'un modèle de véhicule à l'autre. Pour plus de détails sur l'emplacement exact du commutateur de frein à main (frein de stationnement) dans votre véhicule, informez-vous auprès de votre concessionnaire.



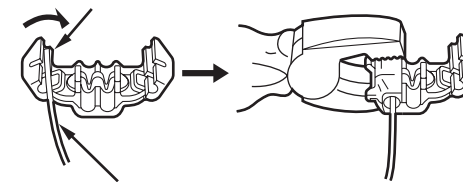
Fil de connexion du frein de stationnement (frein à main) (Vert clair)

Lorsque le frein de stationnement (frein à main) est engagé, l'appareil est mis à la terre sur le châssis.

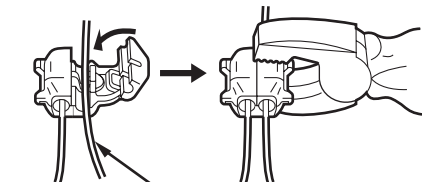
- 1 Fixez le connecteur avec serre câble ⑩ à l'extrémité du fil de connexion du frein de stationnement (frein à main).

- 2 Le connecteur avec serre câble ⑩ se connecte au fil de source d'alimentation du levier du frein de stationnement (frein à main).

Faire avancer jusqu'ici.



Fil de connexion du frein de stationnement (frein à main) (Vert clair)



Fil du côté source d'alimentation

22

Montage de l'antenne de télévision

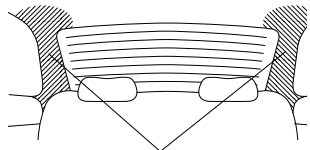
23

⚠ Attention

- Vous devez installer l'antenne de télévision du côté intérieur de la lunette arrière.
- Vous devez connecter le fil d'alimentation de l'antenne de télévision sur l'alimentation ACC de 12 V c.c.
- Maintenez autant que possible l'antenne à l'écart des cordons d'amplificateur externe et de haut-parleur arrière.

Préparatifs :

Retirez le revêtement des deux côtés de la lunette arrière pour effectuer la mise à la terre.

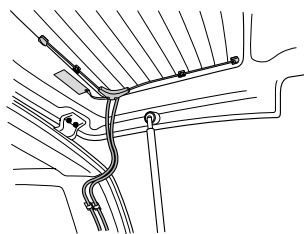


Retirez le revêtement.

Respectez ce qui suit pour améliorer l'adhésion.

- Passez un chiffon doux et humide sur la surface intérieure de la lunette arrière, le long du fil de chauffage. Évitez de laisser des gouttes d'eau sur la vitre.
- Si la température extérieure est inférieure à 20 °C (68 °F), activez le désembueur de lunette arrière sur le système de chauffage du véhicule pour réchauffer la surface de la lunette arrière pendant environ 5 minutes.

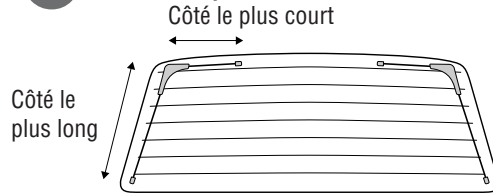
Pour les véhicules bicorps :



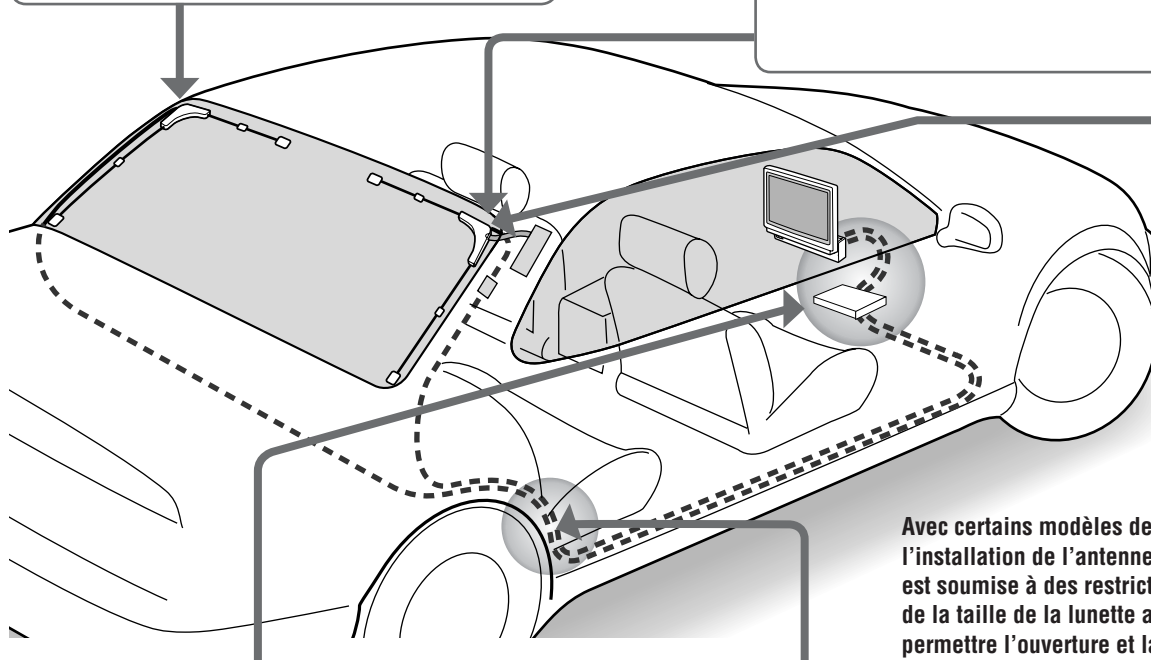
Collez soigneusement la prise de terre et tenez la section d'antenne libre avec la fixation d'antenne ③ de sorte que cette section d'antenne ne se coince pas dans la porte du bicorps.

Ajustez la longueur du cordon de sorte qu'il ne nuise pas au déplacement de la porte du bicorps, et fixez le cordon avec la fixation à cordon ④.

1 Redressez la section d'antenne pliée. Vérifiez les positions d'adhésion.



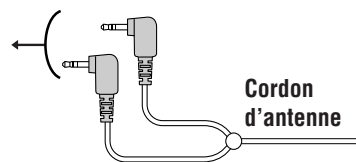
Vérifiez la position de l'antenne puis fixez-la temporairement avec du ruban adhésif.



Avec certains modèles de véhicule l'installation de l'antenne de télévision est soumise à des restrictions en raison de la taille de la lunette arrière ou pour permettre l'ouverture et la fermeture de la portière. Informez-vous auprès de votre concessionnaire.

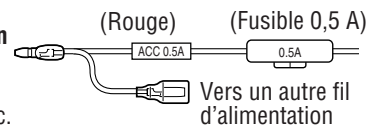
5 Identification du câble d'antenne (pour chaque antenne)

Vers le connecteur d'antenne de télévision sur l'appareil.



Cordon d'antenne

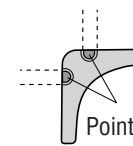
Fil d'alimentation
Vers l'alimentation ACC, +12 V c.c.



Fil de mise à la terre
Vers une partie métallique propre et dénudée du châssis du véhicule.



2 Insérez la prise de terre dans le corps de l'antenne et tenez la section d'antenne avec la fixation d'antenne ③.

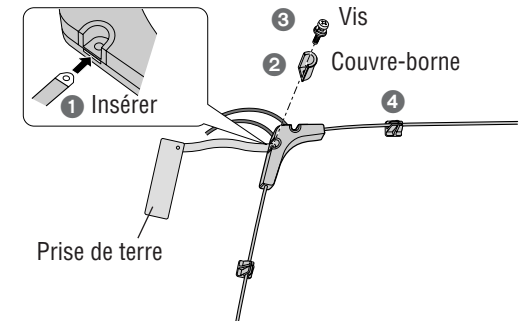


Points de vissage

Choisissez un point de vissage adéquat pour que la prise de terre adhère à une pièce métallique, puis retirez la vis et le couvre-borne.

Suivez les étapes ci-dessous pour installer la prise de terre.

- 1 Insérez la prise de terre dans le corps de l'antenne.
- 2 Tenez la prise de terre avec le couvre-borne.
- 3 Vissez la prise de terre.
- 4 Tenez la section d'antenne avec la fixation d'antenne ③.



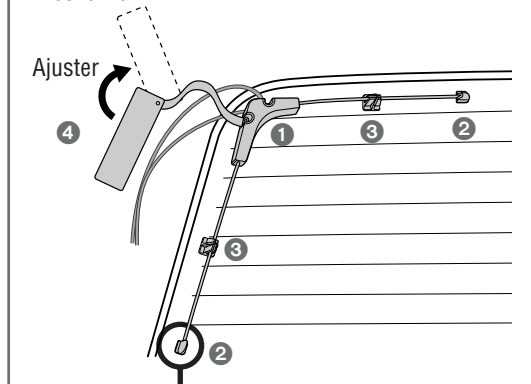
⚠ Attention

- Vous devez connecter la prise de terre. Autrement, il y aura une baisse de sensibilité.

3 Détachez la feuille à l'arrière du corps de l'antenne et collez-la. Ensuite, collez la prise de terre sur une pièce métallique.

Suivez les étapes ci-dessous pour coller solidement l'antenne.

- 1 Collez le corps de l'antenne.
- 2 Redressez la section d'antenne et collez-la.
- 3 Placez la fixation d'antenne ③ au centre de la section d'antenne.
- 4 Ajustez l'angle et la position de la prise de terre et collez-la.



Avec certains modèles de véhicule, il n'est pas possible de redresser la section d'antenne la plus longue.

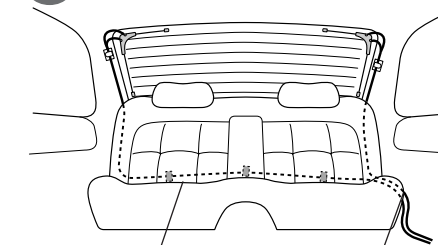
Courbe douce

⊘ Sans pli

⚠ Attention

- Évitez de toucher la surface adhésive.
- Pour éviter toute diminution de la puissance adhésive, ne collez qu'une fois.
- Évitez le plus possible de coller sur un fil de chauffage.

4 Passage du cordon Tenez le cordon avec la fixation de cordon ④.



Faites passer le cordon derrière le siège arrière et collez-le avec du ruban adhésif.

Faites passer le cordon à l'intérieur du revêtement, sous le tapis.

24

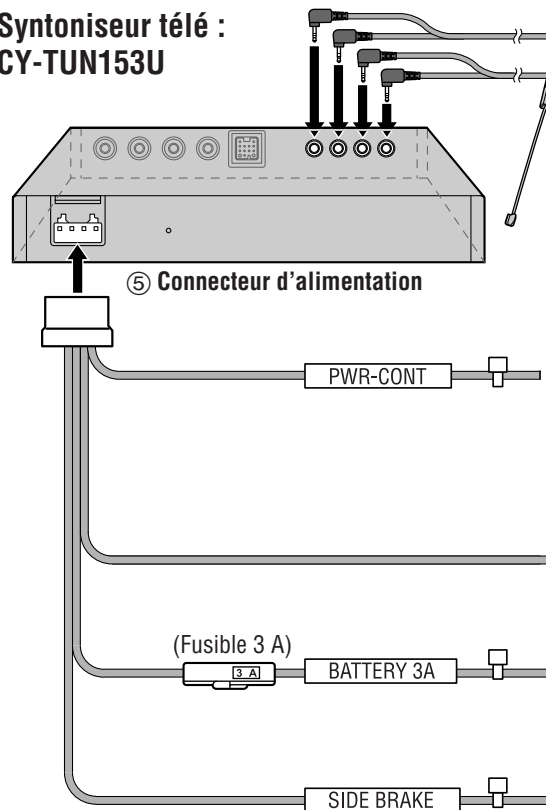
Raccordements électriques

Schéma de câblage

⚠ Attention

- Cet appareil est conçu pour l'utilisation dans un véhicule équipé d'une batterie 12 V avec mise à la terre négative.
- Pour éviter d'endommager l'appareil, suivez rigoureusement les indications du schéma de raccordement ci-dessous.
- N'insérez pas le connecteur d'alimentation dans l'appareil avant que tout le câblage ne soit terminé.
- Isolez tous les fils dénudés pour éviter tout court-circuit éventuel au contact du châssis du véhicule. Regroupez tous les câbles et empêchez-les de toucher toute pièce métallique.
- Notez que si le véhicule est équipé d'un ordinateur de conduite ou de navigation routière, la mémoire de ce dernier risque d'être effacée si vous déconnectez le câble de la batterie.
- Faites passer les cordons de façon à éviter les points où la température peut devenir très élevée.
- Placez une housse en vinyle pardessus les bornes de batterie non utilisées pour éviter tout contact avec des pièces en métal ou autre.

Syntoniseur télé : CY-TUN153U



Antenne de télévision
Reportez-vous à la page 58 pour la connexion de l'antenne de télévision.

Fil de commande de puissance
(Bleu rayé blanc)
Vers le fil de commande de puissance d'amplificateur externe sur l'unité d'opération.
Vers l'alimentation ACC, +12 V c.c., si l'unité d'opération n'a pas de fil de commande de puissance d'amplificateur externe.

Fil de mise à la terre
(Noir)
Vers une partie métallique propre et dénudée du châssis du véhicule.

Fil de la batterie
(Jaune)
Vers la batterie du véhicule, +12 V c.c. ininterrompu.

Fil de connexion du frein de stationnement (frein à main)
(Vert clair)
Vous devez connecter le frein de sécurité (frein à main) par mesure de sécurité et pour prévenir les accidents.

Si le module d'extension (CY-EM100U, en option) n'est pas connecté et qu'ACC n'est pas monté sur le véhicule :

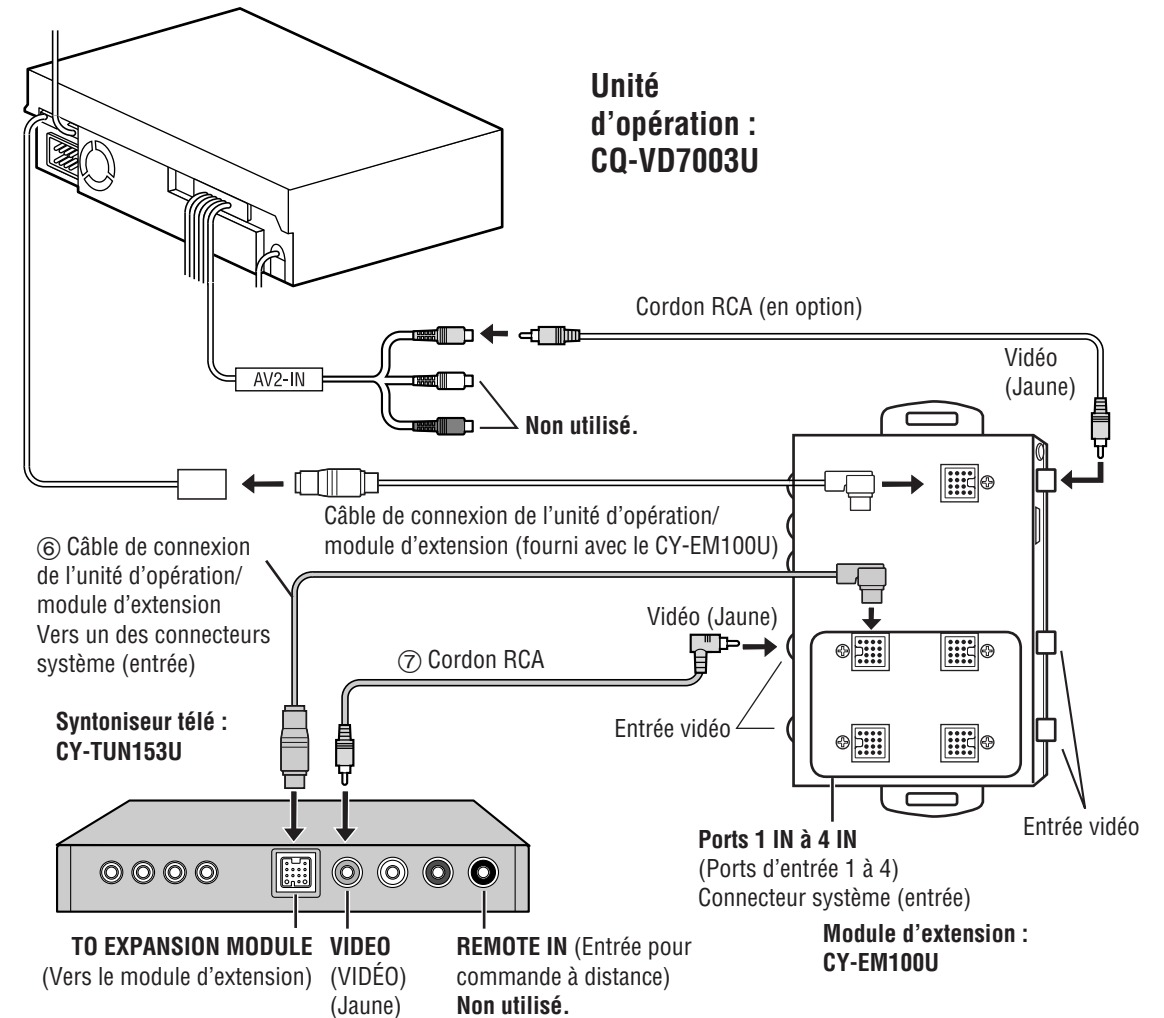
- Connectez le fil de commande de puissance de cet appareil au fil de commande de puissance d'amplificateur externe sur l'unité d'opération. Si vous n'effectuez pas cette connexion, la batterie s'épuisera.

Remarques :

- Enlevez environ 5 mm aux deux extrémités du fil pour le connecter.
- Vous devez insérer à fond les connecteurs. Fixez-les au moyen de fixations et de ruban.
- Toute autre méthode d'installation exige l'utilisation de fixations métalliques spéciales. Informez-vous auprès d'un technicien de service qualifié ou de votre détaillant si vous devez utiliser une autre méthode.

Cet appareil ne peut pas fonctionner de manière autonome.
Cet appareil est conçu de telle sorte que les utilisateurs puissent raccorder simultanément un ou plusieurs composants à une chaîne audio pour véhicule ou à un appareil audiovisuel Panasonic.

Raccordement à l'unité d'opération (CQ-VD7003U) et au module d'extension (CY-EM100U)



Remarques :

- Reportez-vous aux instructions spécifiques et aux modes d'emploi des appareils respectifs pour les détails d'installation et de câblage.
- Raccordez cet appareil au module d'extension (CY-EM100U, en option) avec le câble de connexion de l'unité d'opération/module d'extension et le cordon RCA (vidéo) (fourni).
- Si vous avez connecté au connecteur système un appareil doté d'une sortie vidéo, connectez le câble vidéo au connecteur d'entrée qui se trouve sous le port auquel le connecteur système est connecté.

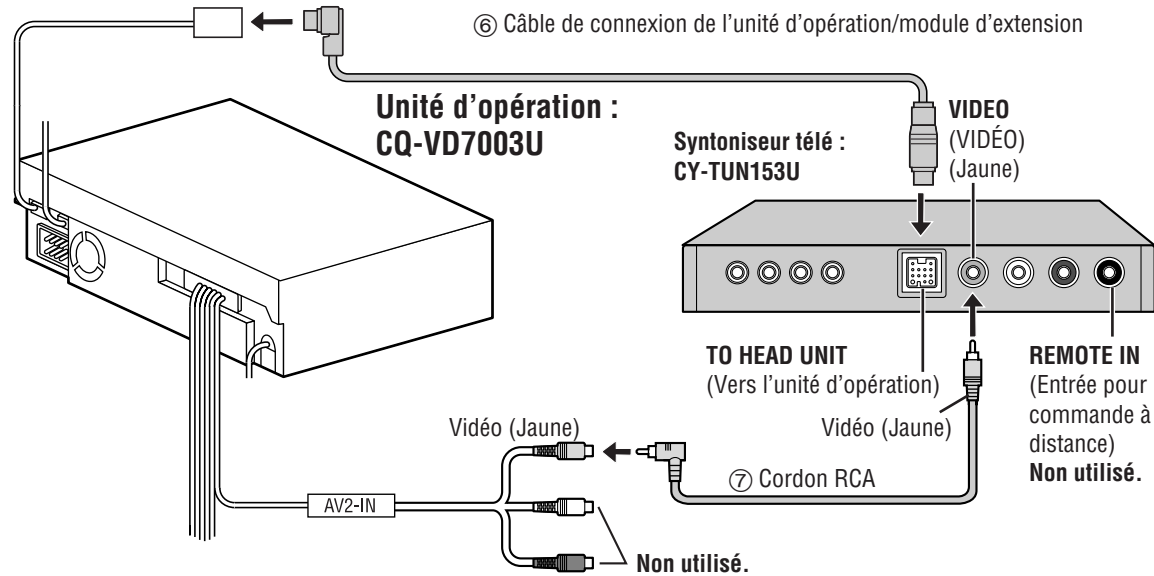
Remarque sur la télécommande de l'unité d'opération (page 47) :

- Avec certaines unités d'opération, il se peut que la télécommande de l'unité d'opération n'ait pas de touches dédiées aux commandes de télévision, par conséquent certaines commandes ne seront pas disponibles pour l'utilisation de la télévision. Cela n'indique donc pas un dysfonctionnement du syntonisateur ou de l'unité d'opération.

Unité d'opération avec connecteur système

27

Raccordement à l'unité d'opération (CQ-VD7003U)



Remarques :

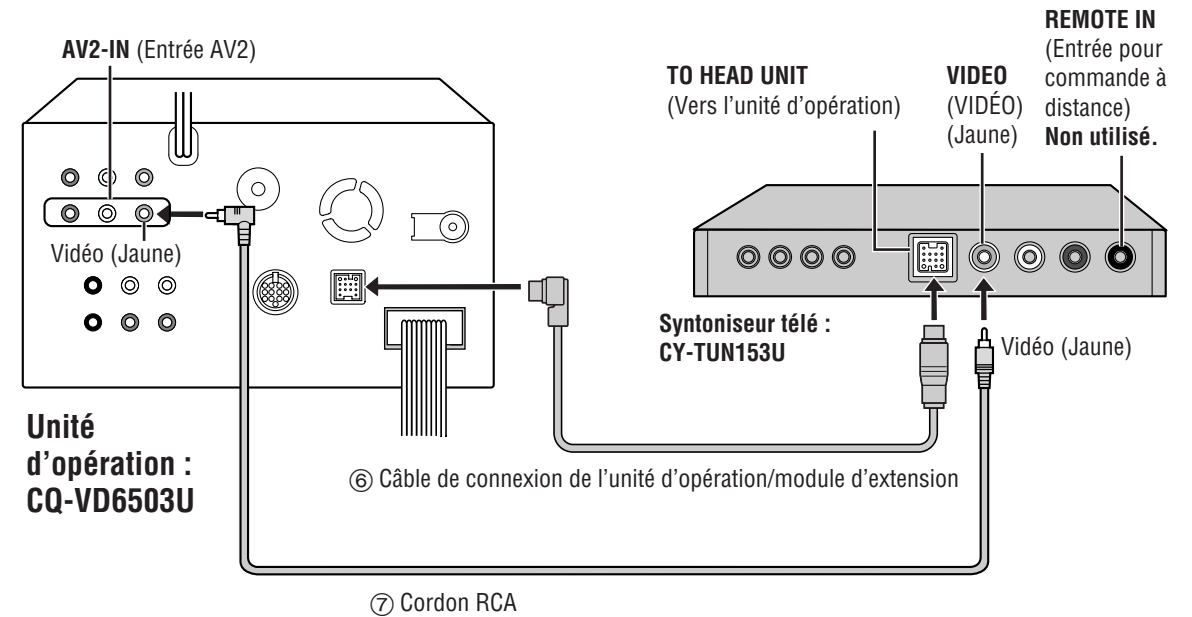
- Reportez-vous aux instructions spécifiques et aux modes d'emploi des appareils respectifs pour les détails d'installation et de câblage.
- Raccordez cet appareil à l'unité d'opération (CQ-VD7003U, en option) avec le câble de connexion de l'unité d'opération/module d'extension et le cordon RCA (vidéo) (fourni).

Remarque sur la télécommande de l'unité d'opération (page 47) :

- Avec certaines unités d'opération, il se peut que la télécommande de l'unité d'opération n'ait pas de touches dédiées aux commandes de télévision, par conséquent certaines commandes ne seront pas disponibles pour l'utilisation du téléviseur. Cela n'indique donc pas un dysfonctionnement du syntonisateur ou de l'unité d'opération.

Raccordement à l'unité d'opération (CQ-VD6503U)

28



Remarques :

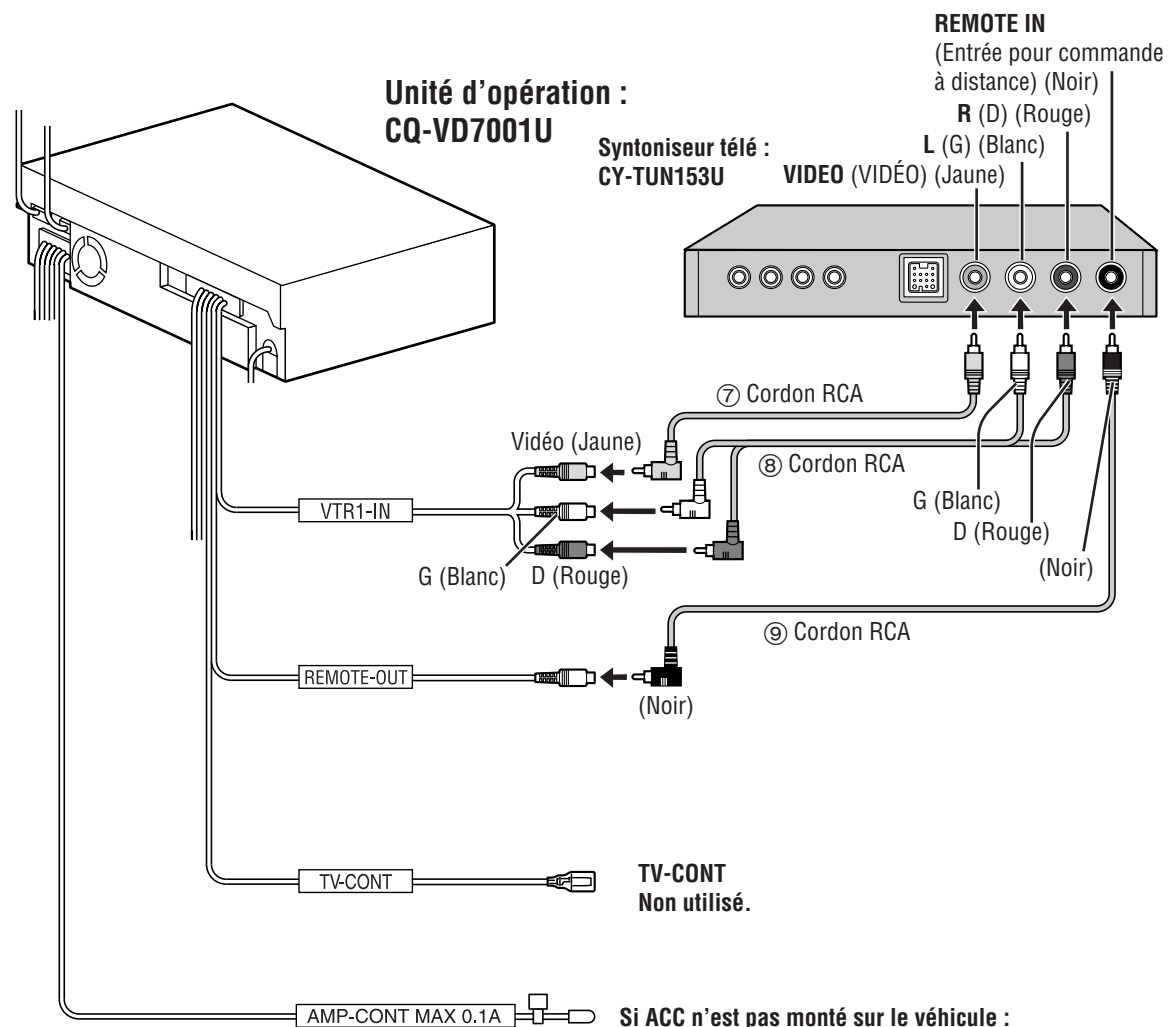
- Reportez-vous aux instructions spécifiques et aux modes d'emploi des appareils respectifs pour les détails d'installation et de câblage.
- Raccordez cet appareil à l'unité d'opération (CQ-VD6503U, en option) avec le câble de connexion de l'unité d'opération/module d'extension et le cordon RCA (vidéo) (fourni).

Remarque sur la télécommande de l'unité d'opération (page 47) :

- Avec certaines unités d'opération, il se peut que la télécommande de l'unité d'opération n'ait pas de touches dédiées aux commandes de télévision, par conséquent certaines commandes ne seront pas disponibles pour l'utilisation du téléviseur. Cela n'indique donc pas un dysfonctionnement du syntonisateur ou de l'unité d'opération.

Unité d'opération sans connecteur système

Raccordement à l'unité d'opération (CQ-VD7001U)



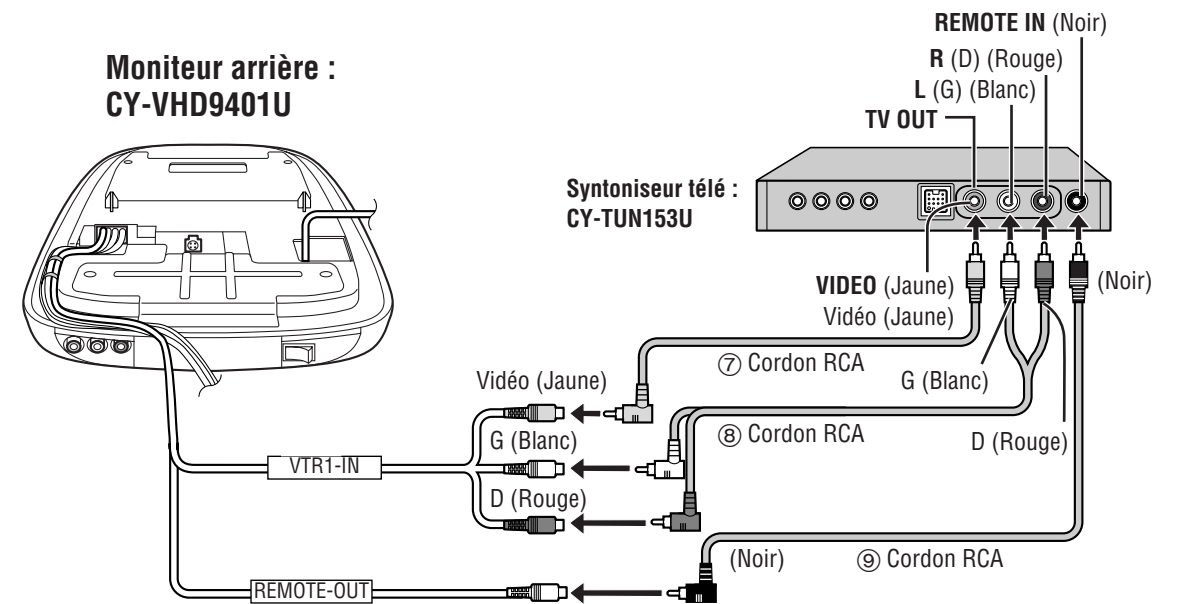
Remarques :

- Reportez-vous aux instructions spécifiques et aux modes d'emploi des appareils respectifs pour les détails d'installation et de câblage.
- Raccordez cet appareil à l'unité d'opération (CQ-VD7001U, en option) avec le cordon RCA (vidéo, audio, commande à distance) (fourni).

Si ACC n'est pas monté sur le véhicule :

- Connectez le fil de commande de puissance de cet appareil au fil de commande de puissance d'amplificateur externe sur l'unité d'opération. Si vous n'effectuez pas cette connexion, la batterie s'épuisera.

Raccordement au moniteur arrière (CY-VHD9401U)



Remarque :

- Reportez-vous aux instructions spécifiques et aux modes d'emploi des appareils respectifs pour les détails d'installation et de câblage.
- Raccordez cet appareil au moniteur arrière (CY-VHD9401U, en option) avec le cordon RCA (vidéo, audio, commande à distance) (fourni).

Lors du raccordement du moniteur arrière (CY-V7001U, en option)

- Reportez-vous aux instructions spécifiques et aux modes d'emploi des appareils respectifs pour les détails d'installation et de câblage.
- Raccordez cet appareil au moniteur arrière (CY-V7001U, en option) avec le cordon RCA (vidéo, audio, commande à distance) (fourni).
- Il est possible de raccorder le moniteur arrière à cet appareil, mais l'audio ne sera pas émis par le récepteur (en option).

Si vous soupçonnez une anomalie

Faites les vérifications et prenez les mesures décrites ci-dessous.

Si les suggestions proposées ne permettent pas de régler le problème, il est recommandé d'apporter l'appareil au centre de service après-vente Panasonic agréé le plus près. La réparation de cet appareil doit être confiée à un technicien qualifié. Veuillez confier les vérifications et réparations à des professionnels. Panasonic décline toute responsabilité quant aux accidents survenus en conséquence d'une négligence concernant la vérification de l'appareil ou d'une réparation par l'utilisateur lui-même suite à une vérification.

Évitez tout particulièrement de prendre des mesures autres que celles indiquées en italiques dans la section "Solution possible" ci-dessous, lesdites mesures étant trop dangereuses pour être prises par l'utilisateur lui-même.

⚠ Mise en garde

- N'utilisez pas l'appareil lorsqu'il est dans un état anormal, par exemple s'il n'émet aucun son, ou s'il dégage de la fumée ou une odeur nauséabonde ; il y a risque de feu ou de choc électrique. Cessez immédiatement d'utiliser l'appareil et informez-vous auprès de votre détaillant.
- Vous ne devez en aucun cas tenter de réparer vous-même l'appareil, car cela est dangereux.

Problèmes communs

Problème	Cause possible → Solution possible
Pas d'alimentation sur l'appareil.	<p>Les fils d'alimentation sont inversés (batterie, alimentation et mise à la terre). → Vérifiez le câblage.</p> <p>Le fusible a sauté. → Réglez le problème à l'origine du fusible sauté, puis remplacez ce dernier par un neuf. Informez-vous auprès de votre détaillant.</p>
Il y a du brouillage.	<p>Il y a un appareil qui génère des ondes électromagnétiques (téléphone cellulaire, etc.) à proximité de l'appareil ou de ses fils électriques. → Maintenez à l'écart de l'appareil et de ses câbles l'appareil qui génère des ondes électromagnétiques (téléphone cellulaire, etc.). S'il n'est pas possible d'éliminer ce brouillage parce qu'il provient d'un faisceau Des fils du véhicule, informez-vous auprès de votre détaillant.</p> <p>Le contact du fil de mise à la terre est mauvais. → Assurez-vous que le fil de mise à la terre est solidement connecté à une partie du châssis non recouverte de peinture.</p>
Un bruit est émis au même rythme que le moteur qui tourne.	<p>Le bruit provient de l'alternateur du véhicule. → Changez la position du fil de mise à la terre. → Installez un filtre antiparasite sur la source d'alimentation.</p>
Certaines commandes sont inopérantes.	<p>Dans certains modes, comme le mode de menu, certaines commandes sont inopérantes. → Lisez attentivement les instructions d'utilisation et annulez le mode activé. Si l'appareil ne fonctionne toujours pas, informez-vous auprès de votre détaillant.</p>

Problèmes communs (suite)

Problème	Cause possible → Solution possible
La réception est mauvaise ou brouillée. Impossible de capter les canaux de télévision.	<p>L'antenne DIVER (diversité) est réglée sur "OFF". → Pour une bonne réception, réglez-la sur "ON".</p> <p>L'antenne est mal installée ou son câble est mal connecté. → Assurez-vous que l'antenne est montée en position adéquate et que le câblage est correct. Assurez-vous également que le fil de mise à la terre de l'antenne est bien connecté au châssis.</p>
L'appareil s'éteint intempestivement.	<p>Le dispositif de sécurité s'active. → Informez-vous auprès de votre détaillant ou du centre de service après-vente Panasonic le plus près.</p>
Le mise en mémoire automatique des canaux présintonisés comprend moins de 12 canaux.	<p>Le nombre de canaux qu'il est possible de capter est inférieur à 12. → Déplacez le véhicule en un endroit où la qualité de réception est maximale, puis recommencez la mise en mémoire des canaux présintonisés.</p>
La mise en mémoire de canaux présintonisés n'est pas possible.	<p>→ Vérifiez le fonctionnement de la présintonisation, et mettez à nouveau les canaux en mémoire de présintonisation.</p> <p>Le contact du fil de batterie est mauvais ou l'alimentation n'est pas permanente sur le fil de batterie. → Assurez-vous que le fil de batterie est solidement connecté, puis reprenez la mise en mémoire des canaux présintonisés.</p>

Télécommande

Problème	Cause possible → Solution possible
La pression sur les touches est sans effet.	<p>La pile est insérée dans le mauvais sens. La pile insérée n'est pas du bon type. → Insérez une pile du bon type, dans le bon sens.</p> <p>La pile est faible. → Remplacez la pile par une neuve.</p> <p>La télécommande est dirigée dans la mauvaise direction. → Orientez la télécommande vers le détecteur de télécommande et appuyez sur les touche.</p> <p>Le câblage est dans le mauvais sens. → Vérifiez le raccordement du câble de connexion de l'unité d'opération/module d'extension si l'unité d'opération est la CQ-VD7003U ou la CQ-VD6503U (en option).</p> <p>Le capteur est exposé directement aux rayons du soleil. (La télécommande risque d'être inutilisable lorsque le capteur est exposé directement aux rayons du soleil ; il ne s'agit pas d'un dysfonctionnement de la chaîne dans ce cas.) → Protégez le capteur contre la lumière du soleil.</p>

Dépannage (suite)

Réparation de l'appareil

Si les suggestions du tableau ne permettent pas de régler le problème, nous vous recommandons d'apporter l'appareil au centre de service après-vente agréé Panasonic le plus près. La réparation de cet appareil doit être confiée à un technicien qualifié.

Remplacement du fusible

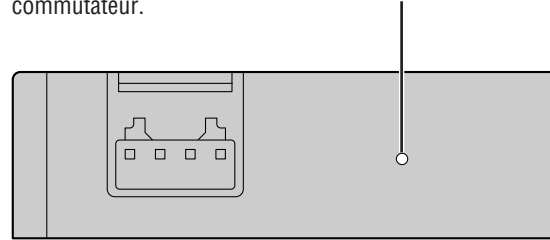
Utilisez des fusibles dont la capacité est la même que celle spécifiée (3 A). L'utilisation de substituts ou de fusibles à capacité plus élevée, ou encore le raccordement direct sans fusible peuvent causer un incendie ou endommager l'appareil.

Si le remplacement du fusible ne règle pas le problème, informez-vous auprès du centre de service après-vente Panasonic le plus près pour la réparation.

Si l'appareil ne fonctionne pas

Commutateur de réinitialisation

Insérez une tige dure et mince dans l'orifice et enfoncez le commutateur.



IMPORTANT

N'enfoncez le commutateur que si toutes les touches de l'appareil ne répondent plus. (Les paramètres et réglages mis en mémoire ne seront pas effacés.) Si cela ne rétablit pas le fonctionnement normal de l'appareil, appelez le centre de service après-vente Panasonic le plus près et faites une demande de réparation.

Syntonisateur pour télévision analogique uniquement

Cet appareil n'est pas compatible avec la télédiffusion numérique.

Transition des télédiffusions analogiques aux télédiffusions numériques :

La télédiffusion numérique a commencé dans certains pays et régions. Elle devrait s'étendre graduellement aux autres pays et régions.

Impact sur cet appareil :

Certains pays et régions apportent des modifications à leurs canaux de télédiffusion analogique pour intégrer les canaux nécessaires au lancement de la télédiffusion numérique.

Les effets anticipés qui suivent ne seront donc pas dus à un dysfonctionnement de cet appareil :

- Il peut devenir impossible de capter les émissions sur les canaux précédemment mis en mémoire.
- Une chaîne de télévision différente peut être captée sur un canal précédemment mis en mémoire.
- Certains canaux peuvent être sélectionnés (mis en mémoire) même si l'image ne peut être affichée.

Solution :

Consultez le présent mode d'emploi pour sélectionner à nouveau les canaux (remplacer ceux déjà en mémoire).

Fiche technique

Généralités

Alimentation :	12 V c.c. (11 V à 16 V), tension d'essai 14,4 V prise de masse négative
Consommation :	Moins de 0,5 A
Signal de sortie vidéo :	Signal vidéo composite 1,0 V c-à-c (75 Ω)
Signal de sortie audio :	1 Vrms à 400 Hz (avec modulation 100%)
Dimensions (L×H×P) :	156×22,5×150 mm {6 ³ / ₁₆ ×1 ⁵ / ₁₆ ×5 ¹⁵ / ₁₆ po}
Poids :	650 g {1 lb 7 oz}

Section télévision

Sensibilité utilisable :	36 dB/μV
--------------------------	----------

Antenne diversité

Alimentation :	12 V c.c. (11 V à 16 V), tension d'essai 14,4 V prise de masse négative
Consommation :	Moins de 0,1 A
Impédance de sortie :	75 Ω×4 (avec mini-fiche)
Longueur du cordon :	6 m
Dimensions (L×H×P) :	480×340×20 mm {18 ¹⁵ / ₁₆ ×13 ⁷ / ₁₆ ×1 ³ / ₁₆ po}
Poids (de chaque appareil) :	330 g {12 oz} (y compris le câble)

Remarques :

- Les spécifications et la conception sont sujettes à modifications sans préavis lorsque des améliorations sont apportées.
- Certaines figures et illustrations de ce manuel peuvent être différentes de votre appareil.

Información de seguridad

- ❑ Antes de utilizar este sistema, lea detenidamente las instrucciones de funcionamiento de la unidad y del resto de componentes del sistema de audio de su vehículo. En ellas encontrará instrucciones para utilizar el sistema de forma segura y efectiva. Panasonic no se responsabiliza de los problemas que puedan ocasionarse por no haber respetado las instrucciones de este manual.



Advertencia

Este pictograma le advierte de una instrucción de funcionamiento muy importante. El incumplimiento de las instrucciones puede tener como consecuencia lesiones graves o incluso la muerte.

- ❑ En este manual se utilizan pictogramas que ilustran el modo de utilizar este producto con seguridad y advierten de los peligros potenciales que pueden producirse al realizar conexiones u operaciones que no son las adecuadas. El significado de los pictogramas se describe a continuación. Para poder usar este manual y el sistema correctamente, es muy importante que comprenda el significado de los pictogramas.



Precaución

Este pictograma le advierte de una instrucción de funcionamiento muy importante. El incumplimiento de las instrucciones puede tener como consecuencia lesiones o daños en el material.

Esta unidad no funciona por sí sola.

Esta unidad está diseñada para que los usuarios puedan conectar al mismo tiempo uno o varios dispositivos de sistema a la unidad de audio/vídeo para automóvil de Panasonic. Para más detalles sobre información de seguridad, consulte las instrucciones para dispositivos conectados.

Advertencia

Respete las siguientes advertencias cuando utilice la unidad.

- ❑ **El conductor no debe mirar nunca la pantalla ni utilizar el sistema durante la conducción.**
Al mirar la pantalla o utilizar el sistema, el conductor aparta la vista de la carretera y puede provocar un accidente. Detenga siempre el vehículo en un lugar seguro y accione el freno de estacionamiento antes de mirar la pantalla o utilizar el sistema.
- ❑ **Utilice la fuente de alimentación adecuada.**
Este producto está diseñado para utilizarse con un sistema de baterías CC de 12 V con conexión a tierra negativa. No utilice nunca este producto con otro sistema de baterías, especialmente si es un sistema de baterías CC de 24 V.
- ❑ **Para evitar el riesgo de accidentes, mantenga la batería lejos del alcance de los niños. En caso de ingestión, acuda de urgencia al médico.**
Las baterías y el plástico aislante pueden ingerirse, por lo que deben mantenerse apartados de los más pequeños. Si un menor ingiere una batería o plástico aislante, acuda de urgencia al médico.

- ❑ **No desmonte ni modifique la unidad.**
No desmonte, modifique ni intente reparar el producto. Si es necesario reparar el producto, póngase en contacto con su distribuidor o un centro de asistencia técnica Panasonic.
- ❑ **No utilice la unidad cuando esté averiada.**
Si la unidad está averiada (no hay alimentación ni sonido) o se encuentra en un estado que no es normal (han penetrado objetos extraños, ha entrado en contacto con agua, sale humo o huele), apáguela de inmediato y póngase en contacto con su distribuidor.
- ❑ **El mando a distancia no debe estar suelto en el interior del vehículo.**
Si el mando a distancia está suelto, podría caer al piso del vehículo durante la conducción, quedar atrapado bajo el pedal del freno y provocar un accidente de tráfico.
- ❑ **La sustitución de fusibles debe realizarla un técnico cualificado.**
Cuando se funde un fusible, elimine el origen del problema y solicite que un técnico cualificado lo reemplace por otro fusible. La sustitución incorrecta de los fusibles puede generar humo, un incendio y dañar el producto.
- ❑ **Al conectar dispositivos externos (opción), asegúrese de conectar el cable de conexión del freno de estacionamiento (freno de mano).**
- ❑ **Para su seguridad, no intente nunca presintonizar los canales durante la conducción.**

Advertencia

Respete las siguientes advertencias durante la instalación.

- ❑ **Antes de la instalación, desconecte el cable del terminal negativo (-) de la batería.**
La instalación y el cableado con el terminal negativo (-) de la batería conectado puede provocar descargas eléctricas y lesiones debido a un cortocircuito. Algunos vehículos equipados con sistema de seguridad eléctrico disponen de procedimientos específicos para la desconexión de los terminales de la batería.
EL INCUMPLIMIENTO DE ESTE PROCEDIMIENTO PUEDE OCASIONAR LA ACTIVACIÓN ACCIDENTAL DEL SISTEMA DE SEGURIDAD ELÉCTRICO Y CAUSAR DAÑOS AL VEHÍCULO, LESIONES PERSONALES O INCLUSO LA MUERTE.
- ❑ **No utilice nunca componentes relacionados con la seguridad para la instalación, la conexión a tierra y otras funciones parecidas.**
No utilice componentes del vehículo relacionados con la seguridad (depósito de combustible, freno, suspensión, volante, pedales, airbags, etc.) para la conexión o reparación del producto o sus accesorios.
- ❑ **La instalación del producto en la cubierta del airbag o en un lugar donde pueda interferir con el funcionamiento del airbag está totalmente prohibida.**
- ❑ **Antes de instalar el producto, compruebe los conductos, el depósito de combustible, las conexiones eléctricas y otros componentes.**
Si debe practicar un orificio en el chasis del vehículo para montar o conectar el producto, compruebe primero dónde se encuentra el cableado, el depósito de combustible y las conexiones eléctricas. A continuación, practique el orificio desde el exterior, si es posible.
- ❑ **No ramifique nunca el cable de alimentación para suministrar energía a otros equipos.**
- ❑ **Después de realizar la instalación y las conexiones, debería comprobar si el resto de equipos eléctricos funcionan correctamente.**
El uso de equipos eléctricos en condiciones anormales puede tener como consecuencia un incendio, descargas eléctricas o accidentes de tráfico.
- ❑ **Si la instalación se realiza en un vehículo equipado con airbag, consulte las advertencias y precauciones del fabricante del vehículo antes de la instalación.**
- ❑ **Asegúrese de que los cables de conexión no interfieran en la conducción ni entren o salgan del vehículo.**
- ❑ **Aísle todos los cables expuestos para evitar cortocircuitos.**
- ❑ **Nunca intente reparar la unidad, puesto que puede resultar peligroso.**

Precaución

Respete las siguientes precauciones cuando utilice esta unidad.

Esta unidad se ha diseñado para el uso exclusivo en automóviles.

No utilice la unidad mucho tiempo seguido con el motor apagado.

El uso del sistema de audio durante mucho tiempo seguido con el motor apagado agotará la batería.

No exponga la unidad a la luz solar directa o a un calor excesivo.

De lo contrario, la temperatura interior de la unidad aumentará y podría generarse humo, un incendio o daños en la unidad.

No utilice la unidad donde exista el riesgo de que entre en contacto con agua, humedad o polvo.

La exposición de la unidad a agua, humedad o polvo puede generar humo, incendios o daños en la unidad. Asegúrese especialmente de que la unidad no se moje al lavar el coche o en días lluviosos.

Respete las siguientes precauciones durante la instalación.

Si el vehículo está equipado con un sistema de airbags o un sistema antirrobo, deberá seguir unos procedimientos concretos de conexión y desconexión de la batería para instalar este producto.

EL INCUMPLIMIENTO DE ESTE PROCEDIMIENTO PUEDE TENER COMO RESULTADO LA ACTIVACIÓN ACCIDENTAL DE LOS AIRBAGS O DEL SISTEMA ANTIRROBO, CON LOS CONSIGUIENTES DAÑOS AL VEHÍCULO Y LESIONES PERSONALES.

La conexión y la instalación de la unidad debe realizarla un técnico cualificado.

La instalación de esta unidad precisa de unos conocimientos y experiencia especiales. Para contar con las máximas garantías de seguridad, solicite a su distribuidor que realice la instalación. Panasonic no se responsabiliza de los problemas que puedan derivarse de la instalación de la unidad por su propia cuenta.

Siga las instrucciones para instalar y conectar el producto.

Si no se respetan las instrucciones para instalar y conectar correctamente el producto, pueden producirse incendios o accidentes.

Procure no dañar los cables de conexión.

Cuando realice la conexión, intente no dañar los cables. Procure que no queden atrapados en el chasis del vehículo, tornillos y partes móviles, como las guías de los asientos. No rasgue, tire, doble o tuerce los cables de conexión. No los haga pasar cerca de fuentes de calor ni coloque objetos pesados encima. Si los cables de conexión deben pasar por bordes metálicos afilados, proteja los cables cubriéndolos con cinta de vinilo o una protección similar.

Utilice las piezas y herramientas designadas para la instalación.

Para instalar el producto, utilice las piezas suministradas o designadas y las herramientas adecuadas. El uso de piezas que no sean las suministradas o designadas puede provocar daños internos en la unidad. Una instalación incorrecta puede tener como consecuencia accidentes, averías o incendios.

No instale el producto en lugares inestables o expuestos a vibraciones.

No realice la instalación en superficies inclinadas o muy angulosas. Si la instalación no es estable, la unidad podría desprenderse durante la conducción y provocar un accidente de tráfico o lesiones.

Para su seguridad, utilice guantes. Antes de la instalación, asegúrese de que las conexiones pertinentes se hayan completado.

Para evitar daños a la unidad, no conecte el conector de alimentación hasta que todas las conexiones se hayan completado.

Para evitar daños por sobrecalentamiento, nunca realice el montaje de la unidad en las siguientes ubicaciones:

- Cerca del puerto de calefacción.
- En lugares como el salpicadero o la bandeja posterior, donde esté expuesta a la luz directa del sol.

No realice el montaje de la unidad cerca de la puerta, puesto que podría quedar expuesta a la lluvia.

No perforo el depósito de combustible, los cables o cualquier otro componente, ya que existe el riesgo de que el montaje sea deficiente o que se produzcan lesiones personales.

Tenga en cuenta que si su vehículo está equipado con un ordenador o un sistema de navegación, la desconexión del cable de la batería puede borrar la memoria.

Coloque una protección de vinilo en los terminales de conexión que no utilice para evitar el contacto con las partes metálicas, etc.

Precaución

Respete las siguientes precauciones cuando instale las antenas de televisión.

- Instale la antena de televisión de manera que no sobresalga. Si la antena sobresale por la parte delantera o trasera del vehículo, podría entrar en contacto con los ojos o cabezas de los transeúntes y causar potencialmente un accidente o lesiones.
- Coloque la antena de televisión de modo que no impida la conducción ni la visibilidad. Si la antena se instala en una posición que afecta a la visibilidad delantera o trasera, podría interferir en la conducción y provocar un accidente.
- No desmonte o modifique la antena de televisión. Este tipo de modificaciones pueden generar humos o incendios.
- Fije firmemente la antena de televisión para que no se desprenda. Si los tornillos están flojos o la fijación en la base es débil, la antena podría desprenderse y ocasionar potencialmente daños a la carrocería del vehículo, accidentes o lesiones. Inspeccione la antena periódicamente.
- Asegúrese de instalar la antena de televisión en el interior de la luna trasera.
- Asegúrese de conectar el cable de alimentación de la antena del televisor a una fuente de alimentación ACC, CC de 12 V.
- Mantenga la antena lo más alejada posible del cable del altavoz trasero y del amplificador externo.
- Asegúrese de conectar la placa de conexión a tierra al cuerpo de la antena de televisión. De lo contrario, se producirá desensibilización.
- Evite que el reverso del cuerpo de la antena de televisión entre en contacto con la superficie adhesiva.
- No vuelva a adherir el reverso del cuerpo de la antena de televisión para evitar que la capacidad de adhesión quede debilitada.
- En la medida de lo posible, evite fijar la antena de televisión sobre los cables térmicos.

Precaución

Respete las siguientes precauciones cuando manipule las baterías del mando a distancia.

Uso correcto de las baterías

- Utilice únicamente la batería especificada (CR2025).
- Haga coincidir la polaridad de la batería con las marcas (+) y (-) del compartimiento de la batería.
- Las baterías agotadas deben sustituirse lo antes posible.
- Extraiga la batería cuando no tenga previsto usar el mando a distancia durante mucho tiempo.
- Aísle la batería (en una bolsa de plástico o cubriéndola con cinta de vinilo) antes de su eliminación o almacenamiento.
- No desmonte, recargue, caliente o cortocircuite la batería. No tire la batería a un fuego ni al agua.
- Respete las leyes de eliminación y reciclaje de baterías de su país.
- El uso indebido de la batería puede generar sobrecalentamiento, una explosión o combustión, que pueden tener como consecuencia lesiones o un incendio.

Si la batería tiene pérdidas de líquido.

- Limpie concienzudamente el líquido de batería del compartimiento de la batería e inserte una batería nueva.
- Si alguna parte de su cuerpo o indumentaria entra en contacto con el líquido de la batería, utilice agua abundante para lavarse.
- Si el líquido de la batería entra en contacto con los ojos, lávelos con abundante agua y acuda de urgencia al médico.

Información de seguridad (continuación)

Para instalar la unidad, respete las leyes y normativas vigentes en su región o país.

Lo siguiente se aplica solamente a los EE.UU.

Parte 15 de los Reglamentos FCC

Advertencia FCC:

Cualesquier cambios o modificaciones sin autorización a este equipo puede anular la autoridad del usuario para operar este dispositivo.

Conexión del cable de conexión del freno de estacionamiento



Este sistema está diseñado para que no sea posible ver la televisión ni películas durante la conducción.

- Estacione el vehículo en un lugar seguro y accione la palanca del freno de estacionamiento (freno de mano) antes de mirar el monitor.
- Si un monitor trasero (opción) se conecta a esta unidad, es posible ver la imagen del monitor trasero sin interrupciones aunque se haya accionado el freno de estacionamiento (freno de mano).

⚠ Advertencia

Al conectar dispositivos externos (opción), asegúrese de conectar el cable de conexión del freno de estacionamiento (freno de mano). (página 89)

Nota:

- Los mensajes en pantalla sólo se muestran en inglés.

Esta unidad no es compatible con las emisiones de televisión digital. (página 100)
Para obtener más información sobre las emisiones de televisión digital, consulte la información publicada por los gobiernos y cadenas de televisión de cada país.

Características

Panasonic le da la bienvenida a nuestra familia de propietarios de productos electrónicos en constante crecimiento. En Panasonic nos esforzamos para ofrecerle las ventajas de la ingeniería electrónica y mecánica de precisión, fabricada con componentes cuidadosamente seleccionados y montados por personas orgullosas de la reputación que su trabajo ha generado para nuestra compañía. Somos perfectamente conscientes de que este producto le proporcionará muchas horas de diversión y, cuando haya descubierto la calidad, el valor y la fiabilidad que transmite, estará si cabe más orgulloso de formar parte de nuestra familia.

Esta unidad no funciona por sí sola. Esta unidad está diseñada para que los usuarios puedan conectar al mismo tiempo uno o varios dispositivos de sistema a la unidad de audio/vídeo para automóvil de Panasonic.

Unidad principal (opción):
CQ-VD7003U, CQ-VD6503U, etc.

Puede combinarse con el módulo de expansión de Panasonic (CY-EM100U, opción) y otros dispositivos opcionales.

Sólo sistema de vídeo NTSC de recepción

Sistema de antena de televisión de diversidad de 4 canales

12 canales presintonizados en cada frecuencia

Los canales favoritos pueden grabarse una vez ajustado el canal presintonizado. También puede borrar los canales presintonizados cuando ya no los utilice.

Nota:

- La disponibilidad de los dispositivos opcionales puede variar en cada país o región. Para obtener más información, póngase en contacto con su distribuidor.

Contenido

English	2
Français	36
Español	70

Información de seguridad	70
Características	75

Preparativos	76
Componentes	77
Antena de televisión de diversidad... 78	
Ajuste de antena DIVER (diversidad)	

Sistema recomendado y funcionamiento	79
Nombre de controles y terminales...	82

Ajustes DIVER	83
Funcionamiento básico del televisor	84
Presintonización de canales	85

Instalación	86
Conexiones eléctricas	92

Solución de problemas	98
Sintonizador sólo para televisión analógica	100
Especificaciones	101

Ajustes

Antes de realizar los ajustes:

- 1 Instale y conecte la unidad principal, los dispositivos opcionales y esta unidad. (páginas 86–97)
- 2 Monte la antena de televisión. (páginas 90, 92)
- 3 Encienda la unidad.
- 4 Ajuste la antena DIVER (diversidad) en "ON".
- 5 Confirme la conexión eléctrica y la señal de vídeo de los dispositivos conectados.

Ajuste de antena DIVER (diversidad) (página 78)

Antena de televisión de diversidad:

De las dos antenas conectadas al sistema, se selecciona automáticamente la que ofrece una mejor recepción para la televisión. Ajuste DIVER (Diversity) en "ON" para reducir el ruido.

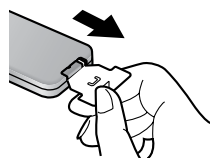
Confirme la selección "ON" para obtener una buena recepción.



Unidad de mando a distancia

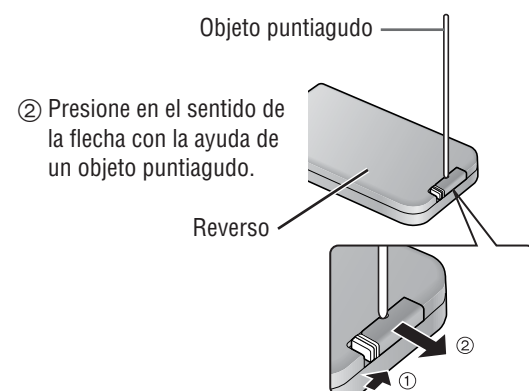
Preparativos antes del uso inicial

Retire lentamente el plástico aislante de la parte posterior del mando a distancia.

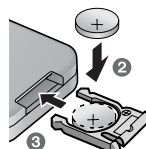


Sustitución de la batería

- 1 Coloque el mando a distancia sobre una superficie lisa y quite la tapa de la batería.
 - 1 Introdúzcala el pulgar en la muesca y, al mismo tiempo, empuje la tapa en la dirección de la flecha.



- 2 Coloque la batería en el compartimiento con el lado (+) hacia arriba.
- 3 Cierre el compartimiento.



Nota:

- Información sobre la batería:
 Tipo de batería: Batería de litio de Panasonic (CR2025) (incluida en el mando a distancia)
 Vida útil de la batería: aproximadamente 6 horas en condiciones de uso normales (a temperatura ambiente)

⚠ Advertencia

- Para evitar el riesgo de accidentes, mantenga la batería lejos del alcance de los niños. En caso de ingestión, acuda de urgencia al médico.

⚠ Precaución

- Las baterías antiguas deben eliminarse de inmediato.
- No desmonte, caliente o cortocircuite la batería. No tire la batería al fuego ni al agua.
- Respete las leyes locales al momento de eliminar las baterías.
- El uso indebido de la batería puede generar sobrecalentamiento, explosión o combustión, que pueden tener como consecuencia lesiones o un incendio.

Elemento	Ilustración	Cantidad
Sintonizador de TV		1
Antena de televisión (YEAA12692A (L)/YEAA12693A (R)) (Izq./Der.): desde el interior del vehículo.		1 conjunto
Unidad de mando a distancia (EUR7641040)		1
Batería de litio de la unidad del mando a distancia (incluida en el mando a distancia) <CR2025/1F>		1
Manual de Instrucciones (YFM284C547ZA)		1
Tarjeta de información del propietario		1
Hardware para la instalación (tornillos, cables, etc.) (página 87)		

Nota:

- El número en paréntesis debajo del nombre de los accesorios es el número de pieza utilizado para las tareas de mantenimiento y servicio técnico.
- Los accesorios y sus números de pieza están sujetos a cambios sin previo aviso debido a la introducción de mejoras.

Antena de televisión de diversidad

Antena de televisión de diversidad:

De las dos antenas conectadas al sistema, se selecciona automáticamente la que ofrece una mejor recepción para la televisión. Ajuste DIVER (Diversity) en "ON" para reducir el ruido.

Para utilizar la función de diversidad de forma efectiva:

- 1 Conecte las dos antenas de televisión suministradas.
- 2 Ajuste DIVER (Diversity) en "ON".

Nota:

- Si sólo una antena está conectada, la función de diversidad no tiene efecto.

Para utilizar las dos antenas de televisión suministradas

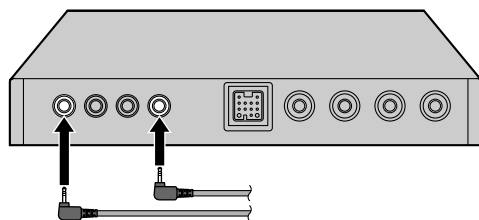
- 1 Enchufe los cuatro terminales de las dos antenas en el sintonizador. Combine los terminales de televisión del sintonizador y los terminales de antena siguiendo las indicaciones de la página 92.
- 2 Asegúrese de que DIVER (Diversidad) esté ajustado en "ON".

Para usar las dos antenas opcionales

Es necesario preparar dos antenas.

- 1 Enchufe los cuatro terminales de las dos antenas en el sintonizador. Combine los terminales de televisión del sintonizador y los terminales de antena siguiendo las indicaciones de la página 92.

Cómo conectar la antena si sólo existe un terminal para antena.



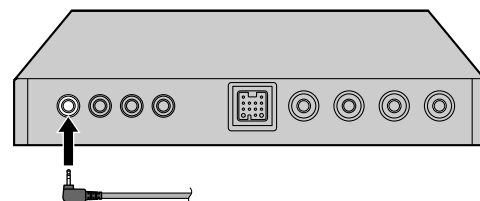
- 2 Asegúrese de que DIVER (Diversidad) esté ajustado en "ON".

Nota:

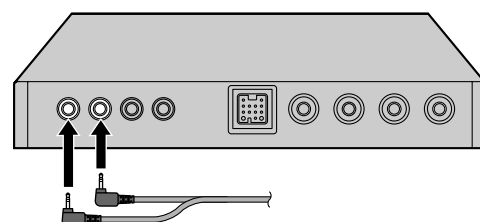
Si únicamente existe la posibilidad de usar una antena de televisión opcional, la función de diversidad no tiene efecto.

1. La forma de conectar la antena varía en función del número de terminales de antena.

Cómo conectar la antena si sólo existe un terminal para antena.



Cómo conectar la antena si existen dos terminales.



2. Asegúrese de que DIVER (Diversidad) esté ajustado en "OFF".

Ajuste de antena DIVER (diversidad)

Confirme la selección "ON" para obtener una buena recepción.

Valor predeterminado: ON

Ajuste: ON/OFF

- 1 Pulse [PWR] (Alimentación).
- 2 Pulse [MENU].



- 3 Pulse [←] o [→] para seleccionar "ON" u "OFF".
- 4 Pulse [ENT] (ENTER) o [MENU] para realizar los ajustes y volver a la pantalla anterior.

Sistema recomendado y funcionamiento

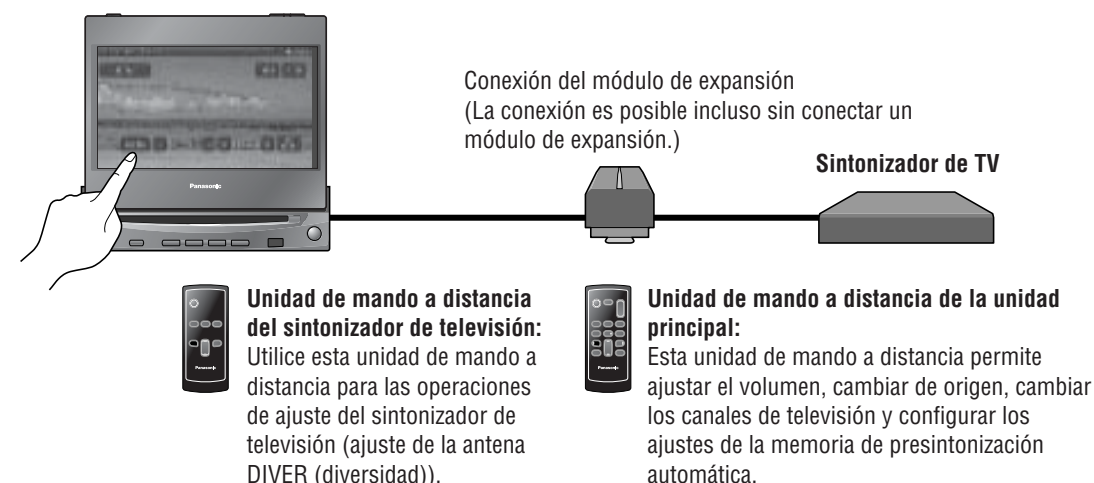
Recomendamos utilizar este sintonizador de televisión con la unidad principal Panasonic descrita a continuación.

Para obtener más detalles sobre las operaciones de la unidad principal y el mando a distancia de la unidad principal, consulte las instrucciones de funcionamiento de la unidad principal.

Unidad principal con panel táctil (CQ-VD7003U, CQ-VD6503U), módulo de expansión (CY-EM100U) y sintonizador de televisión

Para usar el sintonizador de televisión, utilice el panel táctil de la unidad.

Para obtener más información sobre el funcionamiento del panel táctil y el mando a distancia, consulte el capítulo sobre el funcionamiento del televisor en las instrucciones de funcionamiento de la unidad principal.



Para realizar una configuración de conexión que no sea alguna de las recomendadas más arriba, consulte las siguientes páginas.

- Unidad principal (CQ-VD7001U): Página 96
- Monitor posterior (CY-VHD9401U): Página 97

Las unidades de mando a distancia suministradas con la unidad principal y el monitor posterior no se pueden utilizar para el funcionamiento del sintonizador de televisión. (Salvo para ajustar el volumen, cambiar de origen, etc.)

Combinación de este sintonizador de televisión con la unidad principal no Panasonic (sistema de audio del automóvil con unidad de monitor/vídeo):

Este sintonizador de televisión no se podrá utilizar con una unidad de mando a distancia ni con el mando a distancia de la unidad principal no Panasonic.

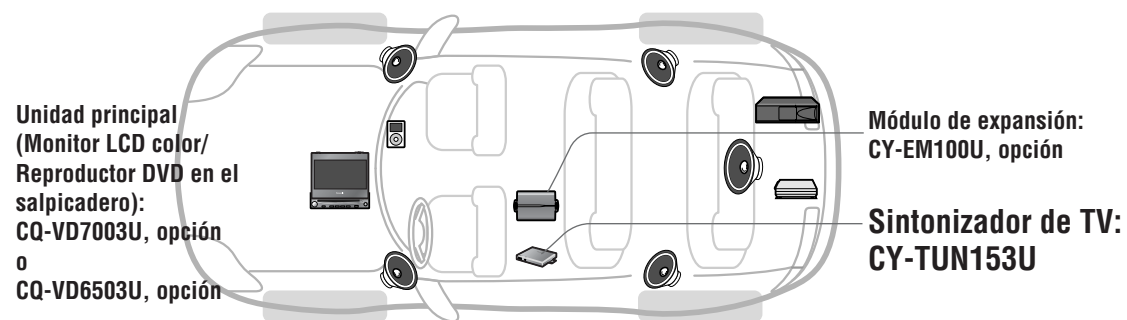
Sistema recomendado y funcionamiento (continuación)

Esta unidad no funciona por sí sola.

Esta unidad está diseñada para que los usuarios puedan conectar al mismo tiempo uno o varios dispositivos de sistema a la unidad de audio/vídeo para automóvil de Panasonic. Para obtener más detalles, consulte las instrucciones de funcionamiento de los dispositivos conectados.

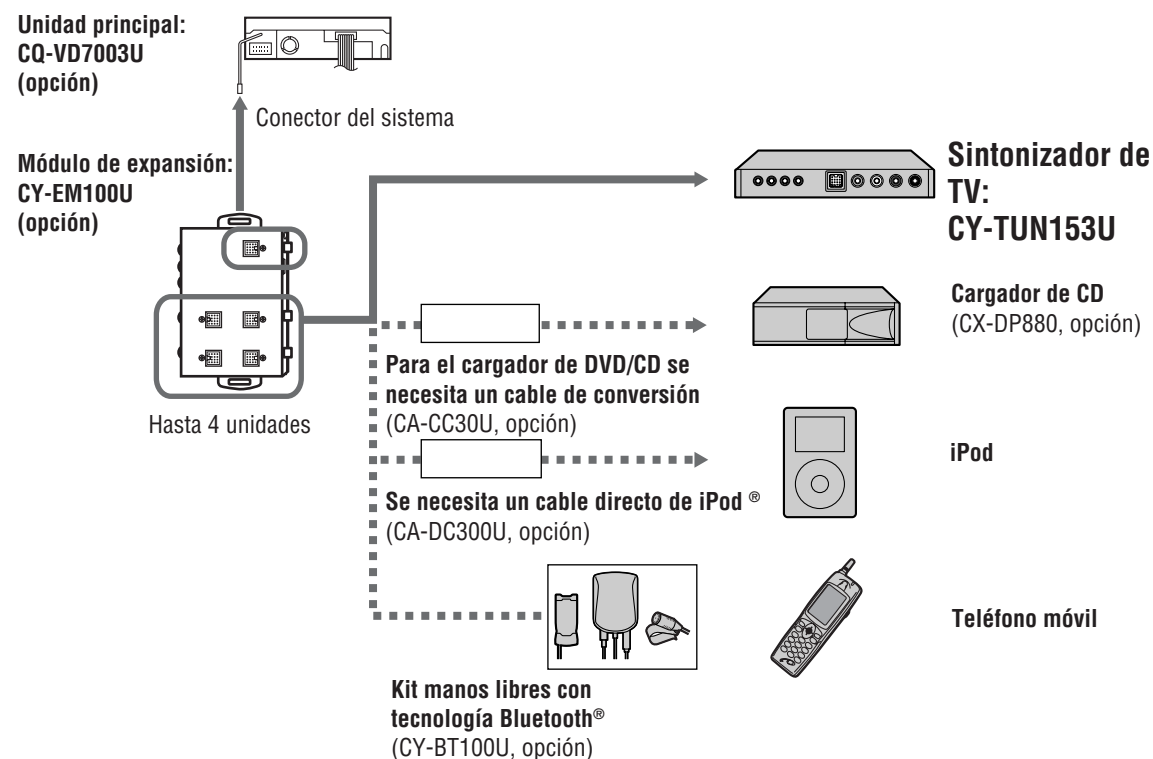
Ejemplo de conexión del sistema

Unidad principal con panel táctil (CQ-VD7003U, CQ-VD6503U), módulo de expansión (CY-EM100U) y sintonizador de televisión

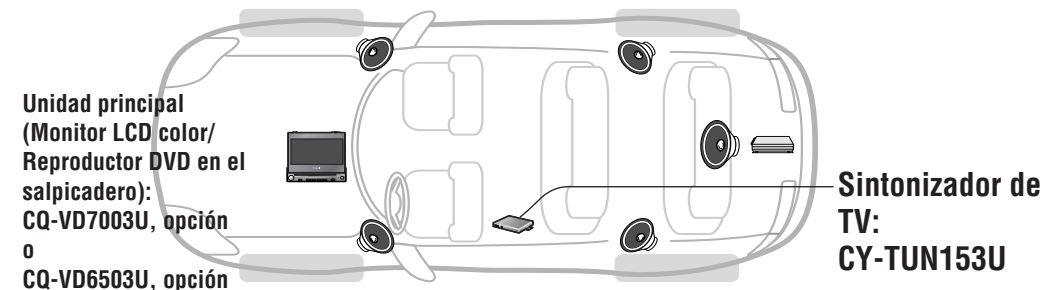


Nota:

- Conecte esta unidad al módulo de expansión (CY-EM100U, opción) mediante el cable de conexión de la unidad principal/módulo de expansión y el cable RCA (vídeo) (suministrado). (página 93)



Unidad principal con panel táctil (CQ-VD7003U, CQ-VD6503U) y sintonizador de televisión



Nota:

- Conecte esta unidad a la unidad principal (CQ-VD7003U, CQ-VD6503U, opción) mediante el cable de conexión de la unidad principal/módulo de expansión y el cable RCA (vídeo) (suministrado). (páginas 94, 95)

Bluetooth®

La marca y logotipo Bluetooth son propiedad de Bluetooth SIG, Inc y el uso de dicha marca por parte de Matsushita Electric Industrial Co.,Ltd. se realiza bajo licencia. Otras marcas registradas y nombres de marca son propiedad de sus respectivos propietarios.

iPod®

iPod es una marca registrada de Apple Computer, Inc., registrada en los EE.UU. y en otros países.

Nombre de controles y terminales

Unidad del sintonizador de televisión

TV ANT IN

Terminal para la conexión de las antenas de televisión (suministrado)

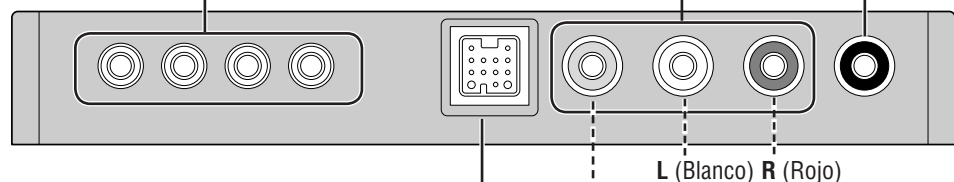
TV OUT

Terminal para la conexión de un monitor trasero (CY-VHD9401U, etc., opción).

REMOTE IN (Negro)

Terminal para la conexión del terminal de salida del mando a distancia de la unidad principal.

13



TO HEAD UNIT/EXPANSION MODULE (Conector del sistema)

Terminal para la conexión de una unidad principal (CQ-VD7003U, CQ-VD6503U, opción)/módulo de expansión (CY-EM100U, opción).

VIDEO (Amarillo)

Conecte el cable RCA al terminal de entrada de vídeo cuando conecte el cable de conexión de la unidad principal/módulo de expansión a la unidad principal.



POWER SUPPLY

Terminal para la conexión del conector de alimentación

Unidad de mando a distancia

Nota:

- Apunte el emisor del mando a distancia hacia la unidad principal o el monitor.

[PWR] (Alimentación)

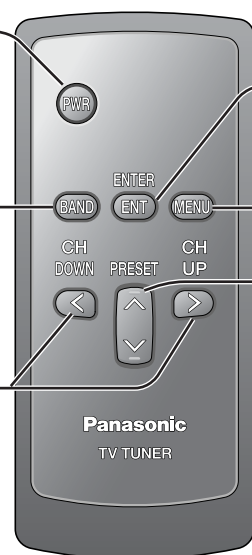
- Enciende o apaga la unidad. (página 84)

[BAND]

- Selecciona la frecuencia de televisión. (página 84)
- Busca los canales y los memoriza automáticamente. (página 85)

[<] (CH DOWN) [>] (CH UP)

- Selecciona una operación o una opción. (página 83)
- Selecciona o busca el canal. (página 84)



[ENT] (ENTER)

- Determina una operación u opción. (página 83)
- Muestra la pantalla de canales de televisión. (página 84)

[MENU]

- Muestra la pantalla de menú. (página 83)

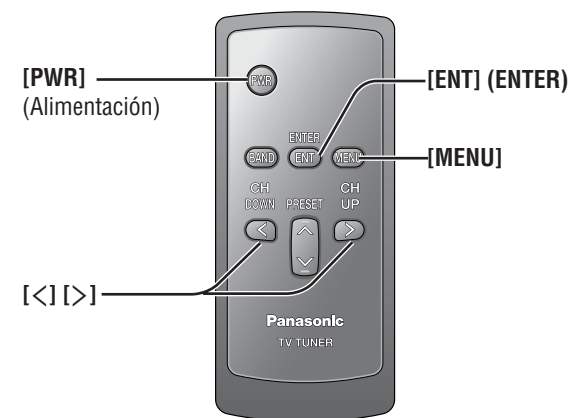
[^] [v] (PRESET)

- Selecciona el canal presintonizado. (página 85)
- Establece el modo de grabación/eliminación de canal presintonizado. (página 85)

Ajustes DIVER

Consulte la página 78 para obtener información sobre el ajuste DIVER (Diversidad) Antenna.

Lea la descripción de esta página según proceda.



Ajuste de antena DIVER (diversidad)

Antena de televisión de diversidad:

De las dos antenas conectadas al sistema, se selecciona automáticamente la que ofrece una mejor recepción para la televisión. Ajuste DIVER (Diversity) en "ON" para reducir el ruido.

Confirme la selección "ON" para obtener una buena recepción.

Valor predeterminado: ON

Ajuste: ON/OFF

1 Pulse [PWR] (Alimentación).

2 Pulse [MENU].



3 Pulse [<] o [>] para seleccionar "ON" u "OFF".

4 Pulse [ENT] (ENTER) o [MENU] para realizar los ajustes y volver a la pantalla anterior.

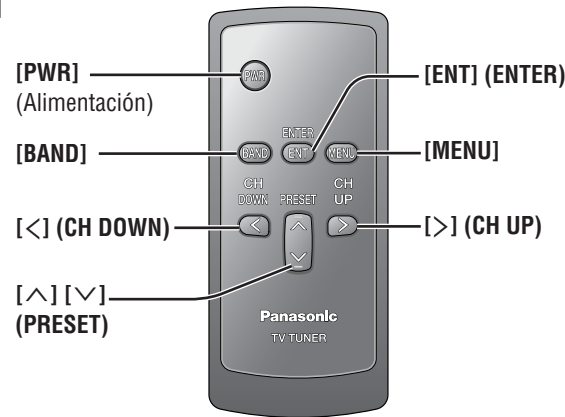
Nota:

- Los mensajes en pantalla sólo se muestran en inglés.

14

Funcionamiento básico del televisor

Consulte los manuales de instrucciones CQ-VD7003U y CQ-VD6503U para obtener información sobre el funcionamiento del televisor con el panel táctil y el mando a distancia CQ-VD7003U y CQ-VD6503U.



Alimentación

Gire la llave del contacto del vehículo a la posición ACC u ON.

ON: Pulse [PWR] (Alimentación).

OFF: Pulse [PWR] (Alimentación) otra vez.

Nota:

- Cuando cambie el origen a sintonizador de televisión en la unidad principal (CQ-VD7003U, CQ-VD6503U, opción), la alimentación se enciende automáticamente.

Selección de frecuencia

Pulse [BAND].

TV1 ↔ TV2

Nota:

- TV2 permite almacenar más canales presintonizados en la memoria.

Selección de canales

Pulse [<] (CH DOWN) o [>] (CH UP).

[>] (CH UP): Número de canal superior

[<] (CH DOWN): Número de canal inferior

Mantenga pulsado [<] (CH DOWN) o [>] (CH UP) más de medio segundo. La búsqueda empezará.

Pantalla de canales de televisión

Pulse [ENT] (ENTER).

Pulse [ENT] (ENTER) de nuevo para apagar la pantalla.

Ejemplo: Cuando el canal presintonizado no está ajustado.



Nota:

- Los mensajes en pantalla sólo se muestran en inglés.
- El fondo de la pantalla cambia a azul cuando la unidad no consigue obtener una buena recepción en el televisor.

Presintonización de canales

⚠ Advertencia

- Para su seguridad, nunca intente presintonizar los canales mientras está conduciendo.

- Pueden almacenarse hasta 12 canales en cada una de las selecciones de frecuencia TV1 y TV2.
- TV2 permite almacenar más canales presintonizados en la memoria. Los canales que no se han podido almacenar en memoria en la frecuencia TV1 pueden almacenarse en la frecuencia TV2.
- Si TV1 es suficiente para almacenar todos los canales que desea, se recomienda utilizar sólo esa frecuencia.

Nota:

- Después de estos procedimientos, los nuevos canales sobrescribirán las emisoras guardadas.

Memorización automática de canales presintonizados

Con esta operación, los canales con buenas condiciones de recepción se pueden almacenar automáticamente en la memoria de presintonización.

- 1 Pulse [BAND] para seleccionar la frecuencia de televisión.
- 2 Mantenga pulsado [BAND] durante más de 2 segundos.

En cada frecuencia se presintonizarán los 12 canales cuya señal sea la más fuerte. (Se muestran en orden, empezando por el número de canal más bajo.)

Selección de los canales presintonizados

- 1 Pulse [BAND] para seleccionar la frecuencia de televisión.
- 2 Pulse [^] o [v] (PRESET).



Número de canal presintonizado seleccionado

Grabación de canales presintonizados (PRESET WRITE)

Los canales favoritos pueden grabarse una vez ajustado el canal presintonizado.

Ejemplo:

El canal 25 se graba en la lista de canales presintonizados TV1.

- 1 Mantenga pulsado [^] (PRESET) durante más de 2 segundos. Aparece la pantalla de modo de grabación de canal presintonizado.
- 2 Pulse [<] (CH DOWN) o [>] (CH UP) para seleccionar el canal que desee grabar.



Canal de televisión que desea grabar

- 3 Pulse [ENT] (ENTER) o [BAND] para realizar el ajuste.
- 4 Pulse [MENU] para salir del modo de grabación de canales presintonizados.

Eliminación de canales presintonizados (PRESET DELETE)

También puede borrar los canales presintonizados cuando ya no los utilice.

Ejemplo:

El canal 30 se elimina en la lista de canales presintonizados TV1.

- 1 Mantenga pulsado [v] (PRESET) durante más de 2 segundos. Aparece la pantalla de modo de eliminación de canales presintonizados y se recibe el canal presintonizado 1.
- 2 Pulse [^] o [v] (PRESET) para seleccionar el canal presintonizado que desee eliminar.



Canal presintonizado que desea eliminar

- 3 Pulse [ENT] (ENTER) o [BAND] para realizar el ajuste.
- 4 Pulse [MENU] para salir del modo de eliminación de canales presintonizados.

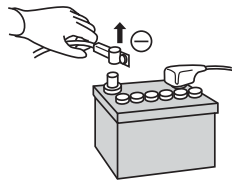
Preparativos

⚠ Precaución

- Para instalar la unidad, respete las leyes y normativas vigentes en su región o país.
- Para evitar lesiones, recomendamos el uso de guantes para realizar la instalación.

17

- Desconecte el cable del terminal negativo (-) de la batería (consulte la siguiente precaución).



⚠ Precaución

- Si el vehículo está equipado con un sistema de airbags o un sistema antirrobo, deberá seguir unos procedimientos concretos de conexión y desconexión de la batería para instalar este producto.
- Antes de intentar la instalación de este componente electrónico, póngase en contacto con el concesionario o fabricante de su vehículo para determinar el procedimiento necesario y seguir sus instrucciones detalladas.
- **EL INCUMPLIMIENTO DE ESTE PROCEDIMIENTO PUEDE TENER COMO RESULTADO LA ACTIVACIÓN ACCIDENTAL DE LOS AIRBAGS O DEL SISTEMA ANTIRROBO, CON LOS CONSIGUIENTES DAÑOS AL VEHÍCULOS Y LESIONES PERSONALES.**

Precauciones sobre la instalación

La instalación de la unidad debe realizarla un instalador profesional.

En caso de tener dificultades, póngase en contacto con el centro de asistencia técnica Panasonic autorizado más cercano.

- 1 Este sistema sólo se debe utilizar con un sistema de batería CC de 12 V (automóvil) con conexión a tierra negativa.
- 2 Siga detenidamente las conexiones eléctricas (página 92). El incumplimiento de dichas instrucciones de conexión puede ocasionar daños a la unidad.
- 3 Conecte el cable de alimentación después de haber realizado el resto de las conexiones.
- 4 Asegúrese de conectar el cable de la batería (amarillo) al terminal positivo (+) del terminal de la batería o de la caja de fusibles (BAT).
- 5 Aísle todos los cables expuestos para evitar cortocircuitos.
- 6 Después de instalar la unidad, fije todos los cables sueltos.
- 7 Lea detenidamente el manual de instrucciones del equipamiento correspondiente antes de conectarlo a esta unidad.

Hardware para la instalación (para la instalación)

Núm.	Elemento	Ilustración	Cantidad
①	Tornillo de rosca (φ5×16 mm) (XTT5+16AFZ)		4
②	Cinta de velcro (YFX994C135ZA)		2

③	Abrazadera de antena		4
④	Abrazadera del cable (para la antena)		4

(YEP9FZ3041)

Hardware para la instalación (para la conexión de cables)

Núm.	Elemento	Ilustración	Cantidad
⑤	Conector de alimentación (YEAJ012884)		1
⑥	Cable de conexión de unidad principal/módulo de expansión (3 m) (YEAJ071812) (para el módulo de expansión)		1
⑦	Cable RCA (3 m) (YEAJ071819) (para el conector de vídeo)		1
⑧	Cable RCA (3 m) (YEAJ071820) (para el conector de audio)		1
⑨	Cable RCA (3 m) (YEAJ071821) (para el conector del mando a distancia)		1
⑩	Conector de pinza (YEAT034C012)		1

Nota:

- El número en paréntesis debajo del nombre de los accesorios es el número de pieza utilizado para las tareas de mantenimiento y servicio técnico.
- Los accesorios y sus números de pieza están sujetos a cambios sin previo aviso debido a la introducción de mejoras.
- Utilice únicamente los tornillos suministrados para la instalación. Si pierde alguno de los tornillos, vuelva a pedir el mismo tipo de tornillo.

18

Montaje de la unidad del sintonizador

⚠ Precaución

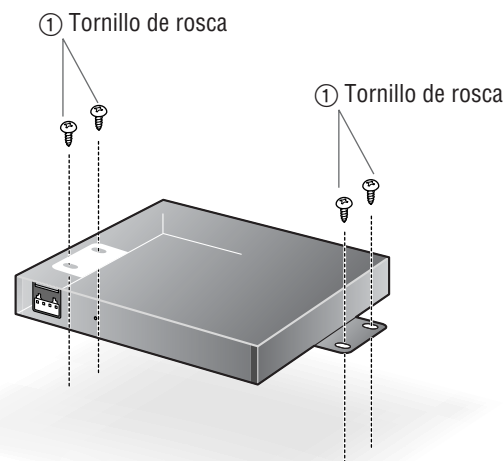
- Para evitar daños por sobrecalentamiento, nunca realice el montaje de la unidad en las siguientes ubicaciones:
 - Cerca del puerto de calefacción.
 - En lugares como el salpicadero o la bandeja posterior, donde esté expuesta a la luz directa del sol.
- No realice el montaje de la unidad cerca de la puerta, puesto que podría quedar expuesta a la lluvia.
- No perfora el depósito de combustible, los cables o cualquier otro componente, ya que existe el riesgo de que el montaje sea deficiente o que se produzcan lesiones personales.

Para el montaje en una superficie inclinada, la sujeción mediante la cinta de Velcro no será suficientemente segura, por lo que se recomienda utilizar una fijación con tornillo.

Nota:

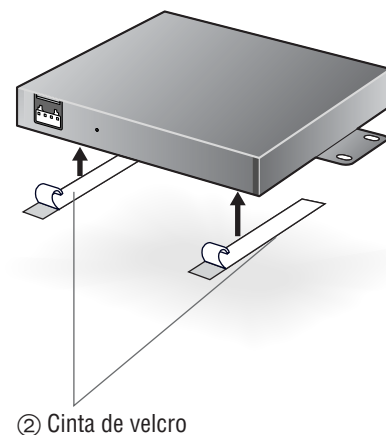
- Aplique un producto anticorrosivo a los orificios y tornillos de rosca.
- Mantenga una distancia de seguridad entre la unidad y otro equipamiento electrónico.

Instalación de la unidad mediante el tornillo de rosca ①. (Recomendado)



Realización del montaje de la unidad en la alfombra del piso mediante cinta de velcro ②.

Pegue el lado adhesivo de la cinta de velcro ② a la unidad y, a continuación, monte la unidad en la alfombra.



Nota:

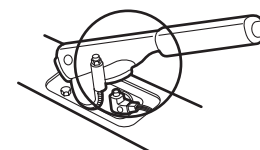
- Puede que algunos materiales de alfombras no sean aptos para este tipo de montaje. En tal caso, póngase en contacto con el centro de asistencia técnica Panasonic más próximo para realizar la instalación.

Conexión del cable de conexión del freno de estacionamiento (freno de mano)

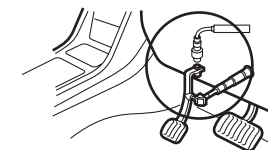
⚠ Precaución

- Para su seguridad, solicite a un instalador profesional que lleve a cabo esta instalación.

Freno de mano



Freno de pie

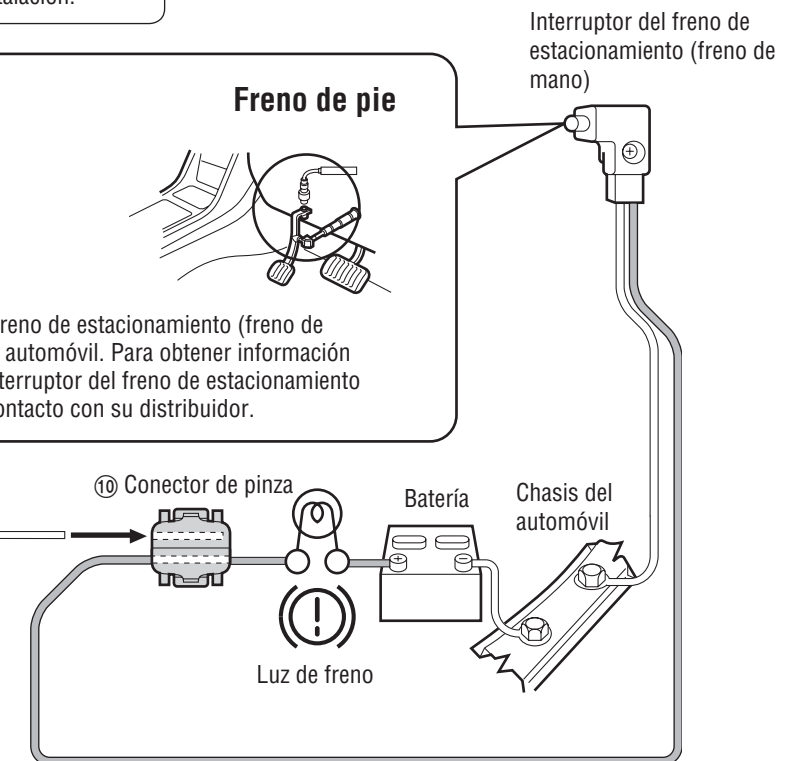


La posición del interruptor del freno de estacionamiento (freno de mano) varía en cada modelo de automóvil. Para obtener información sobre la ubicación exacta del interruptor del freno de estacionamiento (freno de mano), póngase en contacto con su distribuidor.

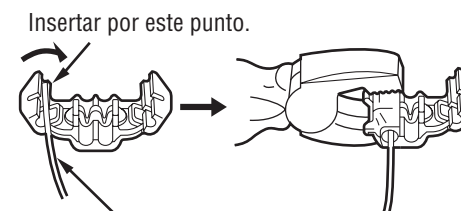
Cable de conexión del freno de estacionamiento (freno de mano)

(Verde vivo)

Cuando se acciona la palanca del freno de estacionamiento (freno de mano), la unidad queda conectada a tierra a través del chasis.

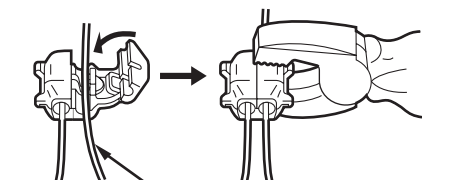


- 1 Instale un conector de pinza ⑩ en un extremo del cable de conexión del freno de estacionamiento (freno de mano).



Cable de conexión del freno de estacionamiento (freno de mano) (Verde vivo)

- 2 El conector de pinza ⑩ se conecta al cable lateral de alimentación de la palanca del freno de estacionamiento (freno de mano).



Cable lateral de alimentación

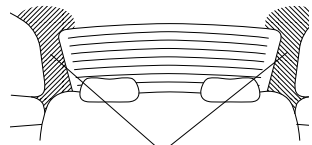
Montaje de la antena de televisión

⚠ Precaución

- Asegúrese de instalar la antena de televisión en el interior de la luna trasera.
- Asegúrese de conectar el cable de alimentación de la antena del televisor a una fuente de alimentación ACC, CC de 12 V.
- Mantenga la antena lo más alejada posible del cable del altavoz trasero y del amplificador externo.

Preparativos:

Retire la tapicería de ambos lados de la luna trasera para realizar una conexión a tierra.

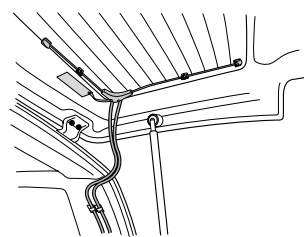


Retire la tapicería.

Para mejorar la fijación, tenga en cuenta lo siguiente.

- Limpie la superficie interior de la luna trasera con un paño humedecido y suave a lo largo de la extensión del cable térmico. Procure no dejar marcas de gotas en el cristal.
- Cuando la temperatura exterior es inferior a 20 °C (68 °F), encienda el desempañador de la luna trasera o la calefacción del automóvil durante unos cinco minutos para calentar la superficie de la luna trasera.

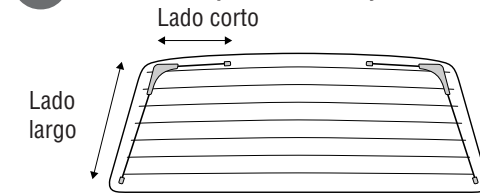
Para los vehículos de tipo portón trasero:



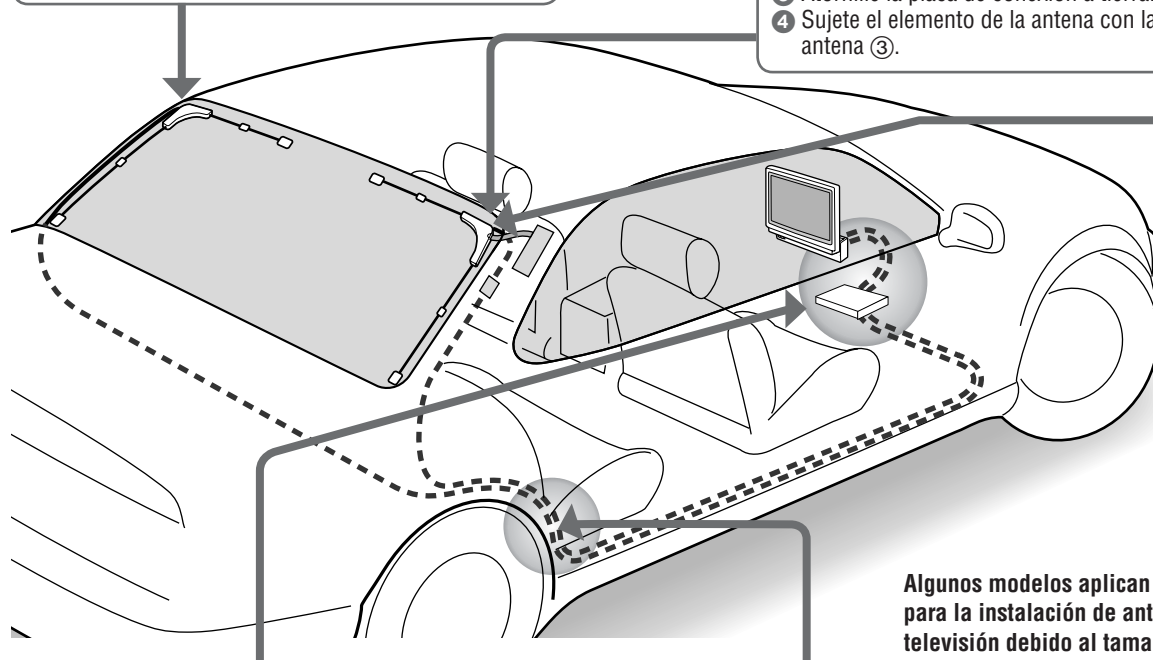
Fije la placa de conexión a tierra y sujete la antena con la abrazadera de la antena ③ para que la antena no quede atrapada en el portón trasero.

Ajuste la longitud del cable para que no interfiera con el movimiento del portón trasero y fije el cable con la pinza para cable ④.

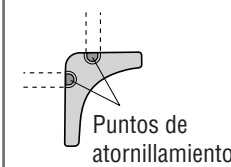
1 Extienda la antena acodada. Confirme las posiciones de fijación.



Una vez confirmada la posición de la antena, fije la antena temporalmente con cinta adhesiva.



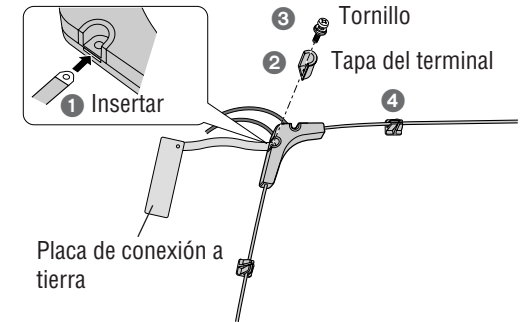
2 Inserte la placa de conexión a tierra en el cuerpo de la antena y sujete el elemento de la antena con la abrazadera de la antena ③.



Seleccione un punto de atornillamiento adecuado para la placa de conexión a tierra a fin de fijarla a una parte metálica. A continuación, extraiga el tornillo y la tapa del terminal.

Siga los pasos siguientes para instalar la placa de conexión a tierra.

- 1 Inserte la placa de conexión a tierra en el cuerpo de la antena.
- 2 Sujete la placa de conexión a tierra con la tapa del terminal.
- 3 Atornille la placa de conexión a tierra.
- 4 Sujete el elemento de la antena con la abrazadera de la antena ③.



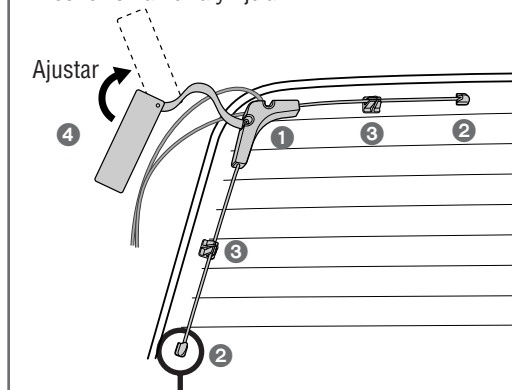
⚠ Precaución

- Asegúrese de conectar la placa de conexión a tierra. De lo contrario, se producirá desensibilización.

3 Quite el precinto de la parte posterior del cuerpo de la antena y péguelo. A continuación, fije la placa de conexión a tierra a una parte metálica.

Siga los pasos siguientes para fijar la antena con firmeza.

- 1 Fije el cuerpo de la antena.
- 2 Extienda el elemento de antena y fíjelo.
- 3 Coloque la abrazadera de antena ③ en el centro del elemento de antena.
- 4 Ajuste el ángulo y la posición de la placa de conexión a tierra y fíjela.



En algunos modelos no es posible extender el elemento largo.

Curvas no forzadas

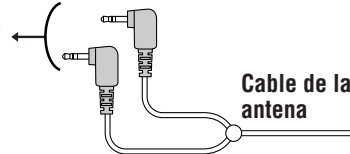
Sin pliegues

⚠ Precaución

- Evite cualquier contacto con la superficie adhesiva.
- No vuelva a adherir para evitar que la capacidad de adhesión quede debilitada.
- En la medida de lo posible, evite la fijación sobre los cables térmicos.

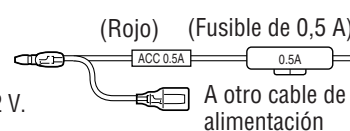
5 Identificación del cable de la antena (para cada antena)

Al conector de la antena de televisor en la unidad.

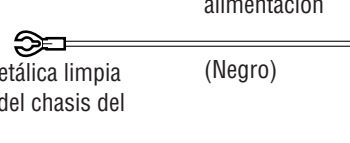


Cable de la antena

Cable de alimentación
A alimentación ACC, CC de +12 V.

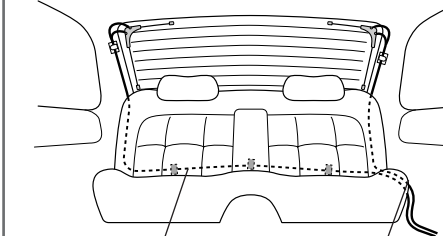


Conductor a tierra
A una parte metálica limpia y descubierta del chasis del automóvil.



4 Recorrido de los cables

Sujete el cable con una pinza para cables ④.



Haga pasar el cable por detrás del asiento trasero y fíjelo con cinta adhesiva.

Haga pasar el cable por el interior de la tapicería y debajo de la alfombra.

Algunos modelos aplican restricciones para la instalación de antenas de televisión debido al tamaño de la luna trasera o a la apertura/cierre del portón. Póngase en contacto con su distribuidor.

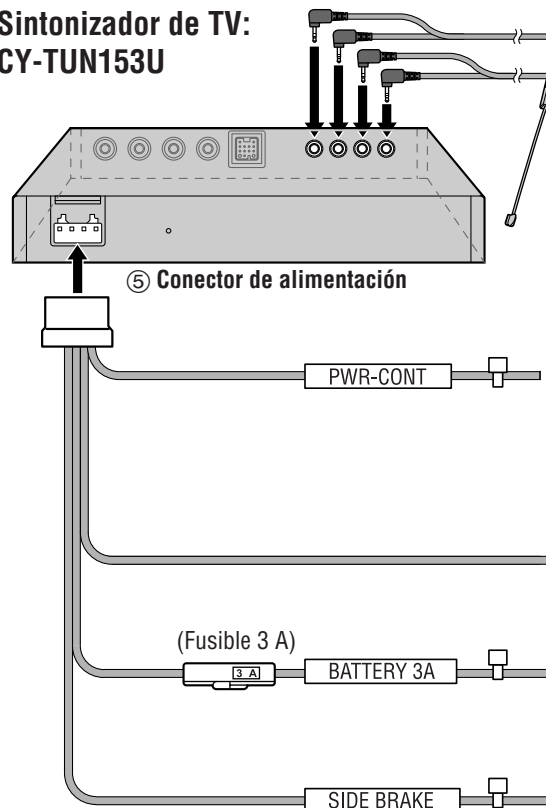
Conexiones eléctricas

Diagrama de conexiones

⚠ Precaución

- Esta unidad está diseñada por el uso en vehículos equipados con un sistema de batería de conexión a tierra negativa de 12 V.
- Para evitar daños a la unidad, asegúrese de seguir el diagrama de conexiones.
- No inserte el conector de alimentación en la unidad hasta que se hayan completado todas las conexiones.
- Asegúrese de aislar los cables expuestos para evitar cortocircuitos con el chasis del vehículo. Ate todos los cables e impida que los terminales de los cables entren en contacto con partes metálicas.
- Tenga en cuenta que si su vehículo está equipado con un ordenador o un sistema de navegación, la desconexión del cable de la batería puede borrar la memoria.
- Haga pasar los cables evitando los lugares donde la temperatura puede ser excesivamente elevada.
- Coloque una protección de vinilo en los terminales de conexión que no utilice para evitar el contacto con las partes metálicas, etc.

Sintonizador de TV: CY-TUN153U



Antena de televisión

Consulte la página 90 para ver cómo se debe realizar la conexión de la antena de televisión.

Cable de control de alimentación

(Azul/Blanco entrecruzado)
Al cable de alimentación de control del amplificador externo de la unidad principal.
A la alimentación ACC, CC de +12 V, si la unidad principal no tiene un cable de alimentación de control del amplificador externo.

Conductor a tierra

(Negro)
A una parte metálica limpia y descubierta del chasis del automóvil.

Cable de la batería

(Amarillo)
A la batería del vehículo, CC de +12 V continua.

Cable de conexión del freno de estacionamiento (freno de mano)

(Verde vivo)
Para su seguridad y evitar accidentes, no olvide realizar la conexión al freno de estacionamiento (freno de mano).

Si el módulo de expansión (CY-EM100U, opción) no está conectado y ACC no está montado en el vehículo:

- Conecte el cable de control de alimentación de esta unidad al cable de alimentación de control del amplificador externo de la unidad principal. Si no se realiza esta conexión, la batería se agotará.

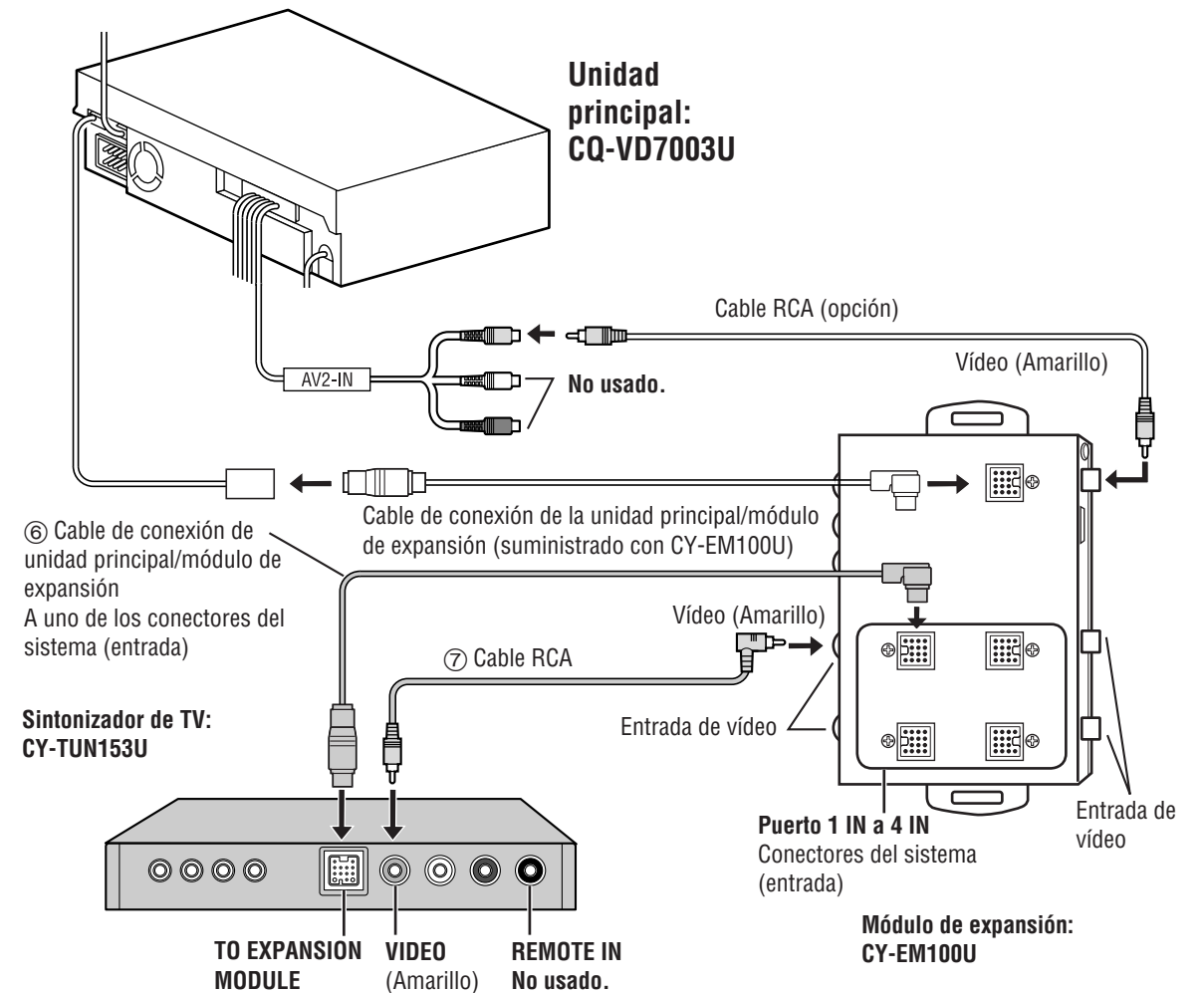
Nota:

- Para la conexión, pele unos 5 mm de los extremos de los cables.
- Asegúrese de enchufar correctamente los conectores. Fíjelos mediante abrazaderas y cinta adhesiva.
- El resto de los métodos de instalación requieren el uso de accesorios metálicos dedicados. Si es preciso realizar otros métodos, póngase en contacto con un ingeniero cualificado del servicio técnico o con su distribuidor.

Esta unidad no funciona por sí sola.

Esta unidad está diseñada para que los usuarios puedan conectar al mismo tiempo uno o varios dispositivos de sistema a la unidad de audio/vídeo para automóvil de Panasonic.

Conexión de la unidad principal (CQ-VD7003U) y el módulo de expansión (CY-EM100U)



⑥ Cable de conexión de unidad principal/módulo de expansión
A uno de los conectores del sistema (entrada)

Sintonizador de TV: CY-TUN153U

Nota:

- Para obtener información detallada sobre la instalación y las conexiones, consulte los manuales de funcionamiento e instalación de cada dispositivo.
- Conecte esta unidad al módulo de expansión (CY-EM100U, opción) mediante el cable de conexión de la unidad principal/módulo de expansión y el cable RCA (vídeo) (suministrado).
- Cuando el dispositivo que proporciona la salida de vídeo se conecta al conector del sistema, conecte el cable de vídeo al conector de entrada situado debajo del puerto al que se conecta el conector del sistema.

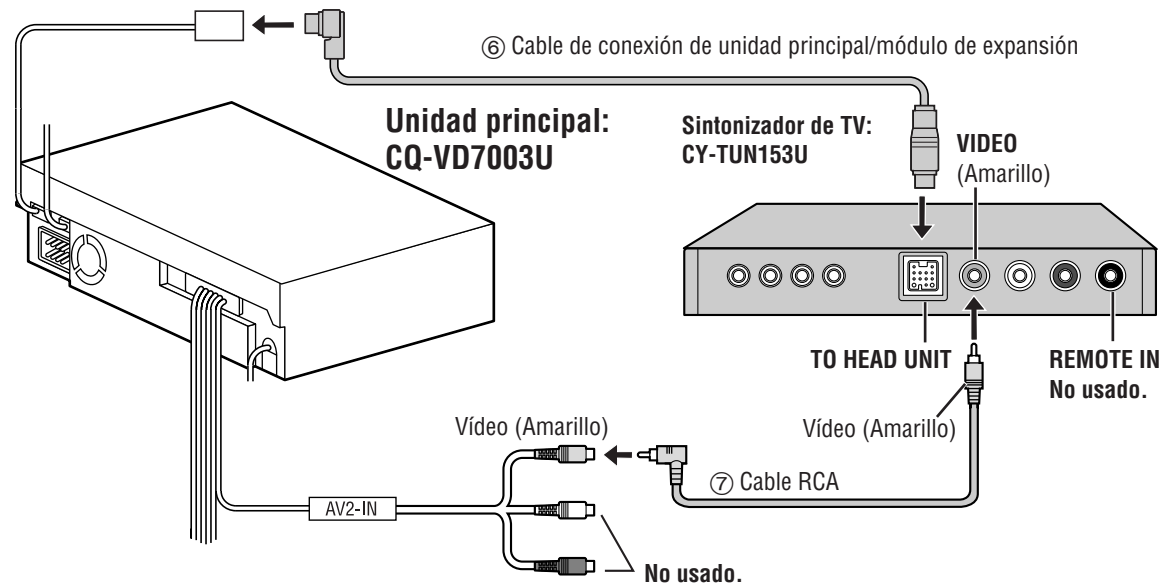
Nota sobre la unidad de mando a distancia de la unidad principal (página 79):

- El mando a distancia de algunas unidades principales no dispone de botones específicamente diseñados para el funcionamiento de la televisión, por lo que algunas operaciones no se pueden utilizar para el uso de la televisión. Sin embargo, esto no significa que el sintonizador o la unidad principal estén averiados.

Unidad principal con conector del sistema

Conexión a la unidad principal (CQ-VD7003U)

25



Nota:

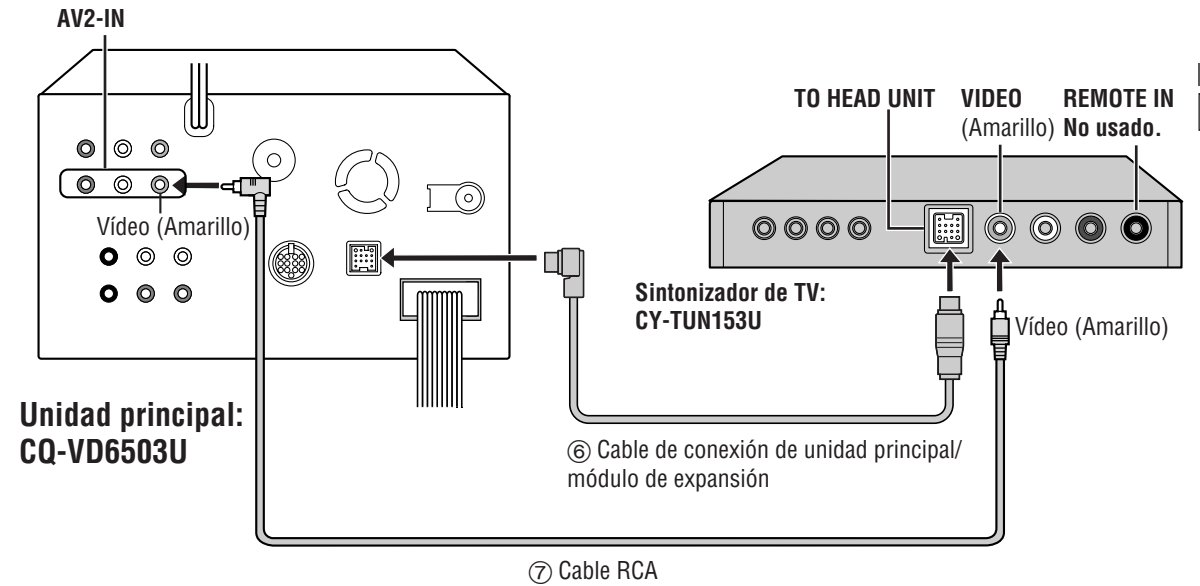
- Para obtener información detallada sobre la instalación y las conexiones, consulte los manuales de funcionamiento e instalación de cada dispositivo.
- Conecte esta unidad a la unidad principal (CQ-VD7003U, opción) mediante el cable de conexión de la unidad principal/módulo de expansión y el cable RCA (vídeo) (suministrado).

Nota sobre la unidad de mando a distancia de la unidad principal (página 79):

- El mando a distancia de algunas unidades principales no dispone de botones específicamente diseñados para el funcionamiento de la televisión, por lo que algunas operaciones no se pueden utilizar para el uso de la televisión. Sin embargo, esto no significa que el sintonizador o la unidad principal estén averiados.

Conexión a la unidad principal (CQ-VD6503U)

26



Nota:

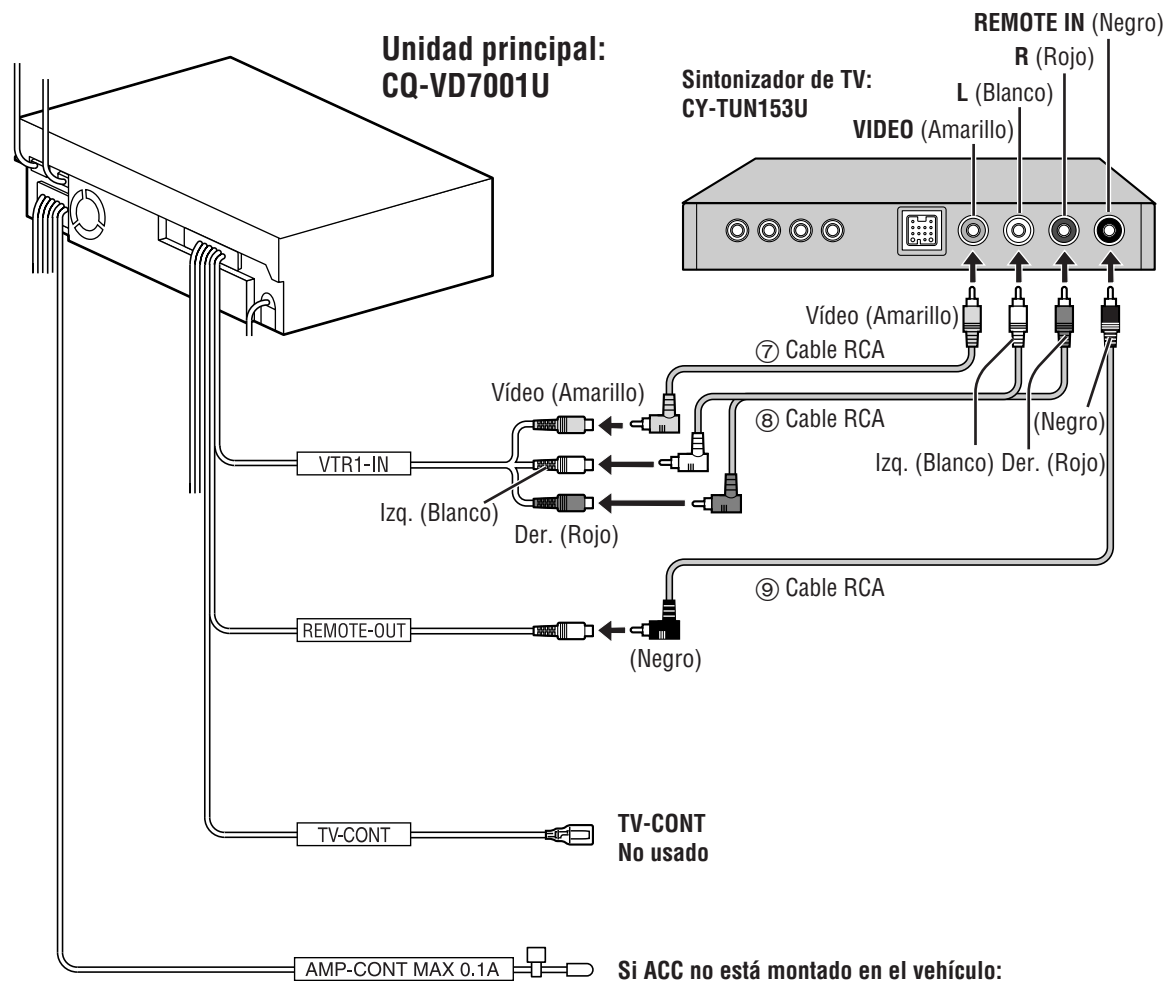
- Para obtener información detallada sobre la instalación y las conexiones, consulte los manuales de funcionamiento e instalación de cada dispositivo.
- Conecte esta unidad a la unidad principal (CQ-VD6503U, opción) mediante el cable de conexión de la unidad principal/módulo de expansión y el cable RCA (vídeo) (suministrado).

Nota sobre la unidad de mando a distancia de la unidad principal (página 79):

- El mando a distancia de algunas unidades principales no dispone de botones específicamente diseñados para el funcionamiento de la televisión, por lo que algunas operaciones no se pueden utilizar para el uso de la televisión. Sin embargo, esto no significa que el sintonizador o la unidad principal estén averiados.

Unidad principal sin conector del sistema

Conexión a la unidad principal (CQ-VD7001U)



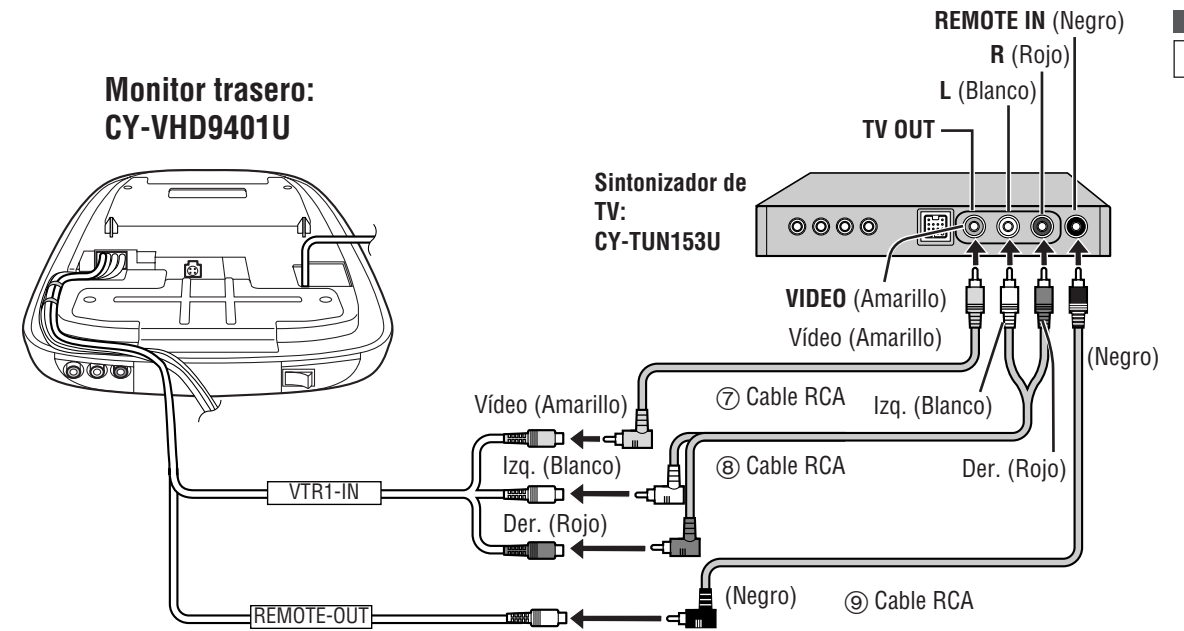
Nota:

- Para obtener información detallada sobre la instalación y las conexiones, consulte los manuales de funcionamiento e instalación de cada dispositivo.
- Conecte esta unidad a la unidad principal (CQ-VD7001U, opción) con el cable RCA (vídeo, audio, remoto) (suministrado).

Si ACC no está montado en el vehículo:

- Conecte el cable de control de alimentación de esta unidad al cable de alimentación de control del amplificador externo de la unidad principal. Si no se realiza esta conexión, la batería se agotará.

Conexión al monitor posterior (CY-VHD9401U)



Nota:

- Para obtener información detallada sobre la instalación y las conexiones, consulte los manuales de funcionamiento e instalación de cada dispositivo.
- Conecte esta unidad al monitor trasero (CY-VHD9401U, opción) con el cable RCA (vídeo, audio, remoto) (suministrado).

Al conectar el monitor trasero (CY-V7001U, opción)

- Para obtener información detallada sobre la instalación y las conexiones, consulte los manuales de funcionamiento e instalación de cada dispositivo.
- Conecte esta unidad al monitor trasero (CY-V7001U, opción) con el cable RCA (vídeo, audio, remoto) (suministrado).
- El monitor trasero se puede conectar a esta unidad, pero no se emite audio desde el receptor (opción).

Solución de problemas

Si sospecha que algo no funciona

Siga los pasos descritos a continuación.

Si las sugerencias expuestas no le ayudan a resolver el problema, le aconsejamos que se dirija con la unidad al centro de asistencia técnica Panasonic más cercano. Este producto sólo puede ser reparado por técnicos cualificados. Acuda a técnicos profesionales para realizar las comprobaciones y reparaciones. Panasonic no se responsabiliza de los accidentes derivados por el descuido de comprobar la unidad o una reparación propia después de una comprobación.

Nunca tome medidas, especialmente otras de las indicadas en letra cursiva en "Posible solución" descritas a continuación, porque pueden ser demasiado peligrosas para ser llevadas a cabo por los mismos usuarios.

⚠ Advertencia

- No utilice la unidad cuando el estado de la misma no sea normal, por ejemplo, no hay sonido, se observa humo o huele, ya que podría producirse un incendio o una descarga eléctrica. Deje de usar inmediatamente la unidad y póngase en contacto con su distribuidor.
- Nunca intente reparar la unidad, puesto que puede resultar peligroso.

Común

Problema	Posible causa	Posible solución
La unidad no recibe alimentación.	El cable de alimentación (batería, alimentación y conexión a tierra) está conectado incorrectamente.	Compruebe las conexiones.
	Se ha fundido un fusible.	Elimine la causa que ha provocado que el fusible se fundiera y cambie el fusible por uno nuevo. Póngase en contacto con su distribuidor.
Ruido.	Cerca de la unidad o de sus líneas eléctricas hay un aparato que está generando ondas electromagnéticas, por ejemplo, un teléfono móvil.	Aparte el aparato que genera las ondas electromagnéticas de la unidad y de los cables de la unidad. Si el ruido no se puede eliminar debido a la conexión de cables del vehículo, póngase en contacto con su distribuidor.
	El contacto del cable de conexión a tierra es deficiente.	Asegúrese de que el cable de alimentación esté firmemente conectado a una parte no pintada del chasis.
El ruido se incrementa o reduce con las revoluciones del motor.	El ruido del alternador procede del vehículo.	Cambie la posición de los cables de conexión a tierra. Instale un filtro para ruido en el suministro de alimentación.
Algunas operaciones no se pueden ejecutar.	Algunas operaciones no se pueden ejecutar, concretamente los modos de menú.	Lea el manual de instrucciones atentamente y cancele el modo. Si la unidad sigue sin funcionar, póngase en contacto con su distribuidor.

Común (continuación)

Problema	Posible causa	Posible solución
Recepción deficiente o ruidos. Las emisoras de televisión no se pueden recibir.	El ajuste de antena DIVER (diversidad) está ajustado en "OFF".	Cambie el ajuste a "ON" para obtener una buena recepción.
	La instalación o el cableado de la antena no es correcto.	Compruebe que la posición de montaje de la antena y sus cables sea correcta. Además, verifique si la conexión a tierra de la antena está firmemente conectada al chasis.
La alimentación de la unidad se interrumpe sin motivo aparente.	El sistema de seguridad funciona.	Póngase en contacto con su distribuidor o con el centro de asistencia técnica Panasonic más cercano.
El número de canales presintonizados automáticamente es inferior a 12.	El número de emisoras que se pueden recibir es inferior a 12.	Desplácese a una zona donde el número de canales que se puedan recibir sea el máximo e intente la presintonización.
Los canales presintonizados no se pueden almacenar.		Confirme la operación de presintonización y vuelva a presintonizar los canales.
	El contacto del cable de la batería es deficiente, o el cable de la batería no siempre tiene alimentación.	Asegúrese de que el cable de la batería esté firmemente conectado y vuelva a presintonizar los canales.

Unidad de mando a distancia

Problema	Posible causa	Posible solución
No hay respuesta al pulsar los botones.	La batería se ha insertado al revés. Se ha insertado una batería equivocada.	Inserte una batería correcta en la dirección correcta.
	La batería está a punto de agotarse.	Cambie la batería por una nueva.
	La dirección hacia la que se apunta el mando a distancia no es correcta.	Apunte el mando a distancia hacia el sensor en la unidad principal y pulse los botones.
	La dirección del cableado es incorrecta.	Compruebe la conexión del cable de la unidad principal (módulo de expansión si el modelo de unidad principal es CQ-VD7003U, CQ-VD6503U (opción)).
	El sensor está expuesto a la luz directa del sol. (El mando a distancia podría no funcionar cuando el sensor está expuesto a la luz directa del sol, pero el sistema no está averiado.)	Evite que la luz del sol incida en el sensor.

Solución de problemas (continuación)

Revisión del producto

Si las sugerencias de la tabla no solucionan el problema, le recomendamos que acuda con la unidad al centro de asistencia técnica Panasonic autorizado más próximo. Este producto sólo puede ser reparado por un técnico cualificado.

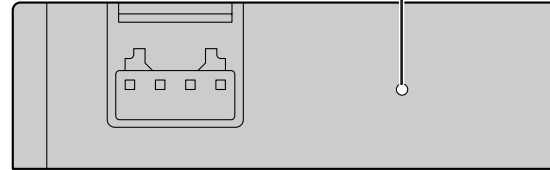
Sustitución del fusible

Utilice fusibles de la misma potencia especificada (3 A). El uso de tipos de fusibles diferentes o potencias superiores, o la conexión de la unidad directamente sin un fusible, pueden ocasionar incendios o daños a la unidad. **Si la sustitución del fusible falla, póngase en contacto con el centro de asistencia técnica Panasonic más próximo.**

Si la unidad no funciona

Interruptor de restablecimiento

Inserte un objeto firme y puntiagudo en el orificio y presione el interruptor.



IMPORTANTE

Pulse el interruptor únicamente cuando no funcione ningún botón de la unidad. (Los ajustes almacenados no se borran.) Si la unidad no vuelve a funcionar con normalidad, llame al centro de asistencia técnica Panasonic más cercano y pregunte por el departamento de reparaciones.

Sintonizador sólo para televisión analógica

Esta unidad no es compatible con las emisiones de televisión digital.

Transición de emisiones de televisión analógica a emisiones de televisión digital:

Las emisiones de televisión digital ya han comenzado en algunos países y regiones. Está previsto que su expansión se realice gradualmente a otros países y regiones.

Repercusiones para esta unidad:

Algunos países y regiones están cambiando gradualmente los canales de emisión de televisión analógica para asegurarse los canales de emisión necesarios para el inicio de las emisiones de la televisión digital.

Por todo ello, está previsto que se produzcan los siguientes efectos, que no deben considerarse como defectos de funcionamiento de esta unidad:

- Puede que no sea posible recibir las emisiones de los canales previamente memorizados.
- Puede que un canal previamente memorizado reciba una cadena de televisión diferente.
- Puede que algunos de los canales seleccionados (memorizados) no muestren ninguna imagen.

Solución:

Consulte estas instrucciones y vuelva a seleccionar los canales (cambie los canales que están memorizados).

Especificaciones

General

Fuente de alimentación:	CC de 12 V (11 V–16 V), tensión de prueba 14,4 V, conexión a tierra negativa
Consumo eléctrico:	menos de 0,5 A
Señal de salida de vídeo:	Señal de vídeo compuesto, 1,0 Vp-p (75 Ω)
Señal de salida de audio:	1 Vrms a 400 Hz (con 100% de modulación)
Dimensiones (Ancho×Alto×Largo):	156×22,5×150 mm {6 ³ / ₁₆ "×1 ⁵ / ₁₆ "×5 ¹⁵ / ₁₆ "}
Peso:	650 g {1 lbs. 7 oz}

Sección sobre el televisor

Sensibilidad útil:	36 dB/μV
--------------------	----------

Antena de diversidad

Fuente de alimentación:	CC de 12 V (11 V–16 V), tensión de prueba 14,4 V, conexión a tierra negativa
Consumo eléctrico:	menos de 0,1 A
Impedancia de salida:	75 Ω×4 (con conector mini)
Longitud del cable:	6 m
Dimensiones (Ancho×Alto×Largo):	480×340×20 mm {18 ¹⁵ / ₁₆ "×13 ⁷ / ₁₆ "×1 ³ / ₁₆ "}
Peso (cada unidad):	330 g {12 oz} (incluido el cable)

Nota:

- Las especificaciones y el diseño están sujetos a cambios sin previo aviso debido a la introducción de mejoras.
- Algunas de las imágenes e ilustraciones mostradas en este manual pueden ser diferentes de las que aparecen en su producto.

**Panasonic Consumer
Electronics Company,
Division of Panasonic
Corporation of North America**
One Panasonic Way, Secaucus,
New Jersey 07094
<http://www.panasonic.com>

**Panasonic Sales Company,
Division of Panasonic Puerto
Rico, Inc. ("PSC")**
Ave. 65 de Infanteria, Km. 9.5
San Gabriel Industrial Park,
Carolina, Puerto Rico 00985
<http://www.panasonic.com>

Panasonic Canada Inc.
5770 Ambler Drive,
Mississauga, Ontario
L4W 2T3
<http://www.panasonic.ca>

YFM284C547ZA PTW1105-1125 Printed in Taiwan
Imprimè a Taiwan
Impreso en Taiwán

© 2005 Matsushita Electric Industrial Co., Ltd. All Rights Reserved

Free Manuals Download Website

<http://myh66.com>

<http://usermanuals.us>

<http://www.somanuals.com>

<http://www.4manuals.cc>

<http://www.manual-lib.com>

<http://www.404manual.com>

<http://www.luxmanual.com>

<http://aubethermostatmanual.com>

Golf course search by state

<http://golfingnear.com>

Email search by domain

<http://emailbydomain.com>

Auto manuals search

<http://auto.somanuals.com>

TV manuals search

<http://tv.somanuals.com>