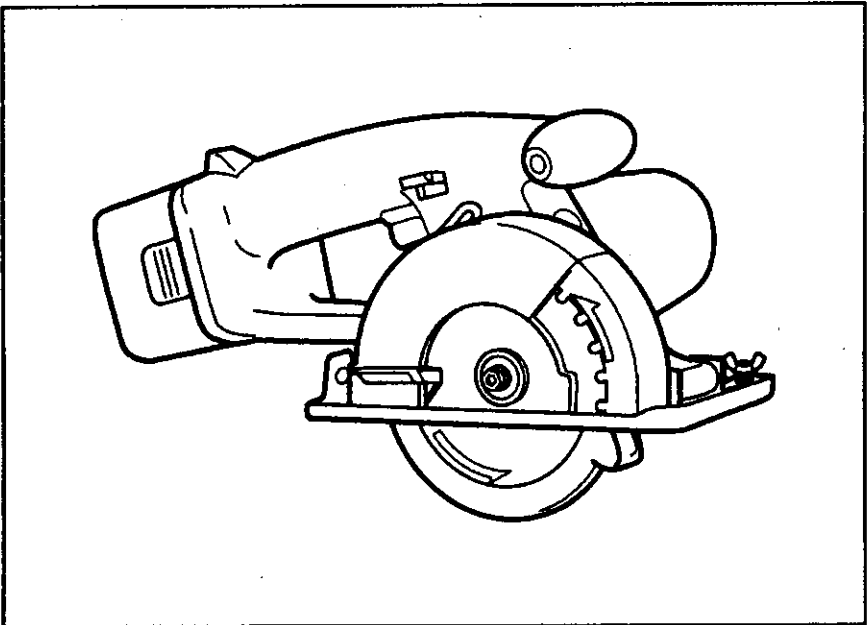


Panasonic xi

Cordless Metal Cutter

Operating Instructions

Model No: EY3530



IMPORTANT

This manual contains safety information. Read manual completely before first using this product and save this manual for future use.

SAVE THESE INSTRUCTIONS

Table of Contents

	Page
Introduction.....	4
• How to Use This Manual.....	4
GENERAL SAFETY RULES-FOR ALL BATTERY OPERATED TOOLS.....	4
SPECIFIC SAFETY RULES	5
FOR BATTERY CHARGER & BATTERY PACK.....	7
Parts and Controls	9
Setting Up.....	10
• Charging Battery Pack.....	10
• Inserting Battery Pack.....	11
Operation	11
• Before Using Metal Cutter.....	11
• Using Metal Cutter	12
• Cutting depth adjustment	13
• Rip fence (EY3500B7727)	13
• Alignment with cutting line	13
• For Proper Use (Further Detail)	14
Maintenance	16
• Removing Blade.....	16
• Installing Blade.....	17
• For Appropriate use of Battery pack	17
• Battery Pack life	17
• Cleaning Metal Cutter	17
• Transparent Window	17
Accessories.....	17
Specifications.....	18

Introduction

Thank you for purchasing the Panasonic Metal Cutter. The powerful cutting action of this cutter, combined with the convenience of its rechargeable battery pack, provides you with great metal cutting performance.

This Metal Cutter is only to be used for cutting unhardened ferrous metal and plastic material.

DANGER

This product is a cutting tool, designed to cut through metal. It has a rotating blade which is capable of cutting you deeply, causing serious injury or death. As a result, please read this manual and the cautionary markings on the tool carefully, and obey all of the safety instructions and additional safety instructions to avoid such injury.

WARNING

- To avoid injury, never insert your finger or any other object into any opening of the metal cutter.

How to Use This Manual

- Please read this manual completely before starting to cut with your Metal Cutter. If you let someone else use the Metal Cutter, make sure they either read this manual or are fully instructed in the proper use and all safety precautions concerning the Metal Cutter.
- Please Keep this manual for further reference. It contains important safety information that you must follow to use the Metal Cutter safely.
- This manual and product use the following signal words:

NOTE

Notes provide additional information that you should know about the Metal Cutter.

CAUTION

Caution indicates a potentially hazardous situation, which could result in minor or moderate injury if not avoided. Cautions also alert you to unsafe practices to be avoided.

WARNING

Warning indicates a potentially hazardous situation, which could result in serious injury or death if not avoided.

DANGER

Danger indicates an imminent hazard which will result in serious injury or death if not avoided.

GENERAL SAFETY RULES- FOR ALL BATTERY OPERATED TOOLS

WARNING!

READ AND UNDERSTAND ALL INSTRUCTIONS. Failure to follow all instructions listed below, may result in electric shock, fire and / or serious personal injury.

SAVE THESE INSTRUCTIONS

Work Area

- 1) **Keep your work area clean and well lit.** Cluttered benches and dark areas invite accidents.
- 2) **Do not operate power tools in explosive atmospheres, such as in the presence of flammable liquids, gases, or dust.** Power tools create sparks which may ignite the dust or fumes.
- 3) **Keep bystanders, children, and visitors away while operating a power tool.** Distractions can cause you to lose control. Make sure that no one is beneath, or on the other side of the area where you are working.

Electrical Safety

- 4) **A battery operated tool with integral batteries or a separate battery pack must be recharged only with the specified charger for the battery.** A charger that may be suitable for one type of battery may create a risk of fire when used with another battery.
- 5) **Use battery operated tool only with specifically designated battery pack.** Use of any other batteries may create a risk of fire.

Personal Safety

- 6) **Stay alert, watch what you are doing, and use common sense when operating a power tool. Do not use tool while tired or under the influence of drugs, alcohol, or medication.** A moment of inattention while operating power tools may result in serious personal injury.
- 7) **Dress properly. Do not wear loose clothing or jewelry. Contain long hair. Keep your hair, clothing, and gloves away from moving parts.** Loose clothes, jewelry, or long hair, can be caught in moving parts.

- 8) **Avoid accidental starting. Be sure switch is in the locked or off position before inserting battery pack.**

Carrying tools with your finger on the switch or inserting the battery pack into a tool with the switch on invites accidents.

- 9) **Remove adjusting keys or wrenches before turning the tool on.**

A wrench or a key that is left attached to a rotating part of the tool may result in personal injury.

- 10) **Do not overreach. Keep proper footing and balance at all times.**

Proper footing and balance enable better control of the tool in unexpected situations.

- 11) **Use safety equipment. Always wear eye protection.**

Dust mask, non-skid safety shoes, hard hat, or hearing protection must be used for appropriate conditions.

Tool use and care

- 12) **Use clamps or other practical way to secure and support the workpiece to a stable platform.**

Holding the work by hand or against your body is unstable and may lead to loss of control and serious bodily injury.

- 13) **Do not force tool. Use the correct tool for your application.**

The correct tool will do the job better and safer at the rate for which it is designed.

- 14) **Do not use tool if switch does not turn it on or off.**

A tool that cannot be controlled with the switch is dangerous and must be repaired.

- 15) **Disconnect battery pack from tool or place the switch in the locked or off position before making any adjustments, changing accessories, or storing the tool.**

Such preventive safety measures reduce the risk of starting the tool accidentally.

- 16) **Store idle tools out of reach of children and other untrained persons.**

Tools are dangerous in the hands of untrained users.

- 17) **When battery pack is not in use, keep it away from other metal objects like: paper clips, coins, keys, nails, screws, or other small metal objects that can make a connection from one terminal to another.**

Shorting the battery terminals together may cause sparks, burns or a fire.

- 18) **Maintain tools with care. Keep cutting tools sharp and clean.**

Properly maintained tools with sharp cutting edge are less likely to bind and are easier to control.

- 19) **Check for misalignment or binding of moving parts, breakage of parts, and any other condition that may affect the tool's operation. If damaged, have the tool serviced before using.**

Many accidents are caused by poorly maintained tools.

- 20) **Use only accessories that are recommended by the manufacturer for your model.**

Accessories that may be suitable for one tool may create a risk of injury when used on another tool.

Service

- 21) **Tool service must be performed only by qualified repair personnel.**

Service or maintenance performed by unqualified personnel may result in a risk of injury.

- 22) **When servicing a tool, use only identical replacement parts. Follow instructions in the Maintenance section of this manual.**

Use of unauthorized parts or failure to follow Maintenance Instructions may create a risk of shock or injury.

SPECIFIC SAFETY RULES

DANGER!

- 1) **Keep hands away from cutting area and blade. Keep your second hand on auxiliary handle or motor housing.**

If both hands are holding the cutter, they cannot be cut by the blade.

Keep your body positioned to either side of the cutter blade, but not in line with the cutter blade.

KICKBACK could cause the cutter to jump backwards. (See KICKBACK)

Do not reach underneath the work.

The guard can not protect you from the blade below the work.

- 2) **Check lower guard for proper closing before each use. Do not operate cutter if lower guard does not move freely and close instantly. Never clamp or tie the lower guard into the open position.**

If cutter is accidentally dropped, lower guard may be bent. Raise the lower guard with the Lower Guard Lift Lever and make sure it moves freely and does not touch the blade or any other part, in all angles and depths of cut.

- 3) **Check the operation and condition of the lower guard spring. If the guard and the spring are not operating properly, they must be serviced before use.**

Lower guard may operate sluggishly due to damaged parts, gummy deposits, or a buildup of debris.

- 4) **Lower guard should be retracted manually only for special cuts such as "Pocket Cuts" and "Compound Cuts". Raise lower guard by Lower Guard Lift Lever. As soon as blade enters the material, lower guard must be released.**

For all other cutting, the lower guard should operate automatically.

- 5) **Always observe that the lower guard is covering the blade before placing cutter down on bench or floor.**

An unprotected, coasting blade will cause the cutter to walk backwards, cutting whatever is in its path. Be aware of the time it takes for the blade to stop after switch is released.

- 6) **NEVER hold piece being cut in your hands or across your leg.**

It is important to support the work properly to minimize body exposure, blade binding, or loss of control.

- 7) **Hold tool by insulated gripping surfaces when performing an operation where the cutting tool may contact hidden wiring.**

Contact with a "live" wire will also make exposed metal parts of the tool "live" and shock the operator.

- 8) **When ripping always use a rip fence or straight edge guide.**

This improves the accuracy of cut and reduces the chance for blade binding.

- 9) **Always use blade with correct size and shape (diamond vs. round) arbor holes.**

Blades that do not match the mounting hardware of the cutter will run eccentrically, causing loss of control.

- 10) **Never use damaged or incorrect blade washers or bolts.**

The blade washers and bolt were specially designed for your cutter, for optimum performance and safety of operation.

- 11) **Cause and Operator Prevention of Kickback:** Kickback is a sudden reaction to a pinched, bound, or misaligned cutter blade, causing an uncontrolled cutter to lift up and out of the workpiece toward the operator. When the blade is pinched or

bound tightly by the kerf closing down, the blade stalls and the motor reaction drives the unit rapidly back toward the operator.

If the blade becomes twisted or misaligned in the cut, the teeth at the back edge of the blade can dig into the top surface of the metal causing the blade to climb out of the kerf and jump back toward the operator.

Kickback is the result of tool misuse and / or incorrect operating procedures or conditions and can be avoided by taking proper precautions as given below:

- 12) **Maintain a firm grip on the cutter and position your body and arm in a way that allows you to resist KICKBACK forces.**

KICKBACK forces can be controlled by the operator, if proper precautions are taken.

- 13) **When blade is binding, or when interrupting a cut for any reason, release the trigger and hold the cutter motionless in the material until the blade comes to a complete stop.**

Never attempt to remove the cutter from the work or pull the cutter backward while the blade is in motion or KICKBACK may occur.

Investigate and take corrective actions to eliminate the cause of blade binding.

- 14) **When restarting a cutter in the workpiece, center the cutter blade in the kerf and check that teeth are not engaged into the material.**

If cutter blade is binding, it may walk up or KICKBACK from the workpiece as the cutter is restarted.

- 15) **Support large panels to minimize the risk of blade pinching and KICKBACK.**

Large panels tend to sag under their own weight. Supports must be placed under the panel on both sides, near the line of cut and near the edge of the panel.

- 16) **Do not use dull or damaged blade.**

Unsharpened or improperly set blades produce narrow kerf causing excessive friction, blade binding, and KICKBACK.

- 17) **Blade depth and bevel adjusting locking levers must be tight and secure before making cut.**

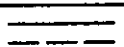
If blade adjustment shifts while cutting, it will cause binding and KICKBACK.

- 18) **Use extra caution when making a "Pocket Cut" into existing walls or other blind areas.**

The protruding blade may cut objects that

can cause KICKBACK, or a live wire could cause electric shock.

- 19) The risk of kickback increases as the battery pack discharges.
- 20) Be sure to inspect material. Avoid cutting bolts, nails or other different material.
- 21) Be careful not to drop Metal Cutter.
- 22) Never swing Metal Cutter.
- 23) Never cover the ventilation slots, and keep them free from dust or other material.
- 24) Do not clamp Metal Cutter in a vise. Never cut with Metal Cutter held upside down in a vise. This is extremely dangerous and can lead to serious accidents.
- 25) Never wear knitted gloves.
- 26) Be sure no one is below when using Metal Cutter in high locations.
- 27) Do not touch the blade immediately after operation. It may be hot and could burn your skin.

Symbol	Meaning
V	volts
	Direct Current
n ₀	no load speed
... / min	revolutions or reciprocation per minute

FOR BATTERY CHARGER & BATTERY PACK

SAVE THESE INSTRUCTIONS

-This manual contains important safety and operating instructions for battery charger EY0230.

- 1) Before using battery charger, read all instructions and cautionary markings on (1) battery charger, (2) battery pack.
- 2) **CAUTION** -To reduce the risk of injury, charge only Battery Pack EY9001, EY9080, EY9065, EY9006, EY9086, EY9101, EY9180, EY9182, EY9106, EY9107, EY9136, EY9230, EY9200, EY9108.
Other types of batteries may burst causing personal injury and damage.
- 3) Do not expose charger to rain or snow.
- 4) To reduce risk of damaging the electric plug and cord, pull by plug rather than cord

when disconnecting charger.

- 5) Make sure cord is located so that it will not be stepped on, tripped over, or otherwise subjected to damage or stress.
- 6) An extension cord should not be used unless absolutely necessary.
Use of improper extension cord could result in a risk of fire and electric shock. If extension cord must be used, make sure:
 - a. that pins on plug of extension cord are the same number, size and shape as those of plug on charger.
 - b. that extension cord is properly wired and in good electrical condition.
 - c. that wire size is large enough for ampere rating of charger as specified below.

RECOMMENDED MINIMUM AWG SIZE OF EXTENSION CORDS FOR BATTERY CHARGERS			
AC Input Rating, Amperes	AWG Size of Cord		
Equal to or greater than	But less than	Length of Cord, Feet	
		25	50 100 150
0	2	18	18 18 16

- 7) Do not operate charger with damaged cord or plug—take it to a qualified serviceman.
- 8) Do not operate charger if it has received a sharp blow, been dropped, or otherwise damaged in any way; take it to a qualified serviceman.
- 9) Do not disassemble charger; take it to a qualified serviceman when service or repair is required. Incorrect reassembly may result in a risk of electric shock or fire.
- 10) To reduce the risk of electric shock, unplug charger from outlet before attempting any maintenance or cleaning.
- 11) The charger and battery pack are specifically designed to work together. Do not attempt to charge any other cordless tool or battery pack with this charger.
- 12) Do not attempt to charge the battery pack with any other charger.
- 13) Do not attempt to disassemble the battery pack housing.
- 14) Do not store the tool and battery pack in locations where the temperature may reach or exceed 122°F (50°C) (such a metal tool shed, or a car in the summer), which can lead to deterioration of the battery pack.
- 15) Do not charge battery pack when the temperature is BELOW 32°F (0°C) or ABOVE 104°F (40°C).

- 16) Do not incinerate the battery pack. It can explode in a fire.
- 17) Avoid dangerous environment. Do not use charger in damp or wet locations.
Do not hold the plug with a wet hand.
- 18) The charger is designed to operate on standard household 120V AC electrical power only.
Do not attempt to use it on any other voltage. Before connecting the charger to a power source (receptacle, outlet, etc.), be sure the voltage supplied is standard 120 volt AC.
DO NOT PLUG THE CHARGER into a power source greater than that specified for the charger. This can result in damage to the charger and is a potential fire hazard.
Do not use a generator as a power source.
- 19) Do not abuse cord. Never carry charger by cord or yank it to disconnect from outlet. Keep cord away from heat, oil and sharp edges.
- 20) Charge the battery pack in a well ventilated place, do not cover the charger and battery pack with a cloth, etc., while charging.
- 21) Use of an attachment not recommended may result in a risk of fire, electric shock, or injury to persons.
- 22) Do not short the battery pack. If you keep a battery pack in a tool box, for example, it could be shorted by touching any metal objects in the box. Store in a dry location.
Do not allow the battery pack to become wet with any liquid. A battery short can cause a large current flow, overheating and burns.
- 23) Use only a dry, soft cloth for cleaning the charger. Do not use a damp cloth, thinner, benzine, or other volatile solvents for cleaning.
- 24) **NOTE:** If the supply cord of this appliance is damaged, have it serviced by a qualified servicer.
- 25) **TO REDUCE THE RISK OF ELECTRIC SHOCK, THIS APPLIANCE HAS A POLARIZED PLUG (ONE BLADE IS WIDER THAN THE OTHER).**
This plug will fit in a polarized outlet only one way. If the plug does not fit fully in the outlet, reverse the plug. If it still does not fit, contact a qualified electrician to install the proper outlet. Do not change the plug in any way.

Parts and Controls

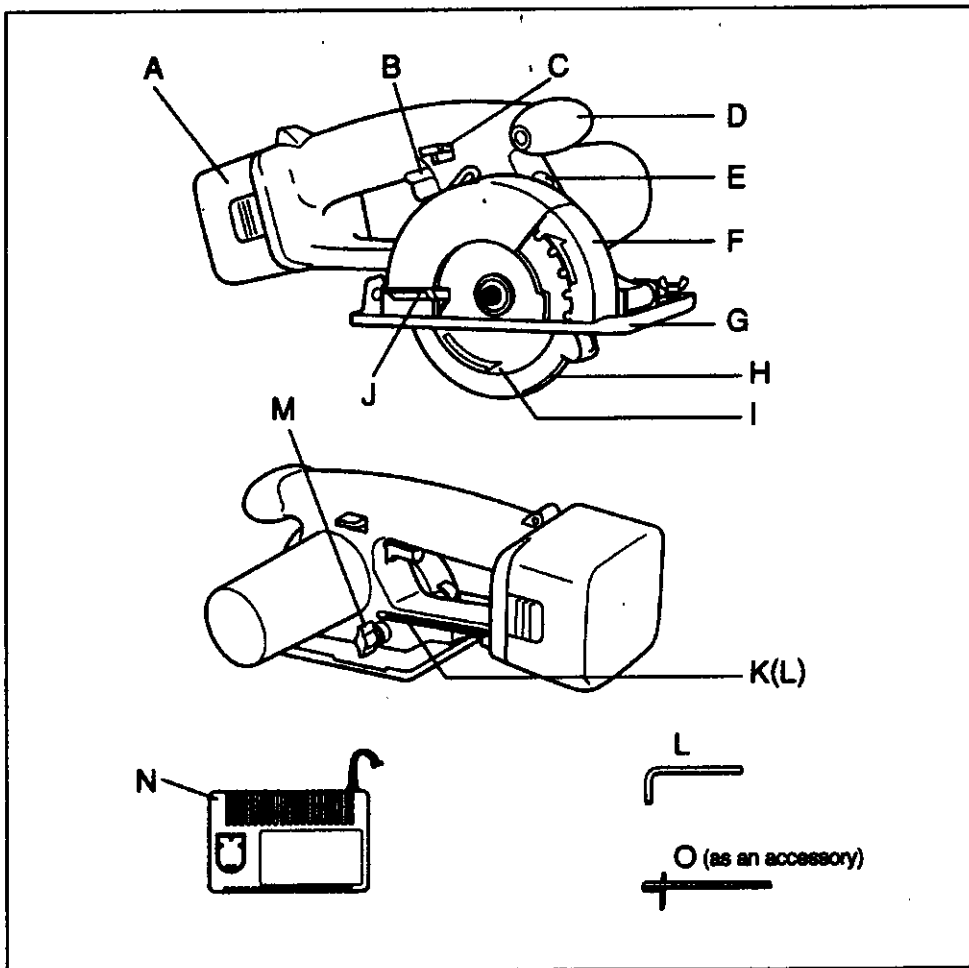


Fig. 1

A	Battery Pack (EY9230)
B	Power switch
C	Switch Lock Lever
D	Front grip
E	Shaft Lock Button
F	Transparent Window
G	Base
H	Lower Guard
I	Blade
J	Lower Guard Lift lever
K	Storage Slot for Hex Wrench
L	Hex Wrench
M	Depth adjustment nut
N	Battery Charger (EY0230)
O	Flip Fence (as an accessory)

Setting Up

Charging Battery Pack

Charge the battery pack when the cutting speed becomes too slow for effective cutting. If you have two battery packs, you can use one to continue working while charging the other one.

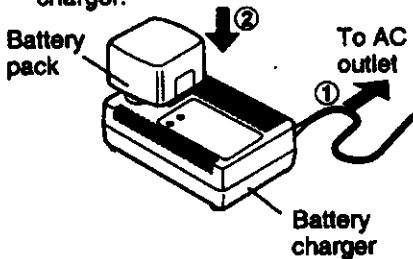
Note: When you charge the battery pack for the first time, or after prolonged storage, charge it for about 24 hours to bring the batteries up to full capacity.

EY0230

1. Plug the charger into the AC outlet.

Note: • Sparks may be produced when the plug is inserted into the AC power supply, but this is not a problem in terms of safety.

2. Insert the battery pack firmly into the charger.



3. During charging, the charging lamp will be lit.

When charging is completed, an internal electronic switch will automatically be triggered to prevent overcharging.

• Charging will not start if the battery pack is warm (for example, immediately after heavy-duty operation).

The orange standby lamp will be lit until the battery cools down. Charging will then begin automatically.

4. When charging is completed, the charging lamp will start flashing rapidly.

5. When the battery pack has not been used for a long time, the charging lamp starts flashing slowly to indicate protective charging. Protective charging takes longer to fully charge the battery pack, than the standard charging time. (Max. charging time is approx. 90 minutes).

• If a fully charged battery pack is inserted into the charger again, the charging lamp may light up. After several min-

utes, the charging lamp may flash quickly to indicate the charging is completed.

6. If the charging lamp does not light immediately after the charger is plugged in, or if after the standard charging time the lamp does not go off, consult an authorized dealer.

Note: • When a cold battery (of about 5°C or less) is to be charged in a warm room, leave the battery in the room for at least one hour and charge it when it has warmed up to room temperature. (Failing to do so may result in less than a full charge.)

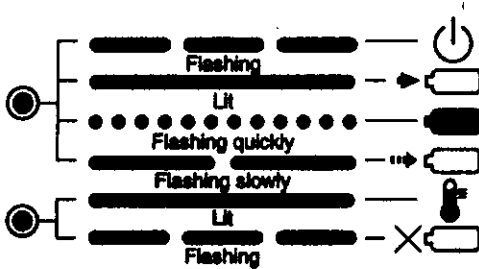
• Cool down the charger when charging more than two battery packs consecutively.

• Do not insert your fingers into contact hole, when holding charger or any other occasions.

CAUTION: • Do not use power source from an engine generator.

• Do not cover vent holes on the charger and the battery pack.

Lamp Indication



Charger is plugged into a wall outlet. Ready to charge.

Now charging

Charging is completed

Protective charging

Battery pack is warm. Charging will begin when temperature of battery pack drops.

Charging is not possible. Clogged with dust or malfunction of the battery pack.

Inserting Battery Pack

CAUTION

Before inserting the battery pack, check that the power switch in the Metal Cutter actuates properly and returns to the "OFF" position when released.

1. To insert the battery pack:

Slide the battery pack in place at the rear of the metal cutter. The battery should snap into place. If the battery is loose, it has not been properly connected.

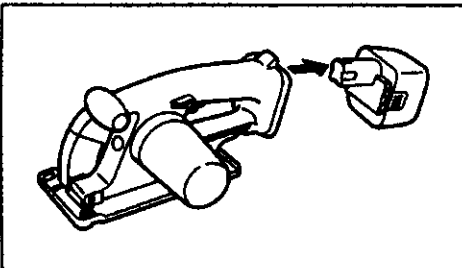


Fig. 3

2. To remove the battery pack:

Press the two tabs on the sides of the battery pack. Slide the battery pack out of the metal cutter body.

Operation

Before Using Metal Cutter

Each time you use the metal cutter, you must make sure it is in good operating condition.

Use the following checklist:

1. Is the blade installed in the correct direction?
The arrow on the blade must point in the same direction as the arrow on the upper blade cover.
2. Is the blade installed properly?
Make sure the hex bolt is tightened securely. (See Fig. 13 page 16)
3. Does the blade look all right?
Replace the blade immediately if there are any cracks in it or if any teeth are broken.
4. Does the lower blade guard close properly?

WARNING

To avoid injury, do not use the metal cutter if the lower blade guard does not close quickly over the blade.

5. Is the transparent window securely installed?
6. Is the battery pack charged and inserted firmly to the metal cutter?

Using Metal Cutter

CAUTION

Read the "General and Specific Safety Rules" at the front of this manual before using the metal cutter.

Follow these steps:

Hold the metal cutter with both hands, as shown in Fig. 4. Do not attempt to remove cut material when blade is moving.

1. Line up the center of the notch with your cutting line.
2. Press the switch lock lever down, then squeeze the power switch to start the motor.

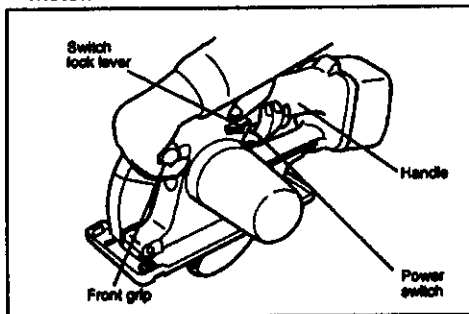


Fig. 4

CAUTION

- Check that the switch lock lever works. If power switch can be activated without depressing the switch lock lever, discontinue use immediately. Take the tool to an authorized service center.
- Always hold the handle with one hand and the front grip with the other. (See Fig. 4, page 12) Maintain a firm grip and depress the switch fully.
- The blade should not touch the cutting material before you start the motor. Wait until the blade reaches full speed before starting a cut.

CAUTION

This tool has no provision to lock the switch in the "ON" position, and you must not attempt to secure it in the "ON" position.

3. Start cutting when the blade reaches full speed.
4. During cutting, keep your cutting line straight. Move the metal cutter forward at a steady speed, while looking at the tip of the blade through the transparent window.

WARNING

- To prevent dangerous kickback, keep the base of the metal cutter flat on the surface of the material being cut.
 - Never force the cutter. Use light and continuous pressure.
5. If the motor starts to feel too warm, stop cutting. Let the metal cutter cool down before continuing work.
 6. It is always a safe practice to remove the battery pack after use and before storing the metal cutter.

Cutting depth adjustment

- Loosen the depth adjustment wing nut and adjust the cutting depth.
- Tighten the depth adjustment wing nut securely at the desired cutting depth.

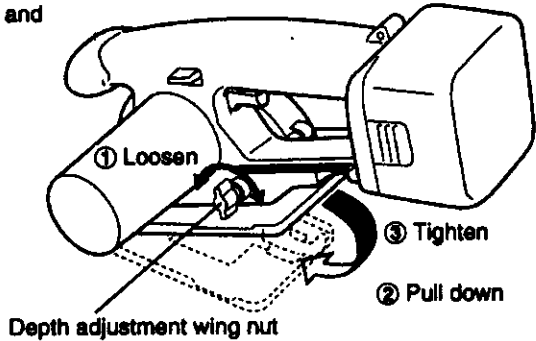


Fig. 5

Rip fence (EY3500B7727)

(Available as an accessory, not included)

- Rip fence is convenient for rip cuts and repeated cuts of uniform width.
- Adjust rip fence as shown.

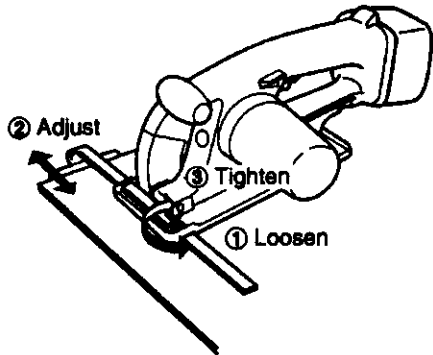


Fig. 6

Alignment with cutting line

- Use the notch as a guide to establish cutting position. Align the notch with cutting line.
- As the cutting position may differ depending on the blade, do a trial cut beforehand.

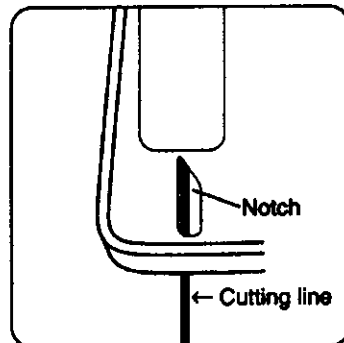


Fig. 7

For Proper Use (Further Detail)

WARNING

1. It is important to use an appropriate device to hold the material being cut properly, and to hold the cutter firmly with both hands to prevent loss of control which could cause personal injury.

- Figure 8 shows proper cutting position.

- Note that hands are kept away from cutting area.
- When cutting, do not try to hold the material with your hand.

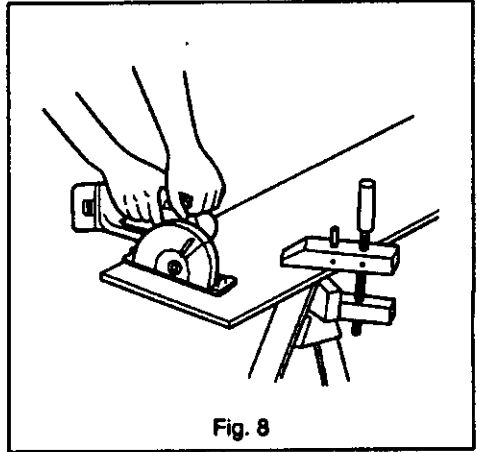


Fig. 8

WARNING

2. Support large pieces of material, near the cut. Be sure to support large pieces of material properly to minimize the risk of blade pinching and kickback.

- Use sharp blades only. Clean and sharp blades minimize stalling and kickback.

Proper Support of Material

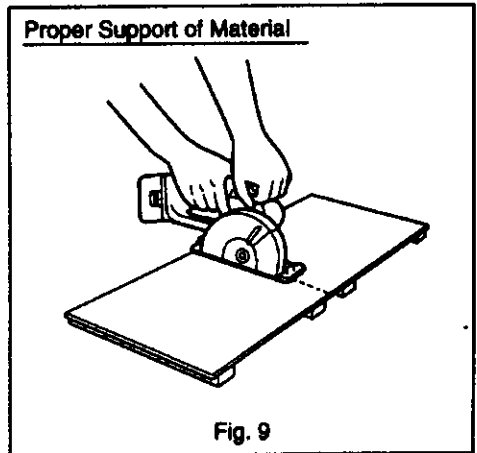


Fig. 9

3. Don't support the material away from the cut.

Improper Support of Material

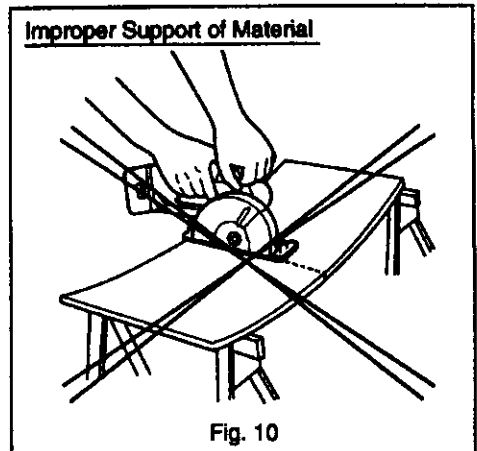


Fig. 10

WARNING

- When making an incomplete cut or cutting is interrupted, or blade is binding or cutter is stalling; release the trigger immediately and hold the cutter motionless in the material until the blade comes to a complete stop. To avoid kickback, never attempt to remove the cutter from the work or pull the cutter backward while the blade is in motion. Make sure the blade has come to a complete stop, then remove cutter from cut. To resume cutting, start metal cutter, allow the blade to reach full speed, reenter the cut slowly and resume cutting.

4. Place the wider part of the cutter base on the part of the work piece which is solidly supported (Fig. 11), never on the section that will fall off when the cut is made (Fig. 12).

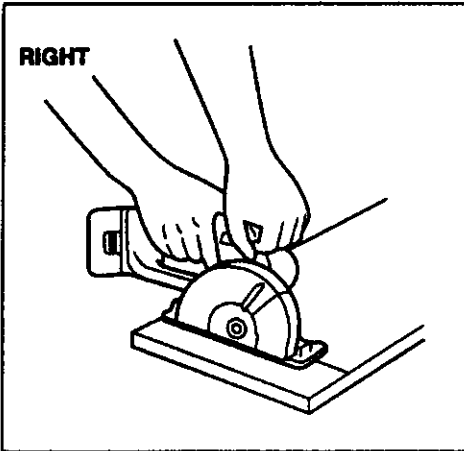


Fig. 11

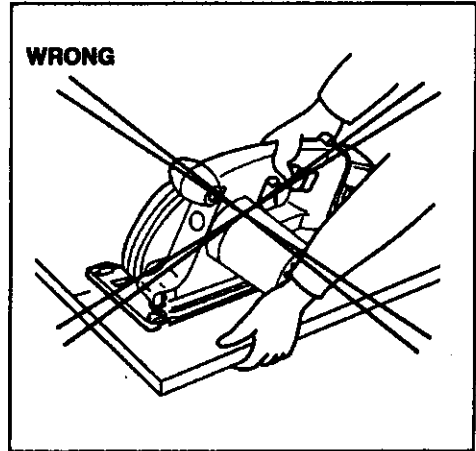


Fig. 12

- Hold the cutter firmly to prevent loss of control. Working carelessly can cause severe personal injury.
5. Make sure the blade stops.
Even though your metal cutter has an automatic brake, before setting the metal cutter down, make sure the blade has come to a complete stop and the lower blade guard has closed.
6. Do not use if anything seems unusual. Remove battery pack immediately.
• If the metal cutter body becomes very hot, or does not work properly, remove the battery pack and do not use. Have it checked by an authorized service center.

WARNING

Do not try to repair the metal cutter yourself. Never disassemble or modify the metal cutter body. There are no user-repairable parts inside.

7. • NEVER ALLOW THE CUTTER TO COME IN CONTACT WITH YOUR BODY.
• After completing a cut, do not allow the cutter to brush against your leg or side. Since the lower guard is retractable, it could catch on your clothing and expose the blade. Keep clothing away from metal cutter. Be aware of the exposed blade sections that exist in both the upper and lower guard areas.

WARNING

Because cutting metal creates sparks;

- Always use safety goggles.
- Do not use metal cutter near any flammable substance or in an area where flammable substances are used. Fire and burn injury could result.

8. Never engage the shaft lock while blade is running, or engage in an effort to stop the tool. Never turn the switch on when the shaft lock is engaged. Serious damage to your metal cutter will result.

Maintenance

WARNING

To avoid severe personal injury, always remove the battery pack from the metal cutter before starting any maintenance procedure.

CAUTION

To assure product SAFETY and RELIABILITY, servicing should be performed by an authorized service center. Always insist on genuine Panasonic replacement parts.

Removing Blade

CAUTION

The blade will be hot right after cutting. Be sure to let the blade cool down before removing it.

Follow these steps:

1. Remove the battery pack from the metal cutter.
 2. Hold the shaft lock button down. This prevents the blade from rotating.
 3. Use the provided hex wrench to loosen the hex bolt.
- NOTE**
Keep the hex wrench in the storage slot on the metal cutter's body when not using it.
4. Remove the hex bolt and outer washer.
 5. Use the lower guard lift lever to retract (open) the lower guard.
 6. Carefully remove the blade.
 7. Clean the metal cutter if necessary.

CAUTION

- Be careful to avoid cutting your hands on the blade.
- When disposing of a blade, secure it inside heavy or corrugated paper. This will help prevent anyone from being cut by the discarded blade.

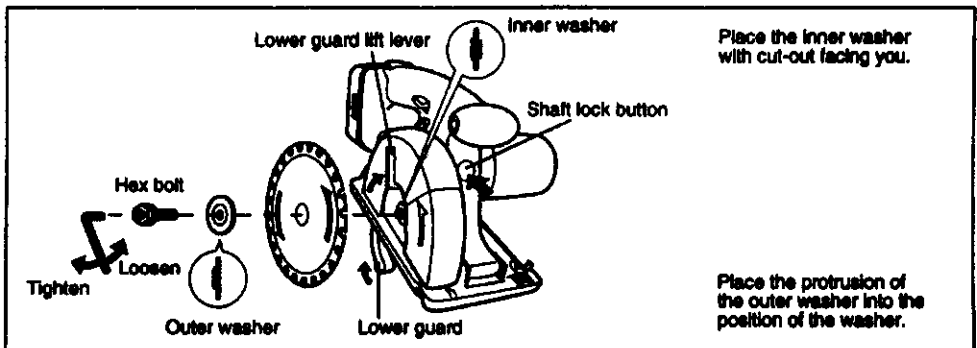


Fig. 13

Installing Blade

Follow these steps:

1. Remove the battery pack from the metal cutter.
2. Remove any cutting debris from blade area.
3. Use the lower guard lift lever to retract (open) the lower guard.
4. Install the blade as illustrated in Fig. 13 (page 16). Make sure that both the direction arrow on the blade and the direction arrow on the upper blade cover point in the same direction.
5. Set the outer washer in place.
6. Insert the hex bolt.
7. Hold the shaft lock button down. This prevents the blade from rotating.
8. Tighten the hex bolt securely with the provided hex wrench. Store the hex wrench.

CAUTION

Keep the hex wrench in the storage slot on the metal cutter's body when not using it.

WARNING

Failure to follow these instructions can result in severe personal injury.

For Appropriate use of Battery pack

Ni-MH Battery pack (EY9230)

- Charge the Ni-MH battery fully before storage in order to ensure a longer service life.
- The ambient temperature range is between 0°C and 40°C.

If the battery pack is used when the battery temperature is below 0°C, the tool may fail to function properly. In that, charge the battery until charging is completed for appropriate functioning of the battery.

Battery Pack Life

The rechargeable batteries have a limited life. If the operation time becomes extremely short after recharging, replace the battery pack with a new one.

Note: • Use under extremely hot or cold conditions will reduce operating capacity per charge.

NOTE

Even if you don't use the Metal Cutter, charge the battery pack at least once every six months.

Cleaning Metal Cutter

Keep your metal cutter clean for good cutting performance and to help keep it safe to use.

Follow these steps:

1. Remove the battery pack from the metal cutter.
2. Wipe the metal cutter with a dry, soft cloth. Do not use a wet cloth or cleaning liquids. They could damage the metal cutter's finish.
3. Be sure to rub off any oil or grease which could make the metal cutter slippery or hard to handle.
4. Remove the blade and brush off any dust.

CAUTION

To avoid injury or damage to the unit, never immerse any part of the tool in a liquid.

Transparent Window

WARNING

If the window is cracked, or is broken, take the metal cutter to an authorized service center for replacement. Do not attempt to operate cutter. It could result in serious personal injury.

Never use your metal cutter with a damaged transparent window or without the transparent window installed. Flying chips could result in serious injury.

Accessories

WARNING

- The use of any accessories not specified in this manual may result in fire, electric shock, or personal injury. Use recommended accessories only.
- Use of a blade on material that is thicker or thinner than that recommended for that blade will result in a rough cut, and could increase the risk of "kick back" or other injury.

Blade for metal material

- EY9PM13C
For cutting unhardened ferrous material
Thickness of material
0.5mm-6.0mm(1/32"-1/4")

Blade for cutting thin metal material

- EY9PW13B
For cutting unhardened ferrous material
Thickness of material
0.5mm-6.0mm(1/32"-1/4")

Blade for plastic

• EY9PP13B

For cutting plastic.

Recommended thickness of material acrylic
and vinyl chloride plates:

2.0mm-5.0mm(5/64"-3/16")

corrugated plates, pipes:

0.8mm-5.0mm(1/32"-3/16")

Specifications

Metal Cutter (EY3530)

Motor voltage	15.6 V DC
Blade Speed	3100 / min (rpm)
Blade Size Outside diameter Arbor size	135 mm, (5-5 / 16") 20 mm, (25 / 32")
Maximum cutting depth	3-46 mm, (1/8"-1-13/16") (ϕ 135mm blade) ※ 45° angle cutting . . . 30mm, (1-3 / 16")
Dimensions (L x W x H)	350 x 198 x 181 mm (13-25 / 32" x 7-51 / 64" x 7-1 / 8")
Weight (with battery pack)	3.05 kg (6.7 lbs)

Battery Pack (EY9230)

Storage Battery	Ni-MH Battery
Voltage	15.6 V DC (1.2 V x 13 cells)

Battery Charger (EY0230)

Charging time	Applicable Battery Pack				Standard charging time
	15.6V	12V	9.6V	7.2V	
	—	EY9001 EY9006	EY9080 EY9086	EY9085	Approx. 20 min.
	—	EY9101	EY9180 EY9182	—	Approx. 25 min.
	EY9136	EY9108 EY9107 EY9108	—	—	Approx. 30 min.
EY9230	EY9200	—	—	Approx. 45 min.	
Weight	0.78 kg (1.7 lbs.)				

**30-DAY QUALITY
SATISFACTION GUARANTEE:**

If you are dissatisfied with any Panasonic Cordless Power Tool for any reason, simply return it to the place of purchase with a dated proof of purchase, in the original packaging, with all accessories, parts and instructions, within 30 days of the date of purchase, for a full refund, or call Panasonic at 201-392-6655. Abuse or misapplication of any power tool voids the guarantee.

PANASONIC HOME & COMMERCIAL PRODUCTS COMPANY

One Panasonic Way, Secaucus, New Jersey 07094

Free Manuals Download Website

<http://myh66.com>

<http://usermanuals.us>

<http://www.somanuals.com>

<http://www.4manuals.cc>

<http://www.manual-lib.com>

<http://www.404manual.com>

<http://www.luxmanual.com>

<http://aubethermostatmanual.com>

Golf course search by state

<http://golfingnear.com>

Email search by domain

<http://emailbydomain.com>

Auto manuals search

<http://auto.somanuals.com>

TV manuals search

<http://tv.somanuals.com>