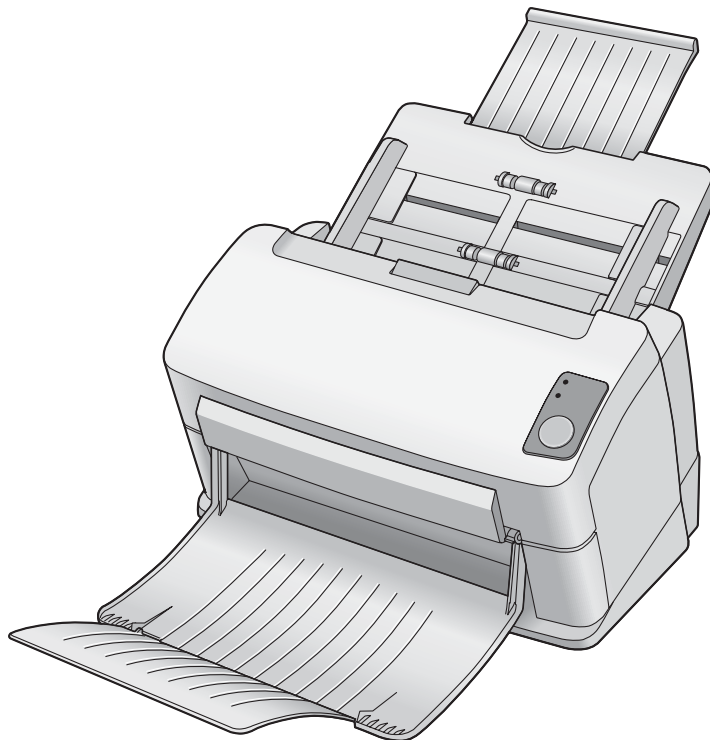


# Panasonic®

## Operating Instructions

### High Speed Color Scanner

Model No. **KV-S1025C**  
**KV-S1020C**



**These instructions contain information on operating the scanner. Before reading these instructions, please read the Installation Guide enclosed with this unit.**

Keep the CD-ROM in the protective case. Do not expose the CD-ROM to direct sunlight or extreme heat, and do not scratch or smudge the surface of the CD-ROM.

## Thank you for purchasing a Panasonic High Speed Color Scanner.

- Panasonic supports your imaging needs with a reliable and easy to use document scanner.
- Panasonic has developed Panasonic Image Enhancement Technology to improve the quality of your scanned images even beyond the quality of your original document.

### Illegal Duplication

#### It is unlawful to make duplication of certain documents.

Duplicating certain documents may be illegal in your country.

Penalties of fines and/or imprisonment may be imposed on those found guilty. The following are examples of items that may be illegal to duplicate in your country.

- Currency
- Bank notes and checks
- Bank and government bonds, and securities
- Passports, licenses, official or private documents, identification cards, and the like
- Copyright materials, or trademarks without the consent of the owner
- Postage stamps, and other negotiable instruments

This list is not inclusive, and no liability is assumed for either its completeness or accuracy. In case of doubt, contact your legal counsel.

#### Notice:

Install your machine near a supervised area to prevent illegal duplication from being made.



As an ENERGY STAR® Partner, Panasonic has determined that this product meets the ENERGY STAR guidelines for energy efficiency.

- Microsoft and Windows are either registered trademarks or trademarks of Microsoft Corporation in the United States and/or other countries.
- IBM and AT are trademarks of International Business Machines Corporation in the United States, other countries, or both.
- ISIS, MultiStream, and QuickScan Pro are registered trademarks or trademarks of EMC Corporation.
- Adobe and Reader are registered trademarks of Adobe Systems Incorporated in the United States and/or other countries.
- Pentium is a trademark or registered trademark of Intel Corporation or its subsidiaries in the United States and other countries.
- Each company's name or company product name is each company's trademark or registered trademark.

Screen shot(s) reprinted with permission from Microsoft Corporation.

The information given in these Operating Instructions is subject to change without notice.

# Table of Contents

Page

## Before You Start

Notice .....	4
<b>For Your Safety</b> .....	<b>5</b>
<b>Component Identification</b> .....	<b>9</b>
<b>Setting up the Scanner</b> .....	<b>10</b>
• Setting and removing the feed tray .....	10
• Setting the exit tray .....	11
• Power turn-on sequence .....	12
• About LED .....	12
<b>Installing Software</b> .....	<b>13</b>
• System requirements .....	13
• CD-ROM Contents .....	13
• Complete installation .....	14
• All Drivers & Utilities installation .....	14
• Custom installation .....	15
• Application installation .....	16
• Viewing manuals from the Drivers&Utilities CD-ROM .....	16
• Viewing manuals installed on your computer .....	17

## Operation

<b>Starting the Scanner Applications Automatically</b> .....	<b>18</b>
• Setting the event .....	18
<b>Document Specifications</b> .....	<b>20</b>
• Acceptable documents .....	20
• Acceptable cards .....	20
• Unacceptable documents .....	20
<b>Loading Documents</b> .....	<b>21</b>
• When scanning multiple sheets .....	21

## Care and Maintenance

<b>Clearing Paper Jams</b> .....	<b>23</b>
• Removing paper jams from the feeding section .....	23
<b>Mixed Batch Card Guide</b> .....	<b>25</b>
• Installing the mixed batch card guide .....	25
• Using the mixed batch card guide .....	25
<b>Cleaning the Unit</b> .....	<b>26</b>
• Outside of the scanner .....	26
• Inside of the scanner .....	26
• Optional Roller Cleaning Paper (KV-SS03) .....	26
• Cleaning the rollers .....	27
• Cleaning the scanning glass section and reference area .....	30
<b>Replacing Consumables</b> .....	<b>31</b>
• Replacing the double-feed prevention roller .....	31
• Replacing the paper feed roller .....	34

## Appendix

<b>Removing the Stand</b> .....	<b>37</b>
• Removing the stand .....	37
<b>Repacking Instructions</b> .....	<b>38</b>
<b>Specifications</b> .....	<b>39</b>
<b>Troubleshooting</b> .....	<b>41</b>
<b>Index</b> .....	<b>43</b>

## Federal Communications Commission Requirements (For United States only)

This equipment has been tested and found to comply with the limits for a Class B digital device, pursuant to Part 15 of the FCC Rules. These limits are designed to provide reasonable protection against harmful interference in a residential installation. This equipment generates, uses, and can radiate radio frequency energy and, if not installed and used in accordance with the instructions, may cause harmful interference to radio communications.

However, there is no guarantee that interference will not occur in a particular installation. If this equipment does cause harmful interference to radio or television reception, which can be determined by turning the equipment off and on, the user is encouraged to try to correct the interference by one or more of the following measures:

- Reorient or relocate the receiving antenna.
- Increase the separation between the equipment and receiver.
- Connect the equipment into an outlet on a circuit different from that to which the receiver is connected.
- Consult the dealer or an experienced radio/TV technician for help.
- The user may find the booklet "Something About Interference" available from FCC local regional offices helpful.

**FCC Warning:** To assure continued FCC emission limit compliance, the user must use the recommended shielded interfacing cable when connecting to a host computer. Also, any unauthorized changes or modifications to this equipment would void the user's authority to operate this device.

### FCC Declaration of Conformity

Trade Name: Panasonic  
Model Number: KV-S1025C or KV-S1020C  
Responsible Party: Panasonic Corporation of North America  
One Panasonic Way  
Secaucus, NJ 07094 U.S.A.  
Telephone No.: 1-800-726-2797



This device complies with Part 15 of the FCC Rules.

Operation is subject to the following two conditions:

- (1) This device may not cause harmful interference, and
- (2) this device must accept any interference received, including interference that may cause undesired operation.

## For your safety please read the following text carefully. (For United Kingdom only)

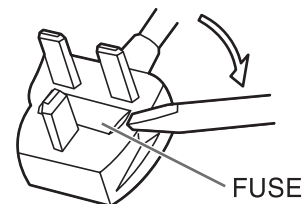
This appliance is supplied with a moulded three pin mains plug for your safety and convenience.

A 5 amp. fuse is fitted in this plug. Should the fuse need to be replaced, ensure that the replacement fuse has a rating of 5 amps. and that it is approved by ASTA or BSI to BS1362. Check for the ASTA mark  or the BSI mark  on the body of the fuse.

And you must refit the fuse cover when the fuse is replaced. If you lose the fuse cover, the plug must not be use.

### How to replace the fuse:









Open the fuse compartment with a screwdriver and replace the fuse.



# For Your Safety

To prevent severe injury and loss of life, read this section carefully before using the unit to ensure proper and safe operation of your unit.

■ This section explains the graphic symbols used in this manual

 <b>WARNING</b>	Denotes a potential hazard that could result in serious injury or death.
 <b>CAUTION</b>	Denotes hazards that could result in minor injury or damage to the unit.
  	These symbols are used to alert operators to a specific operating procedure that must not be performed.
 	These symbols are used to alert operators to a specific operating procedure that must be emphasized in order to operate the machine safely.
 <b>WARNING</b>	

## Power



The power source voltage of this unit is listed on the nameplate. Only plug the unit into an AC outlet with the proper voltage. If you use a cord with an unspecified current rating, the unit or plug may emit smoke or become hot to the touch.



When you operate this product, the power outlet should be near the product and easily accessible.



Connect the AC adaptor firmly to the power cord, and plug the power cord firmly into an AC outlet. Otherwise, it can cause fire or electric shock.



Do not pull, bend, rest objects on, or chafe the power cord, plug, and AC adaptor. Damage to the power cord or plug can cause fire or electric shock.



Do not attempt to repair the power cord, plug, or AC adaptor. If the power cord or plug is damaged or frayed, contact an authorized service representative for a replacement.



Ensure that the plug connection is free of dust. In a damp environment, a contaminated connector can draw a significant amount of current that can generate heat, and eventually cause fire if left unattended over an extended period of time.

## For Your Safety

---



Never touch the plug or AC adaptor with wet hands. Danger of electric shock exists.



Stop operation immediately if the unit emits smoke, excessive heat, abnormal smell, or unusual noise. These conditions can cause fire or electric shock. Immediately turn the unit off, and unplug the power cord, and contact your dealer for service.



When disconnecting the unit, grasp the plug instead of the cord. Pulling on a cord forcibly can damage it, and cause fire or electric shock.

## Operation Safeguards



If metal fragments or water gets into the unit, turn the unit off, and unplug the unit immediately. Contact your dealer for service. Operating the contaminated unit can cause fire or electric shock.



Do not open covers, and do not attempt to repair the unit yourself. Contact your dealer for service.



Do not alter the unit or modify any parts. Alteration or modification can cause fire or electric shock.



During thunderstorms, do not touch the unit, plug and AC adaptor. It may cause an electric shock.

 **CAUTION**

## Power



The unit should be used only with the power cord and AC adaptor enclosed with the unit.



When the unit is not used over an extended period of time, switch it off, and unplug it. If an unused unit is left connected to a power source for a long period, degraded insulation may cause electric shock, current leakage, or fire.

## Installation Relocation



Do not position the unit in a location where it is unstable.



To prevent fire or shock hazard, do not expose this unit to rain or any type of moisture.



Do not place the unit in a hot humid or dusty environment. Prolonged exposure to these adverse conditions may cause fire or electric shock.



When moving the unit, be sure to unplug the power cord from the AC outlet. If the unit is moved with the power cord attached, it can cause damage to the cord which could result in fire or electric shock.

## Operating Safeguards

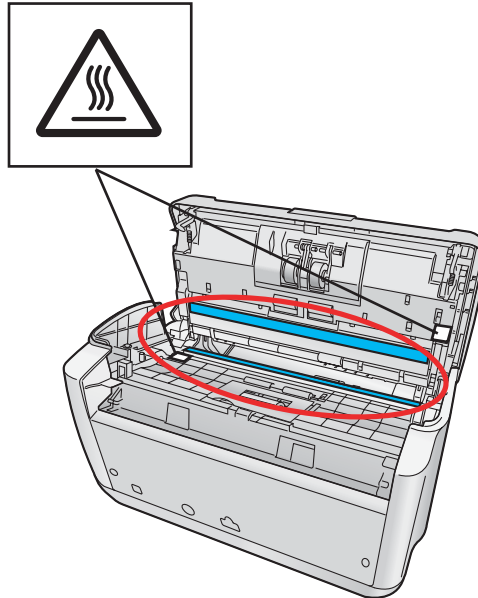




If the unit falls down or gets damaged, turn the unit off, and unplug the power cord. Otherwise, it may cause fire or electric shock.



Do not place any liquids near the unit. Accidental spillage of liquid into the unit may cause severe damage. If this occurs, turn the unit off, unplug the power cord, and contact your dealer for service.

## Caution Labels



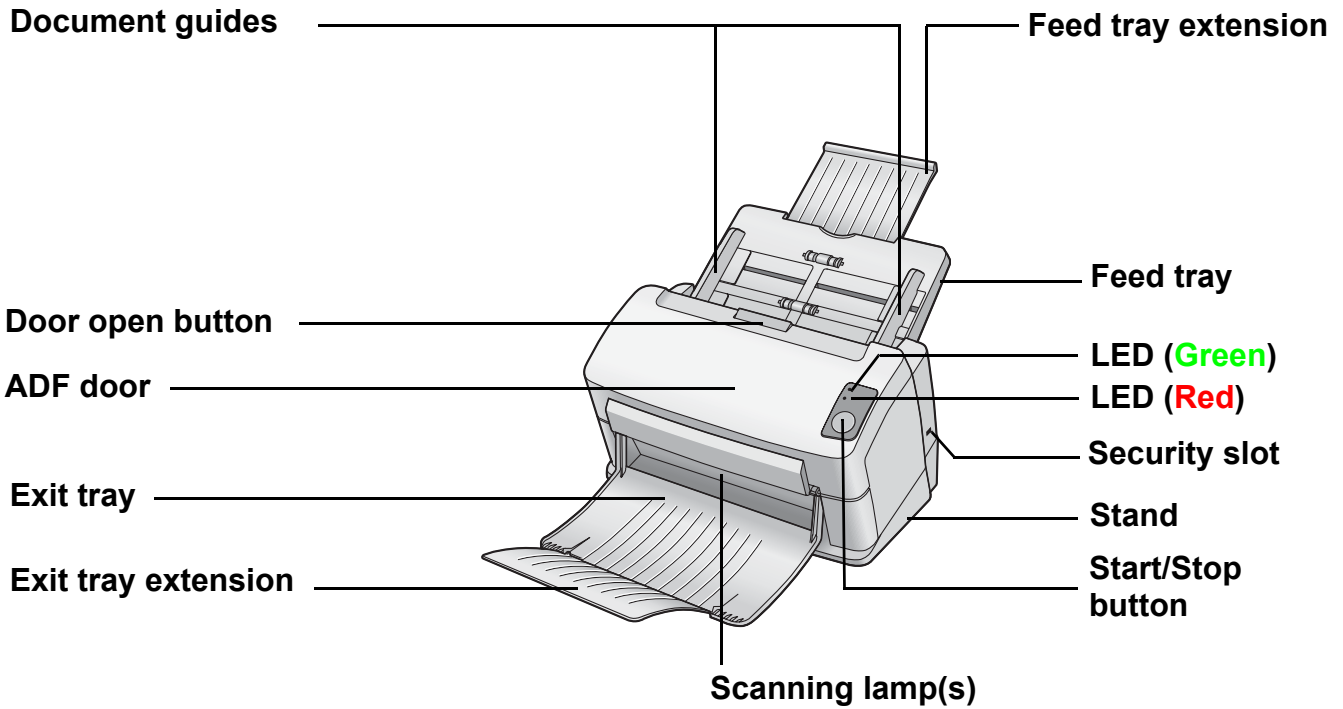
 <b>CAUTION</b>	
	<p><b>HOT SURFACE DO NOT TOUCH.</b></p> <p>The glass in the scanning section become very hot. Exercise care not to touch heated areas, or you may get burned.</p>

## Precautions

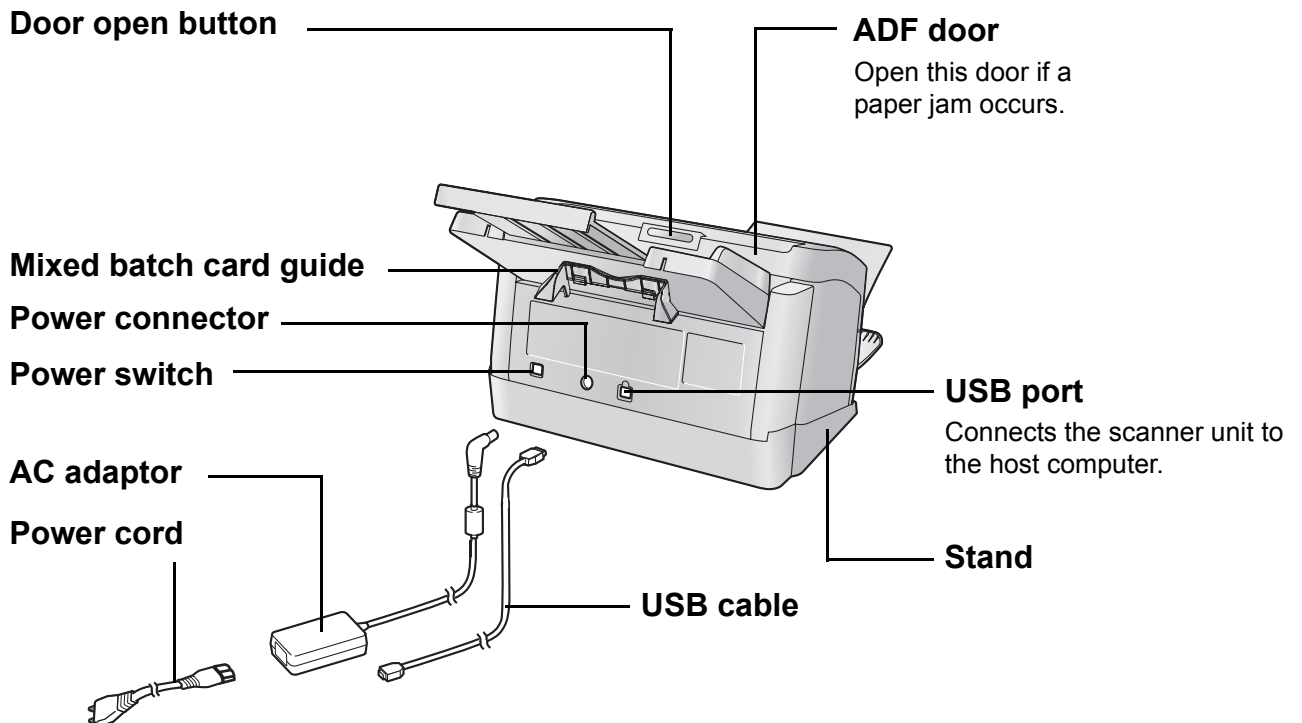
- Do not place the scanner in direct sunlight, in a cold draft, or near heating apparatus.
- Do not place the scanner near apparatus which generate electronic or magnetic noise.
- Protect the scanner from static electricity.
- Do not move the scanner immediately from a cold place to a warm place. It may cause dew.
- Handle a CD-ROM carefully.
- Prevent a CD-ROM from damage, and keep clean.



# Component Identification



The scanning lamp(s) periodically lights up in sleep mode. This is not an unusual event. For details on sleep mode, refer to the User Utility Reference Manual.

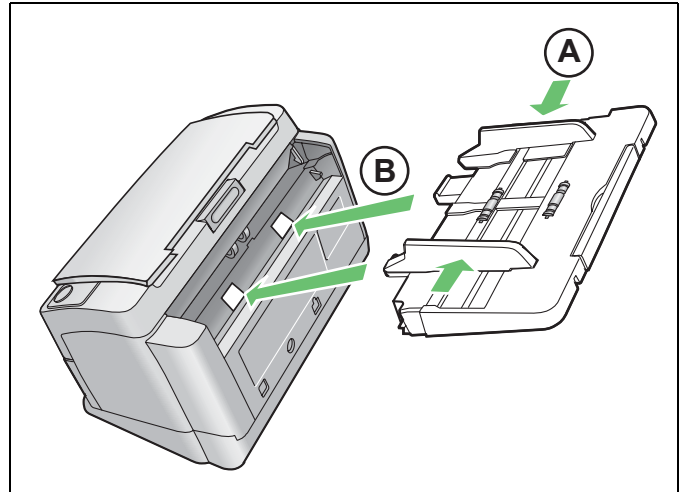


# Setting up the Scanner

## ■ Setting and removing the feed tray

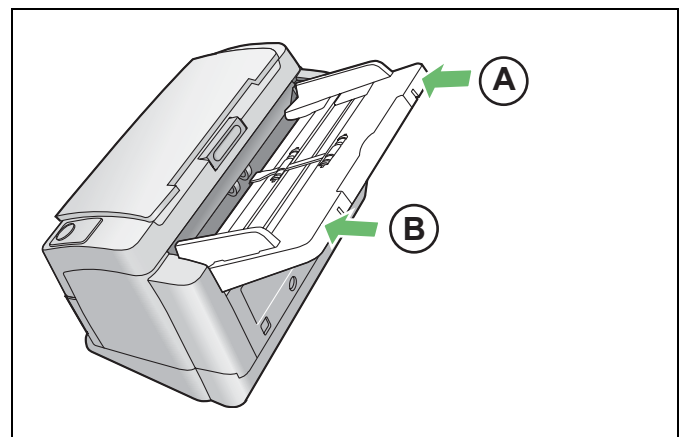
Before using the scanner, follow the steps below to set the feed tray.

- 1** Adjust the document guides to the width of A5 paper ( **(A)** ), and insert the feed tray into the scanner ( **(B)** ) as shown in the illustration.

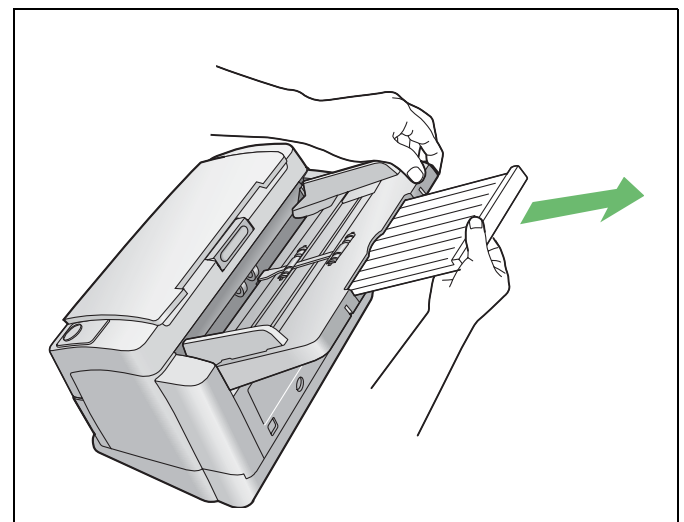


- 2** Push the right ( **(A)** ) and left ( **(B)** ) sides of the feed tray in that order until the feed tray locks in place.

When removing the feed tray, lift it up to unlock, and then pull the left ( **(B)** ) and right ( **(A)** ) sides out of the scanner in that order.



- 3** Pull out the feed tray extension in the direction of the arrow shown in the illustration.



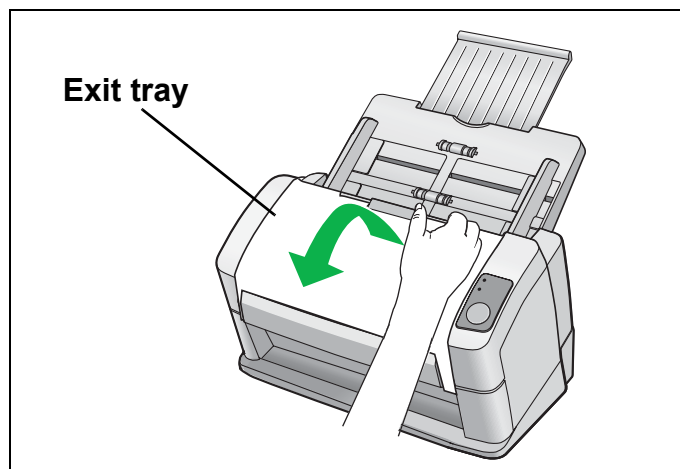
### ■ Setting the exit tray

The exit tray prevents documents from dropping after they are scanned. Follow the steps below to set the exit tray.

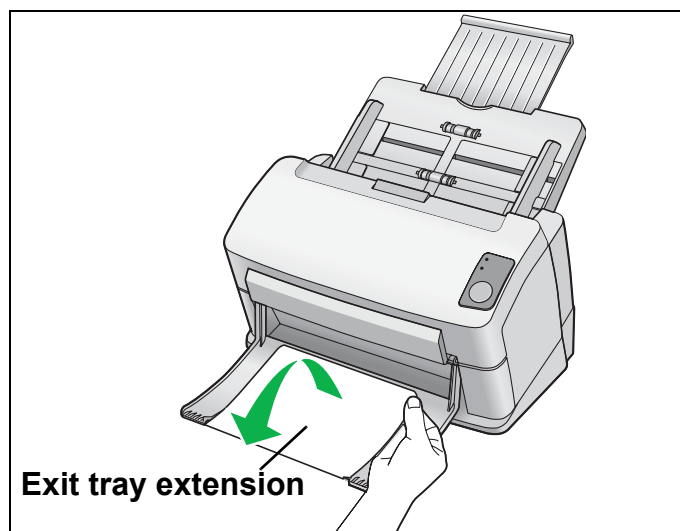
**Note:**

- Documents can be fed through the scanner even if the exit tray is closed.

**1** Open the exit tray.

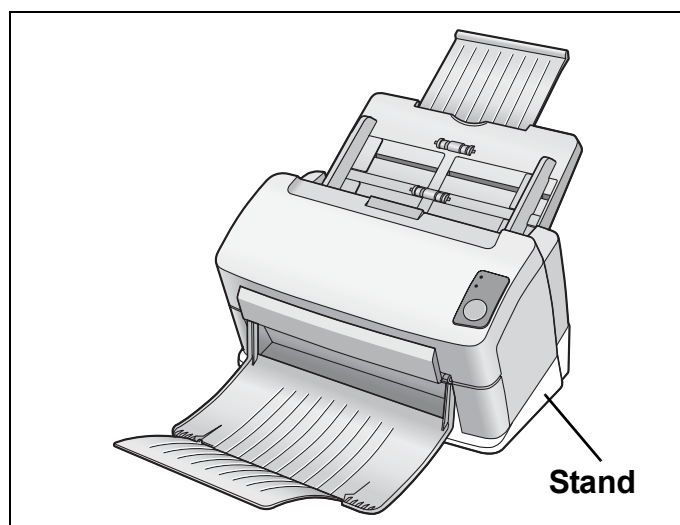


**2** Open the exit tray extension.



**Note:**

- The stand can be easily removed if so desired. For removing the stand, see [page 37](#).



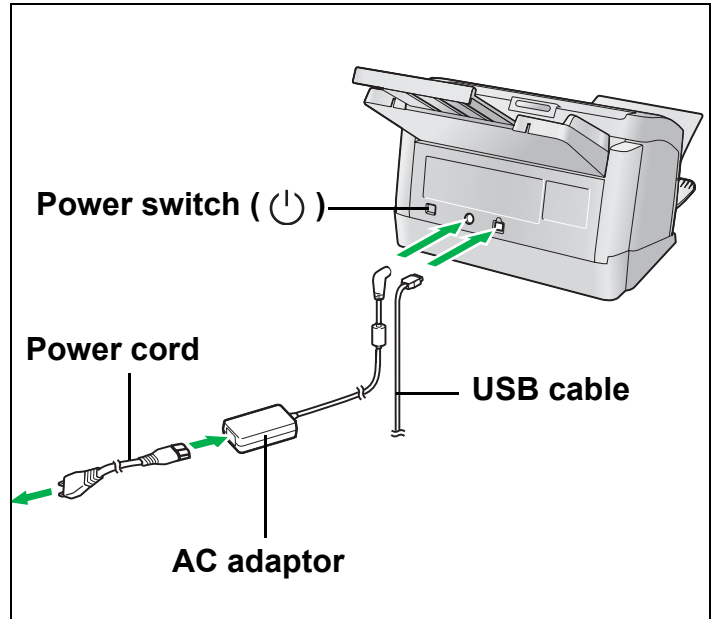
# Setting up the Scanner

## ■ Power turn-on sequence

- 1** Turn on the power of the scanner.
- Connect the power cord to the AC adaptor.
  - Connect the AC adaptor to the scanner.
  - Plug into an AC outlet.
  - Push the power switch.
  - The LED (Green) will blink for about 30 seconds and then it will become steady.

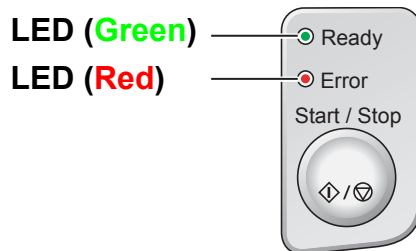
**Note:**

- Install the software first.



## ■ About LED

The status of the scanner can be established by the condition of the two LED indicators shown in the table below:



LED (Green)	LED (Red)	Status
ON	OFF	Ready
Blink (Slow)	OFF	Sleep <sup>*1</sup>
ON	Blink (Slow)	Warning
Blink (Slow)	Blink (Slow)	Warning/Sleep
ON	ON	Error
Blink (Fast)	OFF	Warming up <sup>*2</sup>

<sup>\*1</sup> The scanning lamp(s) periodically lights up in sleep mode. This is not an unusual event. For details on sleep mode, refer to the User Utility Reference Manual.

<sup>\*2</sup> It will take about 30 seconds to initialize the scanner.

# Installing Software

## ■ System requirements

<b>Computer</b>	IBM® PC/AT® or compatible machine with a CD-ROM drive
<b>CPU</b>	Pentium III, 1GHz or higher
<b>Interface</b>	USB 2.0
<b>OS</b>	Windows 2000* <sup>1</sup> , Windows XP* <sup>2</sup>
<b>Memory</b>	256 MB or higher
<b>HDD</b>	At least 200 MB free space (except for data file)

\*<sup>1</sup> Microsoft® Windows® 2000 operating system (hereafter Windows 2000)

\*<sup>2</sup> Microsoft® Windows® XP operating system (hereafter Windows XP)

## ■ CD-ROM Contents

Contents	
<b>Drivers</b>	Device Driver
	TWAIN
	ISIS
<b>Applications</b>	RTIV
	QuickScan Pro™ Demo
<b>Utilities</b>	MCD (Multi-Color Dropout) Utility
	User Utility
<b>Manuals</b>	PIE Reference Manual
	RTIV Reference Manual
	Operating Instructions
	User Utility Reference Manual
	Installation Guide
<b>Others</b>	Control Sheet
	Warranty Information (U.S.A. Only)

- RTIV (Reliable Throughput Imaging Viewer) is a Panasonic original application software, and does not require either TWAIN driver nor ISIS driver.
- PIE is an acronym for Panasonic Image Enhancement Technology.
- To view manuals, Adobe® Reader® must be installed.
- If the CD-ROM does not automatically start, please run “CDRun.exe” on the CD-ROM.
- There are some restrictions for QuickScan Pro due to being a trial version.
- When using QuickScan Pro, the ISIS driver is required.
- For details on how to use the MCD (Multi-Color Dropout) Utility, refer to the PIE Reference Manual and the RTIV Reference Manual.
- The control sheets are stored as PDF files on the “Drivers&Utilities” in the CD-ROM provided with the scanner. For use them, print the control sheets in the same size as the document pages to be scanned.

**Make sure to login to Windows 2000 / Windows XP as an administrator.**

## Installing Software

---

### ■ Complete installation

All drivers, applications, utilities, and manuals can be installed at the same time using the Complete installation.

- 1** Turn off the power of the scanner.
- 2** Insert the CD-ROM into your CD/DVD drive on your computer.
- 3** If you have a feature called 'Autorun' activated, this will start the installation process automatically.

**Note:**

- If the program does not automatically start, click [Start], click [Run...], click [Browse...], and select the CD/DVD drive containing the installation software, double-click on "CDRun.exe" in the root directory to manually start the installation routine, then click [OK].

- 4** Select your scanner.
- 5** Select the [Complete] from the [Installation] list.
- 6** Follow the instructions on the screen.
- 7** Turn on the power of the scanner.
- 8** Follow the instructions of the hardware wizard to complete the installation.

Even if the screen 'Digital Signature was not found for this driver', or 'has not passed Windows Logo testing...' appears, continue with the installation.

### ■ All Drivers & Utilities installation

All drivers, utilities, and manuals can be installed at the same time using the All Drivers & Utilities installation.

- 1** Turn off the power of the scanner.
- 2** Insert the CD-ROM into your CD/DVD drive on your computer.
- 3** If you have a feature called 'Autorun' activated, this will start the installation process automatically.

**Note:**

- If the program does not automatically start, click [Start], click [Run...], click [Browse...], and select the CD/DVD drive containing the installation software, double-click on “CDRun.exe” in the root directory to manually start the installation routine, then click [OK].

- 4** Select your scanner.
- 5** Select the [All Drivers & Utilities] from the [Installation] list.
- 6** Follow the instructions on the screen.
- 7** Turn on the power of the scanner.
- 8** Follow the instructions of the hardware wizard to complete the installation.

### ■ Custom installation

Each driver, utility, and manual can be installed using the Custom installation selection, as required.

- 1** Turn off the power of the scanner (only when installing Device Driver).
- 2** Insert the CD-ROM into your CD/DVD drive on your computer.
- 3** If you have a feature called 'Autorun' activated, this will start the installation process automatically

**Note:**

- If the program does not automatically start, click [Start], click [Run...], click [Browse...], and select the CD/DVD drive containing the installation software, double-click on “CDRun.exe” in the root directory to manually start the installation routine, then click [OK].

- 4** Select your scanner.
- 5** Select the [Custom] from the [Installation] list.
- 6** Select a driver, an utility, or a manual.
- 7** Follow the instructions on the screen.

## Installing Software

---

### ■ Application installation

RTIV and/or QuickScan Pro Demo can be installed as follows.

- 1** Insert the CD-ROM into your CD/DVD drive on your computer.
- 2** If you have a feature called 'Autorun' activated, this will start the installation process automatically.

**Note:**

- If the program does not automatically start, click [Start], click [Run...], click [Browse...], and select the CD/DVD drive containing the installation software, double-click on "CDRun.exe" in the root directory to manually start the installation routine, then click [OK].

- 3** Select your scanner.
- 4** Select the [RTIV] or the [Quick Scan Pro Demo] from the [Installation] list.
- 5** Follow the instructions on the screen.

### ■ Viewing manuals from the Drivers&Utilities CD-ROM

All manuals on the CD-ROM can be viewed using the Adobe Reader.

- 1** Insert the CD-ROM into your CD/DVD drive on your computer.
- 2** If you have a feature called 'Autorun' activated, this will start the installation process automatically.

**Note:**

- If the program does not automatically start, click [Start], click [Run...], click [Browse...], and select the CD/DVD drive containing the installation software, double-click on "CDRun.exe" in the root directory to manually start the installation routine, then click [OK].

- 3** Select your scanner.
- 4** Select a manual from the list.



### ■ Viewing manuals installed on your computer

All manuals installed on your computer can be viewed as follows.

**1** Click [Start], and then click [All Programs] - [Panasonic] - [Scanner Manuals].

- For Windows 2000, click [Program] instead of [All Programs].

**Note:**

- To install manuals on your computer, see [page 15](#).

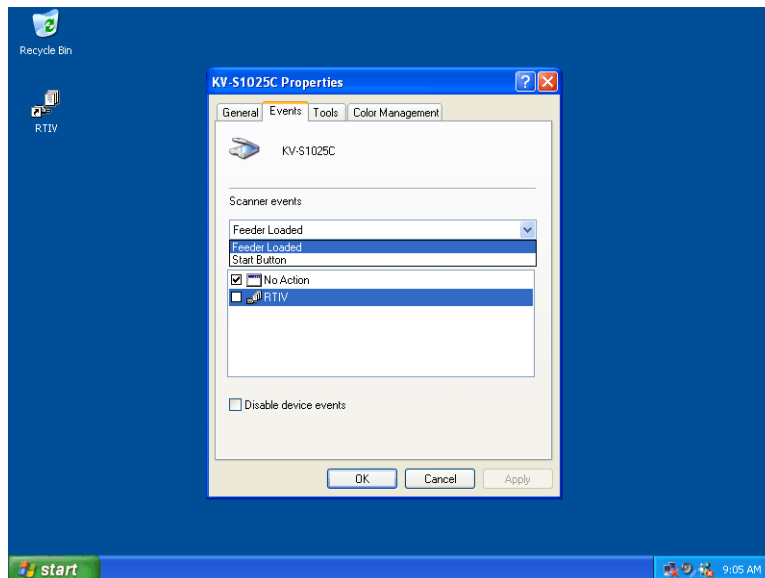
**2** Select the desired manual.

# Starting the Scanner Applications Automatically

The scanner application can be configured to start automatically when pressing the Start/Stop button, and/or placing documents on the feed tray. To accomplish this, follow the steps below.

## ■ Setting the event

- 1** Click [Start], and then click [Control Panel] - [Printers and Other Hardware].
  - For Windows 2000, click [Start], and then click [Setting] - [Control Panel].
- 2** Select your scanner in the [Scanners and Cameras], and then display the scanner property dialog box by right clicking on the scanner icon.
  - For Windows 2000, select your scanner in the [Scanners and Cameras Properties], and then display the scanner property dialog box by clicking [Properties] button.
- 3** Click the [Events] tab.
- 4** Select an event in the [Scanner events] list. The selected event activates a scanner application.

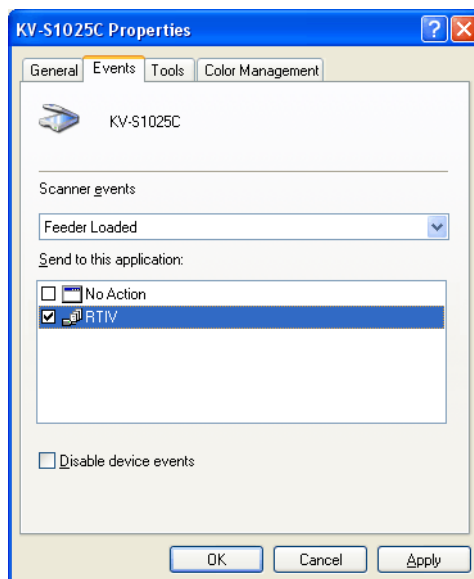


The following events can be selected.

Feeder Loaded	An event occurs when placing documents on the feed tray.
Start Button *	An event occurs when pressing the Start/Stop button of the scanner.

\* If the unit goes into sleep mode, you must press the Start button twice.

- 5 Select the check box of the desired scanner application(s) corresponding to the selected event in the [Send to this application] list.

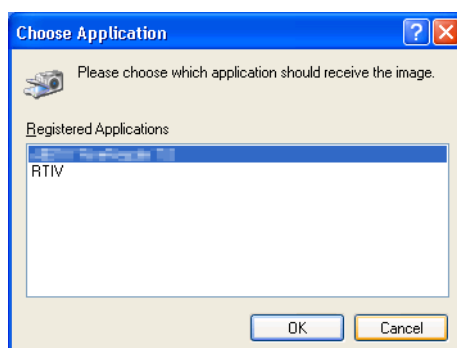


- To disable the automatic activation of the scanner applications, set the [Disable device events] check box to on.

- 6 Click [OK].

**Note:**

- When multiple applications are selected in the [Send to this application] list, the [Choose Application] dialog box will display, prompting you to select an application in the [Registered Applications] list. After an application has been selected, it starts. If only one application is selected, that application will be launched automatically.  
For Windows 2000, the [Event on device: KV-S1025C] dialog box will display instead of the [Choose Application] dialog box.

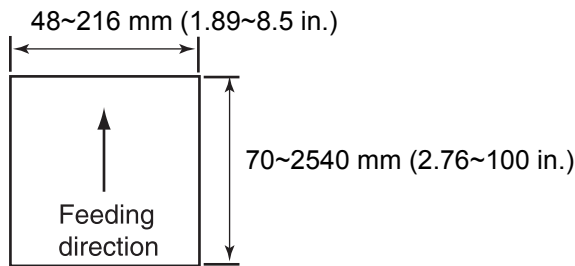


- 7 Restart your computer.

# Document Specifications

## Acceptable documents

### Document size:



Paper thickness: 40~209 g/m<sup>2</sup> (11~55 lb.)

The height of all the documents on the tray should be less than 5 mm (0.2 in.). This compares to 50 sheets (80 g/m<sup>2</sup> or 20 lb.) of new paper.

With the exception of ISO Magnetic Stripe cards, the minimum guaranteed feeding length is 70 mm (2.76 in.). Single paper feeding is recommended for papers exceeding the legal size length.

Recommended paper: Plain paper

## Acceptable cards

### ISO Magnetic Stripe card:

Size: 85.6 x 54.0 mm (3.37 x 2.13 in.)

Thickness: 0.76 mm (0.03 in.)

Embossed card is also acceptable.

A maximum of 3 cards can be loaded on the feed tray. The height of the total cards (the total thickness including the embossing on each card) should be less than 5 mm (0.2 in.). Additionally, the embossing on each card must not get entangled with others.

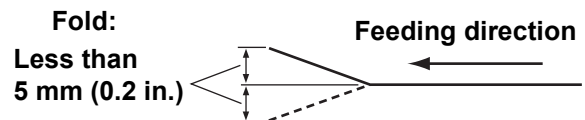
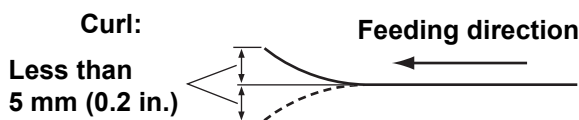
Use the landscape orientation when scanning an embossed card. If the scanning fails, place the card upside down, and then try again.

Use the mixed batch card guide (See [page 25](#)) when scanning mixed media (cards and papers) at the same time.

## Unacceptable documents

### The following types of documents may not scan properly:

- Damaged or notched document
- Irregular document thickness, such as envelopes
- Curled, wrinkled, or folded documents



- Perforated or punched documents
- Not rectangular or irregularly shaped documents like documents with tags
- Thermal or photosensitive paper
- Extremely smooth, shiny paper, or paper that is highly textured
- Paper with carbon
- Carbonless paper
- Creased or ripped paper
- Coated paper
- Light penetrating documents such as OHP sheet and tracing paper

When documents cannot be scanned properly, try to change the resolution or the number of documents scanned.

### The following types of documents **must** be avoided:

- Documents out of specified size, thickness, and weight
- Documents containing hard attachments such as metal or plastic (ex. Clips or staples)
- Bound or glued documents
- Document with wet ink or cinnabar seal ink
- Cloths and plastic films

# Loading Documents

## ■ When scanning multiple sheets

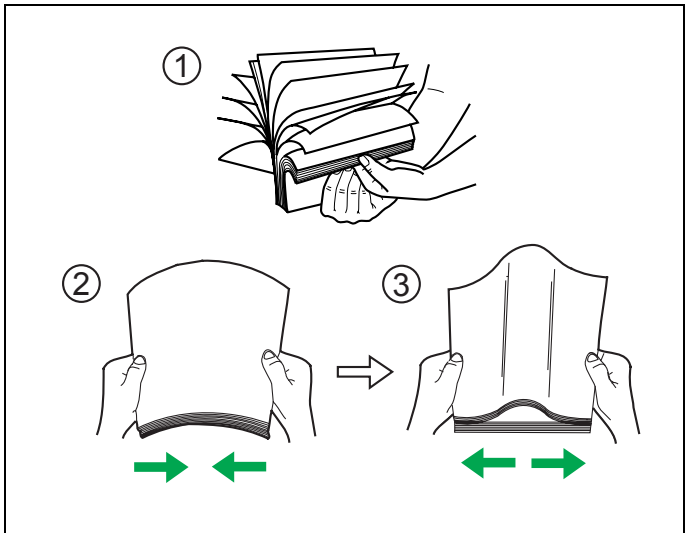
- Remove any staples from the document before scanning.
- Curled documents may cause a paper jam or damaging the document, therefore, set the document flat before scanning.
- When scanning very important documents, confirm that the number of scanned images matches the number of actual pages.

**1** Documents that have been stapled together or stacked together (as in a file folder) will need to be separated.

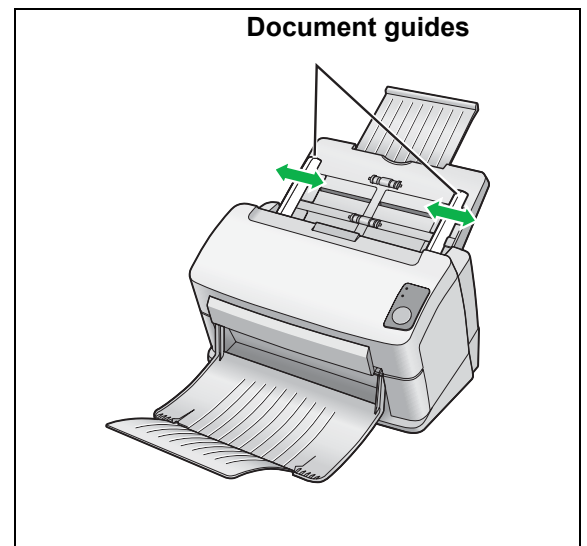
- (1) Fan the stack of documents to separate all the edges.
- (2) Hold both ends, and bend the documents as shown in the illustration.
- (3) To flatten the documents, hold firmly, and pull them apart as shown in the illustration.

Repeat these steps as necessary.

**Prior to scanning, remove all staples and paper clips.**



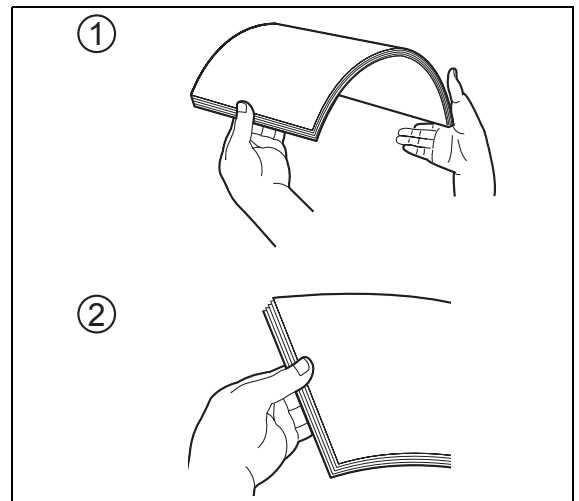
**2** Adjust the document guides to slightly wider than the actual documents.



## Loading Documents

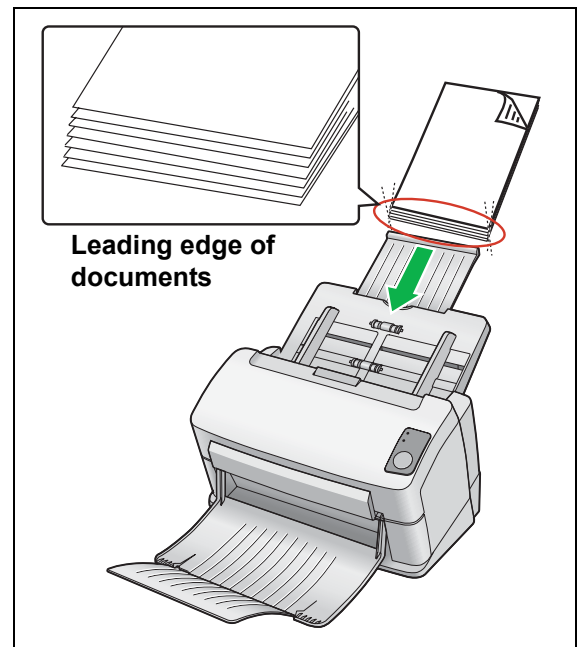
### 3 Carefully align the documents.

- The documents feed better when the leading edges are aligned slantwise as shown in the illustration.

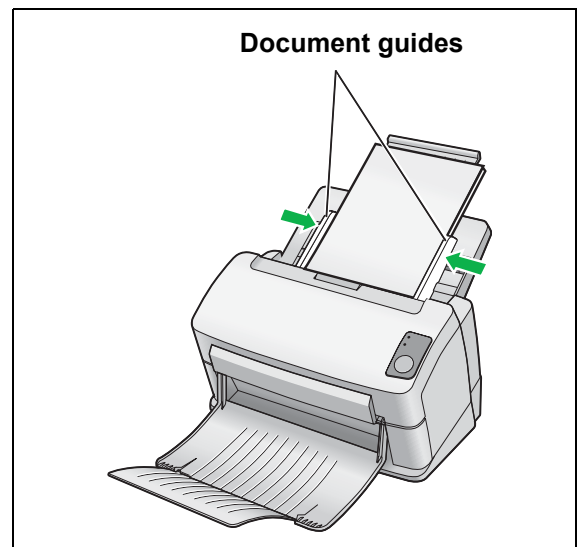


### 4 Place the documents on the feed tray with the side to be scanned facing down.

- Place the documents as shown in the illustration.
- The height of all the documents on the tray should be less than 5 mm (0.2 in.). This may cause paper jams or skewing.



### 5 Adjust the document guides to the size of the documents to be scanned.



# Clearing Paper Jams

If a paper jam occurs, "A paper jam has occurred" message with an error code (Uxx) is displayed on the screen of the User Utility. Remove the jammed sheet according to the following instructions.

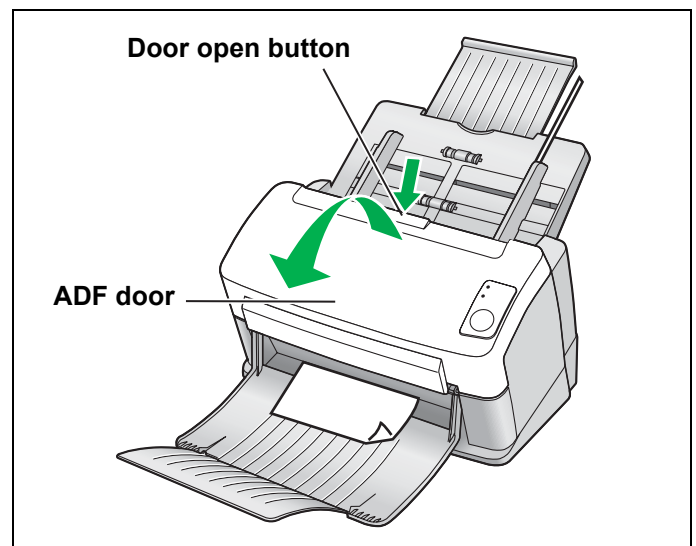


## CAUTION

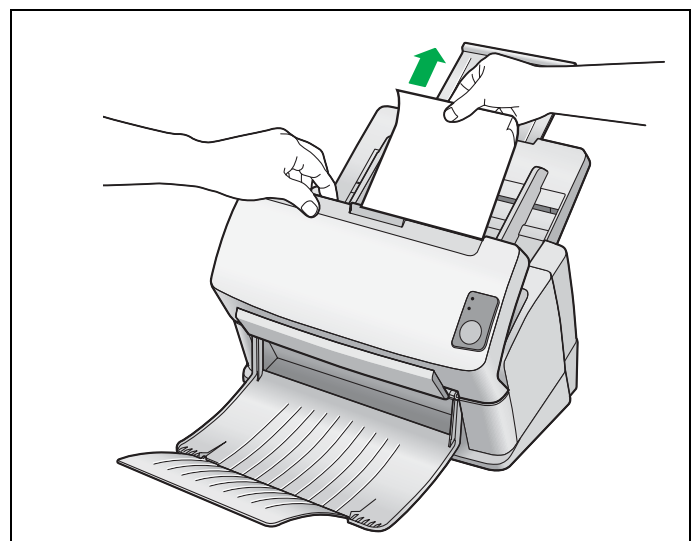
The scanning glass section may be very hot.  
When the glasses are hot, don't touch around them.  
Wait until the target glasses cool down before removing paper.

### ■ Removing paper jams from the feeding section

- 1** Remove all documents from the feed tray.
- 2** Press the door open button, and open the ADF door.

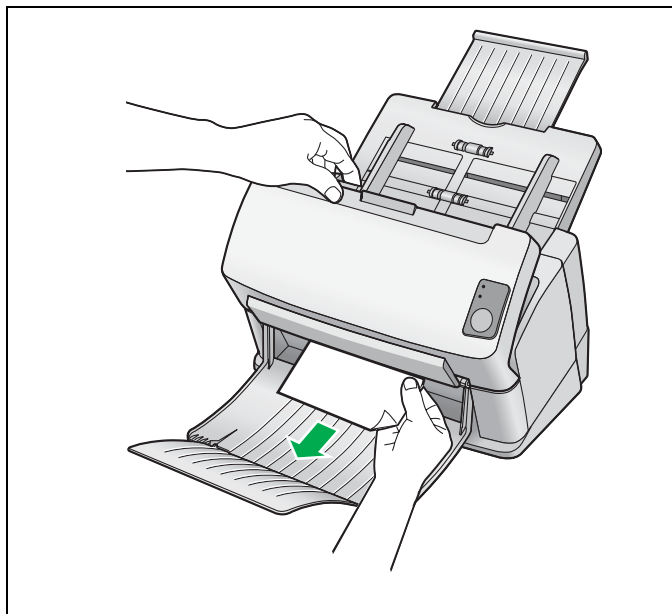


- 3** Remove the jammed document.
  - If the document jammed in the feed tray area, pull it backwards as shown in the illustration.



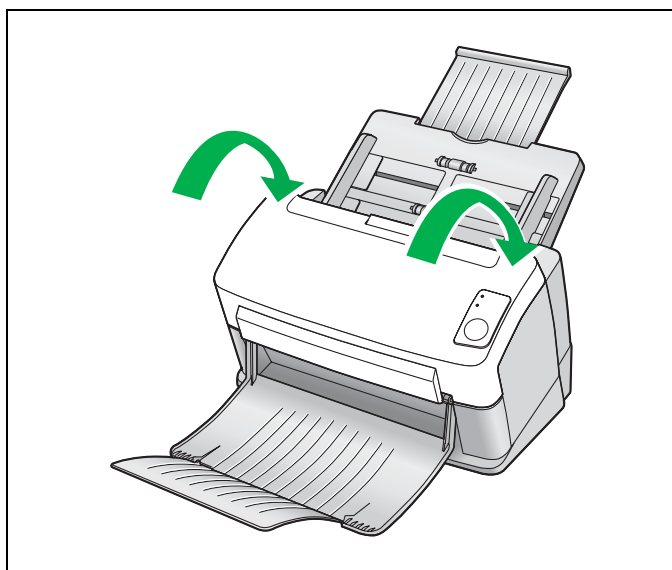
## Clearing Paper Jams

- If the document jammed in the exit area, pull it forward as shown in the illustration.



### 4 Close the ADF door.

- Push down on both sides of the ADF door gently until it clicks into place.



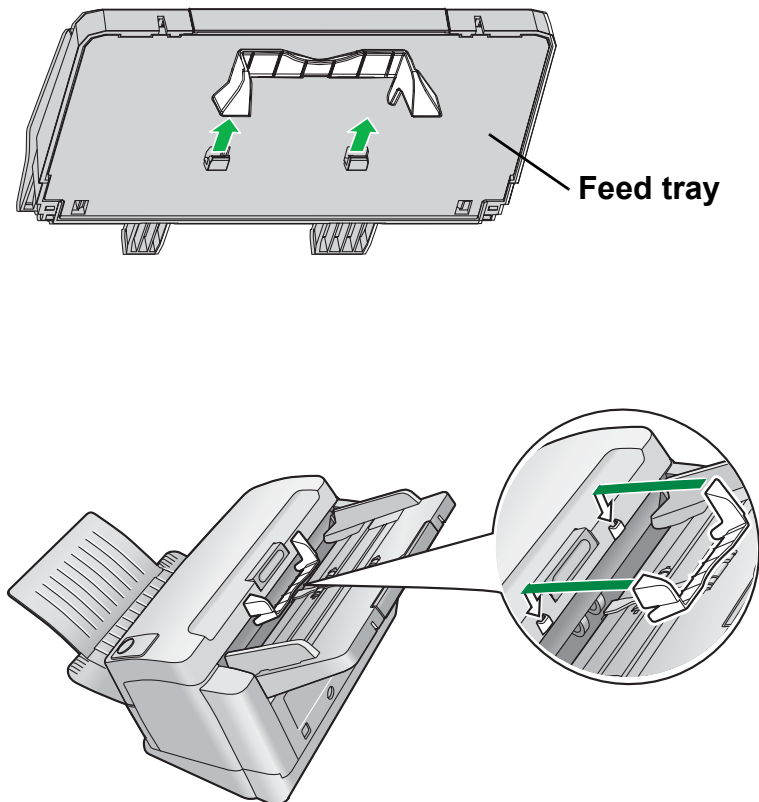


# Mixed Batch Card Guide

No adjustment to the document guide is required when using the mixed batch card guide. This mixed batch card guide prevents a card from skewing when scanning mixed paper documents and a card simultaneously.

## ■ Installing the mixed batch card guide

Install the mixed batch card guide as shown in the following illustration.



## ■ Using the mixed batch card guide

Set paper documents on the feed tray, and a card on the mixed batch card guide respectively.

- The card set on the mixed batch card guide is fed after completing the paper document scanning.
- The mixed batch card guide is suitable for the following card.

### ISO format card:

Size: 85.6 x 54.0 mm (3.37 x 2.13 in.)

Thickness: 0.76 mm (0.03 in.)

Embossed card is also available.

- Set the card horizontally.

### Notes:

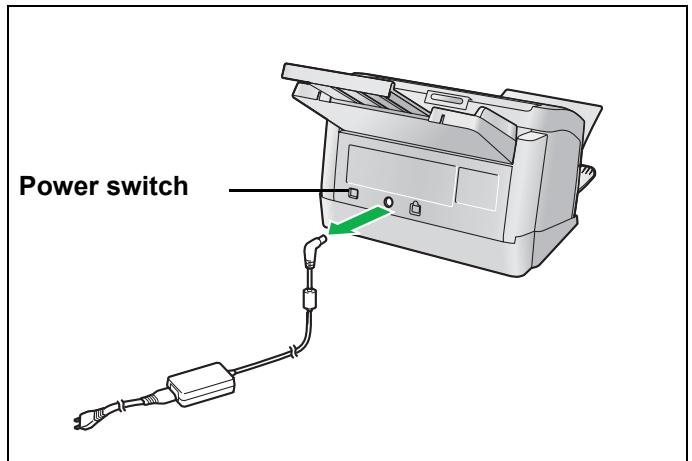
- When using the mixed batch card guide, the document guides cannot be adjusted less than A5 size.
- Set only one card at a time.
- Keep the thickness of paper documents up to 2 mm (0.08 in.); [20 sheets at 80 g/m<sup>2</sup> or 20 lb.] on the feed tray.

# Cleaning the Unit

## ■ Outside of the scanner

Clean the unit at least once a month.

- 1** Turn the power off.
  - Push the power switch.
  - Unplug the AC adaptor from the scanner.



- 2** Clean the covers with a soft cloth.
  - Make sure to clean the document feed and exit parts with the optional roller cleaning paper as they become dirty easily.

## ■ Inside of the scanner

- Clean the unit at least once a week, or when 2,000 sheets have been scanned, whichever comes first.
- Clean the rollers if paper jams or double feeds frequently occur (See [pages 27–29](#)).
- Clean the scanning glass section and reference area when black or white lines appear on the scanned images (See [page 30](#)).
- If the documents you are scanning are dirty, then the scanner parts will become dirty as well. To maintain proper scanning, clean the scanner parts frequently.

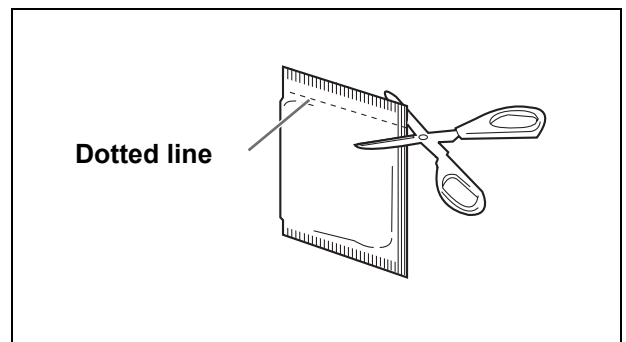
## ■ Optional Roller Cleaning Paper (KV-SS03)

Open the bag on the dotted line, and take out the Roller Cleaning Paper.

### Notes:

- If the Roller Cleaning Paper bag is left opened for a long period of time before using it, the alcohol will evaporate. Please use the Roller Cleaning Paper immediately after opening the bag.
- Before using the roller cleaning paper, please read the safety information on the Operation Manual enclosed with the roller cleaning paper.

The Roller Cleaning Paper (KV-SS03) is available from the dealer where you purchased your scanner. For supplies and accessories: Call 1-800-346-4768 (U.S.A. only) or your dealer.





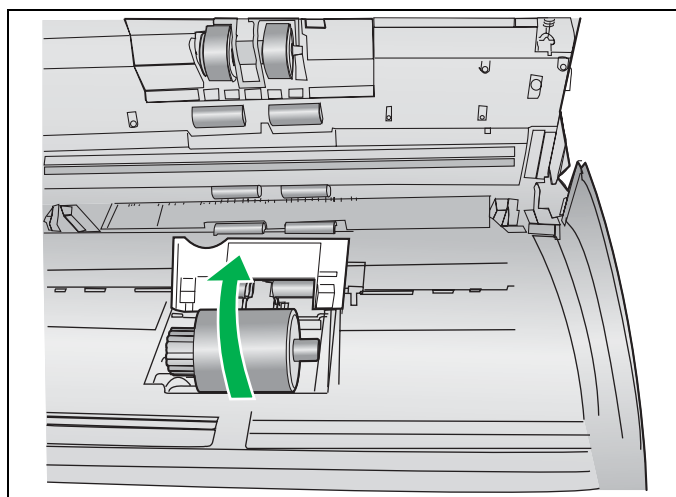
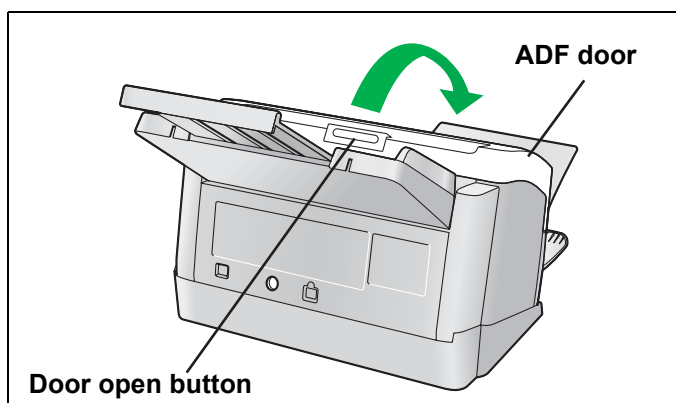
### CAUTION

The scanning glass section may be very hot.  
When the glasses are hot, work after waiting to get cold without touching around the glasses.

### ■ Cleaning the rollers

Follow the steps below to clean the rollers.

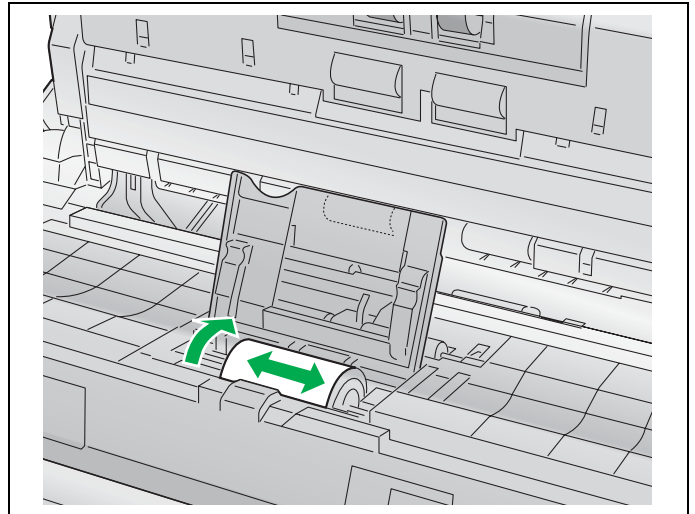
- 1** Turn the power off.
  - Push the power switch.
  - Unplug the AC adaptor from the scanner.
- 2** Press the door open button, and open the ADF door.
- 3** Open the paper feed roller cover (Green) in the direction of the arrow shown in the illustration.



## Cleaning the Unit

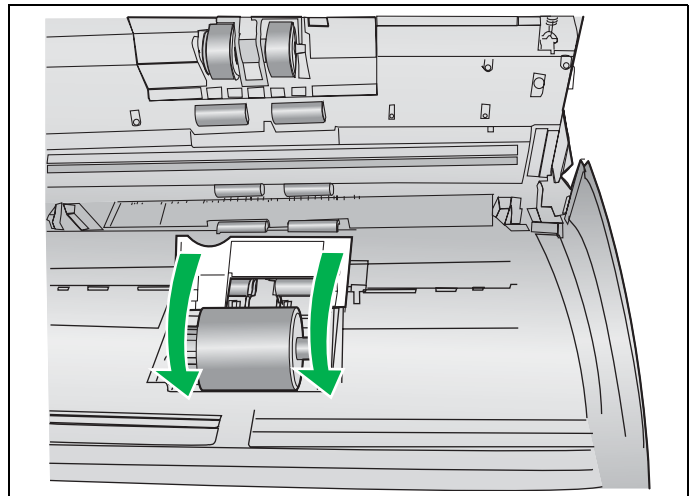
**4** Use the Roller Cleaning Paper (KV-SS03) to remove the dirt from the surface of the paper feed roller.

- When wiping off the dirt on the roller surface, hold the roller to prevent it from rotating, and wipe the roller from one end to the other (in the direction of the arrow) all the way around it, as shown in the illustration.



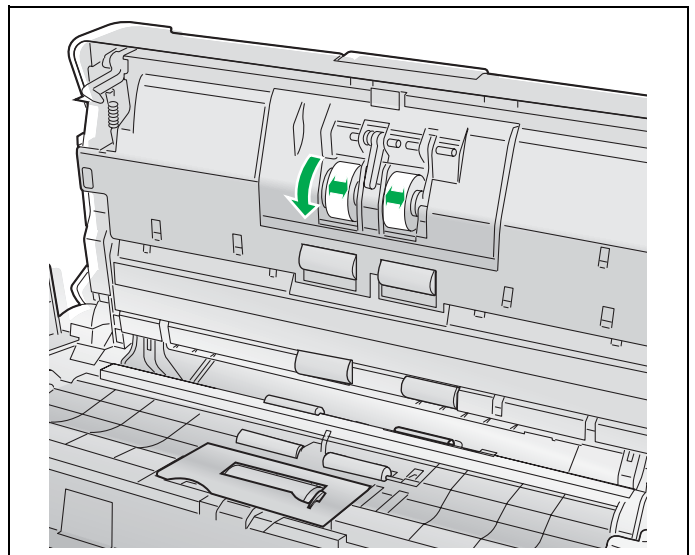
**5** Close the paper feed roller cover (Green) firmly.

- Make sure both sides of the paper feed roller cover (Green) lock in place.



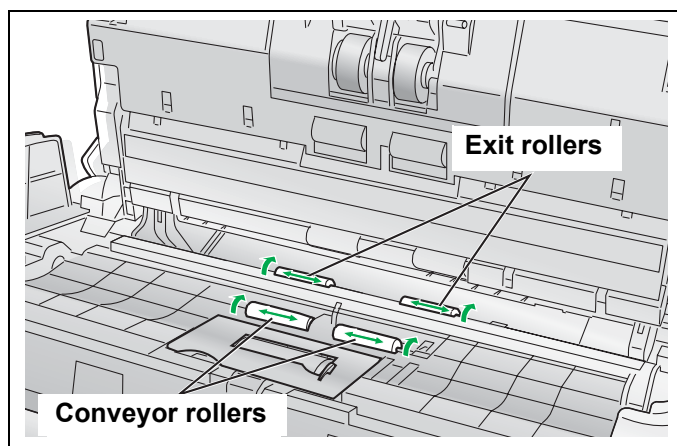
**6** Use the Roller Cleaning Paper to clean the surface of the double-feed prevention roller.

- Wipe the double-feed prevention roller from one end to the other (in the direction of the arrow) all the way around it, as shown in the illustration.



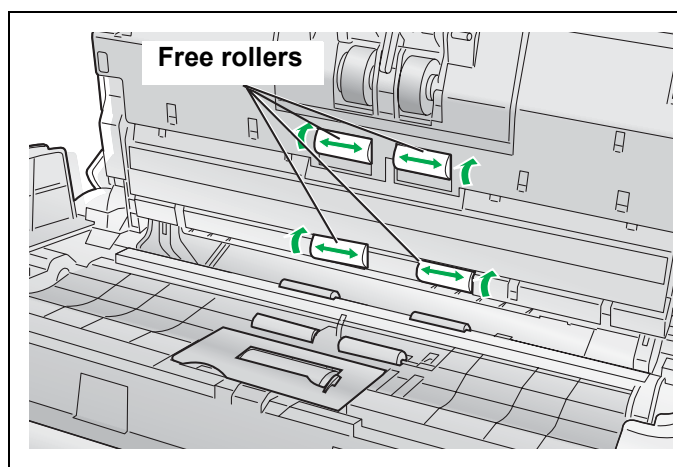
**7** Use the Roller Cleaning Paper to clean the surface of the conveyor rollers and exit rollers.

- Wipe the conveyor rollers and the exit rollers from one end to the other (in the direction of the arrow) all the way around them, as shown in the illustration.



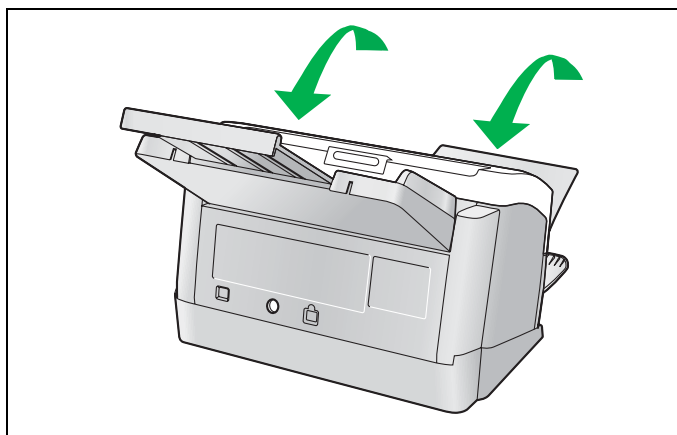
**8** Use the Roller Cleaning Paper to clean the surface of the free rollers.

- Wipe the free rollers from one end to the other (in the direction of the arrow) all the way around them, as shown in the illustration.



**9** Close the ADF door.

- Push down on both sides of the ADF door gently until it clicks into place.



**10** Clear the roller cleaning counter with the User Utility.

- After the rollers have been cleaned, press the [Clear Counter] button to clear the [After Clean Roller] counter to zero on the User Utility window.
- Refer to the User Utility Reference Manual.

## Cleaning the Unit

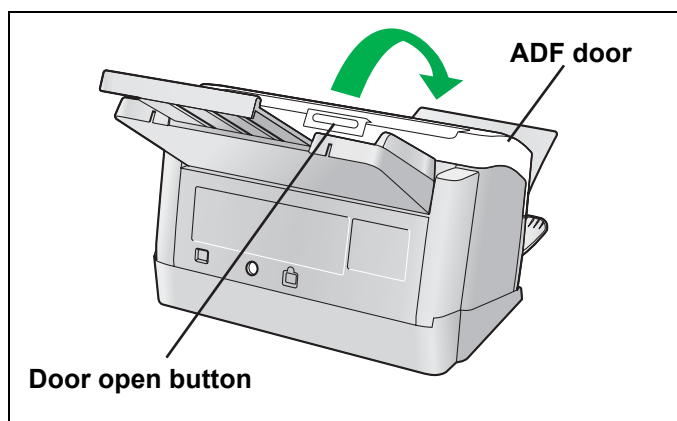


### CAUTION

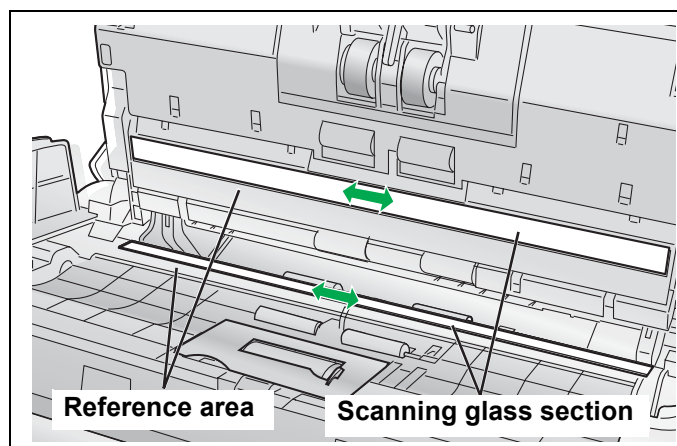
The scanning glass section may be very hot.  
When the glasses are hot, work after waiting to get cold without touching around the glasses.

### ■ Cleaning the scanning glass section and reference area

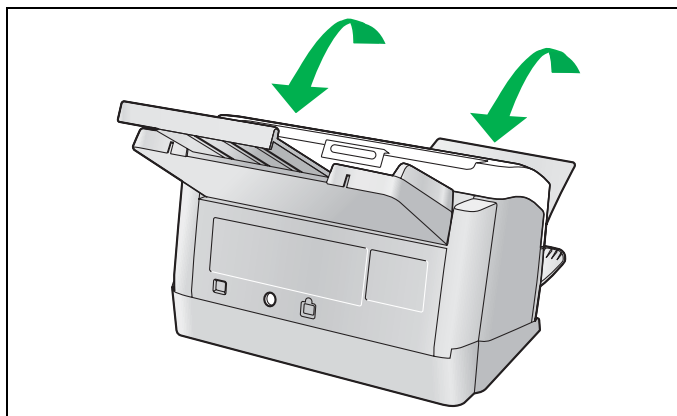
- 1 Turn the power off.
  - Push the power switch.
  - Unplug the AC adaptor from the scanner.
- 2 Press the door open button, and open the ADF door.



- 3 Clean the scanning glass section and reference area using the Roller Cleaning Paper.



- 4 Close the ADF door.
  - Push down on both sides of the ADF door gently until it clicks into place.



# Replacing Consumables



## CAUTION

The scanning glass section may be very hot. When the glasses are hot, work after waiting to get cold without touching around the glasses.

The double-feed prevention roller and the paper feed roller are consumables. Please purchase the Roller Exchange Kit (KV-SS030), and replace each roller periodically.

The usable life of each roller is as follows.

- Double-feed prevention roller : 50,000 sheets
- Paper feed roller : 100,000 sheets

The scanner counter can be confirmed by using the User Utility. When the [After Replace Roller] counter is greater than the [Warning] counter, "The rollers need to be replaced" warning message is displayed on the screen of the User Utility.

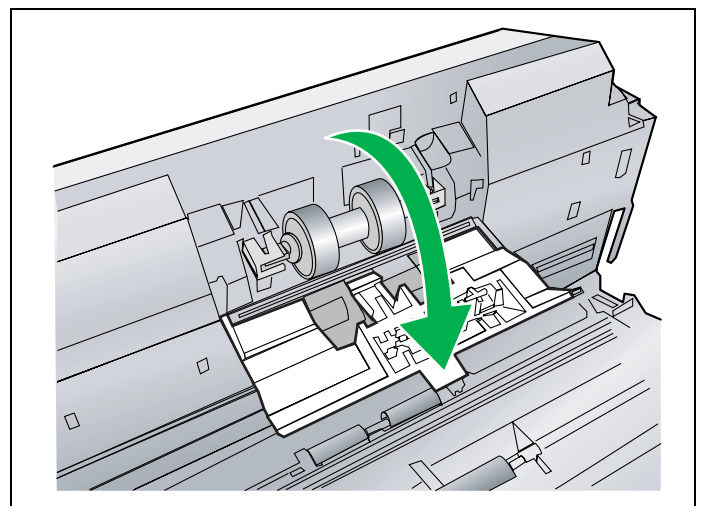
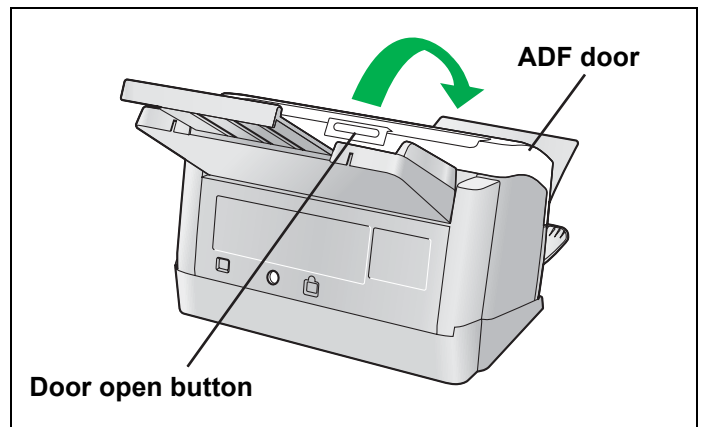
The Roller Exchange Kit (KV-SS030) contains two double-feed prevention rollers and one paper feed roller. Please keep the unused rollers in a safe place for future use.

### Note:

The usable life of each roller is the estimated value for using the A4 or Letter sized standard paper (64 g/m<sup>2</sup> or 80 g/m<sup>2</sup> (20 lb.)). It may vary with the kinds of paper, usage and cleaning intervals.

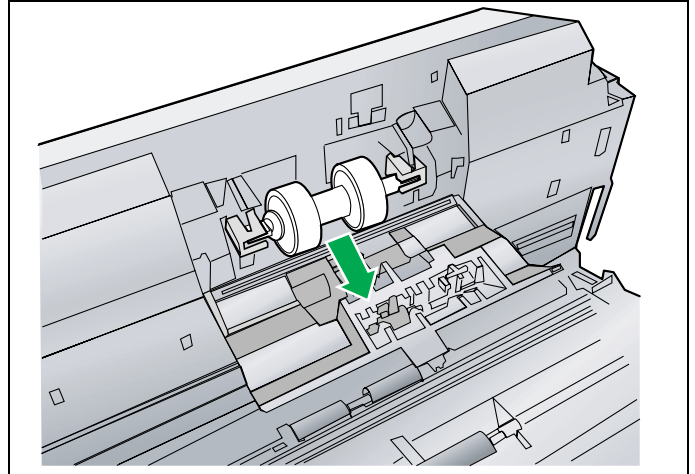
## ■ Replacing the double-feed prevention roller

- 1** Turn the power off.
  - Push the power switch.
  - Unplug the AC adaptor from the scanner.
- 2** Press the door open button, and open the ADF door.
- 3** Open the double-feed prevention roller cover (Green).



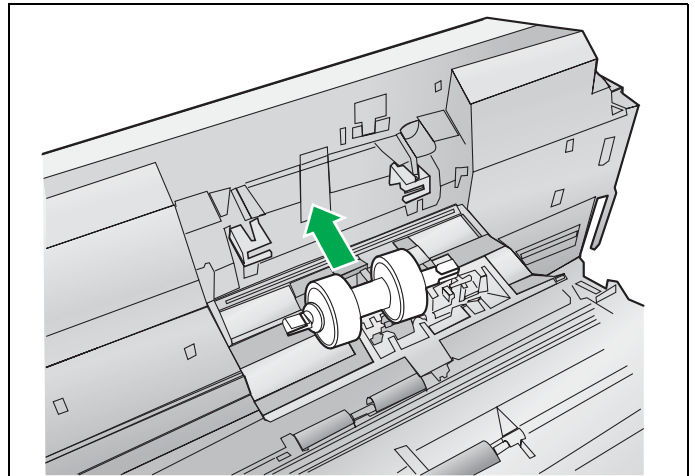
## Replacing Consumables

- 4** Remove the double-feed prevention roller in the direction of the arrow shown in the illustration.



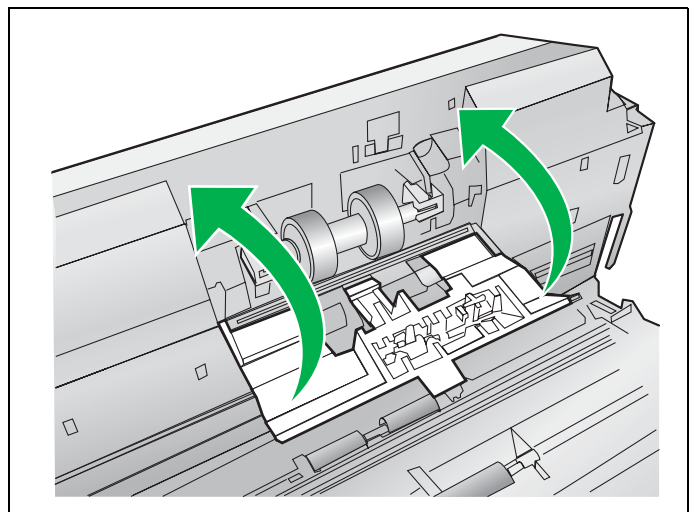
- 5** Retrieve the new double-feed prevention roller from the optional Roller Exchange Kit (KV-SS030).

- 6** Install the new double-feed prevention roller into the metal holder with the longer groove facing to the right-side (Rear view).



- 7** Close the double-feed prevention roller cover (Green) firmly.

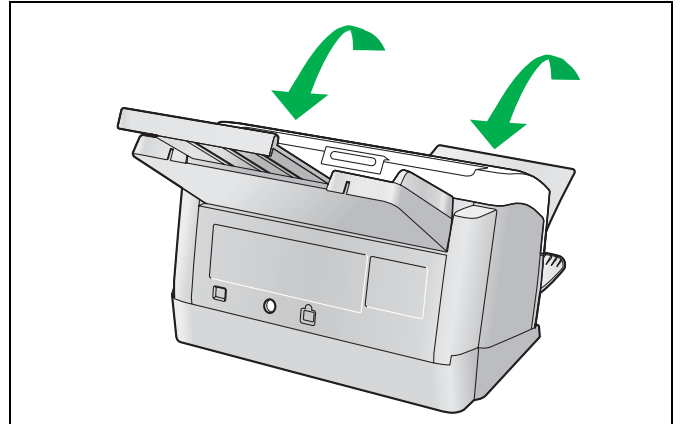
- Make sure both sides of the double-feed prevention roller cover (Green) lock in place.





### 8 Close the ADF door.

- Push down on both sides of the ADF door gently until it clicks into place.



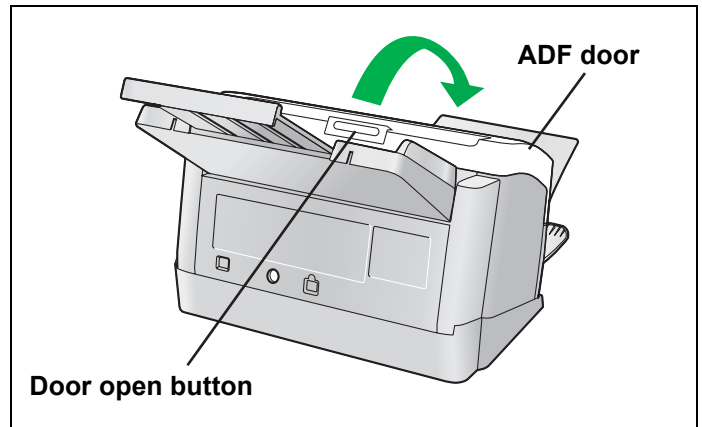
### 9 Clear the roller replacing counter with the User Utility.

- After the double-feed prevention roller has been replaced, press the [Clear Counter] button to clear the [After Replace "Double-feed Prevention Roller"] counter to zero on the User Utility window.
- Refer to the User Utility Reference Manual.

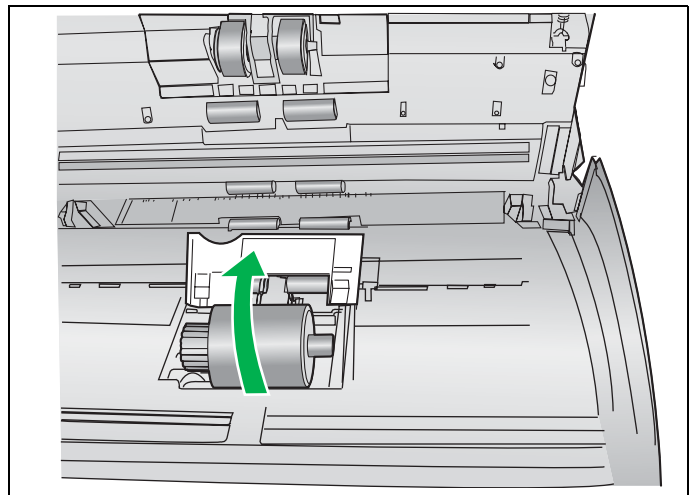
## Replacing Consumables

### ■ Replacing the paper feed roller

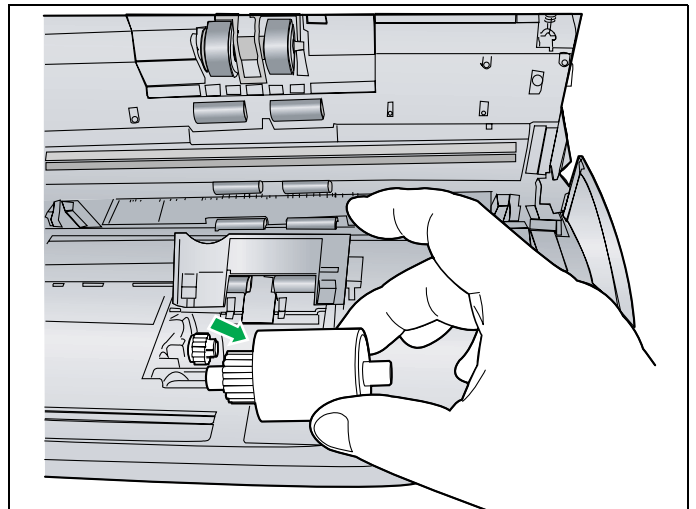
- 1** Turn the power off.
  - Push the power switch.
  - Unplug the AC adaptor from the scanner.
- 2** Press the door open button, and open the ADF door.



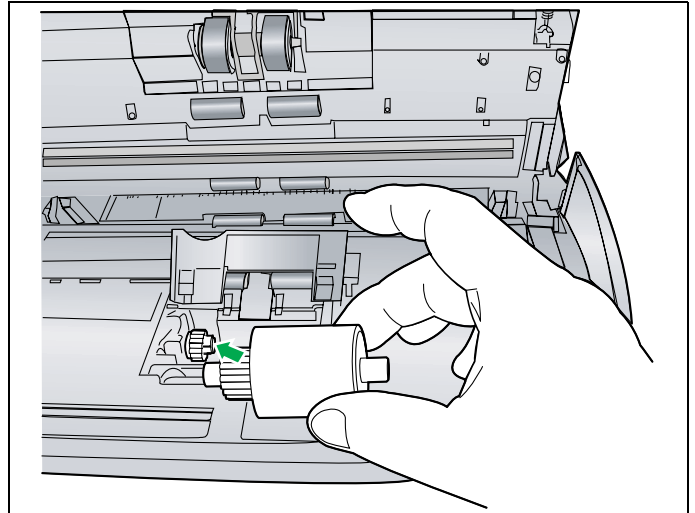
- 3** Open the paper feed roller cover (Green) in the direction of the arrow shown in the illustration.



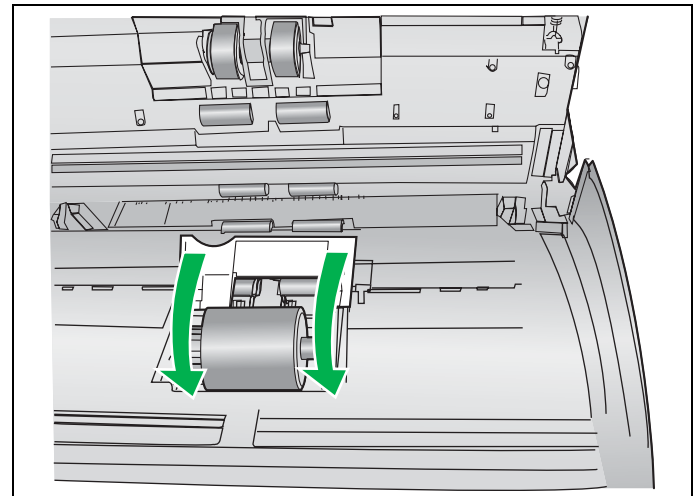
- 4** Remove the paper feed roller.



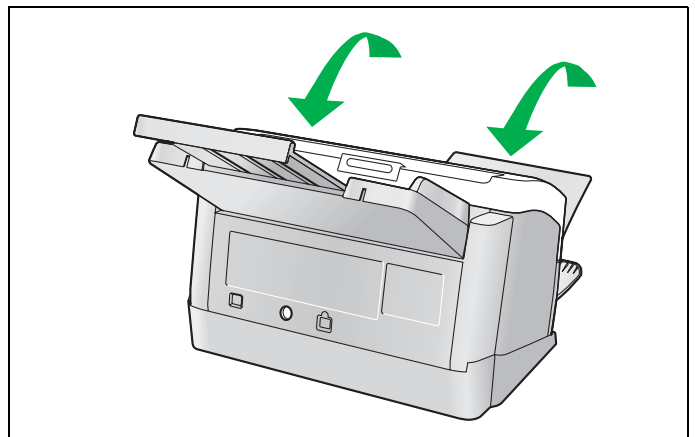
- 5** Open the optional Roller Exchange Kit (KV-SS030), and retrieve a new paper feed roller.
- 6** Install the new paper feed roller with the gear on the left side.



- 7** Close the paper feed roller cover (Green) firmly.
  - Make sure both sides of the paper feed roller cover (Green) lock in place.
  - After installing the paper feed roller, confirm that the paper feed roller can rotate in the feeding direction.



- 8** Close the ADF door.
  - Push down on both sides of the ADF door gently until it clicks into place.



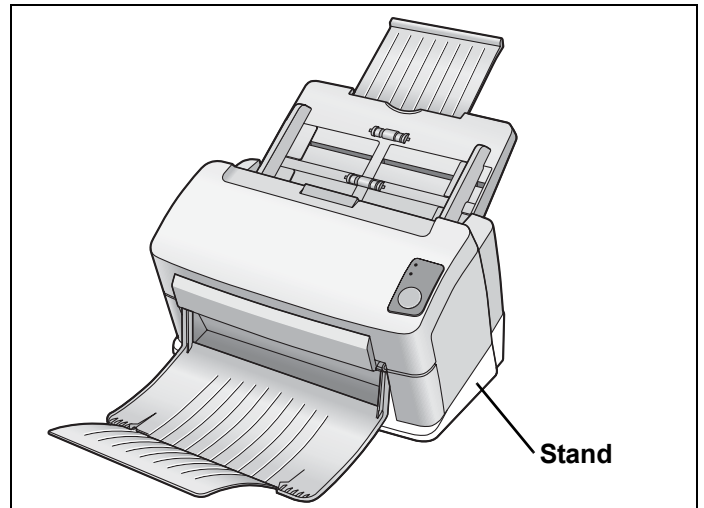
### 9 Clear the roller replacing counter with the User Utility.

- After the paper feed roller has been replaced, press the [Clear Counter] button to clear the [After Replace “Paper Feed Roller”] counter to zero on the User Utility window.
- Refer to the User Utility Reference Manual.

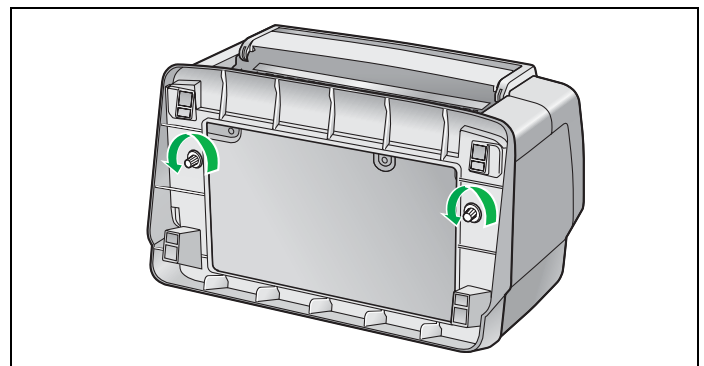
# Removing the Stand

The scanner can be used without the stand depending on the operating conditions. Follow the steps below to remove the stand from the scanner.

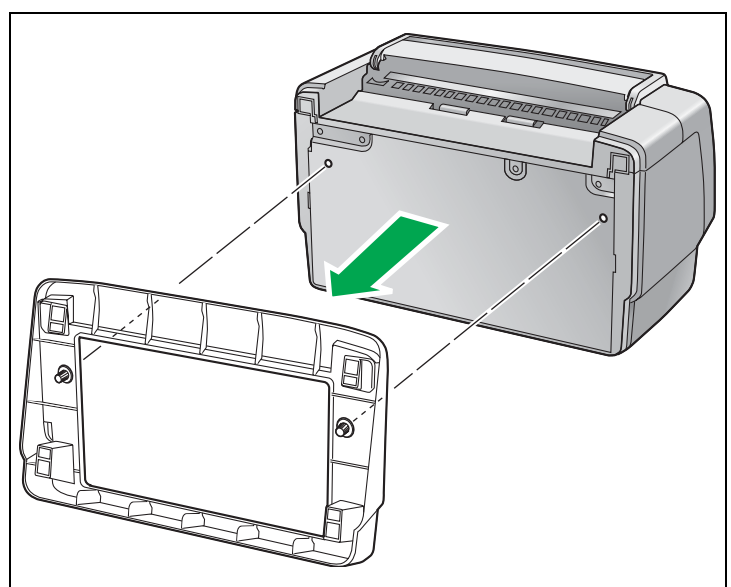
## ■ Removing the stand



- 1** Place the scanner on an even surface as shown in the illustration, and then loosen the two screws counterclockwise.



- 2** Remove the stand from the scanner.



### Note:

- When installing the stand, carry out these steps in reverse order.

# Repacking Instructions

It is highly recommended that you keep the original carton and ALL packing materials. If you need to transport or ship your scanner, please follow these instructions.

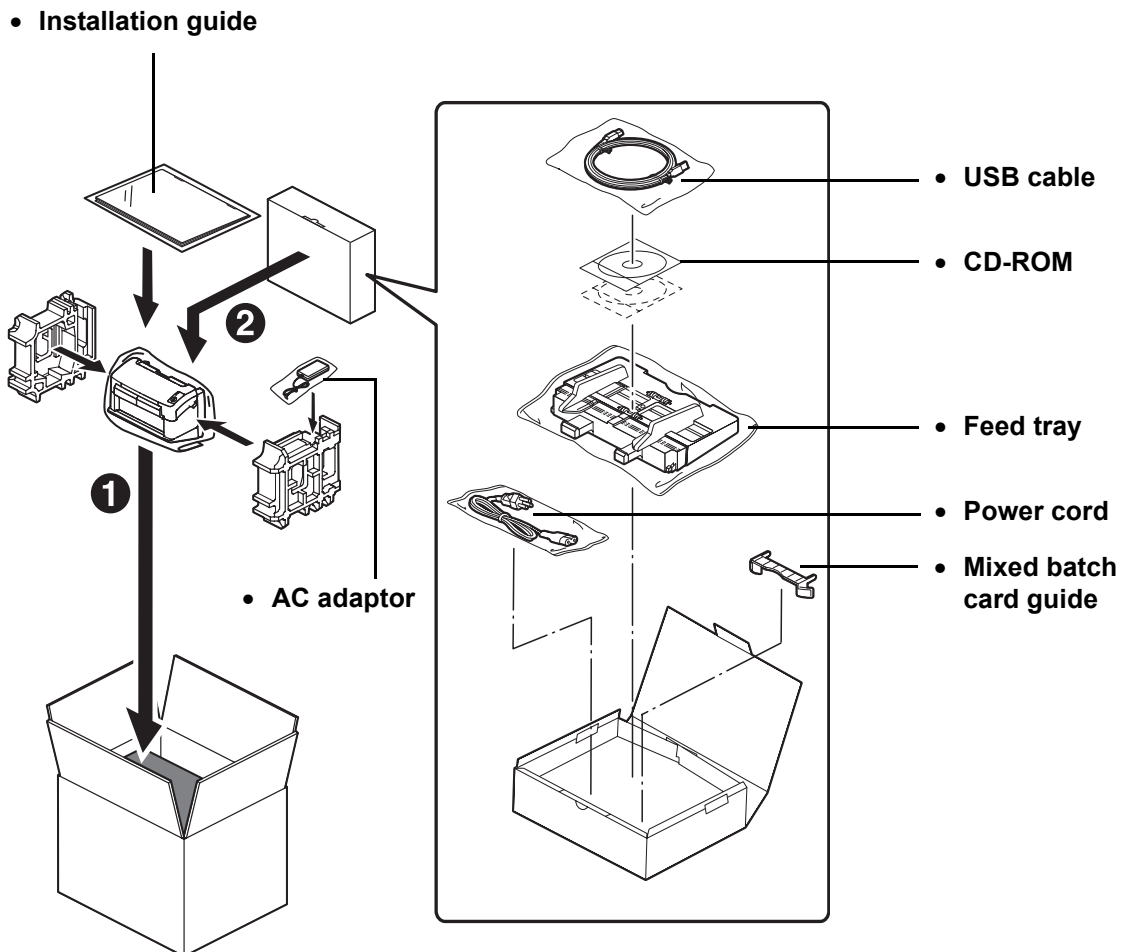
## Please Note:

- Please use the original carton and all of the original packing materials.
- **Improper repacking of the scanner may result in a service charge to repair the unit.**
- The scanner should be handled in the correct (horizontal) position.

## Materials Required:

- Original scanner carton and packing materials.

- 1** Push the power switch to turn off. Unplug the power cord from the AC outlet, and disconnect the AC adaptor and USB cable from the scanner.
- 2** Remove the feed tray from the scanner (See [page 10](#)).
- 3** Install the stand if you have been using the scanner without it (See [page 37](#)).
- 4** Put the mixed batch card guide into the accessory box.
- 5** Pack the scanner.



# Specifications

Item		Model No.	KV-S1025C	KV-S1020C
Scanning	Scanning face		Duplex scanning Simplex scanning	Simplex scanning
	Scanning method		CCD (600 dpi) Background: Black	
	Scanning width		218 mm (8.58 in.)	
	Scanning speed* <sup>1</sup> (portrait, 200 dpi)	Binary	Simplex scanning Letter: 26 pages/min. A4: 25 pages/min. Duplex scanning Letter: 52 images/min. A4: 50 images/min.	Simplex scanning Letter: 26 pages/min. A4: 25 pages/min.
		Color	Simplex scanning Letter: 26 pages/min. A4: 25 pages/min. Duplex scanning Letter: 52 images/min. A4: 50 images/min.	Simplex scanning Letter: 26 pages/min. A4: 25 pages/min.
	Output resolution		Main scanning direction: 100 - 600 dpi (1 dpi step) Sub-scanning direction: 100 - 600 dpi (1 dpi step) (Same as main scanning direction) The optical resolution: 600 dpi.	
	Image output		Binary, Grayscale, Color, Multistream (Binary & Gray, Binary & Color)	
	Image control		Image emphasis, Dynamic threshold, Automatic separation, Invert, White level from paper	
	Compression		JPEG (Color, Grayscale)	
	Paper	Size	48 x 70 mm (1.89 x 2.76 in.) to 216 x 2540 mm (8.5 x 100 in.) <sup>*2</sup>	
		Weight	40 - 209 g /m <sup>2</sup> (11 - 55 lb. <sup>*3</sup> ) Embossed card is also available.	
		Thickness	0.05 - 0.2 mm (2.0 - 7.9 mils <sup>*4</sup> )	
	Feed tray capacity		50 sheets [80 g/m <sup>2</sup> (20 lb.) New paper]	
	Exit tray capacity		50 sheets [80 g/m <sup>2</sup> (20 lb.) New paper]	
	Life <sup>*5</sup>		500000 sheets	
	Roller replacement <sup>*5</sup>		Double-feed prevention roller : 50000 sheets Paper feed roller : 100000 sheets	
Maintenance		Clean the rollers, sensors, and glasses once a week or every 2000 sheets scanned.		

\*1 The scanning speed depends on the test environment. In addition, it differs depending on the host computer operating environment or application.

\*2 Though other paper size can be specified, it cannot be guaranteed.

\*3 "Weight in pounds" of paper represents the weight of 500 [17 x 22 inches (432 x 559 mm)] sheets.

\*4 1 mil = 1/1000 in.

\*5 The life of the scanner and the rollers is the estimated value when using the A4 or Letter sized standard paper (64 g/m<sup>2</sup> or 80 g/m<sup>2</sup> (20 lb.)). It may vary with the kinds of paper, usage and cleaning intervals.

## Specifications

Item		Model No.	KV-S1025C	KV-S1020C
Unit	External dimensions (Width x Height x Depth)		317 x 196 x 218 mm (12.5 x 7.8 x 8.6 in.) (When closing the exit tray with the stand, without the feed tray)	
	Mass (Weight)		4.2 kg (9.3 lbs.)	4.1 kg (9.1 lbs.)
	Power supply		External power supply (AC adaptor) AC100–120 V, 50/60 Hz AC220–240 V, 50/60 Hz	
	Power consumption	Scanning mode (Maximum)	32 W	24 W
		Idle mode	22 W	14 W
		Sleep mode	less than 12 W	
When the power switch is OFF		Approx. 1 W (While the AC adaptor is connected to the AC outlet)		
<b>Operating Environment</b>	Operating temperature and humidity	15 to 30 °C (59 to 86 °F), 30 to 80 % RH		
<b>Storage Environment</b>	Storage temperature and humidity	0 to 35 °C (32 to 95 °F), 10 to 80 % RH		
<b>Accessories</b>		CD-ROM, Installation Guide, AC adaptor, Power cord, USB cable, Feed tray		
<b>Option/Consumables</b>		Roller Exchange Kit (KV-SS030) Roller Cleaning Paper (KV-SS03)		



# Troubleshooting

If a problem occurs while the unit is being used, check the following items, and check the scanner status with the User Utility. If the unit still malfunctions, turn it OFF, unplug the AC adaptor from the scanner, and call for service.

Symptom	Possible Cause	Remedy
The LED (Green) does not light when the AC adaptor is connected to the scanner.	Problem with the AC outlet.	Check and reset the circuit breaker.
	The power switch is off.	Push the power switch to turn it on (See <a href="#">page 12</a> ).
	The power cord is not plugged in.	Insert the power plug firmly (See <a href="#">page 12</a> ).
	Problem with the AC adaptor.	Disconnect the scanner from the AC outlet, and call for service.
The computer does not recognize the scanner.	The scanner is not connected to the computer correctly.	Connect the USB cable correctly.
	The scanner is not registered correctly.	Uninstall the scanner from the computer. Register the scanner hardware again (See <a href="#">page 14</a> ).
	The USB interface of the computer is not installed correctly.	Check the computer whether the USB interface of your computer is installed correctly using the device manager's property.
	The scanner is connected via USB hub.	Do not connect via USB hub.
	The USB cable without High-Speed logo is used.	Use the USB cable with High-Speed logo.
Scan speed is slow at USB connection.	The scanner is connected to the computer with USB 1.1.	Connect to the computer with USB 2.0.
The document has been loaded on the feed tray. But the scanner does not start scanning.	The document is not loaded properly.	Load the document properly (See <a href="#">pages 21 to 22</a> ).
	The sensor cannot detect the document as the edge of the document is curled.	Flatten the document, and load it again.
Scanned image is slanted.	The document guides are not adjusted to the size of the document being scanned. The document to be scanned is set slanted on the feed tray.	Adjust the document guides properly to the size of the document being scanned.
	Right and left sides of the document to be scanned are not of the same height, due to curl and fold.	Remove curl and fold, and flatten the document.
	If the paper size is small, the document to be scanned may become curled on the feed tray. This may cause paper jams or skewing.	Using the mixed batch card guide prevents the documents to be scanned from becoming curled on the feed tray.

## Troubleshooting

Symptom	Possible Cause	Remedy
Double feeding or skewing problems occur frequently, or the scanner stops feeding while scanning.	The document is not loaded properly.	The documents feed better when all the edges are aligned slantwise (See <a href="#">pages 21 to 22</a> ).
	The height of all the documents exceeds the limit.	The height of all the documents on the feed tray should be less than 5 mm (0.2 in.).
	The documents in any different sizes are scanned altogether.	When scanning the documents in any different sizes altogether, make sure to place all the documents to be scanned, in the center of the document guides on the feed tray with the Deskew function turned on. For more details on the Deskew function, refer to the RTIV or PIE reference manual.
	The document is curled or folded.	Flatten the document, and load it again after flattening the pages.
	Irregular type document is being scanned.	Make a copy of the document on the specified paper (See <a href="#">page 20</a> ), and scan the copy.
	The document length is less than 70 mm (2.75 in.).	Make a copy of the document on paper of the specified size, and scan the copy (See <a href="#">page 20</a> ).
	The rollers are dirty.	Clean all of the rollers (See <a href="#">pages 27 to 29</a> ).
	The rollers have reached their life expectancy.	Replace the paper feed roller and the double-feed prevention roller (See <a href="#">pages 31 to 36</a> ).
Scanning an embossed card fails.	It may be caused by the bend of the embossed card, and/or the height or shape of the embossing on the card.	Place the embossed card upside down, and then try again.
The scanned document is blank.	The document to be scanned was loaded face up.	Load the document correctly (See <a href="#">page 22</a> ).
Vertical lines appear on the scanned document.	The scanning glass section is dirty.	Clean the scanning glass section (See <a href="#">page 30</a> ).
The scanning density is uneven.	The scanning glass section is dirty.	Clean the scanning glass section (See <a href="#">page 30</a> ).
The color of the scanned document is extremely different from the original document.	The settings of the computer monitor is wrong.	Adjust the computer monitor settings.
Dark spots or noise appear on the scanned documents.	The scanning glass section is dirty.	Clean the scanning glass section (See <a href="#">page 30</a> ).

Symptom	Possible Cause	Remedy
Scanned image has moire fringes such as stripe or a wavy pattern noise.	It is caused by the printing pattern of the document and the congeniality of the scanning resolution.	Change the resolution, and try to scan again.
The scanning lamp(s) periodically lights up.	The scanning lamp(s) periodically lights up in sleep mode.	This is not an unusual event. For details on sleep mode, refer to the User Utility Reference Manual.

# Index

---

	Page		Page
<b>A</b>		<b>L</b>	
AC adaptor	9, 12, 38, 40	LED (Green)	9, 12
Acceptable cards	20	LED (Red)	9, 12
Acceptable documents	20	Loading Documents	21
Accessories	40	<b>M</b>	
ADF door	9, 23, 27, 30, 31, 34	Mixed batch card guide	9, 25
All Drivers & Utilities installation	14	Multiple sheets	21
<b>C</b>		<b>O</b>	
Caution labels	8	Option/consumables	40
CD-ROM	1, 40	<b>P</b>	
Cleaning the unit	26	Paper feed roller	28, 34, 35
Clearing paper jams	23	Paper jams	23
Complete installation	14	Power connector	9
Component identification	9	Power cord	9, 12
Conveyor roller	29	Power switch	9, 12
Custom installation	15	Precautions	8
<b>D</b>		<b>R</b>	
Document guides	9, 21, 22	Reference area	26, 30
Door open button	9, 23, 27, 30, 31, 34	Repacking	38
Double-feed prevention	31	Replacing Consumables	31
Double-feed prevention roller	32	Roller cleaning paper	26, 29, 40
Double-feed prevention roller cover	31	Roller exchange kit	40
<b>E</b>		<b>S</b>	
ENERGY STAR	2	Scanning glass section	26, 30
Exit tray	9, 11	Security slot	9
Exit tray extension	9, 11	Specifications	39
<b>F</b>		Stand	9, 37
Feed tray	9, 10, 22, 25, 40	Start/Stop button	9
Feed tray extension	9, 10		
Free rollers	29		

Page

Page

**T**

---

Troubleshooting ..... 41

**U**

---

Unacceptable document ..... 20

USB cable ..... 9, 12, 40

USB port ..... 9

**Panasonic Digital Document Company,  
Unit of Panasonic Corporation of North America**  
One Panasonic Way, Secaucus, New Jersey 07094

**Panasonic Canada Inc.**  
5770 Ambler Drive, Mississauga, Ontario, L4W 2T3

**Panasonic Business Systems U.K.  
A Division of Panasonic U.K. Ltd.**  
Willoughby Road, Bracknell, Berkshire, RG12 8FP

**Matsushita Electric Industrial Co., Ltd.**  
<http://www.panasonic.co.jp/global/>

© 2006 Panasonic Communications Co., Ltd. All Rights Reserved.

EN-20060414

## Free Manuals Download Website

<http://myh66.com>

<http://usermanuals.us>

<http://www.somanuals.com>

<http://www.4manuals.cc>

<http://www.manual-lib.com>

<http://www.404manual.com>

<http://www.luxmanual.com>

<http://aubethermostatmanual.com>

Golf course search by state

<http://golfingnear.com>

Email search by domain

<http://emailbydomain.com>

Auto manuals search

<http://auto.somanuals.com>

TV manuals search

<http://tv.somanuals.com>