

Operating Instructions

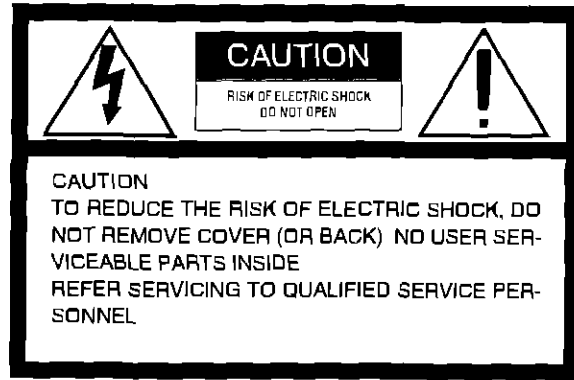
Panasonic®

Outdoor Camera Housing

Model No. **AW-CH600**



Before attempting to connect or operate this product,
please read these instructions completely
and save this manual for future use.



SA 1965

The lightning flash with arrowhead symbol, within an equilateral triangle, is intended to alert the user to the presence of uninsulated "dangerous voltage" within the product's enclosure that may be of sufficient magnitude to constitute a risk of electric shock to persons



SA 1966

The exclamation point within an equilateral triangle is intended to alert the user to the presence of important operating and maintenance (servicing) instructions in the literature accompanying the appliance

For U.S.A.

NOTE This equipment has been tested and found to comply with the limits for a Class A digital device, pursuant to part 15 of the FCC Rules. These limits are designed to provide reasonable protection against harmful interference when the equipment is operated in a commercial environment. This equipment generates, uses, and can radiate radio frequency energy and, if not installed and used in accordance with the instruction manual, may cause harmful interference to radio communications. Operation of this equipment in a residential area is likely to cause harmful interference in which case the user will be required to correct the interference at his own expense.

For CANADA

This Class A digital apparatus complies with Canadian ICES-003

Cet appareil numérique de la classe A est conforme à la norme NMB-003 du Canada

The information marking of this product may be found on the bottom of the product

The serial number of this product may be found on the bottom of the product

You should note the serial number of this product in the space provided and retain this book as a permanent record of your purchase to aid identification in the event of theft

Model No _____

Serial No _____

CONTENTS

| | |
|---|----|
| WARNING/CAUTION FOR SAFETY | 4 |
| PREFACE | 5 |
| MAJOR OPERATING CONTROLS AND THEIR FUNCTIONS | 6 |
| MOUNTING | 9 |
| ■ Caution | 9 |
| ■ Camera Mounting | 9 |
| ■ Mounting to Pan/Tilt Head | 11 |
| CONNECTION | 12 |
| ■ Connection to Camera | 12 |
| ■ Connecting Cables from the Housing to Pan/Tilt Head | 13 |
| APPEARANCE | 14 |
| SPECIFICATIONS | 15 |
| STANDARD ACCESSORIES | 15 |

WARNING/CAUTION FOR SAFETY



WARNING

- **Refer all servicing to qualified personnel**
To reduce the risk of electric shock, don't remove cover or back, unless you are a qualified personnel. Refer all mountings, connections, servicing to qualified service personnel!
- **No water or moisture inside**
Do not let water or moisture into the product, or expose it to moisture, to prevent a fire and electric shock.
- If you see smoke or smell an odor from the product if water or other foreign matter gets inside, if it is damaged by dropping or if you find anything wrong with it, immediately stop using it.
- **Do not disassemble or modify the product to prevent a fire and electric shock**



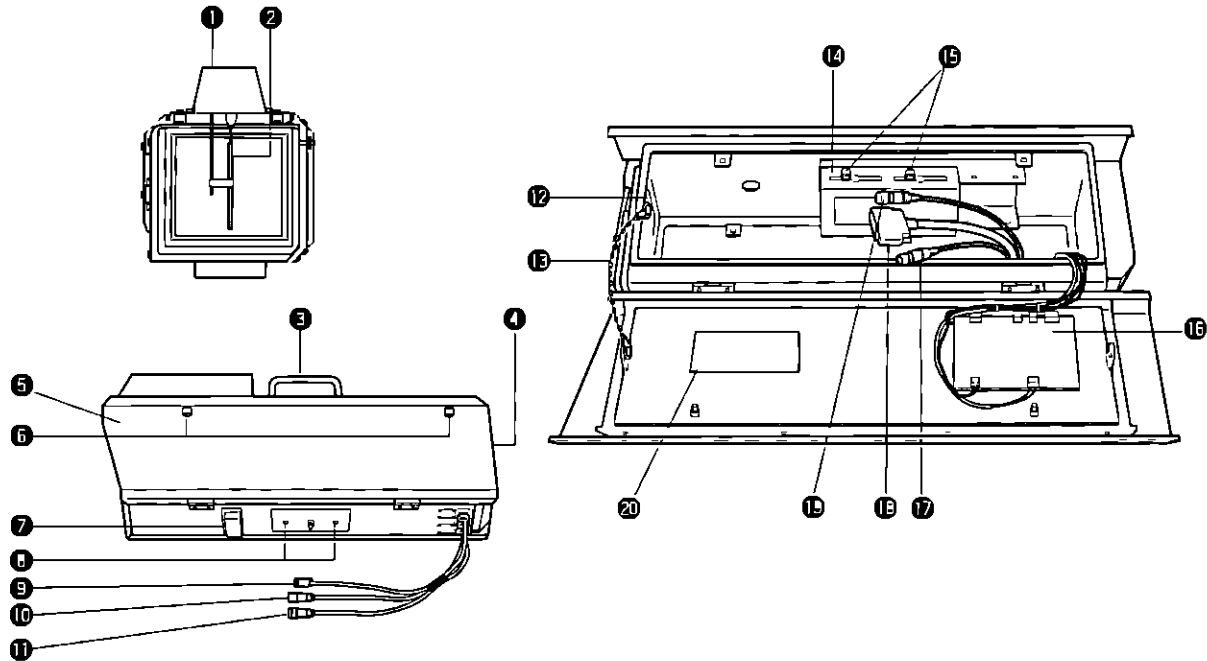
CAUTION

- **Install it at a stable place and fasten it securely**
The product may fall due to unstable installation, possibly causing injuries and accidents.
- **Be sure to switch power off before maintenance or installation**
Otherwise, there is the danger of fingers caught in the rotating parts or of other injuries.
- Do not install this product near any object that burns easily.
In case of using a halogen lamp, installation of it near such an object could cause a fire due to the heat generated by the lamp.

PREFACE

- The AW-CH600 is an outdoor camera housing for the Panasonic series of convertible cameras. An outdoor pan/tilt head system can be built by combining it with the outdoor pan/tilt head AW-PH600 and AC adaptor AW-PS600.
- The camera housing has a wiper and defroster.
- The inside temperature is controlled by a heater and an exhaust fan.
- This product conforms to the waterproof standard IPX3.

MAJOR OPERATING CONTROLS AND THEIR FUNCTIONS



❶ Wiper Unit

Used to wipe off waterdrops during or after a rain
The wiper operates when the WIP switch on the control panel (AW-RP301 or AW-RP501, for example) is pressed on

❷ Wiper Blade

Replace the wiper blade when it can no longer wipe off waterdrops well

How to replace it: Raise the blade at the center, pull it up and off, and fit a new blade in its place. After replacing the blade, check that the two rods holding the wiper blade are parallel to the glass surface. (Whenever the wiper blade needs replacement, ask the store where you purchased the product to do the job.)

❸ Camera Housing Handle

Used to carry the camera housing

❹ Exhaust Fan

The fan runs when the internal temperature of the camera housing rises, provided that the H/F switch on the control panel is in the ON position.

It has two levels of operation, high and low, depending on the temperature.

❺ Side Cover

Open the side cover when mounting a camera in the camera housing.

❻ Key Hole

Insert the key (an accessory) into the key hole, and turn the screw counterclockwise in the hole. Then open the cover by pulling it toward yourself.

Turn the key clockwise to shut the side cover.

Note Keep the key with care.

❼ Air Filter

Air is taken in through the air filter. Replace it when it is clogged up. The end of the air filter can be seen when the side cover is opened. When replacing the air filter, remove it from there.

(Whenever the air filter needs replacement, ask the store where you purchased the product to do the job.)

❽ Camera Housing Mounting Screw Holes

Fasten the camera housing to the pan/tilt head with the two screws (supplied with pan/tilt head).

❾ ND/EXT Connector

Connect it to the ND/EXT connector on the pan/tilt head (AW-PH600).

10 CAMERA I/F Connector

Connect it to the CAMERA I/F connector on the pan/tilt head

11 HOUSING I/F Connector

Connect it to the HOUSING I/F connector on the pan/tilt head

12 Defroster

The defroster heater is built in by the process of vapor deposition. It operates when the DEF switch on the control panel is pressed on, and is turned off by the thermostatic switch when the temperature exceeds the preset level.

13 Side Cover Chain

The chain holds the side cover at about 90° when it is opened.

14 Camera Mount

Loosen the camera mount screws, move the camera mount to the round hole position, remove the mount, and fix the mount to the camera.

To fix the mount to the camera housing, insert the camera mounling pin into the rail fixed at the farther end, and insert the pin into the round hole up front, making sure that the pin is in line with the hole.

Hold the lens as close to the defroster glass surface as possible, and tighten the mount screws.

Note: With the lens in the WIDE position, watch the picture from the camera and determine the position free of wiper shadow.)

15 Camera Mount Screws

16 Camera Housing Control Board

This board automatically controls the ON/OFF of the wiper, fan, rubber heater and defroster with control signals from the control panel.

17 LENS I/F Connector

Connect it to the lens control cable (for zoom and focus control).

18 I/F REMOTE Connector

Connect it to the I/F REMOTE connector on the camera via the camera connecting cable.

19 ND/EXT Connector

This connector is used to control the lens ND filter and extender. It is not used if the lens does not have the ND filter/extender function.

20 Silicon Rubber Heater

This heater is turned on when the internal temperature of the camera housing falls, provided that the H/F switch on the control panel is in the ON position.

MOUNTING

■ CAUTION

- Be sure to keep system power (including the power of the pan/tilt head and AC adaptor) switched off during installation and connection
- Fix the housing to the pan/tilt head securely so that it will not be unsteady during pan/tilt or when the head is still
- Do not install the camera housing at a place extremely cold below -20°C or extremely hot, over $+60^{\circ}\text{C}$ to avoid operation instability

■ Camera Mounting

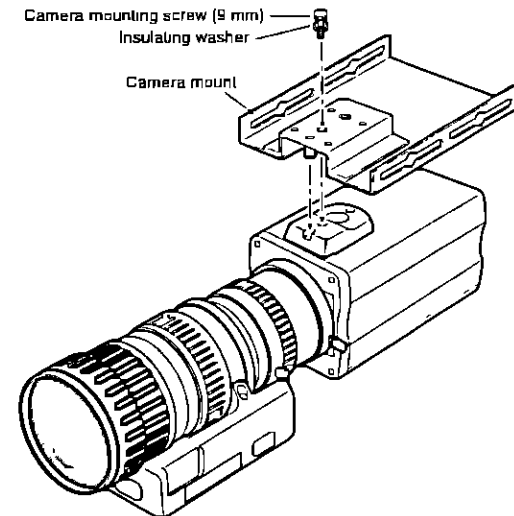
- Loosen the camera mount screws, move the camera mount to the round hole position, remove the mount, and fix the mount to the camera
- In mounting the camera remember that the mounting screw and spacer may be used or not depending on the model
- To fix the mount to the camera housing, insert the camera mounting pin into the rail fixed at the farther end and insert the pin into the round hole up front, making sure that the pin is in line with the hole. Hold the lens as close to the defroster glass surface as possible, and tighten the mount screws
- To use the 33X (36X) lens, the lens support and screws (options) are necessary. Consult the store where you purchased the product

Note With the lens in the TELE position watch the picture from the camera and determine the position free of wiper shadow)

- After mounting the camera, check that the camera is free of play

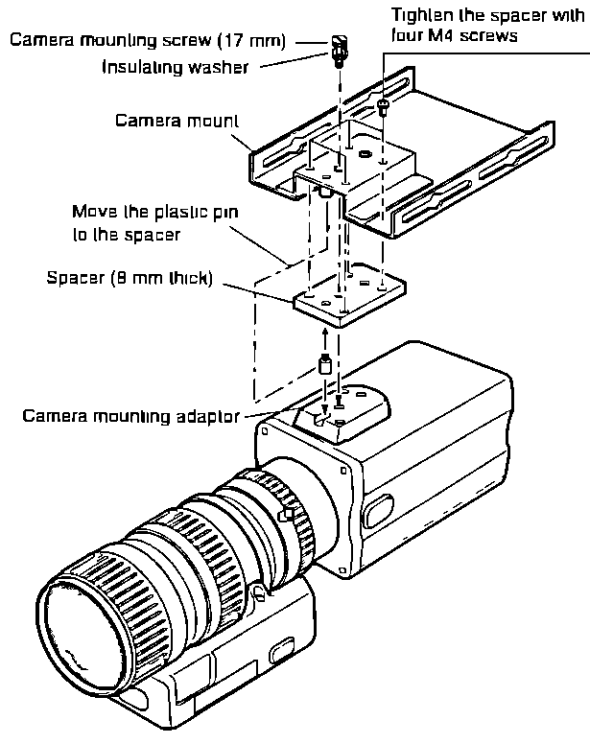
● Camera AW-E800

Install the camera with the camera mounting screw (9 mm)



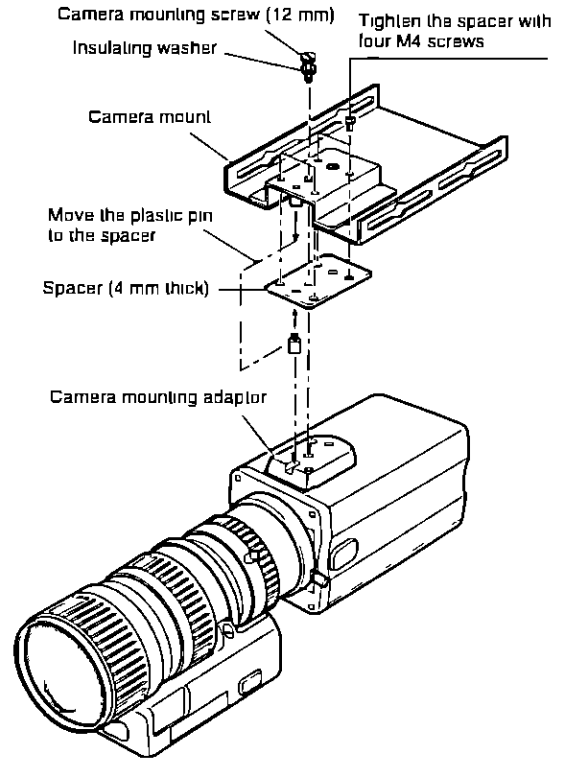
● Camera AW-E300

Use the camera mounting screw (17 mm) and spacer (8 mm thick)



● Camera AE-E600

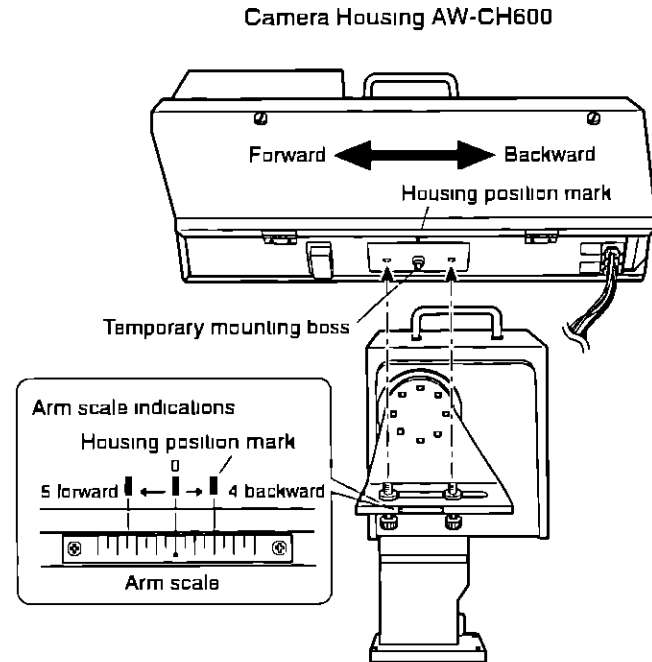
Use the camera mounting screw (12 mm) and spacer (4 mm thick)



■ Mounting to Pan/Tilt Head

- With the tilting arm held horizontal, fit the temporary mounting boss on the bottom of the housing into the groove in the arm, and temporarily fasten the housing from below with the two housing mounting bolts
- Move the camera housing back and forth till it is well balanced, then fasten it securely
As the stop position depends heavily on the balance of the camera housing, be sure to check the accuracy of the preset stop positions after tilting with the picture from the camera
- Rough Yardstick for Good Balance ($\pm 5'$ from preset stop position)
The position of good balance varies depending on the combination of the camera and lenses
Set the arm scale in line with the housing position mark (■), referring to the table below

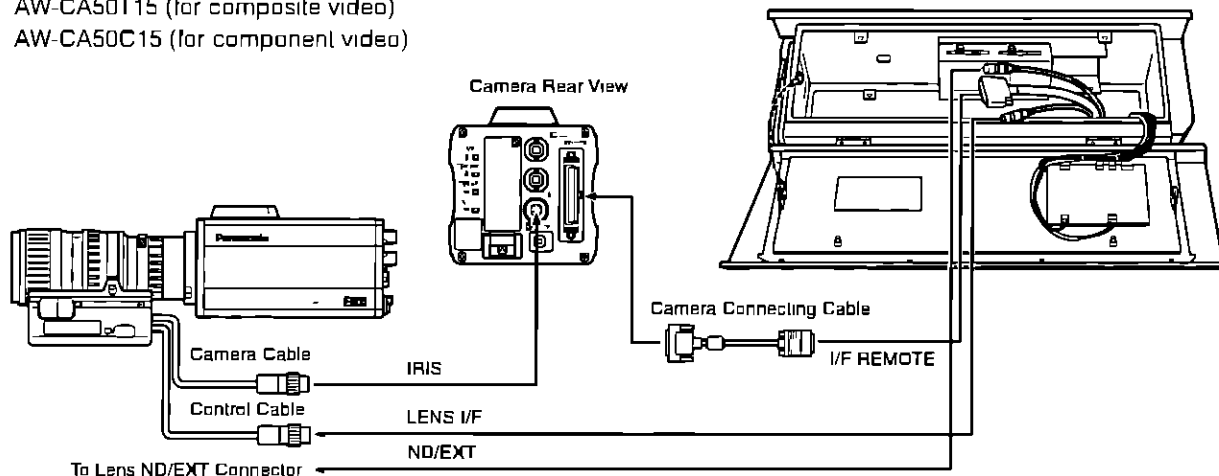
| Camera | Lens | Housing Position |
|---------|------------------------------------|------------------|
| AW-E300 | AW-LZ14MD55 | 1 backward |
| AW-E600 | AW-S14XBMD | 0 |
| AW-E600 | CANNON 14X | 2 backward |
| AW-E600 | CANNON 17X | 5 backward |
| AW-E800 | AW-LZ17MD9 | 2 backward |
| AW-E900 | FUJINON 36X (A36X14, SBERD-E2#) | 7 backward |



CONNECTION

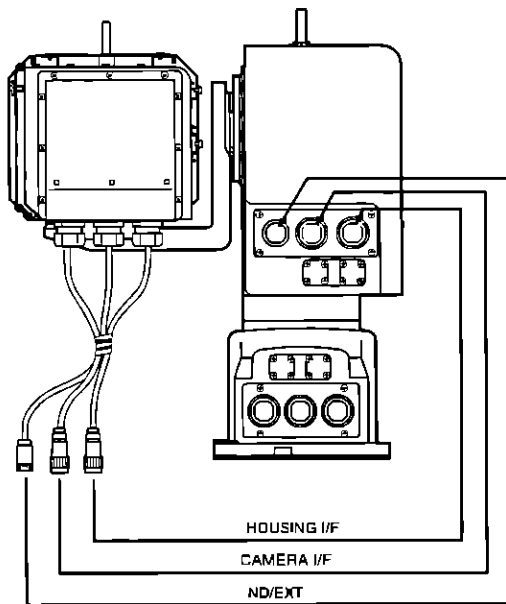
■ Connection to Camera

- The ND/EXT connector is used to control the lens ND filter and extender. It is not used if the lens does not have the ND filter/extender function.
- Bind and clamp unused connectors and cables, if any, so they will not dangle while the pan/tilt head is in use.
- Select the necessary camera connecting cable from among the optional cables shown below.
 - Camera pan/tilt head cable (for RS-232C, personal computer control)
 - AW-CA50A15 (for composite video)
 - AW-CA50D15 (for component video)
 - Pan/tilt head cable (no RS-232C control)
 - AW-CA50T15 (for composite video)
 - AW-CA50C15 (for component video)



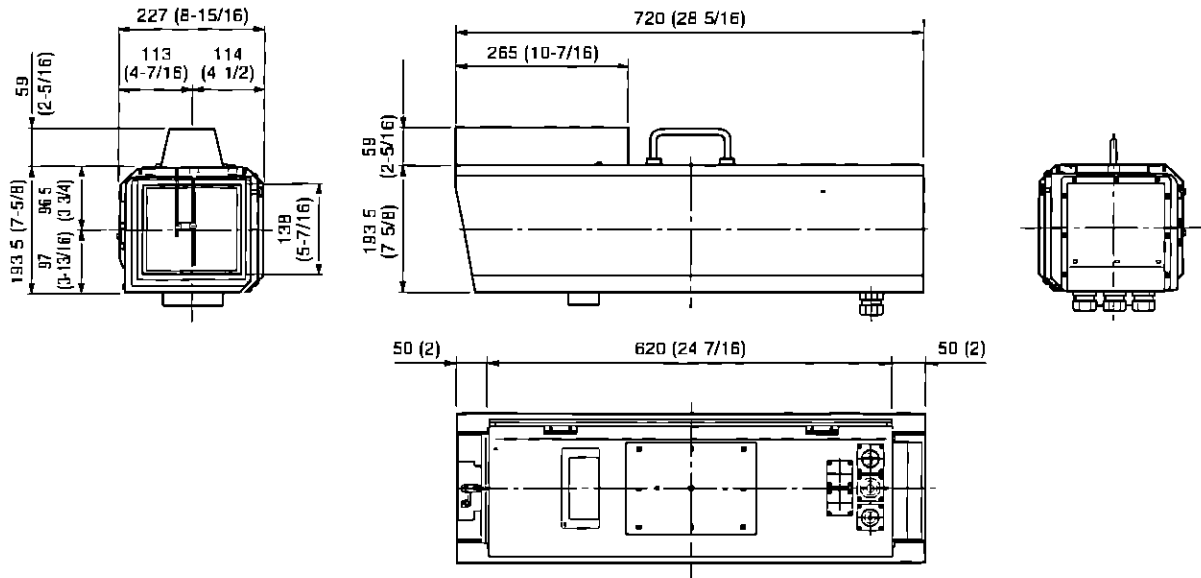
■ Connecting Cables from the Housing to Pan/Tilt Head

Connect the cables from the bottom of the camera housing to the connectors on the panning head, respectively



APPEARANCE

Unit mm (inch)



SPECIFICATIONS

| | |
|---------------------------|---|
| Power | Supplied from pan/tilt head |
| Applicable lenses | AW-LZ14MD55, AW-LZ17MD9 AW-LZ10MD6, A36x14 5BERD-E28, J33ax15B4 1ASSx12 |
| Heater | ON/OFF controllable, ON at about 5°C or below |
| Wiper | ON/OFF controllable |
| Defroster | ON/OFF controllable, OFF at about 40°C or over |
| Fan | ON/OFF controllable, ON at about 30°C or over |
| Maximum payload | 10 kg (Camera and lens) |
| Working temperature range | -20°C to +60°C |
| Ambient humidity | 30% to 90% |
| Dimensions | 227 (W) x 253 (H) x 720 (D) mm [8-15/16' (W) x 9-15/16' (H) x 28-11/32' (D)] |
| Weight | 10 kg (22.05 lbs) |
| Finish | AV ivory paint (Munsell 7.9Y6.8/D.8 or approximate) |

Weight and dimensions indicated are approximate
Specifications are subject to change without notice

STANDARD ACCESSORIES

| | | | |
|---|------|---|-------|
| Key | 1 pc | Camera mounting screw (12 mm for AW-E600) | 1 pc |
| Spacer (8 mm thick for AW-E300) | 1 pc | Spacer screw (M4) | 4 pcs |
| Camera mounting screw (17 mm for AW-E300) | 1 pc | Camera mounting screw (9 mm for AW-E800) | 1 pc |
| Spacer (4 mm thick for AW-E600) | 1 pc | | |

Panasonic

PANASONIC BROADCAST & DIGITAL SYSTEMS COMPANY
DIVISION OF MATSUSHITA ELECTRIC CORPORATION OF AMERICA

Executive Office

3330 Cahuenga Blvd W , Los Angeles, CA 90068 (323) 436-3500

EASTERN ZONE

One Panasonic Way 4E-7, Secaucus NJ 07094 (201) 348-7621

Mid-Atlantic/New England

One Panasonic Way 4E-7, Secaucus, NJ 07094 (201) 348-7621

Southeast Region

1225 Northbrook Parkway, Ste 1-160, Suwanee, GA 30024 (770) 338-6835

Central Region

1707 N Randall Road E1-C-1, Elgin, IL 60123 (847) 468-5200

WESTERN ZONE

3330 Cahuenga Blvd W Los Angeles, CA 90068 (323) 436-3500

Dallas Region

6226 Abington Way, Houston, TX 77008 (713) 802-2726

No CA/Northwest Region

5870 Stoneridge, #3, Pleasanton, CA 94588 (925) 416-5108

Government Marketing Department

52 West Gude Drive, Rockville MD 20850 (301) 738-3840

Panasonic Canada Inc

5770 Ambler Drive, Mississauga Ontario L4W 2T3 (905) 624-5010

Panasonic Sales Company

Division of Matsushita Electric of Puerto Rico Inc

San Gabriel Industrial Park, 65th Infantry Ave , Km 9.5 Carolina, Puerto Rico 00630 (787) 750-4300

Printed in Japan

7J1A427B

F0200Y1090 



Free Manuals Download Website

<http://myh66.com>

<http://usermanuals.us>

<http://www.somanuals.com>

<http://www.4manuals.cc>

<http://www.manual-lib.com>

<http://www.404manual.com>

<http://www.luxmanual.com>

<http://aubethermostatmanual.com>

Golf course search by state

<http://golfingnear.com>

Email search by domain

<http://emailbydomain.com>

Auto manuals search

<http://auto.somanuals.com>

TV manuals search

<http://tv.somanuals.com>