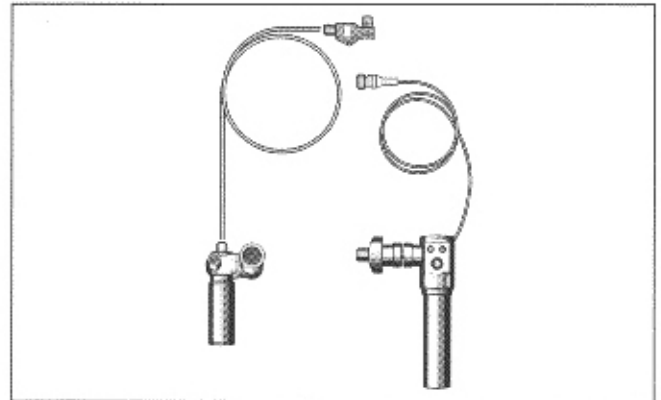


Operating Instructions

Before attempting to connect or operate this product, please read these instructions carefully and save this manual for future use.

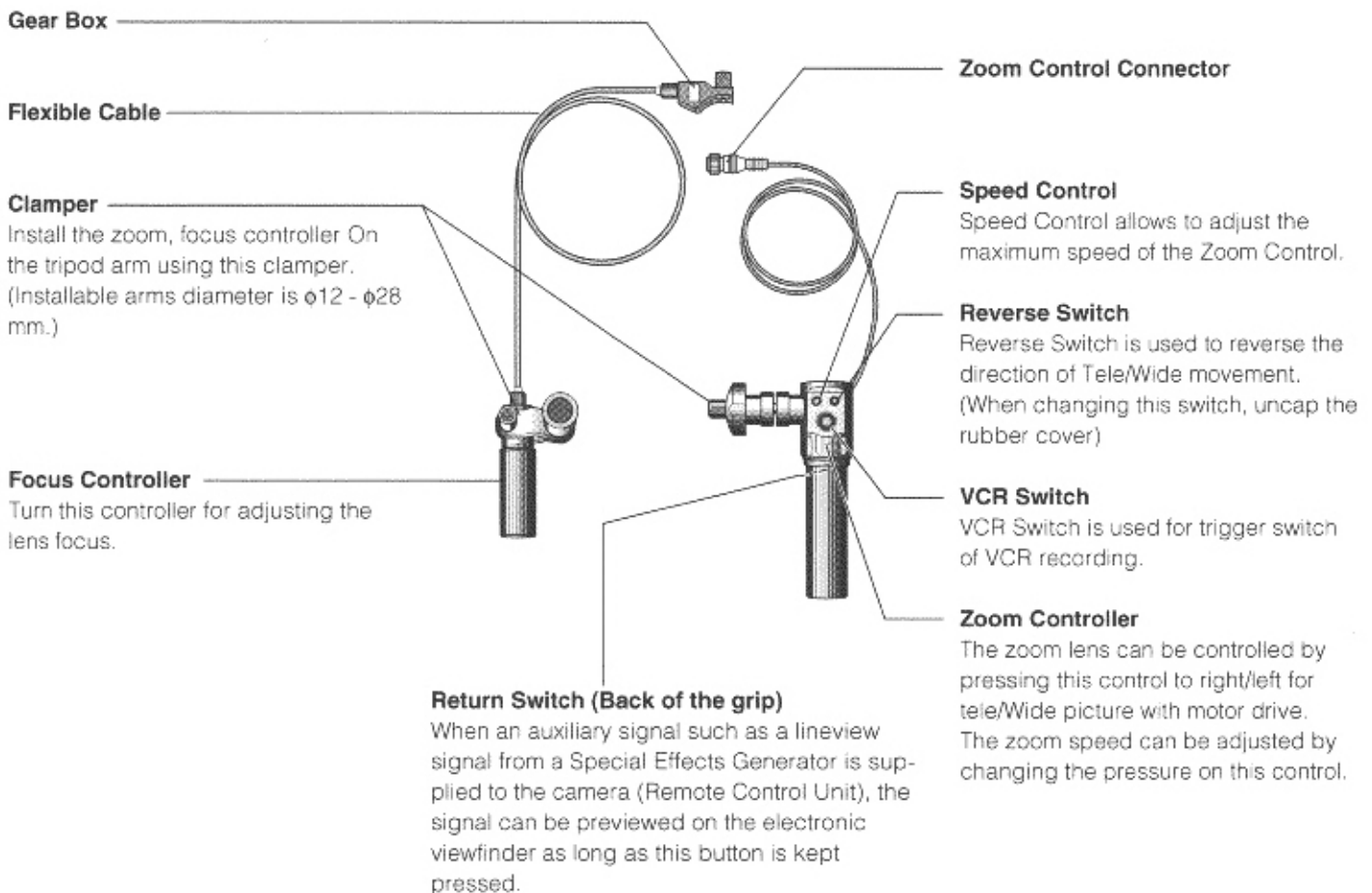
Panasonic®
Lens Control Kit for AW-LZ14ST55
Model No. **AW-LK50**



PREFACE

Panasonic lens control kit AW-LK50 is used to remotely control the servo control zoom lens AW-LZ14ST55 (1/3" 14X) from the rear of camera for the studio application.

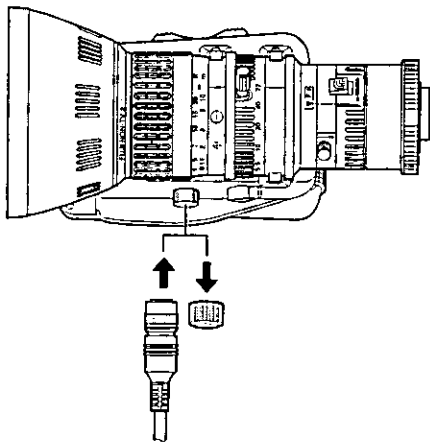
MAJOR OPERATING CONTROLS AND THEIR FUNCTIONS



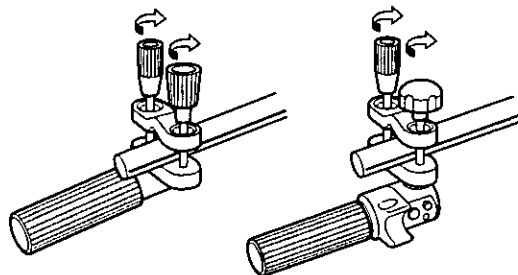
INSTALLATION

- A tripod having double panning arms should be used for the AW-LK50.

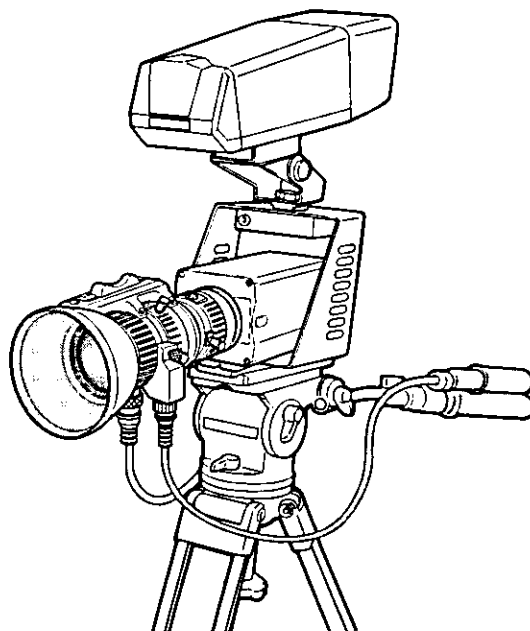
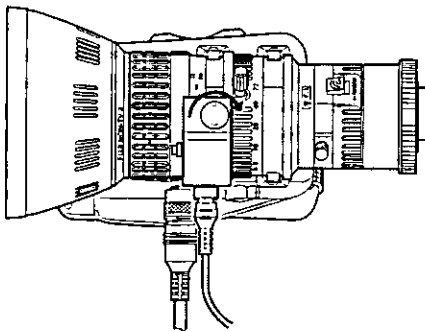
- ① Unscrew the cap for zoom control connector on the zoom lens and connect the zoom control connector.



- ③ Install the zoom controller on the right tripod arm and the focus controller on the left tripod arm.



- ② Install the gear box on the lens and connect the flexible cable to the gear box and the focus controller.



Panasonic

PANASONIC BROADCAST & TELEVISION SYSTEMS COMPANY
DIVISION OF MATSUSHITA ELECTRIC CORPORATION OF AMERICA

Executive Office:

3330 Cahuenga Blvd W., Los Angeles, CA 90048 (213) 436-3500

EASTERN ZONE:

One Panasonic Way 4E-7, Secaucus, NJ 07094 (201) 348-7621

Mid-Atlantic/New England:

One Panasonic Way 4E-7, Secaucus, NJ 07094 (201) 348-7621

Southeast Region:

1225 Northrock Parkway, Ste 1-160, Suwanee, GA 30024 (770) 338-6835

Central Region:

1707 N Randall Road E1-C-1, Elgin, IL 60120 (847) 468-5200

WESTERN ZONE:

3330 Cahuenga Blvd W., Los Angeles, CA 90048 (323) 436-3500

Dallas Region:

6225 Abington Way, Houston, TX 77068 (713) 852-2726

No. CA/Northwest Region:

5870 Stoneridge #3, Pleasanton, CA 94588 (925) 416-5108

Government Marketing Department:

52 West Gude Drive, Rockville, MD 20850 (301) 738-3840

Panasonic Canada Inc.

5770 Ambler Drive, Mississauga, Ontario, L4W 2T9 (905) 624-5010

Panasonic Sales Company

Division of Matsushita Electric of Puerto Rico Inc.

San Gabriel Industrial Park, 66th Street Ave., Km. 6.5, Carolina, Puerto Rico 00980 (787) 760-4300

Free Manuals Download Website

<http://myh66.com>

<http://usermanuals.us>

<http://www.somanuals.com>

<http://www.4manuals.cc>

<http://www.manual-lib.com>

<http://www.404manual.com>

<http://www.luxmanual.com>

<http://aubethermostatmanual.com>

Golf course search by state

<http://golfingnear.com>

Email search by domain

<http://emailbydomain.com>

Auto manuals search

<http://auto.somanuals.com>

TV manuals search

<http://tv.somanuals.com>