

# Panasonic

Digital Proprietary Telephones  
for Digital Super Hybrid Systems

## *Operating Instructions*

Model **KX-T7425**  
**KX-T7433**  
**KX-T7436**  
**KX-T7450**



KX-T7436

Please read this manual before  
using the Digital Proprietary Telephone.

*Thank you for purchasing a Panasonic Telephone.*

## **Accessories**

---

**When unpacking, check the following items.**

Handset .....	one
Telephone line cord .....	one
Handset cord .....	one
Overlay .....	one (KX-T7433, KX-T7436 only)
Card holder with memory station card .....	one (KX-T7425 only)

**Note:**

- In this manual, the suffix of each model number is omitted.
- This device is equipped with pulse dialling while the telecom standard is DTMF tone dialling. There is no guarantee that the Telecom Lines will always continue to support pulse dialling.\*

## **Caution**

---

**When using the KX-T7400 series, keep the following conditions in mind.**

- If there is any problem, unplug the extension line and connect a known working phone. If the known working phone operates properly, have the defective phone repaired by a specified Panasonic Factory Service Centre. If the known working phone does not operate properly, check the Digital Super Hybrid System and the internal extension wiring.
- Keep the unit away from heating appliances and electrical noise generating devices such as fluorescent lamps and motors.
- The unit should be kept free of dust, moisture and vibration, and should not be exposed to direct sunlight.
- Do not use benzine, thinner, or any abrasive powder to clean the cabinet. Wipe it with a soft cloth.
- Do not use any handset other than a Panasonic handset.

**WARNING:**

**TO PREVENT FIRE OR SHOCK HAZARD, DO NOT EXPOSE THIS PRODUCT TO RAIN OR ANY TYPE OF MOISTURE.**

- When a failure occurs which results in the internal parts becoming accessible, disconnect the telephone line cord immediately and return this unit to service center.
- This equipment shall not be set to make automatic calls to telecom 111 Emergency service.\*

**IMPORTANT NOTICE:**

Under power failure conditions, this telephone may not operate. Please ensure that a separate telephone, not dependent on local power, is available for emergency use in emergencies.

\* *The regulation is applied in New Zealand only.*

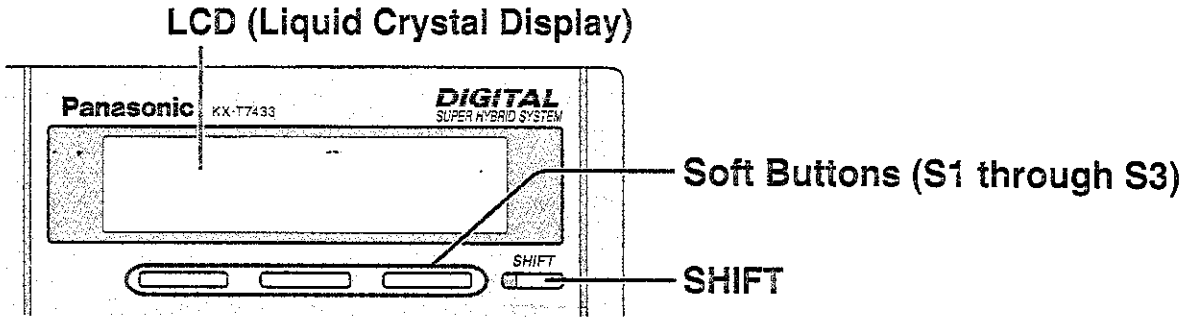
# Contents

---

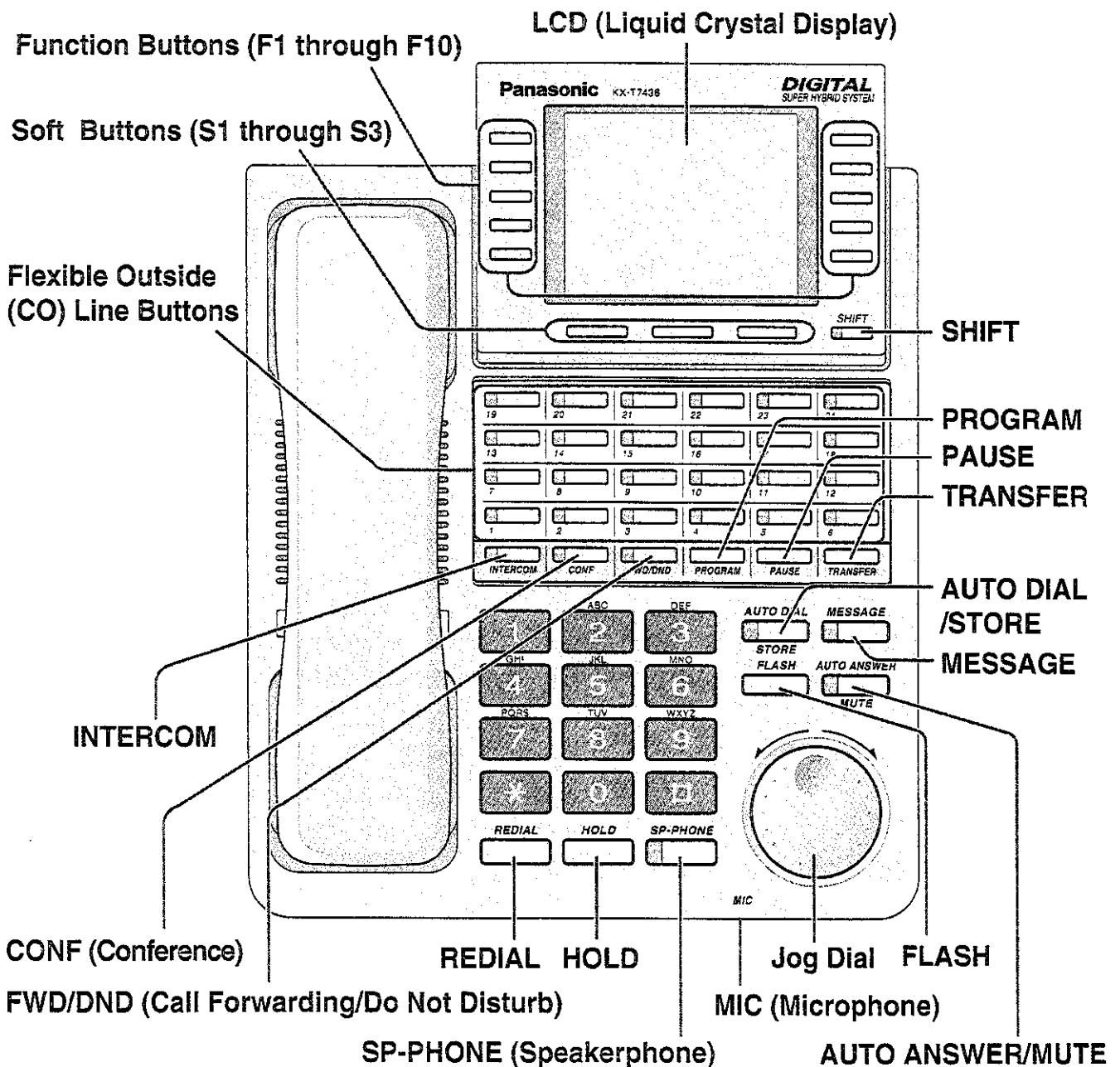
<b>Location of Controls</b> .....	<b>4</b>
<b>Getting Started</b> .....	<b>6</b>
Connection.....	6
Controlling the volume/adjusting the display contrast.....	7
Description of the symbols.....	7
<b>Making Calls</b> .....	<b>8</b>
Calling.....	8
Speed dialing.....	8
One-touch dialing .....	8
Dialing the last number you dialed (Last Number Redial).....	8
<b>Receiving Calls</b> .....	<b>9</b>
Receiving calls .....	9
Handsfree answerback.....	9
Picking up a call for someone else (Call Pickup).....	9
<b>When the Dialed Extension is Busy/No Answer</b> .....	<b>10</b>
Reserving a busy line (Automatic Callback Busy) .....	10
Leaving a call notification (Message Waiting) .....	10
<b>Calling Back</b> .....	<b>11</b>
When you receive a notification (Message Waiting) .....	11
Calling using the call log (Incoming Call Log) .....	11
<b>During a Conversation</b> .....	<b>12</b>
Placing a call on hold.....	12
Off-hook Monitor.....	12
Transferring a call.....	13
Paging .....	13
Paging a person and transferring a call.....	14
Answering an announced page .....	14
Answering a call waiting.....	14
<b>Useful Features</b> .....	<b>15</b>
Forwarding your calls (Call Forwarding).....	15
Preventing others from disturbing you (Do Not Disturb [DND]).....	17
Three-party conversation (Conference).....	17
Ringing tone selection for CO buttons.....	18
Storing numbers for One-touch dialing.....	18
<b>How to Use the Display</b> .....	<b>19</b>
Using the Jog Dial .....	19
KX-T7433.....	20
KX-T7436.....	22
<b>Storing in Speed Dialing</b> .....	<b>24</b>
Storing names and numbers at your extension for personal use.....	24
Storing names and numbers in the system .....	26
<b>Wall Mounting</b> .....	<b>27</b>
<b>Installing the Card Holder</b> .....	<b>28</b>
<b>Features List</b> .....	<b>29</b>

# Location of Controls

## KX-T7433

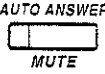
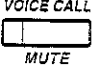

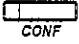
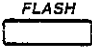
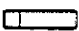
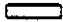
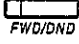






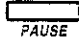


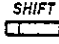
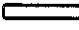



## KX-T7436



\* The display is not available for the KX-T7425.

The display and Microphone are not available for the KX-T7450.

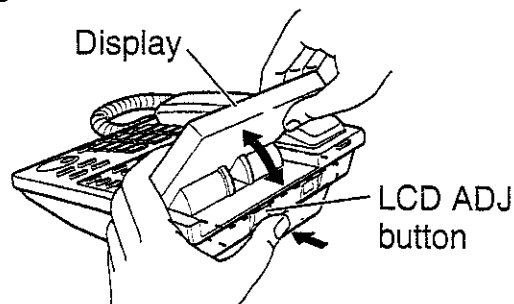
- AUTO ANSWER**  
 Used to answer an intercom call automatically.
- VOICE CALL (KX-T7450 only)**  
 Used to monitor an intercom call automatically.
- MUTE**  
 Used to listen to the other party without them hearing you. You can mute the handset microphone or the microphone.
- 
- AUTO DIAL/STORE**  
 Used for speed dialing in the system or storing program changes.
- CONF**  
 Used to make a three-party conference.
- FLASH**  
 Used to disconnect the current call and make another call with holding the same outside line.
- Flexible Outside (CO) Line Button**  
 Used to make or receive an outside call, or access a feature if the button is assigned as a One-touch dialing button.
- Function Button**  
 Used to perform the displayed function or operation.
- FWD/DND**  
 Used to perform Call Forwarding or Do Not Disturb.
- HOLD**  
 Used to place a call on hold.

- INTERCOM**  
 Used to make or receive intercom calls.
- 
- Jog Dial**  
 Used to search the stored telephone numbers or system features and adjust the volume or the display contrast.
- 
- MESSAGE**  
 Used to leave a notification or call back the party who left the notification.
- 
- PAUSE**  
 Used to insert a pause in speed dial numbers or in other numbers.
- 
- PROGRAM**  
 Used to enter and exit the programming mode.
- 
- REDIAL**  
 Used to redial.
- 
- SHIFT**  
 Used to alternate the sub function on the display.
- 
- Soft Button**  
 Used to perform the function or operation that appears on the bottom line of the display.
- 
- SP-PHONE**  
 Used for the handsfree operation.
- MONITOR (KX-T7450 only)**  
 Used for the handsfree dialing. You can monitor the party's voice handsfree.
- 
- TRANSFER**  
 Used to transfer a call to another party.

### For KX-T7433 and KX-T7436 Users

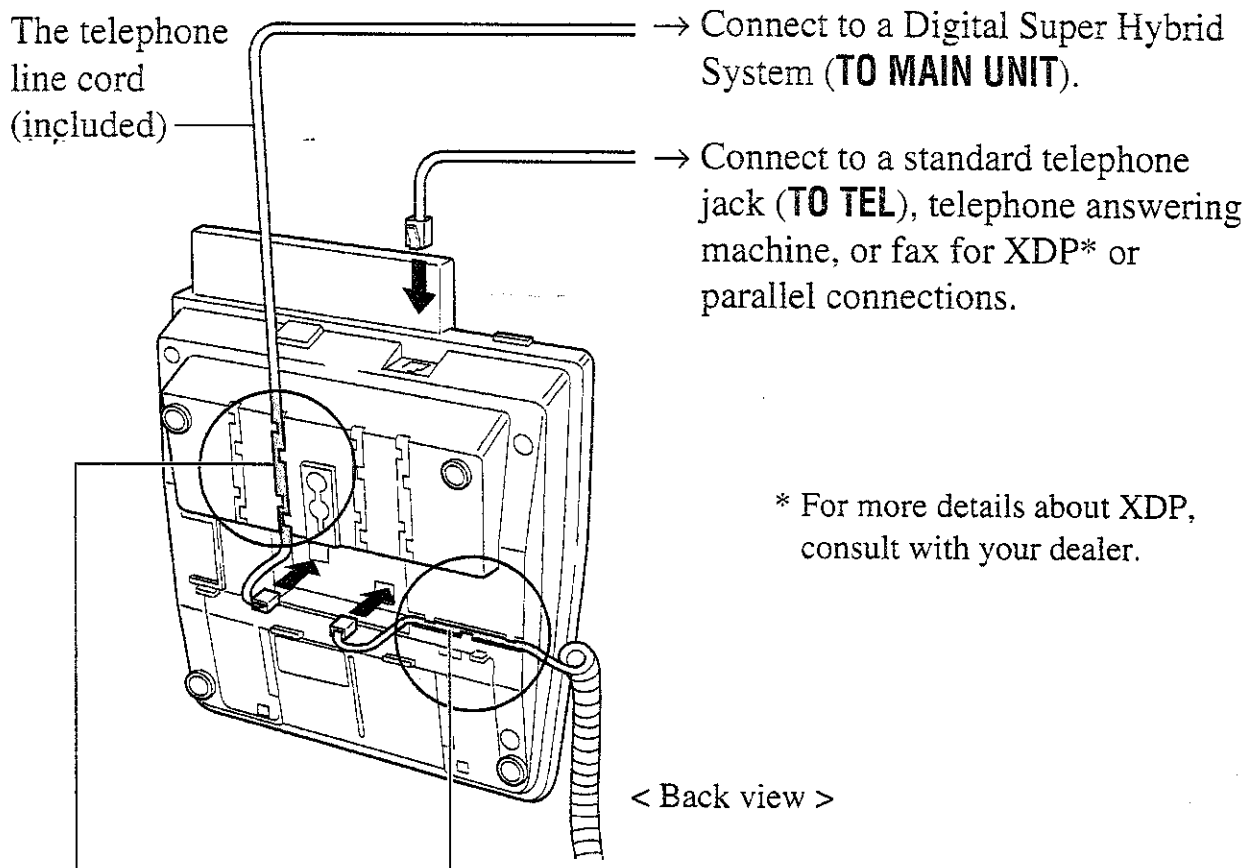
The display can be adjusted.

- 1 Press the **LCD ADJ** button.
- 2 Lift or put down the display.



# Getting Started

## ■ Connection



### CAUTION

Ensure the cords are inserted in the grooves to prevent damage to the connectors.

### Helpful hints for the handsfree operation

- **If the other party's voice is difficult to hear:**  
Raise the sound level using the speaker volume control.
- **If the other party has difficulty hearing you:**  
Lower the speaker volume.
- **Absorbing echoes:**  
Use this unit in a room which has curtains and/or carpeting.
- **To avoid missing part of the conversation:**  
If you and the other party speak at the same time, parts of your conversation will be lost. To avoid this, speak alternately.

## ■ Controlling the volume/adjusting the display contrast

### Speaker volume

- 1 Press the **SP-PHONE/MONITOR** button.
- 2 Rotate the **Jog Dial** in the desired direction.

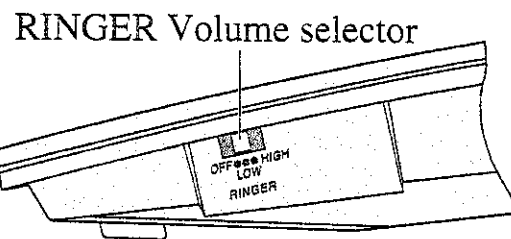
### Handset/Headset volume

- 1 Lift the handset.  
(Press the **SP-PHONE/MONITOR** button for headset volume.)
- 2 Rotate the **Jog Dial** in the desired direction.

### For KX-T7425 and KX-T7450 Users

#### Ringer volume

- 1 Adjust the **RINGER Volume selector** lever to the desired setting (**OFF/LOW/HIGH**).



<Side view of the KX-T7425 and KX-T7450>

### For KX-T7433 and KX-T7436 Users

#### Display contrast

*While on-hook or during a conversation*

- 1 Press the **CONT (S1)** button.  
Display: Contrast: \* \* \*
- 2 Rotate the **Jog Dial** in the desired direction.

#### Ringer volume

*While idle and on-hook*

- 1 Press the **RING (S2)** button.  
Display: Ringer: \* \* \*
- 2 Rotate the **Jog Dial** in the desired direction.

## ■ Description of the symbols

In this manual, many symbols are used. Some of the symbols are described below.



#### Off-hook

- Lift the handset.  
or
- Press the **SP-PHONE** button.  
or
- Press the **MONITOR** button.  
(To start talking, lift the handset.)



Press the desired number keys on the telephone.



#### On-hook

- Replace the handset.  
or
- Press the **SP-PHONE** button.  
or
- Press the **MONITOR** button.

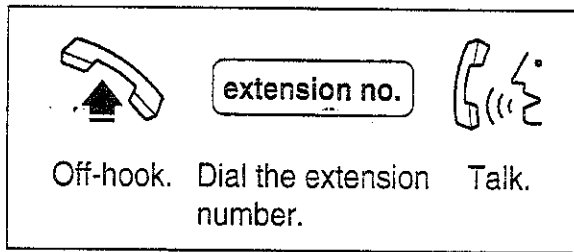


Various tones are heard depending on the operation.

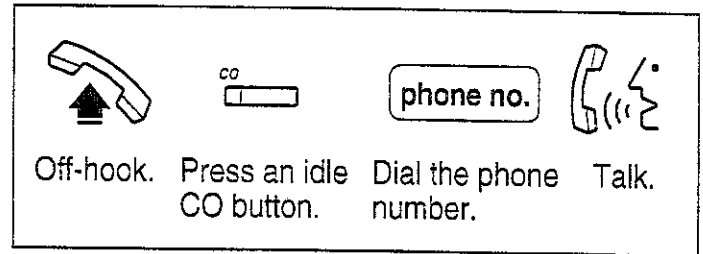
# Making Calls

## Calling

### To an extension

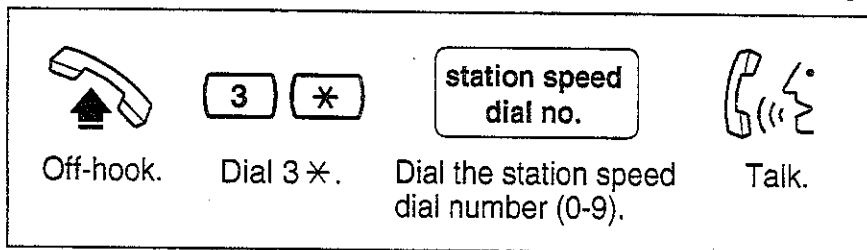


### To an external party



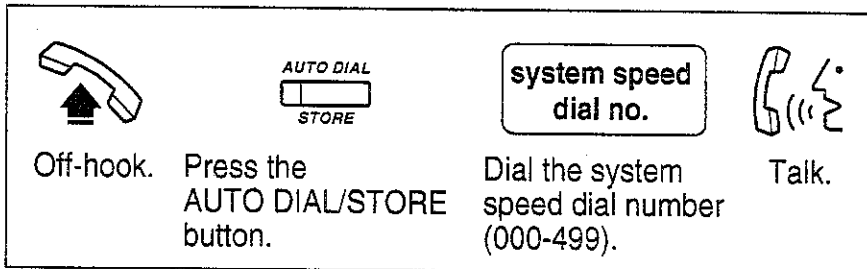
## Speed dialing

### Using a speed dial number stored in your telephone



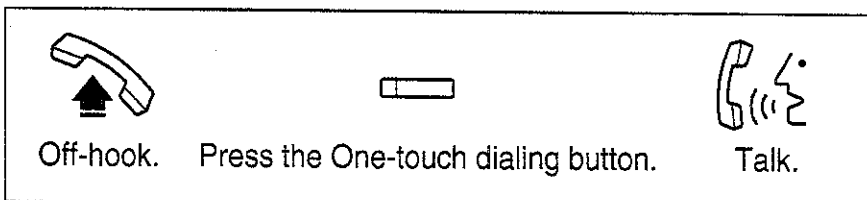
*To store numbers, refer to page 24.*

### Using a speed dial number stored in the system



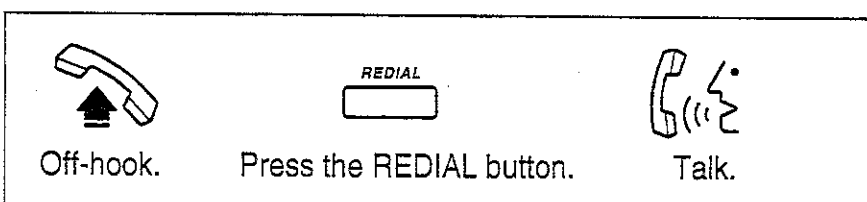
*To store numbers, refer to page 26.*

## One-touch dialing



*To store numbers, refer to page 18.*

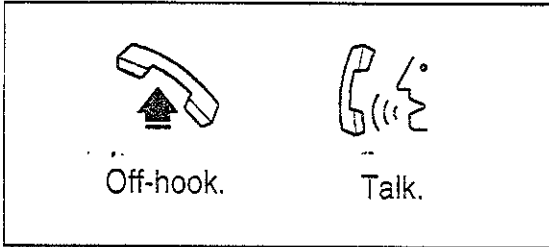
## Dialing the last number you dialed (Last Number Redial)





# Receiving Calls

## Receiving calls



*If your telephone rings,*

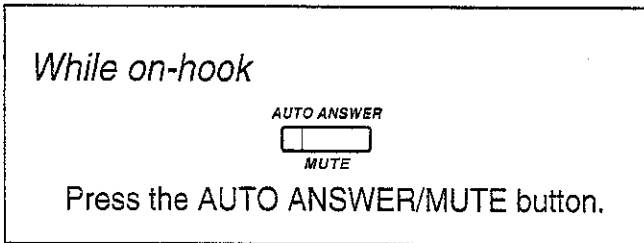
- *Lift the handset or press the SP-PHONE/MONITOR button.*  
*(Default: The ringing line is selected.)*
- *Press the rapid flashing green outside (CO) line button or rapid flashing INTERCOM button.*

## Handsfree answerback

You can answer an intercom call without lifting the handset.  
The AUTO ANSWER/MUTE button light shows the current status as follows.

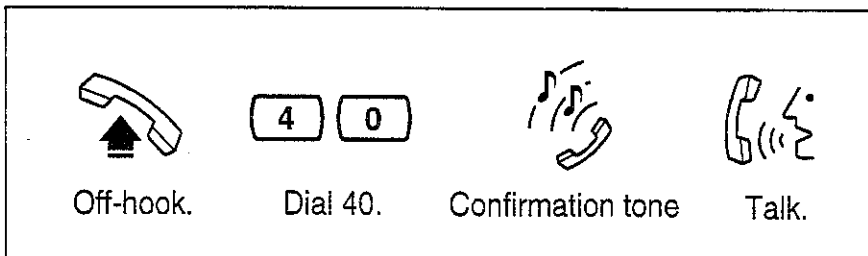
- On:** Set
- Off:** Not set

### To set / cancel



## Picking up a call for someone else (Call Pickup)

You can answer an incoming call that is ringing at another extension from your telephone. A call within your extension group can be picked up.



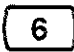


# When the Dialed Extension is Busy/No Answer



## Reserving a busy line (Automatic Callback Busy)

You can receive a notification when a busy extension becomes free.  
To answer the notification, lift the handset or press the SP-PHONE/MONITOR button. The called extension starts ringing automatically.

### To set


*When hearing a busy tone*

Dial 6 or press the C.BCK (S3) button.\*<sup>1</sup>   Confirmation tone On-hook.

### To answer and call\*<sup>2</sup>

*If you hear call back ringing*

 Off-hook.

The extension is called automatically.

\*<sup>1</sup> The C.BCK (S3) button is only available for KX-T7433 and KX-T7436 users.


\*<sup>2</sup> If you do not answer after four callback rings, this feature will be canceled.



## Leaving a call notification (Message Waiting)

When the called extension is busy or does not answer, you can leave a notification to have the called extension call you back.



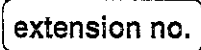


### To leave a notification

*When the called extension is busy or does not answer*



Press the MESSAGE button.   Confirmation tone On-hook.

### To cancel a notification

 Off-hook.  Dial 700.  Dial the extension number.   Confirmation tone On-hook.

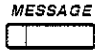
# Calling Back

## ■ When you receive a notification (Message Waiting)

The MESSAGE button lights to let you know that a call has been received.


### To check and select the party (display telephone only)

*While on-hook*

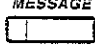


Press the MESSAGE button until the desired message appears.


### To call back



Off-hook.




Press the MESSAGE button.

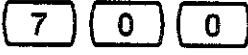


Talk.


### To clear all notifications




Off-hook.




Dial 700.



Enter your extension number.



Confirmation tone



On-hook.

## ■ Calling using the call log (Incoming Call Log) (KX-T7433/KX-T7436 only)


If you do not answer a call, your telephone automatically records the incoming outside call information with the CLIP (Calling Line Identification Presentation) service\*. You can also record the existing call during a conversation or call back the logged numbers. To confirm or call back using the call log, refer to pages 21 (for KX-T7433) and 23 (for KX-T7436).

\* The CLIP service provides you with the caller's telephone number.

For more details, consult with your dealer.

### To record the information of an existing call

*During a conversation*



Press the LOG (S2) button.

# During a Conversation

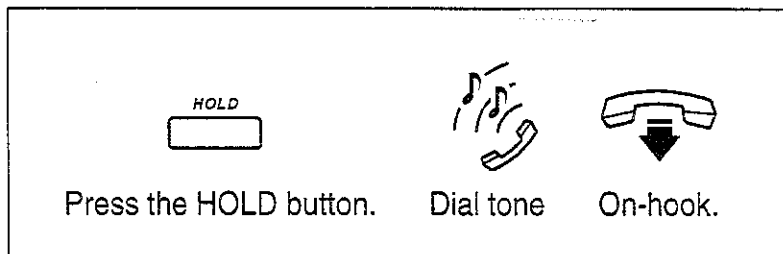
## Placing a call on hold

The corresponding outside (CO) line button or the INTERCOM button lights show the current status as follows.

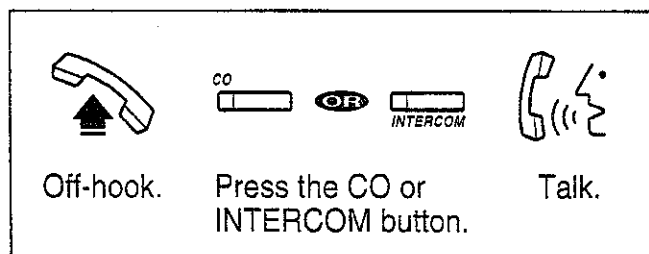
**Flashing green slowly:** Your held call

**Flashing red slowly:** Another extension's held call

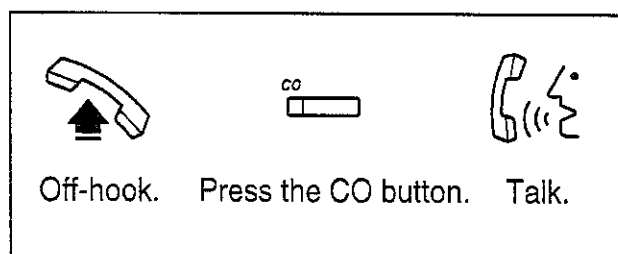
### Holding



### To retrieve a call at the holding extension\*1



### To retrieve an outside call from another extension\*1

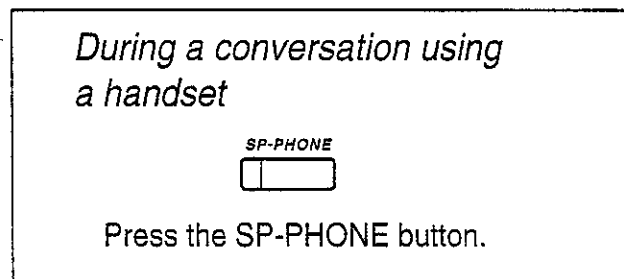


\*1 *If a call is not retrieved within a specified time, you will hear an alarm as a reminder.*

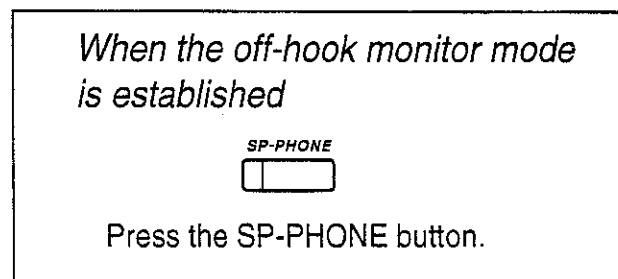
## Off-hook Monitor (KX-T7433/KX-T7436 only)

You can make other users listen to the conversation through the built-in speaker, while continuing the conversation using the handset.\*2

### To set



### To cancel



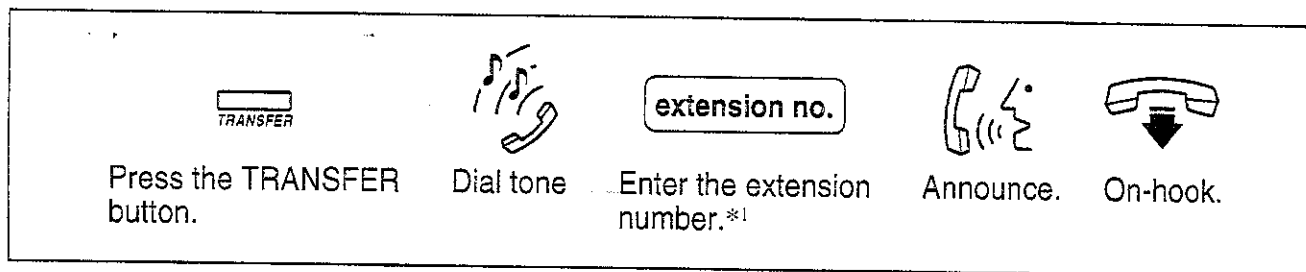
\*2 *This is only available during a conversation with the handset.*



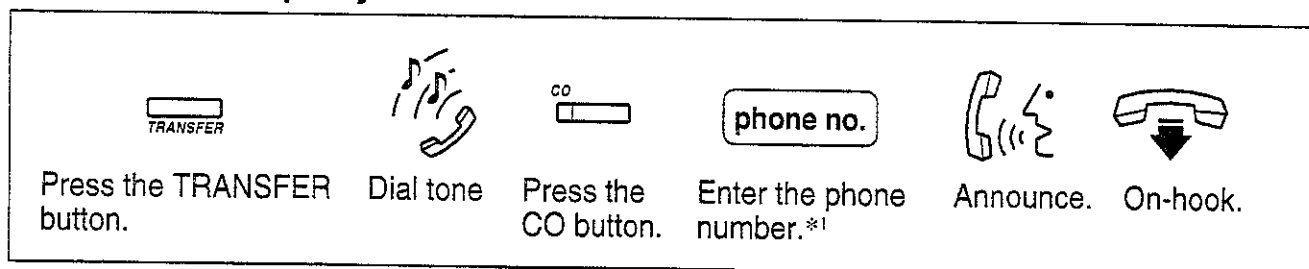
## Transferring a call

### Using the TRANSFER button

#### To an extension



#### To an external party \*<sup>2</sup>



\*<sup>1</sup> To retrieve the held call, press the TRANSFER button, corresponding Outside (CO) line button, or the INTERCOM button.

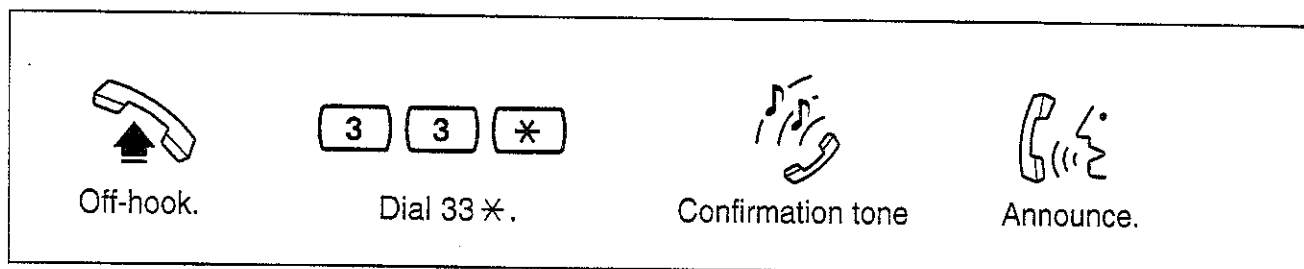
\*<sup>2</sup> Transferring a call to an external party may be restricted by System Programming.

## Through Paging

Refer to page 14, "Paging a person and transferring a call".

## Paging

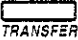
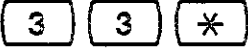



You can make a voice announcement to all people in the office through the telephone speaker and external speaker at the same time.



# During a Conversation

## Paging a person and transferring a call

*During a conversation*

Press the TRANSFER button.

Dial 33\*.





Confirmation tone

Announce and wait for an answer.

On-hook.

## Answering an announced page

**Through a telephone speaker**


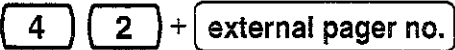


Off-hook.

Dial 43.

Confirmation tone

Talk.

**Through an external speaker**

Off-hook.

Dial 42 and the external pager number.






Confirmation tone

Talk.

## Answering a call waiting

During a conversation, a call waiting tone occurs when an outside call is received or another extension is letting you know that another call is waiting. (Default: Cancel)

### To set / cancel

Off-hook.

To set: Dial 7311.

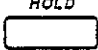


To cancel: Dial 7310.

Confirmation tone

On-hook.

### To talk to the new party

*While hearing a tone*

Press the HOLD button.\*<sup>1</sup> Press the CO or INTERCOM button.\*<sup>2</sup>

- \*<sup>1</sup> If you terminate the current call, disregard this step.
- \*<sup>2</sup> If both parties are extensions, disregard this step.

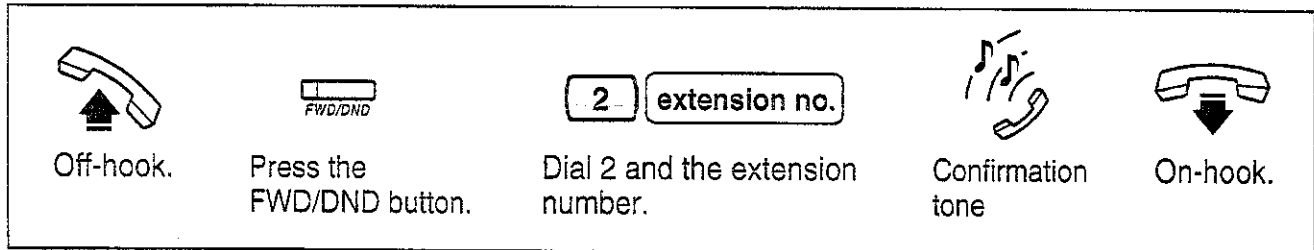
# Useful Features

## ■ Forwarding your calls (Call Forwarding)

You can have your incoming calls forwarded to another extension or external party.

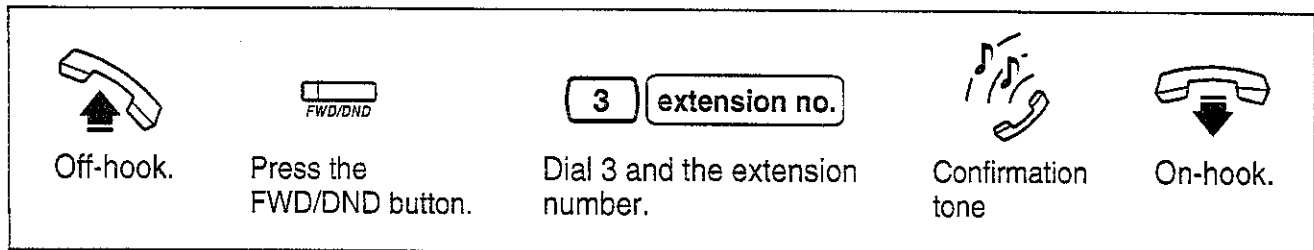
### All calls

All calls are forwarded to another extension.



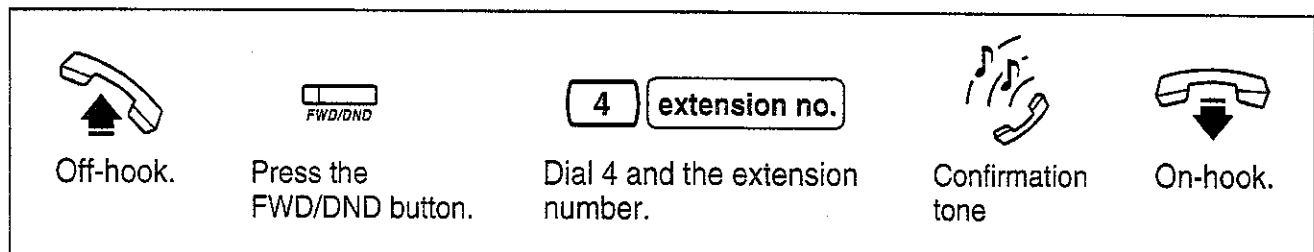
### Busy

All calls are forwarded to another extension when your extension is busy.



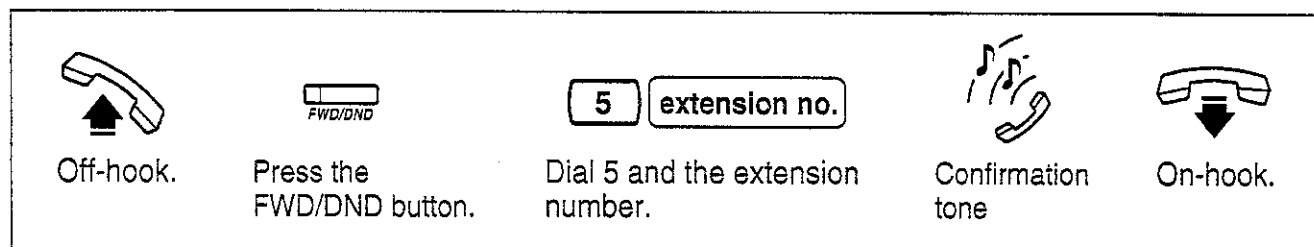
### No answer

All calls are forwarded to another extension when you do not answer the call.



### Busy/No answer (BSY/NA)


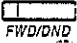


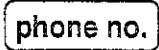



All calls are forwarded to another extension when you do not answer or when your extension is busy.



# Useful Features


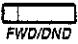




## To outside (CO) line

All calls are forwarded to an external party. Some extensions may be restricted.


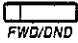



		   		
Off-hook.	Press the FWD/DND button.	Dial 69, the phone number and #.	Confirmation tone	On-hook.

## Follow Me (From)


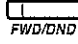




All calls are forwarded to another extension which you set to receive your calls at the receiving extension.

		 		
Off-hook.	Press the FWD/DND button.	Dial 7 and your extension number.	Confirmation tone	On-hook.

## Canceling (except Follow Me)

				
Off-hook.	Press the FWD/DND button.	Dial 0.	Confirmation tone	On-hook.



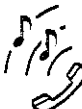

## Canceling Follow Me

		 		
Off-hook.	Press the FWD/DND button.	Dial 8 and your extension number.	Confirmation tone	On-hook.



## Preventing others from disturbing you (Do Not Disturb [DND])

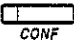

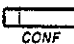

During a meeting or when you are busy, you can refuse an incoming call.

		<table border="1" data-bbox="690 458 990 567"> <tr> <td>1</td> <td>To set</td> </tr> <tr> <td>0</td> <td>To cancel</td> </tr> </table>	1	To set	0	To cancel		
1	To set							
0	To cancel							
Off-hook.	Press the FWD/DND button.	To set: Dial 1. To cancel: Dial 0.	Confirmation tone	On-hook.				

## Three-party conversation (Conference)

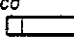



You can add another party during a conversation.

### Adding a third party during a conversation


	<table border="1" data-bbox="454 1081 690 1146"> <tr> <td>third party's no.</td> </tr> </table>	third party's no.			
third party's no.					
Press the CONF button.	Enter the third party's number.*1	Talk to the third party.	Press the CONF button.	Confirmation tone	

\*1 *To add an external party, press an outside (CO) line button and dial the phone number.*

### To talk to one party by terminating the other

			
Press the CO or INTERCOM button.*2			Confirmation tone

### Leaving a conference


On-hook.




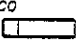
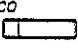
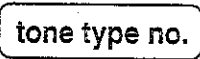
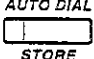

\*2 *This is only available for a combination of one extension and two outside (CO) lines or two extensions and one outside (CO) line.*

# Useful Features

## ■ Ringing tone selection for CO buttons

You can select the desired ringer frequency for each outside (CO) line button.

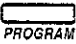
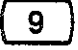

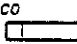
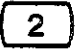
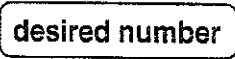
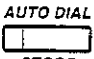

### To program

	 	 			
Press the PROGRAM button.	Dial 99.	Press the desired CO button twice.	Enter the tone type number (1 through 8).	Press the AUTO DIAL/STORE button.	Press the PROGRAM button.

## ■ Storing numbers for One-touch dialing

The stored number is dialed automatically by pressing an outside (CO) line button which is assigned as a one-touch dialing button.

### To program

	 					
Press the PROGRAM button.	Dial 99.	Press the desired CO button.	Dial 2.	Enter the desired number.	Press the AUTO DIAL/STORE button.	Press the PROGRAM button.

# How to Use the Display

---

## ■ Using the Jog Dial

Using the display message and the Jog Dial, KX-T7433, KX-T7436 users can make a call or operate the features without programming the feature numbers.

<b>Extension Dialing</b>	You can make an intercom call using the directory.	Only items which have a name assigned are displayed in alphabetical order.
<b>System Speed Dialing</b>	You can make a call to a party stored in the system using the directory.	
<b>Station Speed Dialing</b>	You can make a call to a party stored in your telephone using the directory.	Items which have a name assigned are displayed by priority in stored order. If a name is not assigned, the number is displayed.
<b>System Feature Access</b>	You can access the features which are displayed in alphabetical order.*	

*\* For more details about the accessible features, refer to your Digital Super Hybrid system manual or consult with your dealer.*

# How to Use the Display

## KX-T7433

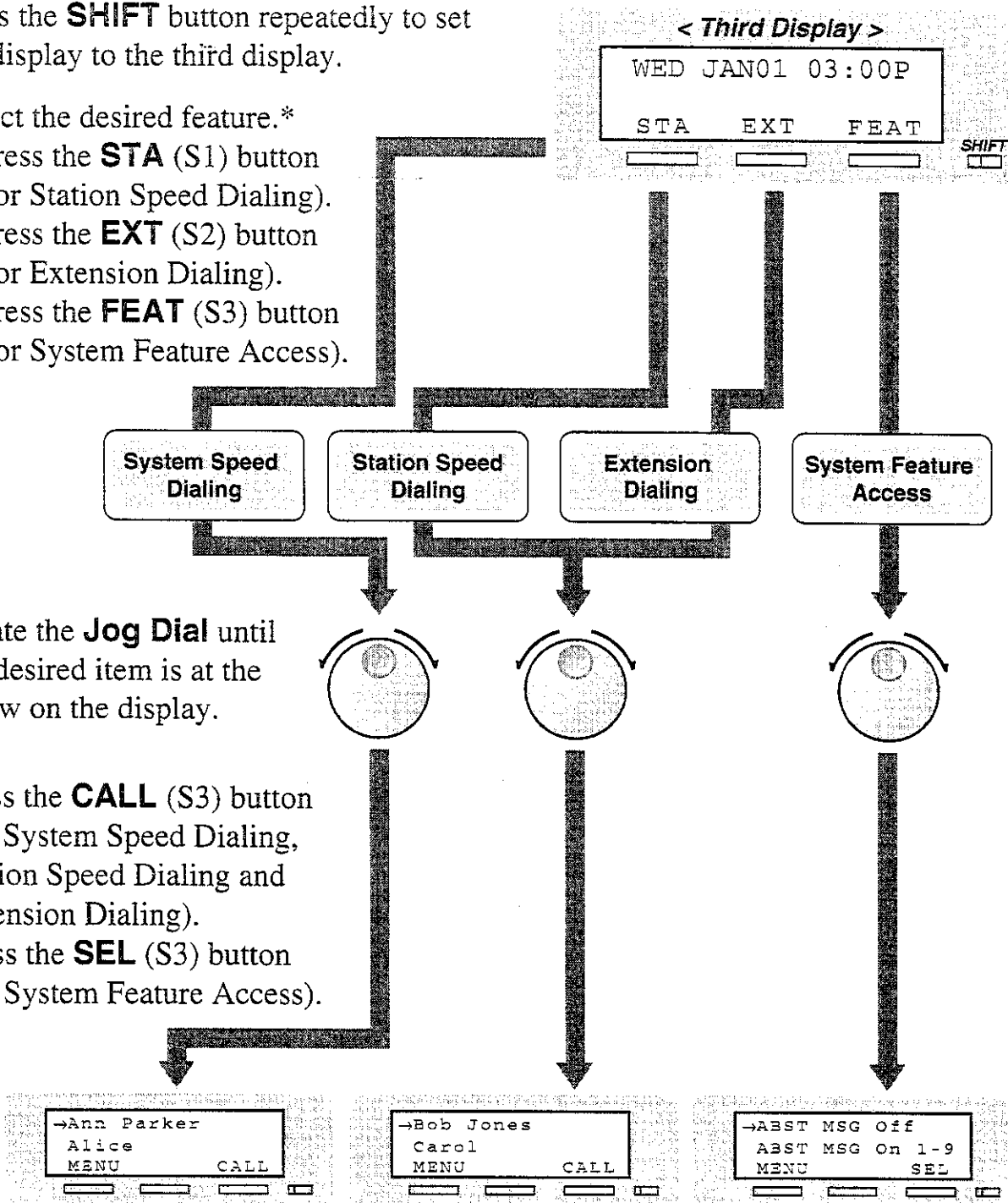
### Operating the feature

1 Press the **SHIFT** button repeatedly to set the display to the third display.

- 2 Select the desired feature.\*
- Press the **STA** (S1) button (for Station Speed Dialing).
  - Press the **EXT** (S2) button (for Extension Dialing).
  - Press the **FEAT** (S3) button (for System Feature Access).

3 Rotate the **Jog Dial** until the desired item is at the arrow on the display.

- 4 • Press the **CALL** (S3) button (for System Speed Dialing, Station Speed Dialing and Extension Dialing).
- Press the **SEL** (S3) button (for System Feature Access).



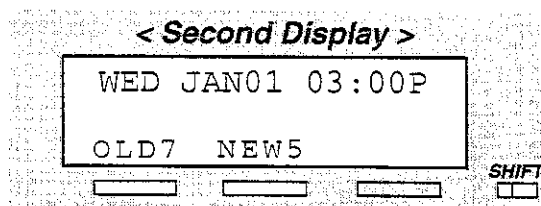
5 Enter a parameter, if required or follow the procedure for standard operation (for System Feature Access only).

\* Step 2 can be skipped for System Speed Dialing.

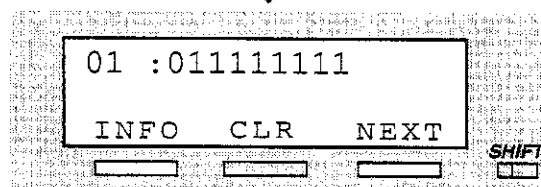


## Confirming and calling back using the call log

- 1 Press the **SHIFT** button to set the display to the second display.
- 2 Select the desired call log.
  - Press the **OLD** (S1) button to see the confirmed information.
  - Press the **NEW** (S2) button to see the unconfirmed information.
- 3
  - Press the **INFO** (S1) button to see the information in detail.
  - Press the **NEXT** (S3) button to see another caller's information.



4 The sequence number and caller's number are displayed.



### Pressing the INFO button provides you with more information.

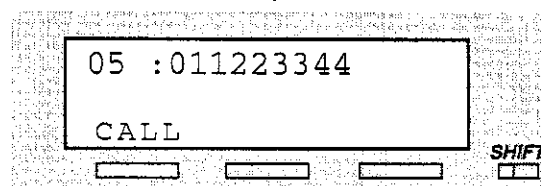
- Once: sequence number/caller's name
- Twice: date/time/number of times called (30 times max.)
- Three times: outside line number /outside line name

To see another caller's information

- 4 Off-hook.



- 5 Press the **CALL** (S1) button.



# How to Use the Display

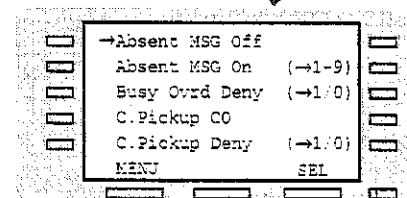
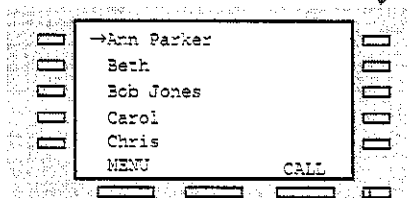
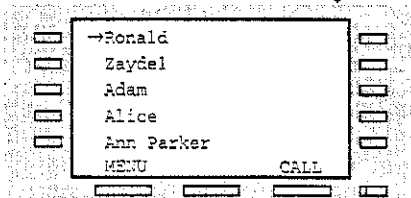
## KX-T7436

### Operating the feature

- 1 Press the **SHIFT** button repeatedly to set the display to the third display.
- 2 Select the desired feature.\*
  - Press the **STA** (S1) button (for Station Speed Dialing).
  - Press the **EXT** (S2) button (for Extension Dialing).
  - Press the **FEAT** (S3) button (for System Feature Access).

- 3 Rotate the **Jog Dial** until the desired item is at the arrow on the display.

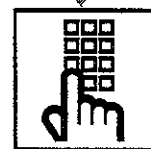
- 4
  - Press the **CALL** (S3) button (for System Speed Dialing, Station Speed Dialing and Extension Dialing).
  - Press the **SEL** (S3) button (for System Feature Access). Or press the corresponding buttons on the side of the display (Function button).



- 5 Enter a parameter if required or follow the procedure for standard operation (for System Feature Access only).

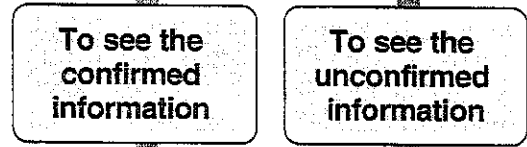
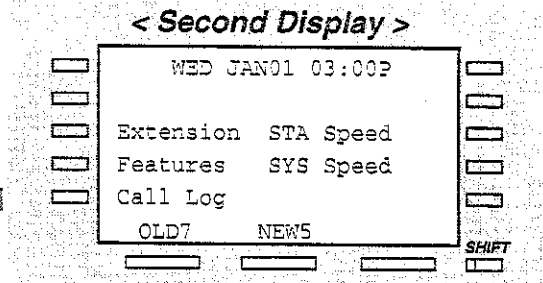
\* Step 2 can be skipped for System Speed Dialing.

If a parameter is required, the parameter will flash.



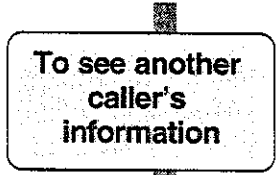
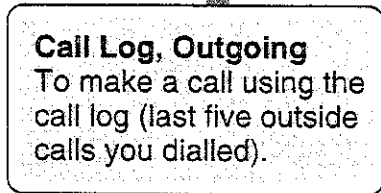
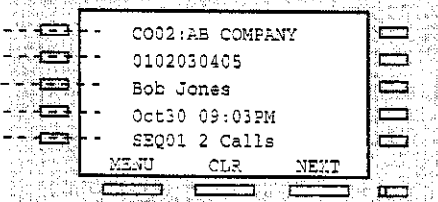
## Confirming and calling back using the call log

- 1 Press the **SHIFT** button to set the display to the second display.
- 2 Select the desired call log.
  - Press the Function button (call log) to call a number previously dialed (for the outgoing call log).
  - Press the **OLD** (S1) button to see the confirmed call information you received.
  - Press the **NEW** (S2) button to see the unconfirmed call information you received.

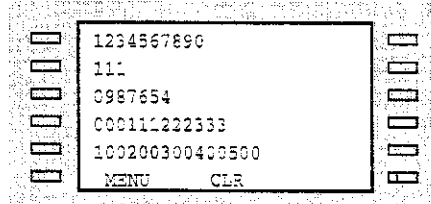


- 3 Press the **NEXT** (S3) button to see another caller's information.\*

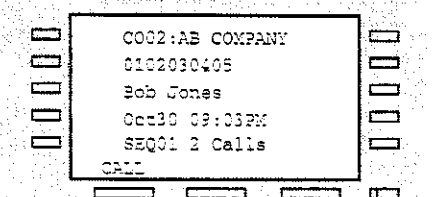
Outside line number/name  
 Caller's telephone number  
 Caller's name  
 Date and time  
 Sequence number (01-30)  
 /number of times called  
 (30 times max.)



- 4
  - Press the corresponding button on the side of the display (for the outgoing call log).
  - Off-hook (for the incoming call log).



- 5 Press the **CALL** (S1) button.\*

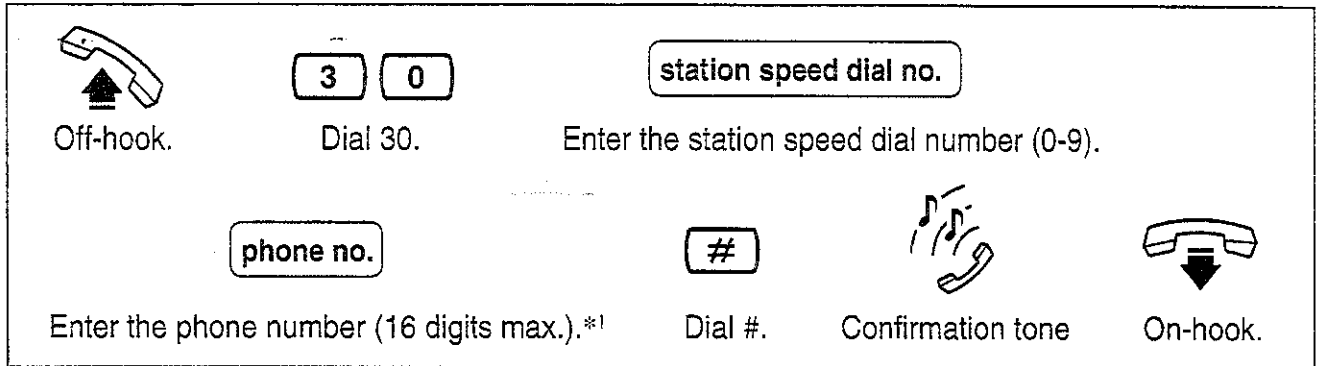


\* Step 3 and 5 can be skipped for the outgoing call log.

# Storing in Speed Dialing

## Storing names and numbers at your extension for personal use

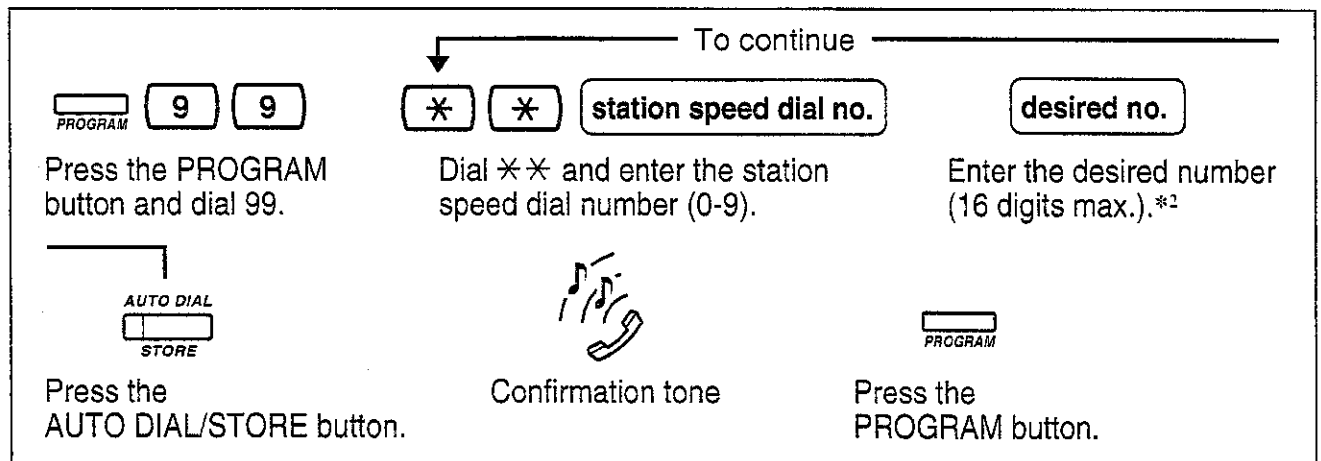
### To store a phone number



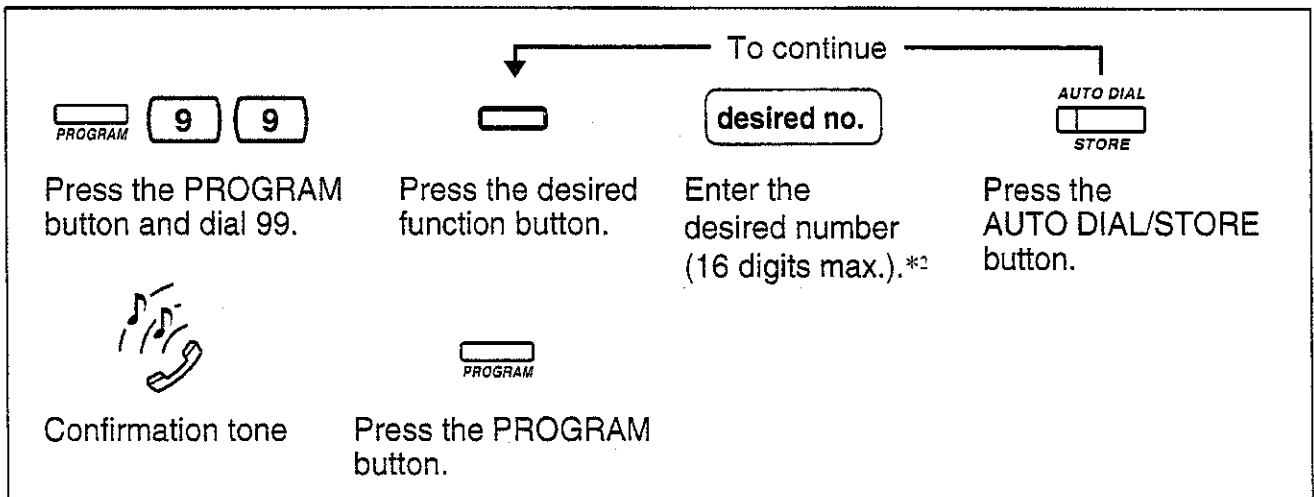
\*<sup>1</sup> “\* ” and PAUSE can be also stored as digits.

### To store a phone number

– For KX-T7433 users



– For KX-T7436 users



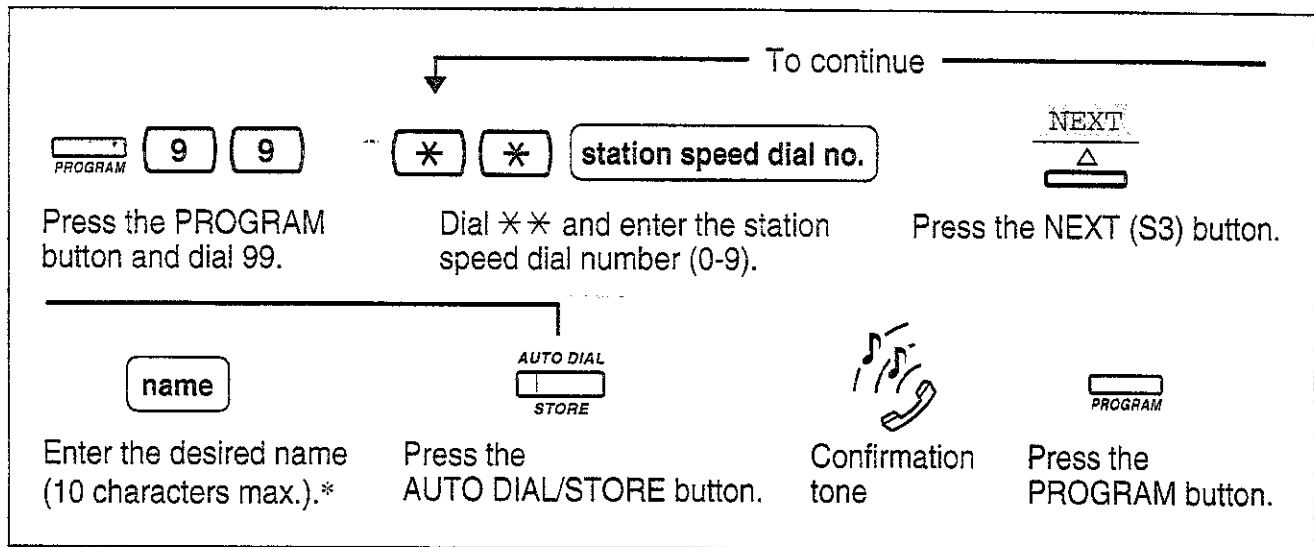
\*<sup>2</sup> “\* ”, “#”, FLASH, SECRET (INTERCOM), -(CONF) and PAUSE can be also stored.



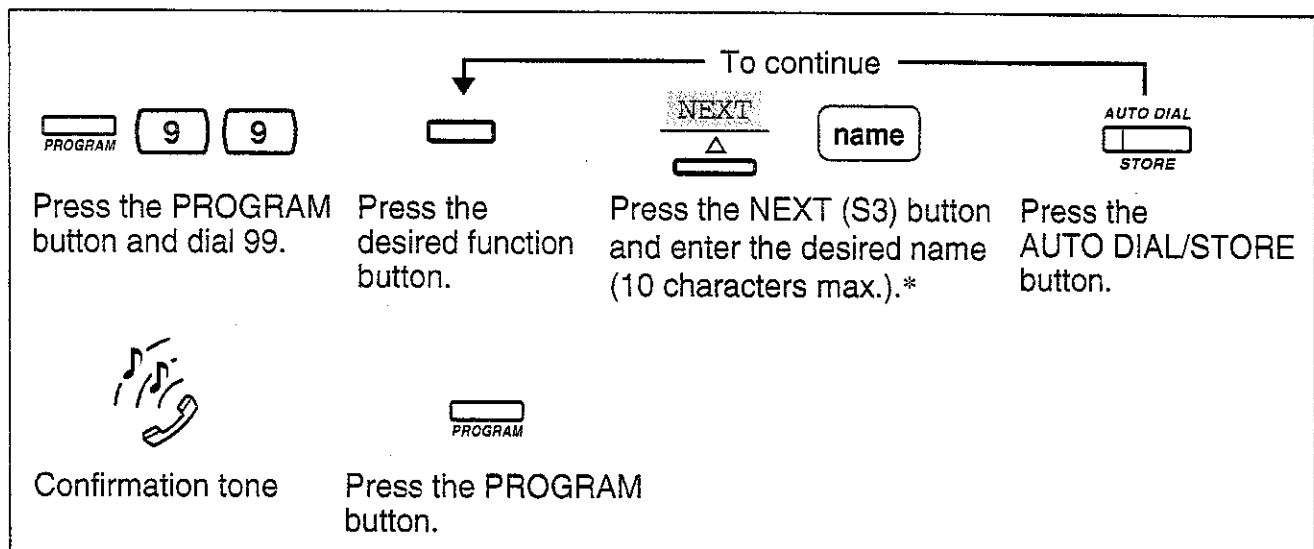


## To store a name

– For KX-T7433 users



– For KX-T7436 users



\* To enter characters, press 2 and rotate the Jog Dial to select the character. You can continue entering characters by pressing 2 and using the jog dial repeatedly. To correct a wrong entry, press the TRANSFER button and enter the new one.

### Example: To enter “Mike”

- 1 Press 2, rotate the Jog Dial to enter “M”.
- 2 Press 2, rotate the Jog Dial to enter “i”.
- 3 Press 2, rotate the Jog Dial to enter “k”.
- 4 Press 2, rotate the Jog Dial to enter “e”.

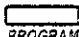

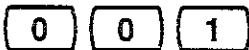

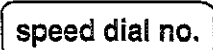
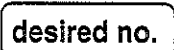


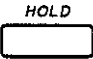

# Storing in Speed Dialing

## Storing names and numbers in the system



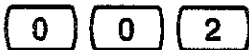

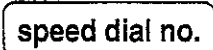

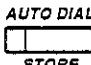

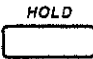
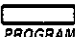
(KX-T7433/KX-T7436 only)

As the stored numbers can be used by all of the users in the system, confirm the stored entries with other users.

### To store a phone number

 PROGRAM		User Password	
Press the PROGRAM button.	Dial * * .	Enter the user password.	Dial 001.
			
Press the SP-PHONE or NEXT (S3) button.	Enter the speed dial number (000-499).	Enter the desired number (24 digits max.).	
			
Press the AUTO DIAL/STORE button.	Confirmation tone*	Press the HOLD button.	Press the PROGRAM button.

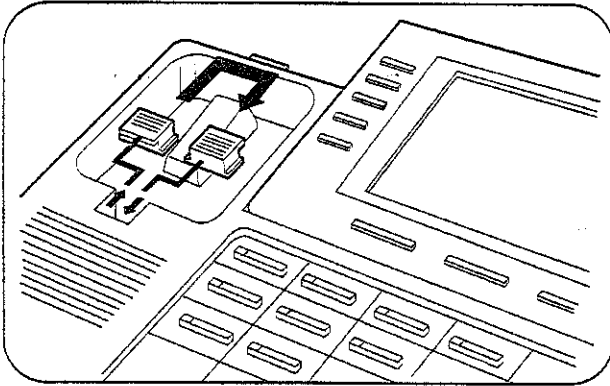
### To store a name

 PROGRAM		User Password	
Press the PROGRAM button.	Dial * * .	Enter the user password.	Dial 002.
			
Press the SP-PHONE or NEXT (S3) button.	Enter the speed dial number (000-499).	Enter the desired name (10 characters max.).	
			
Press the AUTO DIAL/STORE button.	Confirmation tone*	Press the HOLD button.	Press the PROGRAM button.

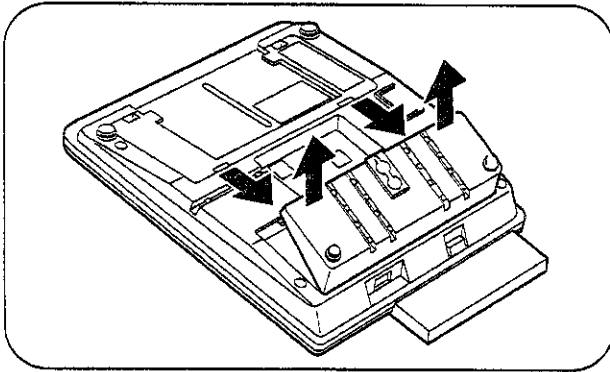
\* You can continue entering the number/name by pressing the NEXT (S3) or SP-PHONE button after the confirmation tone.

# Wall Mounting

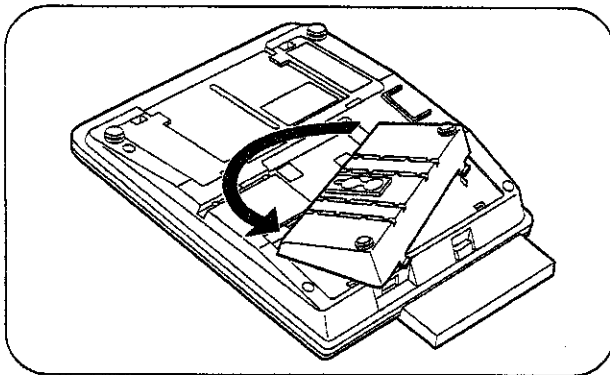
- 1** Remove the handset hook by pulling it toward the top of the unit. Turn it around and re-insert it.



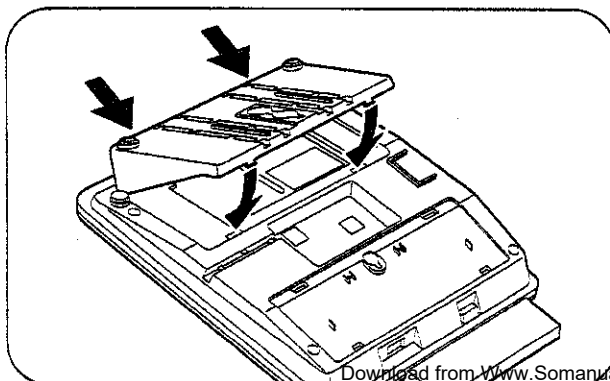
- 2** Remove the attached stand.



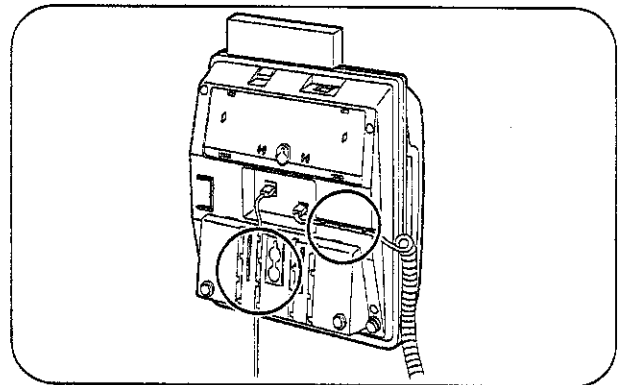
- 3** Turn it around 180 degrees.



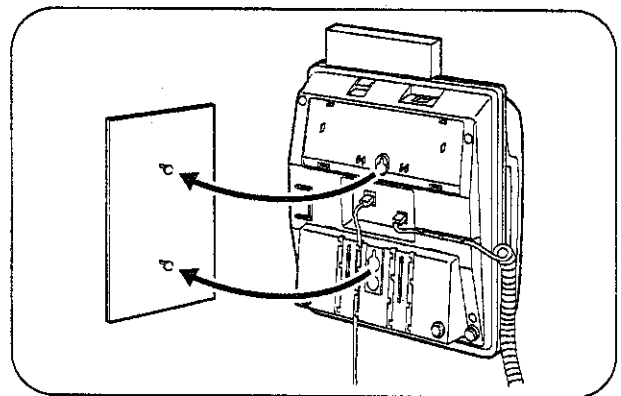
- 4** Insert the stand in the center slots.



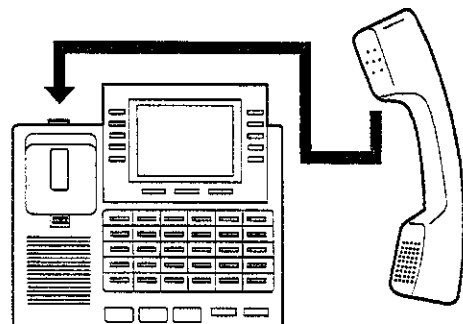
- 5** Insert the included telephone line and handset cords. (Ensure the cords are inserted in the grooves to prevent damage to the connectors.)



- 6** Mount the unit on the wall.



**To temporarily place the handset down during a conversation, hook it over the top edge of the phone as shown.**

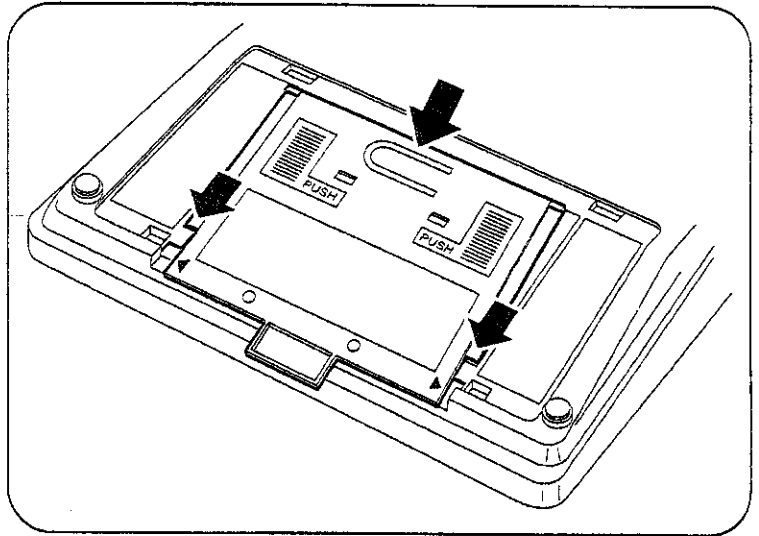


\* The illustrations used in this page are a KX-T7436.

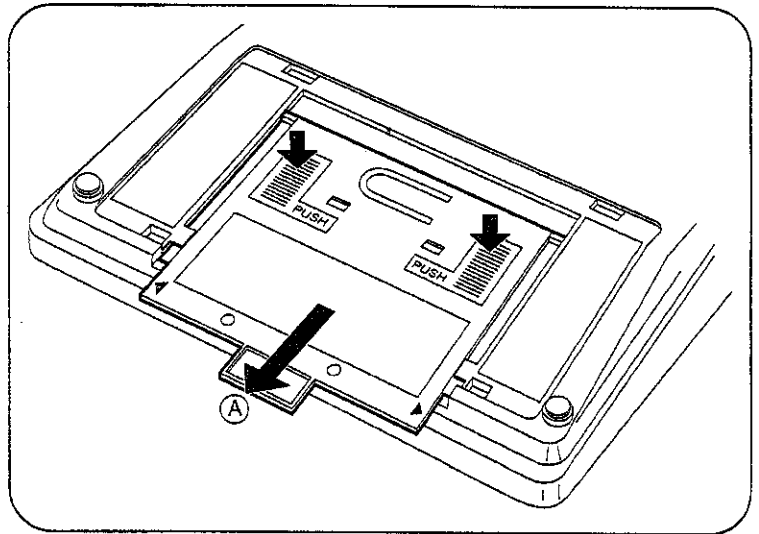
# Installing the Card Holder

The KX-T7425 is equipped with a card holder with memory station card. Follow the instructions below to install the card holder to the unit.

- 1 Place the card holder edges so that they can be inserted under the slide rails on the unit.

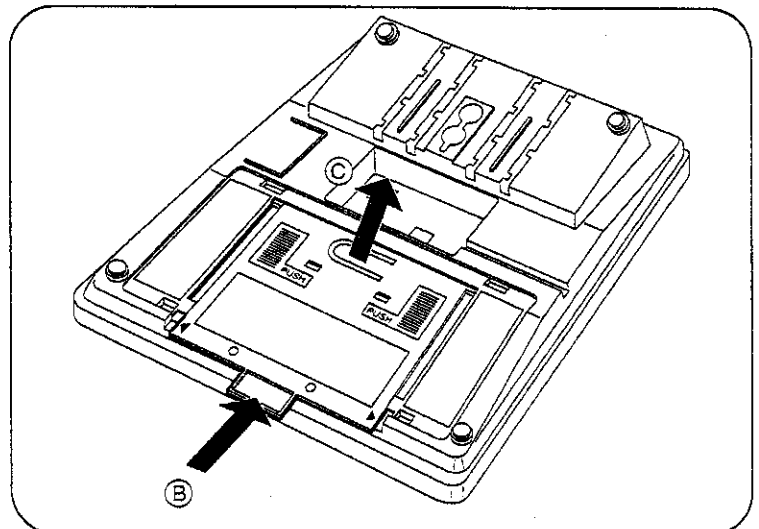


- 2 While pushing on the areas marked "PUSH", insert the edges of the holder under the slide rails and then slide in the direction of arrow (A).



## Remove the card holder:







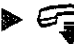


























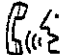
Push the card holder in the direction of arrow (B). Then, while pressing on the tab, pull the top of the holder in the direction of arrow (C).



# Features List

Desired Function	Operation	
Setting Absent Message	▶ <b>7 5 0</b> ▶ message no. ▶	
Account Code Entry	▶ <b>4 9</b> ▶ account code + <b>#</b> ▶ <b>9</b> /  ▶ phone no.	
Sending a Call Waiting tone (BSS)	<b>1</b> ▶ Wait for an answer. ▶	
Forwarding a call	▶  ▶ <div style="border: 1px dashed black; padding: 5px; display: inline-block;"> <p><b>All Calls</b> <b>2</b> ▶ extension no.</p> <p><b>Busy</b> <b>3</b> ▶ extension no.</p> <p><b>No Answer</b> <b>4</b> ▶ extension no.</p> <p><b>Busy / No Answer</b> <b>5</b> ▶ extension no.</p> <p><b>To Outside Line</b> <b>6 9</b> ▶ phone no. ▶ <b>#</b></p> <p><b>Follow Me</b> <b>7</b> ▶ your extension no.</p> <p><b>Cancel</b> <b>0</b></p> <p><b>Cancel Follow Me</b> <b>8</b> ▶ your extension no.</p> </div>	
Holding a call	<b>Holding</b> ▶	<b>To retrieve a call at the holding extension</b> ▶  ▶
Holding a call exclusively	<b>Holding</b> ▶  ▶	<b>To retrieve a call on exclusive hold</b> ▶  ▶
Parking a call in the system	▶ <b>5 2</b> ▶ parking zone no. ▶	
Picking up a call	▶ <b>4 0</b> ▶	
Transferring a call	▶ <div style="display: inline-block; vertical-align: middle;"> <p>extension no. to an extension</p> <p> phone no. to an external party</p> </div> ▶  ▶  ▶  Announce.	
Call Waiting	▶ <div style="display: inline-block; vertical-align: middle;"> <p><b>7 3 1 1</b> Set</p> <p><b>7 3 1 0</b> Cancel</p> </div> ▶	
Three-party conference	▶ third party's no. ▶  ▶	

# Features List

Desired Function		Operation								
Paging		 ► <b>3 3 *</b> All extensions & external speaker ►  Announce.								
Do Not Disturb (DND)		 ►  ► <table border="1" data-bbox="738 382 950 491"> <tr> <td><b>1</b></td> <td>Set</td> </tr> <tr> <td><b>0</b></td> <td>Cancel</td> </tr> </table> ► 	<b>1</b>	Set	<b>0</b>	Cancel				
<b>1</b>	Set									
<b>0</b>	Cancel									
Locking your extension		 ► <table border="1" data-bbox="625 524 1063 633"> <tr> <td><b>7 7</b></td> <td>lock code</td> <td>lock code</td> <td>Lock</td> </tr> <tr> <td><b>7 7</b></td> <td>lock code</td> <td></td> <td>Unlock</td> </tr> </table> ► 	<b>7 7</b>	lock code	lock code	Lock	<b>7 7</b>	lock code		Unlock
<b>7 7</b>	lock code	lock code	Lock							
<b>7 7</b>	lock code		Unlock							
Clearing the setting		 ► <b>7 9 0</b> ► 								
Message Waiting	Sender	<b>To leave a notification</b>  ►  <b>To cancel a notification</b>  ► <b>7 0 0</b> ► extension no. ► 								
	Receiver	<b>To call back</b>  ►  ►  <b>To clear all notifications</b>  ► <b>7 0 0</b> ► receiver's extension no. ► 								
Calling an operator		 ► <b>0</b> ► 								
Connecting an SLT in parallel		 ► <table border="1" data-bbox="625 1244 982 1354"> <tr> <td><b>3 9 1</b></td> <td>Set</td> </tr> <tr> <td><b>3 9 0</b></td> <td>Cancel</td> </tr> </table> ► 	<b>3 9 1</b>	Set	<b>3 9 0</b>	Cancel				
<b>3 9 1</b>	Set									
<b>3 9 0</b>	Cancel									
Calling a pre-programmed party (Pickup Dialing)		<b>To store</b>  ► <b>7 4 2</b> ► phone no. ► <b>#</b> ►  <b>To set / To cancel</b>  ► <table border="1" data-bbox="625 1506 982 1616"> <tr> <td><b>7 4 1</b></td> <td>Set</td> </tr> <tr> <td><b>7 4 0</b></td> <td>Cancel</td> </tr> </table> ►  <b>To dial</b> 	<b>7 4 1</b>	Set	<b>7 4 0</b>	Cancel				
<b>7 4 1</b>	Set									
<b>7 4 0</b>	Cancel									
Speed dialing (Station)		<b>To set</b>  ► <b>3 0</b> ► station speed dial no. ► phone no. ► <b>#</b> ►  <b>To dial</b>  ► <b>3 *</b> ► station speed dial no. ► 								
Speed dialing (System)		 ►  ► system speed dial no. ► 								

\* Some feature numbers can be changed by System Programming.  
For more details, consult with your dealer.

**For your future reference**

SERIAL NO. \_\_\_\_\_ DATE OF PURCHASE \_\_\_\_\_  
(found on the bottom of the unit)

NAME OF DEALER \_\_\_\_\_

DEALER'S ADDRESS \_\_\_\_\_

## Free Manuals Download Website

<http://myh66.com>

<http://usermanuals.us>

<http://www.somanuals.com>

<http://www.4manuals.cc>

<http://www.manual-lib.com>

<http://www.404manual.com>

<http://www.luxmanual.com>

<http://aubethermostatmanual.com>

Golf course search by state

<http://golfingnear.com>

Email search by domain

<http://emailbydomain.com>

Auto manuals search

<http://auto.somanuals.com>

TV manuals search

<http://tv.somanuals.com>