

Panasonic

Proprietary Telephones

Quick Reference Guide

Model KX-T7720E/KX-T7730E/KX-T7750E

Important Information

When using the KX-T7700 series, keep the following conditions in mind.

- If there is any problem, unplug the extension line and connect a known working phone. If the known working phone operates properly, have the defective phone repaired by a specified Panasonic Factory Service Centre. If the known working phone does not operate properly, check the PABX System and the internal extension wiring.
- Keep the unit away from heating appliances and electrical noise generating devices such as fluorescent lamps and motors.
- The unit should be kept free of dust, moisture and vibration, and should not be exposed to direct sunlight.
- Do not use benzine, thinner, or any abrasive powder to clean the cabinet. Wipe it with a soft cloth.
- Do not disassemble this unit. Dangerous electrical shock could result. The unit must only be disassembled and repaired by qualified service technicians.
- When a failure occurs which exposes any internal parts, disconnect the telephone line cord immediately and return the unit to a service centre.
- This unit is designed to be installed under controlled conditions of ambient temperature and a relative humidity not greater than 60%.
- Avoid installing the unit in damp or humid environments, such as bathrooms or swimming pools.
- Do not push the PAUSE button more than twice following the initial access digit (or digits). Failure to comply with this requirement may result in unsatisfactory operation.
- 999 or 112 can be dialled on the product after accessing the CO line for the purpose of making outgoing calls to the BT emergency (999) and (112) services.

WARNING:

TO PREVENT FIRE OR SHOCK HAZARD, DO NOT EXPOSE THIS PRODUCT TO RAIN OR ANY TYPE OF MOISTURE.

THIS HANDSET EARPIECE IS MAGNETISED AND MAY RETAIN SMALL FERROUS OBJECTS.

IMPORTANT NOTICE:

Under power failure conditions, this telephone may not operate. Please ensure that a separate telephone, not dependent on local power, is available for use in an emergency.

Notes:

- In this manual, the suffix of each model number is omitted.
- For further information, refer to the Main Unit/PABX Manuals.








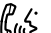

Features List

Outside (CO) Line button
 Off-hook
 On-hook
 Feature number
 Talk


* "Location of Controls" is shown on page 8.

Desired Function	Operation
Making Calls	
Calling	<p>To an extension ► ► </p> <p>To an external party ► ► ► </p>
Redial	► ►
One-Touch Dialling	<p>To program</p> <p> ► ► </p> <p>(Check the type of your Main Unit.)</p> <p> ► ► ► </p> <hr/> <p>To dial</p> <p> ► - assigned as a One-touch dialling button ► </p>
Calling an operator	► ►
Speed Dialling (Personal)	<p>To set</p> <p> ► ► ► </p> <p>(Check the type of your Main Unit.)</p> <p> ► ► </p> <hr/> <p>To dial</p> <p> ► ► ► </p> <p>(Check the type of your Main Unit.)</p>
Speed Dialling (System)	<p>To dial</p> <p> ► ► ► </p>

Features List

Desired Function	Operation	
Receiving Calls		
Handsfree answerback (KX-T7720/7730 only)	<i>While on-hook</i> 	
Picking up a call	<div style="border: 1px dashed black; padding: 10px;"> <p>Outside (CO) Line (KX-TD816/1232 only)</p> <p>4 *</p> <p>Directed</p> <p> <input type="checkbox"/> 4 ▶ extension no. <input type="checkbox"/> KX-TA624 <input type="checkbox"/> 4 1 ▶ extension no. <input type="checkbox"/> KX-TD816/1232 </p> <p>(Check the type of your Main Unit.)</p> <p>Group</p> <p>4 0</p> </div>	
When the Dialed Extension is Busy/No Answer		
Automatic Callback Busy	To set <i>While hearing a busy tone</i> 6 ▶ 	To call <i>If you hear callback ringing</i> 
Message Waiting	Sender	<p>To leave a notification</p> <p> ▶ </p> <hr/> <p>To cancel a notification</p> <p> <input type="checkbox"/> KX-TA624 <input type="checkbox"/> KX-TD816/1232 7 0 0 ▶ extension no. </p> <p>(Check the type of your Main Unit.)</p>
	Receiver	<p>To call back</p> <p> ▶  ▶ </p> <hr/> <p>To clear all notifications</p> <p> ▶ 7 0 0 ▶</p> <p> <input type="checkbox"/> # <input type="checkbox"/> KX-TA624 <input type="checkbox"/> receiver's extension no. <input type="checkbox"/> KX-TD816/1232 </p> <p>(Check the type of your Main Unit.)</p>

Features List

Desired Function	Operation	
When the Dialed Extension is Busy/No Answer		
Call Waiting	Sender	<p><i>While hearing a busy tone</i></p> <div style="display: flex; align-items: center;"> <div style="border: 1px solid black; padding: 5px; margin-right: 10px;"> <input type="checkbox"/> 2 KX-TA624 <input type="checkbox"/> 1 KX-TD816/1232 </div> <div style="margin-right: 10px;">▶ Wait for an answer. ▶</div>  </div> <p>(Check the type of your Main Unit.)</p>
	Receiver	<div style="border: 1px dashed black; padding: 10px;"> <input type="checkbox"/> KX-TA624 For outside calls <div style="display: flex; align-items: center; margin-bottom: 5px;"> <div style="border: 1px solid black; padding: 2px 5px; margin-right: 5px;">7</div> <div style="border: 1px solid black; padding: 2px 5px; margin-right: 5px;">3</div> <div style="border: 1px solid black; padding: 2px 5px; margin-right: 5px;">1</div> <div style="border: 1px solid black; padding: 2px 5px; margin-right: 5px;">1</div> <div style="border: 1px solid black; padding: 2px 5px; margin-right: 5px;">#</div> Set </div> <div style="display: flex; align-items: center; margin-bottom: 5px;"> <div style="border: 1px solid black; padding: 2px 5px; margin-right: 5px;">7</div> <div style="border: 1px solid black; padding: 2px 5px; margin-right: 5px;">3</div> <div style="border: 1px solid black; padding: 2px 5px; margin-right: 5px;">1</div> <div style="border: 1px solid black; padding: 2px 5px; margin-right: 5px;">0</div> <div style="border: 1px solid black; padding: 2px 5px; margin-right: 5px;">#</div> Cancel </div> </div> For intercom calls <div style="display: flex; align-items: center; margin-bottom: 5px;"> <div style="border: 1px solid black; padding: 2px 5px; margin-right: 5px;">7</div> <div style="border: 1px solid black; padding: 2px 5px; margin-right: 5px;">3</div> <div style="border: 1px solid black; padding: 2px 5px; margin-right: 5px;">2</div> <div style="border: 1px solid black; padding: 2px 5px; margin-right: 5px;">1</div> <div style="border: 1px solid black; padding: 2px 5px; margin-right: 5px;">#</div> Set </div> <div style="display: flex; align-items: center; margin-bottom: 5px;"> <div style="border: 1px solid black; padding: 2px 5px; margin-right: 5px;">7</div> <div style="border: 1px solid black; padding: 2px 5px; margin-right: 5px;">3</div> <div style="border: 1px solid black; padding: 2px 5px; margin-right: 5px;">2</div> <div style="border: 1px solid black; padding: 2px 5px; margin-right: 5px;">0</div> <div style="border: 1px solid black; padding: 2px 5px; margin-right: 5px;">#</div> Cancel </div>

7

3

1

1

Set

7

3

1

0

Cancel

HOLD

▶

CO




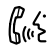








/

INTERCOM







▶



Features List

Desired Function	Operation
Useful Features	
Paging	<p>To page</p> <p>All extensions <input type="checkbox"/> KX-TA624 <input type="checkbox"/> KX-TD816/1232 [3 3 0]</p> <p>Group [3 3] group no.</p> <p>All external speakers <input type="checkbox"/> KX-TA624 <input type="checkbox"/> KX-TD816/1232 [3 4] [3 2 0]</p> <p>Specific external speaker (KX-TD816/1232 only) [3 2] external speaker no.</p> <p>All extensions & external speakers [3 3 *] (Check the type of your Main Unit.)</p> <p>To answer an announced page</p> <p>Through a telephone speaker [4 3]</p> <p>Through an external speaker (KX-TD816/1232 only) [4 2] external speaker no.</p> <p>  Announce.</p> <p> </p>
Three-party conference	<p>  [third party's no.]  </p>
Setting Absent Message	<p> [7 5] [message no.] [#] <input type="checkbox"/> KX-TA624</p> <p>[7 5 0] [message no.] <input type="checkbox"/> KX-TD816/1232</p> <p>(Check the type of your Main Unit.)</p> <p>[parameter (if required)] </p>
Log-In/Log-Out	<p> <input type="checkbox"/> KX-TA624</p> <p>[7 3 6 0 #] For Log-In [7 3 6 1 #] For Log-Out</p> <p><input type="checkbox"/> KX-TD816/1232</p> <p>[4 5 1] For Log-In [4 5 0] For Log-Out</p> <p>(Check the type of your Main Unit.)</p> <p></p>

Features List

Desired Function	Operation
Useful Features	
<p>Forwarding a call</p>   	<div style="border: 1px dashed black; padding: 10px;"> <input type="checkbox"/> KX-TA624 <ul style="list-style-type: none"> All calls <input type="text" value="1"/> extension no. # Busy/No answer <input type="text" value="2"/> extension no. # To an outside line <input type="text" value="3"/> line access code phone no. # Follow Me <input type="text" value="5"/> your extension no. # Cancel Follow Me <input type="text" value="8"/> your extension no. # Cancel <input type="text" value="0"/> # <input type="checkbox"/> KX-TD816/1232 <ul style="list-style-type: none"> All calls <input type="text" value="2"/> extension no. Busy <input type="text" value="3"/> extension no. No answer <input type="text" value="4"/> extension no. Busy/No answer <input type="text" value="5"/> extension no. To an outside line <input type="text" value="6"/> line access code phone no. # Follow Me <input type="text" value="7"/> your extension no. Cancel Follow Me <input type="text" value="8"/> your extension no. Cancel <input type="text" value="0"/> </div> <p>(Check the type of your Main Unit.)</p>
<p>Do Not Disturb (DND)</p>   	<div style="border: 1px dashed black; padding: 10px;"> <input type="checkbox"/> KX-TA624 <ul style="list-style-type: none"> <input type="text" value="4"/> Set <input type="text" value="0"/> Cancel # <input type="checkbox"/> KX-TD816/1232 <ul style="list-style-type: none"> <input type="text" value="1"/> Set <input type="text" value="0"/> Cancel </div> <p>(Check the type of your Main Unit.)</p>

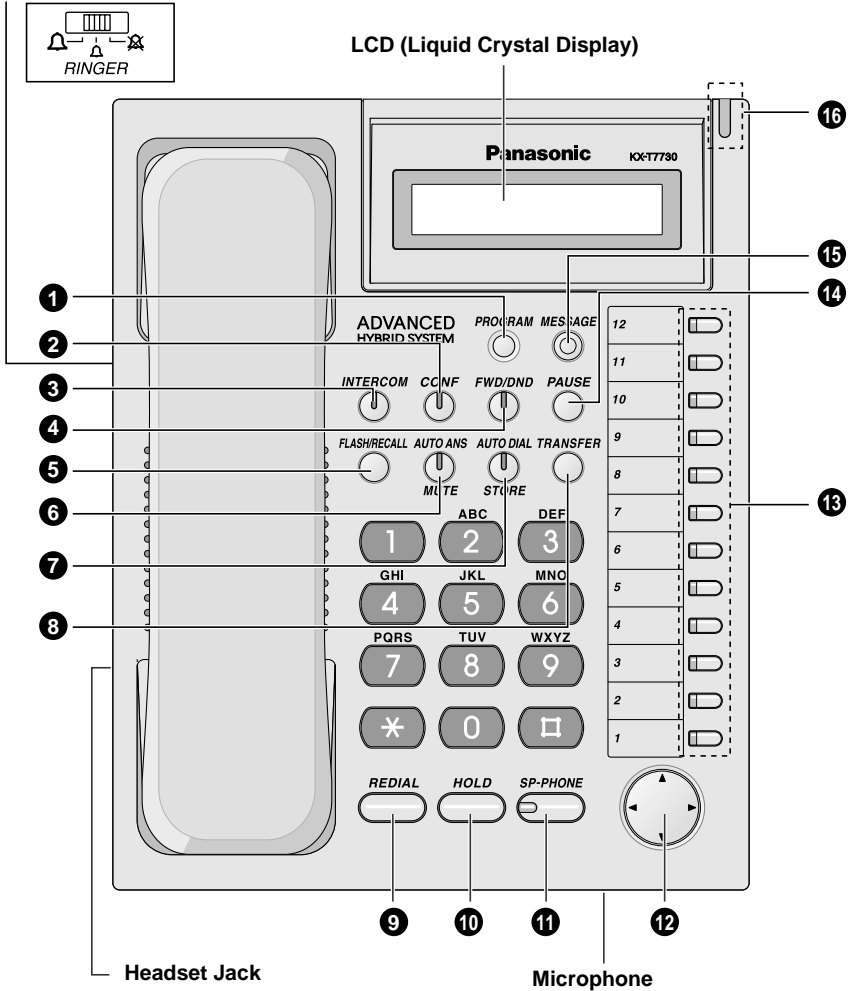
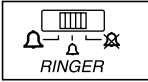
Features List

Desired Function	Operation
Useful Features	
Locking your extension	<div style="border: 1px dashed black; padding: 10px;"> <p><input type="checkbox"/> KX-TA624</p> <p> <input type="button" value="7"/> <input type="button" value="7"/> <input type="button" value="lock code"/> <input type="button" value="lock code"/> <input type="button" value="#"/> Lock <input type="button" value="7"/> <input type="button" value="7"/> <input type="button" value="lock code"/> <input type="button" value="#"/> Unlock </p> <p><input type="checkbox"/> KX-TD816/1232</p> <p> <input type="button" value="7"/> <input type="button" value="7"/> <input type="button" value="lock code"/> <input type="button" value="lock code"/> Lock <input type="button" value="7"/> <input type="button" value="7"/> <input type="button" value="lock code"/> Unlock </p> <p>(Check the type of your Main Unit.)</p> </div>
Clearing the setting	<div style="border: 1px solid black; padding: 10px;"> <p> <input type="button" value="7"/> <input type="button" value="9"/> <input type="button" value="#"/> <input type="checkbox"/> KX-TA624 <input type="button" value="7"/> <input type="button" value="9"/> <input type="button" value="0"/> <input type="checkbox"> KX-TD816/1232 </input></p> <p>(Check the type of your Main Unit.)</p> </div>

* Consult your dealer for more details.

Location of Controls

RINGER Volume Selector




- * The microphone is not available for KX-T7750 users.
- * The display and headset jack are only available for KX-T7730 users.
- * Headset (not included)
 Recommendable: KX-TCA87, KX-TCA89
 Not available: KX-T7090

-
- 1 **PROGRAM:** Used to enter and exit the programming mode. (The system programming mode is available only when the main unit is a KX-TA624.)
 - 2 **CONF (Conference):** Used to establish a multiple party conversation.
 - 3 **INTERCOM:** Used to make or receive intercom calls.
 - 4 **FWD/DND (Call Forwarding/Do Not Disturb):** Used to perform Call Forwarding or Do Not Disturb.
 - 5 **FLASH/RECALL:** Used to disconnect the current call and make another call without hanging up.
 - 6 **AUTO ANS (Auto Answer) (KX-T7720/7730):** Used to receive an incoming call in the hands-free mode.
MUTE (KX-T7720/7730): Used to mute the microphone during a conversation.
VOICE CALL (KX-T7750): Used to monitor an intercom call automatically.
 - 7 **AUTO DIAL/STORE:** Used for speed dialling or storing program changes.
 - 8 **TRANSFER:** Used to transfer a call to another party.
 - 9 **REDIAL (ordinarily):** Used to redial.
 - 10 **HOLD:** Used to place a call on hold.
 - 11 **SP-PHONE (KX-T7720/7730):** Used for the handsfree operation.
MONITOR (KX-T7750): Used for handsfree dialling. You can monitor the party's voice handsfree.
 - 12 **NAVIGATOR KEY (KX-T7730):** Used to adjust the volume and the display contrast or select desired items for each function.
VOLUME KEY (KX-T7720/7750): Used to adjust the volume.
 - 13 **Flexible Outside (CO) Line Button:** Used to make or receive an outside call. Pressing this button seizes an idle outside line automatically. (Button assignment is required.) Also used as the desired function buttons. (Button assignment is required.)
 - 14 **PAUSE:** Used to insert a pause during dialling.
 - 15 **MESSAGE:** Used to leave a message waiting indication or call back the party who left the message waiting indication.
 - 16 **Message/Ringer Lamp:** The Message/Ringer lamp informs you visually that you have a message or a call.
 - When you receive a call, the lamp flashes depending on the ringing pattern. When someone has left you a message, the lamp is lit continuously.
 - When the ringing pattern is set to Single (Slow flash), Double (Moderate flash), or Triple (Rapid flash) in your PABX, the lamp flashes. When the other ringing patterns are set in your PABX, the lamp may not flash. (e.g., S-Double, Call Waiting Tone1).

Initial Settings

◆ Speaker volume *


While in on-hook or during a conversation



Press **SP-PHONE**. Press **Up** or **Down**.

◆ Handset/Headset volume *


While using a handset or headset



Press **Up** or **Down**.

◆ Ringer volume

While in on-hook or receiving a call




Slide the lever of the **RINGER** Volume Selector to the desired setting (**HIGH/LOW/OFF**).

◆ Display contrast *

KX-T7730

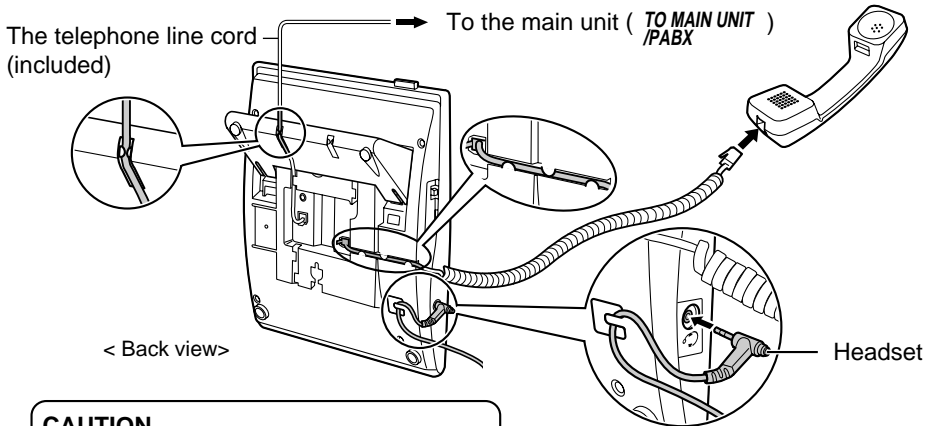
While in on-hook or receiving a call



Press **Left** or **Right**.

* The above settings may return to default settings if the telephone line cord is disconnected or the main unit's power is interrupted.

Connection

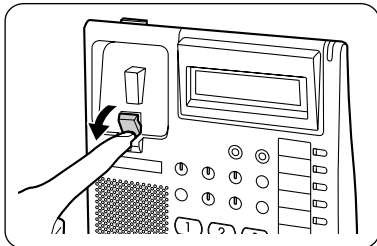


CAUTION

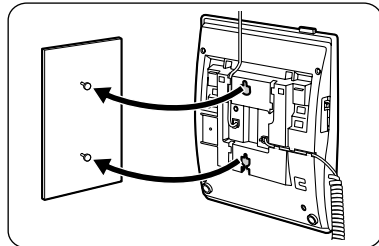
Ensure the cord is inserted in the groove to prevent damage to the connector.

Wall Mounting

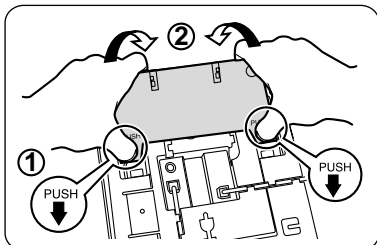
1 Pull down the handset hook until it locks, so the tab holds the handset.



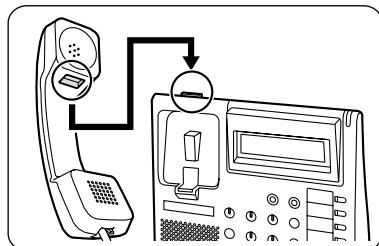
3 Mount the unit on the wall.



2 Remove the attached stand.



To temporarily place the handset down during a conversation, hook it over the top edge of the phone as shown.



* The illustrations used in this page are a KX-T7730.

Other Information:

- This unit is capable of being used in conjunction with hearing aids fitted with inductive coil pick-ups. The handset should be held as for normal conversation. For operation the hearing aid should be set to its "T" position or as directed in the operating instructions for the hearing aid.



Included Accessories:

Handset	1
Telephone line cord	1
Handset cord	1



This product is intended to be connected to Panasonic KX series PABX only.
This product complies with the essential requirements of the Directive 1999/5/EC Radio and telecommunications terminal equipment directive.
A copy of the manufacturers declaration of conformity to the essential requirements of the R&TTE directive is available at the following web address: <http://doc.panasonic-tc.de>

Panasonic Business Systems U.K.

Panasonic House, Willoughby Road, Bracknell, Berkshire RG12 8FP

© 2002 Kyushu Matsushita Electric Co., Ltd. All Rights Reserved.

Free Manuals Download Website

<http://myh66.com>

<http://usermanuals.us>

<http://www.somanuals.com>

<http://www.4manuals.cc>

<http://www.manual-lib.com>

<http://www.404manual.com>

<http://www.luxmanual.com>

<http://aubethermostatmanual.com>

Golf course search by state

<http://golfingnear.com>

Email search by domain

<http://emailbydomain.com>

Auto manuals search

<http://auto.somanuals.com>

TV manuals search

<http://tv.somanuals.com>